



METAL-FACH



**SELF-LOADING BALE WRAPPER
Z598**

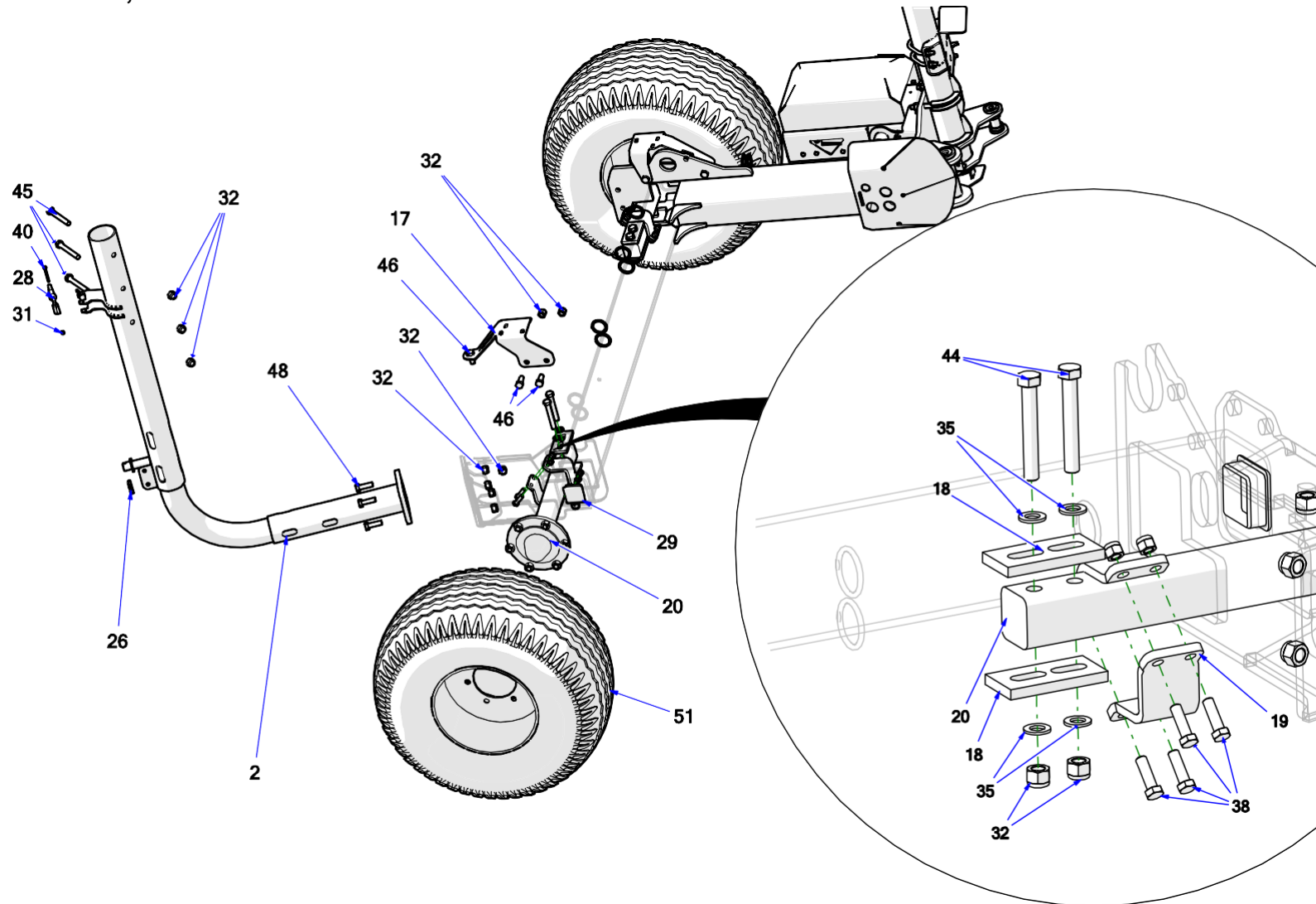
**SPARE PARTS CATALOGUE
REV. I, OCTOBER 2017 EN**

TABLE OF CONTENTS

1	MAIN FRAME.....	4
1.1	MAIN FRAME, COMPLETE - VIEW 1	4
1.2	MAIN FRAME, COMPLETE - VIEW 2	5
2	WORK TABLE.....	8
2.1	WORK TABLE, COMPLETE – VIEW 1	8
3	RETAINING CONE	12
4	DRAWBAR, COMPLETE	14
5	FILM FEEDER, COMPLETE	16
6	FILM FEEDER – MOUNTING	19
7	WRAPPING MODULE.....	21
7.1	WRAPPING MODULE – VIEW 1.....	21
8	FILM CUTTER	25
9	LOADING ARM	28
10	ELECTRICS.....	30
10.1	ELECTRIC SYSTEM - CONTROL	30
10.2	LIGHTS (VIEW 1).....	32
10.3	LIGHTS (VIEW 2).....	34
11	ELECTRIC SYSTEM - LIGHTS (VIEW 3).....	36
12	HYDRAULIC SYSTEM – POWER SUPPLY.....	38
13	HYDRAULIC SYSTEM - DRAWBAR, WORK TABLE, LOADING ARM.....	40
14	HYDRAULIC SYSTEM - FILM CUTTER, FILM FEEDER	42
15	HYDRAULIC SYSTEM - WRAPPING MODULE MOTOR, WORK TABLE MOTOR	44

1 MAIN FRAME

1.1 MAIN FRAME, COMPLETE - VIEW 1



1.2 MAIN FRAME, COMPLETE - VIEW 2

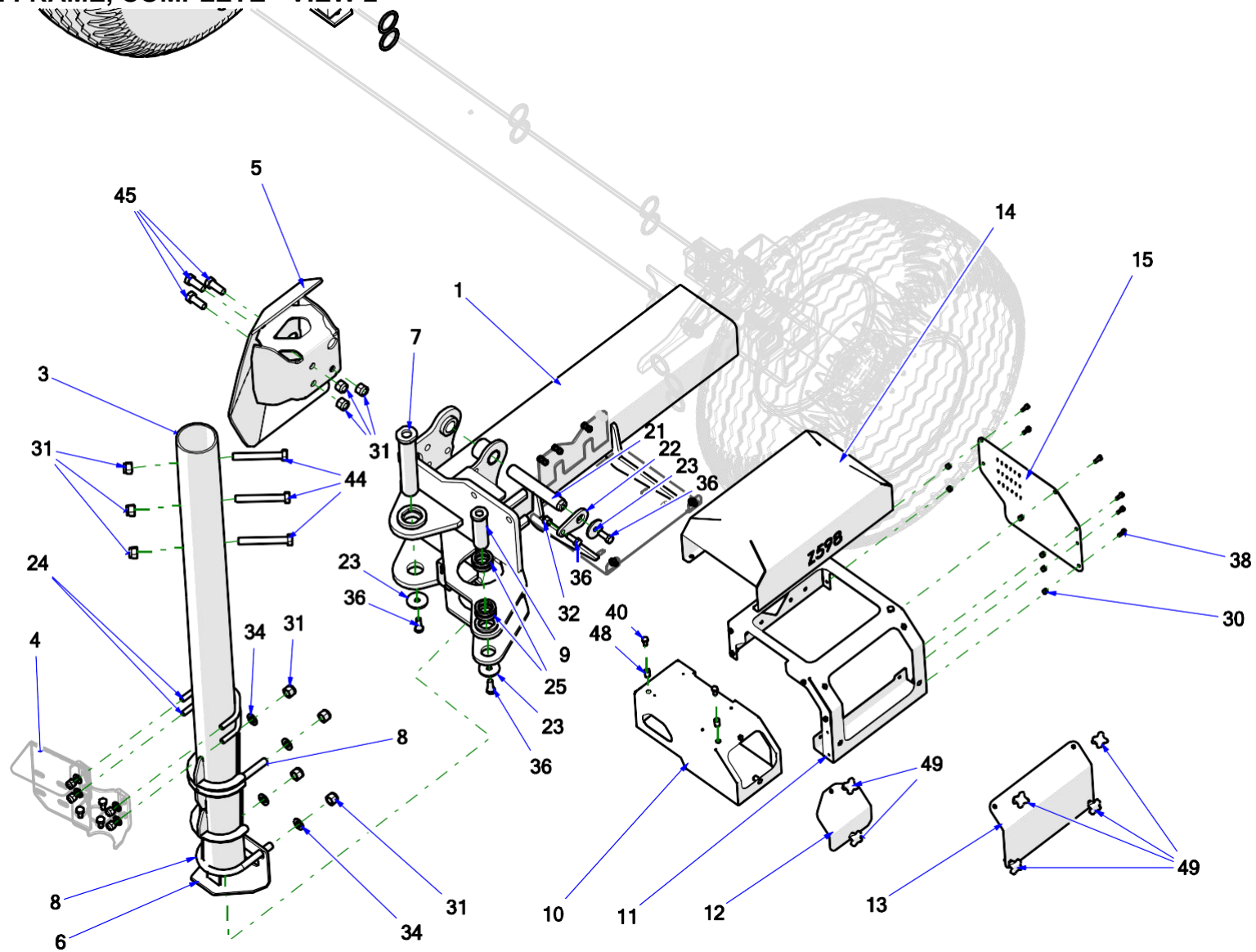


Table 1. Main frame

No.	Index	Name	Volume
1	Z598 01.01.00	Main frame, welded	1
2	Z598 01.04.00	Mast support II	1
3	Z598 01.02.00	Mast support I	1
4	Z598 01.20.10	Bracket for filter and controller	1
5	Z598 01.05.00	Bale bumper	1
6	Z598 01.16.00	Cable guard, complete	1
7	Z598 01.11.00	Drawbar pin, complete	1
8	Z598 01.00.03	Mast bracket clamp	2
9	Z598 01/12.00	Drawbar cylinder pin I	1
10	Z598 01.15.01	Computer screen	1
11	Z598 01.14.01	Separator device guard	1
12	Z598 01.00.16	Computer screen cover	1
13	Z598 01.00.13	Manifold guard cover	1
14	Z598 01.00.15	Upper cover	1
15	Z598 01.00.14	Side cover	1
16	Z598 01.00.12	Left-side cutter support	1
17	Z598 01.00.11	Right-side cutter support	1
18	Z598 01.00.05	Axle spacer plate	4

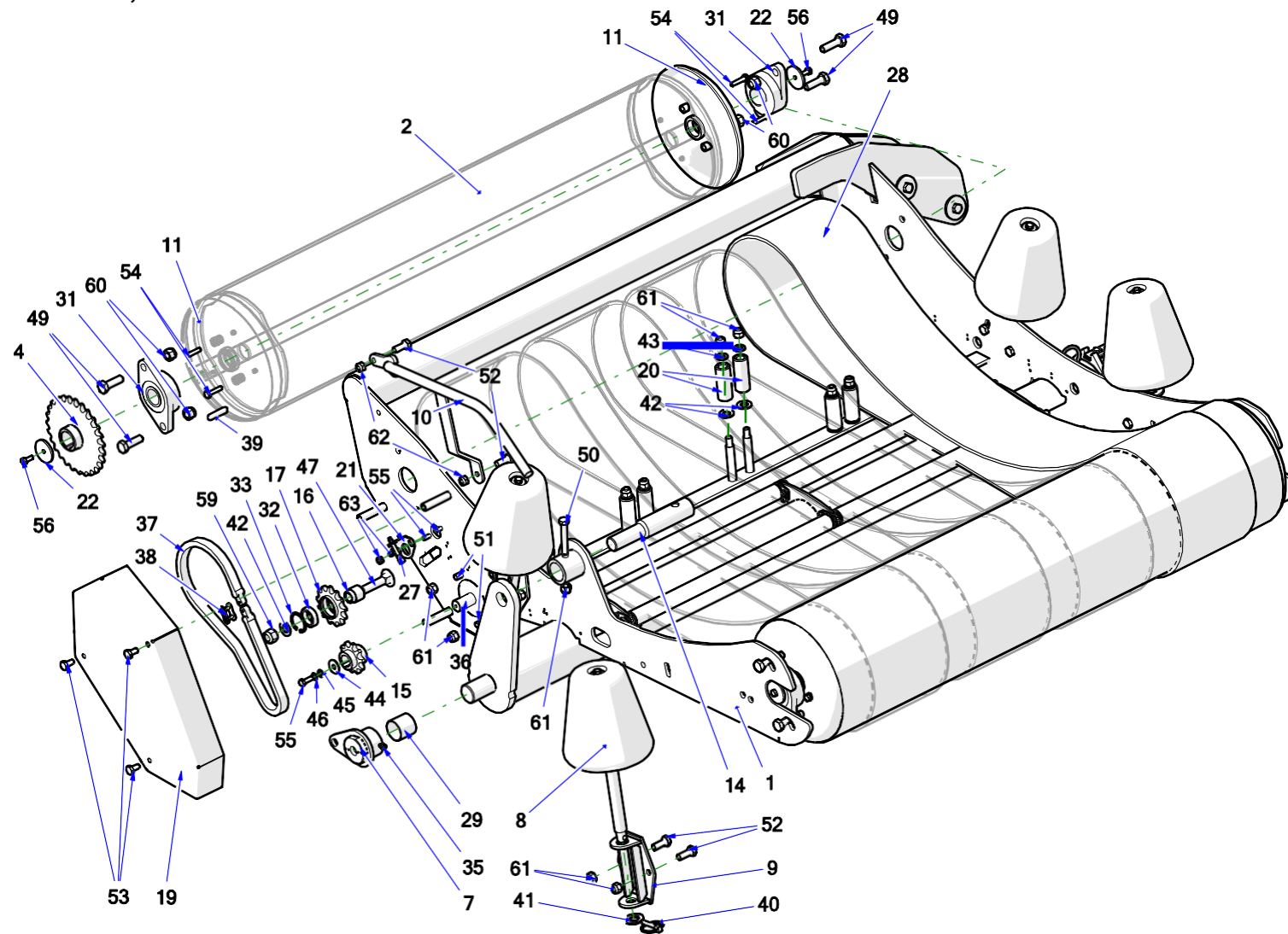
No.	Index	Name	Volume
19	Z598 01.00.07	Axle spacer clamping ring	2
20	Z598 01.03.00	Axle shaft, complete	2
21	Z598 01.13.01	Table cylinder pin I	1
22	Z598 01.13.02	Pin locking ear	1
23	Z598 01.00.04	Pin locking washer	1
24	Z598 01.20.02	Bracket clamp	2
25	Z598 01.00.06	Spacer ring I	4
26	23PR8	Cotter pin with a ring 8	1
27	Z598 01.00.04	Pin locking washer	2
28	POD-TSZ-000129	Lever support	1
29	POD-TSZ-000104	70 x 70 profile end cap	2
30	23NS8OC	Self-locking nut M8 galv. 82175 8 82175 8	4
31	23NS6OC	Self-locking nut M6 galv. 82175 8 82175 8	13
32	23NS16OC	Self-locking nut M16 galv. 82175 8 82175 8	29
33	23NS12OC	Self-locking nut M12 galv. 82175 8 82175 8	13
34	23P12OC	Round washer 12 galv. 82005	4
35	23P16OOC	Round washer 16 galv. 82005 82005	12

No.	Index	Name	Volume
36	23P6OC030	Round washer 6 galv. coated 82030	2
37	23S12/30OC 8.8	Bolt 12 x 30 galv. 8.8 82105 82105	4
38	23S12/40OC	Bolt 12 x 40 galv. 8.8 82101 82101	8
39	23S6/16 8.8OC	Bolt 6 x 16 galv. 8.8 82105 82105 8.8	12
40	23S6/60OC 8.8	Bolt 6 x 60 galv. 8.8 82101 82101 8.8	1
41	23S8/16 8.8 82105 OC	Bolt 8 x 16 galv. 8.8 82105 82105	4
42	23S8/20OC 8.8	Bolt 8 x 20 galv. 8.8 82105 82105	4
43	23S10/20OC 8.8	Bolt 10 x 20 galv. 8.8 82105 82105	3

No.	Index	Name	Volume
44	23S16/110OC 8.8	Bolt 16 x 110 galv. 8.8 82101 82101	4
45	23S16/120 8.8 82101 OC	Bolt 16 x 120 galv. 8.8 82101 82101	6
46	23S16/40 8.8OC	Bolt 16 x 40 galv. 8.8 82105 82105	7
47	23S16/45OC	Bolt 16 x 45 galv. 8.8 82105 82105	4
48	23S16/50 8.8	Bolt 16 x 50 galv. 8.8 82101 82101	4
49	POD-ELZ-000558	Blind rivet nut M8 steel Hexagonal	10
50	POD-OGL-000259	Knob P2M8 x 20	6
51	25K400/60/15.3	400-60 15.5 x 13 wheel with ET20 rim	2

2 WORK TABLE

2.1 WORK TABLE, COMPLETE – VIEW 1



2.2 WORK TABLE, COMPLETE – VIEW 2

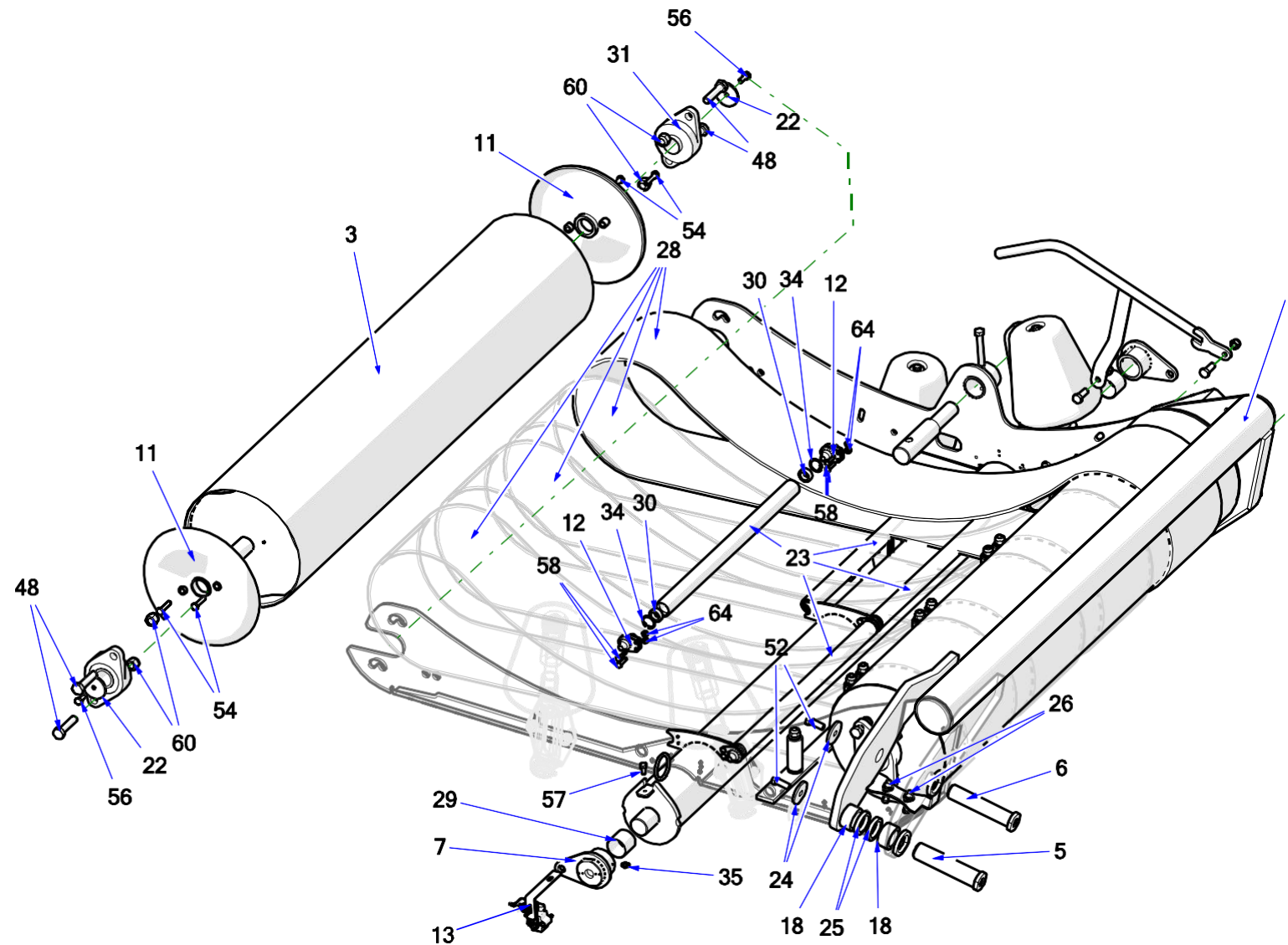


Table 2. Work table

No.	Index	Name	Volume
1	Z598 02.01.00	Work table frame	1
2	Z598 02.02.00	Front motor drum roller, complete	1
3	Z598 02.03.00	Rear drum, passive	1
4	Z598 02.04.00	Z-27 chain wheel, complete	1
5	Z598 02.05.00	Pin III complete	1
6	Z598 02.06.00	Pin V complete	1
7	Z598 02.08.00	Stud for table axis	2
8	Z598 02.09.00	Retaining cone, complete	4
9	Z598 02.10.00	Cone support complete	4
10	Z598 02.12.00	Chute complete	1
11	Z598 02.13.00	Drum cover, complete	4
12	Z598 02.15.00	Roller axle, complete	6
13	Z598 02.17.00	Compensator, complete	1
14	Z598 02.00.04	Table cylinder pin	1
15	Z598 02.00.05	Chain wheel Z-10	1
16	Z598 02.00.06	Tensioner sleeve	1
17	Z598 02.00.07	Chain wheel Z-13	1
18	Z598 02.00.08	Spacer sleeve I	2

No.	Index	Name	Volume
19	Z598 02.00.11	Table transmission guard	1
20	Z598 02.00.12	Belt side roller	8
21	Z598 02.00.13	Wheel sensor bracket	1
22	Z598 02.00.14	Drum axle washer	4
23	Z598 02.00.15	Roller pipe	4
24	Z598 01.00.04	Pin locking washer	2
25	Z598 01.00.06	Spacer ring I	2
26	POD-ELK-000347	BI4M12- AP6X-H1141 inductive sensor	2
27	POD-ELK-000348	Induction sensor NI4U-EG08-AP6X-H1341	1
28	POD-TSZ-000222	Z598 HX500-6 wrapper belt 3240 x 200 mm, thermal connection	4
29	POD-LOZ-000219	Sleeve GSM-4044-40	2
30	POD-LOZ-000284	Bearing 6001 2RS	8
31	POD-LOZ-000251	Bearing unit UCFL207	4
32	POD-LOZ-000252	Bearing 61905 2RS	1
33	23SW42	Circlip W42	1
34	POD-ELZ-000835	Circlip W28	8
35	23SM	Lubricating nipple M6 x 1.0 straight	2

No.	Index	Name	Volume
36	POD-HPZ-000186	OMR375 (dia.25 A2) hydraulic motor	1
37	POD-LAN-000110	Chain 12B1 47ogn	1
38	25LO12P	Chain link 12B1 R-1 3/4"	1
39	POD-ELZ-000610	Key 10 x 8 x 50	1
40	23PR8	Cotter pin with a ring 8	4
41	23P20OOC	Round washer 20 galv. 82005 82005	4
42	23P16OOC	Round washer 16 galv. 82005 82005	9
43	23P12OC	Round washer 12 galv. 82005	8
44	23P10 OC030	Round washer 10, galv. coated 82030 82030	1
45	23P8OOC	Round washer 8 galv. 82005 82005	1
46	23P8SPOC	Spring washer 8.2 galv. 82008 82008	1
47	POD-ELZ-000834	Carriage bolt 16 x 70 galv. 8.8 82406	1
48	23S14/60OC 8.8	Bolt 14 x 60 galv. 8.8 82101 82101	4
49	23S14/50 8.8 82105 OC	Bolt 14 x 50 galv. 8.8 82105 82105	4
50	POD-ELZ-000081	Bolt 12 x 75 galv. 8.8 82101	1
51	23S12/40OC	Bolt 12 x 40 galv. 8.8 82101 82101	2
52	23S12/30OC 8.8	Bolt 12 x 30 galv. 8.8 82105 82105	12

No.	Index	Name	Volume
53	23S10/20OC 8.8	Bolt 10 x 20 galv. 8.8 82105 82105	3
54	23S8/35OC 8.8	Bolt 8 x 35 galv. 8.8 82105 82105	8
55	23S8/25OC8.8	Bolt 8 x 25 galv. 8.8 82105 82105	3
56	23S8/20OC 8.8	Bolt 8 x 20 galv. 8.8 82105 82105	4
57	23S8/16 8.8 82105 OC	Bolt 8 x 16 galv. 8.8 82105 82105	1
58	23S6/25OC 105	Bolt 6 x 25 galv. 8.8 82105	12
59	23NS16OC	Self-locking nut M16 galv. 82175 8 82175 8	1
60	23NS14OC	Self-locking nut 14 galv. 82175 8 82175 8	8
61	23NS12OC	Self-locking nut 12 galv. 82175 8 82175 8	19
62	23NS10OC	Self-locking nut 10 galv. 82175 8 82175 8	2
63	23NS8OC	Self-locking nut M8 galv. 82175 8 82175 8	2
64	23NS6OC	Self-locking nut M6 galv. 82175 8 82175 8	12

3 RETAINING CONE

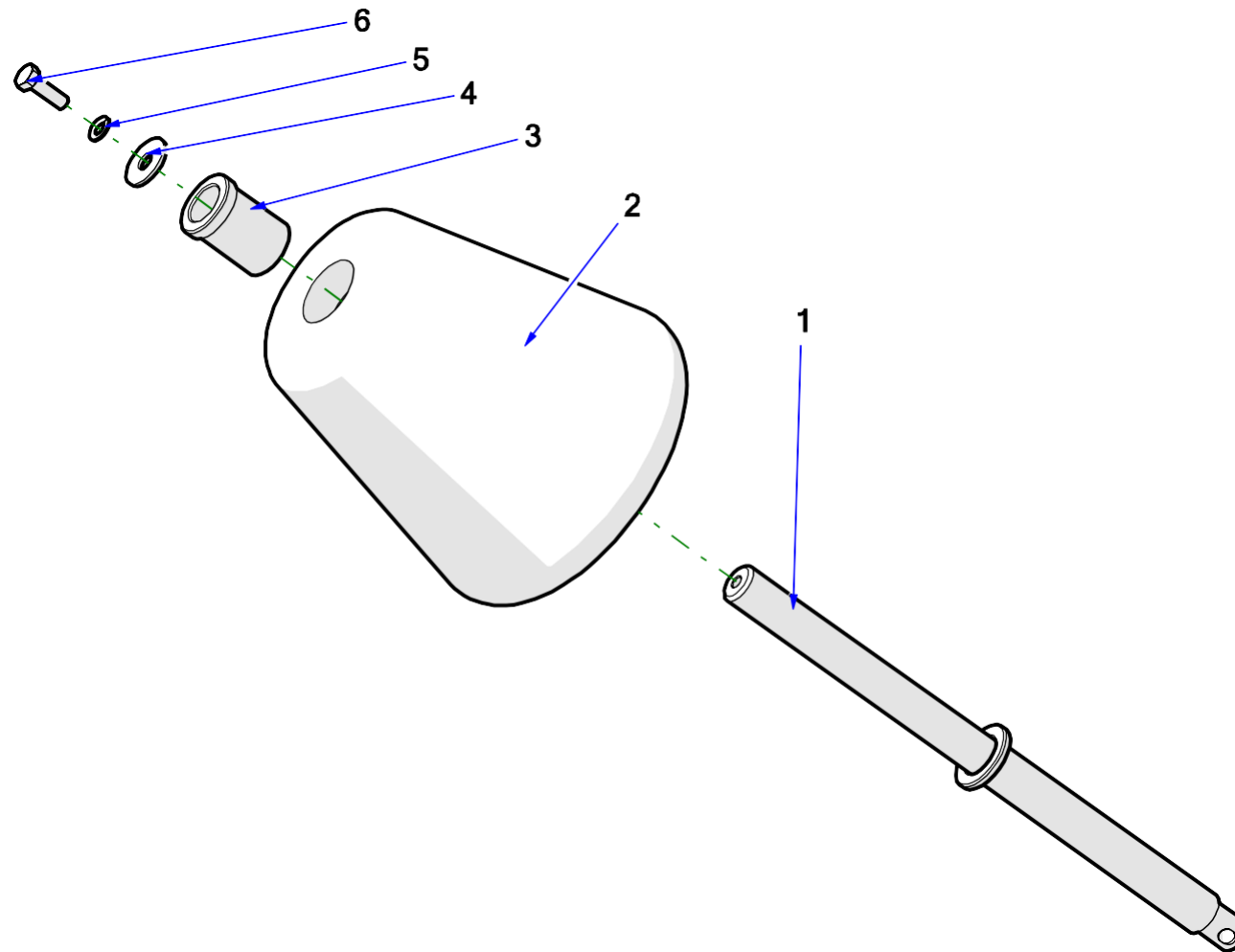


Table 3. Retaining cone

No.	Index/ Name	Description	Volume
1	Z598 02.09.100	Pulley axle complete	1
2	25KS	Bale wrapper cone wheel	1
3	Z598 02.09.01	Cone sleeve	1
4	23P10 OC030	Round washer 10, galv. coated 82030 82030	1
5	23P8SPOC	Spring washer 8.2 galv. 82008 82008	1
6	23S8/25OC8.8	Bolt 8 x 25 galv. 8.8 82105 82105	1

4 DRAWBAR, COMPLETE

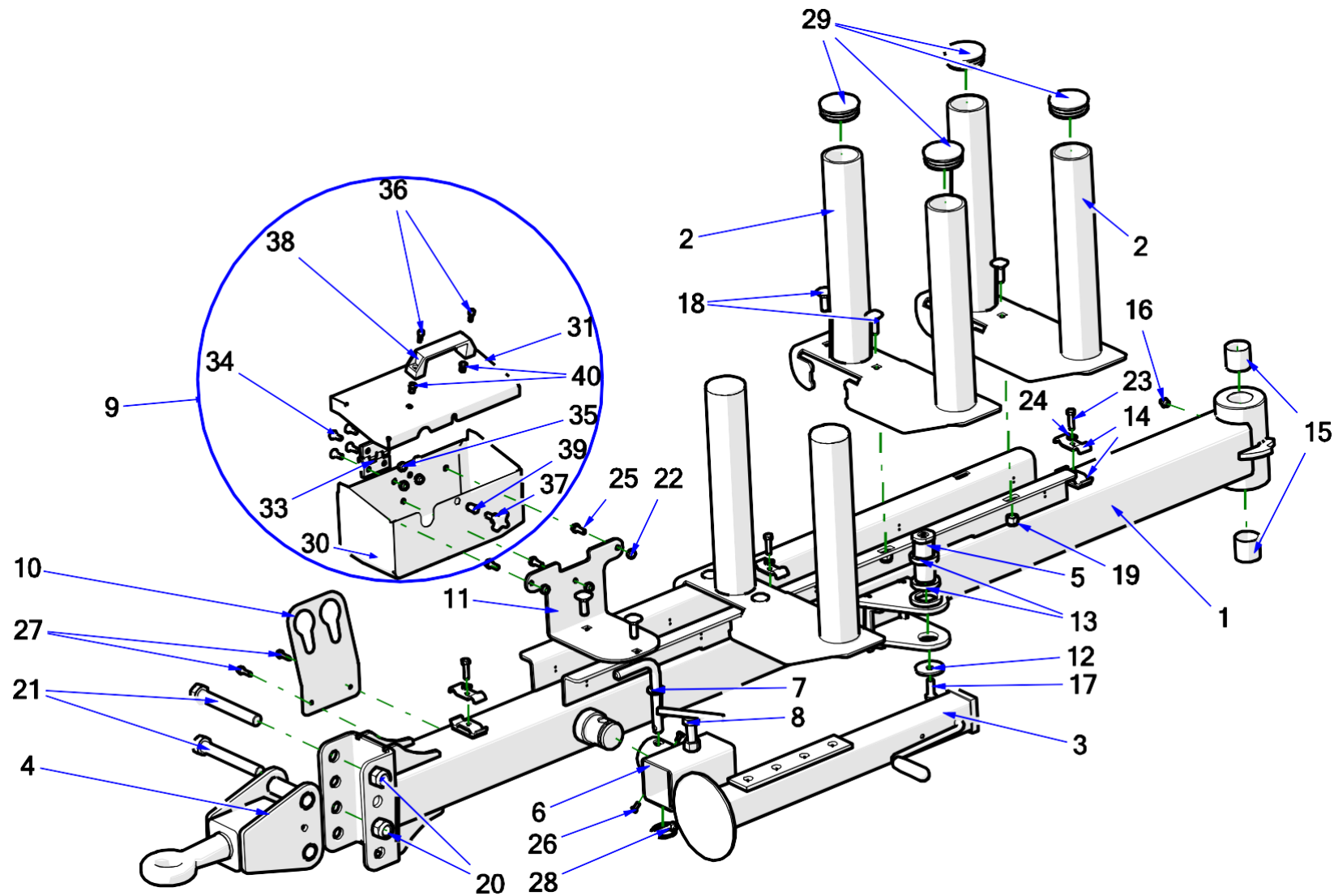


Table 4. Drawbar, complete

No.	Index	Name	Volume
1	Z598 03.01.00	Welded drawbar	1
2	Z598 03.02.00	Container for two rollers	3
3	Z598 03.03.00	Support foot	1
4	Z598 03.04.00	Rotary hitch	1
5	Z598 03.05.00	Drawbar cylinder pin II	1
6	Z598 03.06.00	Foot joint	1
7	Z598 03.07.00	Pin for joint	1
8	Z-237 01.28.00	Foot clamp	1
9	Z593-1E 06.06.00	Container, complete	1
10	Z598 03.00.01	Bracket for EURO plugs	1
11	Z598 03.00.02	Box bracket	1
12	Z598 01.00.04	Pin locking washer	1
13	Z598 01.00.06	Spacer ring I	2
14	Z-593 01.00.11	Hose clamp	6
15	POD-LOZ-000219	Sleeve GSM-4044-40	2
16	23SM10/1	Lubricating nipple M10 x 1.0 straight	1
17	23S12/30OC 8.8	Bolt 12 x 30 galv. 8.8 82105 82105	1
18	POD-ELZ-000486	Carriage bolt 12 x 35 galv. 8.8 82406	8
19	23NS12OC	Self-locking nut 12 galv. 82175 8 82175 8	8
20	23NS20OC 82175	Self-locking nut M20 galv. 82175 8 82175 8	2
21	POD-ELZ-000833	Bolt 20 x 150 galv. 8.8 82101	2

No.	Index	Name	Volume
22	23NS8OC	Self-locking nut M8 galv. 82175 8 82175 8	3
23	23S8/30OC 8.8	Bolt 8 x 30 galv. 8.8 82105 82105	3
24	23P8OOC	Round washer 8 galv. 82005 82005	3
25	23S8/20OC 8.8	Bolt 8 x 20 galv. 8.8 82105 82105	3
26	23S6/12OC 8.8	Bolt 6 x 12 galv. 8.8 82105 82105 8.8	2
27	POD-ELZ-000405	Self-drilling countersunk screw 6.3 x 25 galv. with key	2
28	23PR8	Cotter pin with a ring 8	1
29	POD-TSZ-000230	Round end cap, dia. 70 (Es-465601)	6
30	Z593-1E 06.06.10	Container I	1
31	Z593-1E 06.06.20	Container lid	1
32	Z593-1E 06.06.01	Hinge spacer	1
33	POD-OGL-000378	Hinge N272 CFM.60 SH-8	1
34	23W8/20OC	Screw 8 x 20 galv. 82208 8208	4
35	23NS8OC	Self-locking nut M8 galv. 82175 8 82175 8	4
36	POD-ELZ-000568	Allen bolt 6 x 16 galv. 8.8 82302	2
37	POD-OGL-000259	Knob P2M8 x 20	1
38	POD-OGL-000379	Holder N272 M.443-140-6-N-CH	1
39	POD-ELZ-000558	Blind rivet nut M8 steel Hexagonal	1
40	POD-ELZ-000001-1	M6 x 14 FE cylindrical blind rivet nut with rolled flange and knurled mandrel	2

5 FILM FEEDER, COMPLETE

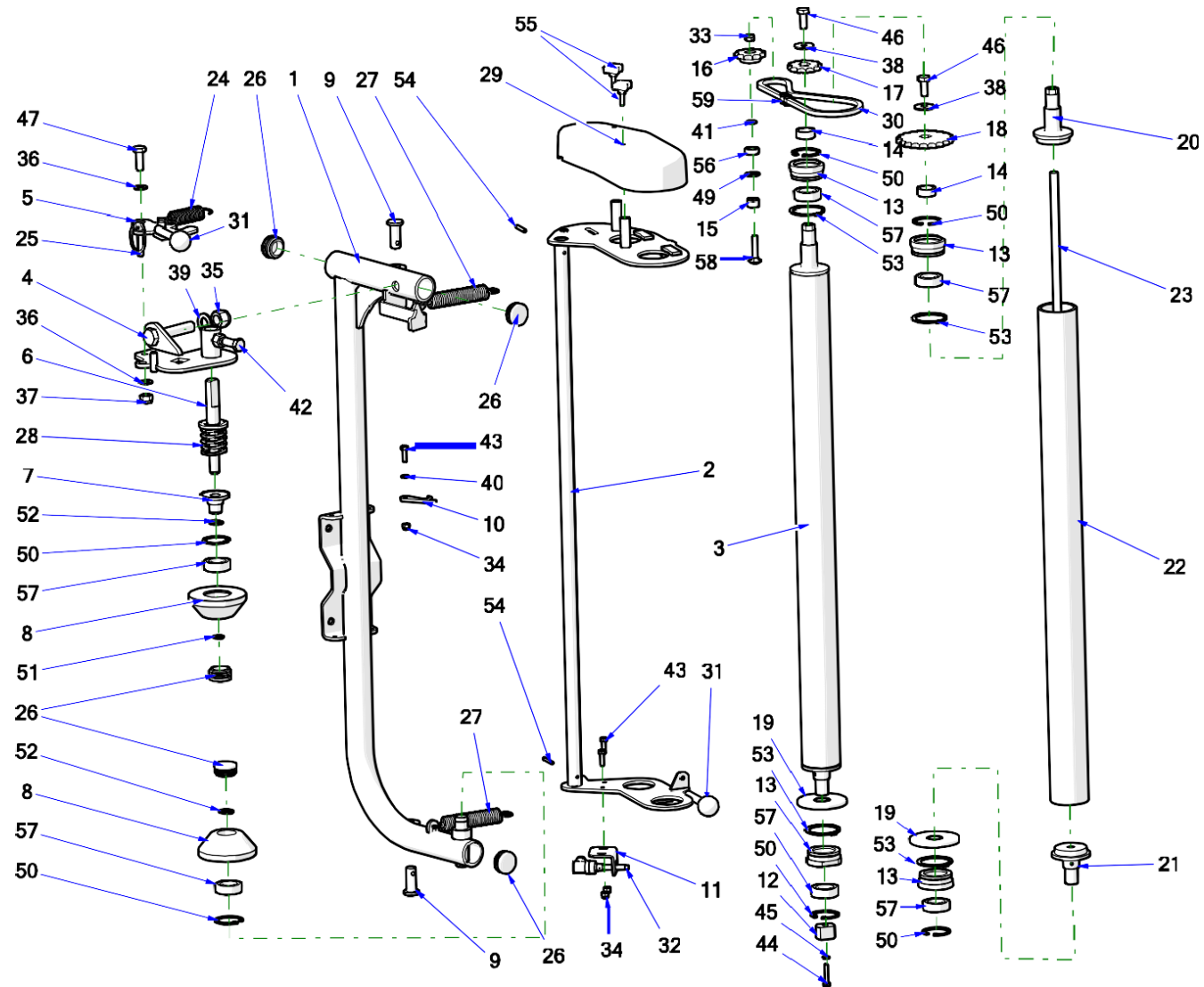


Table 5. Film feeder, complete

No.	Index	Name	Volume
1	Z598 04.03.00	Film feeder frame I	1
2	Z598 04.07.00	Film feeder frame II complete	1
3	Z598 04.08.00	Tensioner shaft complete	1
4	Z598 04.04.00	Upper foil gripper	1
5	Z598 04.05.00	Clamp	1
6	Z598 04.06.00	Compression axle complete	1
7	Z598 04.00.04	Floating bushing	2
8	Z598 04.00.02	Cone	4
9	Z598 04.00.05	Tensioner pin	4
10	Z598 04.00.07	Hook	1
11	Z598 04.00.08	Feeder sensor support	4
12	Z598 04.00.10	Film breaking sensor activator	6
13	Z-560 02.00.25.1	Shaft mounting	1
14	Z-560 02.00.26	Distance sleeve III	1
15	Z-560 02.00.08	Distance sleeve II	1
16	Z-560 02.00.09	Chain wheel Z-11	1
17	Z-560 02.00.30	Chain wheel Z-12	1
18	Z-560 02.00.32	Chain wheel Z-21	2

No.	Index	Name	Volume
19	Z-560 02.00.36	Bearing guard	1
20	Z598 04.08.01	Upper mounting	8
21	Z598 04.08.03	Bottom mounting	1
22	Z-560 02.24.01	Tensioner tube	4
23	Z598 04.08.02	Tensioner rod	4
24	POD-SPR-000060	Spring Maz-6531 galv. (1800025)-feraboli	2
25	23PR8	Cotter pin with a ring 8	2
26	POD-TSZ-000121	Stopper, round int 35 mm, black (Es-111530)	2
27	23SPN3/23/135 MAZ1771/1	Tension spring 3/23/136/34 galv. (maz-1771/B-1)	1
28	23S4/32/50	Compression spring 4/40/50/7, galv. (maz-2401)	4
29	POD-TSZ-000221	ABS guard for the Z589 tensioner	2
30	25LO08B1 43OGN	Chain 08B1 43ogn	8
31	28B32 M10	Knob B32 M10 No. 462099	4
32	POD-ELK-000348	Inductive sensor NI4U-EG08-AP6X-H1341	1
33	23NS8OC	Self-locking nut M8 galv. 82175 8 82175 8	1
34	23NS6OC	Self-locking nut M6 galv. 82175 8 82175 8	8
35	23NS16OC	Self-locking nut M16 galv. 82175 8 82175 8	2

No.	Index	Name	Volume
36	23P10 82005	Round washer 10 galv. 82005 82005	1
37	23NS10OC	Self-locking nut 10 galv. 82175 8 821758	1
38	23P10 OC030	Round washer 10, galv. coated 82030 82030	1
39	23P16OOC	Round washer 16 galv. 82005 82005	1
40	23P6OOC	Round washer 6 galv. 82005 82005	4
41	23P8OOC	Round washer 8 galv. 82005 82005	4
42	23S12/30OC 8.8	Bolt 12 x 30 galv. 8.8 82105 82105	9
43	23S6/20	Bolt 6 x 20 galv. 8.8 82105 82105 8.8	8
44	23S6/30 8.8 82105OC	Bolt 6 x 30 galv. 8.8 82105 82105	1
45	23P6SPOC	Spring washer 6.1, galv. 82008 82008	1
46	23S10/25OC 8.8	Bolt 10 x 25 galv. 8.8 82105 82105	1
47	23S10/30OC 8.8	Bolt 10 x 30 galv. 8.8 82105 82105	1
48	POD-ELZ-000659	Allen set screw 6 x 8 DIN913, galv.	4
49	23SW22	Circlip W22	4
50	23SW42	Circlip W42	1
51	23SZ14	Circlip Z15	2
52	23SZ20	Circlip Z20	12

No.	Index	Name	Volume
53	23SZ50	Circlip Z50	3
54	POD-ELZ-000344	Spring pin 5 x 30 DIN 1481	8
55	POD-KAB-000030-1	Knob P1M6 x 20	3
56	25L608 2RS	Bearing 608 2RS	4
57	25L6004	Bearing 6004 2RS	1
58	23S8/40P	Carriage bolt 8 x 40 galv. 8.8 82406 82406	12
59	25LO08P	Chain link 08B1 R-1 1/2"	1

6 FILM FEEDER – MOUNTING

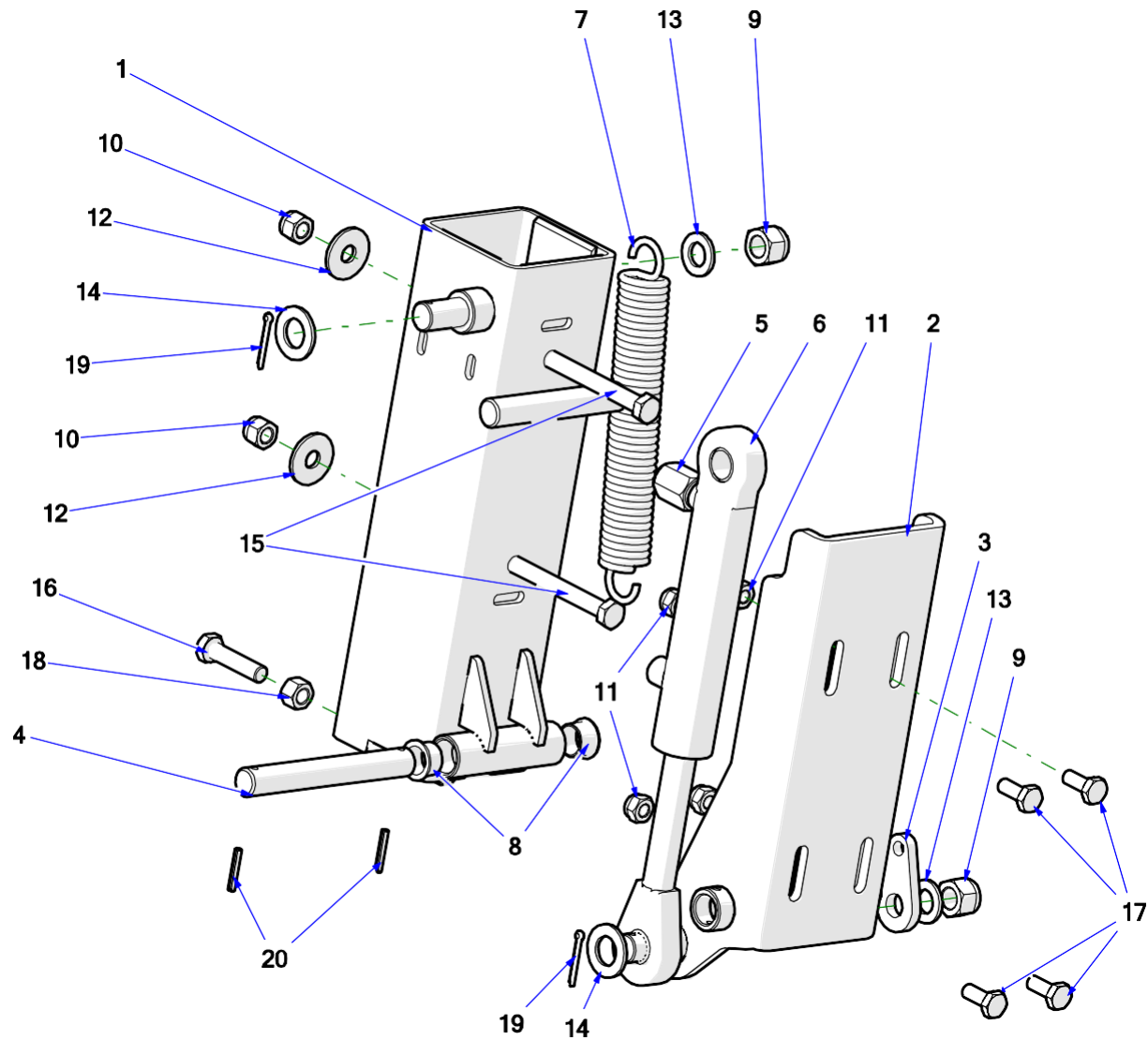


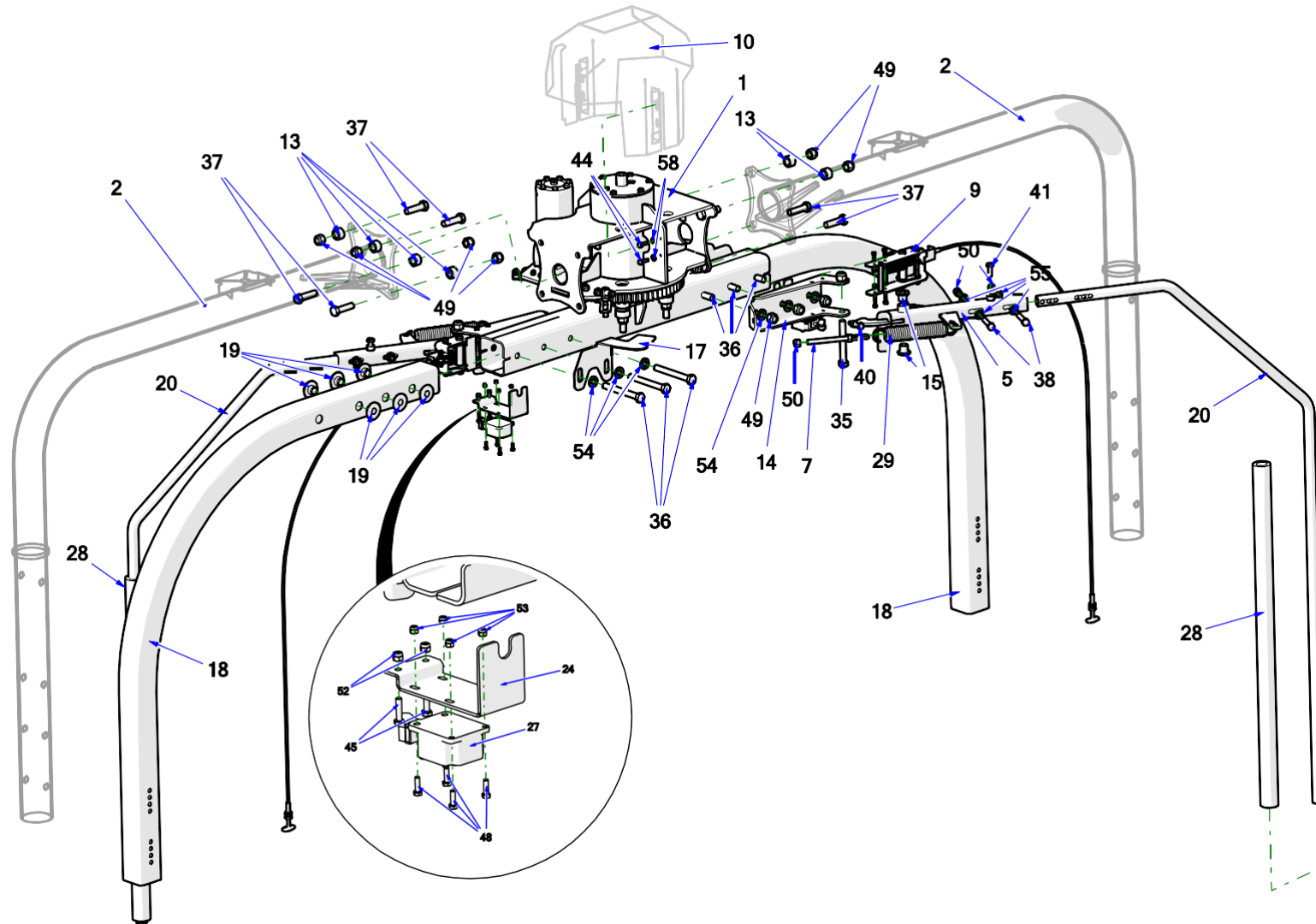
Table 6. Film feeder – mounting

No.	Index	Name	Volume
1	Z598 04.01.00	Feeder mounting I, complete	1
2	Z598 04.02.00	Feeder mounting II, complete	1
3	Z598 04.00.09	Spring holder	1
4	Z598 04.00.01	Feeder rotating pin	1
5	Z598 21.00.02	Stub pipe 14 x 1.5 AB L-50	1
6	POD-HSL-000021-1	Cylinder CJ2F 32/22/80*L-283	1
7	POD-SPR-000100	Tension spring 5/35/250/39 galv.	2
8	POD-LOZ-000285	GFM 202328-15 sleeve	4
9	23NS16OC	Self-locking nut M16 galv. 82175 8 82175 8	4
10	23NS12OC	Self-locking nut M12 galv. 82175 8 82175 8	1
11	23NS10OC	Self-locking nut 10 galv. 82175 8 82175 8	4
12	23P12OOC	Round washer 12, galv. coated 82030	6
13	23P16OOC	Round washer 16 galv. 82005 82005	1
14	23P20OOC	Round washer 20 galv. 82005 82005	1
15	23S12/120OC	Bolt 12 x 120 galv. 8.8 82101 82101	1
16	23S12/50OC	Bolt 12 x 50 galv. 8.8 82105 82105	1
17	23S10/25OC 8.8	Bolt 10 x 25 galv. 8.8 82105 82105	1

No.	Index	Name	Volume
18	23N12OC	Nut M12 galv. 82144 5	2
19	POD-ELZ-000542	Cotter pin 4 x 32 galv.	1
20	POD-ELZ-000344	Spring pin 5 x 30 DIN 1481	8

7 WRAPPING MODULE

7.1 WRAPPING MODULE – VIEW 1



7.2 WRAPPING MODULE – VIEW 2

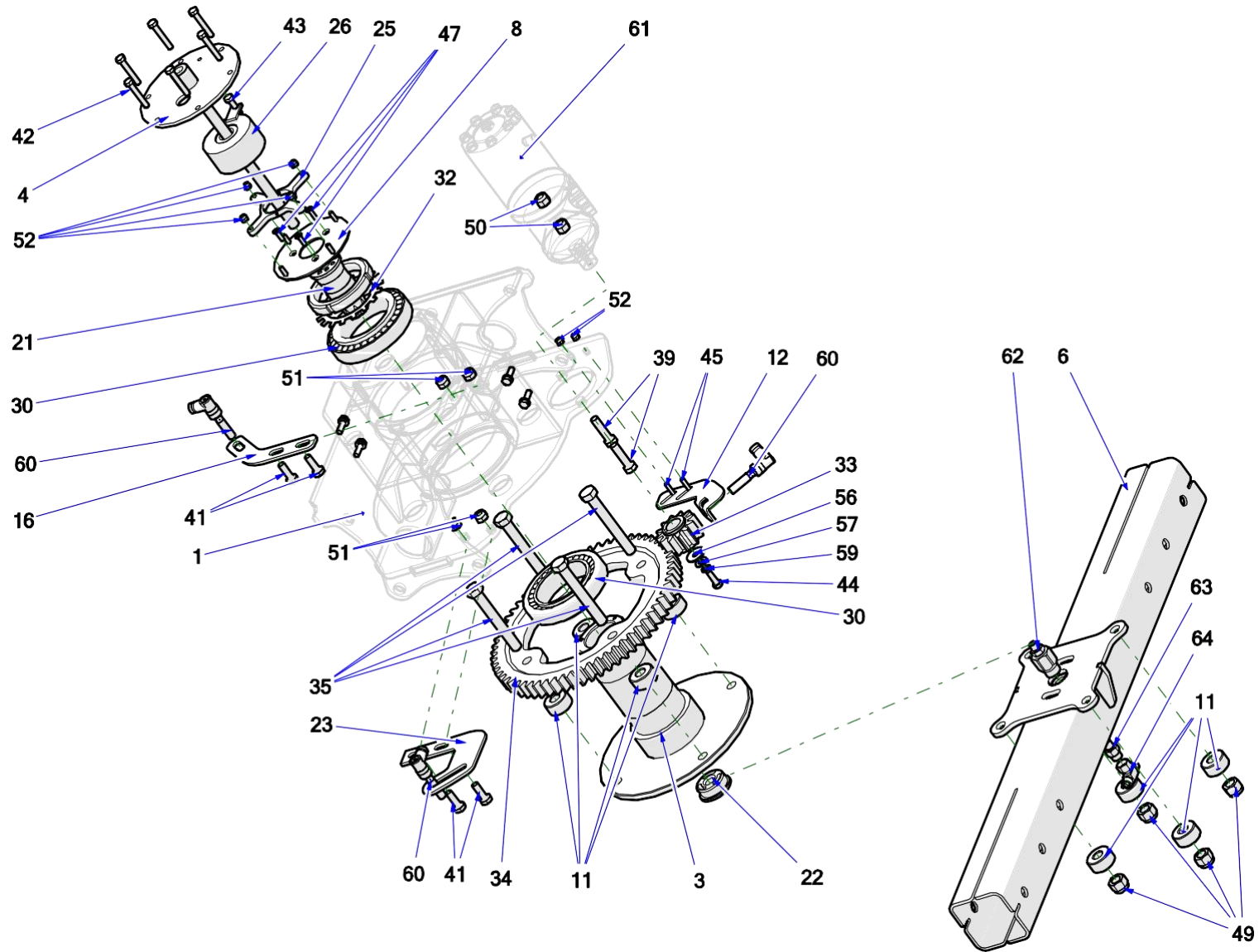


Table 7. Wrapping module

No.	Index	Name	Volume
1	Z598 05.01.00	Module body, complete	1
2	Z598 05.02.00	Body mounting arm, complete	2
3	Z598 05.03.00	Module rotation axis	1
4	Z598 05.04.00	Rotating connector axis, complete	1
5	Z598 05.05.00	Bumper arm, complete	2
6	Z598 05.06.00	Arm mounting, complete	1
7	Z598 05.07.00	Bumper spring tensioning device	2
8	Z598 05.00.30	Lower mounting for the connector	1
9	Z598 05.08.00	Bumper catch, complete	2
10	Z598 05.10.00	Module guard, complete	1
11	Z598 05.00.02	M16D40 spacer sleeve	8
12	Z598 05.00.03	Speed sensor bracket I	1
13	Z598 05.00.04	M16D30 spacer sleeve	8
14	Z598 05.00.05	Bumper arm bracket	2
15	Z598 05.00.06	Bumper arm insert	4
16	Z598 05.00.07	Bracket for arm position sensor	1
17	Z598 05.00.08	Activator for arm position sensor	2
18	Z598 05.00.10	Planet gear arm	2

No.	Index	Name	Volume
19	Z598 05.00.11	M16 spacer insert for profile	12
20	Z598 05.00.12	Bumper tube	2
21	Z598 05.00.14	Axle guide	1
22	Z598 05.00.15	Bottom axle guide	1
23	Z598 05.00.17	Bracket for transport position sensor	1
24	Z598 05.00.18	Limit sensor bracket	2
25	Z598 05.00.19	Connector mounting crosspiece	1
26	POD-ELK-000361	KYH25-0605 electric rotating connector, hole dia.25.4	1
27	POD-ELK-000375	SN2-SU1Z GDHW limit switch	2
28	POD-TSZ-000231	28 x 13 pipe casing, grey	2
29	POD-SPR-000101	Tension spring 6/41/243/28 galv.	2
30	25L32018	32018 bearing	2
31	25L17KM	KM17(N) bearing nut	1
32	25PL	Bearing washer MB17	1
33	POD-EOS-000422	Z-12 M5 gear wheel	1
34	POD-EOS-000421	Z-64 M5 gear wheel	1
35	23S16/120 8.8 82101 OC	Bolt 16 x 120 galv. 8.8 82101 82101	6

No.	Index	Name	Volume
36	23S16/140OC 8.8	Bolt 16 x 140 galv. 8.8 82101 82101	6
37	23S16/60 8.8 82101 OC	Bolt 16 x 60 galv. 8.8 82101 82101	8
38	23S12/60OC 8.8	Bolt 12 x 60 galv. 8.8 82101 82101	4
39	23S12/45OC	Bolt 12 x 45 galv. 8.8 82105 82105	2
40	23S10/40 8.8 82105 GALV.	Bolt 10 x 40 galv. 8.8 82105 82105	2
41	23S10/30OC 8.8	Bolt 10 x 30 galv. 8.8 82105 82105	6
42	23S8/50OC	Bolt 8 x 50 galv. 8.8 82101 82101	6
43	23S8/30OC 8.8	Bolt 8 x 30 galv. 8.8 82105 82105	1
44	23S8/25OC8.8	Bolt 8 x 25 galv. 8.8 82105 82105	5
45	23S6/25OC 105	Bolt 6 x 25 galv. 8.8 82105	6
46	23W6/20OC	Screw 6 x 20, galv. 82208	3
47	POD-ELZ-000642	Bolt 5 x 16 galv. 5.8 82105	8
48	23NS16OC	Self-locking nut M16 galv. 82175 8 82175 8	20
49	23NS12OC	Self-locking nut M12 galv. 82175 8 82175 8	8
50	23NS10OC	Self-locking nut 10 galv. 82175 8 82175 8	4

No.	Index	Name	Volume
51	23NS6OC	Self-locking nut M6 galv. 82175 8 82175 8	14
52	POD-ELZ-000471	Self-locking nut M5 galv. 82175 8	8
53	23P16OOC	Round washer 16 galv. 82005 82005	12
54	23P12OC	Round washer 12 galv. 82005	8
55	23P10 OC030	Round washer 10, galv. coated 82030 82030	1
56	23P10 82005	Round washer 10 galv. 82005 82005	1
57	23P8OOC	Round washer 8 galv. 82005 82005	4
58	23P8SPOC	Spring washer 8.2 galv. 82008 82008	1
59	POD-ELK-000347	Inductive sensor BI4M12-AP6X-H1141	3
60	POD-HPZ-000187	OMRF 125 hydraulic motor with a brake (dia.25-A2)	1
61	POD-HPZ-000199	Rotary coupling 1/4" GGIL140	1
62	POD-HKR-000126	1/4"-M16 x 1.5 straight connector	1
63	POD-HKR-000036	T-piece connector, symmetrical, M16 x M16 x M16 with 10L top nut	1

8 FILM CUTTER

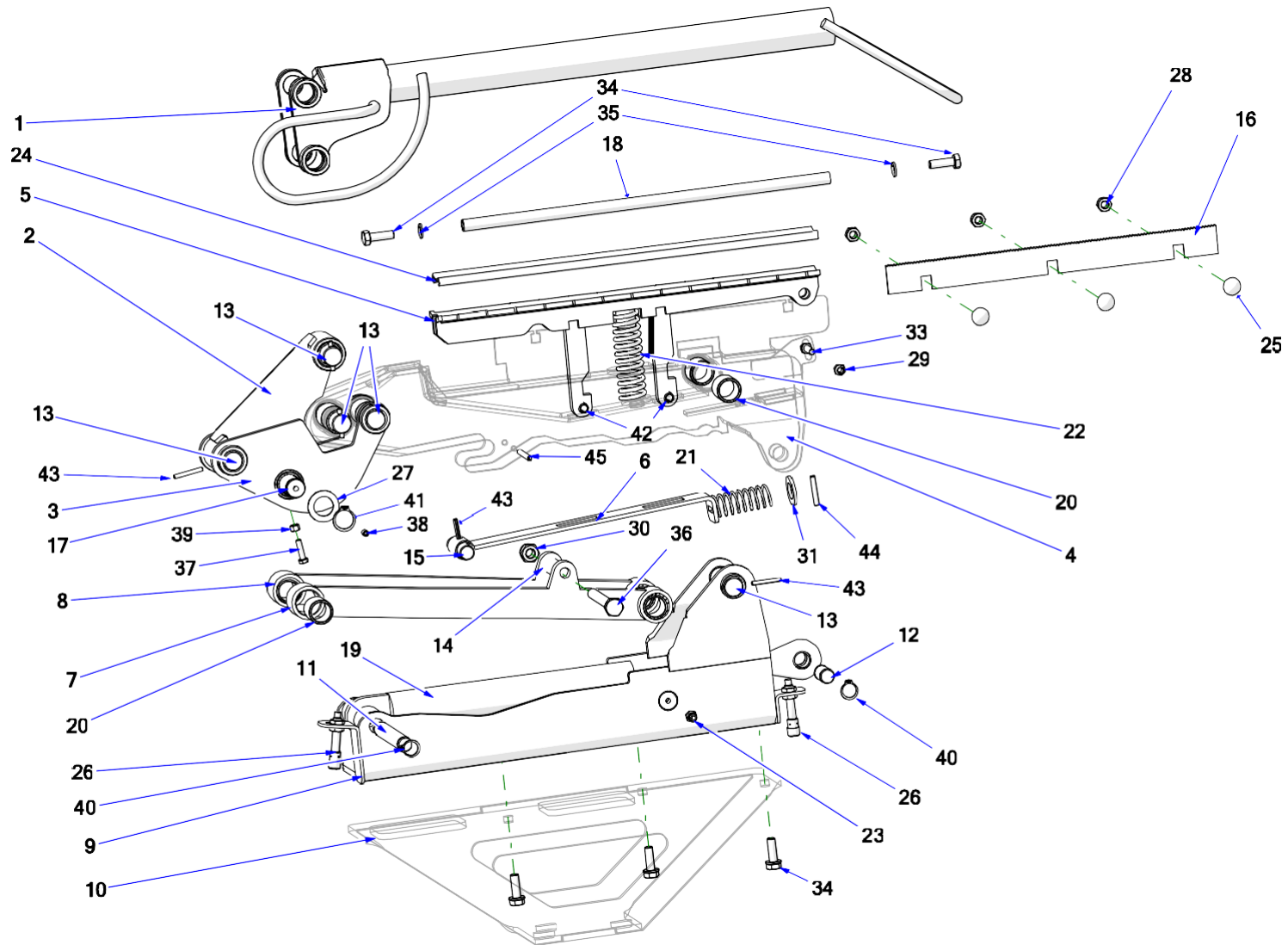


Table 8. Film cutter

No.	Index	Name	Volume
1	Z529 05.09.00.1	Foil grab	1
2	Z529 05.05.00	Cutter arm V	1
3	Z529 05.06.00	Cutter arm VI	1
4	Z598 07.03.00	Cutter arm III	1
5	Z529 05.07.00.1	Cutter table	1
6	Z529 05.08.00	Cutter guide	1
7	Z529 05.02.00	Cutter arm I	1
8	Z529 05.03.00	Cutter arm II	1
9	Z598 07/02.00	Cutter base	1
10	Z598 07.01.00	Cutter bracket, complete	1
11	Z529 05.00.07	Pin III	1
12	Z529 05.00.10	Pin VI	1
13	Z529 05.00.06	Pin II	5
14	Z529 05.00.03	Distance tube	1
15	Z529 05.00.04	Lock pin	1
16	Z529 05.00.11	Film cutter blade	1
17	Z529 05.00.08	Pin IV	1
18	Pipe Z529 VI 378 mm complete	Grab tube	1

No.	Index	Name	Volume
19	POD-HSL-000179	Servomotor 315-450-32	1
20	POD-LOZ-000271	Bush A-20-25-20	16
21	POD-SPR-000088	Compression spring 2/23/609, galv. (maz-7850)	1
22	POD-SPR-000087	Compression spring 4/28/90/12 galv. (maz-7849)	1
23	23SM	Lubricating nipple M6 x 1.0 straight	8
24	POD-TSZ-000216	30 x 6 mm handrail lining, black	1
25	POD-ELZ-000782	Carriage bolt 8 x 16 galv. 8.8 82406	3
26	POD-ELK-000348	Inductive sensor NI4U-EG08-AP6X-H1341	2
27	POD-ELZ-000848	20 x 32 x 1 spacer washer DIN 988	2
28	23NS8OC	Self-locking nut M8 galv. 82175 8 82175 8	3
29	23NS6OC	Self-locking nut M6 galv. 82175 8 82175 8	1
30	23NS10OC	Self-locking nut 10 galv. 82175 8 82175 8	1
31	23P16OOC	Round washer 16 galv. 82005 82005	1
32	23P8OOC	Round washer 8 galv. 82005 82005	3
33	23S6/25OC 105	Bolt 6 x 25 galv. 8.8 82105	1
34	23S8/25OC8.8	Bolt 8 x 25 galv. 8.8 82105 82105	5

No.	Index	Name	Volume
35	23P8SPOC	Spring washer 8.2 galv. 82008 82008	2
36	23S10/100OC	Bolt 10 x 100 galv. 8.8 82101 82101	1
37	POD-ELZ-000645	Bolt 5 x 20 galv. 8.8 82105	1
38	POD-ELZ-000659	Allen set screw 6 x 8 DIN913, galv.	1
39	23N5OC	Nut M5 galv. 82144 5 821445	1
40	23SZ14	Circlip Z15	4
41	23SZ20	Circlip Z20	2
42	POD-ELZ-000783	Spring pin 10 x 30 DIN 1481	2
43	23K4/30	Spring pin 4 x 30 (4 x 28) DIN 1481	6
44	POD-ELZ-000344	Spring pin 5 x 30 DIN 1481	1
45	POD-ELZ-000761	Spring pin 5 x 50 DIN 1481	1

9 LOADING ARM

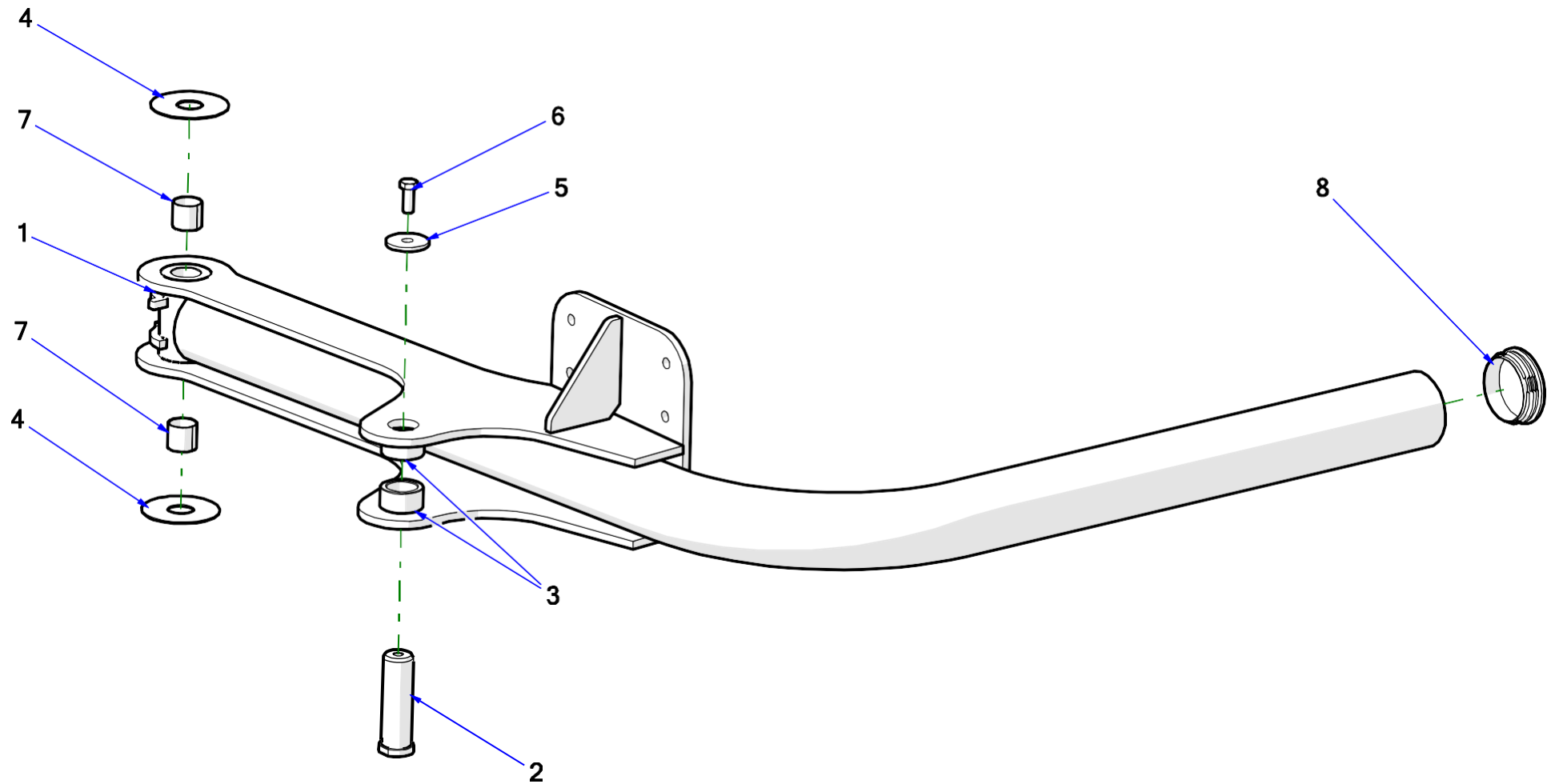


Table 9. Loading arm

No.	Index	Name	Volume
1	Z598 08.01.00	Loading arm	1
2	Z598 08.02.00	Arm cylinder pin I	1
3	Z598 02.00.08	Spacer sleeve I	2
4	Z598 08.00.01	Loading arm washer	2
5	Z598 01.00.04	Pin locking washer	1
6	23S12/30OC 8.8	Bolt 12 x 30 galv. 8.8 82105 82105	1
7	POD-LOZ-000112	Sleeve PAP 3030 P20	2
8	POD-TSZ-000246	Stopper, round int 88.9 mm, black (Es-085088969903)	1

10 ELECTRICS

10.1 ELECTRIC SYSTEM - CONTROL

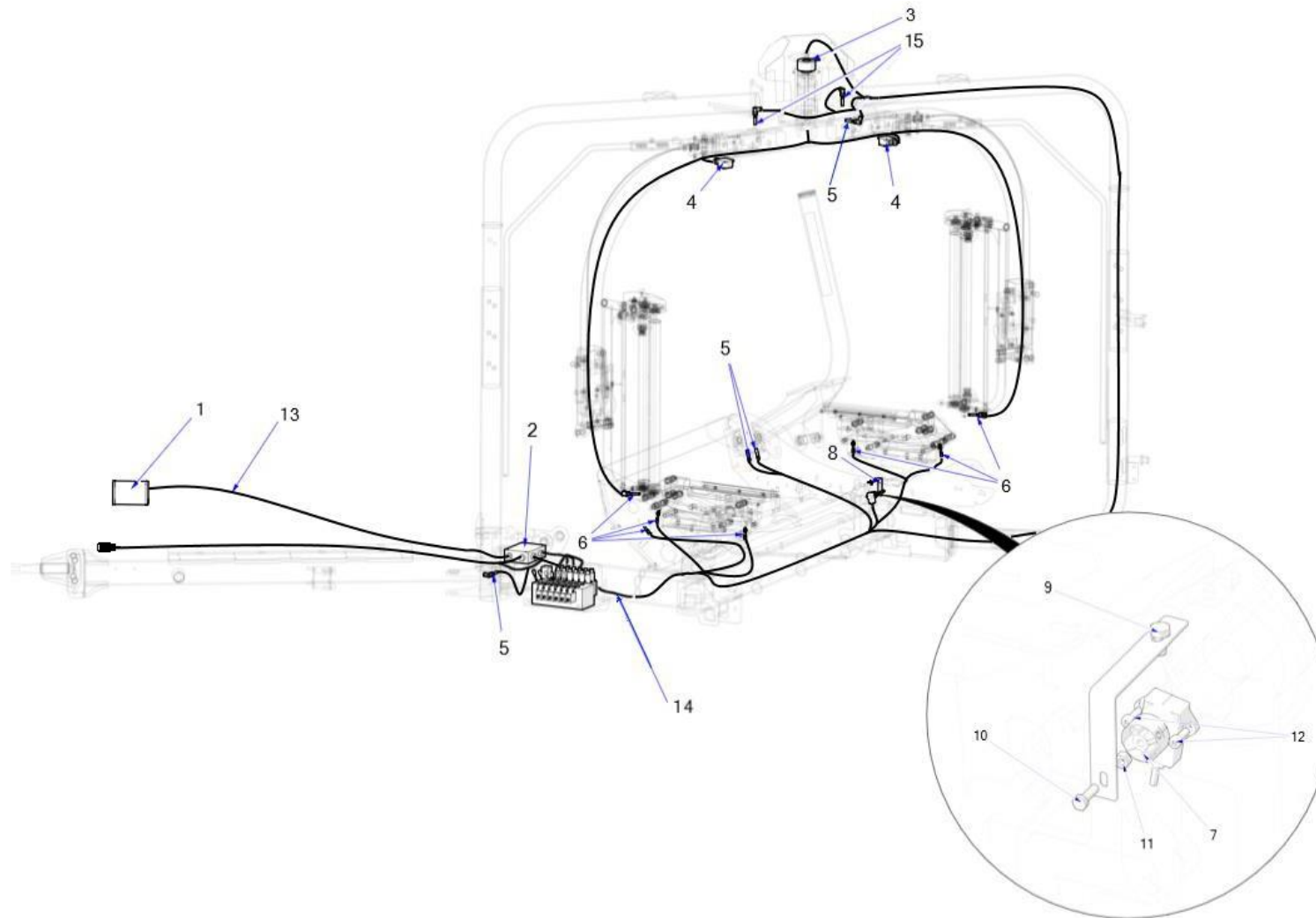


Table 10. Electric system - Control

No.	Index	Name	Volume
1	POD-ELK-000425	ARASOMF Z598 V-1.0 desktop counter	2
2	POD-ELK-000424	ARASOMF Z598-00 V-1.0 actuating module for the counter	1
3	POD-ELK-000361	KYH25-0605 electric rotating connector, hole dia.25.4	2
4	POD-ELK-000375	SN2- SU1Z GDHW limit switch	2
5	POD-ELK-000347	Inductive sensor BI4M12-AP6X-H1141	4
6	POD-ELK-000348	Inductive sensor NI4U-EG08-AP6X-H1341	7
7	POD-ELK-000438	Ri360P1- QR14-ELiU5x2 inductive sensor, analogue output	1
8	Z598 02.00.16	Actuator roller support	1
9	23S8/16 8.8 82105 OC.	Bolt 8 x 16 galv. 8.8 82105	1
10	23S6/20	Bolt 6 x 20 galv. 8.8 82105 8.8	1

11	23N6OC	Nut M6 galv. 82144 5 82144 5	1
12	POD-ELZ-000723	Allen bolt 5 x 14 galv. 8.8 82302	2
13	POD-ELK-000350	Z529 counter cable to the control panel, 5 m	2
14	POD-ELK-000381	Z598-00 electric cable bundle for the wrapper - control unit	1
15	POD-ELK-000437	Ni10U- M12-AP6X-H1141 inductive sensor with detection	2

10.2 LIGHTS (VIEW 1)

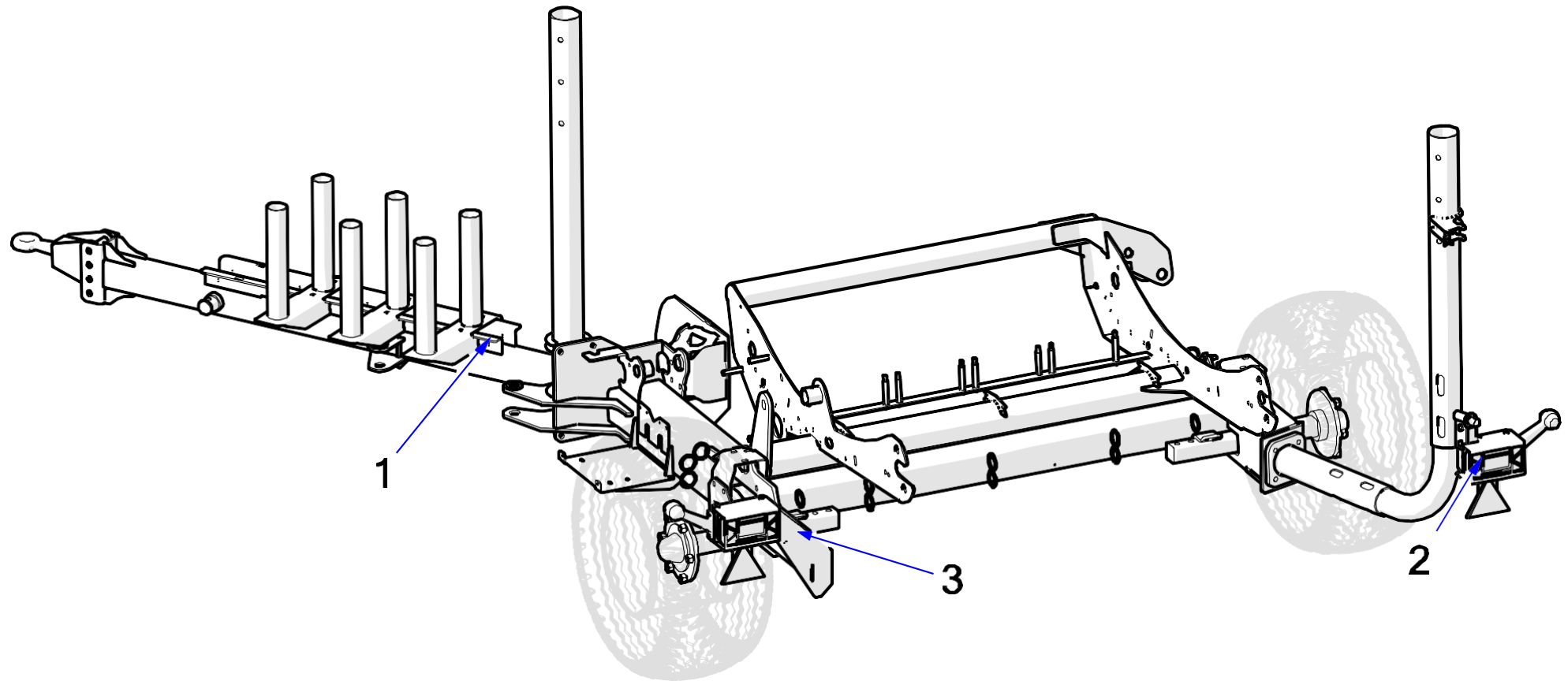


Table 11. Lights (view 1)

No.	Index	Name	Volume
1	POD-ELK-000382	Z598-00 electric cable bundle for the wrapper - lights	1
2	Z598 20/01.00	Right rear lamp, complete	1
3	Z598 20/02.00	Left rear lamp, complete	1

10.3 LIGHTS (VIEW 2)

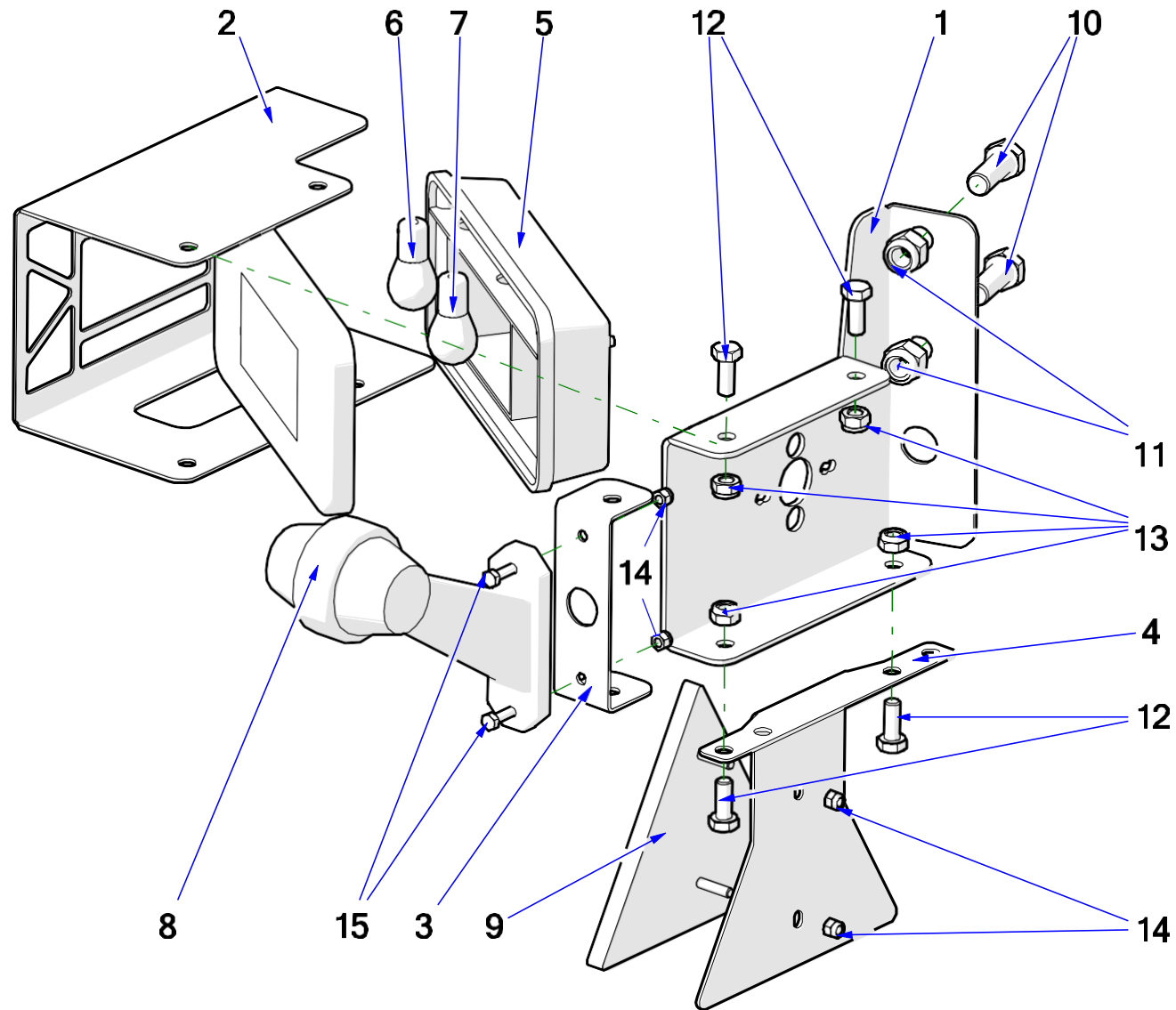


Table 12. Lights (view 2)

No.	Index	Name	Volume
1	Z598 20.01.01	Right lamp bracket	1
2	Z598 20.01.02	Right lamp guard	1
3	Z598 20.01.03	Marker light bracket	1
4	Z598 20.01.04	Reflector bracket	1
5	26LT	LT-90 rear lamp cluster – baler	1
6	26Z12V21/5W	Bulb 12V21/5W	1
7	26Z12V21W	Bulb 12V21W (P21W)	1
8	POD-ELK-000117	LO 356 marker lamp on an extension arm, right	1
9	26TO	Reflective triangle	1
10	23S12/30OC 8.8	Bolt 12 x 30 galv. 8.8 82105 82105	2
11	23NS12OC	Self-locking nut 12 galv. 82175 8 82175 8	2
12	23S8/20OC 8.8	Bolt 8 x 20 galv. 8.8 82105 82105	4
13	23NS8OC	Self-locking nut M8 galv. 82175 8 82175 8	4
14	POD-ELZ-000471	Self-locking nut M5 galv. 82175 8	4
15	POD-ELZ-000645	Bolt 5 x 20 galv. 8.8 82105	2

Table 13. Electric system - lights (view 3)

No.	Index	Name	Volume
1	Z598 20.02.10	Rear left lamp bracket	1
2	Z598 20.02.01	Left lamp guard	1
3	Z598 20.01.03	Marker light bracket	1
4	Z598 20.01.04	Reflector bracket	1
5	26LT	LT-90 rear lamp cluster – baler	1
6	26Z12V21/5W	Bulb 12V21/5W	1
7	26Z12V21W	Bulb 12V21W (P21W)	1
8	POD-ELK-000118	LO 356 marker lamp on an extension arm, left	1
9	26TO	Reflective triangle	1
10	23S16/40 8.8OC	Bolt 16 x 40 galv. 8.8 82105 82105	2
11	23NS16OC	Self-locking nut M16 galv. 82175 8 82175 8	2
12	23S8/20OC 8.8	Bolt 8 x 20 galv. 8.8 82105 82105	4
13	23NS8OC	Self-locking nut M8 galv. 82175 8 82175 8	4
14	POD-ELZ-000645	Bolt 5 x 20 galv. 8.8 82105	2
15	POD-ELZ-000471	Self-locking nut M5 galv. 82175 8	4

12 HYDRAULIC SYSTEM – POWER SUPPLY

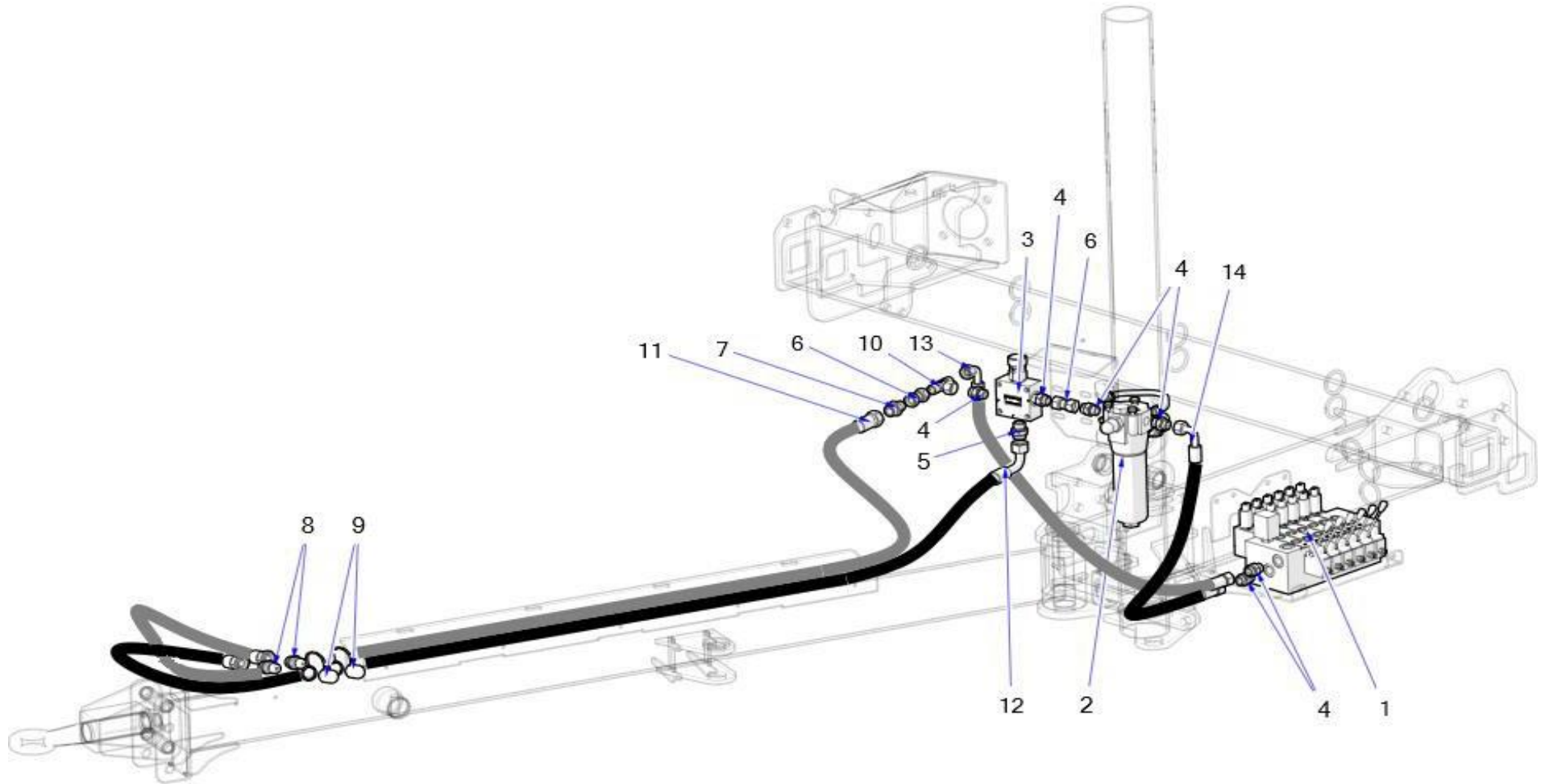


Table 14. Hydraulic system – power supply

N o.	Index	Name	Volume
1	POD-HZW-000098	Directional valve 6-sek. DPX050/6 (No. 21005462)	1
2	POD-HPZ-000198	FMM0504SACA10SP04+V7 filter	1
3	POD-HZW-000113	TVTC- UDU10-22/50-4 - Ponar flow control valve	1
4	24K1/2 22	Straight connection 1/2 edx22-1.5	6
5	POD-HKR-000116	3/4" x 26 x 1.5 18LR straight connector	1
6	POD-HKR-000141	AA M22 x 1.5 15L screw-on straight connector	2
7	POD-HKR-000130	22 x 1.5 15L/26 x 1.5 18L straight connector	1
8	POD-HZW-000059	Valve-plug Euro 13 M26 x 1.5	2
9	24ZWNE13	Vale cap EURO plug 13 (green, yellow, blue, red)	2
10	24TN22/22/22	T-coupling, symmetrical, 22 x 22 x 22 (top nut)	1
11	POD-HPR-000618	Z598 (s+g) - AA/133/16 L=3800 wrapper complete No. 77	1
12	POD-HPR-000618	Z598 (s+g) - AA90/133/16 L=3800 wrapper complete No. 77	1
13	POD-HPR-000618	Z598 (s+g) - AA90/133/13 L=1200 wrapper complete No. 77	1
14	POD-HPR-000618	Z598 (s+g) - AA90/133/13 L=700 wrapper complete No. 77	1

13 HYDRAULIC SYSTEM - DRAWBAR, WORK TABLE, LOADING ARM

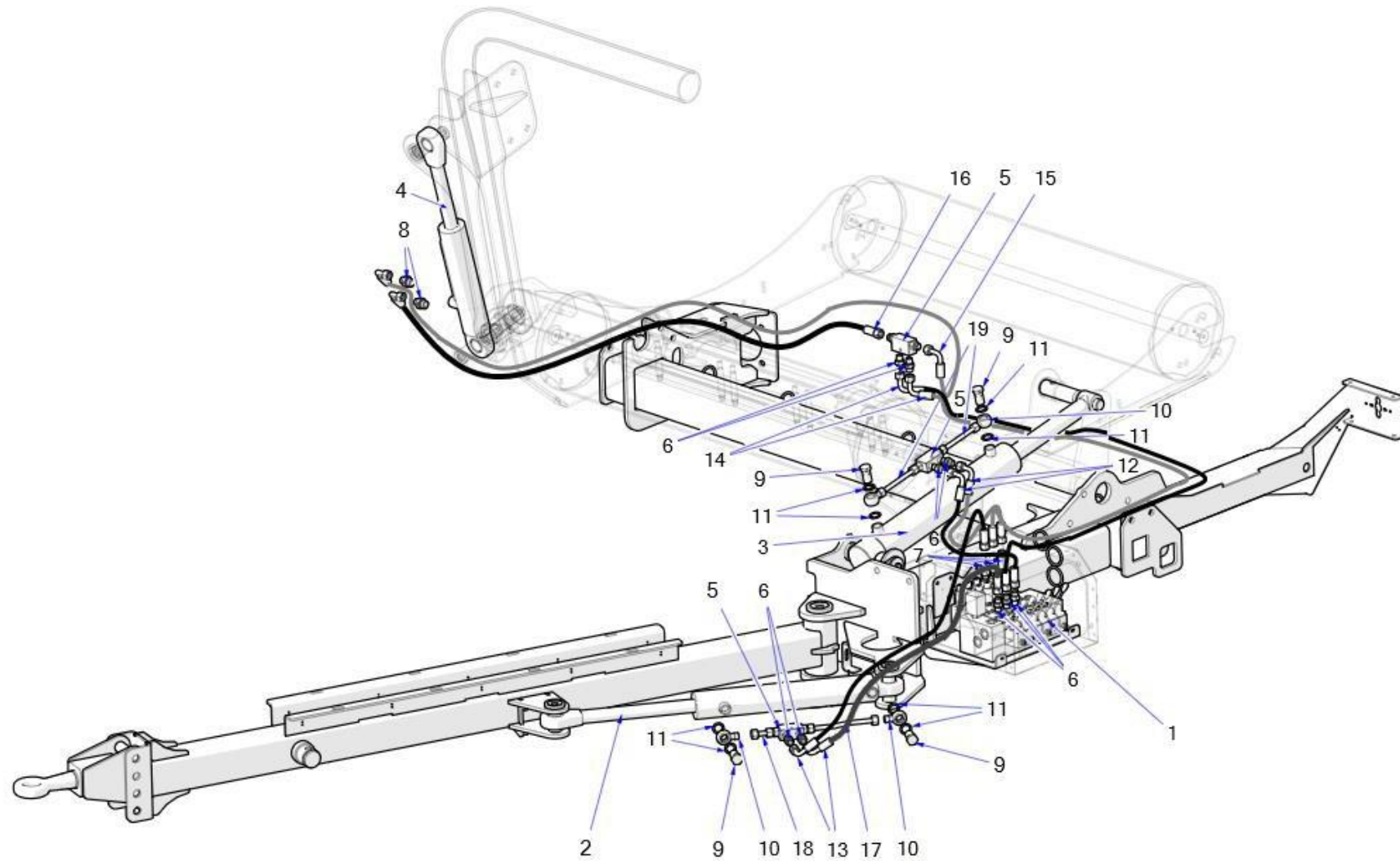


Table 15. Hydraulic system - drawbar, work table, loading arm

No.	Index	Name	Volume
1	POD-HZW-000098	Directional valve 6-sek. DPX050/6 (No. 21005462)	1
2	24SCJ2F63/36/320Z	Cylinder 63/36/320z*L-602	1
3	POD-HSL-000154	Cylinder UCJ475-80/45/400*L-610	1
4	POD-HSL-000020-1	Cylinder Z593-63/36/200 (446/646)	1
5	POD-HZW-000038	Check valve, twin - controlled VBPDE 3/8" L 2 CEXC	3
6	24KP3/8 18	Straight connector 3/8 x 18-1.5 12LR	9
7	POD-HKR-000144	Straight connector 3/8"-18 x 1.5 L- 60, long	3
8	24KP22/18	Straight connector 22 x 18-1.5	2
9	POD-HPZ-000009-1	Eye bolt M22 x 1.5 22 L38	4
10	POD-HKR-000139	Eye coupling M22 x 1.5 L12 (P05 22 22 M18 x 1.5 12 L), metric	4

No.	Index	Name	Volume
11	24U22	Copper washer dia.22 x 28 x 1.5	8
12	POD-HPR-000618	Z598 (s+g) - AA90/111/10 L=700 wrapper complete No. 77	2
13	POD-HPR-000618	Z598 (s+g) - AA90/111/10 L=1200 wrapper complete No. 77	2
14	POD-HPR-000618	Z598 (s+g) - AA90/111/10 L=2300 wrapper complete No. 77	2
15	POD-HPR-000618	Z598 (s+g) - A90A90/111/10 L=2000 wrapper complete No. 77	1
16	POD-HPR-000618	Z598 (s+g) - AA90/111/10 L=2000 wrapper complete No. 77	1
17	POD-HPR-000618	Z598 (s+g) wrapper complete No. 77 - V L12 tube	1
18	POD-HPR-000618	Z598 (s+g) wrapper complete No. 77 - VI L12 tube	1
19	POD-HPR-000618	Z598 (s+g) wrapper complete No. 77 - IV L12 tube	2

14 HYDRAULIC SYSTEM - FILM CUTTER, FILM FEEDER

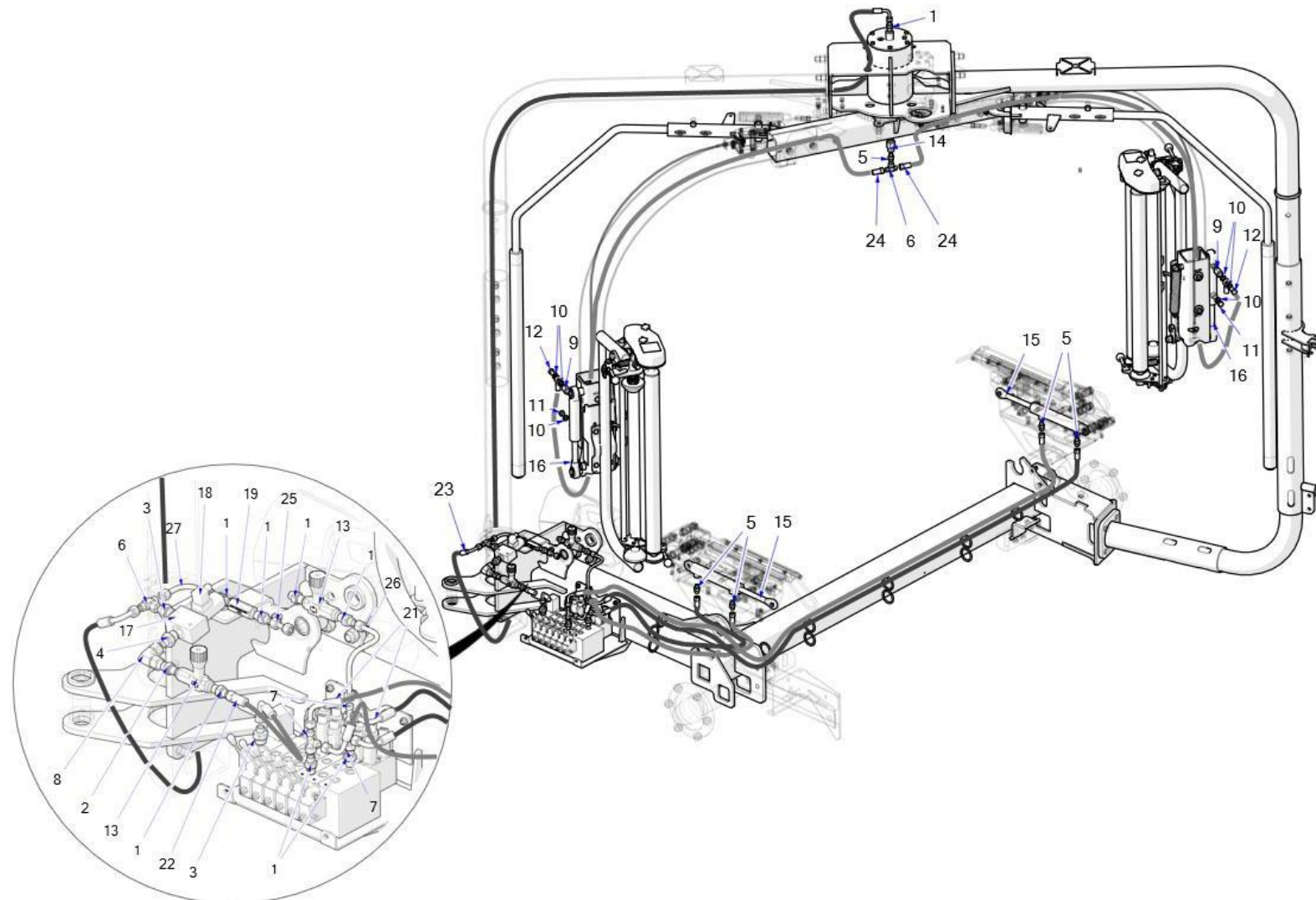


Table 16. Hydraulic system - film cutter, film feeder

No.	Index	Name	Volume
1	24KP3/8 16	Straight connector 3/8 x 16-1.5	8
2	24KP3/8 18	Straight connector 3/8 x 18-1.5 12LR	1
3	24KP1/2 16	Straight connection 1/2 edx16-1.5	2
4	24KP1/2 18	Straight connection 1/2 edx18-1.5	1
5	POD-HKR-000126	1/4"-M16 x 1.5 straight connector	5
6	POD-HKR-000036	T-piece connector, symmetrical, M16 x M16 x M16 with 10L top nut	2
7	POD-HKR-000063	T-coupling, asymmetrical 16 x 16 x 16-1.5 10L with side nut	3
8	POD-HKR-000120	AA M18 x 1.5 12L adjustable elbow connector (2 x nut)	1
9	Z598 21.00.02	Stub pipe 14 x 1.5 AB L-50	2
10	POD-HPZ-000091	Metal & rubber washer PPM 14	6
11	POD-HKR-000143	Hexagonal blind plug M14 x 1.5	2
12	POD-HKR-000140	Eye bolt M14 x 1.5	2
13	24ZD	Throttle check valve VRFU 90-3/8"	2
14	POD-HPZ-000199	Rotary coupling 1/4" GGIL140	1
15	POD-HSL-000179	Servomotor 315-450-32	2
16	POD-HSL-000021-1	Cylinder CJ2F 32/22/80*L-283	2

No.	Index	Name	Volume
17	POD-HPZ-000193	Connection block 2UL06/1-G3	1
18	POD-HZW-000089	2URES-Cartridge directional valves 6-A4-12/2-M1-G12Z4	1
19	POD-HZW-000035	Non-return valve VU 3/8"	1
20	POD-HPR-000618	Z598 (s+g) - AA90/111/8 L=1100 wrapper complete No. 77	2
21	POD-HPR-000618	Z598 (s+g) - AA90/111/8 L=3000 wrapper complete No. 77	2
22	POD-HPR-000618	Z598 (s+g) - AA90/111/8 L=420 wrapper complete No. 77	1
23	POD-HPR-000618	Z598 (s+g) - A90A90/111/8 L=5000 wrapper complete No. 77	1
24	POD-HPR-000618	Z598 (s+g) - AA/133/16 L=3800 wrapper complete No. 77 - A RNM/111/8 L=2700	2
25	POD-HPR-000618	Z598 (s+g) wrapper complete No. 77 - I L10 tube	1
26	POD-HPR-000618	Z598 (s+g) wrapper complete No. 77 - II L10 tube	1
27	POD-HPR-000618	Z598 wrapper complete No. 77 (s+g) - III L10 tube	1

15 HYDRAULIC SYSTEM - WRAPPING MODULE MOTOR, WORK TABLE MOTOR

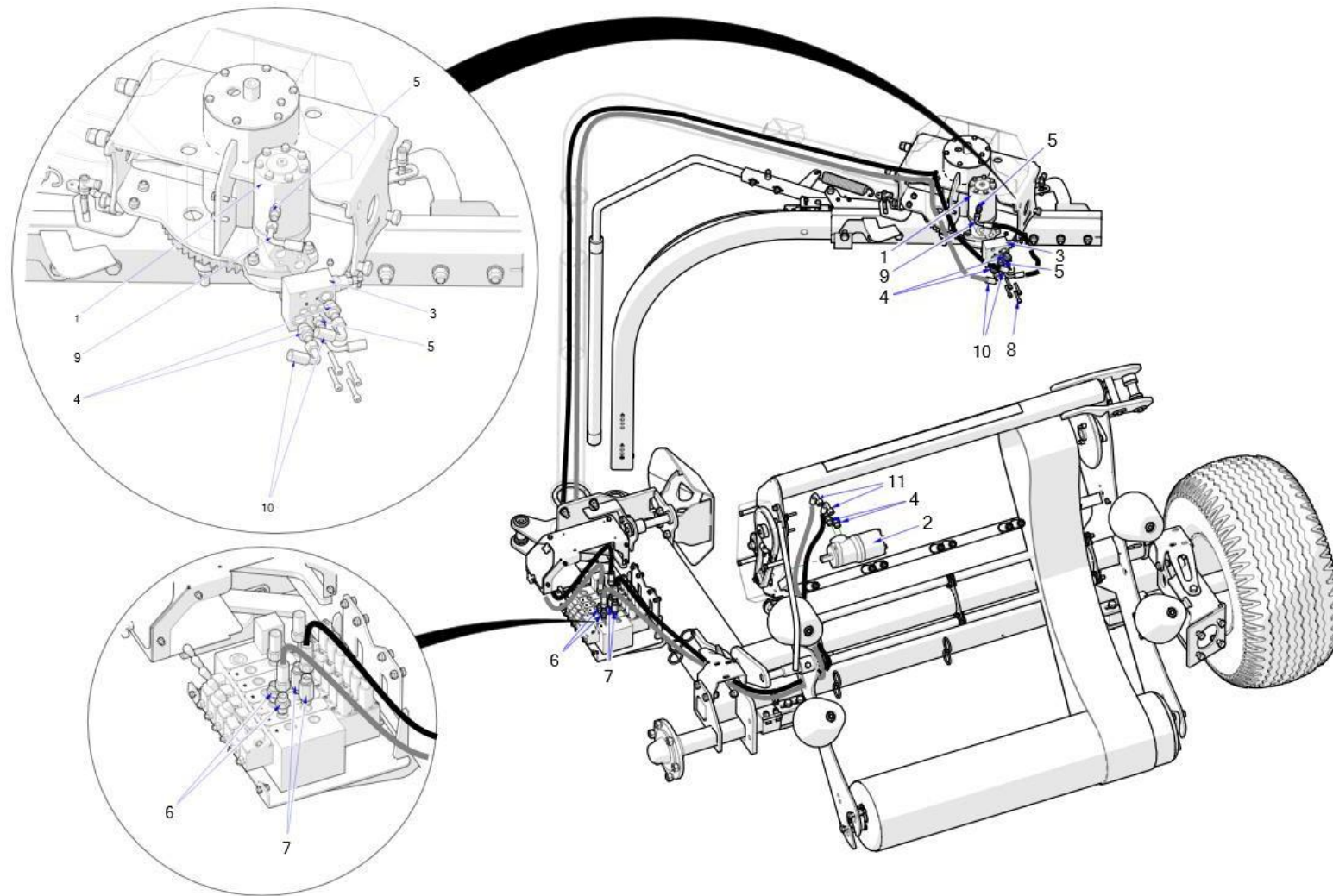


Table 17. Hydraulic system - wrapping module motor, work table motor

No.	Index	Name	Volume
1	POD-HPZ-000187	Hydraulic motor OMRF 125 with a brake (dia.25-A2)	1
2	POD-HPZ-000186	Hydraulic motor OMR375 (dia.25 A2)	1
3	POD-HZW-000095	Engine valve VBSE-TR-FL-OMP 120-SF	1
4	24KP1/2 18	Straight connection 1/2 edx18-1.5	4
5	POD-HKR-000126	Straight connector 1/4"-M16 x 1.5	2
6	24KP3/8 18	Straight connector 3/8 x 18-1.5 12LR	2
7	POD-HKR-000144	Straight connector 3/8"-18 x 1.5 L- 60, long	2
8	POD-ELZ-000531	Allen bolt 8 x 50 galv. 8.8 82302	4
9	POD-HPR-000618	Z598 (s+g) - AA90/111/8 L=350 wrapper complete No. 77	1
10	POD-HPR-000618	Z598 wrapper complete No. 77 (s+g) - AA90/111/10 L=5000	2
11	POD-HPR-000618	Z598 (s+g) - AA90/111/10 L=2200 wrapper complete No. 77	2

NOTES

A series of horizontal dotted lines providing space for handwritten notes.



Metal-Fach Sp. z o.o. is constantly improving its products and adjusting its package to the needs of its customers, so it reserves the right to make changes to its product range without notice. Therefore, before making your purchase decision, please contact an authorised dealer or sales representative of Metal-Fach Sp. z o.o. Metal-Fach Sp. z o.o. will not accept any complaints regarding the data and pictures contained in the catalogue, as the presented range of products does not constitute an offer within the meaning of the provisions of the Civil Code.

The pictures do not necessarily show standard accessories.

Original spare parts are available from authorised dealers, both in Poland and abroad, and also at the Metal-Fach retail outlet.

TECHNICAL SERVICE

16-100 Sokółka, ul. Kresowa 62
phone: +48 85 711 07 80; fax: +48 85 711 07 93
serwis@metalfach.com.pl

SALES

16-100 Sokółka, ul. Kresowa 62
phone: +48 85 711 07 78; fax: +48 85 711 07 89
handel@metalfach.com.pl

SPARE PARTS WHOLESALE STORE

16-100 Sokółka, ul. Kresowa 62
Wholesale:
phone: 85 711 07 81; fax: 85,711 07 93
hurtownia@metalfach.com.pl

Spare parts - retail sales
24/7 PHONE: +48 533 111 477
Phone: +48 85 711 07 90
sklep.kontakt@metalfach.com.pl

