



**METAL-FACH**



**CULTIVATOR**  
**U740**  
PARTS CATALOGUE  
EDITION VIII  
SEPTEMBER 2019



Information included in the catalogue is valid as of the date of its preparation. The manufacturer reserves its right to make design changes to machines, and due to this, some values or illustrations might not correspond to the actual state of the machine supplied to the user. The manufacturer reserves its right to make design changes without changing this catalogue.

## TABLE OF CONTENTS

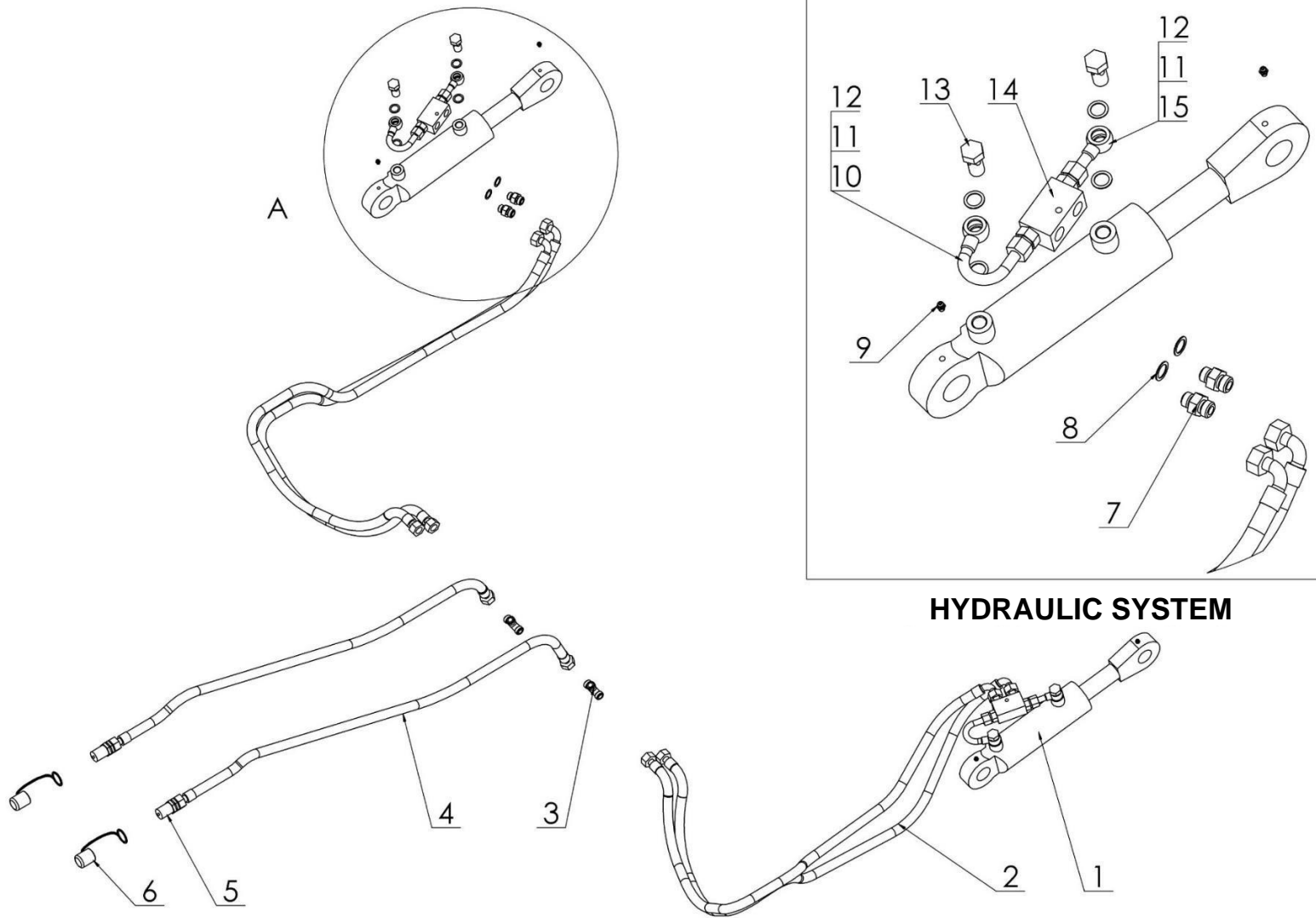
1. CULTIVATOR .....	4
2. HYDRAULIC SYSTEM .....	6
3. DISC, COMPLETE .....	8
4. OUTER DISC, COMPLETE .....	10
5. SPRING MOUNTING, COMPLETE .....	12
6. SHAFT MOUNTING .....	14
7. PIPE ROLLER .....	16
8. PACKER ROLLER FOR 2019 .....	18
9. PACKER ROLLER FROM 2019 .....	20
10. U-BOX ROLLER .....	22
11. CORRUGATED ROLLER .....	24
12. FLEXIBLE SHAFT .....	26
13. D-D TYPE CULTIVATOR .....	29
14. RUBBER CULTIVATING ROLLER .....	31
15. TYRE WHEEL CULTIVATING ROLLER .....	33
16. STRING ROLLER .....	35
17. CYLINDER MOUNTING .....	37
18. BOTTLE SCREW .....	39
19. SIGNAL LIGHTS .....	41
20. LIST OF DISC SUPPORT MODIFICATIONS FOR U740, U710, U710/1 DISCS – MAINTENANCE HUB .....	43
21. DISC BRACKETS, SKF OPTIM .....	45
22. 3 M LAND LEVELLER .....	48
23. HD LATCH BAR, CAT. 2 .....	51
24. SIDE DISCS, COMPLETE .....	53



**Tabela 1.** Cultivator

No.	Index	Volume	Index	Volume	Part or assembly name
	U-740 Mechanical adjustment		U-740 Hydraulic adjustment		
1	U-740 01.01.00	1	U-740 01.01.00	1	Main frame
2	U-740 01.04.00.2	2	U-740 01.04.00.2	2	Outer disc bracket
3	U-710 09.00.00.1	11	U-710 09.00.00.1	11	Front disc, complete
4	U-710 08.00.00.1	11	U-710 08.00.00.1	11	Rear disc, complete
5	U-710 10.00.00.1	1	U-710 10.00.00.1	1	Front disc II, complete
6	U-710 11.00.00.1	1	U-710 11.00.00.1	1	Rear disc II, complete
7	U-710 04.00.00	1	U-710 04.00.00	1	String roller, complete
7*	U-710 14.00.00	1	U-710 14.00.00	1	Packer roller, complete
8	U-710 02.05.00	2	U-710 02.05.00	2	Shaft mounting I
9	U-710 02.08.00	2	U-710 02.08.00	2	Shaft mounting II
10	U-710 02.02.00	1	U-710 02.02.00	1	Spring mounting, complete
11	-	-	U-710 02.03.00.3	1	Cylinder bracket, left
12	-	-	U-710 02.04.00.3	1	Cylinder bracket, right
13	-	-		1	Hydraulic system
14	U-740 01.03.00	1	U-740 01.03.00	1	3-point hitch
15	23PR11	3	23PR11	3	Cotter pin with a ring 11
16	U-710 01.09.00.1	1	U-710 01.09.00.1	1	Pin IV
17	U-710 01.00.13	2	U-710 01.00.13	2	Pin V
18	23ZRFI4	6	23ZRFI4	6	Elastic single cotter pin 4 (R-letter shaped, single)
19	U-740 00.00.05	4	U-740 00.00.05	4	Pin
20	23K6/40	4	23K6/40	4	Spring pin 6 x 40 DIN 1481
21	U-740 03.00.00	2	-	-	Bolt, complete
22	U-740 21.00.00		U-740 21.00.00		Lighting (OPTION)

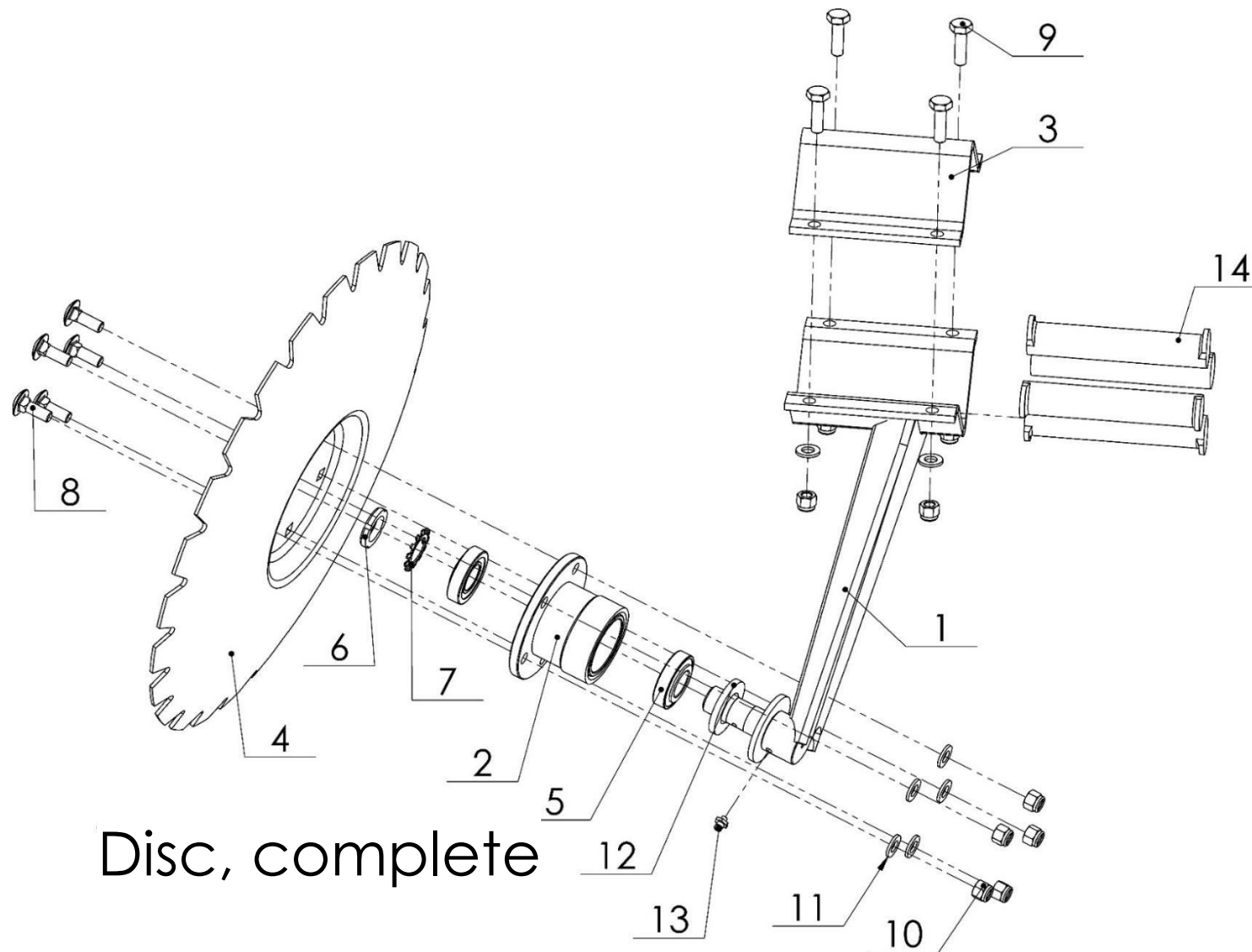
## 2. HYDRAULIC SYSTEM



**Tabela 2.** Hydraulic system

No.	Index	Volume	Index	Volume	Part or assembly name
	U-740 Mechanical adjustment		U-740 Hydraulic adjustment		
1			POD-HSL-000042	2	Cylinder CJ2F-63/36/100+ KT2
2			AA/244/10 L-1300	4	Hydraulic hose I
3			24KT18/18/18	2	Tee connector 18 x 18 x 18
4			A90A/244/10 L-700	2	Hydraulic hose II
5			24ZWE13-M18 x 1.5	2	Valve-plug EURO 13 M18 x 1.5
6			24ZWNE13	2	EURO13 valve plug attachment
7			24KP3/8 18	4	Straight connector 3/8 x 18-1.5 12LR
8			24UPPM16	12	Seal ring PPM16 24 x 16
9			23SM	4	Lubricating nipple M6 x 1.0 straight
10			POD-HPR-000272	2	Eye termination M16 - bent
11			24PZ	4	Cutting ring 16-10, dia 12
12			24NH	4	Hydraulic nut 16-10 (M18 x 1.5)
13			24SO16/1.5	4	Eye bolt M16 x 1.5
14			POD-HZW-000038	2	Double non-return control valve VBPDE-3/8" L2CEXC
15			POD-HPR-000241	2	Eye termination M16 - straight

### 3. DISC, COMPLETE





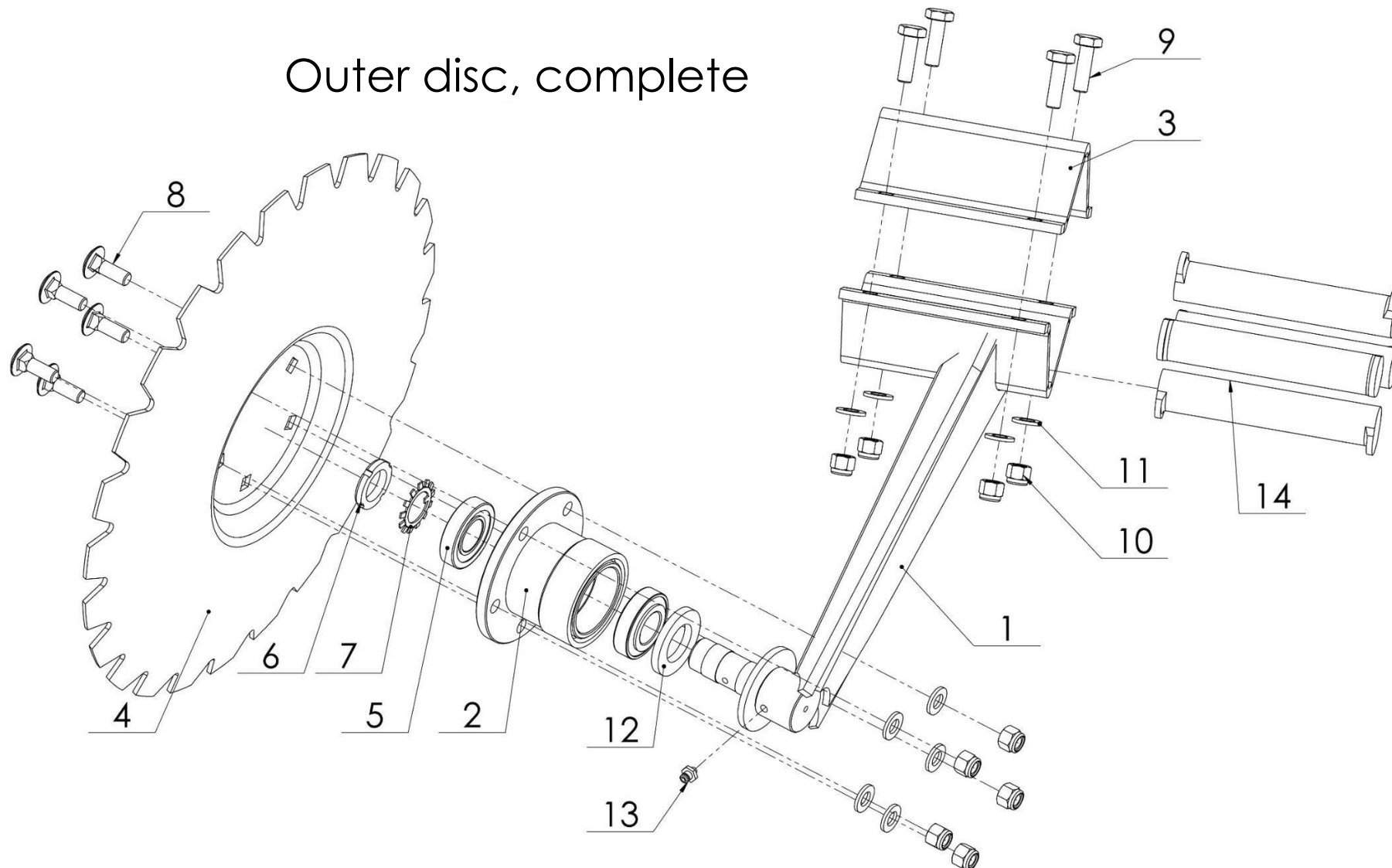
**Tabela 3.** Disc, complete

No.	Index	Volume	Index	Volume	Part or assembly name
	U-740 Mechanical adjustment		U-740 Hydraulic adjustment		
1	U-710 09.01.00.2	1	U-710 09.01.00.2	1	Front disc arm*
1	U-710 08.01.00.2	1	U-710 08.01.00.2	1	Rear disc arm*
2	POD-ODL-000020	1	POD-ODL-000020	1	Hub
3	U-710 08.01.04.1	1	U-710 08.01.04.1	1	Arm mounting
4	POD-OGL-000103	1	POD-OGL-000103	1	Cutting disc I
5	POD-LOZ-000098	2	POD-LOZ-000098	2	Bearing 30206 A
6	POD-LOZ-000099	1	POD-LOZ-000099	1	Bearing nut KM06
7	POD-LOZ-000100	1	POD-LOZ-000100	1	Bearing washer MB06
8	POD-ELZ-000393	5	POD-ELZ-000393	5	Carriage bolt 8 x 20 galv. 8.8 82406
9	POD-ELZ-000421	4	POD-ELZ-000421	4	Bolt M12 x 40 galv. 10.9 82105
10	23NS12OC	9	23NS12OC	9	Self-locking nut M12 galv. 82175
11	23P12OC	4	23P12OC	4	Round washer 12 galv. 82005
12	POD-HPZ-000079	1	POD-HPZ-000079	1	Simmering 36 x 62 x 7
13	23SM8	1	23SM8	1	Lubricating nipple M8 x 1.0 straight
14	POD-TSZ-000036	4	POD-TSZ-000036	4	Cultivator rubber shock absorber 35 x 210

\* The list of changes regarding the design of brackets can be found at the end of the catalogue.

#### 4. OUTER DISC, COMPLETE

Outer disc, complete

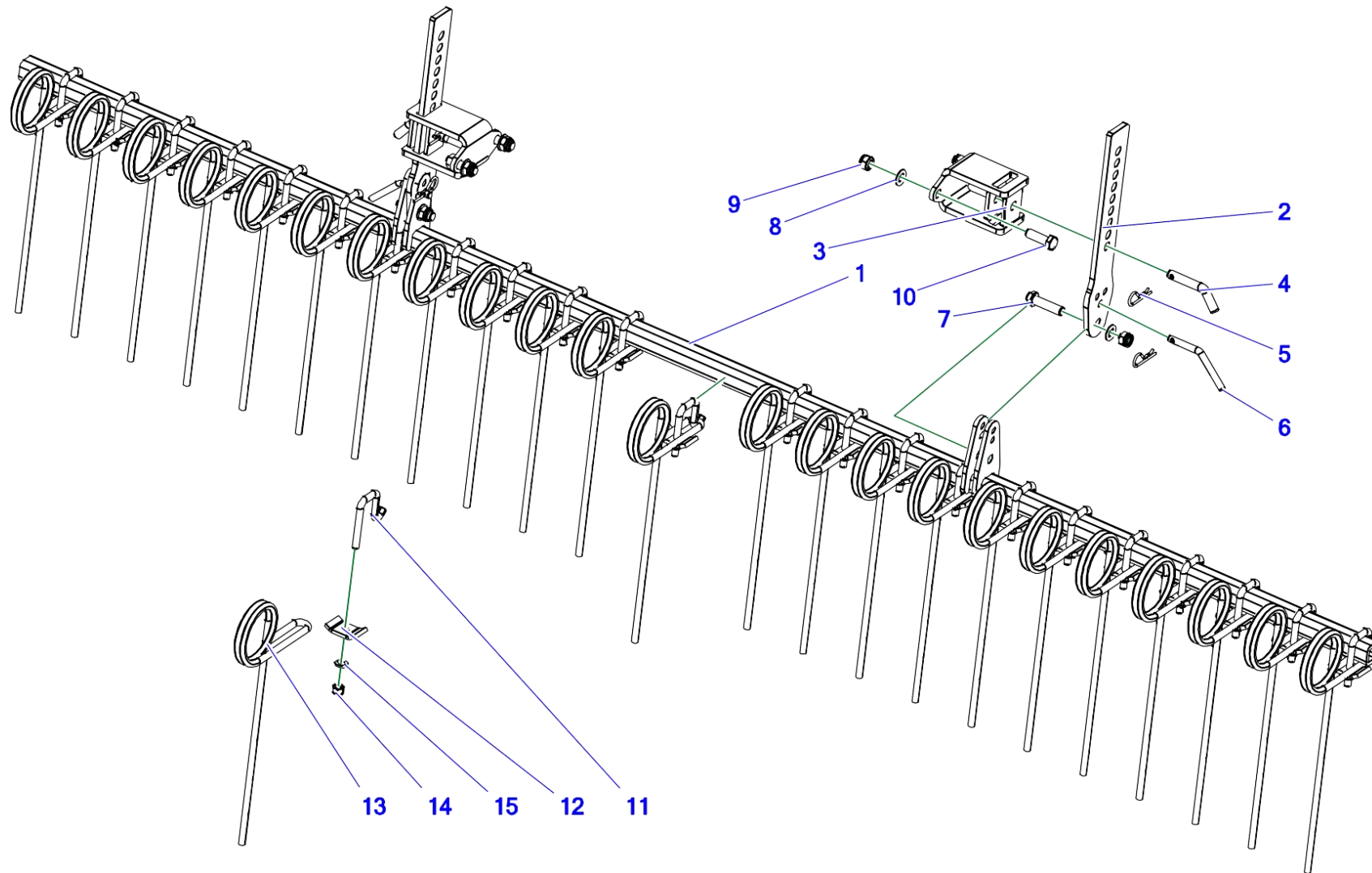


**Tabela 4.** Outer disc, complete

No.	Index	Volume	Index	Volume	Part or assembly name
	U-740 Mechanical adjustment		U-740 Hydraulic adjustment		
1	U-710 09.01.00.2	1	U-710 09.01.00.2	1	Outer front disc arm*
1	U-710 08.01.00.2	1	U-710 08.01.00.2	1	Outer rear disc arm*
2	POD-ODL-000020	1	POD-ODL-000020	1	Hub
3	U-710 08.01.04.1	1	U-710 08.01.04.1	1	Arm mounting
4	POD-OGL-000421	1	POD-OGL-000421	1	Cutting disc, dia 510
5	POD-LOZ-000098	2	POD-LOZ-000098	2	Bearing 30206 A
6	POD-LOZ-000099	1	POD-LOZ-000099	1	Bearing nut KM06
7	POD-LOZ-000100	1	POD-LOZ-000100	1	Bearing washer MB06
8	POD-ELZ-000393	5	POD-ELZ-000393	5	Carriage bolt 12 x 20 galv. 8.8 82406
9	POD-ELZ-000421	4	POD-ELZ-000421	4	Bolt M12 x 40 galv. 10.9 82105
10	23NS12OC	9	23NS12OC	9	Self-locking nut M12 galv. 82175
11	23P12OC	4	23P12OC	4	Round washer 12 galv. 82005
12	POD-HPZ-000079	1	POD-HPZ-000079	1	Simmering 36 x 62 x 7
13	23SM8	1	23SM8	1	Lubricating nipple M8 x 1.0 straight
14	POD-TSZ-000036	4	POD-TSZ-000036	4	Cultivator rubber shock absorber 35 x 210

\* The list of changes regarding the design of brackets can be found at the end of the catalogue.

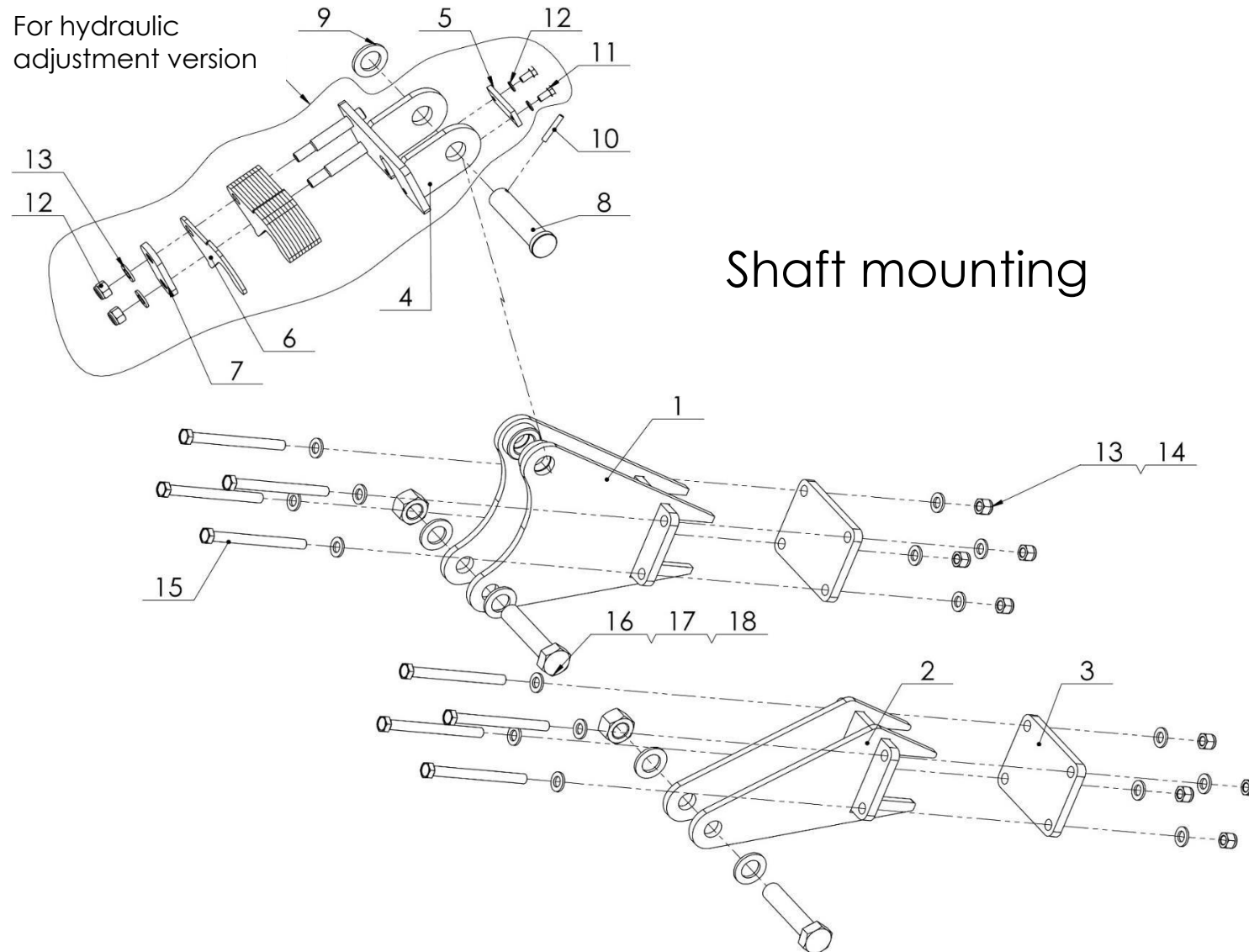
## 5. SPRING MOUNTING, COMPLETE



**Tabela 5.** Spring mounting

No.	Index	Volume	Index	Volume	Part or assembly name
	U-740 Mechanical adjustment		U-740 Hydraulic adjustment		
1	U-710 02.02.00	1	U-710 02.02.00	1	Spring mounting
2	U-710 02.00.01	2	U-710 02.00.01	2	Adjustment flat bar
3	U-710 02.06.00	2	U-710 02.06.00	2	Flat bar holder
4	U-710 02.00.08	2	U-710 02.00.08	2	Adjustment pin II
5	23ZRFI4	4	23ZRFI4	4	Elastic single cotter pin 4 (R-letter shaped, single)
6	U-710 02.00.07	2	U-710 02.00.07	2	Adjustment pin I
7	23S16/60 8.8 82101 OC	2	23S16/60 8.8 82101 OC	2	Bolt 16 x 60 galv. 8.8 82101 82101
8	23P16OOC	6	23P16OOC	6	Round washer 16 galv. 82005 82005
9	23NS16OC	6	23NS16OC	6	Self-locking nut M16 galv. 82175 8 82175 8
10	POD-ELZ-000402	4	POD-ELZ-000402	4	Bolt 16 x 45, galv.10.9 82105
11	U-710 02.10.01	24	U-710 02.10.01	24	Tine mounting
12	U-710 02.10.02	24	U-710 02.10.02	24	Spring retainer
13	POD-SPR-000048	24	POD-SPR-000048	24	12/121/530/2 (RNT - U-710 02.10.03) scraper spring
14	23NS12OC	24	23NS12OC	24	Self-locking nut M12 galv. 82175 8 82175 8
15	23P12OC	24	23P12OC	24	Round washer 12 galv. 82005

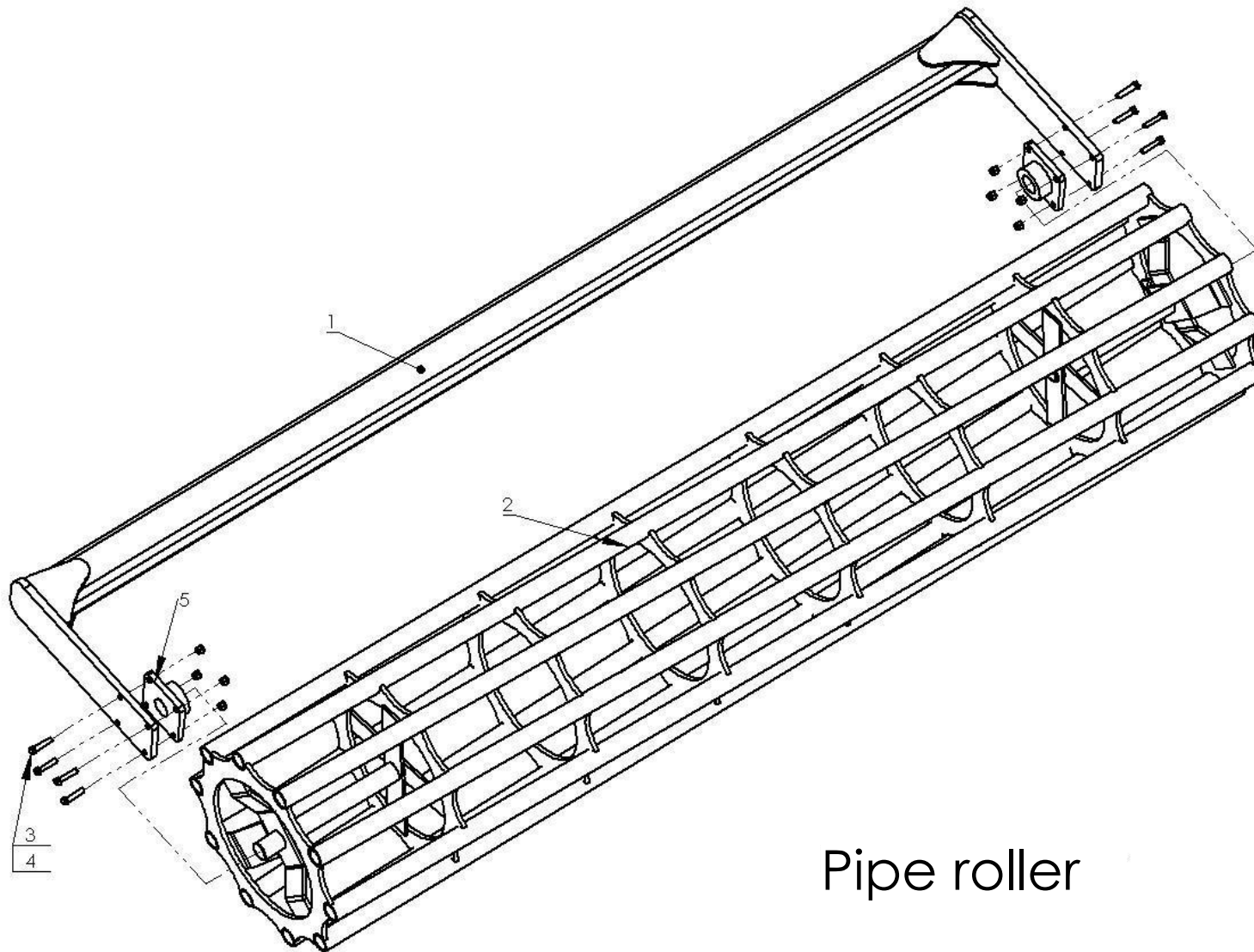
## 6. SHAFT MOUNTING



**Tabela 6.** Shaft mounting

No.	Index	Volume	Index	Volume	Part or assembly name
	U-740 Mechanical adjustment		U-740 Hydraulic adjustment		
1	U-710 02.08.00	1	U-710 02.08.00	1	Roller shaft bracket II
2	U-710 02.05.00	1	U-710 02.05.00	1	Roller shaft bracket I
3	U-710 02.05.02	2	U-710 02.05.02	2	Shaft mounting steel plate II
4	-	-	U-710 02.07.00	1	Cylinder Adjustment Handle
4	-	-	U-710 02.13.00	1	Cylinder Adjustment Handle II
5	-	-	U-710 02.00.02.1	1	Small cylinder plate
6	-	-	U-710 02.00.06.1	11	Cylinder retainer
7	-	-	U-710 02.00.03	1	Steel plate I
8	U-710 02.00.04	1	U-710 02.00.04	1	Small cylinder pin
9	23P36OOC	1	23P36OOC	1	Round washer 36 galv. 82005
10	23K8/50	1	23K8/50	1	Spring pin 8 x 50 DIN 1481
11	-	-	23S10/25OC 8.8	2	Bolt 10 x 25 galv. 82105
12	-	-	23P10SP	2	Spring washer 10.2, galv. 82008
13	23NS165OC	8	23NS165OC	10	Self-locking nut M16 galv. 82175 82
14	POD-ELZ-000384	16	POD-ELZ-000384	18	Round washer 16 galv. 82030
15	POD-ELZ-000385	8	POD-ELZ-000385	8	Bolt 16 x 180 10.9 galv. 82101
16	POD-ELZ-000387	2	POD-ELZ-000387	2	Bolt 30 x 140 10.9 galv. 82101
17	23P30OOC	4	23P30OOC	4	Round washer 30 galv. 82005
18	POD-ELZ-000042-1	2	POD-ELZ-000042-1	2	Self-locking nut M30 galv. 82175

## 7. PIPE ROLLER



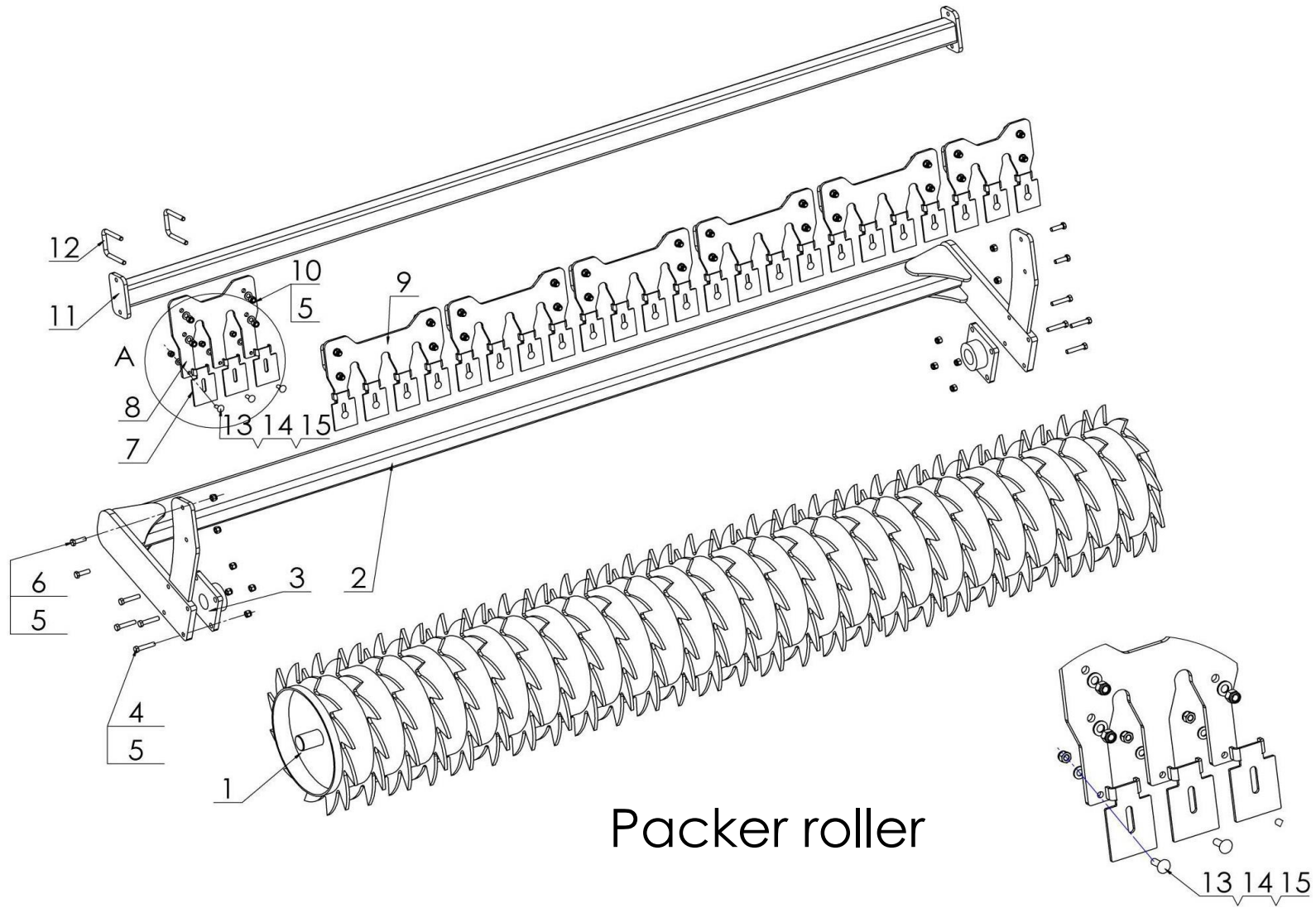
Pipe roller



**Tabela 7.** Pipe roller

No.	Index	Volume	Index	Volume	Part or assembly name
	U-740 Mechanical adjustment		U-740 Hydraulic adjustment		
1	U-710 04.01.00	1	U-710 04.01.00	1	Shaft hitch
2	U-710 04.02.00	1	U-710 04.02.00	1	Pipe roller
3	POD-ELZ-000053-1	8	POD-ELZ-000053-1	8	Bolt 12 x 60 galv. 10.9 82101
4	23NS12OC	8	23NS12OC	8	Self-locking nut M12 galv. 82175 8
5	POD-LOZ-000095	2	POD-LOZ-000095	2	Bearing unit UCF210

## 8. PACKER ROLLER FOR 2019

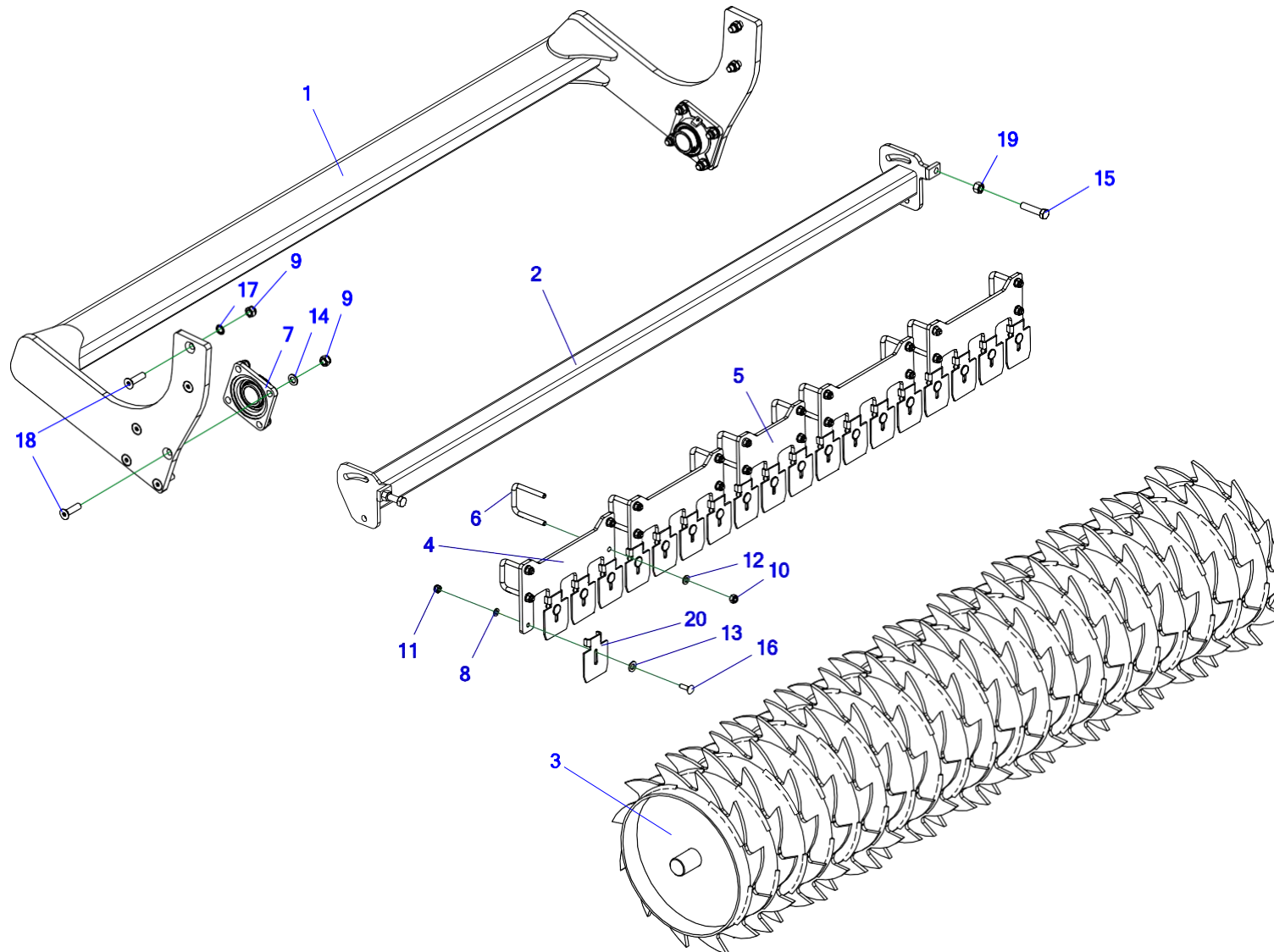


Packer roller

**Tabela 8.** Packer roller for 2019

No.	Index	Volume	Index	Volume	Part or assembly name
	U-740 Mechanical adjustment		U-740 Hydraulic adjustment		
1	U-710 14.02.00	1	U-710 14.02.00	1	Packer roller
2	U-710 14.01.00	1	U-710 14.01.00	1	Packer roller frame
3	POD-LOZ-000095	2	POD-LOZ-000095	2	Bearing unit UCF210
4	POD-ELZ-000053-1	8	POD-ELZ-000053-1	8	Bolt 12 x 60 galv. 10.9 82101
5	23NS12OC	40	23NS12OC	40	Self-locking nut M12 galv. 82175 8
6	23S12/40OC 8.8	4	23S12/40OC 8.8	4	Bolt 12 x 40 galv. 8.8 82105
7	U-710/1 14.00.07	26	U-710/1 14.00.07	26	Scraper plate
8	U-710/1 14.00.06	2	U-710/1 14.00.06	2	Scraper II
9	U-710/1 14.00.05	5	U-710/1 14.00.05	5	Scraper I
10	23P12OC	28	23P12OC	28	Washer M12 galv. 82005
11	U-710 14.03.00	1	U-710 14.03.00	1	Scraper tube, complete
12	U-710/1 14.00.08	14	U-710/1 14.00.08	14	Clamp
13	23S10/30OC 8.8	26	23S10/30OC 8.8	26	Bolt M10 x 30 8.8 82406
14	23NS10OC	26	23NS10OC	26	Self-locking nut M10 galv. 82175
15	23P10OC	26	23P10OC	26	Washer M10 galv. 82005

## 9. PACKER ROLLER FROM 2019



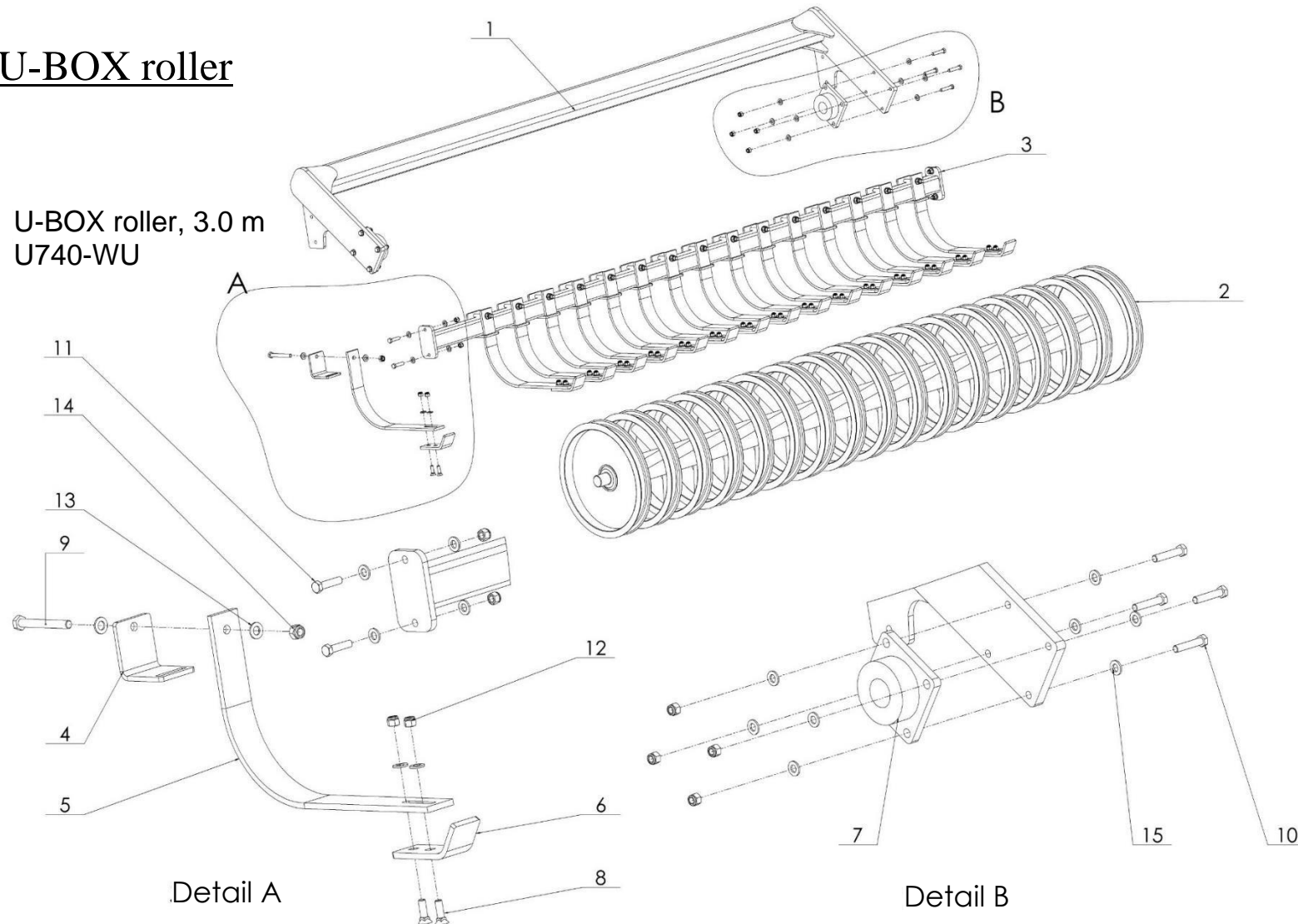
**Tabela 9.** Packer roller from 2019

No.	Index	Volume	Index	Volume	Part or assembly name
	U-740 Mechanical adjustment		U-740 Hydraulic adjustment		
1	U-710/1 17.01.00	1	U-710/1 17.01.00	1	D-D roller frame, 2.25 m
2	U-710/1 26.02.00	1	U-710/1 26.02.00	1	Packer roller scraper bar, dia. 400 mm, 2.25 m
3	U-710/1 26.01.00	1	U-710/1 26.01.00	1	Packer roller, dia. 400 mm, 2.25 m
4	U-710 26.00.02	4	U-710 26.00.02	4	Scraper mounting 2
5	U-710 26.00.01	1	U-710 26.00.01	1	Scraper mounting 1
6	U-710/1 14.00.08	10	U-710/1 14.00.08	10	Clamp
7	POD-LOZ-000244	2	POD-LOZ-000244	2	Bearing assembly FY 50 TR
8	23P10OOC	19	23P10OOC	19	Round washer 10, black 82005 82005
9	23NS16OC	12	23NS16OC	12	Self-locking nut M16 galv. 82175 8 82175 8
10	23NS12OC	20	23NS12OC	20	Self-locking nut M12 galv. 82175 8 82175 8
11	23NS10OC	19	23NS10OC	19	Self-locking nut M10 galv. 82175 8 82175 8
12	23P12OC	20	23P12OC	20	Round washer 12 galv. 82005
13	23P14OC	19	23P14OC	19	Round washer 14, galv. 82005 82005
14	23P16OOC	8	23P16OOC	8	Round washer 16 galv. 82005 82005
15	23S16/70	2	23S16/70	2	Bolt 16 x 70 galv. 8.8 82101 82101

# 10. U-BOX ROLLER

## U-BOX roller

U-BOX roller, 3.0 m  
U740-WU



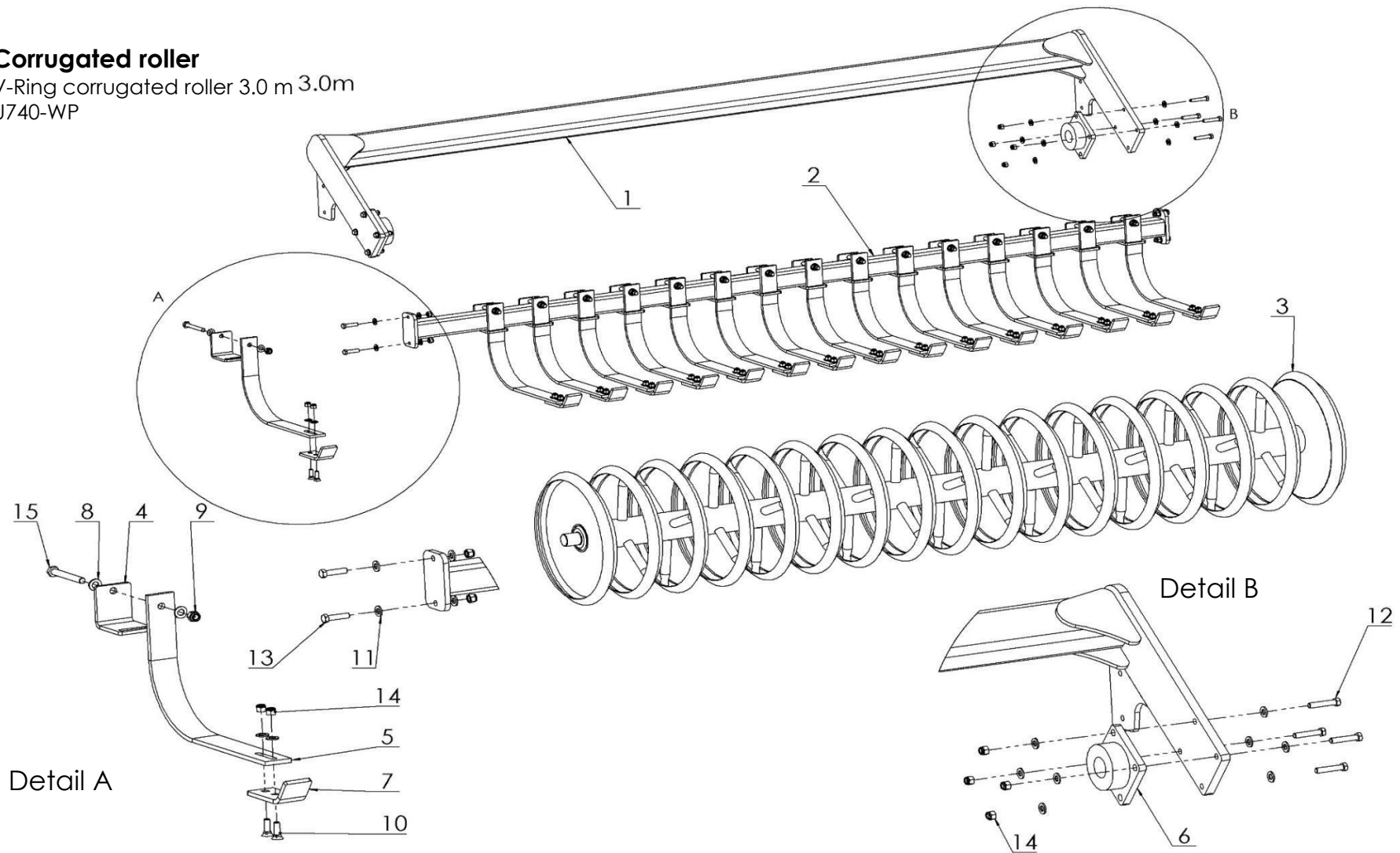
**Tabela 10.** U-BOX roller

No.	Index	Volume	Index	Volume	Part or assembly name
	U-740 Mechanical adjustment		U-740 Hydraulic adjustment		
1	U-740 05.02.00	1	U-740 05.02.00	1	U-box roller frame
2	U-740 05.01.00	1	U-740 05.01.00	1	Shaft
3	U-710 14.03.00	1	U-710 14.03.00	1	Scraper tube, complete
4	U-740 05.00.01	16	U-740 05.00.01	16	Spring mounting
5	POD-EOS-000371	16	POD-EOS-000371	16	Smoothing harrow arm
6	POD-OGL-000544	16	POD-OGL-000544	16	Tabo Point
7	POD-LOZ-000095	2	POD-LOZ-000095	2	Bearing assembly UCF210
8	POD-ELZ-000647	32	POD-ELZ-000647	32	Lock bolt 12 x 40 82402 8.8 black.
9	POD-ELZ-000635	16	POD-ELZ-000635	16	Bolt 14 x 120 galv. 82101 10.9
10	POD-ELZ-00053-1	8	POD-ELZ-00053-1	8	Bolt M12 x 60
11	23S12-50OC 8.8	4	23S12-50OC 8.8	4	Bolt M12 x 50 galv. 8.8 82101
12	23NS12OC	44	23NS12OC	44	Self-locking nut M12
13	23P14OC	32	23P14OC	32	Round washer 14 galv. 82005
14	23NS14OC	16	23NS14OC	16	Self-locking nut M14 galv. 82758
15	23P12OC	56	23P12OC	56	M12 washer

# 11. CORRUGATED ROLLER

## Corrugated roller

V-Ring corrugated roller 3.0 m 3.0m  
U740-WP



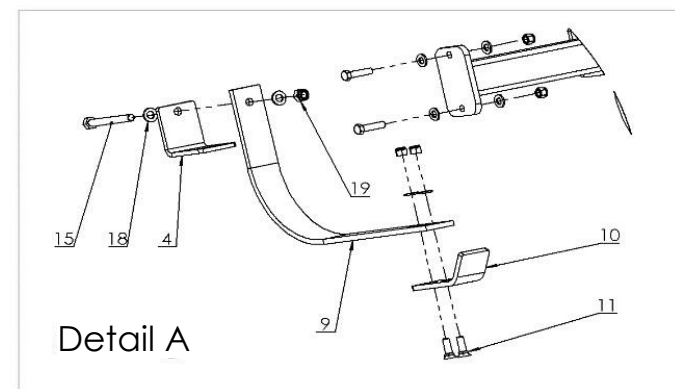
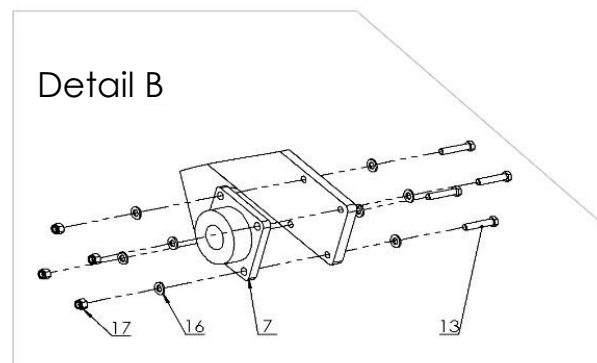
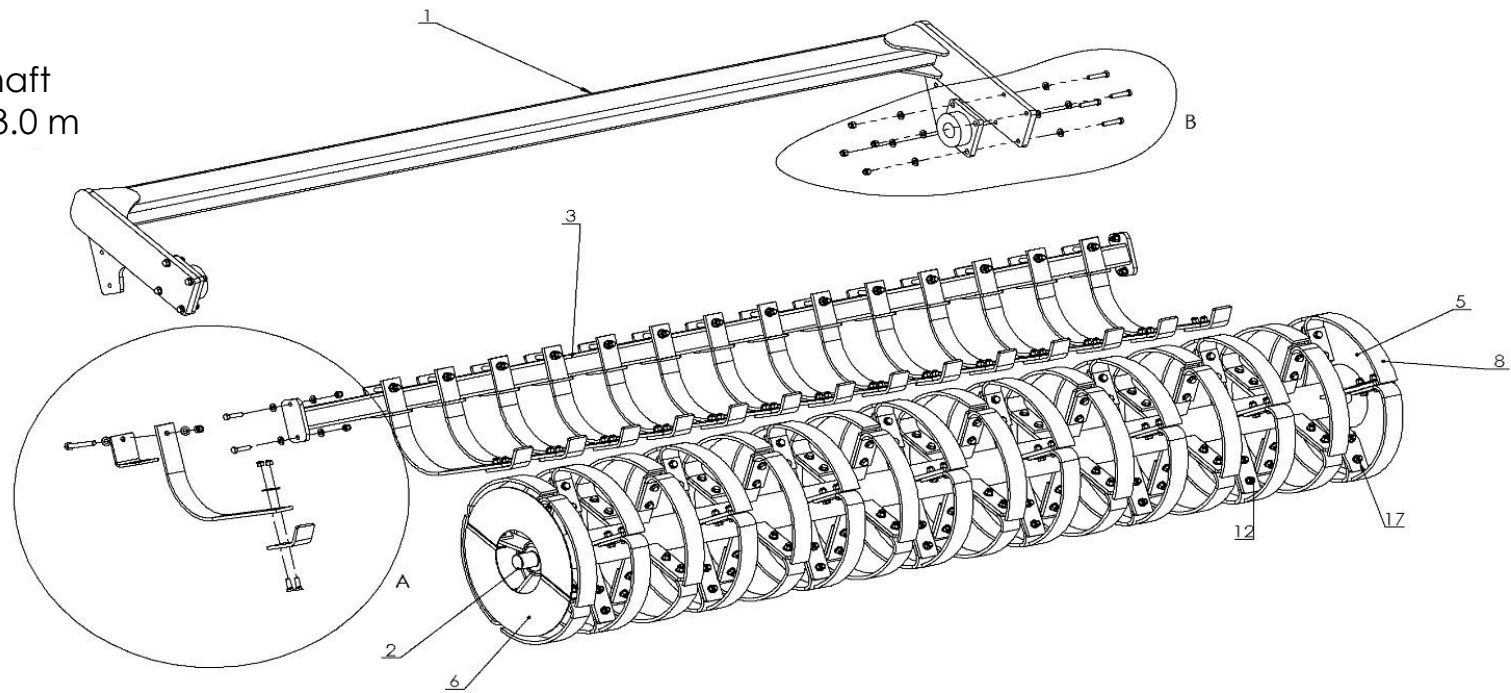


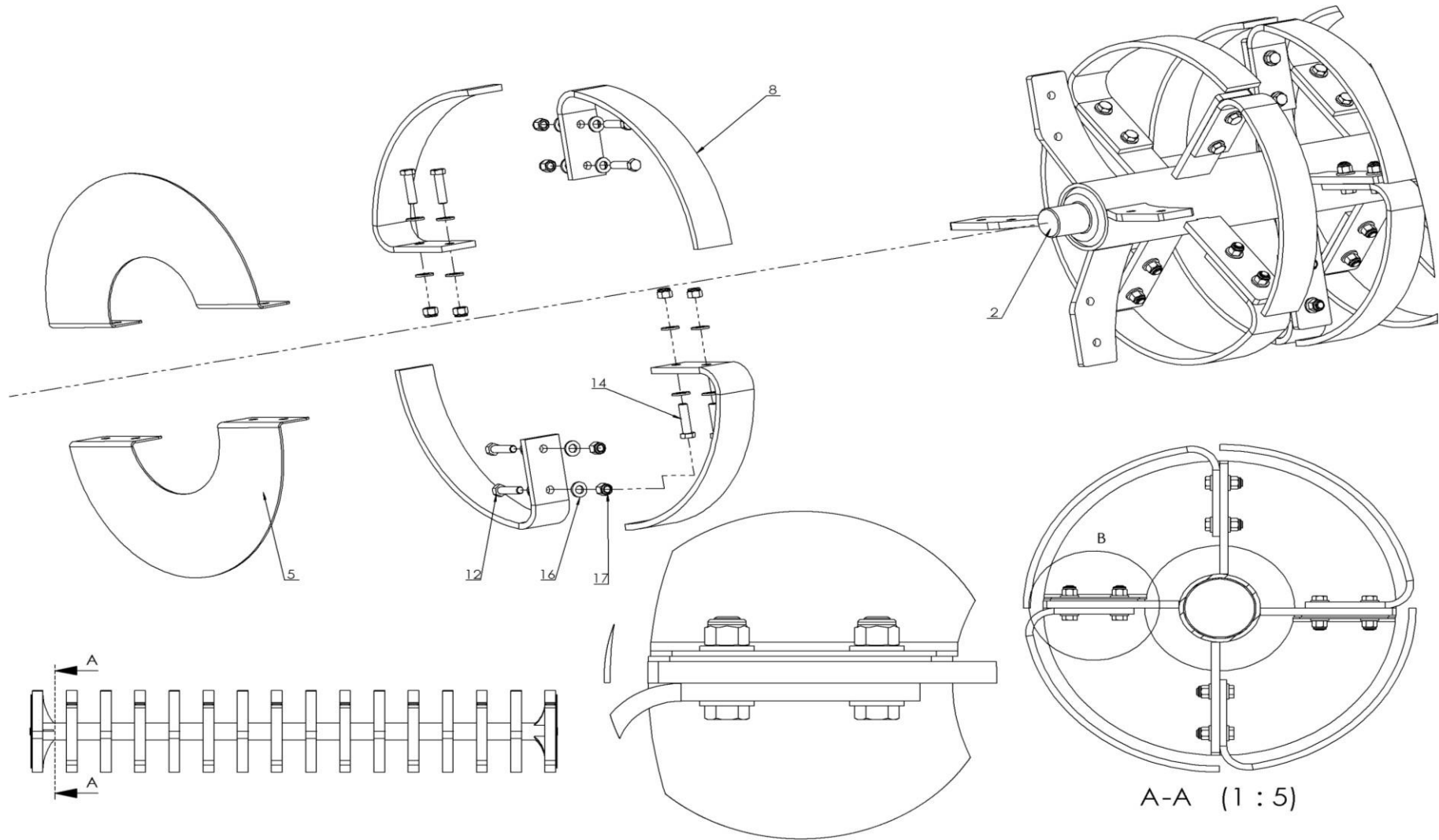
**Tabela 11.** Corrugated roller

No.	Index	Volume	Index	Volume	Part or assembly name
	U-740 Mechanical adjustment		U-740 Hydraulic adjustment		
1	U-740 05.02.00	1	U-740 05.02.00	1	Frame
2	U-710 14.03.00	1	U-710 14.03.00	1	Scraper tube, complete
3	U-740 15.01.00	1	U-740 15.01.00	1	Shaft
4	U-740 05.00.01	16	U-740 05.00.01	16	Spring mounting
5	POD-EOS-000371	16	POD-EOS-000371	16	Smoothing harrow arm
6	POD-LOZ 000095	2	POD-LOZ 000095	2	Bearing assembly UCF210
7	POD-OGL-000544	16	POD-OGL-000544	16	Tabo Point
8	23P14OC	32	23P14OC	32	Round washer 14 galv. 82005
9	23NS14OC	16	23NS14OC	16	Self-locking nut M14 galv. 82175 8
10	POD-ELZ-000647	32	POD-ELZ-000647	32	Lock bolt 12 x 40 82402 9.8 black
11	23P12OC	56	23P12OC	56	M12 washer
12	POD-ELZ-000053-1	8	POD-ELZ-000053-1	8	Bolt M12 x 60
13	23S12/50 8.8	4	23S12/50 8.8	4	Bolt M12 x 50
14	23NS12OC	44	23NS12OC	44	Self-locking nut M12
15	POD-ELZ-000635	16	POD-ELZ-000635	16	Bolt 14 x 120 galv. 82101 10.9

## 12. FLEXIBLE SHAFT

Flexible shaft  
U740-WS 3.0 m

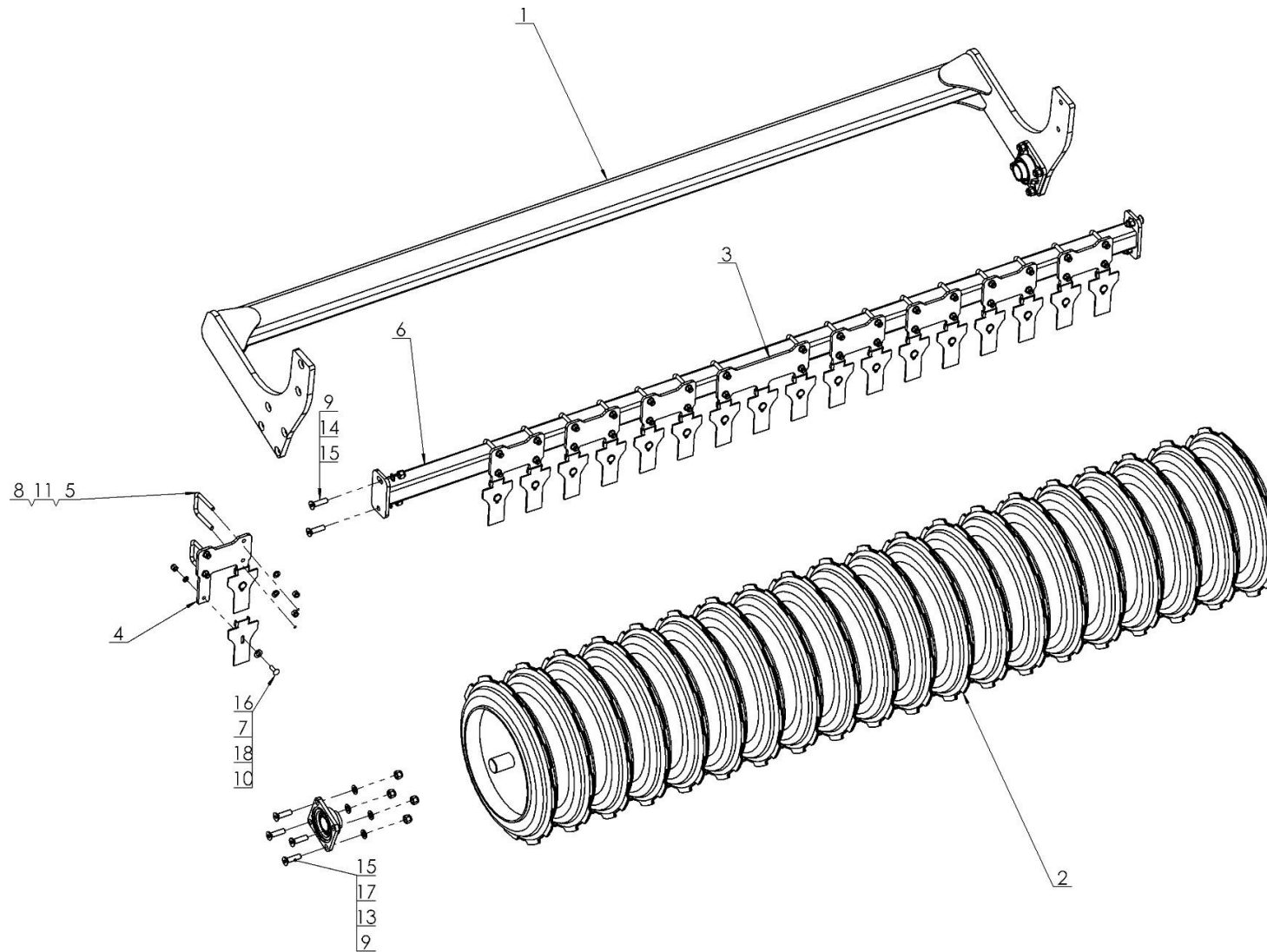




**Tabela 12.** Flexible shaft

No.	Index	Volume	Index	Volume	Part or assembly name
	U-740 Mechanical adjustment		U-740 Hydraulic adjustment		
1	U-740 05.02.00	1	U-740 05.02.00	1	Frame
2	U-740 04.01.00	1	U-740 04.01.00	1	Shaft
3	U-710 14.03.00	1	U-710 14.03.00	1	Scraper tube, complete
4	U-740 05.00.01	15	U-740 05.00.01	15	Spring mounting
5	U-740 04.00.02	2	U-740 04.00.02	2	Guard 1
6	U-740 04.00.02	2	U-740 04.00.02	2	Guard 2
7	POD-LOZ-000095	2	POD-LOZ-000095	2	Bearing assembly UCF210
8	POD-EOS-000372	56	POD-EOS-000372	56	FLEX shaft rim
9	POD-EOS-000371	15	POD-EOS-000371	15	Smoothing harrow arm
10	POD-OGL-000544	15	POD-OGL-000544	15	Tabo Point
11	POD-ELZ-000647	30	POD-ELZ-000647	30	Lock bolt 12 x 40 82402 8.8 black.
12	23S12/45 8.8 galv.	120	23S12/45 8.8 galv.	120	Bolt 12 x 45 galv. 82101
13	POD-ELZ-000053-1	8	POD-ELZ-000053-1	8	Bolt M12 x 60
14	23S12/50OC	12	23S12/50OC	12	Bolt 12 x 50 galv. 8.8 82101
15	POD-ELZ-000635	15	POD-ELZ-000635	15	Bolt 14 x 120 galv. 82101 10.9
16	23P120OC	340	23P120OC	340	M12 washer
17	23NS12OC	185	23NS12OC	185	Nut M12 x 1.5-8.8
18	23P14OC	16	23P14OC	16	Round washer 14 galv. 82005
19	23NS14OC	16	23NS14OC	16	Self-locking nut M14 galv. 82175 8

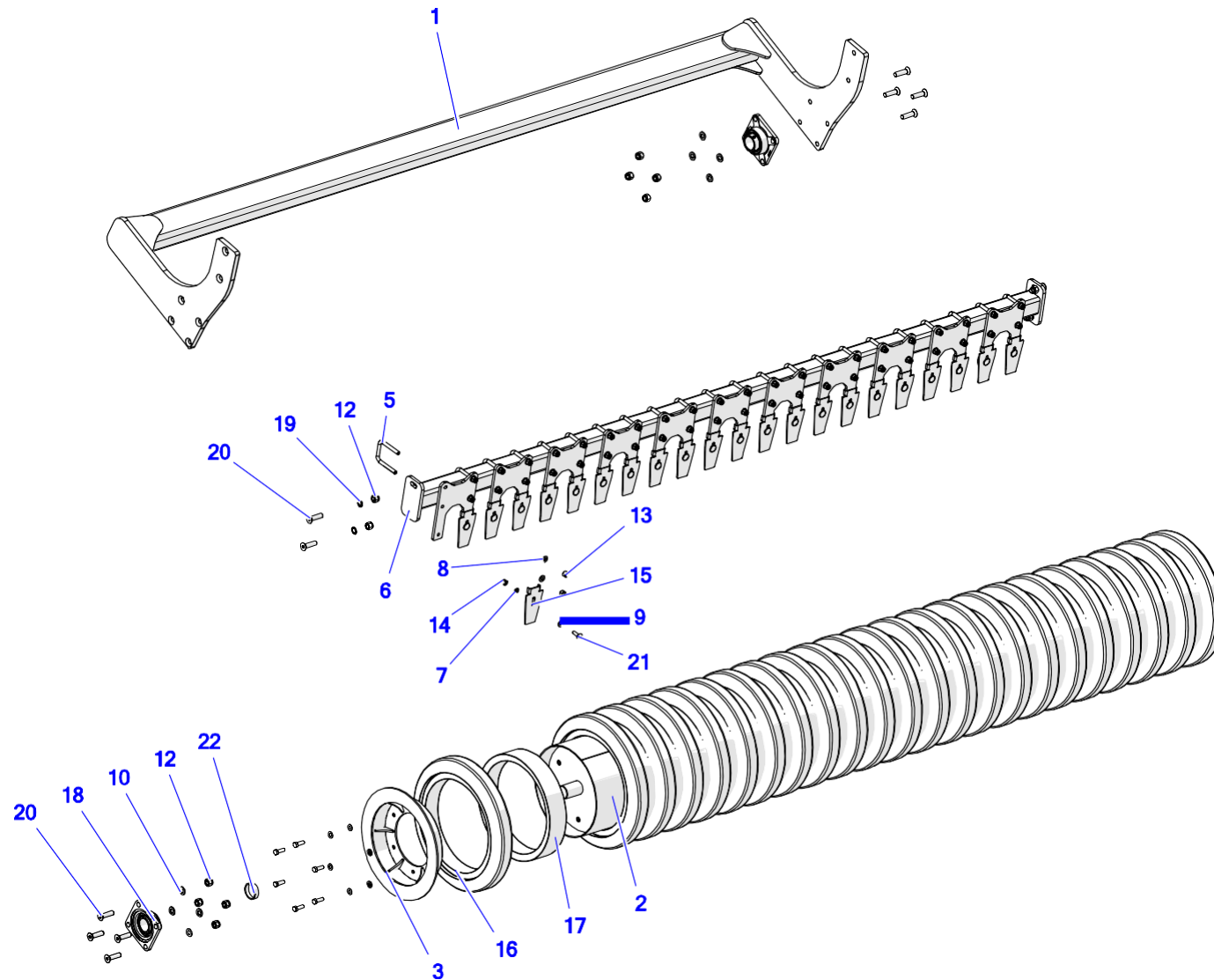
### 13. D-D TYPE CULTIVATOR



**Tabela 13.** D-D type cultivator

No.	Index	Volume	Index	Volume	Part or assembly name
	U-740 Mechanical adjustment		U-740 Hydraulic adjustment		
1	U-740 17.01.00	1	U-740 17.01.00	1	D-D Shaft frame
2	U-740 17.02.00	1	U-740 17.02.00	1	D-D Shaft
3	U-740 17.00.01	1	U-740 17.00.01	1	Scraper bracket
4	U-740 17.00.02	8	U-740 17.00.02	8	Scraper bracket II
5	U710-1 14.00.08	18	U710-1 14.00.08	18	Clamp
6	U490 02.03.00	1	U490 02.03.00	1	Scraper tube, complete
7	23NS10OC	19	23NS10OC	19	Self-locking nut M10 galv. 82175 8
8	23NS12OC	36	23NS12OC	36	Self-locking nut M12
9	23NS16OC	12	23NS16OC	12	Self-locking nut M16 galv. 82175 8
10	23P10 82005	19	23P10 82005	19	Round washer 10 galv. 82005
11	23P12OC	36	23P12OC	36	Round washer 12 galv. 82005
12	23P14OC	19	23P14OC	19	Round washer 14 galv. 82005
13	23P16OOC	8	23P16OOC	8	Round washer 16 galv. 82005
14	POD-ELZ-000705	4	POD-ELZ-000705	4	External fan-shaped washer 16 galv. DIN 6798A
15	POD-ELZ-000693	12	POD-ELZ-000693	12	Countersunk screw 16 x 60 galv. DIN7991 10.9
16	POD-ELZ-000084	19	POD-ELZ-000084	19	Carriage bolt 10 x 35 galv. 8.8 82406
17	POD-LOZ-000244	2	POD-LOZ-000244	2	Bearing assembly FY 50 TR SKF
18	POD-OGL-000724	19	POD-OGL-000724	19	Seed tine

# 14. RUBBER CULTIVATING ROLLER

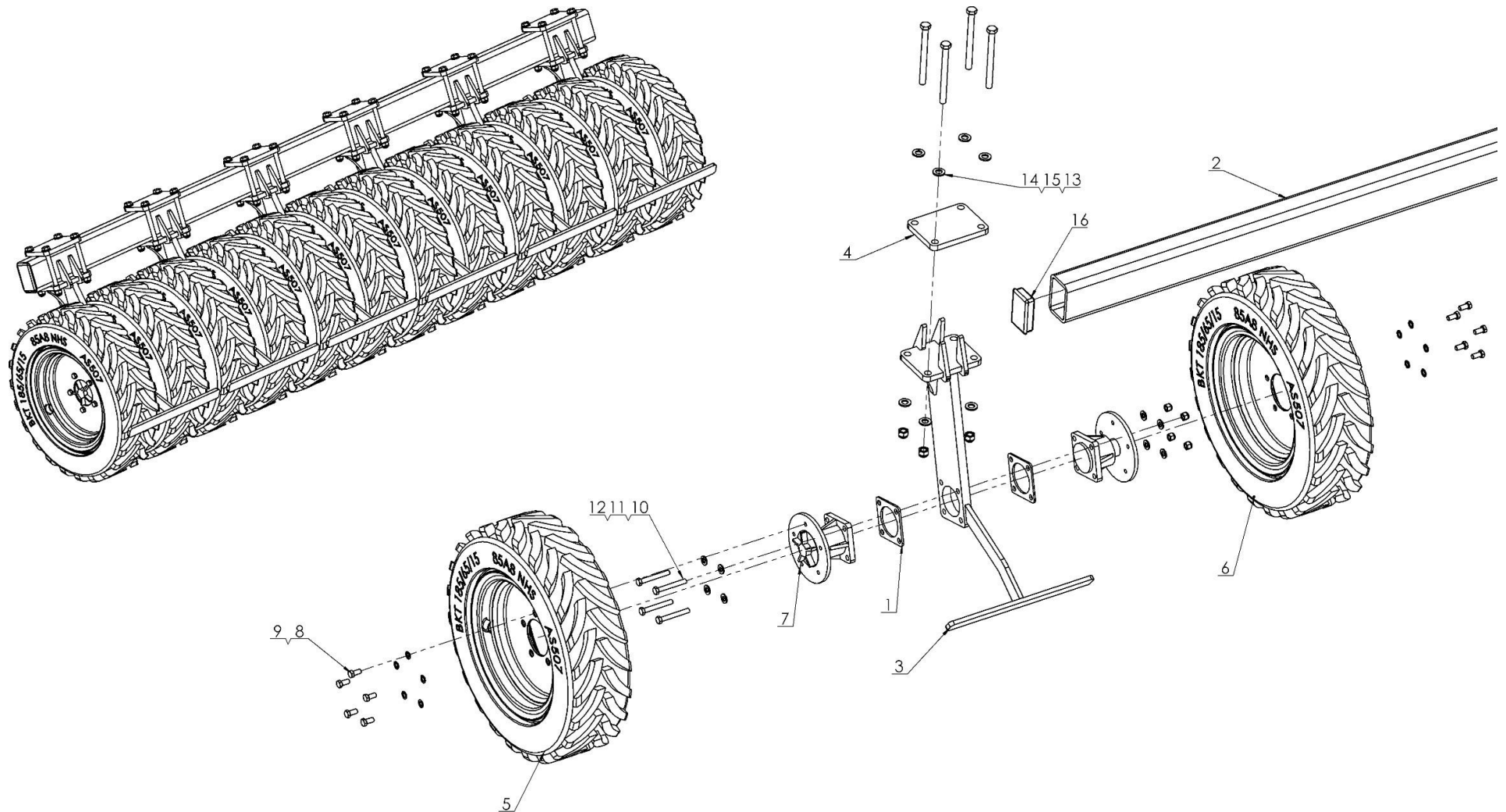


**Tabela 14.** Rubber cultivating roller

No.	Index	Volume	Index	Volume	Part or assembly name
	U-740 Mechanical adjustment		U-740 Hydraulic adjustment		
1	U-740 17.01.00	1	U-740 17.01.00	1	D-D Shaft frame
2	U-740 06.01.00	1	U-740 06.01.00	1	Shaft
3	U-740 06.02.00	2	U-740 06.02.00	2	Flange
4	U-740 06.00.01	11	U-740 06.00.01	11	Rubber roller scraper bracket
5	U710-1 14.00.08	22	U710-1 14.00.08	22	Clamp
6	U490 02.03.00	1	U490 02.03.00	1	Scraper tube, complete
7	23P10 82005	22	23P10 82005	22	Round washer 10 galv. 82005
8	23P12OC	56	23P12OC	56	Round washer 12 galv. 82005
9	23P14OC	22	23P14OC	22	Round washer 14 galv. 82005
10	23P16OOC	8	23P16OOC	8	Round washer 16 galv. 82005
11	23S12-35OC 8.8	12	23S12-35OC 8.8	12	Bolt 12 x 35 galv. 82105
12	23NS16OC	12	23NS16OC	12	Self-locking nut M16 galv. 82175 8
13	23NS12OC	44	23NS12OC	44	Self-locking nut M12
14	23NS10OC	22	23NS10OC	22	Self-locking nut M10 galv. 82175 8
15	POD-OGL-000754	22	POD-OGL-000754	22	Rubber shaft - scraper
16	POD-TSZ-000187	23	POD-TSZ-000187	23	Rubber wheel for rubber shaft, dia 500 mm
17	POD-TSZ-000188	22	POD-TSZ-000188	22	Rubber pad for rubber shaft
18	POD-LOZ-000244	2	POD-LOZ-000244	2	Bearing assembly FY 50 TR SKF
19	POD-ELZ-000705	4	POD-ELZ-000705	4	External fan-shaped washer 16 galv. DIN 6798A
20	POD-ELZ-000693	12	POD-ELZ-000693	12	Countersunk screw 16 x 60 galv. DIN7991 10.9
21	POD-ELZ-000084	22	POD-ELZ-000084	22	Carriage bolt 10 x 35 galv. 8.8 82406
22	U-740 06.00.02	2	U-740 06.00.02	2	Bearing spacer bushing



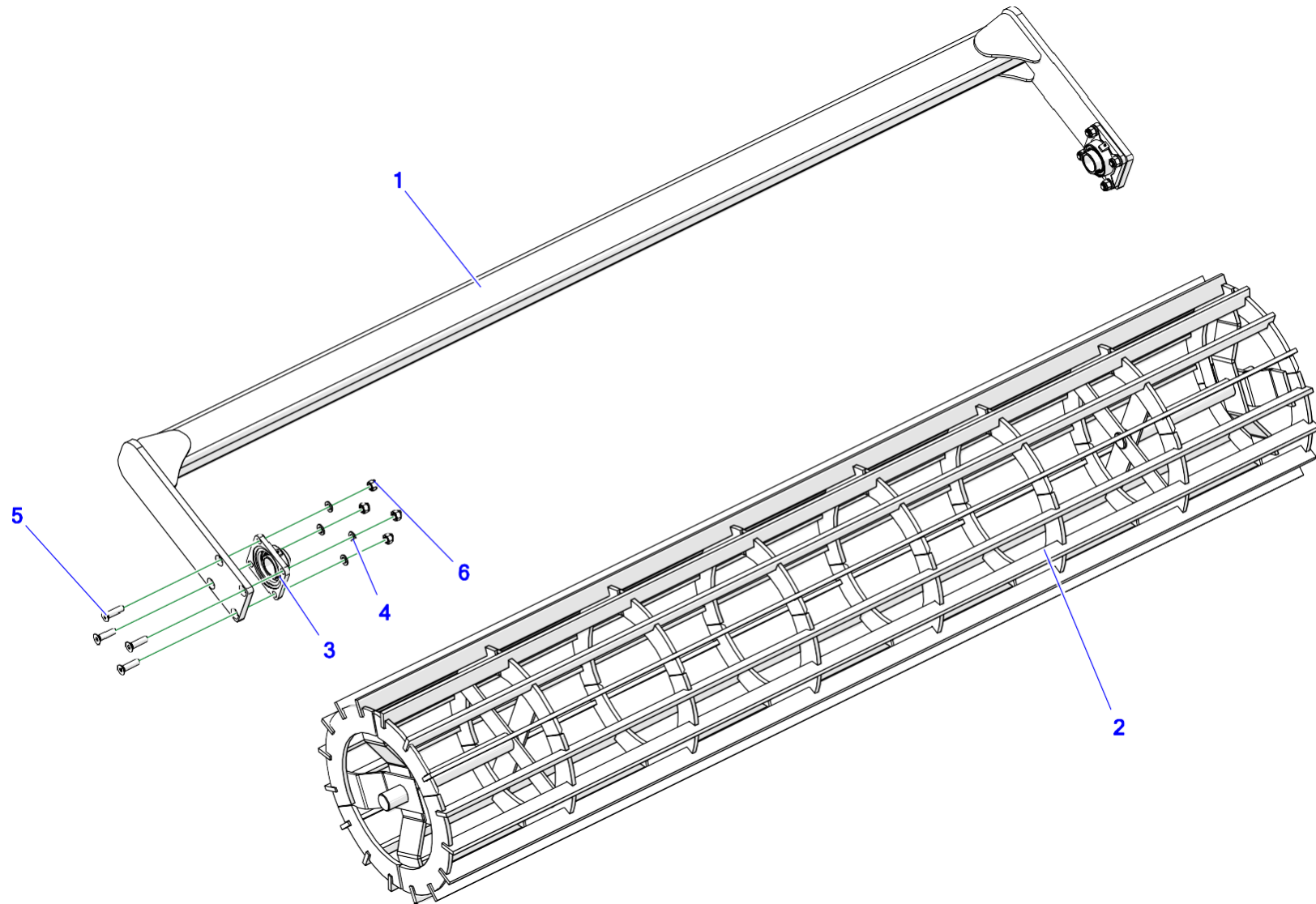
**15. TYRE WHEEL CULTIVATING ROLLER**



**Tabela 15.** Tyre wheel cultivating roller

No.	Index	Volume	Index	Volume	Part or assembly name
	U-740 Mechanical adjustment		U-740 Hydraulic adjustment		
1	U-740 16.00.01	12	U-740 16.00.01	12	Wheel hub spacer
2	U-740 16.00.02	1	U-740 16.00.02	1	Bracket mounting bar
3	U-740 16.01.00	6	U-740 16.01.00	6	Wheel support
4	U-710 02.05.02M	6	U-710 02.05.02M	6	Shaft mounting steel plate II
5	POD-KOL-000037	6	POD-KOL-000037	6	Tyre shaft wheel, left
6	POD-KOL-000038	6	POD-KOL-000038	6	Tyre shaft wheel, right
7	POD-KOS-000174	12	POD-KOS-000174	12	Tyre shaft hub
8	POD-ELZ-000689	60	POD-ELZ-000689	60	Bolt 12 x 25 galv. 10.9
9	POD-ELZ-000690	60	POD-ELZ-000690	60	Spring washer 12 for wheels 12 DIN 74361 C
10	23S12-90 101OC	24	23S12-90 101OC	24	Bolt 12 x 90 galv. 82101
11	23P12OC	48	23P12OC	48	M12 washer
12	23NS12OC	24	23NS12OC	24	Self-locking nut M12
13	POD-ELZ-000385	24	POD-ELZ-000385	24	Bolt 16 x 180 10.9 galv. 82101
14	23P16OOC	48	23P16OOC	48	Round washer 16 galv. 82005
15	23NS16OC	24	23NS16OC	24	Self-locking nut m16 galv. 82175 8
16	POD-TSZ-000173	2	POD-TSZ-000173	2	Stopper, square int. 110 x 70 mm, black (Es-057815069903)

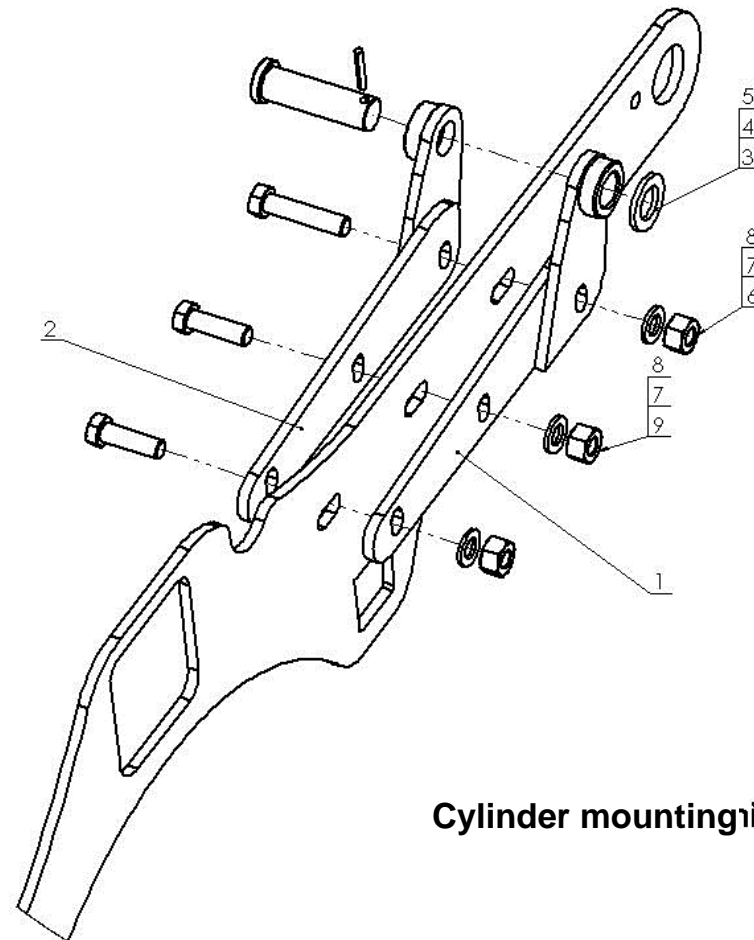
**16. STRING ROLLER**



**Tabela 16.** String roller

No.	Index	Volume	Index	Volume	Part or assembly name
	U-740Mechanical adjustment		U-740 Hydraulic adjustment		
1	U-710 04.01.00	1	U-710 04.01.00	1	Shaft hitch
2	U-740 18.01.00	1	U-740 18.01.00	1	String roller 3 m / 2.25 m
3	POD-LOZ-000244	2	POD-LOZ-000244	2	Bearing assembly FY 50 TR
4	23P16OOC	8	23P16OOC	8	Round washer 16 galv. 82005 82005
5	POD-ELZ-000693	8	POD-ELZ-000693	8	Counter sunk Allen screw 16 x 60 galv. 10.9 DIN7991
6	23NS16OC	8	23NS16OC	8	Self-locking nut M16 galv. 82175 8 82175 8

## 17. CYLINDER MOUNTING

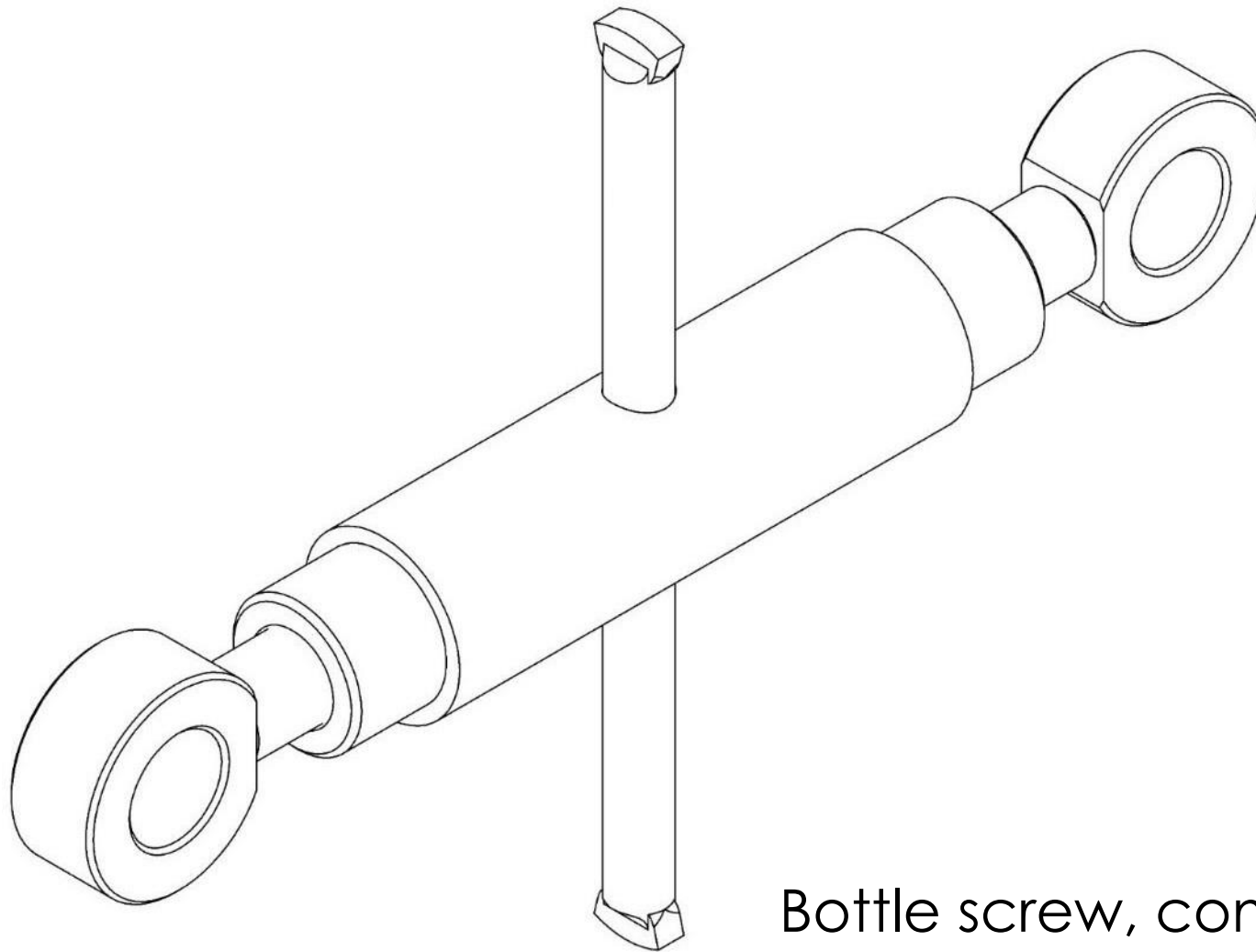


Cylinder mountingika

**Tabela 17.** Cylinder mounting

No.	Index	Volume	Index	Volume	Part or assembly name
	U-740 Mechanical adjustment		U-740 Hydraulic adjustment		
1	U-710 02.03.00.3	1	U-710 02.03.00.3	1	Cylinder bracket, left
2	U-710 02.04.00.3	1	U-710 02.04.00.3	1	Cylinder bracket, right
3	U-710 02.00.05	1	U-710 02.00.05	1	Small cylinder pin I
4	23P36OOC	1	23P36OOC	1	Round washer 36 galv. 82005
5	23K8/50	1	23K8/50	1	Spring pin 8 x 50 DIN 1481
6	23S20/90 8.8 101	1	23S20/90 8.8 101	1	Bolt 20 x 90 galv. 82101
7	23P20OOC	3	23P20OOC	3	Round washer 20 galv. 82005
8	23NS20OC 82175	3	23NS20OC 82175	3	Self-locking nut M20 galv. 82175
9	POD-ELZ-000386	2	POD-ELZ-000386	2	Bolt 20 x 65 galv. 10.9 82101

**18. BOTTLE SCREW**



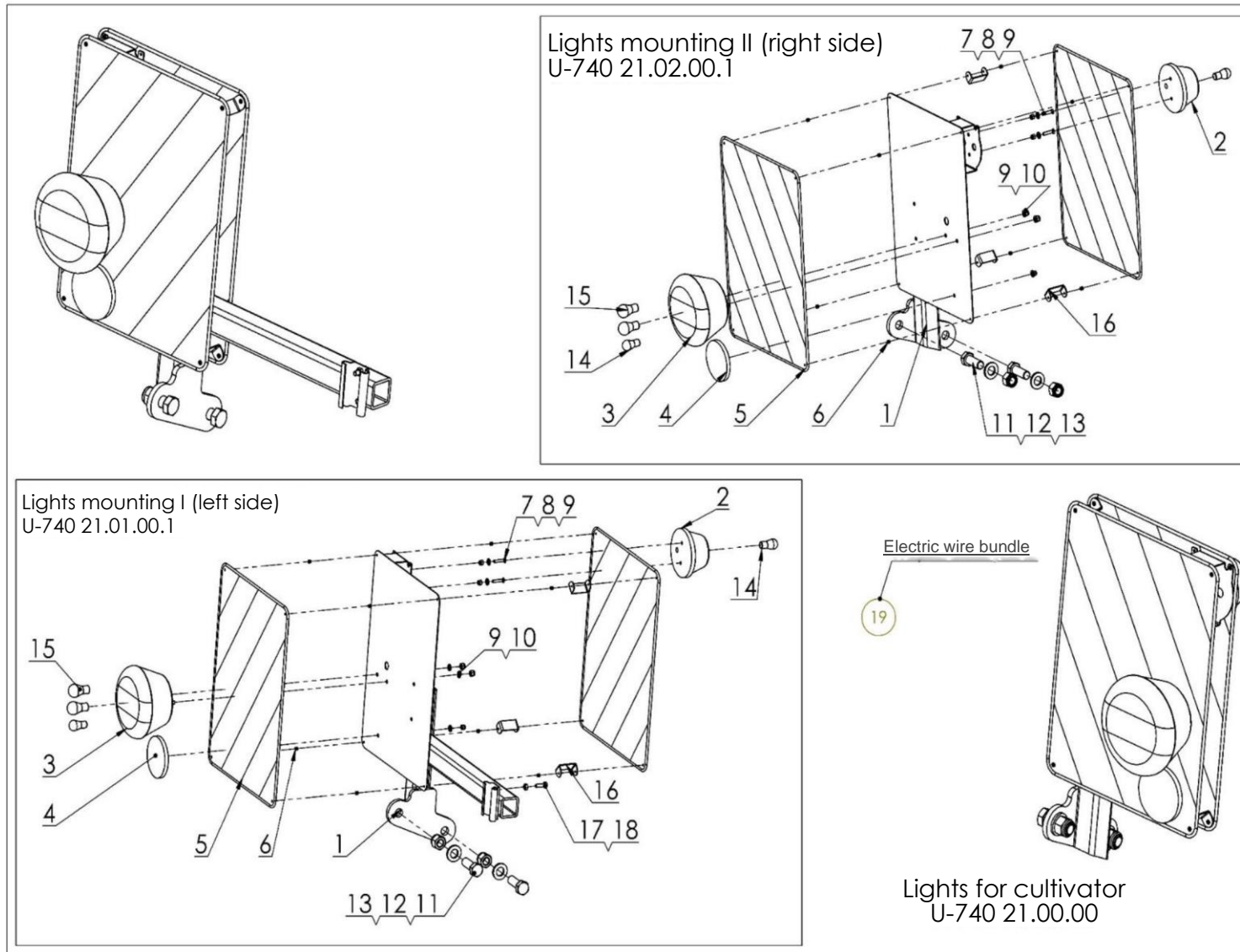
Bottle screw, complete

**Tabela 18.** Bottle screw

No.	Index	Volume	Index	Volume	Part or assembly name
	U-740 Mechanical adjustment		U-740 Hydraulic adjustment		
1	U-740 03.00.00	2	-	-	Bottle screw, complete



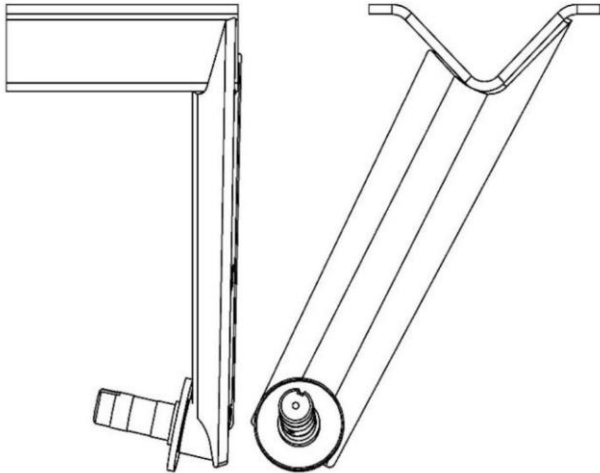
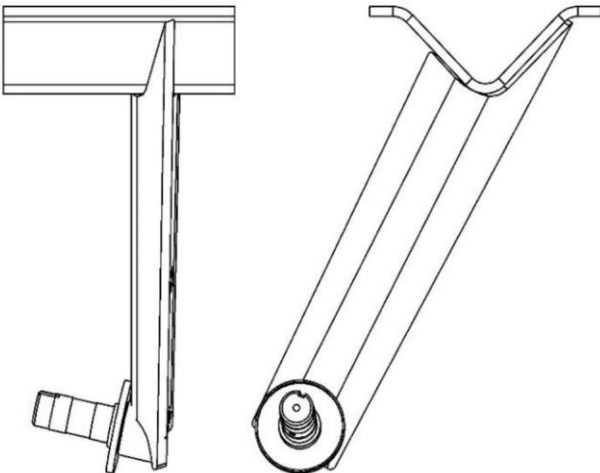
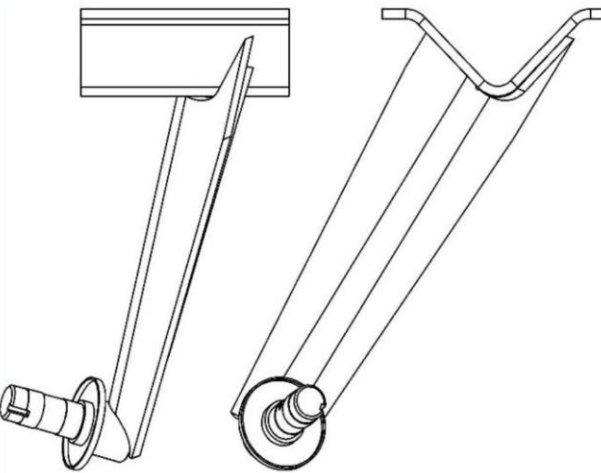
## 19. SIGNAL LIGHTS



**Tabela 19.** Signal lights

No.	Index	Volume		Part or assembly name
	U-740 mechanical / hydraulic adjustment	Left side mounting	Right side mounting	
1	U-740 21.01.10.1	1	1	Lights bracket I, left
1	U-740 21.02.10.1	1	1	Light bracket II, right
2	26LP	1	1	Front position lamp E92D
3	POD-ELK-000064	1	1	Multifunctional rear lamp AVIA LTZ 239
4	POD-ELK-000149	1	1	Round reflector, red
5	POD-ELK-000155	2	2	White and red warning board
6	23NIT3X10	8	8	Blind rivet 3 x 10
7	POD-ELZ-000509	2	2	Countersunk screw 5 x 25 galv. DIN7991
8	POD-ELZ-000471	2	2	Self-locking nut M5 galv. 82175 8
9	23NS6OC	2	2	Self-locking nut M6 galv. 82175 8
10	23P6OOC	4	4	Round washer 6 galv. 82005
11	POD-ELZ-000045-1	2	2	Bolt M10 x 40 82101 8.8
12	23NS10OC	2	2	Self-locking nut M10 galv. 82175 8
13	23P10 82005	2	2	Round washer 10 galv. 82005
14	26Z12V5W	2	2	Bulb 12V5W
15	26Z12V21W	2	2	Bulb 12V21W (P21W)
16	U-710 21.00.01	3	3	Reinforcement
17	23S6/25OC 105	1	-	Bolt M6 x 25
18	23N6OC	1	-	Nut M6 galv.
19	POD-ELK-000176	1		Electric wire bundle

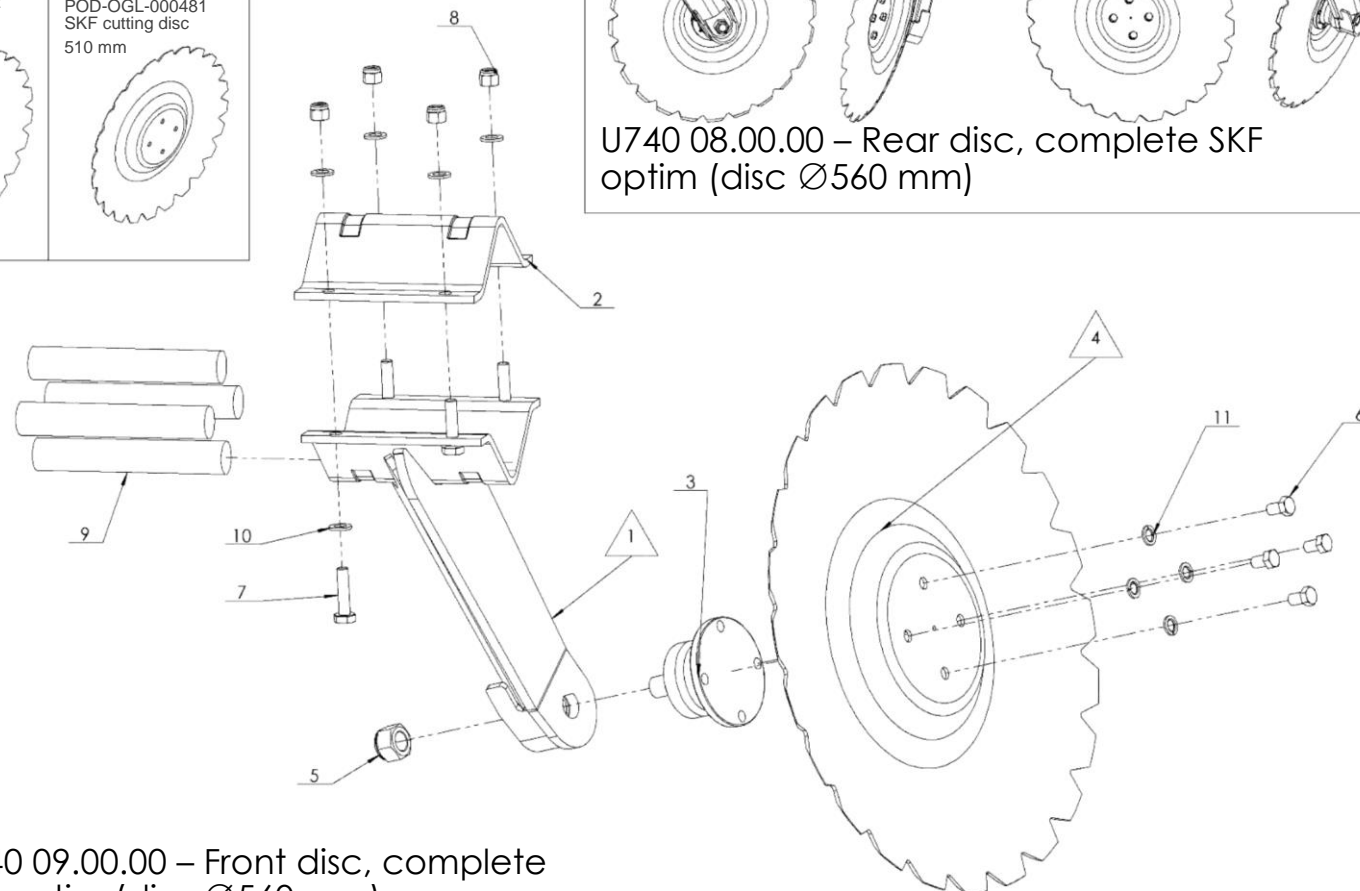
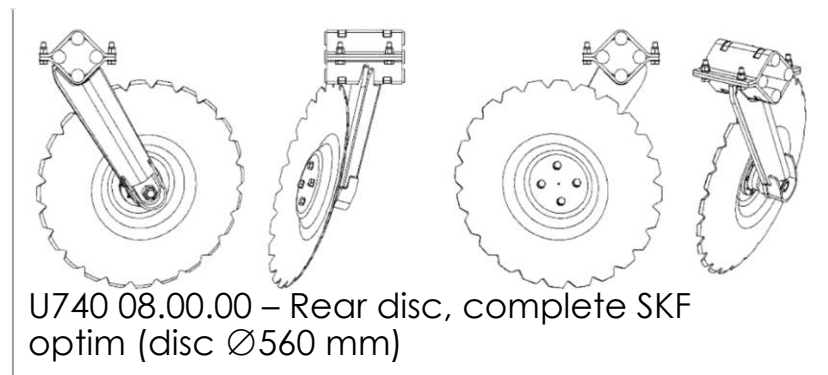
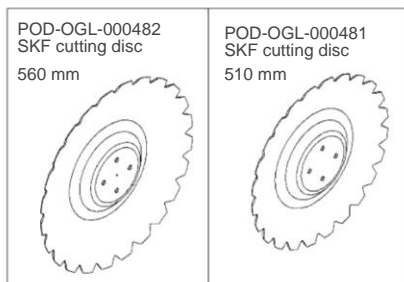
## 20. LIST OF DISC SUPPORT MODIFICATIONS FOR U740, U710, U710/1 DISCS – MAINTENANCE HUB

 <p><b>U-710 08.01.00.0</b> Support type used in cultivators up to No. 140.</p>	 <p><b>U-710 08.01.00.1</b> Support type used in cultivators up to No. 141.</p>	 <p><b>U-710 08.01.00.2</b> Support type used in cultivators up to No. 216.</p>
--	---	--

 <p><b>U-710 09.01.00</b> Support type used in cultivators up to No. 140.</p>	 <p><b>U-710 09.01.00.1</b> Support type used in cultivators up to No. 141.</p>	 <p><b>U-710 09.01.00.2</b> Support type used in cultivators up to No. 216.</p>
--	---	--

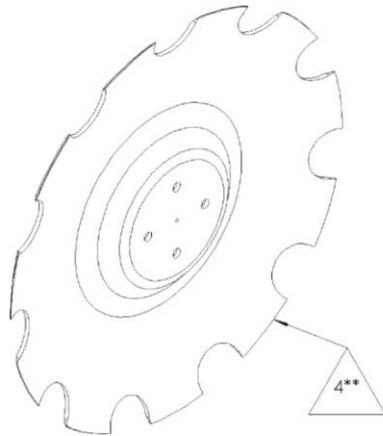
## 21. DISC BRACKETS, SKF OPTIM

### DISC BRACKETS, SKF OPTIM

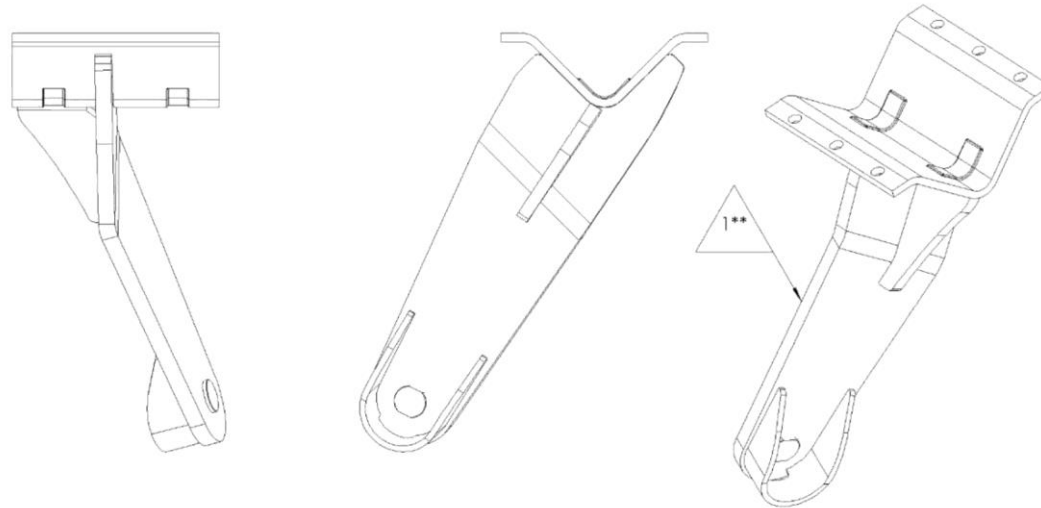


U740 09.00.00 – Front disc, complete SKF optim (disc Ø560 mm)

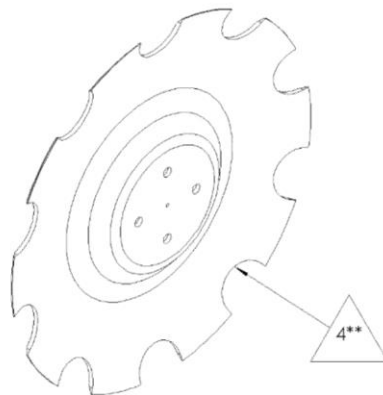
POD-OGL-000718  
560/4 toothed disc  
g=6 large cut-outs



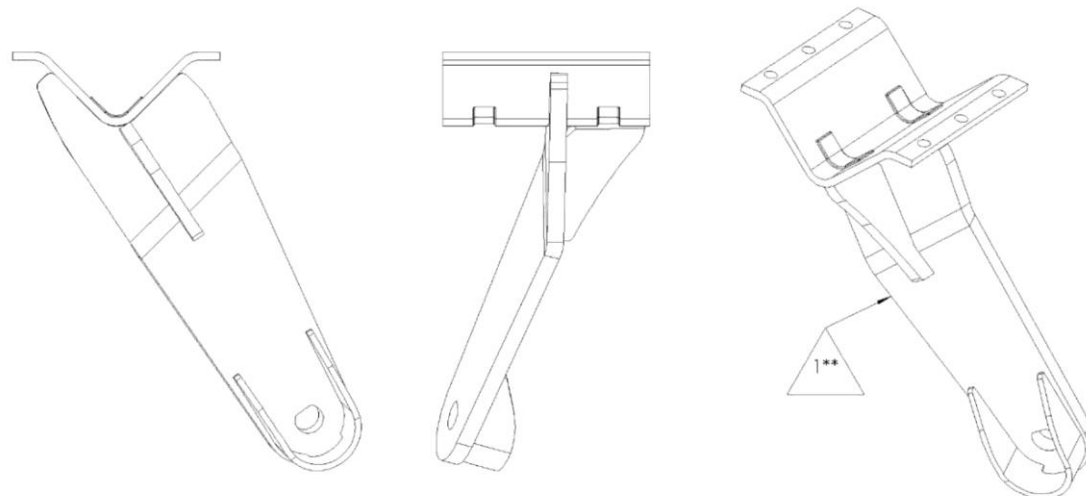
Rear arm of the SKF optim STRENX U740 14.01.00 disc



POD-OGL-000717  
510/4 toothed disc  
g=6 large cut-outs



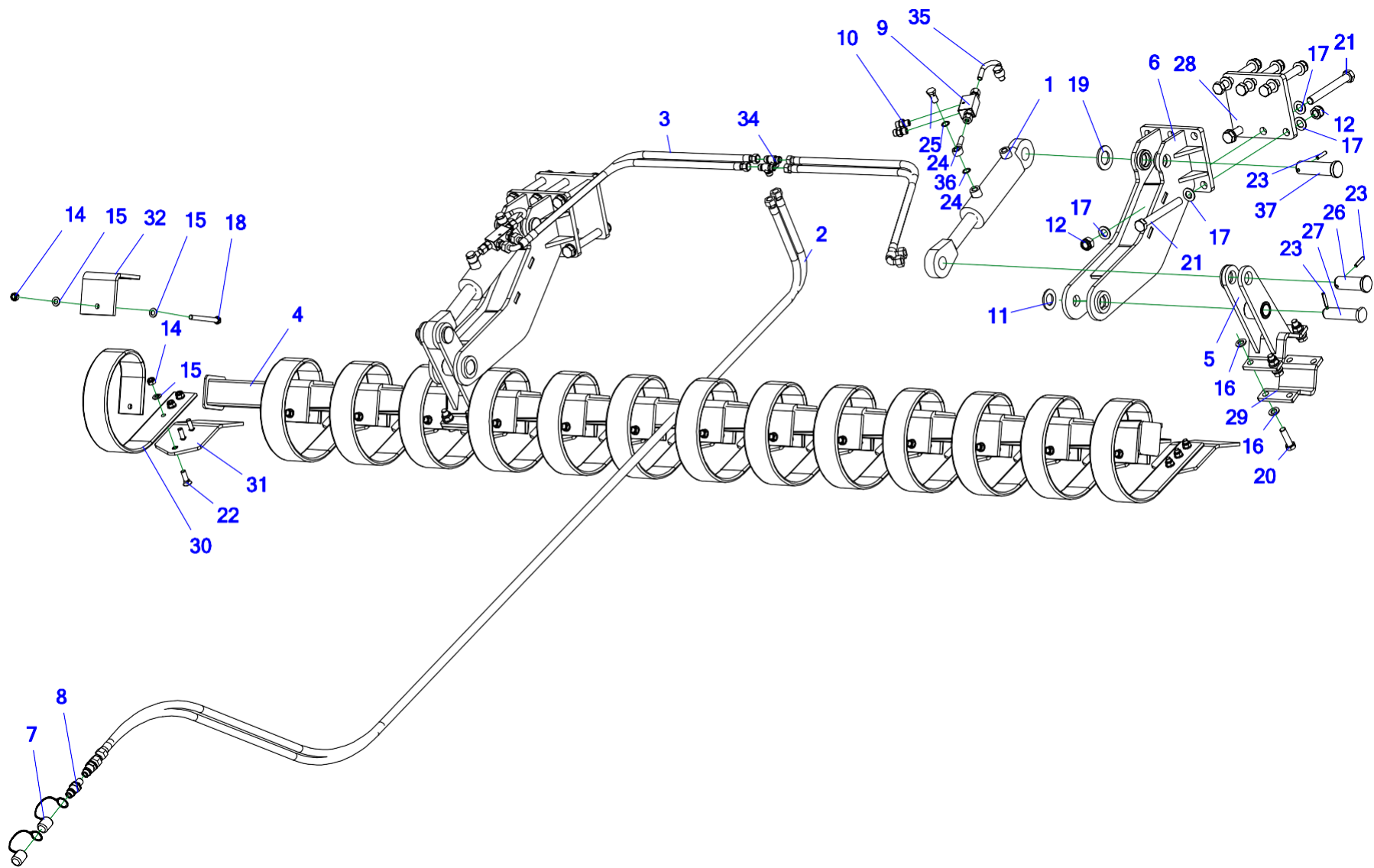
Front arm of the SKF optim STRENX U740 15.01.00 disc



**Tabela 20.** Disc brackets, SKF OPTIM

No.	Index	Part or assembly name	U740 08.00.00 Rear disc, complete SKF optim	U740 09.00.00 Front disc, complete SKF optim	U740 10.00.00 Rear disc, complete SKF optim OUTER	U740 11.00.00 Front disc, complete SKF optim OUTER
1*	U740 09.01.00	Front arm of the SKF optim disc	-	1	-	1
1*	U740 08.01.00	Back arm of the SKF optim disc	1	-	1	-
1**	U740 14.01.00	Rear arm of the SKF optim STRENX disc				
1**	U740 15.01.00	Front arm of the SKF optim STRENX disc				
2	U740-1 09.01.03M	200 mm canopy for disc bracket, pressed	1	1	1	1
3	POD-LOZ-000174	SKF maintenance-free hub	1	1	1	1
4*	POD-OGL-000482	SKF cutting disc dia. 560mm	1	1	-	-
4*	POD-OGL-000481	SKF cutting disc dia. 510 mm	-	-	1	1
4**	POD-OGL-000718	Serrated disc 560/4 g=6 long cuts				
4**	POD-OGL-000717	Serrated disc 510/4 g=6 long cuts				
5	POD-ELZ-000623	Self-locking nut M22 x 1.5 galv. 10.9	1	1	1	1
6	POD-ELZ-000629	Bolt 12 x 1.25 x 20 10.9 82105 galv.	4	4	4	4
7	POD-ELZ-000586	Bolt M12 x 50 10.9	4	4	4	4
8	POD-ELZ-000589	Self-locking nut M12 10.9	4	4	4	4
9	POD-TSZ-000131	Cultivator rubber shock absorber 35 x 210 SKF	4	4	4	4
10	23P12OC	Round washer dia. 12 galv.	8	8	8	8
11	23P12SP	Spring washer 12 galv. 82008	4	4	4	4

## 22. 3 M LAND LEVELLER



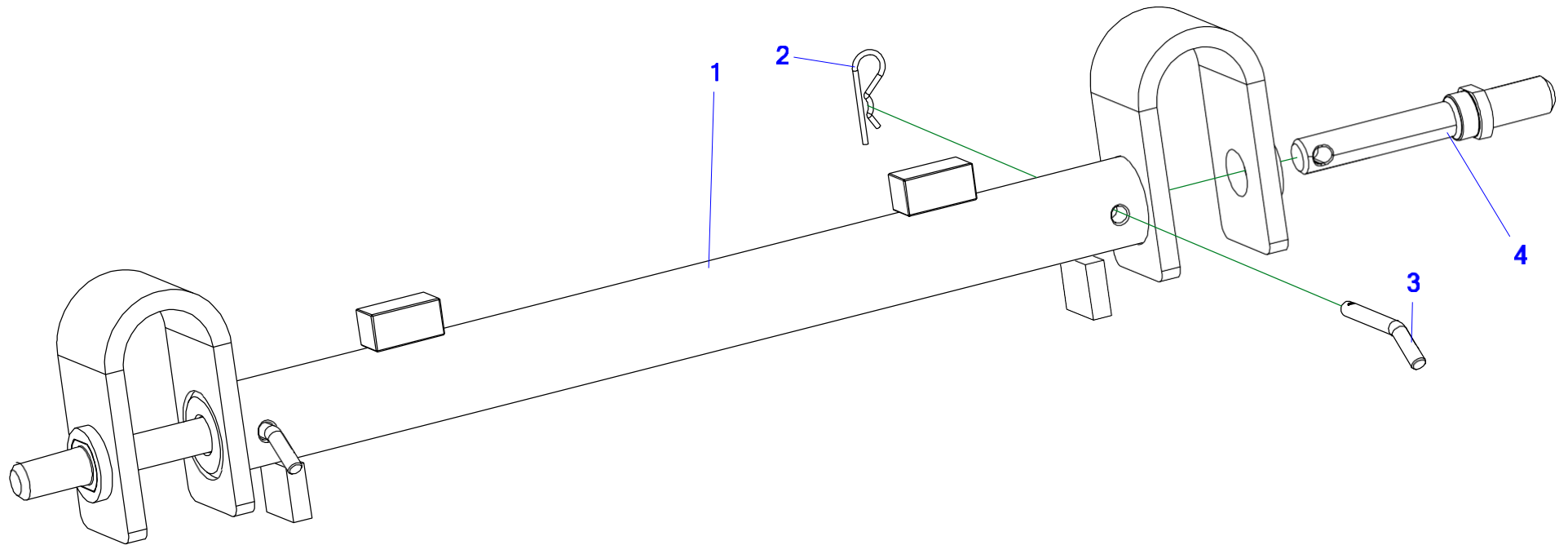


**Tabela 21.** 3 m land leveller

No.	Index	Volume	Index	Volume	Part or assembly name
	U-740 Mechanical adjustment		U-740 Hydraulic adjustment		
1	POD-HSL-000042	2	POD-HSL-000042	2	U710-63/36/100+KT2*L-312 cylinder
2	AA/222/08/08 L-5500	2	AA/222/08/08 L-5500	2	AA/222/08/08 L-5500 hydraulic hose
3	A90A/222/08 L-1000	4	A90A/222/08 L-1000	4	U-740 leveller - A90A/222/08 L-1000 hydraulic hose
4	U-710 30.04.00	1	U-710 30.04.00	1	Leveller bar
5	U-710 30.02.00	2	U-710 30.02.00	2	Bar mounting
6	U-710 30.01.00	2	U-710 30.01.00	2	Leveller support
7	24ZWNE13	2	24ZWNE13	2	Vale cap EURO plug 13 (green, yellow, blue, red)
8	24ZWE13-M18 x 1.5	2	24ZWE13-M18 x 1.5	2	Valve-plug EURO 13 M18 x 1.5
9	POD-HZW-000038	2	POD-HZW-000038	2	Check valve, twin - controlled VBPDE 3/8" L 2 CEXC
10	24KP3/8 18	4	24KP3/8 18	4	Straight connector 3/8 x 18-1.5 12LR
11	POD-ELZ-000507	2	POD-ELZ-000507	2	Round washer M30 galv.. DIN 125
12	23NS20OC 82175	12	23NS20OC 82175	12	Self-locking nut M20 galv. 82175 8 82175 8
13	23NS16OC	7	23NS16OC	7	Self-locking nut M16 galv. 82175 8 82175 8
14	23NS12OC	56	23NS12OC	56	Self-locking nut M12 galv. 82175 8 82175 8
15	23P12OC	70	23P12OC	70	Round washer 12 galv. 82005
16	23P16OOC	16	23P16OOC	16	Round washer 16 galv. 82005 82005
17	23P20OOC	24	23P20OOC	24	Round washer 20 galv. 82005 82005
18	23S12/120OC	14	23S12/120OC	14	Bolt 12 x 120 galv. 8.8 82101 82101

No.	Index	Volume	Index	Volume	Part or assembly name
	U-740 Mechanical adjustment		U-740 Hydraulic adjustment		
19	23P36OOC	4	23P36OOC	4	Round washer 36, galv. 82005 82005
20	23S16/55OC	8	23S16/55OC	8	Bolt 16 x 55, galv. 8.8 82105 82105
21	POD-ELZ-000660	12	POD-ELZ-000660	12	Bolt 20 x 180 galv. 8.8 82101
22	POD-ELZ-000647	42	POD-ELZ-000647	42	Plough bolt 12 x 40 black 8.8 82402
23	POD-ELZ-000540	6	POD-ELZ-000540	6	Spring pin 8 x 40 DIN 1481
24	24U16	8	24U16	8	Copper washer dia.16 x 22 x 1.5
25	24SO16/1.5	4	24SO16/1.5	4	Eye bolt M16 x 1.5 15 L31
26	U-710 30.00.05	2	U-710 30.00.05	2	Pin 35
27	U-710 30.00.03	2	U-710 30.00.03	2	Pin 30
28	U-710 30.00.02	2	U-710 30.00.02	2	Mounting plate
29	U-710 30.00.01	2	U-710 30.00.01	2	Canopy mounting
30	POD-OGL-001018	14	POD-OGL-001018	14	80 x 10 leveller spring
31	POD-OGL-001017	14	POD-OGL-001017	14	150 x 08 leveller levelling plate
32	POD-OGL-001016	14	POD-OGL-001016	14	80 x 10 leveller spring yoke
33	POD-LOZ-000197	4	POD-LOZ-000197	4	Sleeve GSM 3034 25
34	24KT18/18/18	2	24KT18/18/18	2	T-coupling 18 x 18 x 18 12 L
35	POD-HPR-000272	2	POD-HPR-000272	2	Ring terminal M16 length-140, Fig. U-710, bent
36	POD-HPR-000241	2	POD-HPR-000241	2	Ring terminal M16 length-25, Fig. U-710 13.02.02
37	U-710 02.00.05.1	2	U-710 02.00.05.1	2	Small cylinder pin I

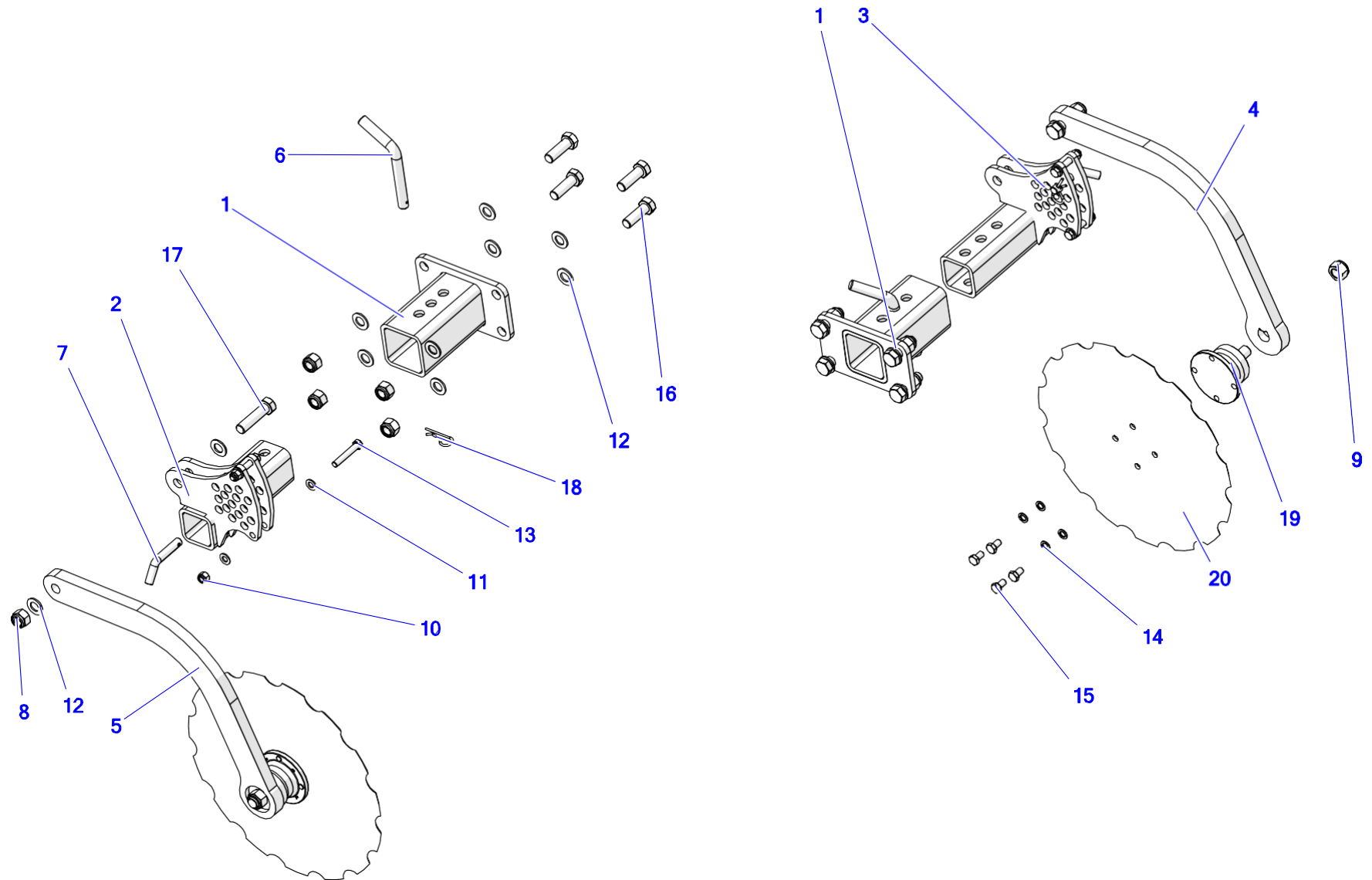
**23. HD LATCH BAR, CAT. 2**



**Tabela 22.** HD latch bar, cat. 2

No.	Index	Volume	Index	Volume	Part or assembly name
	U-740 Mechanical adjustment		U-740 Hydraulic adjustment		
1	U-740 22.01.00	1	U-740 22.01.00	1	Reinforced suspension bar. CAT. 2
2	23ZRFI4	2	23ZRFI4	2	Elastic single cotter pin 4 (R-letter shaped, single)
3	U-740 22.00.02	2	U-740 22.00.02	2	Bar safety pin, cat. 2
4	U-740 22.00.01	2	U-740 22.00.01	2	Pin, cat. 2

**24. SIDE DISCS, COMPLETE**



**Tabela 23.** Side discs

No.	Index				Part or assembly name
	U-740 Mechanical adjustment	Volume	U-740 Hydraulic adjustment	Volume	
1	U740 28.01.00	2	U740 28.01.00	2	Screw-on screen support
2	U740 28.02.00	1	U740 28.02.00	1	Left-side support
3	U740 28.03.00	1	U740 28.03.00	1	Right-side support
4	U740 28.00.01	1	U740 28.00.01	1	Right-side disc arm
5	U740 28.00.02	1	U740 28.00.02	1	Left-side disc arm
6	U-710 01.00.13	2	U-710 01.00.13	2	Pin V
7	U-710 02.00.08	2	U-710 02.00.08	2	Adjustment pin II
8	23NS20OC 82175	10	23NS20OC 82175	10	Self-locking nut M20 galv. 82175 8 82175 8
9	POD-ELZ-000623	2	POD-ELZ-000623	2	Self-locking nut M22 x 1.5 galv. 10.9
10	23NS12OC	4	23NS12OC	4	Self-locking nut M12 galv. 82175 8 82175 8
11	23P12OC	8	23P12OC	8	Round washer 12 galv. 82005
12	23P20OOC	20	23P20OOC	20	Round washer 20 galv. 82005 82005
13	23S12/70OC 8.8	4	23S12/70OC 8.8	4	Bolt 12 x 70 galv. 8.8 82101 82101
14	23P12SP	8	23P12SP	8	Spring washer 12, galv. 82008 82008
15	POD-ELZ-000629	8	POD-ELZ-000629	8	Bolt 12 x 1.25 x 20 galv. 10.9 82105
16	23S20/60 10.9	8	23S20/60 10.9	8	Bolt 20 x 60 galv. 10.9 82101 82101
17	23S20/80 8.8 OC	2	23S20/80 8.8 OC	2	Bolt 20 x 80 galv. 82101 82101
18	23ZRFI4	4	23ZRFI4	4	Elastic single cotter pin 4 (R-letter shaped, single)
19	POD-LOZ-000174	2	POD-LOZ-000174	2	BAA0004 maintenance-free hub
20	POD-OGL-001024	2	POD-OGL-001024	2	Disc dia. 475/4, thickness 6 mm





Metal-Fach Sp. z o.o. is constantly improving its products and adjusting its package to the needs of its customers, so it reserves the right to make changes to its product range without notice. Therefore, before making your purchase decision, please contact an authorised dealer or sales representative of Metal-Fach Sp. z o.o. Metal-Fach Sp. z o.o. will not accept any complaints regarding the data and pictures contained in the catalogue, as the presented range of products does not constitute an offer within the meaning of the provisions of the Civil Code.

The pictures do not necessarily show standard accessories.

Original spare parts are available from authorised dealers, both in Poland and abroad, and also at the Metal-Fach retail outlet.



#### TECHNICAL SERVICE

16-100 Sokółka, ul. Kresowa 62  
phone: +48 85 711 07 80; fax: +48 85 711 07 93  
serwis@metalfach.com.pl

#### SALES

16-100 Sokółka, ul. Kresowa 62  
phone: +48 85 711 07 78; fax: +48 85 711 07 89  
handel@metalfach.com.pl

#### SPARE PARTS WHOLESALE STORE

16-100 Sokółka, ul. Kresowa 62

#### Wholesale:

phone: +48 85 711 07 80; fax: +48 85 711 07 93  
serwis@metalfach.com.pl

#### Retail

phone: +48 85 711 07 80; fax: +48 85 711 07 93  
serwis@metalfach.com.pl