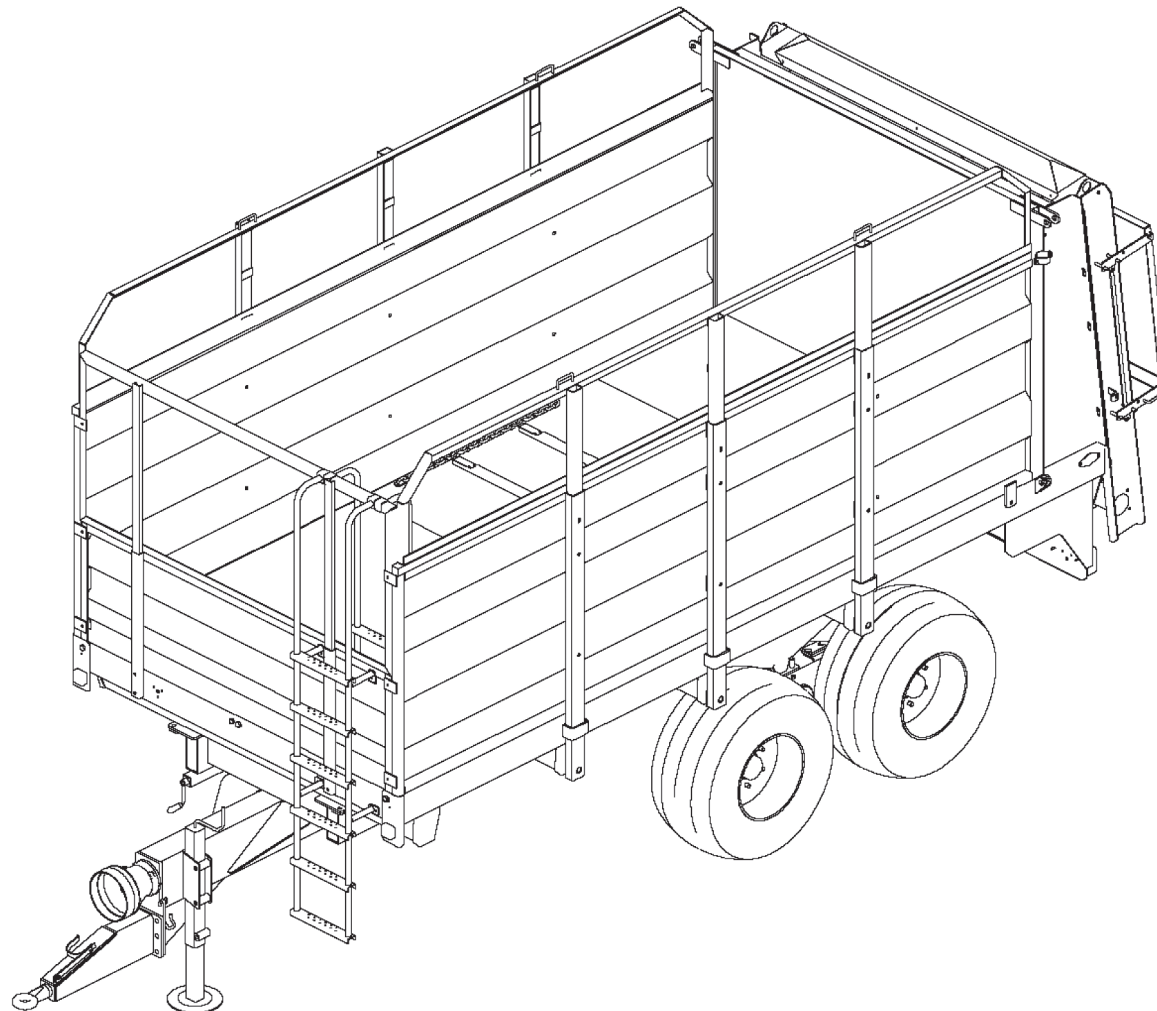


# SPARE PARTS CATALOGUE

**METAL-FACH**

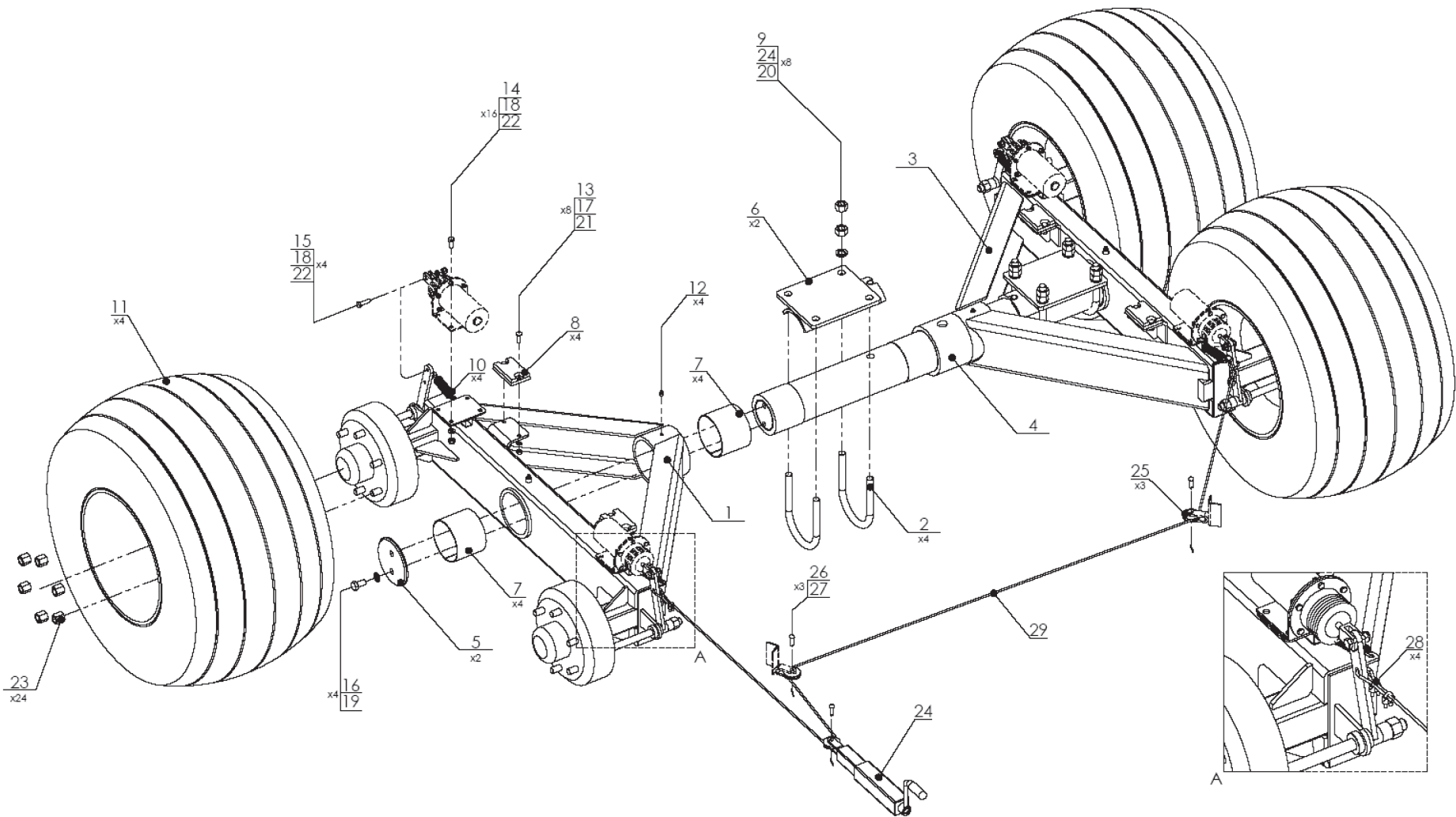
"KOS" SPREADER TYPE N267, N267/1



Sokolka, 2010

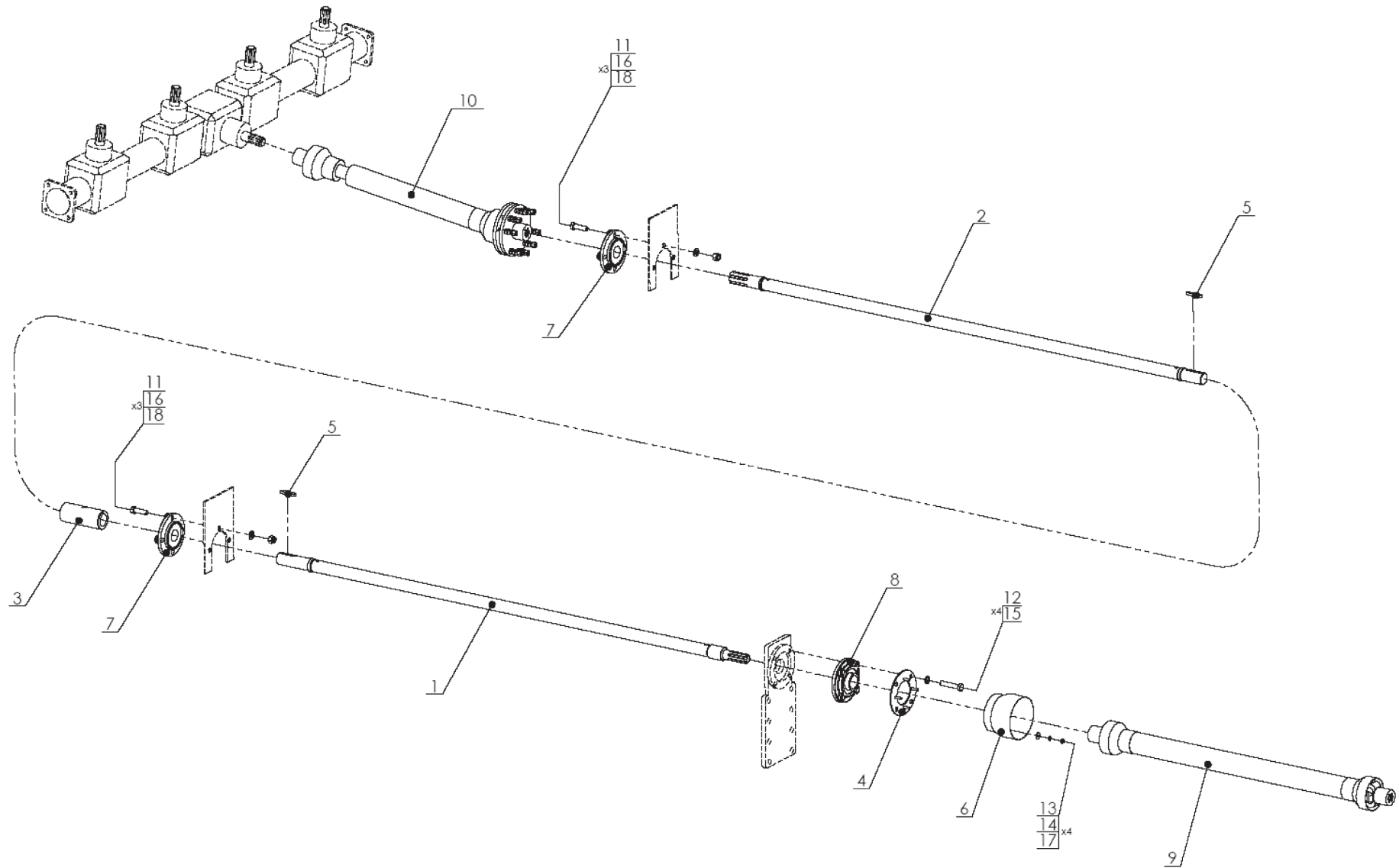
## LIST OF CATALOGUE ITEMS

Item	Assembly designation	Page no.
1.	Tandem .....	33
2.	Power system .....	35
3.	Floor conveyor .....	37
4.	Vertical adapter w/guard.....	39
5.	Chassis frame w/load body.....	43
6.	Electrical system.....	46
7.	Pneumatic brake system .....	48
8.	Hydraulic system (two-section) .....	50
9.	Hydraulic system (single-section).....	54



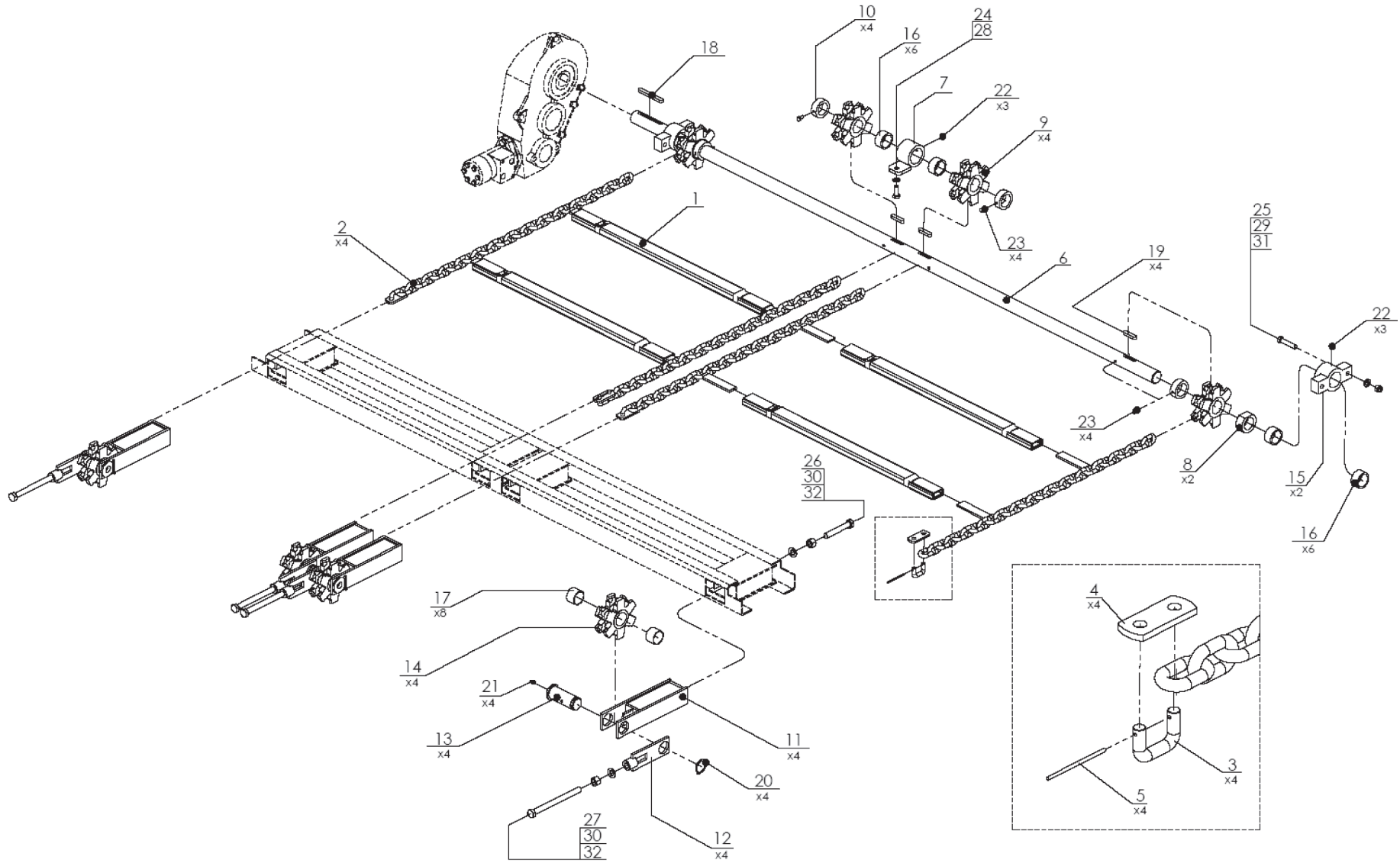
TANDEM

TANDEM			
No. in dwg	Name of assembly or part	Drawing No. or standard	Quantity – N267, N267/1
1	Right control arm	N267 01.01.00.1	1
2	Stirrup bolt	N267 01.00.01	4
3	Left control arm	N267 01.02.00.1	1
4	Tandem axle	N267 01.03.00	1
5	Tandem flange	N267 01.03.04	2
6	Axle cover plate	N267 01.05.00	2
7	Bush	PAP125100P20	4
8	Spacing rubber	65 x 100	4
9	Nut, M20	PN/M-82144	16
10	Spring	N267 01.01.20	4
11	Wheel, 500/50-17 14PR	500/50-17 14PR	4
	Wheel, 400/60-15.3 14PR	400/60-15.3 14PR	4
12	M10 grease nipple (straight)	PN-76/M-82002	4
13	Bolt, M8x30 (neck)	PN/M-82406	8
14	Bolt, M10x25	PN/M-82105	16
15	Bolt, M10x35	PN/M-82105	4
16	Bolt, M16x30	PN/M-82105	4
17	Spring washer, Ø8.5	PN/M-82008	8
18	Plain washer, Ø11	PN/M-82005	20
19	Spring washer, Ø16.4	PN/M-82008	4
20	Spring washer, Ø21	PN/M-82008	8
21	Nut, M8	PN/M-82144	8
22	Nut, M10	PN/M-82175	20
23	Nut, M18x1.5 (wheels)	PN/M-82175	24
24	Brake pull	N267 02.01.30	1
25	Cable wheel	N267 02.01.26	3
26	Cable wheel pin	N267 02.01.42	3
27	Cotter pin, Ø3.2x40, regular	PN/M-82001	3
28	Bow clamp	PN-EN 353-1	4
29	Cable, 5.0-T 1x19-Z L=5000 mm	PN-EN 3066	1



## POWER SYSTEM

POWER SYSTEM			
No. in dwg	Name of assembly or part	Drawing No. or standard	Qty
1	Shaft I	N267 02.04.10	1
2	Shaft II (long)	N267 02.04.20	1
	Shaft II (short)	N267-1 02.04.20	1
3	Clutch bush	N267 02.04.06	1
4	Guard fitting	N267 02.04.30	1
5	Key, 12x8x70	DIN 6885A	2
6	Shaft guard	PN-EN ISO 5674:2007	1
7	Bearing, UCFC209	ISO 9001:2000	2
8	Bearing, UCFC210	ISO 9001:2000	1
9	Connection shaft	6R-602-2-BA-K601	1
10	Friction clutch shaft	8R-802-3-DA-C803	1
11	Bolt, M16x55	PN/M-82105	6
12	Bolt, M16x80	PN/M-82101	4
13	Washer, Ø8.5, large	PN/M-82030	4
14	Spring washer, Ø8.4	PN/M-82008	4
15	Spring washer, Ø16.3	PN/M-82008	4
16	Washer, Ø17	PN/M-82105	6
17	Nut, M8	PN/M-82175	4
18	Nut, M16	PN/M-82175	6

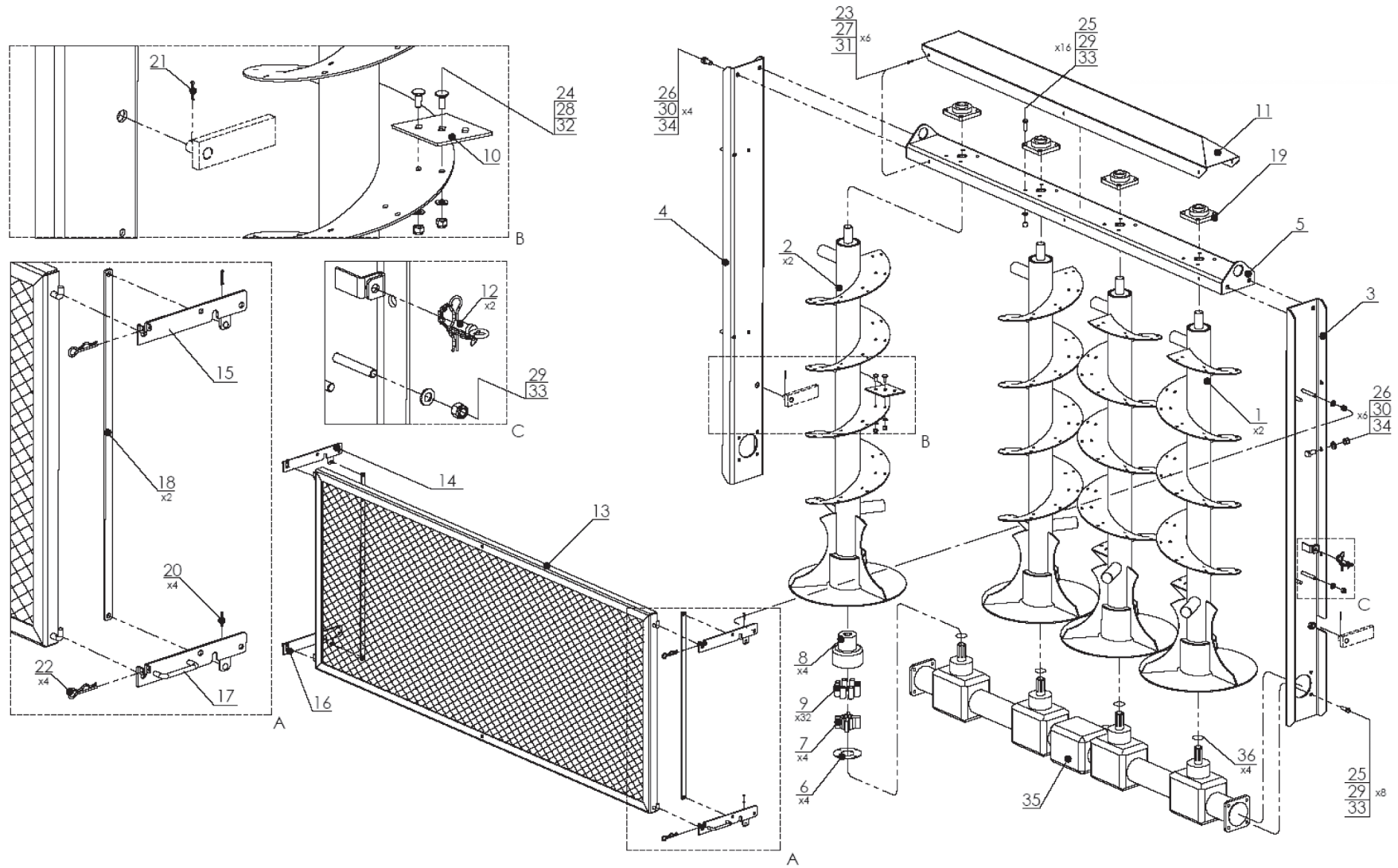


**FLOOR CONVEYOR**

FLOOR CONVEYOR				
No. in dwg	Name of assembly or part	Drawing No. or standard	Quantity - N267	Quantity - N267/1
1	Conveyor slat, set	N267 02.10.10	46	40
2	Floor conveyor chain (long)	N267 02.10.20	4	-
	Floor conveyor chain (short)	N267-1 02.10.20	-	4
3	Connector	N267 02.10.22	4	4
4	Coupler plate	N267 02.10.23	4	4
5	Coupler pin	N267 02.10.24	4	4
6	Driving shaft	N267 02.02.101	1	1
7	Shaft mounting	N267 02.02.110	1	1
8	Distance spacer	N267 02.02.103	2	2
9	Sprocket wheel w/key	N267 02.02.105	4	4
10	Pressing bush	N267 02.02.106	4	4
11	Pull, set	N267 02.02.60	4	4
12	Chain stretcher	N267 02.02.80	4	4
13	Pull pin	T138 001.002.155.1	4	4
14	Chain wheel	T138 001.002.158	4	4
15	Mount	N267 02.02.107	2	2
16	Self-lubricating bush, 40H8/50R7x25	40H8/50R7x25	6	6
17	Self-lubricating bush, 40H8/50R7x30	40H8/50R7x30	8	8
18	Key, 12x8x100	DIN 6885A	1	1
19	Key, 12x8x50	DIN 6885A	4	4
20	Seeger ring Z40	PN-81/M-85111	4	4
21	Grease nipple, M8	PN-73/M-86002	4	4
22	Grease nipple, M10	PN-73/M-86002	3	3
23	Bolt, M8x16	PN/M-82105	4	4
24	Bolt, M12x30	PN/M-82105	1	1
25	Bolt, M12x60	PN/M-82105	4	4
26	Bolt, M16x100	PN/M-82105	4	4



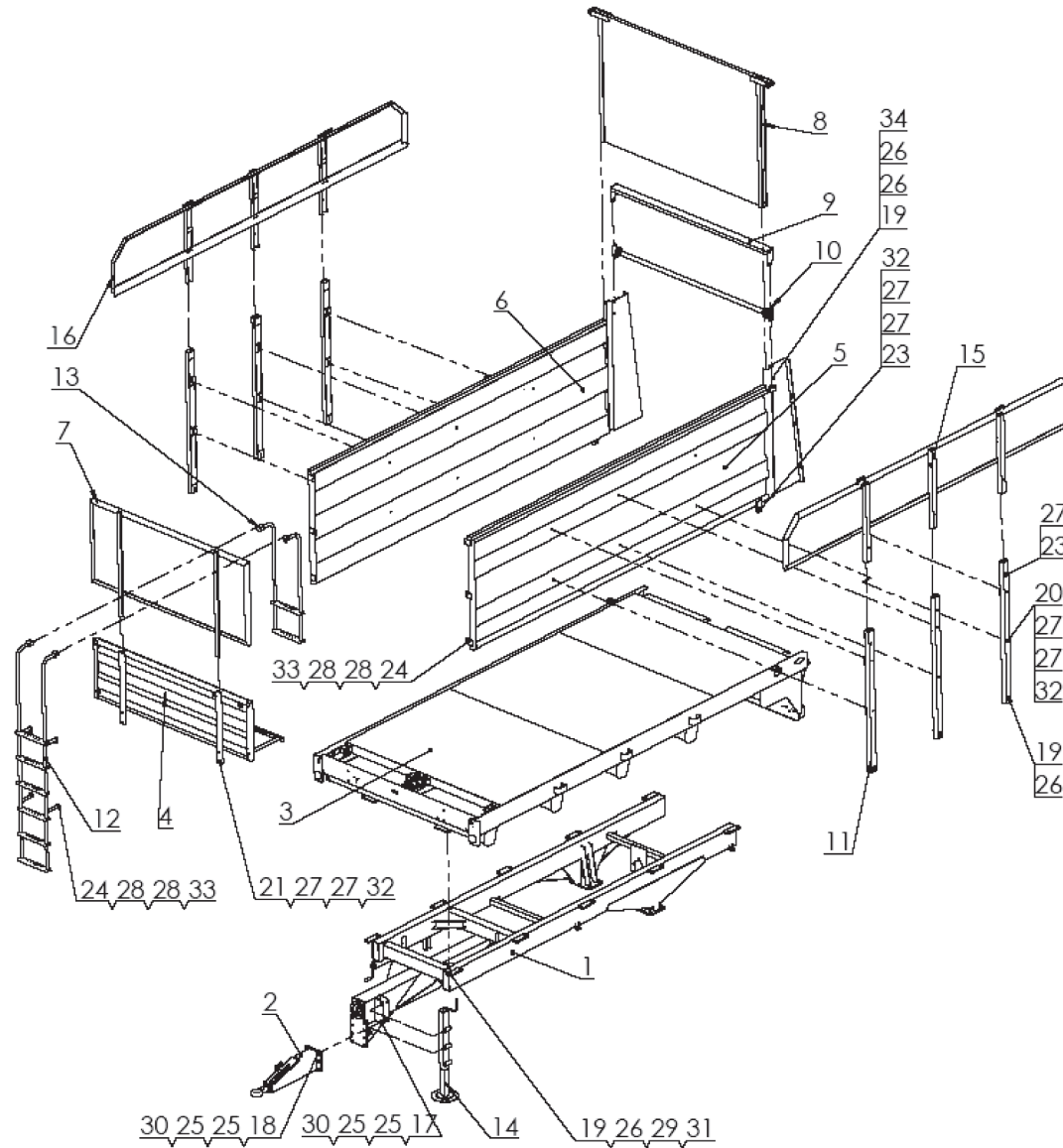
27	Bolt, M16x200	PN/M-82105	4	4
28	Spring washer, Ø12.2	PN/M-82008	1	1
29	Washer, Ø13	PN/M-82005	4	4
30	Washer, Ø17	PN/M-82005	8	8
31	Nut, M12	PN/M-82175	4	4
32	Nut, M16	PN/M-82144	8	8



**VERTICAL ADAPTER W/GUARD**

VERTICAL ADAPTER W/GUARD				
No. in dwg	Name of assembly or part	Drawing No. or standard	Quantity – N267	Quantity – N267/1
1	Right worm screw (high)	N267 09.01.00	2	-
	Right worm screw (low)	N267-1 09.01.00	-	2
2	Left worm screw (high)	N267 09.02.00	2	-
	Left worm screw (low)	N267-1 09.02.00	-	2
3	Right adapter frame (high)	N267 09.03.00	1	-
	Right adapter frame (low)	N267-1 09.03.00	-	1
4	Left adapter frame (high)	N267 09.04.00	1	-
	Left adapter frame (low)	N267-1 09.04.00	-	1
5	Top adapter frame	N267 09.05.00	1	1
6	Plug	N267 09.06.01	4	4
7	Spider	N267 09.06.02	4	4
8	Upper holder	N267 09.06.03	4	4
9	Rubber insert	N267 09.06.04	32	32
10	Blade (for 240 mm pitch screw)	N267 09.00.07	116	84
11	Upper cover	N267 09.08.00	1	1
12	Adapter pin, set	PN-ISO 7076:1996	2	2
13	Cover	N267 08.01.00	1	1
14	Top left bracket	N267 08.02.00	1	1
15	Top right bracket	N267 08.03.00	1	1
16	Bottom left bracket	N267 08.04.00	1	1
17	Bottom right bracket	N267 08.05.00	1	1
18	Hanger connector	N267 08.00.07	2	2
19	Bearing, UCF207	PN-ISO 9001:2000	4	4
20	Cotter pin, Ø2.5x28, regular	PN/M-82001	4	4
21	Cotter pin, Ø4x50, regular	PN/M-82001	2	2
22	Spring cotter, Ø4	PN-ISO 7072:1996	4	4
23	Bolt, M6x20	PN/M-82105	6	6

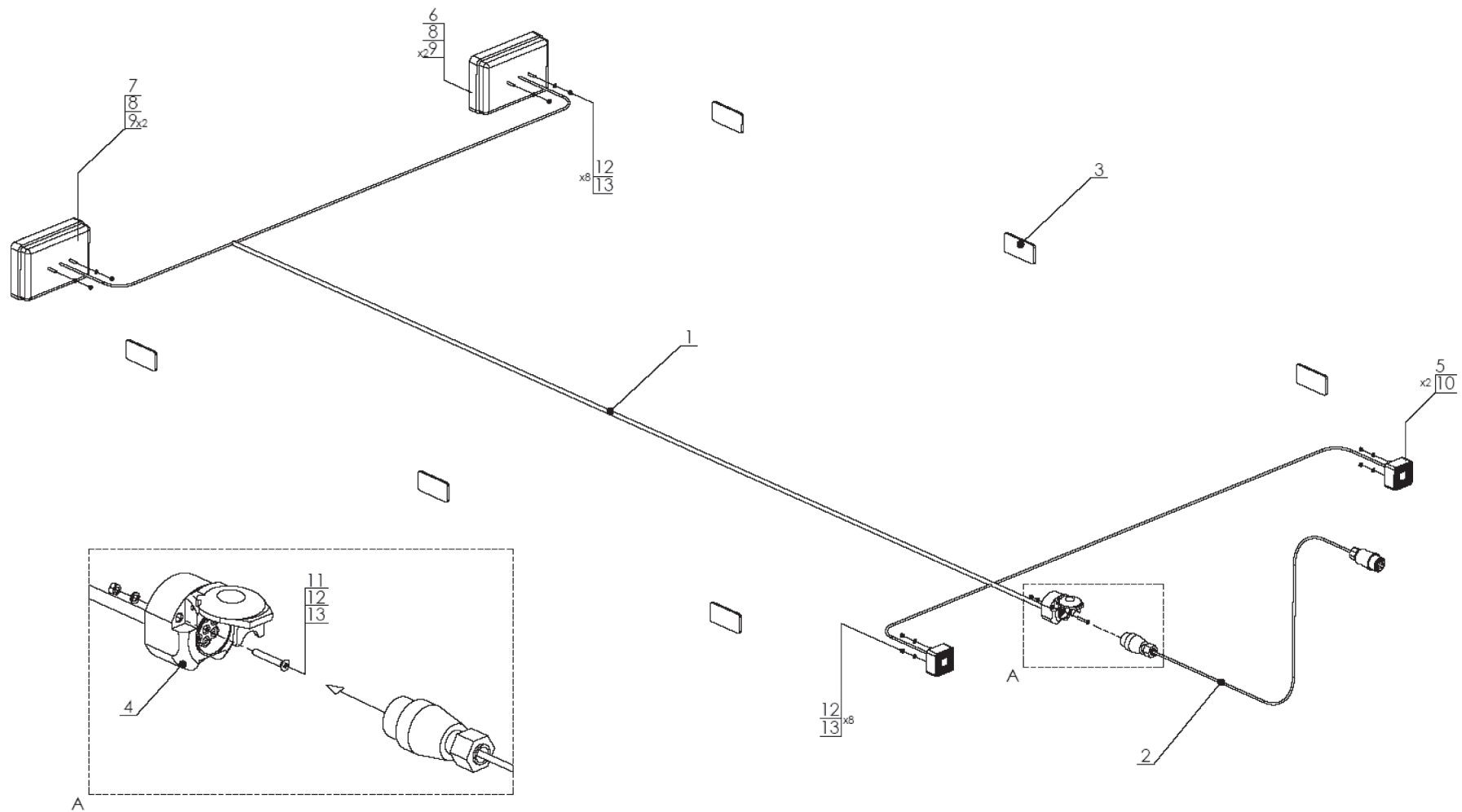
24	Bolt, M10x25	PN/M-82402	232	168
25	Bolt, M12x40	PN/M-82105	24	24
26	Bolt, M16x35	PN/M-82105	10	8
27	Washer, Ø6.5	PN/M-82005	6	6
28	Washer, Ø11	PN/M-82005	232	168
29	Washer, Ø13	PN/M-82005	28	28
30	Washer, Ø17	PN/M-82005	10	8
31	Nut, M6	PN/M-82175	6	6
32	Nut, M10	PN/M-82175	232	168
33	Nut, M12	PN/M-82175	28	28
34	Nut, M16	PN/M-82175	10	8
35	Gearbox	PRK-051- 01.1AAAA.L	1	1
36	Retaining ring. Z38	PN/M-85111	4	4



**CHASSIS FRAME W/LOAD BODY**

CHASSIS FRAME W/LOAD BODY				
No. in dwg	Name of assembly or part	Drawing No. or standard	Quantity - N267	Quantity - N267/1
1	Chassis frame	N267 02.01.00	1	
	Chassis frame	N267-1 02.01.00		1
2	Catch	N267 02.03.100.1	1	1
3	Top frame	N267 02.02.00	1	
	Top frame	N267-1 02.02.00		1
4	Front panel	N267 03.00.00	1	1
5	Left side panel, set	N267 04.00.00	1	
	Left side panel, set	N267-1 04.00.00		1
6	Right side panel, set	N267 05.00.00	1	
	Right side panel, set	N267-1 05.00.00		1
7	Front mesh, set	N267 06.00.00	1	1
8	Rear gate	N267 10.00.00	1	
	Rear gate	N267-1 10.00.00		1
9	Side panel strutting, set	N267 13.00.00	1	1
10	Synchroniser, set	N267 14.00.00	1	1
11	Stake	N267 04.10.00	6	
	Stake	N267 00.05.00		4
12	Ladder	N267 07.00.00	1	1
13	Inner ladder	N267 07.10.00	1	
14	Support, set	N267 09.00.00	1	
	Support foot	25SPZ562		1

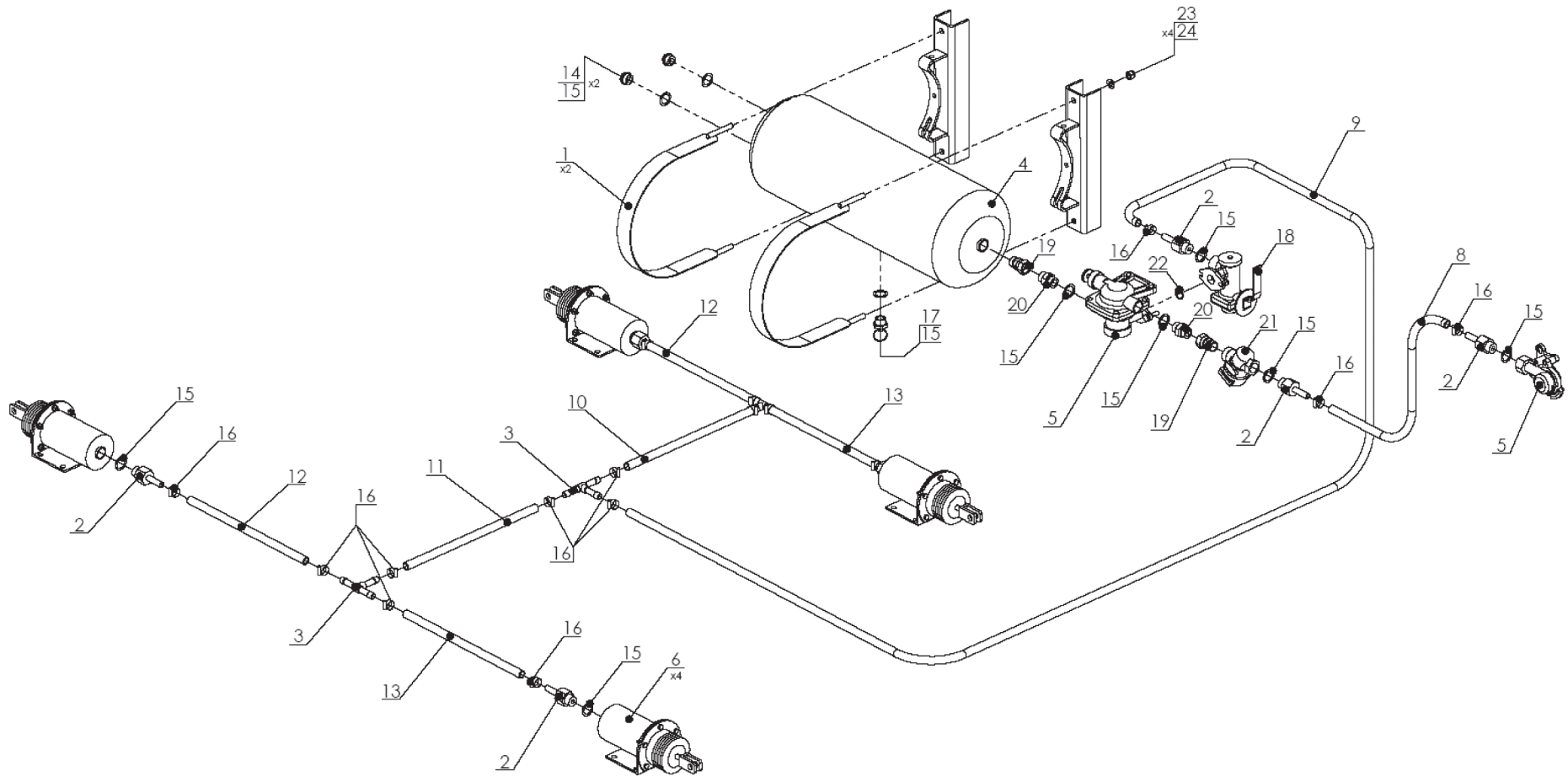
15	Top section, solid, left (optional)	→	N267 11.00.00	N267-1 11.00.00
	Mesh top section, left (optional)	→	N267 21.00.00	N267-1 21.00.00
16	Top section, solid, right (optional)	→	N267 12.00.00	N267-1 12.00.00
	Mesh top section, right (optional)	→	N267 22.00.00	N267-1 22.00.00
17	Bolt, M20x120	PN/M-82101	2	2
18	Bolt, M20x60 PN/M-	PN/M-82101	6	6
19	Bolt, M16x50	PN/M-82105	26	20
20	Bolt, M12x75	PN/M-82101	12	8
21	Bolt, M12x60	PN/M-82101	4	4
22	Bolt, M12x50	PN/M-82105	4	4
23	Bolt, M12x30	PN/M-82105	8	6
24	Bolt, M10x35	PN/M-82101	10	8
25	Washer, 20	PN/M-82005	12	12
26	Washer, 16	PN/M-82005	20	16
27	Washer, 12	PN/M-82005	38	28
28	Washer, 10	PN/M-82005	20	16
29	Spring washer, 16.3	PN/M-82008	20	16
30	Self-locking nut, M20	PN/M-82175	8	8
31	Nut, M16	PN/M-82144	28	12
32	Self-locking nut, M12	PN/M-82175	22	18
33	Self-locking nut, M10	PN/M-82175	10	8
34	Self-locking nut, M16	PN/M-82175	4	4



## ELECTRICAL SYSTEM

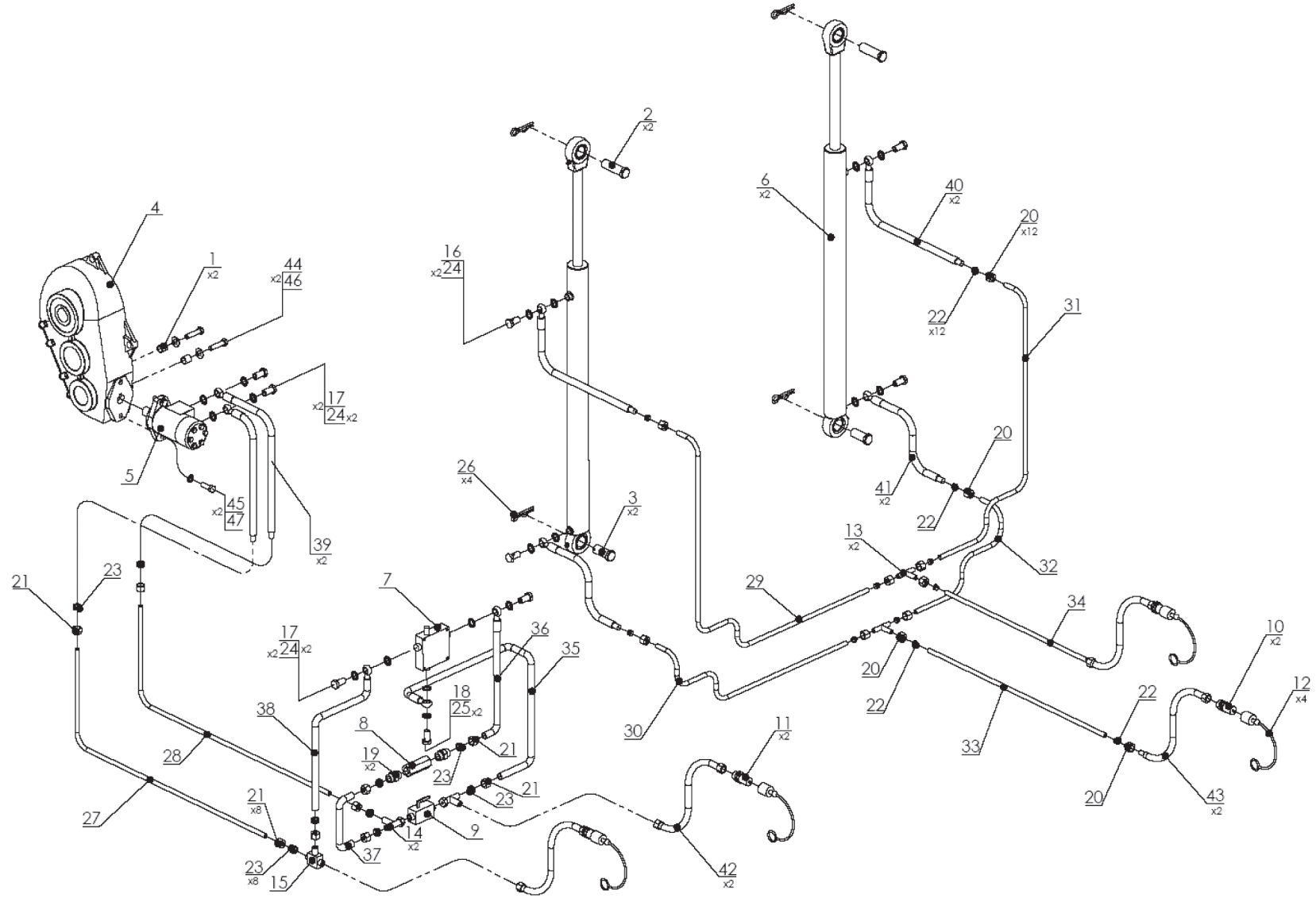


ELECTRICAL SYSTEM				
No. in dwg	Name of assembly or part	Drawing No. or standard	Quantity - N267	Quantity - N267/1
1	Spreader harness	N267	1	-
	Spreader harness (short)	N267/1	-	1
2	Electrical wire, L=3000 w/7-pin plug	N267	1	1
3	Reflective light, rectangular, orange	PN-EN 1463	6	4
4	Pin connector socket	12N	1	1
5	Square clearance lamp w/reflective light	LO 093	2	2
6	Cluster lamp, tail, w/reflective triangle emblem (left)	HOR45-LZT 471	1	1
7	Cluster lamp, tail, w/reflective triangle emblem (right)	HOR45-LZT 478	1	1
8	Light bulb, 12V5W	pipe, CWS 37 mm	2	2
9	Light bulb, 12V21W	(P21W)	4	4
10	Light bulb, 12V5W	W5W (push-in)	2	2
11	Screw, M5x35	PN/M-82208	3	3
12	Spring washer, Ø5.2	PN/M-82008	11	11
13	Nut, M5	PN/M-82144	11	11



**PNEUMATIC BRAKE SYSTEM**

PNEUMATIC BRAKE SYSTEM				
No. in dwg	Name of assembly or part	Drawing No. or standard	Quantity – N267	Quantity – N267/1
1	Vessel clamp	N267 02.01.10	2	2
2	Stub pipe, M22x1.5	T659-07.00.02	7	7
3	Tee	N267 02.07.00	3	3
4	Air tank, 40 dm <sup>3</sup>	688.000.000	1	1
5	Directional control valve	HZS2	1	1
6	Air actuator	53.12.00/A	4	4
7	Pipe connector	B1	1	1
8	Pneumatic brake system hose, ↓13 MPa L=3000	PN/C-94169	1	1
9	Pneumatic brake system hose, ↓13 MPa L=2900	PN/C-94169	1	1
10	Pneumatic brake system hose, ↓13 MPa L=650	PN/C-94169	1	1
11	Pneumatic brake system hose, ↓13 MPa L=420	PN/C-94169	1	1
12	Pneumatic brake system hose, ↓13 MPa L=340	PN/C-94169	2	2
13	Pneumatic brake system hose, ↓13 MPa L=260	PN/C-94169	2	2
14	Plug, M22x1.5	ISO 8434-2	2	2
15	Copper washer, ↓22	DIN 7603	12	12
16	Band clip	PN-82144	16	16
17	Drain valve, M22	83.100/1110	1	1
18	Braking force controller	61 11 011 0	1	1
19	Straight union, M22, w/nut, M22	ISO 8434-2	2	2
20	Stub pipe, M22x1.5/M22x1.5	ISO 8434-2	2	2
21	In-line filter	POD-OGI-000021-1	1	1
22	O-ring	ISO 9001:2000	1	1
23	Washer, Ø11	PN/M-82105	4	4
24	Nut, M10	PN/M-82175	4	4
25	Nut, M8	PN/M-82175	2	2

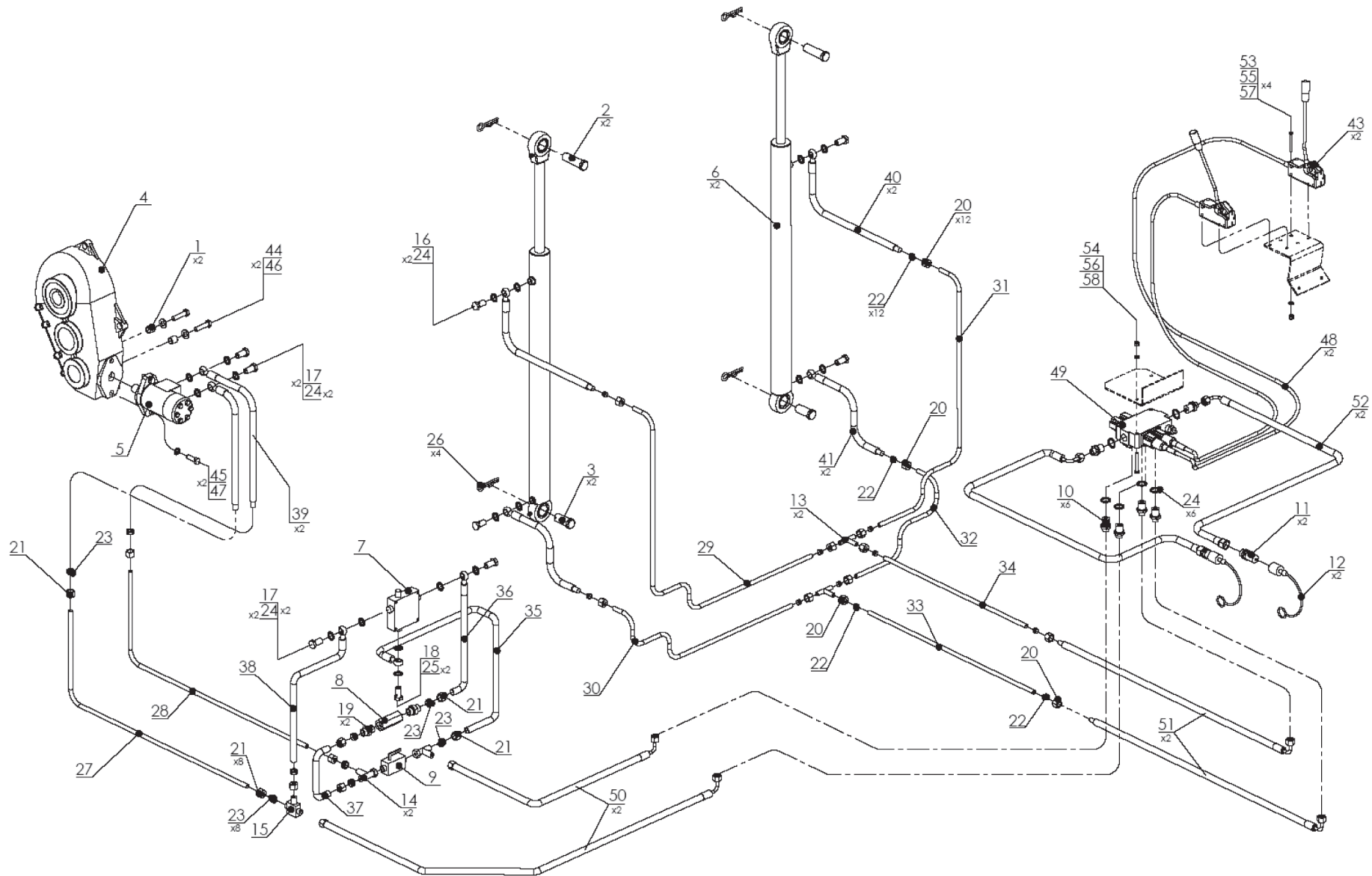


**HYDRAULIC SYSTEM  
(two-section)**

HYDRAULIC SYSTEM (two-section)				
No. in dwg	Name of assembly or part	Drawing No. or standard	Quantity – N267	Quantity – N267/1
1	Gearbox spacer	N267 00.00.31	2	2
2	Top actuator pin	N267 00.00.32	2	2
3	Bottom actuator pin	N267 00.00.33	2	2
4	Side gear	PRK-548-01.AAB.R.	1	1
5	Hydraulic motor	OMR160	1	1
6	Hydraulic actuator, piston stroke: 1200	USJ2F-50/28/1200	1	-
	Hydraulic actuator, piston stroke: 1000	USJ2F-50/28/1000	-	1
7	Flow control valve	TVTC-50-NV-1/2-3/4	1	1
8	Non-return valve	VU 1-2"	1	1
9	Ball valve	RS2 15L	1	1
10	EURO quick-release coupling + valve + plug	M18x1.5	2	2
11	EURO quick-release coupling + valve + plug	M22x1.5	2	2
12	Plug cover	ISO 12.5	4	4
13	Tee, M18xM18xM18	ISO 8434-2	2	2
14	Tee w/nut, asymmetric, M22xM22xM22	DIN 3859-1	2	2
15	Tee, M22xM22xM22	DIN 8353	1	1
16	Hydraulic eye bolt, M22	DIN 2353	4	4
17	Hydraulic eye bolt, 1/2"	DIN 2353	4	4
18	Hydraulic eye bolt, 3/4"	DIN 2353	1	1
19	Stud coupling, 1/2" – M22	DIN 2353	2	2
20	Hydraulic nut, M18x1.5	DIN 2353	12	12
21	Hydraulic nut, M22x1.5	DIN 2353	8	8
22	Stopping ring, Ø12	DIN 2353	10	10
23	Stopping ring, Ø15	DIN 2353	8	8
24	Sealing ring, M22	ISO 12151	16	16

No. in dwg	Name of assembly or part	Drawing No. or standard	Quantity - N267	Quantity - N267/1
25	Sealing ring, 3/4"	ISO 12151	2	2
26	Spring cotter, Ø5	DIN 11024	4	4
27	Hydraulic line, steel, Ø15	N267 09.00.01	1	-
	Hydraulic line, steel, Ø15	N267-1 09.00.01	-	1
28	Hydraulic line, steel, Ø15	N267 09.00.02	1	-
	Hydraulic line, steel, Ø15	N267-1 09.00.02	-	1
29	Hydraulic line, steel, Ø12	N267 09.00.03	1	-
	Hydraulic line, steel, Ø12	N267-1 09.00.03	-	1
30	Hydraulic line, steel, Ø12	N267 09.00.04	1	1
31	Hydraulic line, steel, Ø12	N267 09.00.05	1	-
	Hydraulic line, steel, Ø12	N267-1 09.00.05	-	1
32	Hydraulic line, steel, Ø12	N267 09.00.06	1	1
33	Hydraulic line, steel, Ø12	N267 09.00.07	1	-
	Hydraulic line, steel, Ø12	N267-1 09.00.07	-	1
34	Hydraulic line, steel, Ø12	N267 09.00.08	1	-
	Hydraulic line, steel, Ø12	N267-1 09.00.08	-	1
35	Hydraulic line, steel, Ø15	N267 09.00.10	1	1
36	Hydraulic line, steel, Ø15	N267 09.00.11	1	1
37	Hydraulic line, steel, Ø15	N267 09.00.12	1	1
38	Hydraulic line, steel, Ø15	N267 09.00.13	1	1
39	Hydraulic hose	RNMB/213/13L-500	2	2
40	Hydraulic hose	RNMB/2_1/10L-500	2	2
41	Hydraulic hose	RNMB/2_1/10L-300	2	2
42	Hydraulic hose	AA/233/13 L-3000	2	2

No. in dwg	Name of assembly or part	Drawing No. or standard	Quantity – N267	Quantity – N267/1
43	Hydraulic hose	BA/211/10L-3000	2	2
44	Bolt, M12x35	PN/M-82105	2	2
45	Bolt, M14x50	PN/M-82105	2	2
46	Washer, Ø13	PN/M-82005	2	2
47	Washer, Ø15	PN/M-82005	2	2



**HYDRAULIC SYSTEM  
(single-section)**



No. in dwg	Name of assembly or part	Drawing No. or standard	Quantity - N267	Quantity - N267/1
1	Gearbox spacer	N267 00.00.31	2	2
2	Top actuator pin	N267 00.00.32	2	2
3	Bottom actuator pin	N267 00.00.33	2	2
4	Side gear	PRK-548-01.AAB.R.	1	1
5	Hydraulic motor	OMR160	1	1
6	Hydraulic actuator, piston stroke: 1200	USJ2F-50/28/1200	1	-
	Hydraulic actuator, piston stroke: 1000	USJ2F-50/28/1000	-	1
7	Flow control valve	TVTC-50-NV-1/2-3/4	1	1
8	Non-return valve	VU 1-2"	1	1
9	Ball valve	RS2 15L	1	1
10	Stud coupling	1/2" - M18	6	6
11	EURO quick-release coupling + valve + plug	M22x1.5	2	2
12	Plug cover	ISO 12.5	2	2
13	Tee, M18xM18xM18	ISO 8434-2	2	2
14	Tee w/nut, asymmetric, M22xM22xM22	DIN 3859-1	2	2
15	Tee, M22xM22xM22	DIN 8353	1	1
16	Hydraulic eye bolt, M22	DIN 2353	4	4
17	Hydraulic eye bolt, 1/2"	DIN 2353	4	4
18	Hydraulic eye bolt, 3/4"	DIN 2353	1	1
19	Stud coupling, 1/2" - M22	DIN 2353	2	2
20	Hydraulic nut, M18x1.5	DIN 2353	12	12
21	Hydraulic nut, M22x1.5	DIN 2353	8	8
22	Stopping ring, Ø12	DIN 2353	10	10
23	Stopping ring, Ø15	DIN 2353	8	8
24	Sealing ring, M22	ISO 12151	22	22

No. in dwg	Name of assembly or part	Drawing No. or standard	Quantity – N267	Quantity – N267/1
25	Sealing ring, 3/4"	ISO 12151	2	2
26	Spring cotter, Ø5	DIN 11024	4	4
27	Hydraulic line, steel, Ø15	N267 09.00.01	1	-
	Hydraulic line, steel, Ø15	N267-1 09.00.01	-	1
28	Hydraulic line, steel, Ø15	N267 09.00.02	1	-
	Hydraulic line, steel, Ø15	N267-1 09.00.02	-	1
29	Hydraulic line, steel, Ø12	N267 09.00.03	1	-
	Hydraulic line, steel, Ø12	N267-1 09.00.03	-	1
30	Hydraulic line, steel, Ø12	N267 09.00.04	1	1
31	Hydraulic line, steel, Ø12	N267 09.00.05	1	-
	Hydraulic line, steel, Ø12	N267-1 09.00.05	-	1
32	Hydraulic line, steel, Ø12	N267 09.00.06	1	1
33	Hydraulic line, steel, Ø12	N267 09.00.07	1	-
	Hydraulic line, steel, Ø12	N267-1 09.00.07	-	1
34	Hydraulic line, steel, Ø12	N267 09.00.08	1	-
	Hydraulic line, steel, Ø12	N267-1 09.00.08	-	1
35	Hydraulic line, steel, Ø15	N267 09.00.10	1	1
36	Hydraulic line, steel, Ø15	N267 09.00.11	1	1
37	Hydraulic line, steel, Ø15	N267 09.00.12	1	1
38	Hydraulic line, steel, Ø15	N267 09.00.13	1	1
39	Hydraulic hose	RNMB/213/13L-500	2	2
40	Hydraulic hose	RNMB/2_1/10L-500	2	2
41	Hydraulic hose	RNMB/2_1/10L-300	2	2
42	Hydraulic hose	AA/233/13 L-3000	2	2

No. in dwg	Name of assembly or part	Drawing No. or standard	Quantity – N267	Quantity – N267/1
43	Lever, set	24DZS	2	2
44	Bolt, M12x35	PN/M-82105	2	2
45	Bolt, M14x50	PN/M-82105	2	2
46	Washer, Ø13	PN/M-82005	2	2
47	Washer, Ø15	PN/M-82005	2	2
48	Bowden cable	L=2.8 m	2	2
49	2-sectional directional control valve	RMD2	1	1
50	Hydraulic hose	A90A	2	2
51	Hydraulic hose	A90B	2	2
52	Hydraulic hose	24PRNMA/124/10	2	2
53	Bolt, M6x60	PN/M-82105	4	4
54	Bolt, M8x60	PN/M-82105	2	2
55	Washer, Ø6.5	PN/M-82005	4	4
56	Washer, Ø8.5	PN/M-82005	2	2
57	Nut, M6	PN/M-82175	4	4
58	Nut, M8	PN/M-82175	2	2