



METAL-FACH



CHAIN BALER

Z587/1

PARTS CATALOGUE

REVISION 3

07/06/2023

The information included in the catalogue is valid as of the date of its preparation. The manufacturer reserves its right to make design changes to machines, and due to this, some values or illustrations might not correspond to the actual state of the machine supplied to the user. The manufacturer reserves its right to make design changes without changing this catalogue.

CONTENTS

1. BALER BODY	6
2. DRAWBAR	8
3. PARKING JACK	11
4. RUNNING AXLE AND BALE EJECTOR.....	13
5. MAIN GEAR	15
6. GEARBOXES AND COUPLING CONNECTING THE CHAIN-ROD CONVEYOR PART 1.....	17
7. GEARBOXES AND COUPLING CONNECTING THE CHAIN-ROD CONVEYOR PART 2.....	20
8. CHAIN AND ROD CONVEYOR – DRIVE SHAFT	23
9. CHAIN AND ROD CONVEYOR – TENSIONER	25
10. FLOOR – BODY	28
11. FLOOR – LEFT-HAND SIDE TRANSMISSION	30
12. FLOOR – RIGHT-HAND SIDE TRANSMISSION.....	32
13. TOSS ASSEMBLY	34
14. FLOOR – FRONT SHAFT	37
15. FLOOR – REAR SHAFT.....	39
16. NARROW PICK-UP – BODY	41
17. NARROW PICK-UP – LEFT SIDE	43
18. NARROW PICK-UP – RIGHT SIDE.....	45
19. NARROW PICK-UP – AUGER FEEDERS.....	47
20. NARROW PICK-UP – AXLE SPRING	49
21. NARROW PICK-UP – DRIVE AXLE AND COUPLING	52
22. WIDE PICK-UP – BODY.....	54
23. WIDE PICK-UP – LEFT SIDE.....	56

24. WIDE PICK-UP – RIGHT SIDE	58
25. WIDE PICK-UP – AUGER FEEDERS	60
26. WIDE PICK-UP – AXLE SPRING	62
27. WIDE PICK-UP – DRIVE AXLE AND COUPLING	65
28. PICK-UP – LEFT WHEEL.....	67
29. PICK-UP – RIGHT WHEEL	69
30. NARROW WINDROW CLAMP	71
31. WIDE WINDROW CLAMP	73
32. TWINE WRAPPER – TWINE CONTAINER.....	75
33. STRING WRAPPER – FRONT PART 1.	77
34. STRING WRAPPER – FRONT PART 2.	80
35. TWINE WRAPPER – BACK	82
36. NET WRAPPER – BODY	84
37. NET WRAPPER – FEEDING UNIT	87
38. NET WRAPPER – CUTTING UNIT PART 1.....	90
39. NET WRAPPER – CUTTING UNIT PART 2.....	92
40. NET WRAPPER – CUTTING UNIT PART 3.....	95
41. CLEANING CLAWS AND SPREADER ROLLER.....	98
42. CENTRAL CHAIN LUBRICATION SYSTEM	100
43. CENTRAL CHAIN LUBRICATION SYSTEM – LEFT SIDE.....	103
44. CENTRAL CHAIN LUBRICATION SYSTEM – RIGHT SIDE	104
45. CENTRAL LUBRICATION SYSTEM FOR THE BEARINGS.....	105
46. HYDRAULICS – TAILGATE	107
47. HYDRAULICS – PICK-UP	110
48. ELECTRICAL INSTALLATION	112

49. LIGHTING	114
50. LEFT PLASTIC GUARD	117
51. RIGHT PLASTIC GUARD.....	120
52. GUARD LEFT METAL PART 1.....	123
53. GUARD LEFT METAL PART 2.....	125
54. RIGHT METAL GUARD PART 1.	127
55. RIGHT METAL GUARD PART 2.	129
56. FRONT GUARDS.....	131
57. REAR COVERS	133
58. SIDE GUARD LEFT	135
59. SIDE GUARDS RIGHT.....	137
60. WHEEL CHOCKS	139
NOTES.....	141

1. BALER BODY

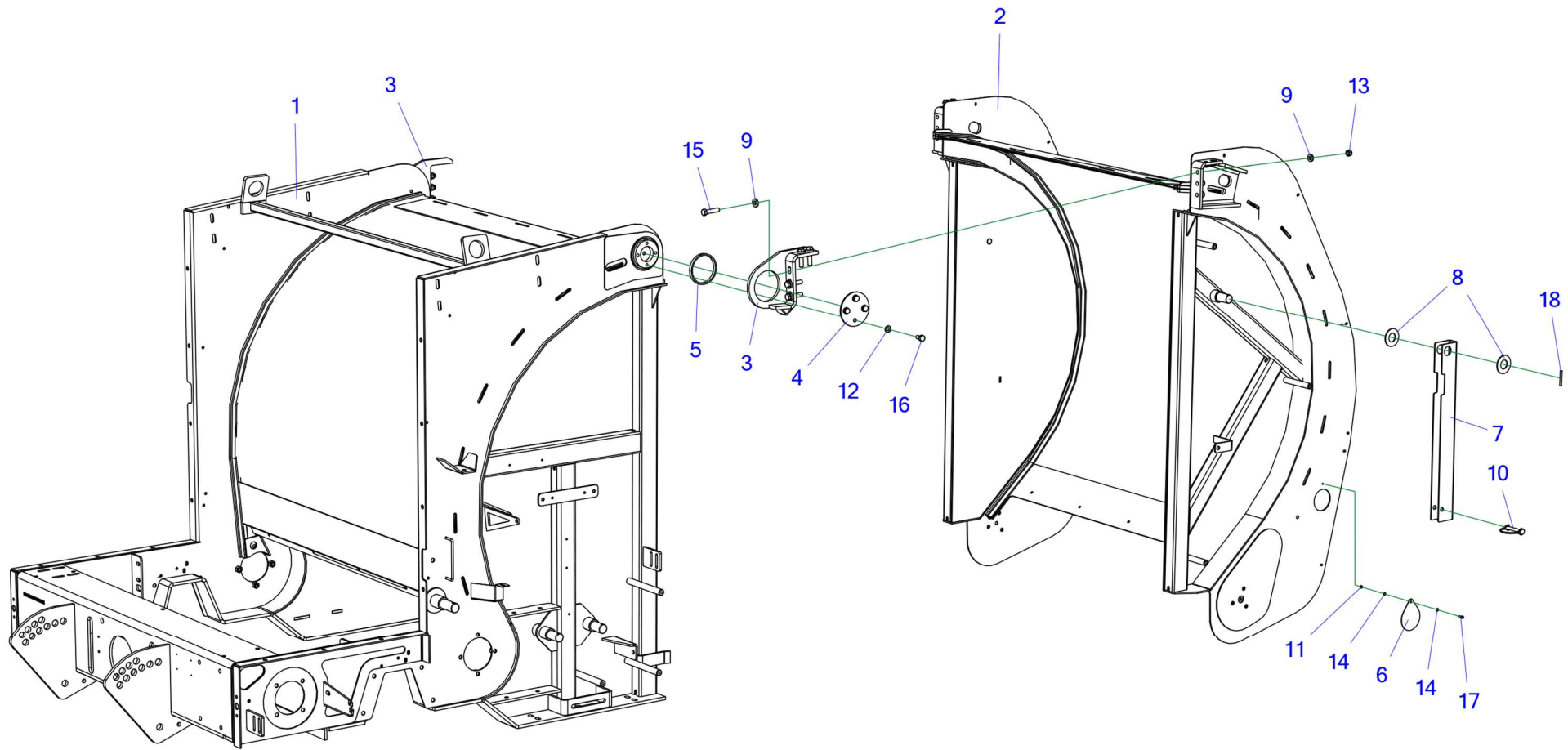


Table 1. Baler body

No.	Index	Name	Quantity
1	Z587 220.210.00	Welded front body	1
2	Z587 210.210.00	Welded rear body	1
3	Z587 010.3	Hinge	2
4	Z587 020.041.00	Hinge flange	2
5	Z587 020.042.00	Slide bushing	2
6	Z587 210.025.00	Flap	2
7	Z587 000.021.00	Actuator lock	2
8	Z587 000.009.00	Washer 30 x 61, 5 x 3	4
9	Z587 000.012.00	Washer	20
10	POD-ELZ-000543	Tubular pin 10 x 60 A-9.8 C-70	2
11	POD-ELZ-000471	Self-locking nut M5 galv., 82175 8	2
12	23P10 82005	Round washer 10 galv., 82005 82005	8
13	23NS12OC	Self-locking nut M12 galv., 82175 8 82175 8	10
14	23P5,3OC 82005	Round washer, dia. 5.3 galv., 82005 82005	4
15	POD-ELZ-000519	Bolt 12 x 50 galv., 10.9 82101	10
16	23S10/20OC 8.8	Bolt 10 x 20, galv., 8.8 82105 82105	8
17	POD-ELZ-000642	Bolt, 5 x 16 galv., 5.8 82105	2
18	POD-ELZ-000538	Spring pin 6 x 50 DIN 1481	2

2. DRAWBAR

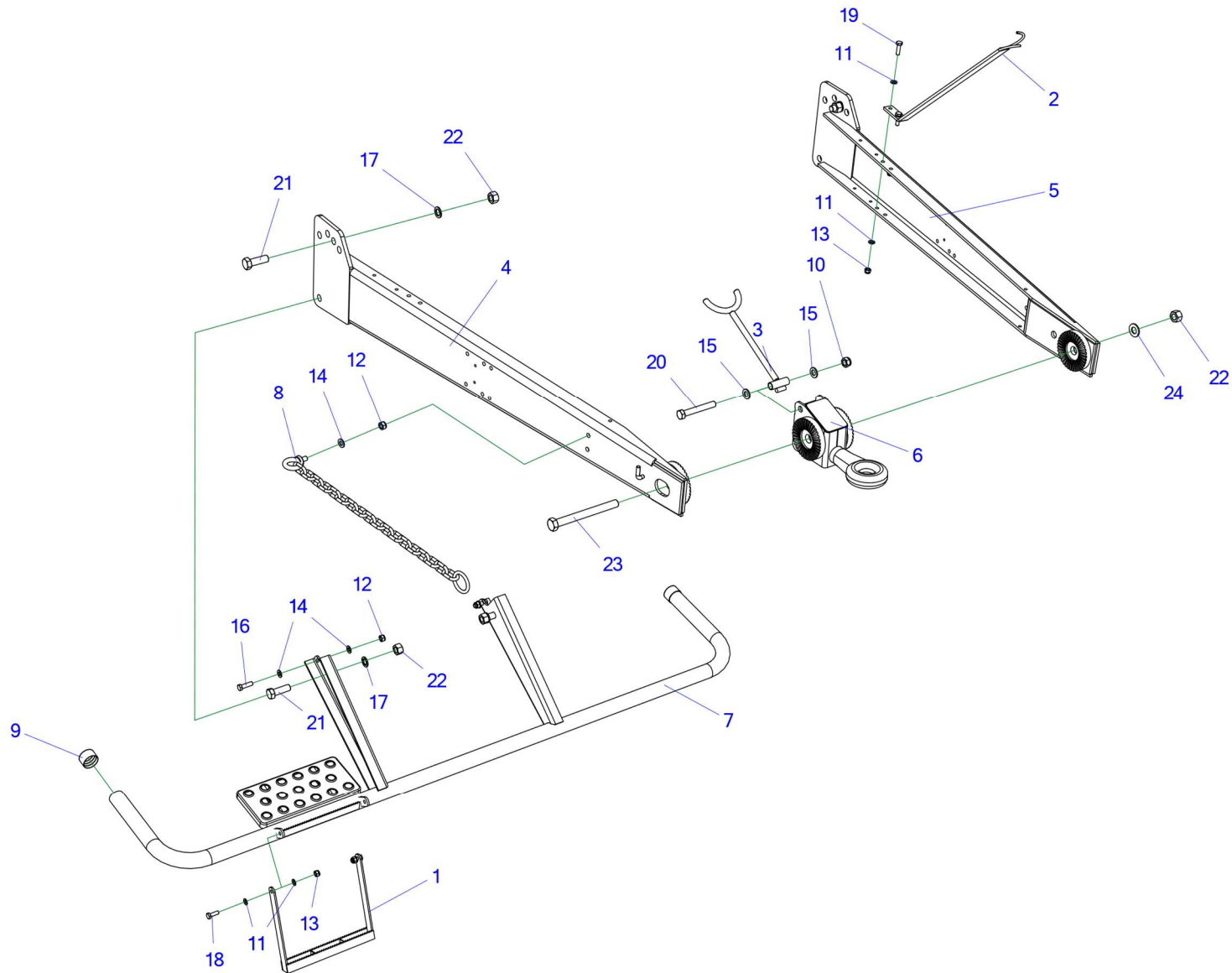


Table 2. Drawbar

No.	Index	Name	Quantity
1	Z562 000.003.500	Class II	1
2	Z589 001.004.110	Cable support	1
3	Z589 001.004.140	Shaft support	1
4	Z589 001.004.230	Right arm assy.	1
5	Z589 001.004.220	Left arm assy.	1
6	Z589 001.004.210	Hitch	1
7	Z589 001.004.300	Step tube	1
8	Z562 002.600.000	Chain, complete	1
9	POD-TSZ-000136	Cap 48.3 mm yellow 10295	2
10	23NS16OC	Self-locking nut M16 galv., 82175 8 82175 8	1
11	23P10 82005	Round washer 10 galv., 82005 82005	8
12	23NS12OC	Self-locking nut M12 galv., 82175 8 82175 8	3
13	23NS10OC	Self-locking nut M10 galv., 82175 8 82175 8	4
14	23P12OC	Round washer 12 galv., 82005	5
15	23P16OOC	Round washer 16 galv., 82005 82005	2
16	23S12/40OC 8.8	Bolt 12 x 40 galv., 8.8 82105 82105	2
17	23P20SP	Spring washer, 20.5 galv., 82008 82008	4
18	23S10/30OC 8.8	Bolt 10 x 30 galv., 8.8 82105 82105	2
19	23S10/35OC 8.8	Bolt 10 x 35 galv., 8.8 82105 82105	2
20	23S16/110OC 8.8	Bolt 16 x 110 galv., 8.8 82101 82101	1
21	23S20/60 8.8 OC	Bolt 20 x 60 galv., 8.8 82105 82105	4
22	23N M20 CL.8 DIN934OC	Nut M20 galv., 8.8 DIN934 8 DIN934 8	5

No.	Index	Name	Quantity
23	POD-ELZ-000924	bolt 20 x 200 galv., 10.9 82101	1
24	POD-ELZ-001040	M20 contact pad	1

3. PARKING JACK

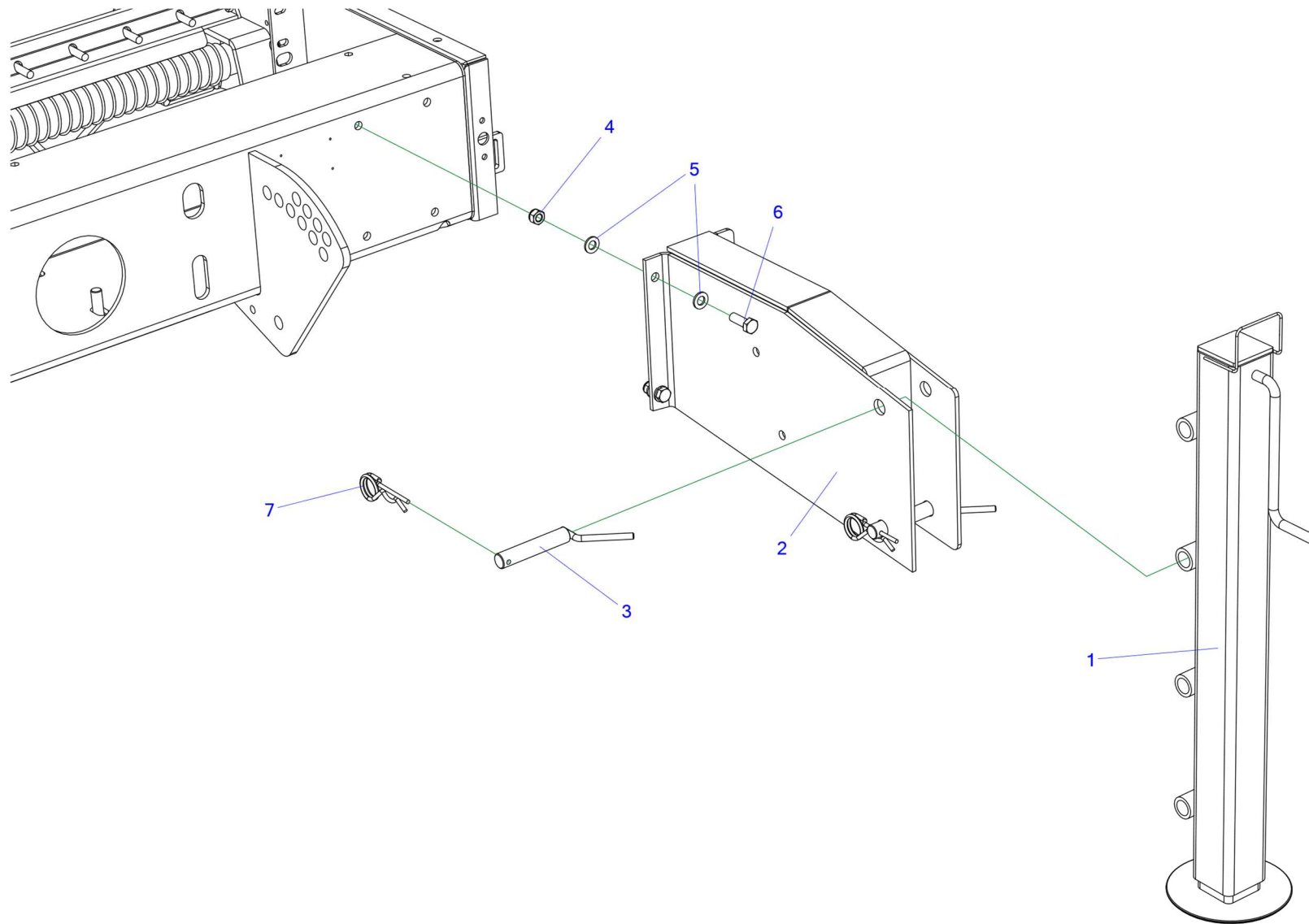


Table 3. Parking jack

No.	Index	Name	Quantity
1	Z587 080.210.00	Parking jack	1
2	Z562 300.211.000	Parking jack bracket	1
3	Z562 000.212.000	Parking jack pin assy.	2
4	23NS12OC	Self-locking nut M12 galv., 82175 8 82175 8	4
5	23P12OC	Round washer 12 galv., 82005	8
6	23S12/35OC 8.8	Bolt 12 x 35 galv., 8.8 82105 82105	4
7	23ZSP5	Elastic double cotter pin 5 mm galv., (letter R chassis)	2

4. RUNNING AXLE AND BALE EJECTOR

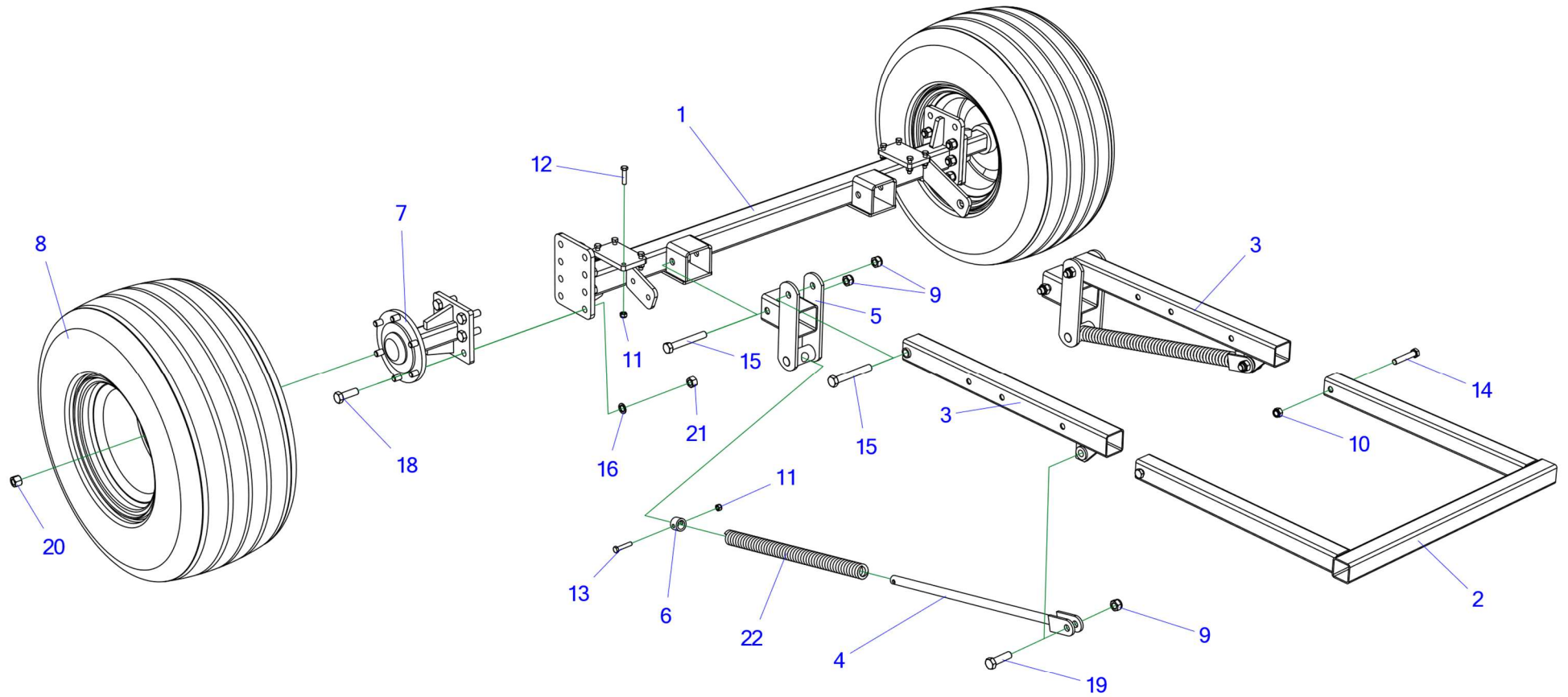


Table 4. Running axle and bale ejector

No.	Index	Name	Quantity
1	Z587 040.210.01	Welded axle	1
2	Z589 C003083MF	Bow	1
3	Z589 7S00973MF	Bale ejector arm	2
4	Z589 7S00972	Spring bar	2
5	Z589 7S00971	Bale ejector mount	2
6	Z589 1300593	Sleeve	2
7	25PQ060X0210 LA06	Axle shaft Z562	2
8	25K400/60/15,3	Wheel 400/60-15.5 14PR	2
9	23NS20OC 82175	Self-locking nut M20 galv., 82175 8 82175 8	6
10	23NS16OC	Self-locking nut M16 galv., 82175 8 82175 8	2
11	23NS12OC	Self-locking nut M12 galv., 82175 8 82175 8	10
12	POD-ELZ-000519	Bolt 12 x 50 galv., 10.9 82101	8
13	23S12/60OC 8.8	Bolt 12 x 60 galv., 8.8 82101 82101	2
14	23S16/90OC	Bolt 6 x 90 galv., 8.8 82101 82101	2
15	POD-ELZ-000474	Bolt 20 x 140 galv., 8.8 82101	4
16	23P20SP	Spring washer, 20.5 galv., 82008 82008	12
17	23P12SP	Spring washer 12 galv., 82008 82008	8
18	23S20/60OC 8.8	Bolt 20 x 60 galv., 8.8 82101 82101	12
19	23S20/70OC 8.8	Bolt 20 x 70 galv. 8.8 82101 82101	2
20	POD-ELZ-000490	Wheel nut 18 x 1.5	12
21	23N20OC	Nut M20 galv., 82144 5 82144 5	12
22	POD-SPR-000053	Tension spring 9/48/660/52 galv., (maz-4517/FE-1800057)	2

5. MAIN GEAR

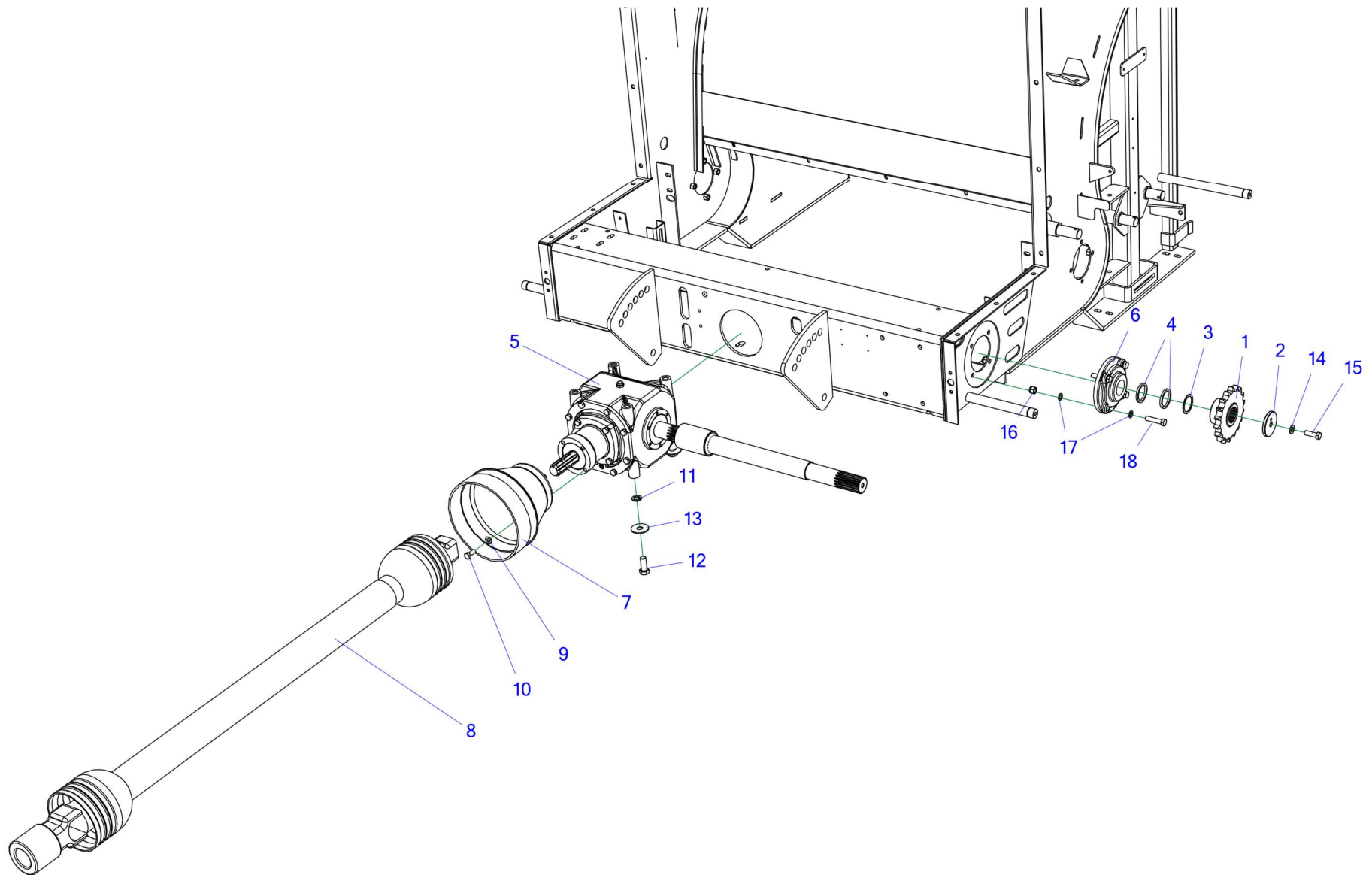


Table 5. Main gear

No.	Index	Name	Quantity
1	Z587 050.220.00	Wheel Z18-16B, complete POD-EOS-000389	1
2	Z562 000.000.069	Washer I	1
3	Z587 000.008.00	Washer	1
4	Z587 000.013.00	Washer	2
5	POD-WPS-000150	Gearbox MB06.03	1
6	25L209UCFC	Bearing unit UCFC209	1
7	25OW	Shaft guard	1
8	POD-WPS-000226	Articulated shaft 60025/602.K6-1/5NW 1860 Nm L=1410/2100 1.3/8 Z6	1
9	23P10 82005	Round washer, 10 galv., 82005	4
10	23S10-25OC 8.8	Bolt, 10 x 25 galv., 82105 82105	4
11	23P16SP	Spring washer, dia. 16.3 galv., 82008	4
12	23S16-40 8.8OC	Bolt 16 x 40 galv., 82105	4
13	POD-ELZ-000384	Round washer 16 galv., coat. 82030	4
14	23P12SP	Spring washer 12 galv., 82008	1
15	23S12-35OC 8.8	Bolt 12 x 35 galv., 82105	1
16	23NS12OC	Self locking nut M12 galv., 82175 8	4
17	23P12OC	Round washer 12 galv., 82005	8
18	23S12-50OC 8.8	Bolt 12 x 50 galv., 82101 82101	4

6. GEARBOXES AND COUPLING CONNECTING THE CHAIN-ROD CONVEYOR PART 1.

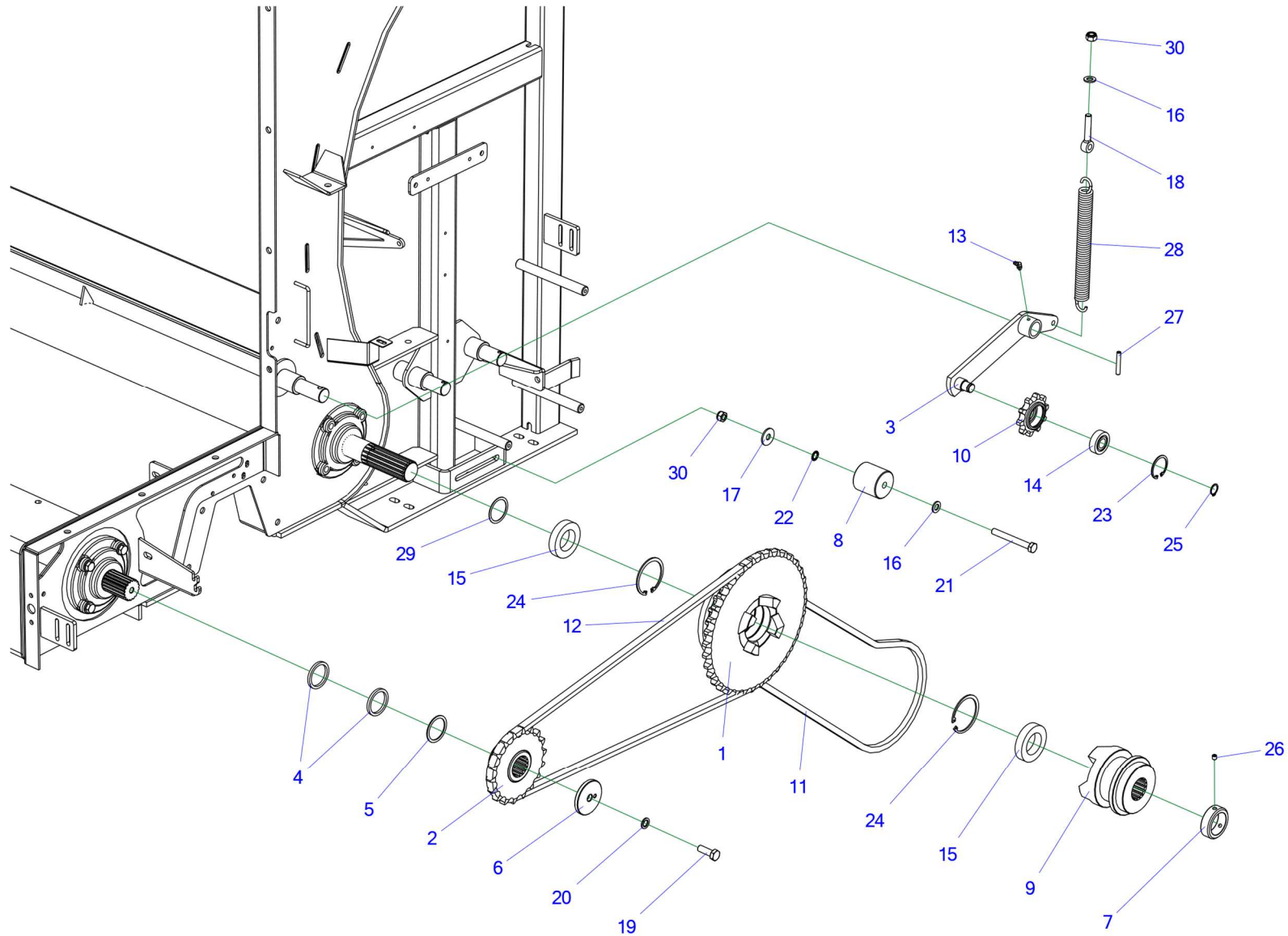


Table 6. Gearboxes and coupling connecting the chain-rod conveyor part 1.

No.	Index	Name	Quantity
1	Z587 050.240.00	Double wheel Z22-Z35-16b POD-EOS-000390	1
2	Z587 050.220.00	Wheel Z18-16B, complete POD-EOS-000389	1
3	Z587 050.300.00	Tensioner	1
4	Z587 000.013.00	Washer 45, 1 x 55 x 5	2
5	Z587 000.008.00	Washer	1
6	Z562 000.000.069	Washer I	1
7	Z587 050.049.00	Heavy duty circlip 45	1
8	Z562 000.000.208	Slide III	1
9	Z587 050.011.01	Claw coupling 2 POD-EOS-000388	1
10	Z582 080.004.00	Wheel 16B1 Z10	1
11	POD-LAN-000109	16B1 76 link incl. straight connector	1
12	POD-LAN-000109	16B1 83 link incl. curved connector	1
13	23SM6KAT45	Lubricating nipple M6 x 1.0 45 angle	1
14	POD-LOZ-000008-1	Bearing 6204 2RS	1
15	POD-LOZ-000139	Bearing 6009 2RS (Fe)	2
16	23P12OC	Round washer 12 galv., 82005	2
17	23P12OOC	Round washer, round 12 galv., coat. 82030	1
18	POD-ELZ-000546	Eye bolt 12 x 70 DIN444 LB galv.	1
19	23S12/35OC 8.8	Bolt 12 x 35 galv., 8.8 82105 82105	1
20	23P12SP	Spring washer 12 galv., 82008 82008	1
21	23S12/100 8.8	Bolt 12 x 100 black, 8.8 82105 82105	1
22	23PW12,3OC	Spring washer w/z M12 galv., DIN6798DD	1

No.	Index	Name	Quantity
23	POD-ELZ-000008-1	Circlip W47	1
24	POD-ELZ-000517	Circlip W75	2
25	23SZ20	Circlip, Z20	1
26	POD-ELZ-000863	Set screw 8 x1 0 DIN 914	2
27	23K8/50	Spring pin 8 x 50 DIN 1481	1
28	POD-SPR-000063	Tension spring 5/29/295/49.5 galv., (maz-6528) (FE-1822744)	1
29	POD-ELZ-000912	Spacer 45 x 55 x 1 988455510P025	1
30	23NS12OC	Self-locking nut M12 galv., 82175 8 82175 8	2

7. GEARBOXES AND COUPLING CONNECTING THE CHAIN-ROD CONVEYOR PART 2.

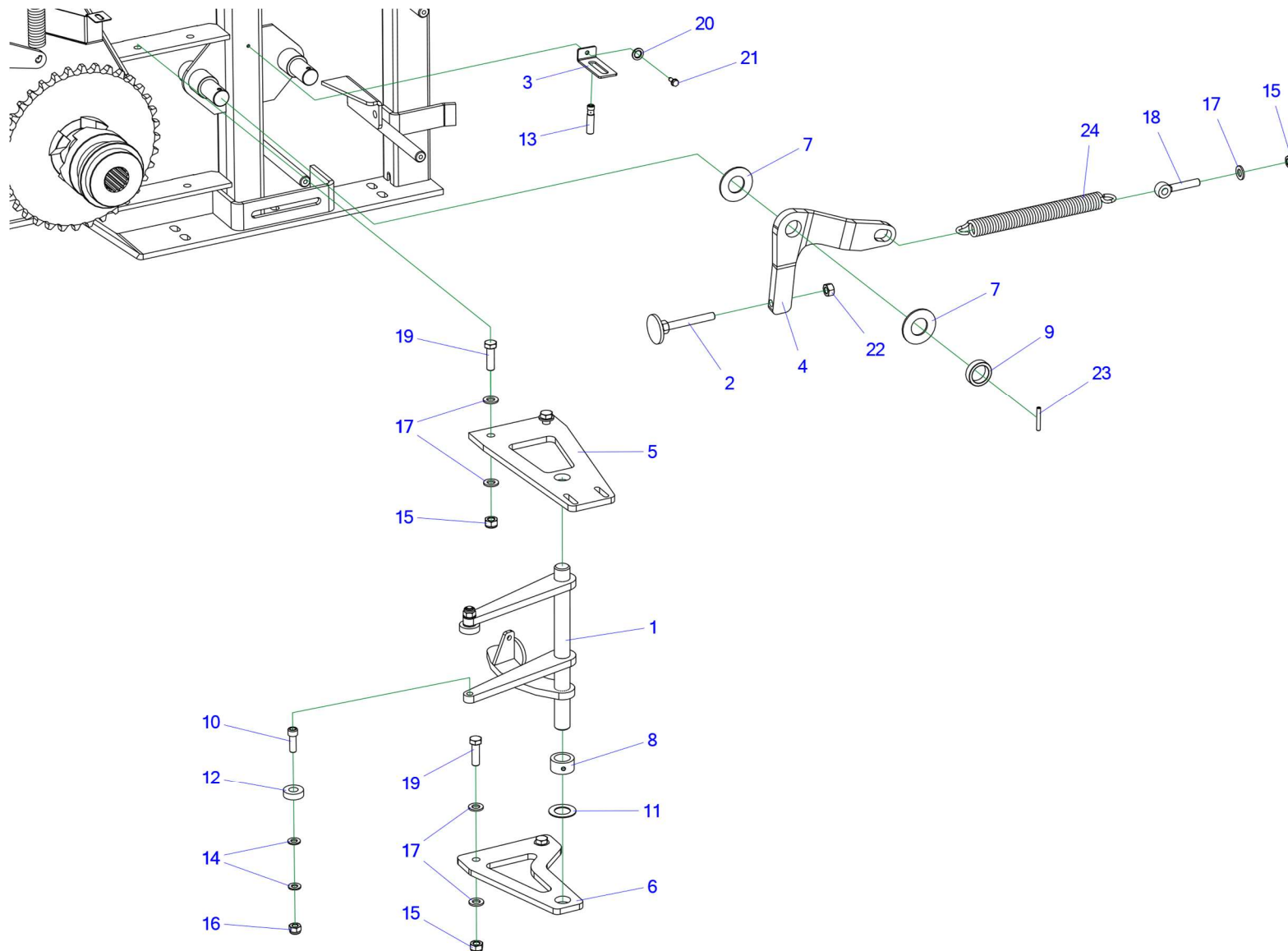


Table 7. Gearboxes and coupling connecting the chain-rod conveyor part 2.

No.	Index	Name	Quantity
1	Z587 050.290.01	Clutch lever	1
2	Z587 050.310.00	Clutch adjuster	1
3	Z587 000.001.00	Sensor support	1
4	Z587 250.024.00	Lever	1
5	Z587 250.028.00	Coupling plate	1
6*	Z587 250.029.00	Lower coupling bracket	1
7	Z587 000.009.00	Washer 30 x 61.5 x 3	2
8	Z587 050.042.00	Adjustment sleeve	1
9	Z587 050.043.00	Spacer bushing	1
10	Z587 050.046.00	Bearing puller screw	2
11	POD-LOZ-000223	Washer GTM-2644-015 (26 x 44 x 1.5)	1
12	POD-LOZ-000167	Bearing 6002 2RS (Fe)	2
13	POD-ELK-000347	Inductive sensor BI4M12-AP6X-H1141	1
14	23P10 82005	Round washer 10 galv., 82005 82005	4
15	23NS12OC	Self-locking nut M12 galv., 82175 8 82175 8	5
16	23NS10OC	Self-locking nut M10 galv., 82175 8 82175 8	2
17	23P12OC	Round washer 12 galv., 82005	9
18	POD-ELZ-000546	Eye bolt 12 x 70 DIN444 LB galv.	1
19	POD-ELZ-000421	Bolt 12 x 40 galv., 10.9 82105	4
20	23P12SP	Spring washer 12 galv., 82008 82008	1
21	POD-ELZ-000513	Self-forming screw 6 x 16 galv., DIN 7500D-six	1
22	23N12	Nut M12 black 82144 5 82144 5	1

No.	Index	Name	Quantity
23	23K6/40	Spring pin 6 x 40 DIN 1481	1
24	POD-SPR-000063	Tension spring 5/29/295/49.5 galv., (maz-6528) (FE-1822744)	1

*Coupling bracket for presses with plastic covers: Z587 250.029.00

Coupling bracket for presses with metal covers: Z587 250.027.00

8. CHAIN AND ROD CONVEYOR – DRIVE SHAFT

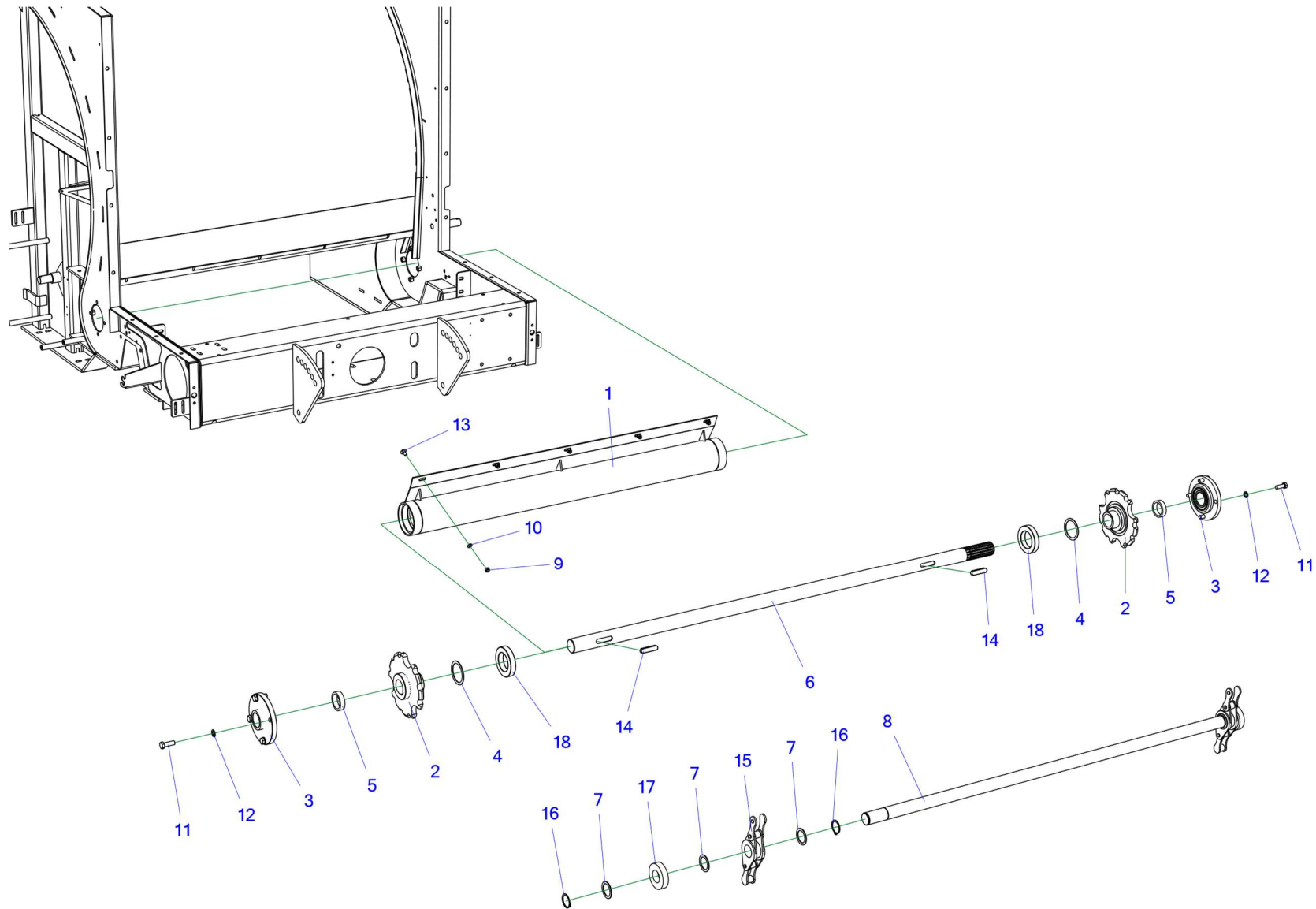


Table 8. Chain and rod conveyor – drive shaft

No.	Index	Name	Quantity
1	Z582 010.390.00	Drive shaft tube	1
2	Z582 010.240.00	Welded sprocket	2
3	25L209UCFC	Bearing unit UCFC209	2
4	Z587 050.017.00	Washer 60 x 72 x 2	2
5	Z587 020.029.00	Spacer bushing	2
6	Z587 020.028.01	Shaft POD-EOS-000387	1
7	Z587 000.010.00	Washer 35 x 47 x 2	240
8	Z587 050.047.00	Rolling chain bar	40
9	23NS8OC	Self-locking nut M8 galv., 82175 8 82175 8	5
10	23P8OOC	Round washer 8 galv., 82005 82005	5
11	23S12/35OC 8.8	Bolt 12 x 35 galv., 8.8 82105 82105	8
12	23P12SP	Spring washer 12 galv., 82008 82008	8
13	POD-ELZ-000423	Carriage bolt 8 x 20 galv., 8.8 82406	5
14	POD-ELZ-000549	Key 14 x 9 x 60	2
15	POD-LAN-000109	Roller chain CA 650 40 links + straight connector	2
16	23SZ35	Circlip Z35	160
17	POD-LOZ-000160	Bearing LR207 2RS (Fe)	80
18	POD-LOZ-000172	Bearing 6012 2RS	2

9. CHAIN AND ROD CONVEYOR – TENSIONER

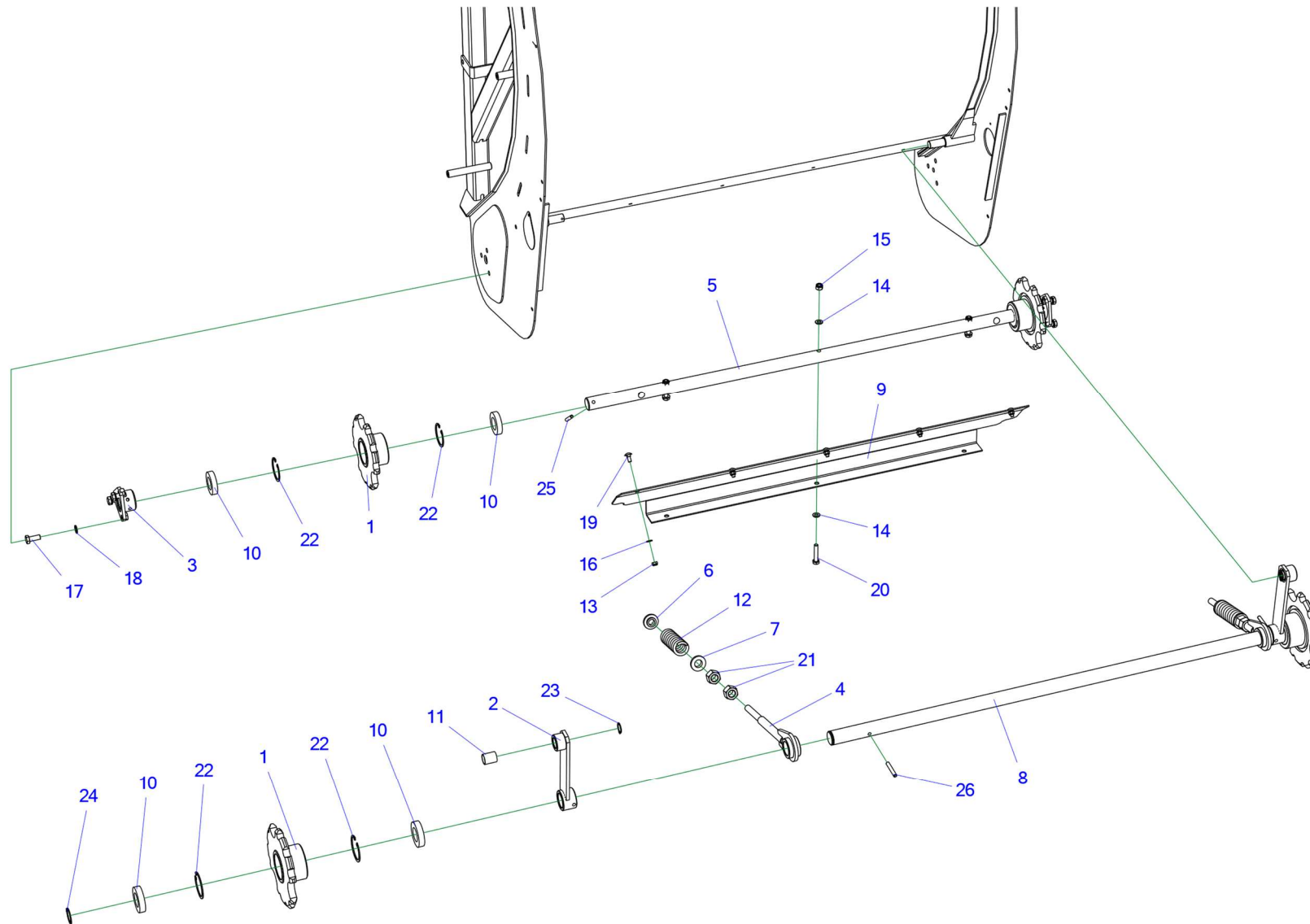


Table 9. Chain and rod conveyor – tensioner

No.	Index	Name	Quantity
1	Z582 010.250.00	Welded sprocket bottom	4
2	Z602 002.002.100	Tensioner arm	2
3	Z582 010.260.00	Axle mounts	2
4	Z587 210.350.00	Tensioner rod	2
5	Z602 002.002.005	Axis	1
6	Z602 002.002.004	Spring washer	2
7	Z602 002.002.003	Spring washer	2
8	Z602 002.002.001	Tensioner axle	1
9	Z587 210.021.00	Bottom sheet steel	1
10	POD-LOZ-000170	Bearing 6007 2RS (Fe)	8
11	POD-LOZ-000283	Sleeve GSM-2225-30	2
12	23SS7/40/110	Compression spring 7/41/110/10 galv., (maz-1785)	2
13	23NS8OC	Self-locking nut M8 galv., 82175 8 82175 8	5
14	23P10 82005	Round washer 10 galv., 82005 82005	6
15	23NS10OC	Self-locking nut M10 galv., 82175 8 82175 8	3
16	23P8OOC	Round washer 8 galv., 82005 82005	5
17	23S12/30OC 8.8	Bolt 12 x 30 galv., 8.8 82105 82105	6
18	23P12SP	Spring washer 12 galv., 82008 82008	6
19	POD-ELZ-000423	Carriage bolt 8 x 20 galv., 8.8 82406	5
20	23S10/55OC	Bolt 10 x 55 galv., 8.8 82105 82105	3
21	23N20OC	Nut M20 galv., 82144 5 82144 5	4
22	23SW62	Circlip W62	8

No.	Index	Name	Quantity
23	POD-ELZ-000646	Circlip Z22	2
24	23SZ35	Circlip Z35	2
25	POD-ELZ-000009-1	Spring pin 8 x 60 DIN 1481 DIN 1481	2
26	23K8/50	Spring pin 8 x 50 DIN 1481	2

10. FLOOR – BODY

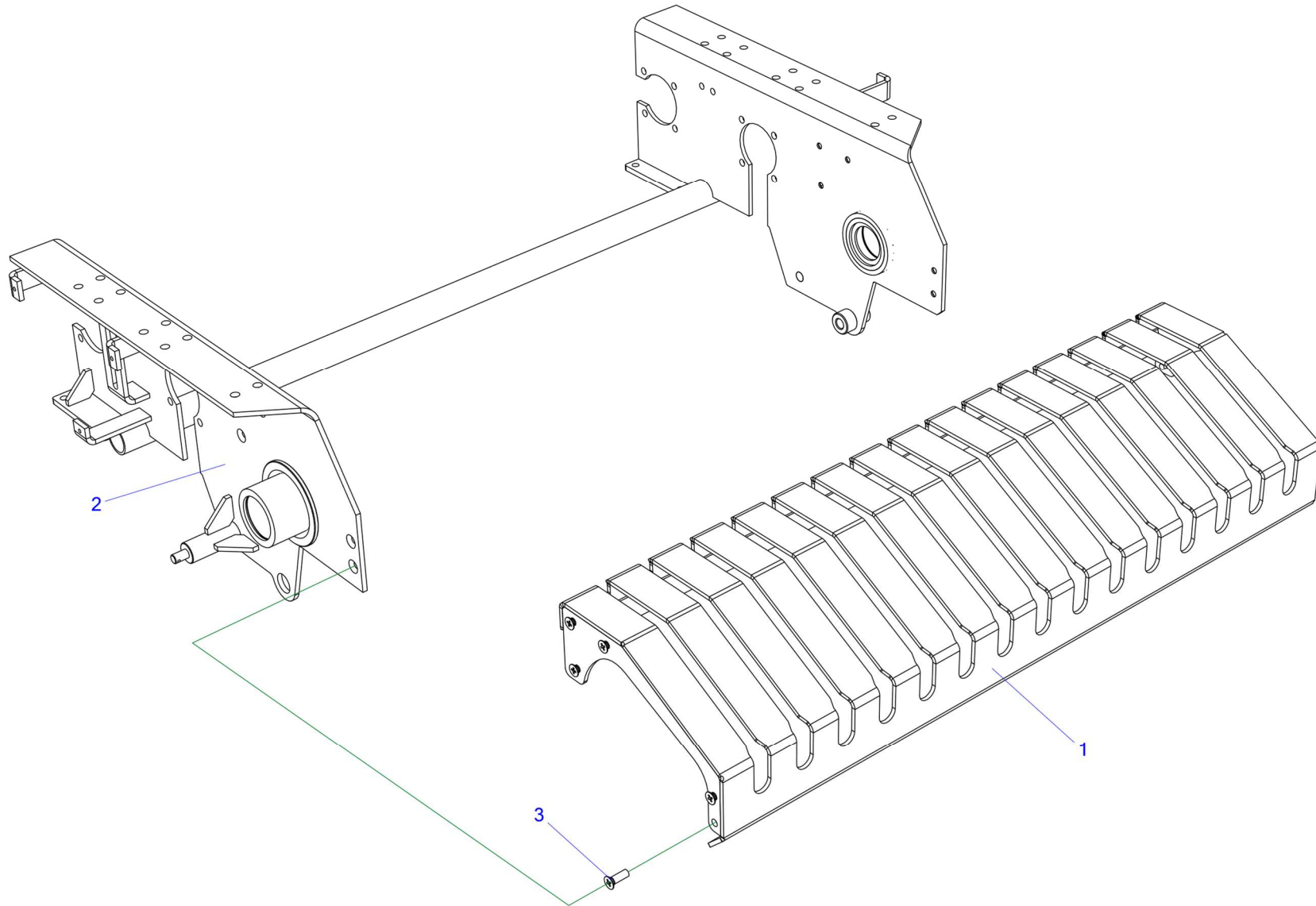


Table 10. Floor – body

No.	Index	Name	Quantity
1	Z587 030.320.00	Welded topper guard	1
2	Z587 030.210.01	Lower frame	1
3	POD-ELZ-000007-1	Bolt 10 x 30 galv., 82208 82208	10

11. FLOOR – LEFT-HAND SIDE TRANSMISSION

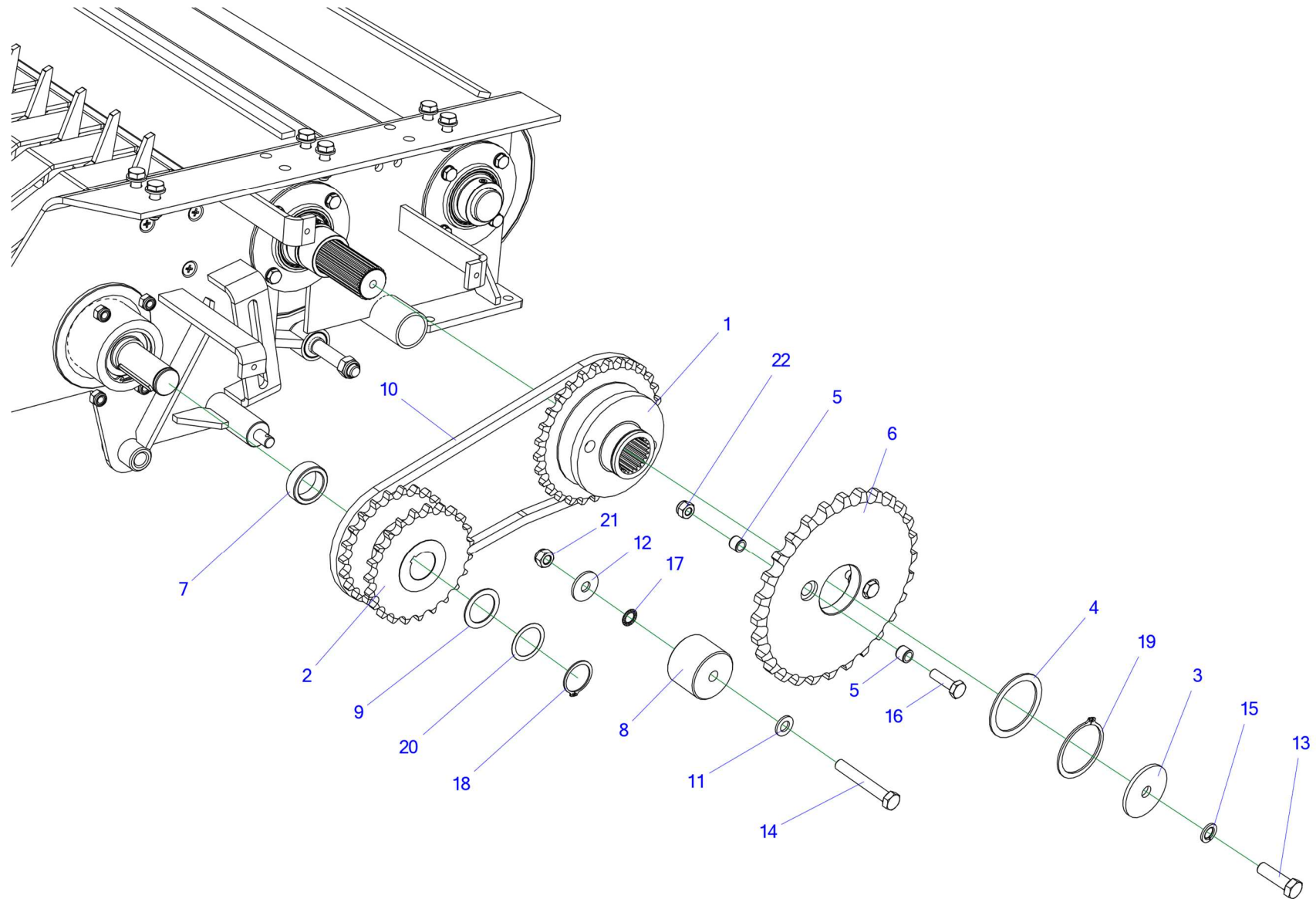


Table 11. Floor – left-hand side transmission

No.	Index	Name	Quantity
1	Z587 050.270.01	Double wheel hub Z28/Z29 POD-EOS-000420	1
2	Z587 050.250.00	Double wheel Z23-12B	1
3	Z587 030.041.00	Washer	1
4	Z587 050.017.00	Washer 60 x 72 x 2	1
5	Z587 050.015.01	Sleeve	4
6	Z587 050.004.00	Wheel Z28-16B	1
7	Z587 030.042.00	35 x 16 spacer sleeve	1
8	Z562 000.000.207	Slide II	1
9	Z562 096.000.042	Washer 48 x 35 x 1.5	1
10	POD-LAN-000109	12B1 58 link incl. straight connector	1
11	23P12OC	Round washer 12 galv., 82005	1
12	23P12OOC	Round washer, round 12 galv., coat. 82030	1
13	23S12/40OC 8.8	Bolt 12 x 40 galv., 8.8 82105 82105	1
14	23S12/80OC 8.8	Bolt 12 x 80 galv., 8.8 82101 82101	1
15	23P12SP	Spring washer 12 galv., 82008 82008	1
16	POD-ELZ-000830	Bolt 10 x 35 galv., 10.9 82105	2
17	23PW12,3OC	Spring washer w/z m12 galv., DIN6798DD	1
18	23SZ35	Circlip Z35	1
19	POD-ELZ-000364	Circlip Z60	1
20	POD-ELZ-000877	Spacer PS 35 x 45 x 0.5	1
21	23NS12OC	Self-locking nut M12 galv., 82175 8 82175 8	1
22	23NS10OC	Self-locking nut M10 galv., 82175 8 82175 8	2

12. FLOOR – RIGHT-HAND SIDE TRANSMISSION

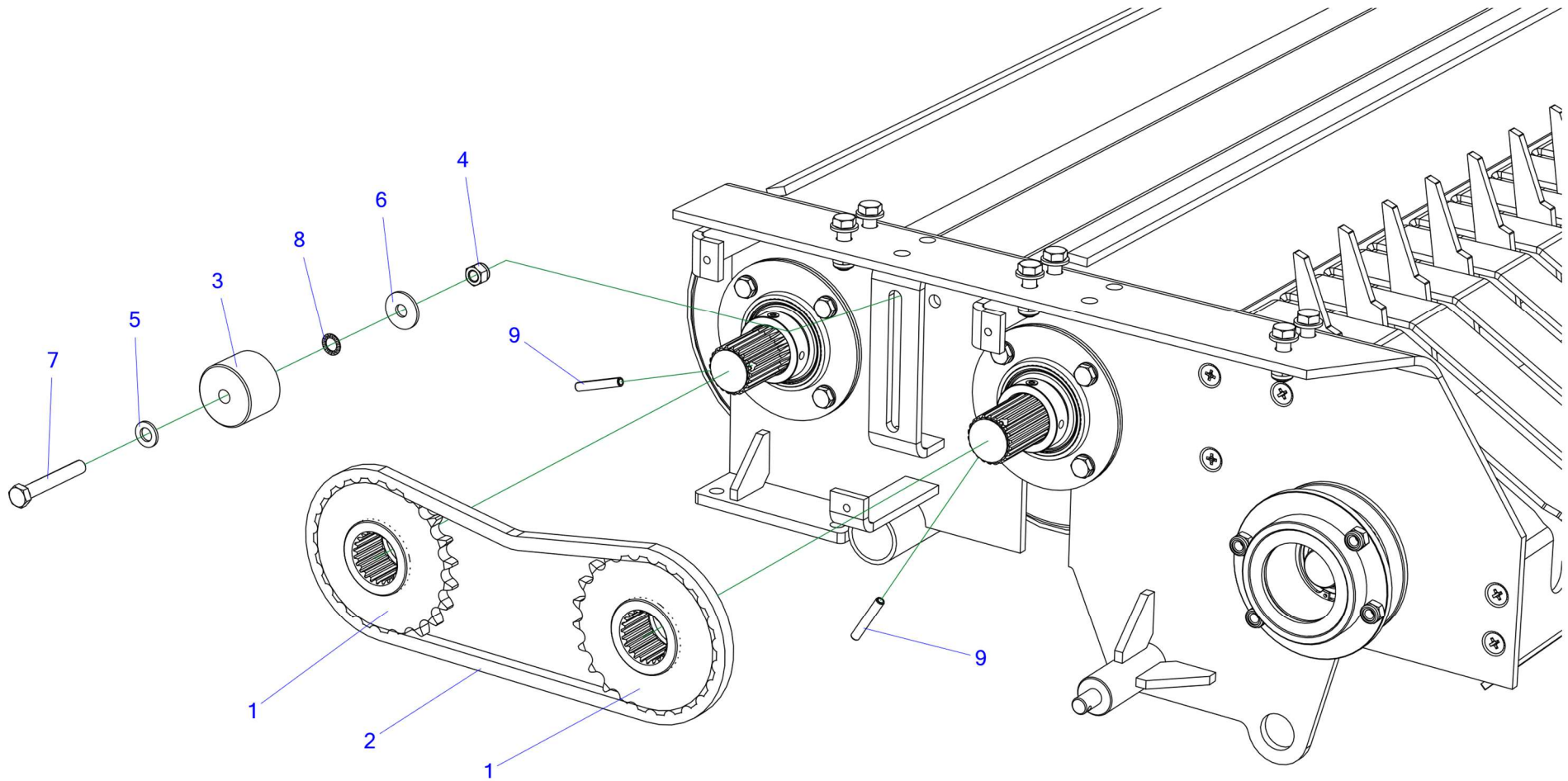


Table 12. Floor – right-hand side transmission

No.	Index	Name	Quantity
1	Z587 050.230.01	Chain wheel Z23 POD-EOS-000419	2
2	POD-LAN-000109	12B1 52 link incl. straight connector	1
3	Z562 000.000.207	Slide II	1
4	23NS12OC	Self-locking nut M12 galv., 82175 8 82175 8	1
5	23P12OC	Round washer 12 galv., 82005	1
6	23P12OOC	Round washer, round 12 galv., coat. 82030	1
7	23S12/80OC 8.8	Bolt 12 x 80 galv., 8.8 82101 82101	1
8	23PW12,3OC	Spring washer w/z M12 galv.,DIN6798DD	1
9	23K8/50	Spring pin 8 x 50 DIN 1481	2

13. TOSS ASSEMBLY

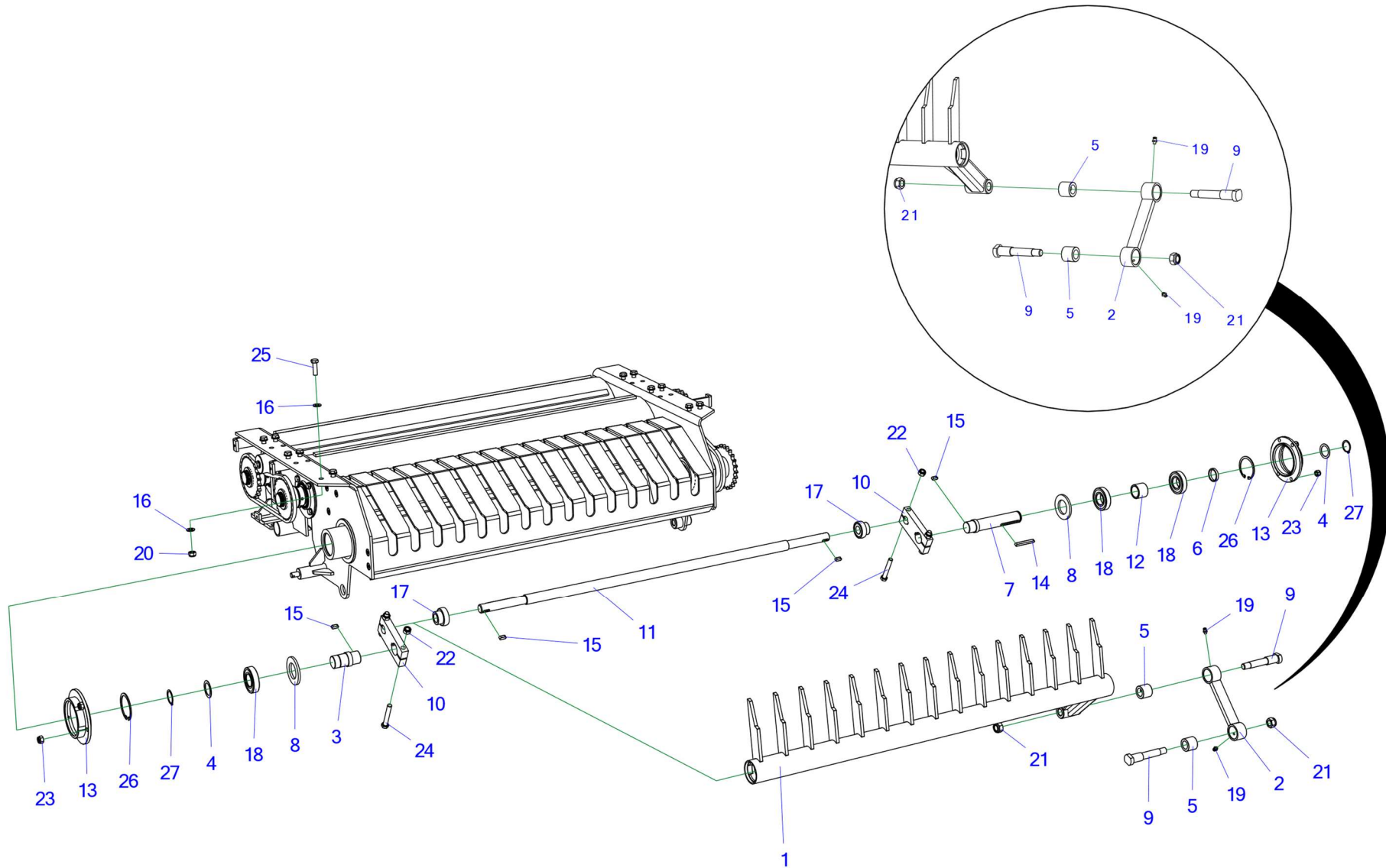


Table 13. Toss assembly

No.	Index	Name	Quantity
1	Z562 095.001.000.1	Welded rakes	1
2	Z562 095.003.000	Connector I set	1
3	Z587 030.028.00	Right axle shaft	1
4	Z562 096.000.042	Washer 48 x 35 x 1.5	2
5	Z562 095.003.003	Slide bushing	2
6	Z562 095.000.024	Spacer	1
7	Z562 095.000.012	Left axle shaft	1
8	Z562 095.000.006	Thrust washer	2
9	Z562 095.000.005	Special bolt M16	2
10	Z562 095.000.004	Toss block	2
11	Z562 095.000.002.1	Toss axle	1
12	Z562 095.000.014	Spacer bushing	1
13	Z562 095.000.009.1	Housing I	2
14	23WP8/7/70	Key 8 x 7 x 70	1
15	23WP8/7/20	Key 8 x 7 x 20 DIN 6885	4
16	23P12OC	Round washer 12 galv., 82005	24
17	25L205	Bearing FD205	2
18	POD-LOZ-000171	Bearing 6207 2RS (Fe) cat. B	3
19	23SM	Grease nipple M6 x 1.0 simple	2
20	23NS12OC	Self-locking nut M12 galv., 82175 8 82175 8	12
21	23NS16OC	Self-locking nut M16 galv., 82175 8 82175 8	2
22	23NS12OC	Self-locking nut M12 galv., 82175 8 82175 8	4

No.	Index	Name	Quantity
23	23NS10OC	Self-locking nut M10 galv., 82175 8 82175 8	8
24	23S12/80OC 8.8	Bolt 12 x 80 galv.,8.8 82101 82101	4
25	23S12/40OC	Bolt 12 x 4 0 galv., 8.8 82101 82101	12
26	23SW72	Circlip W72	2
27	23SZ35	Circlip Z35	2

14. FLOOR – FRONT SHAFT

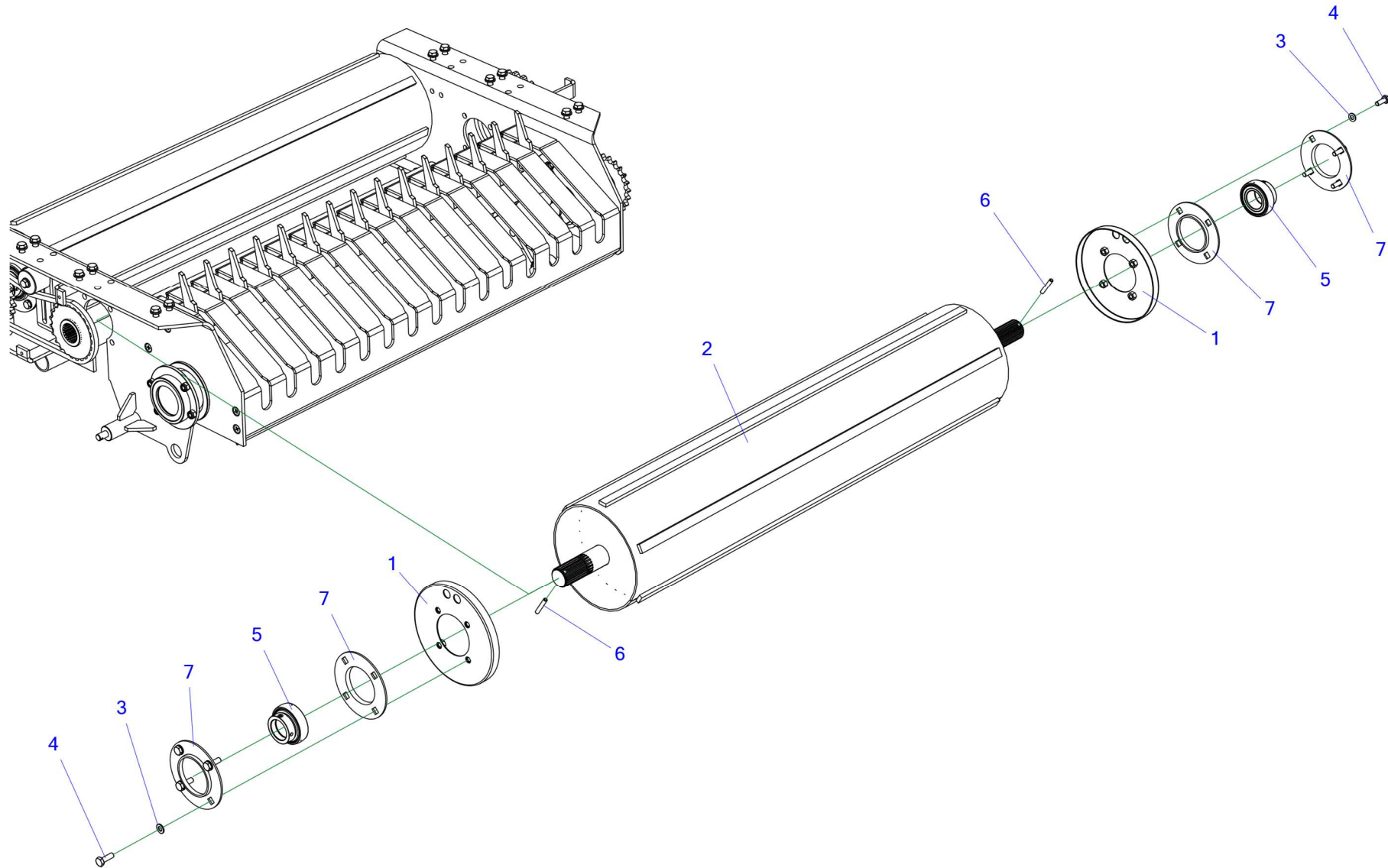


Table 14. Floor – front shaft

No.	Index	Name	Quantity
1	Z587 030.260.01	Shaft guard	2
2	Z587 030.220.01	Toss shaft assy. 1	1
3	23P10 82005	Round washer 10 galv., 82005 82005	8
4	23S10/30 8.8	Bolt 10 x 30 black, 8.8 82105 82105	8
5	25LO209	Bearing FD209	2
6	23K8/50	Spring pin 8 x 50 DIN 1481	2
7	POD-LOZ-000209	Metal housing P-209	4

15. FLOOR – REAR SHAFT

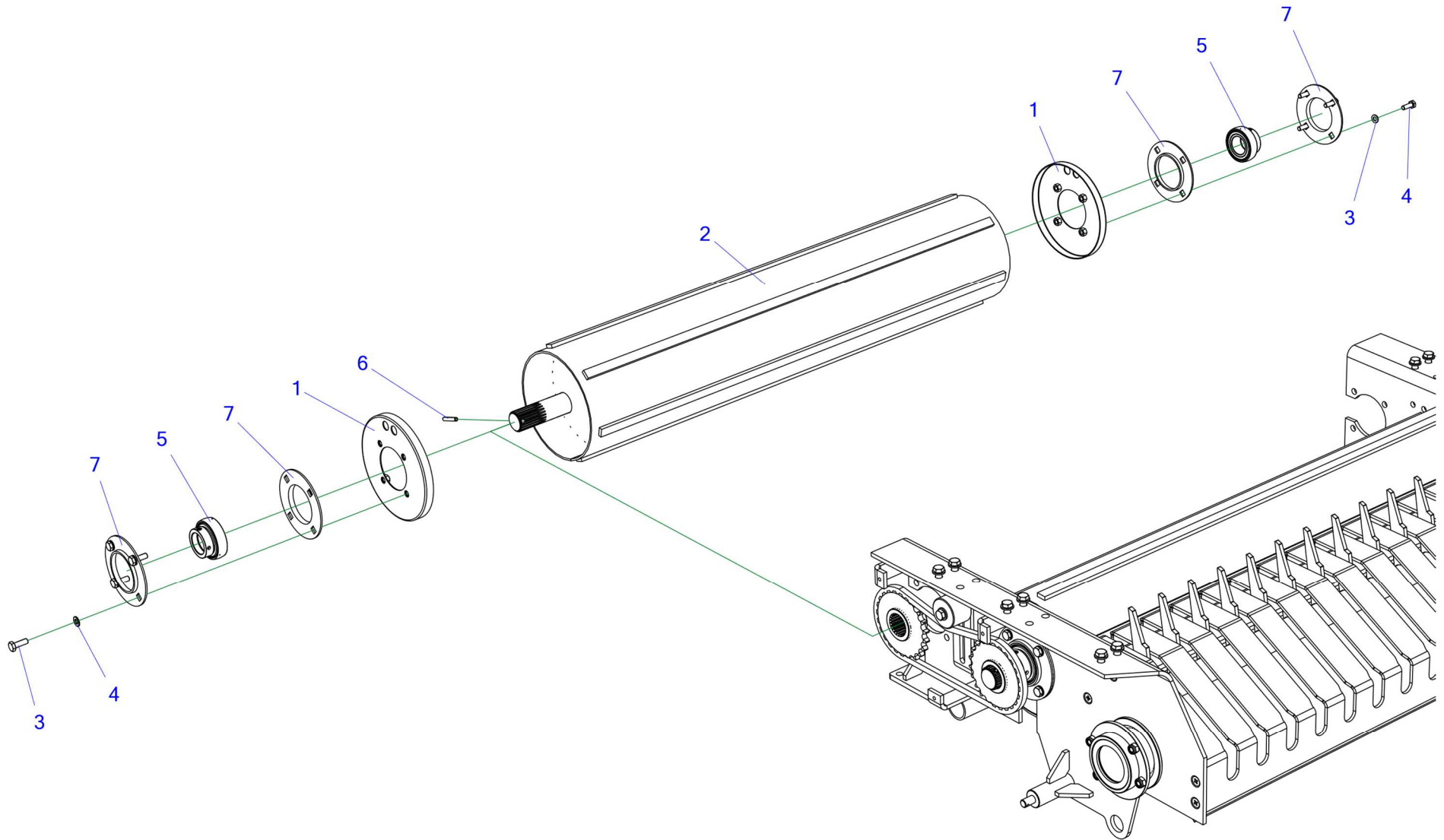


Table 15. Floor – rear shaft

No.	Index	Name	Quantity
1	Z587 030.260.01	Shaft guard	2
2	Z587 030.250.02	Toss shaft assy. 2	1
3	23S10/30 8.8	Bolt 10 x 30 black, 8.8 82105 82105	8
4	23P10 82005	Round washer 10 galv., 82005 82005	8
5	25LO209	Bearing FD209	2
6	23K8/50	Spring pin 8 x 50 DIN 1481	1
7	POD-LOZ-000209	Metal housing P-209	4

16. NARROW PICK-UP – BODY

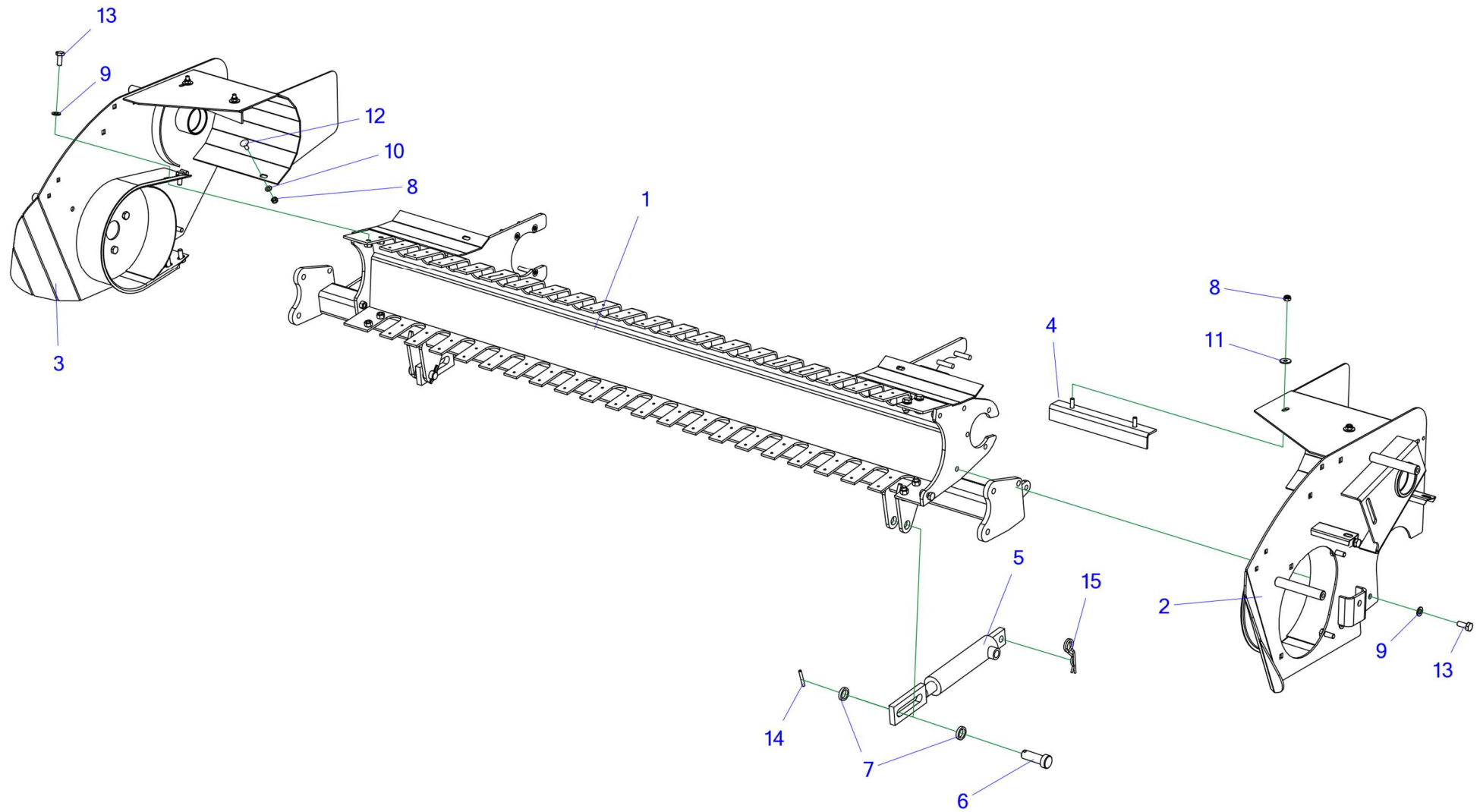


Table 16. Narrow pick-up – body

No.	Index	Name	Quantity
1	Z562 097.003.000.1	Pick-up frame assy.	1
2	Z562 097.002.000.1	Left wall assy.	1
3	Z562 097.001.000.1	Right wall assy.	1
4	Z562 097.010.000	Worm guard angle assy.	2
5	24SCN08-18-25/130	Cylinder 25/130	2
6	Z562 000.000.197	Pin II	2
7	Z562 000.000.022	Distance sleeve II	4
8	23NS8OC	Self-locking nut M8 galv., 82175 8 82175 8	6
9	23P10 82005	Round washer 10 galv., 82005 82005	16
10	23P8OOC	Round washer 8 galv., 82005 82005	2
11	23P8OC 82030	Round washer 8 galv., coated 82030	4
12	POD-ELZ-000423	Carriage bolt 8 x 20 galv., 8.8 82406	2
13	23S10/25OC 8.8	Bolt 10 x 25 galv., 8.8 82105 82105	16
14	23K6/45	Spring pin 6 x 45 DIN 1481	2
15	23ZSP4	Elastic double cotter pin 4 mm galv., (letter R chassis)	2

17. NARROW PICK-UP – LEFT SIDE

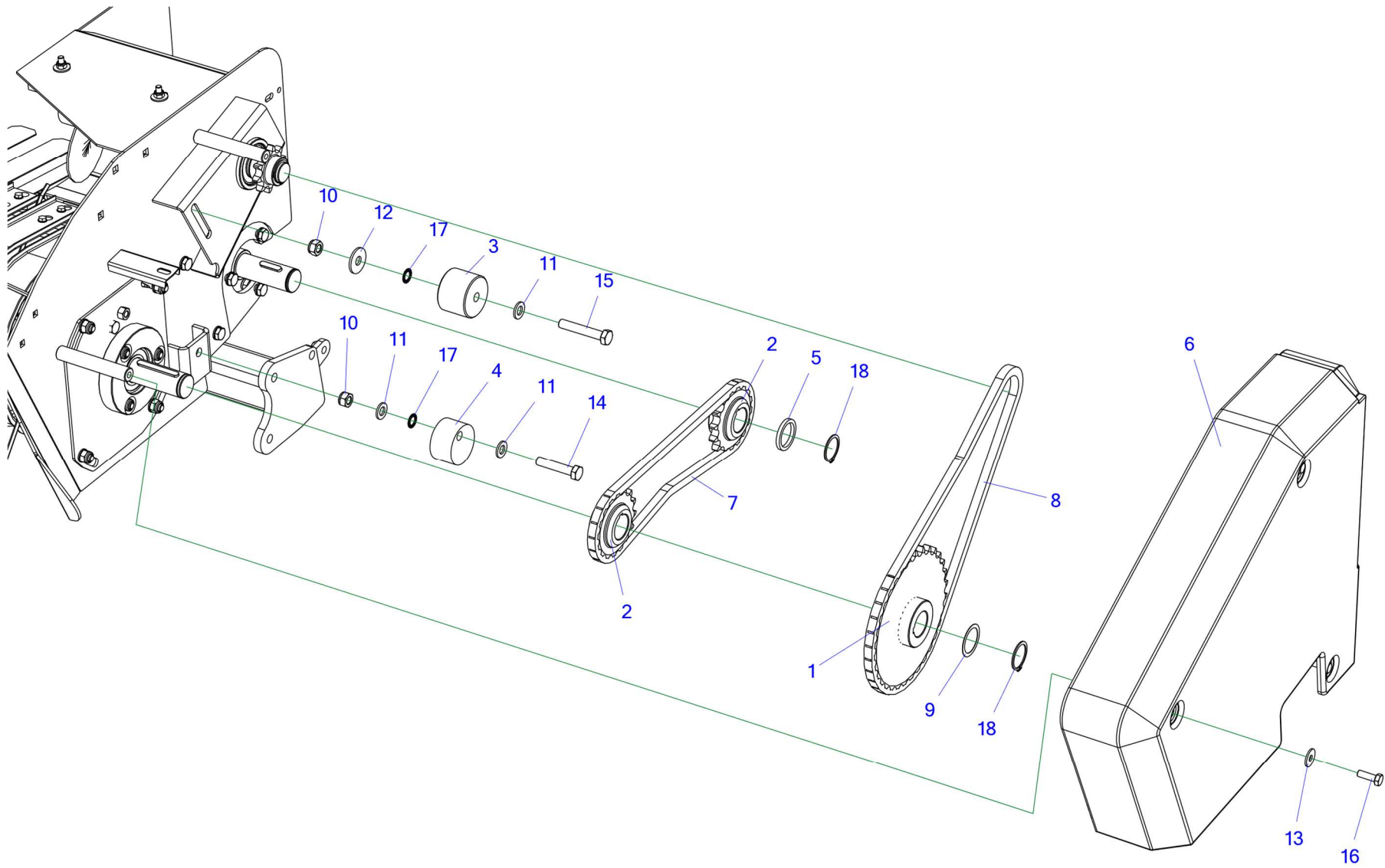


Table 17. Narrow pick-up – left side

No.	Index	Name	Quantity
1	Z562 096.008.000.1	Chain wheel 12B-1 Z32	1
2	Z562 096.000.017	Chain wheel 12B-1 Z16	2
3	Z562 000.000.207	Slide II	1
4	Z562 096.000.028	Chain tensioner	1
5	Z587 000.019.00	Ring	1
6	POD-TSZ-000208	Left guard	1
7	POD-LAN-000109	12B1 49 link incl. curved connector	1
8	POD-LAN-000109	12B1 58 link incl. straight connector	1
9	POD-ELZ-000877	Spacer PS 35 x 45 x 0.5	1
10	23NS12OC	Self-locking nut M12 galv., 82175 8 82175 8	2
11	23P12OC	Round washer 12 galv., 82005	3
12	23P12OOC	Round washer, 12 galv., coated 82030	1
13	23P8OC 82030	Round washer 8 galv., coated 82030	3
14	POD-ELZ-000429	Bolt, 12 x 60, galv., 8.8 82105	1
15	23S12/70OC 8.8	Bolt 12 x 70 galv., 8.8 82101 82101	1
16	23S8/25 8.8	Bolt 8 x 25 black, 8.8 82105 82105	3
17	23PW12,3OC	Spring washer w/z M12 galv., DIN6798DD	2
18	23SZ35	Circlip Z35	2

18. NARROW PICK-UP – RIGHT SIDE

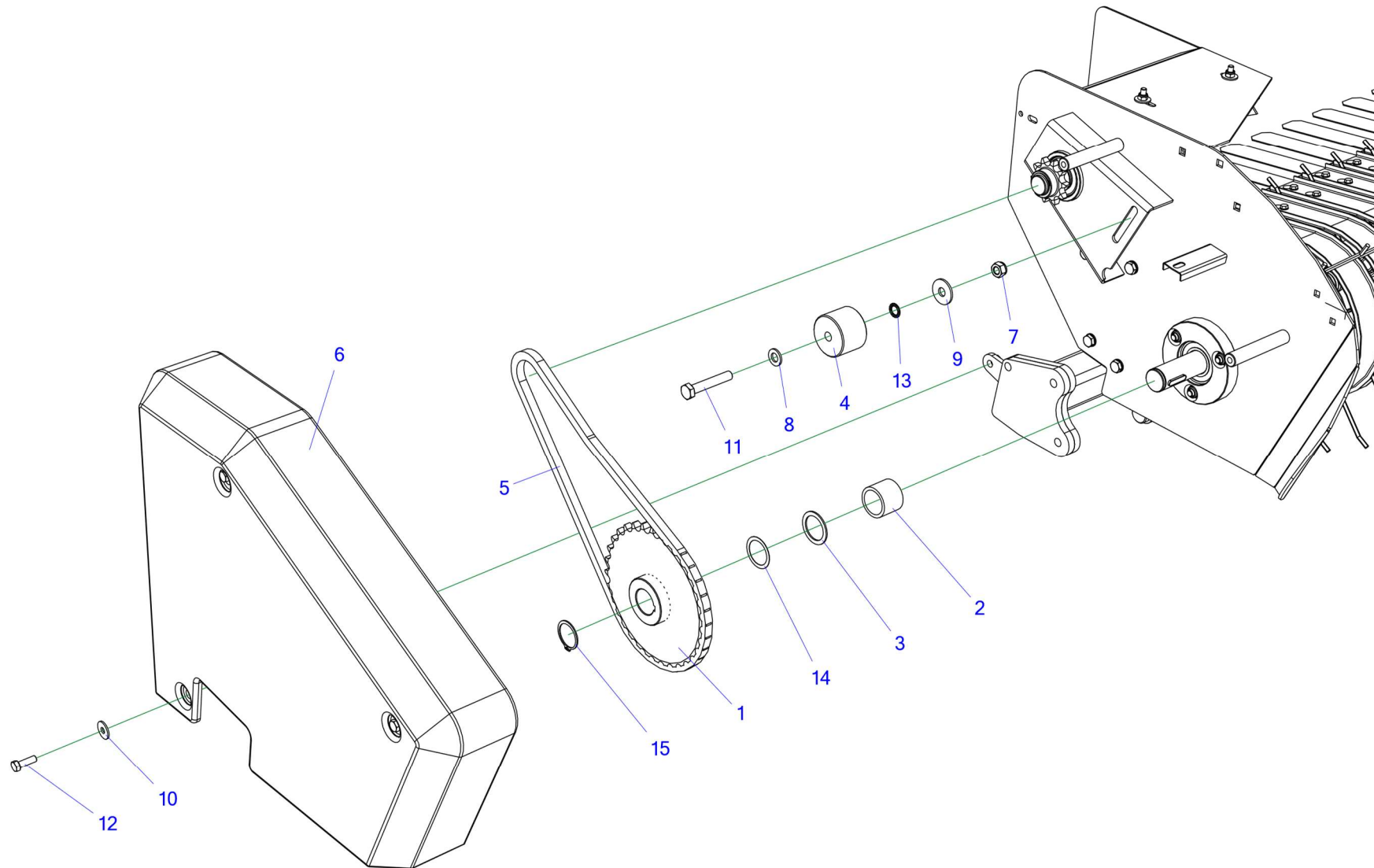


Table 18. Narrow pick-up – right side

No.	Index	Name	Quantity
1	Z562 096.008.000.1	Chain wheel 12B-1 Z32	1
2	Z562 096.000.014.1	Bushing I	1
3	Z587 000.010.00	Washer 35 x 47 x 2	1
4	Z562 000.000.207	Slide II	1
5	POD-LAN-000109	12B1 58 link incl. straight connector	1
6	POD-TSZ-000209	Right guard	1
7	23NS12OC	Self-locking nut M12 galv., 82175 8 82175 8	1
8	23P12OC	Round washer 12 galv., 82005	1
9	23P12OOC	Round washer, 12 galv., coated 82030	1
10	23P8OC 82030	Round washer 8 galv., coated 82030	3
11	23S12/70OC 8.8	Bolt 12 x 70 galv., 8.8 82101 82101	1
12	23S8/25 8.8	Bolt 8 x 25 black, 8.8 82105 82105	3
13	23PW12,3OC	Spring washer w/z M12 galv., DIN6798DD	1
14	POD-ELZ-000877	Spacer PS 35 x 45 x 0.5	1
15	23SZ35	Circlip Z35	1

19. NARROW PICK-UP – AUGER FEEDERS

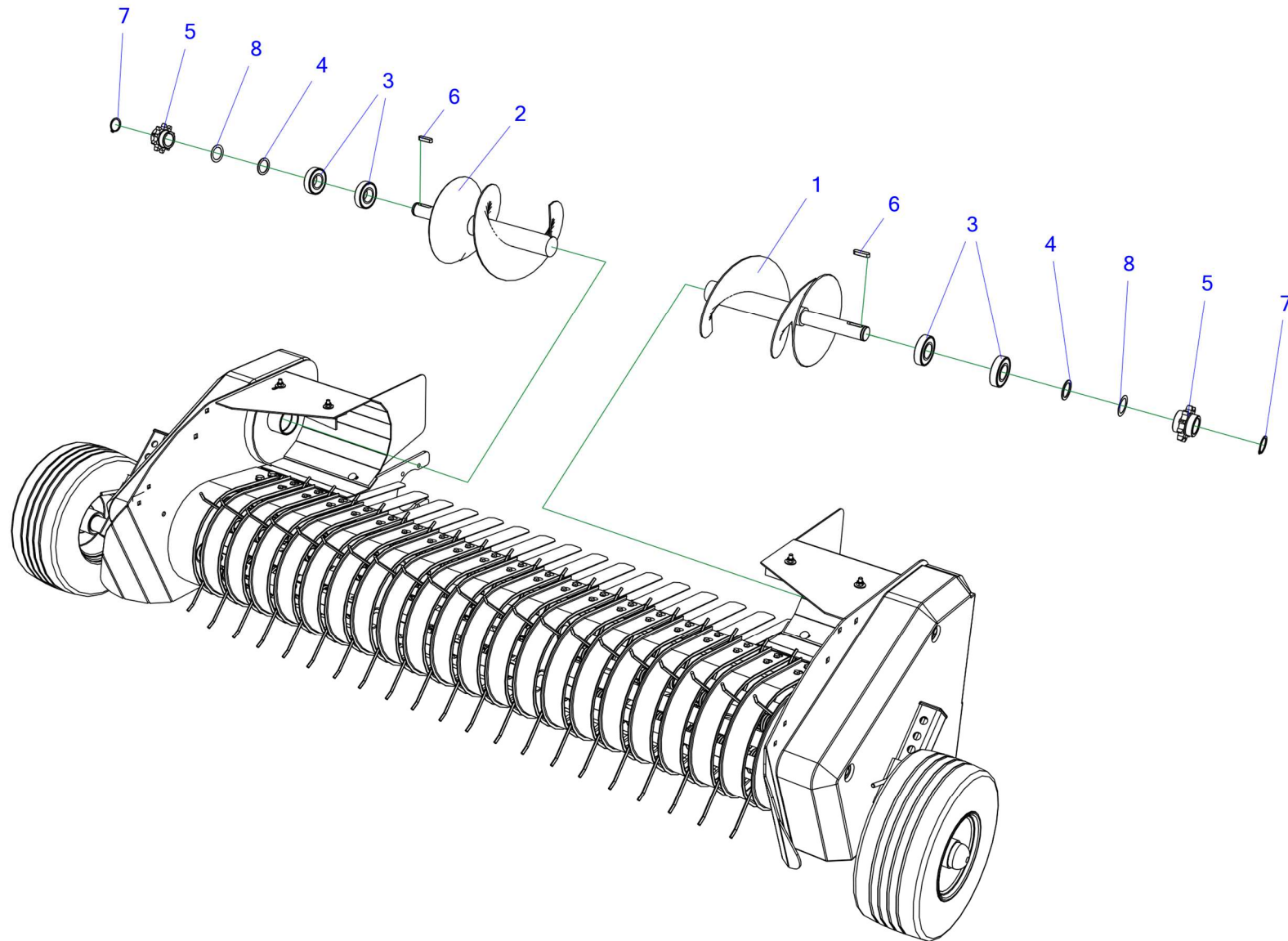


Table 19. Narrow pick-up – auger feeders

No.	Index	Name	Quantity
1	Z562 097.021.000	Left auger assy.	1
2	Z562 097.020.000	Right auger assy.	1
3	POD-LOZ-000169	Bearing 6206 2RS (Fe)	4
4	Z587 000.016.00	Washer 30.3 x 40 x 2	2
5	Z562 096.007.002	Chain wheel 12B-1 Z10	2
6	23WP8/7/36	Key 8 x 7 x 36	2
7	23SZ30	Circlip, Z30	2
8	POD-ELZ-000917	Spacer PS 30 x 42 x 0.5	2

20. NARROW PICK-UP – AXLE SPRING

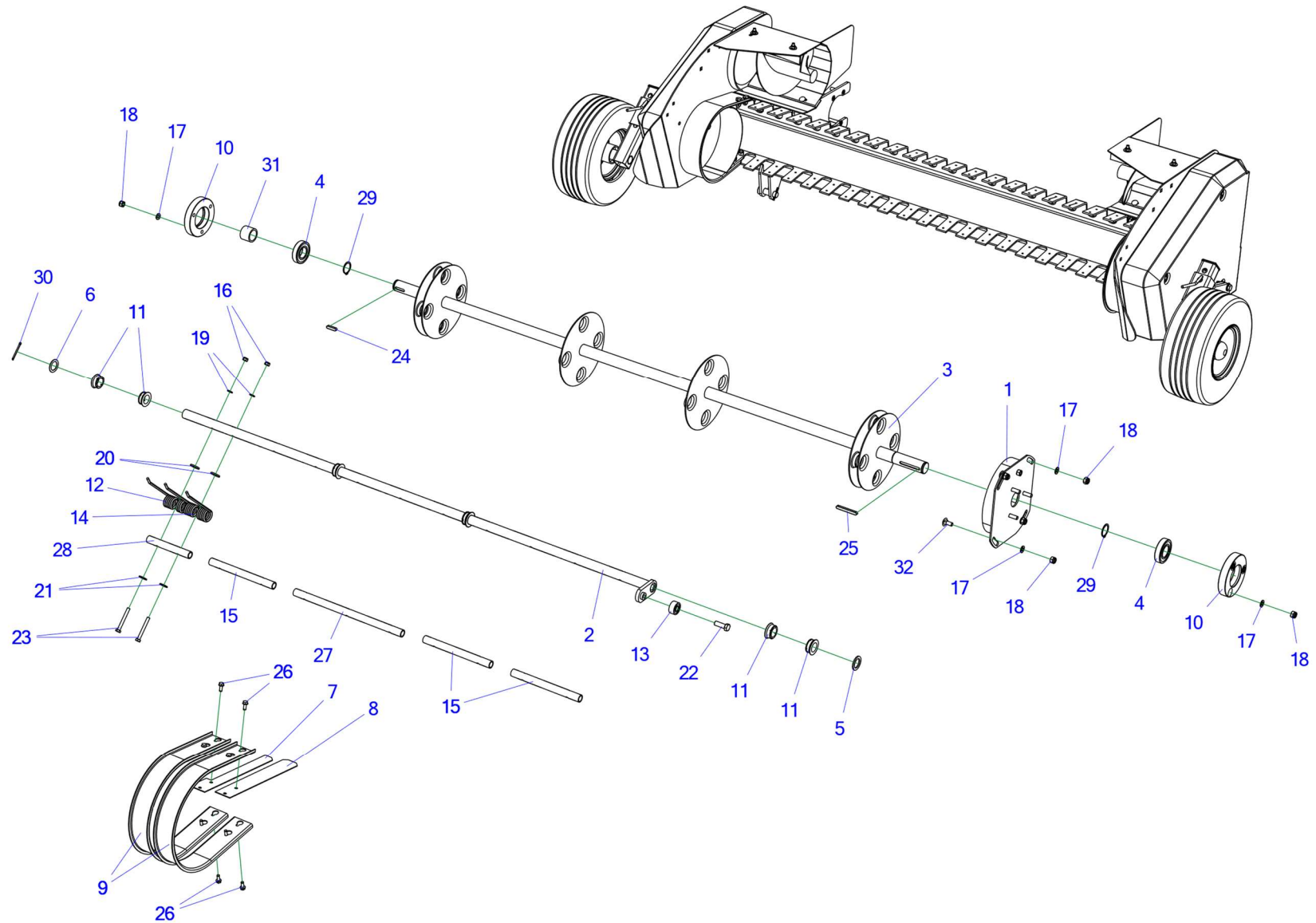


Table 20. Narrow pick-up – axle spring

No.	Index	Name	Quantity
1	Z562 097.008.000	Track assy.	1
2	Z562 097.005.000.1	Spring axle	4
3	Z562 097.004.000	Main shaft assy.	1
4	POD-LOZ-000171	Bearing 6207 2RS (Fe) cat. B	2
5	Z562 097.000.019	Spacer II	4
6	Z562 097.000.018	Spacer I	4
7	Z562 097.000.017	Steel plate II	2
8	Z562 097.000.016	Steel plate I	14
9	Z562 097.000.015	Guard	20
10	Z562 097.000.009	Bearing box	2
11	Z562 097.000.006	Tecamid sleeve	24
12	POD-SPR-000086 extreme	Maz-7492 pick-up spring	4
13	POD-LOZ-000227	Track roller 305701 C-2Z	4
14	POD-SPR-000086	Torsion spring 6/36.7/178/10 galv.	40
15	Z562 096.000.012	Tube I	12
16	23NS8OC	Self-locking nut M8 galv., 82175 8 82175 8	44
17	23P10 82005	Round washer 10 galv., 82005 82005	10
18	23NS10OC	Self-locking nut M10 galv., 82175 8 82175 8	10
19	23P8OOC	Round washer 8 galv., 82005 82005	44
20	23P8 82019OC	Round washer 8 galv., coated 82019	44
21	23P8OC 82030	Round washer 8 galv., coated 82030	44
22	23S12/35OC 8.8	Bolt 12 x 35 galv., 8.8 82105 82105	4

No.	Index	Name	Quantity
23	23S8/70OC	Bolt 8 x 70 galv., 8.8 82101 82101	44
24	23WP8/7/36	Key 8 x 7 x 36	1
25	23WP8/7/70	Key 8 x 7 x 70	1
26	POD-ELZ-000513	Self-forming screw 6 x 16 galv., DIN 7500D-six	80
27	Z562 097.000.024	Tube I	4
28	Z562 097.000.025	Tube II	4
29	23SZ35	Circlip Z35	2
30	23Z4/50	Cotter pin 4 x 50 galv.	4
31	Z562 096.000.014.1	Bushing I	1
32	POD-ELZ-000432	Carriage bolt 10 x 25 galv., 8.8 82406	2

21. NARROW PICK-UP – DRIVE AXLE AND COUPLING

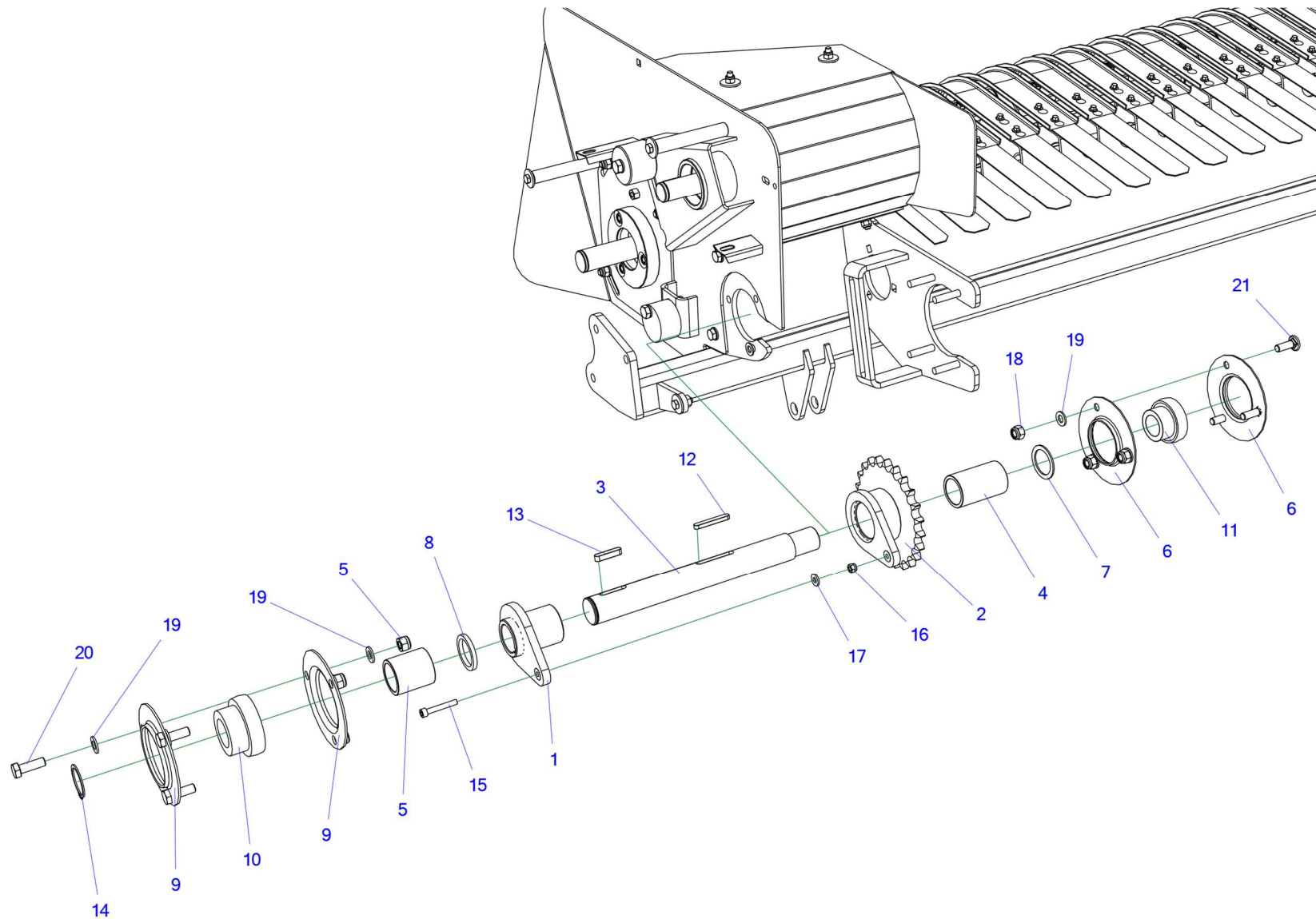


Table 21. Narrow pick-up – drive axle and coupling

No.	Index	Name	Quantity
1	Z562 096.022.000	Coupling II	1
2	Z562 096.021.000	Coupling I	1
3	Z562 097.000.020.1	Drive shaft	1
4	Z562 097.000.022	Spacer bushing L=72	1
5	Z562 097.000.021	Spacer bushing L=48.5	1
6	Z562 096.000.041	Sheet metal enclosure P206	2
7	Z587 000.010.00	Washer 35 x 47 x 2	1
8	Z587 000.019.00	Ring	1
9	25OP207	Metal housing P-207	2
10	25L207	Bearing FD207	1
11	25L206	Bearing FD206	1
12	23WP8-7-50	Key 8 x 7 x 50	1
13	23WP8-7-36	Key 8 x 7 x 36	1
14	23SZ35	Circlip z35	1
15	23SI6-40 10.9	Allen bolt 6 x 40 black, 10.9 82302 10.9	1
16	23NS6OC	Self-locking nut M6 galv., 82175 8	1
17	23P6OOC	Round washer, 6 galv., 82005	1
18	23NS10OC	Self-locking nut, M8 galv., 82175 8	6
19	23P10 82005	Round washer, 10 galv., 82005	9
20	23S10-30OC 8.8	Bolt 10 x 30 galv., 82105 82105	3
21	23S10-30P	Carriage bolt 10 x 30 galv., 82406	3

22. WIDE PICK-UP – BODY

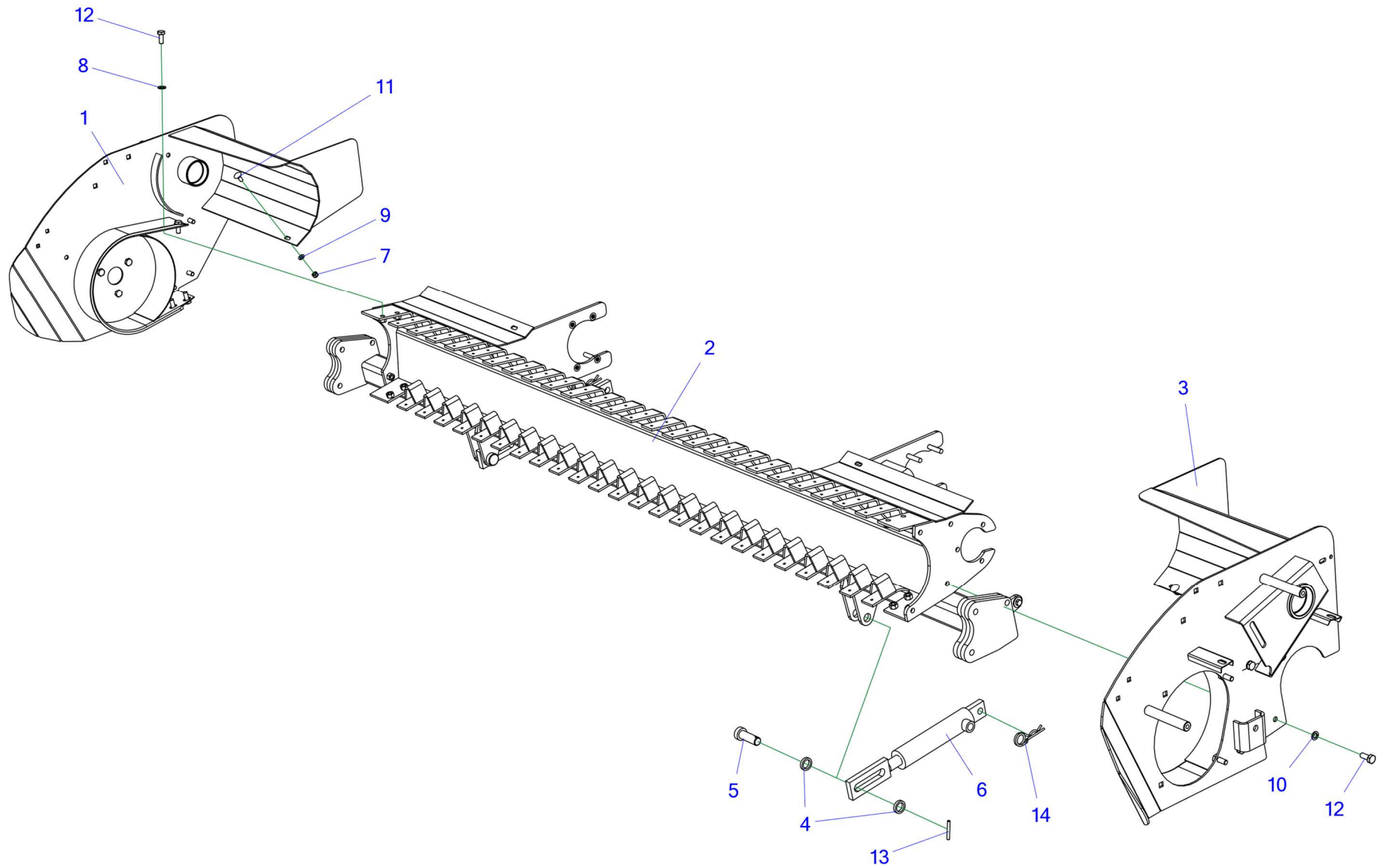


Table 22. Wide pick-up – body

No.	Index	Name	Quantity
1	Z562 098.001.000	Right wall assy.	1
2	Z562 098.003.00	Pick-up frame assy.	2
3	Z562 098.002.000	Left wall assy.	1
4	Z562 000.000.022	Distance sleeve II	4
5	Z562 000.000.197	Pin II	2
6	24SCN08-18-25-130	Cylinder 25/130	2
7	23NS8OC	Self-locking nut M8 galv., 82175 8 82175 8	2
8	23P10 82005	Round washer 10 galv., 82005 82005	8
9	23P8OOC	Round washer 8 galv., 82005 82005	2
10	23P10SP	Spring washer 10.2 galv., 82008 82008	8
11	POD-ELZ-000423	Carriage bolt 8 x 20 galv., 8.8 82406	2
12	23S10/25OC 8.8	Bolt 10 x 25 galv., 8.8 82105 82105	16
13	23K6/45	Spring pin 6 x 45 DIN 1481	2
14	23ZSP4	Elastic double cotter pin 4 mm galv., (letter R chassis)	2

23. WIDE PICK-UP – LEFT SIDE

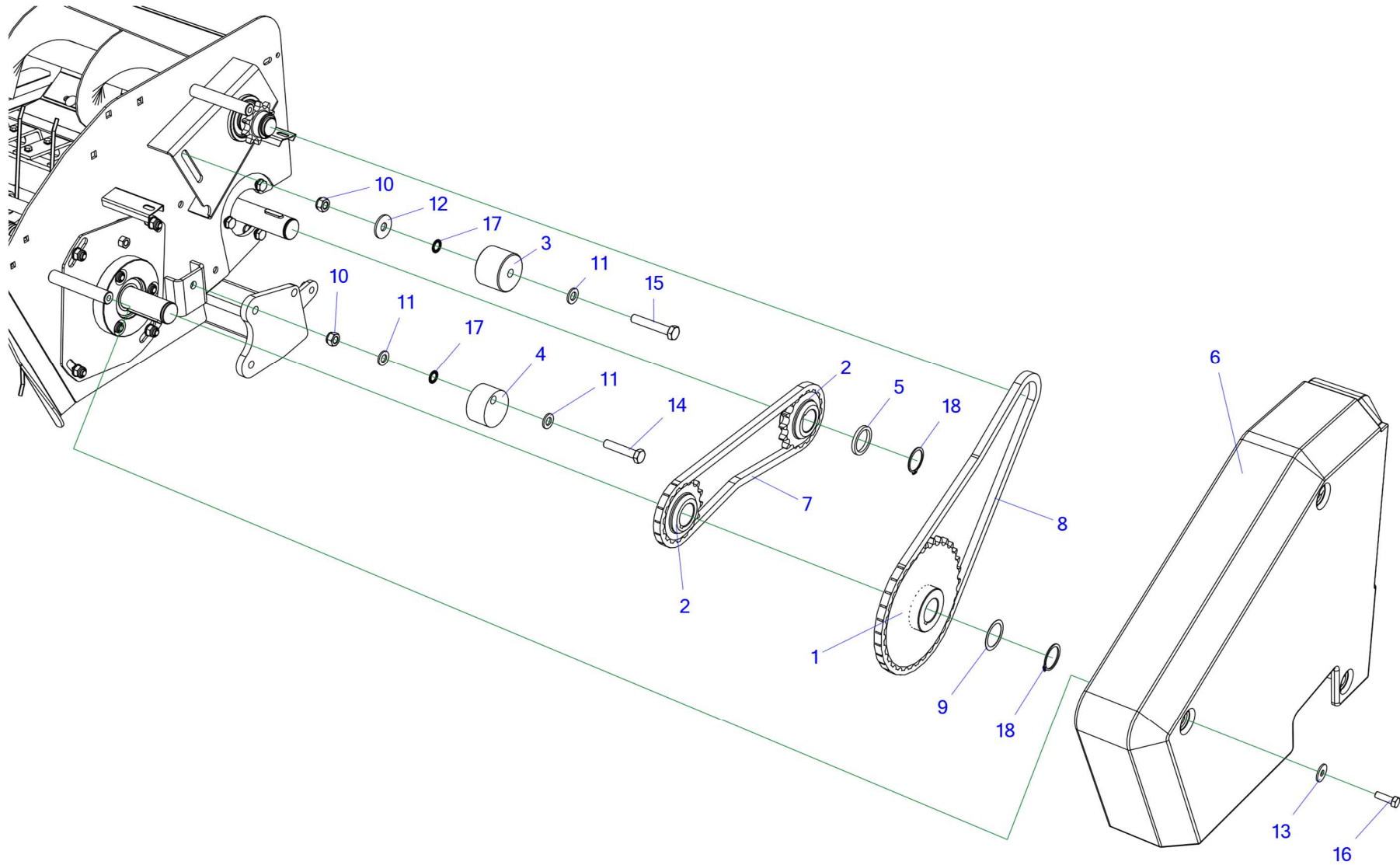


Table 23. Wide pick-up – left side

No.	Index	Name	Quantity
1	Z562 096.008.000.1	Chain wheel 12B-1 Z32	1
2	Z562 096.000.017	Chain wheel 12B-1 Z16	2
3	Z562 000.000.207	Slide II	1
4	Z562 096.000.028	Chain tensioner	1
5	Z587 000.019.00	Ring	1
6	POD-TSZ-000208	Left guard	1
7	POD-LAN-000109	12B1 49 link incl. curved connector	1
8	POD-LAN-000109	12B1 58 link incl. straight connector	1
9	POD-ELZ-000877	Spacer PS 35 x 45 x 0.5	1
10	23NS12OC	Self-locking nut M12 galv., 82175 8 82175 8	2
11	23P12OC	Round washer 12 galv., 82005	3
12	23P12OOC	Round washer, round 12 galv., coat. 82030	1
13	23P8OC 82030	Round washer 8 galv., coated 82030	3
14	POD-ELZ-000429	Bolt, 12 x 60, galv., 8.8 82105	1
15	23S12/70OC 8.8	Bolt 12 x 70 galv., 8.8 82101 82101	1
16	23S8/25 8.8	Bolt 8 x 25 black, 8.8 82105 82105	3
17	23PW12,3OC	Spring washer w/z M12 galv., DIN6798DD	2
18	23SZ35	Circlip Z35	2

24. WIDE PICK-UP – RIGHT SIDE

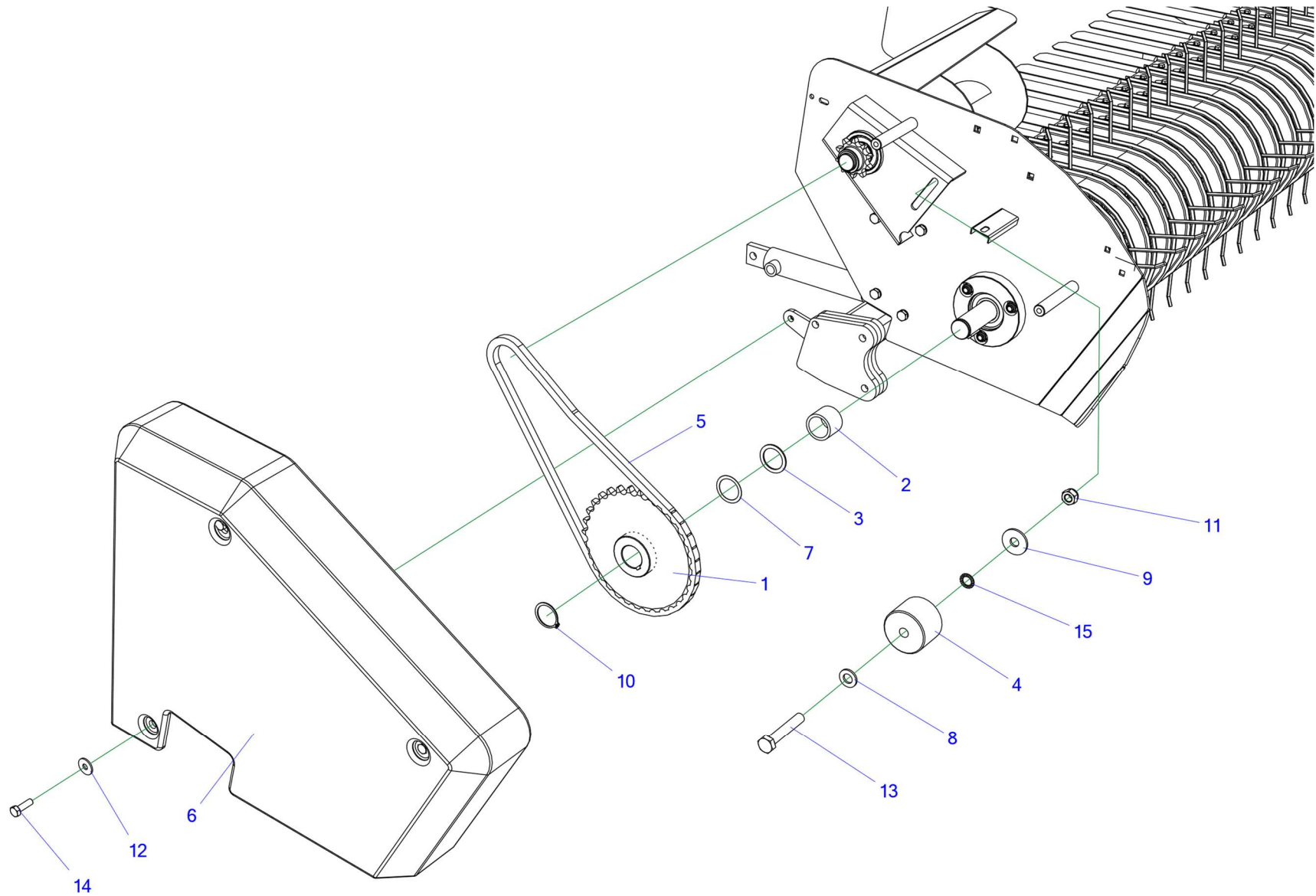


Table 24. Wide pick-up – right side

No.	Index	Name	Quantity
1	Z562 096.008.000.1	Chain wheel 12B-1 Z32	1
2	Z562 096.000.014.1	Bushing I	1
3	Z587 000.010.00	Washer 35 x 47 x 2	1
4	Z562 000.000.207	Slide II	1
5	POD-LAN-000109	12B1 58 link incl. straight connector	1
6	POD-TSZ-000209	Right guard	1
7	POD-ELZ-000877	Spacer PS 35 x 45 x 0.5	1
8	23P12OC	Round washer 12 galv., 82005	1
9	23P12OOC	Round washer, 12 galv., coated 82030	1
10	23SZ35	Circlip Z35	1
11	23NS12OC	Self-locking nut M12 galv., 82175 8 82175 8	1
12	23P8OC 82030	Round washer 8 galv., coated 82030	3
13	23S12/70OC 8.8	Bolt 12 x 70 galv., 8.8 82101 82101	1
14	23S8/25 8.8	Bolt 8 x 25 black, 8.8 82105 82105	3
15	23PW12,3OC	Spring washer w/z M12 galv., DIN6798DD	1

25. WIDE PICK-UP – AUGER FEEDERS

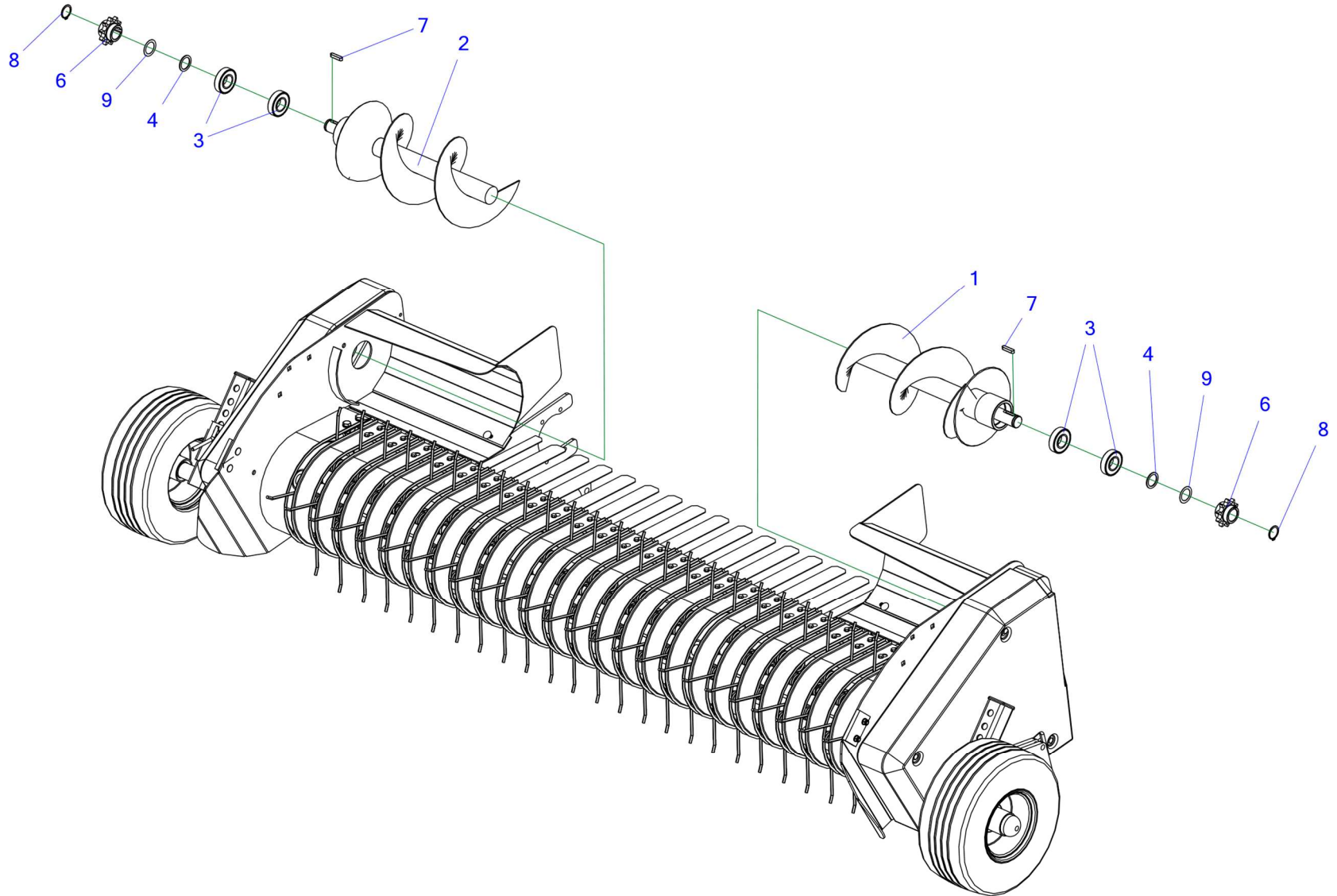


Table 25. Wide pick-up – auger feeders

No.	Index	Name	Quantity
1	Z562 098.021.000	Left auger assy.	1
2	Z562 098.020.000	Right auger assy.	1
3	POD-LOZ-000169	Bearing 6206 2RS (Fe)	4
4	Z587 000.016.00	Washer 30.3 x 40 x 2	2
5	Z562 097.001.004	Auger setting sleeve	2
6	Z562 096.007.002	Chain wheel 12B-1 Z10	2
7	23WP8/7/36	Key 8 x 7 x 36	2
8	23SZ30	Circlip, Z30	2
9	POD-ELZ-000917	Spacer PS 30 x 42 x 0.5	2

26. WIDE PICK-UP – AXLE SPRING

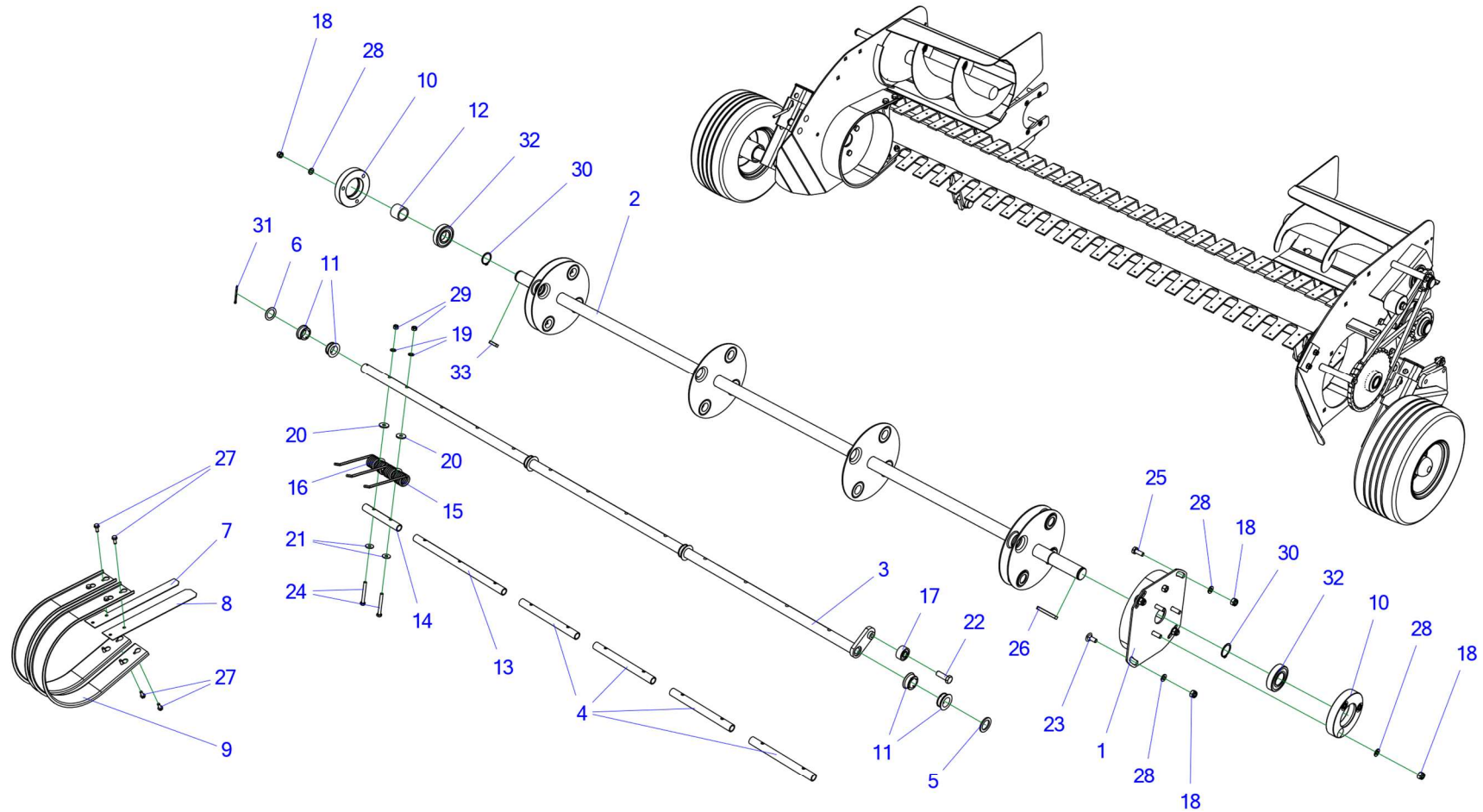


Table 26. Wide pick-up – axle spring

No.	Index	Name	Quantity
1	Z562 097.008.000	Track assy.	1
2	Z562 098.004.000	Main shaft assy.	1
3	Z562 098.005.000	Spring axle	4
4	Z562 096.000.012	Tube I	16
5	Z562 097.000.019	Spacer II	4
6	Z562 097.000.018	Spacer I	4
7	Z562 097.000.017	Steel plate II	2
8	Z562 097.000.016	Steel plate I	14
9	Z562 097.000.015	Guard	24
10	Z562 097.000.009	Bearing box	2
11	Z562 097.000.006	Tecamid sleeve	24
12	Z562 096.000.014.1	Bushing I	1
13	Z562 097.000.024	Tube I	4
14	Z562 097.000.025	Tube II	4
15	POD-SPR-000086	Torsion spring 6/36.7/178/10 galv.	48
16	POD-SPR-000086 extreme	Maz-7492 pick-up spring	4
17	POD-LOZ-000227	Track roller 305701 C-2Z	4
18	23NS10OC	Self-locking nut M10 galv., 82175 8 82175 8	10
19	23P8OOC	Round washer 8 galv., 82005 82005	52
20	23P8 82019OC	Round washer 8 galv., coated 82019	52
21	23P8OC 82030	Round washer 8 galv., coated 82030	52
22	23S12/35OC 8.8	Bolt 12 x 35 galv., 8.8 82105 82105	4

No.	Index	Name	Quantity
23	POD-ELZ-000432	Carriage bolt 10 x 25 galv., 8.8 82406	2
24	23S8/70OC	Bolt 8 x 70 galv., 8.8 82101 82101	52
25	23S10/25OC 8.8	Bolt 10 x 25 galv., 8.8 82105 82105	2
26	23WP8/7/70	Key 8 x 7 x 70	1
27	POD-ELZ-000513	Self-forming screw 6 x 16 galv., DIN 7500D-six	96
28	23P10 82005	Round washer 10 galv., 82005 82005	10
29	23NS8OC	Self-locking nut M8 galv., 82175 8 82175 8	52
30	23SZ35	Circlip Z35	2
31	23Z4/50	Cotter pin 4 x 50 galv.	4
32	POD-LOZ-000171	Bearing 6207 2RS (Fe) cat. B	2
33	23WP8/7/36	Key 8 x 7 x 36	1

27. WIDE PICK-UP – DRIVE AXLE AND COUPLING

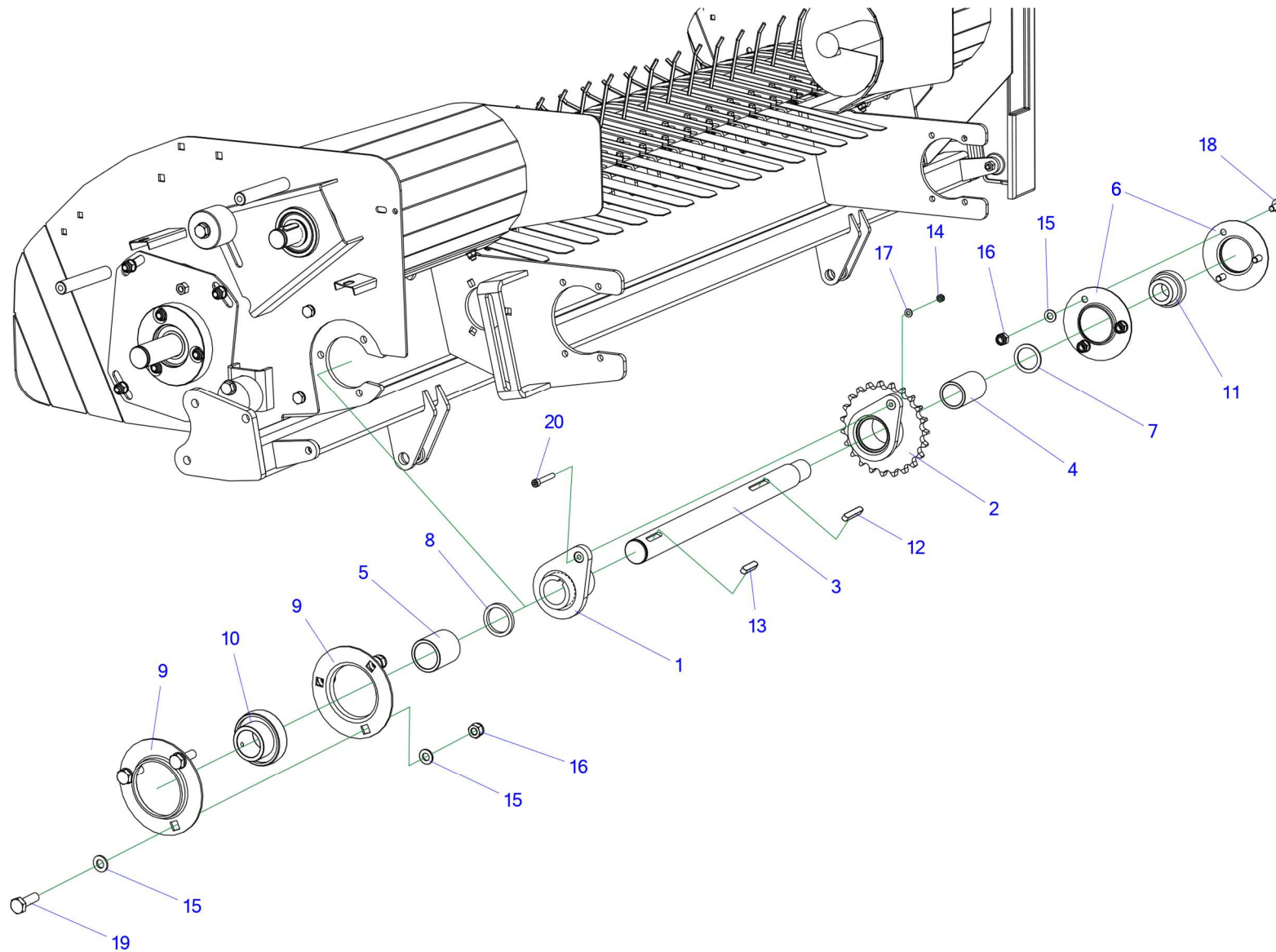


Table 27. Wide pick-up – drive axle and coupling

No.	Index	Name	Quantity
1	Z562 096.022.000	Coupling II	1
2	Z562 096.021.000	Coupling I	1
3	Z562 098.000.020	Drive shaft	1
4	Z562 097.000.022	Spacer bushing L=72	1
5	Z562 097.000.021	Spacer bushing L=48.5	1
6	Z562 096.000.041	Sheet metal enclosure P206	2
7	Z587 000.010.00	Washer 35 x 47 x 2	1
8	Z587 000.019.00	Ring	1
9	25OP207	Metal housing P-207	2
10	25L207	Bearing FD207	1
11	25L206	Bearing FD206	1
12	23WP8/7/50	Key 8 x 7 x 50	1
13	23WP8/7/36	Key 8 x 7 x 36	1
14	23NS6OC	Self-locking nut M6 galv., 82175 8 82175 8	1
15	23P10 82005	Round washer 10 galv., 82005 82005	9
16	23NS10OC	Self-locking nut M10 galv., 82175 8 82175 8	6
17	23P6OOC	Round washer 6 galv., 82005 82005	1
18	23S10/30P	Carriage bolt 10 x 30 galv., 8.8 82406 82406	3
19	23S10/30OC 8.8	Bolt 10 x 30 galv., 8.8 82105 82105	3
20	23S16/40 10.9	Allen bolt 6 x 40 black, 10.9 82302 82302 10.9	1

28. PICK-UP – LEFT WHEEL

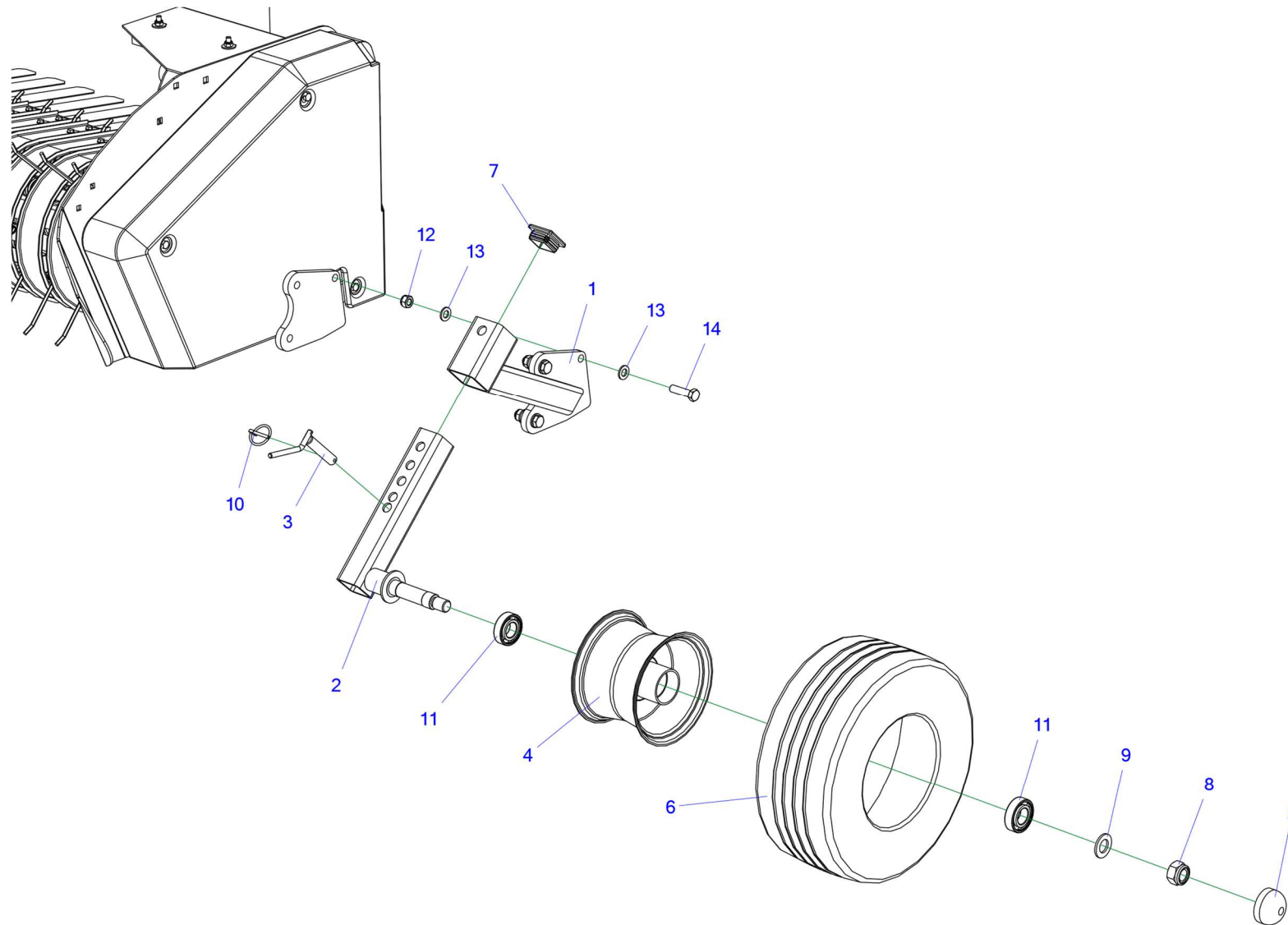


Table 28. Pick-up – left wheel

No.	Index	Name	Quantity
1	Z562 097.022.100.1	Support for left jockey wheel	1
2	Z562 097.022.200.1	Pick-up wheel support	1
3	Z562 096.016.400	Pin – cotter pin	1
4	POD-KOJ-000075	Jockey wheel rim	1
5	POD-KOJ-000075 cap	Cap	1
6	POD-KOJ-000076	Jockey wheel tyre	1
7	POD-TSZ-000137	Cap 50 x 50 No. 199274	1
8	23NS20OC 82175	Self-locking nut M20 galv., 82175 8 82175 8	1
9	23P20OOC	Round washer 20 galv., 82005 82005	1
10	POD-ELZ-000444	Cotter pin with a ring 4.5 mm	1
11	25L6205	Bearing 6205 2RS	2
12	23NS12OC	Self-locking nut M12 galv., 82175 8 82175 8	3
13	23P12OC	Round washer 12 galv., 82005	6
14	23S12/45 8.8OC.	Bolt 12 x 45 galv., 8.8 82101 82101	3

29. PICK-UP – RIGHT WHEEL

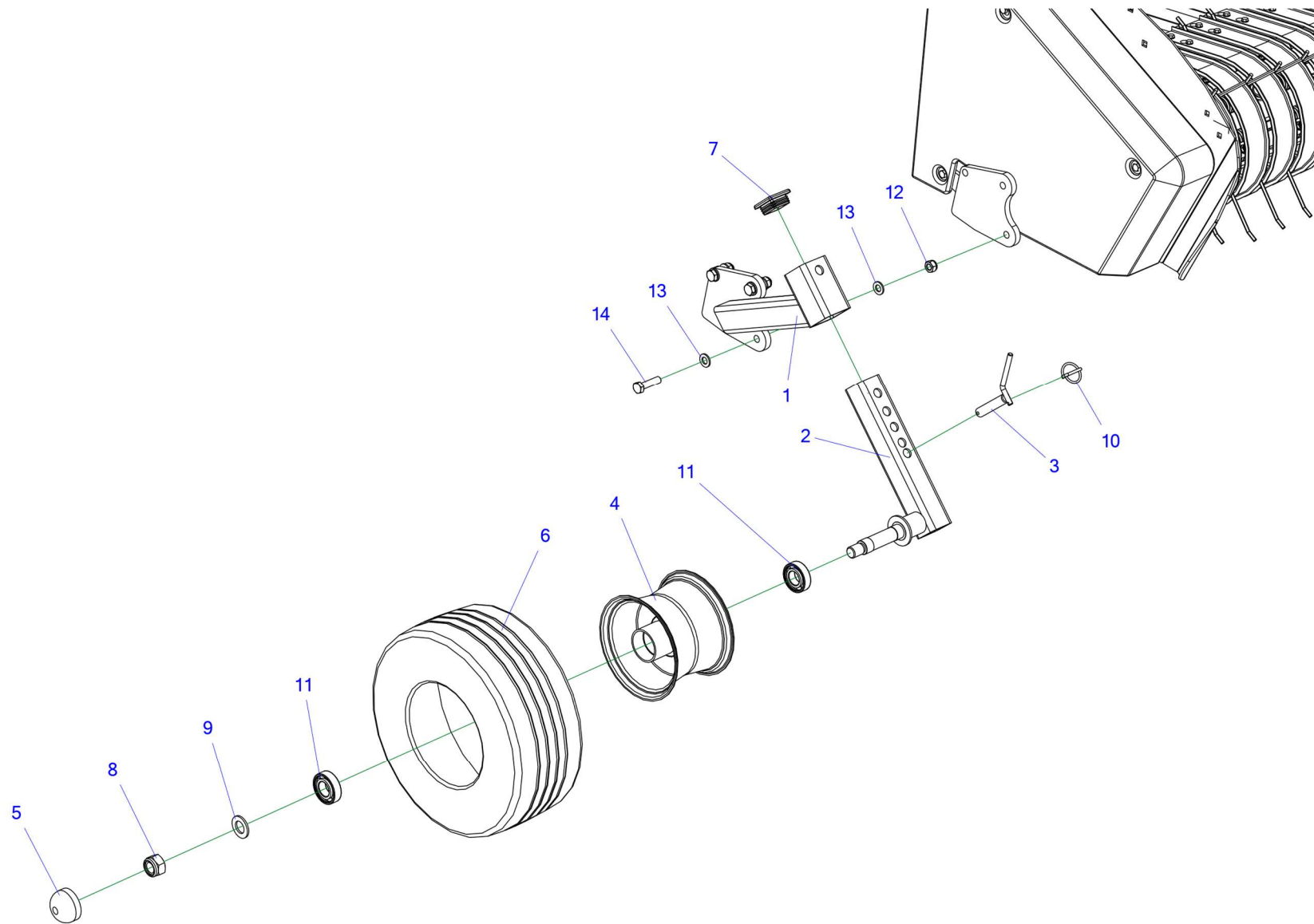


Table 29. Pick-up – right wheel

No.	Index	Name	Quantity
1	Z562 097.023.100.1	Support for right jockey wheel	1
2	Z562 097.022.200.1	Pick-up wheel support	1
3	Z562 096.016.400	Pin – cotter pin	1
4	POD-KOJ-000075	Jockey wheel rim	1
5	POD-KOJ-000075 cap	Cap	1
6	POD-KOJ-000076	Jockey wheel tyre	1
7	POD-TSZ-000137	Cap 50 x 50 No. 199274	1
8	23NS20OC 82175	Self-locking nut M20 galv., 82175 8 82175 8	1
9	23P20OOC	Round washer 20 galv., 82005 82005	1
10	POD-ELZ-000444	Cotter pin with a ring 4.5 mm	1
11	25L6205	Bearing 6205 2RS	2
12	23NS12OC	Self-locking nut M12 galv., 82175 8 82175 8	3
13	23P12OC	Round washer 12 galv., 82005	6
14	23S12/45 8.8OC.	Bolt 12 x 45 galv., 8.8 82101 82101	3

30. NARROW WINDROW CLAMP

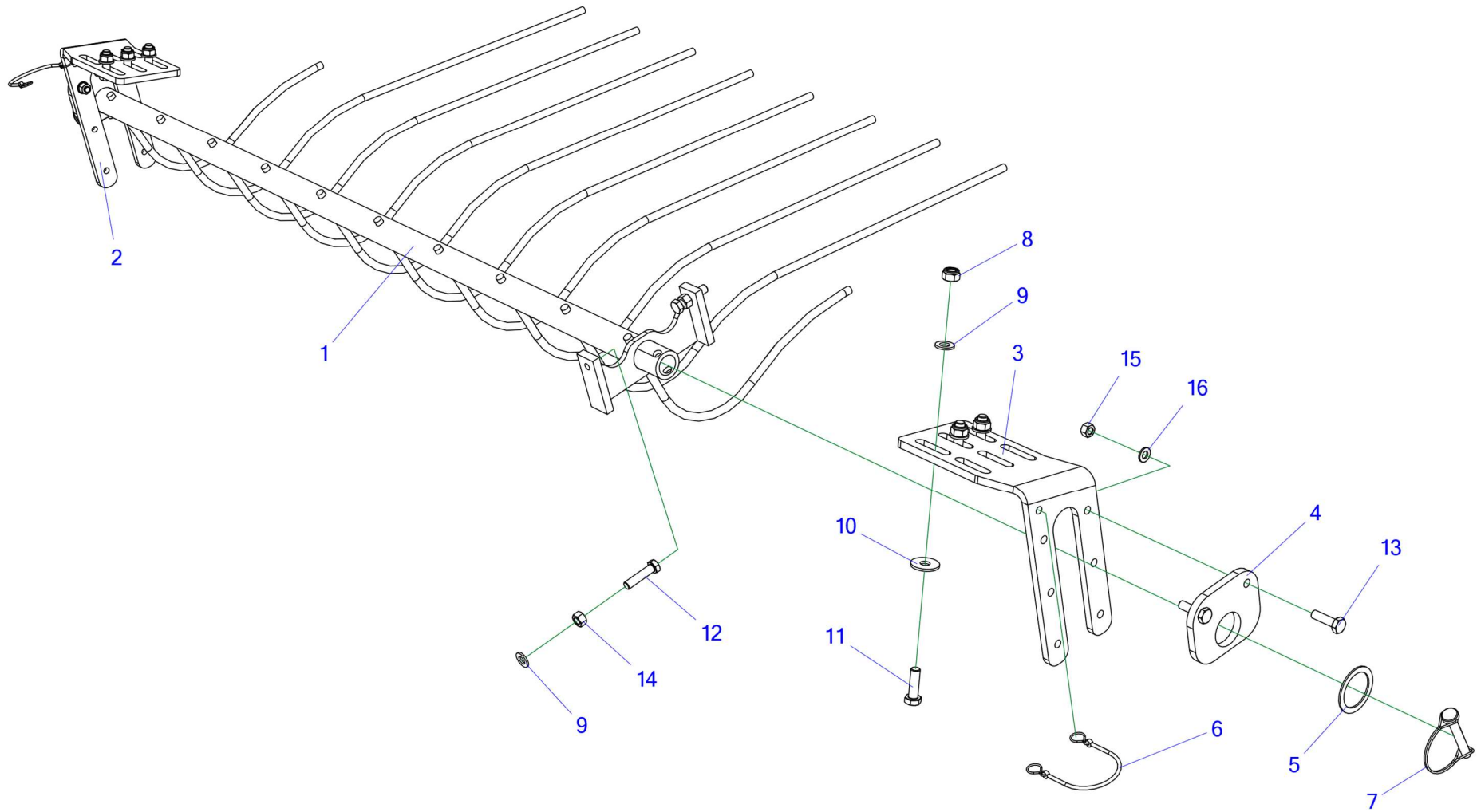


Table 30. Narrow windrow clamp

No.	Index	Name	Quantity
1	Z587 120.210.01	Welded clamp	1
2	Z587 120.010.02	Clamping bracket R	1
3	Z587 120.015.00	Clamping bracket L	1
4	Z587 120.016.00	Adjustment plate	2
5	Z562 000.176.004	Washer 44.5 x 58	2
6	POD-OGL-001223	Rubber cable for pins with hooks 240 mm 00250	2
7	POD-ELZ-000543	Tubular pin 10 x 60 A-9.8 C-70	2
8	23NS12OC	Self-locking nut M12 galv., 82175 8 82175 8	6
9	23P12OC	Round washer 12 galv., 82005	7
10	23P12OOC	Round washer, 12 galv., coated 82030	6
11	23S12/40OC	Bolt 12 x 4 0 galv., 8.8 82101 82101	6
12	23S12/50OC	Bolt 12 x 50 galv., 8.8 82105 82105	2
13	23S10/35	Bolt 10 x 35 black 8.8 82105 82105	4
14	POD-ELZ-000442	Nut, M12 x 1.5, galv., 82144	2
15	23N10	Nut M10 black 82144 5 82144 5	4
16	POD-ELZ-000951	Washer round 10 galv., reinforced HV200 82005 DIN125 10.5 x 20	4

31. WIDE WINDROW CLAMP

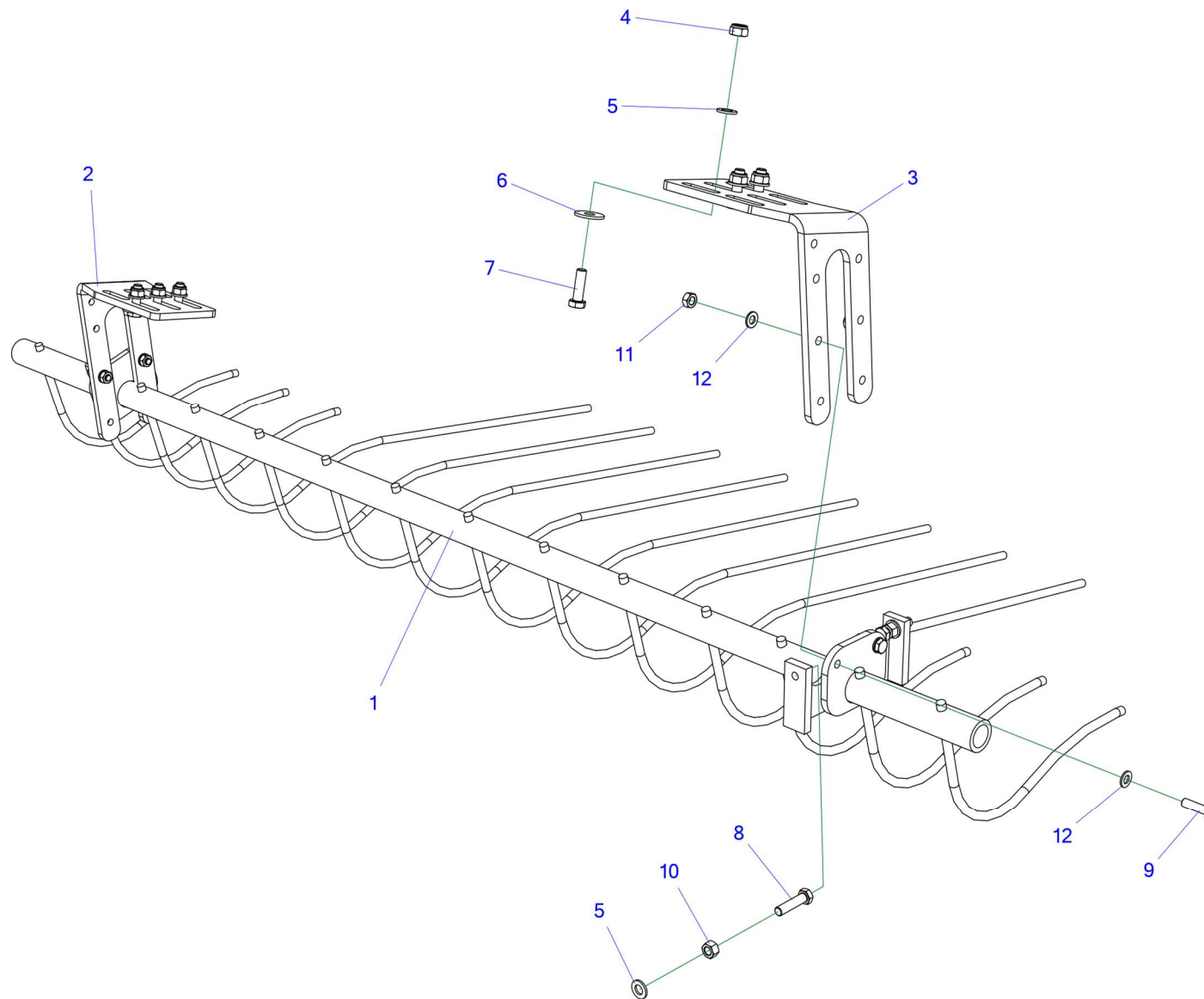


Table 31. Wide roller presser

No.	Index	Name	Quantity
1	Z587 170.310.00	Welded clamp	1
2	Z587 120.010.02	Clamping bracket R	1
3	Z587 120.015.00	Clamping bracket L	1
4	23NS12OC	Self-locking nut M12 galv., 82175 8 82175 8	6
5	23P12OC	Round washer 12 galv., 82005	8
6	23P12OOC	Round washer, 12 galv., coated 82030	6
7	23S12/40OC	Bolt 12 x 40 galv., 8.8 82101 82101	6
8	23S12/50OC 8.8	Bolt 12 x 50 galv., 8.8 82101 82101	2
9	23S10/35OC 8.8	Bolt 10 x 35 galv., 8.8 82105 82105	4
10	POD-ELZ-000442	Nut, M12 x 1.5 galv., 82144	2
11	23N10OC	Nut M10 galv., 82144 5	4
12	POD-ELZ-000951	Washer round 10 galv., reinforced HV200 82005 DIN125 10.5x20	8

32. TWINE WRAPPER – TWINE CONTAINER

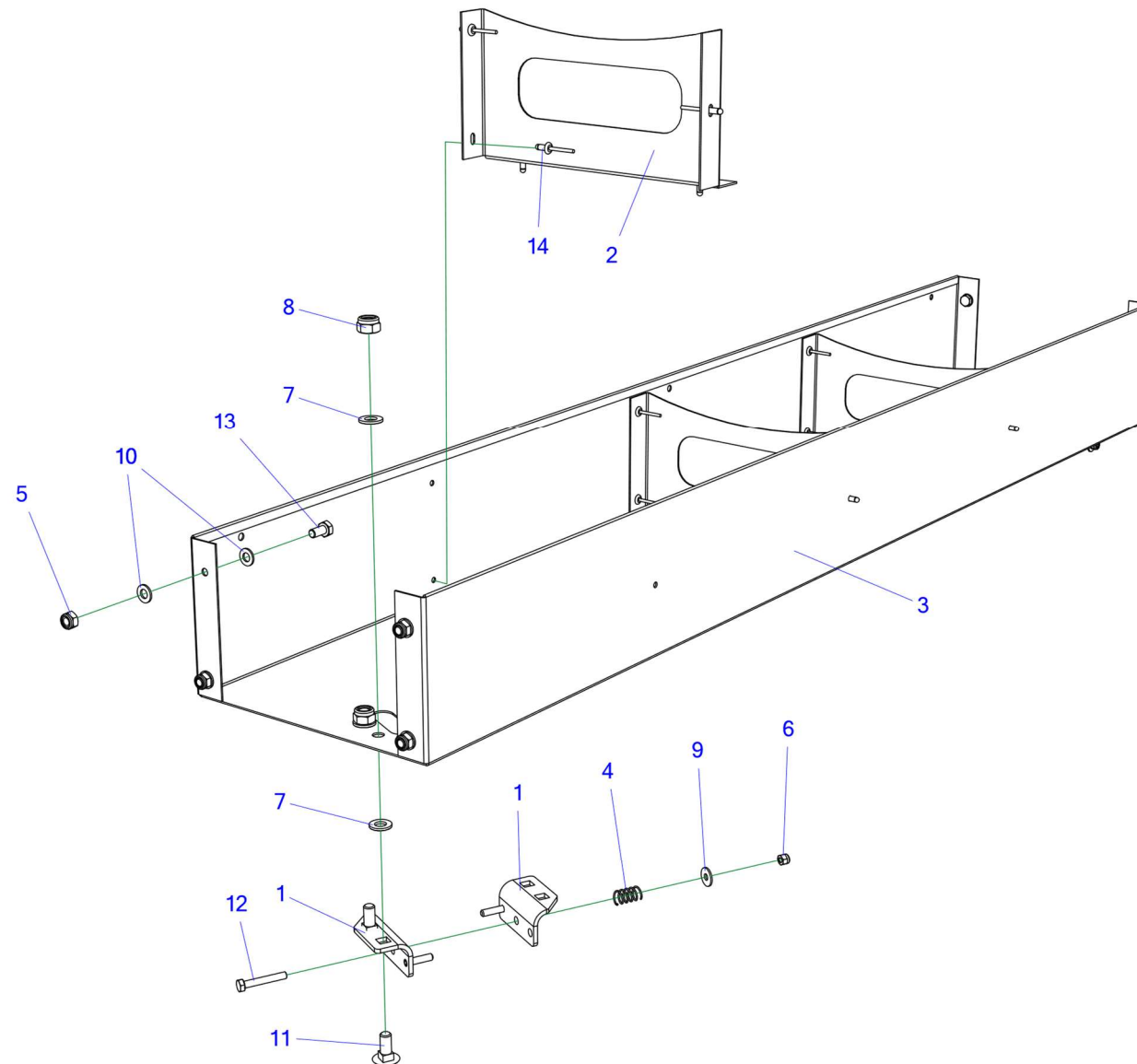


Table 32. Twine wrapper – twine container

No.	Index	Name	Quantity
1	Z562 042.001.000.1	Tensioner body	4
2	Z587 290.057.00	Partition	3
3	Z587 290.056.00	Plate I of the container	1
4	23SS1-15-25	Spring maz-1788	2
5	23NS8OC	Self-locking nut M8 galv., 82175 8 82175 8	8
6	23NS6OC	Self-locking nut M6 galv., 82175 8 82175 8	2
7	23P10 82005	Round washer 10 galv., 82005 82005	8
8	23NS10OC	Self-locking nut M10 galv., 82175 8 82175 8	4
9	23P6OC030	Round washer 6 galv., coated 82030	2
10	23P8OOC	Round washer 8 galv., 82005 82005	16
11	POD-ELZ-000432	Carriage bolt 10 x 25 galv., 8.8 82406	4
12	23S6/40OC.	Bolt 6 x 40 galv., 8.8 82105 82105 8.8	2
13	23S8/16 8.8 82105 OC	Bolt 8 x 16 galv., 8.8 82105 82105	8
14	POD-ELZ-000652	Aluminium/steel pop rivet 5 x 10	15

33. STRING WRAPPER – FRONT PART 1.

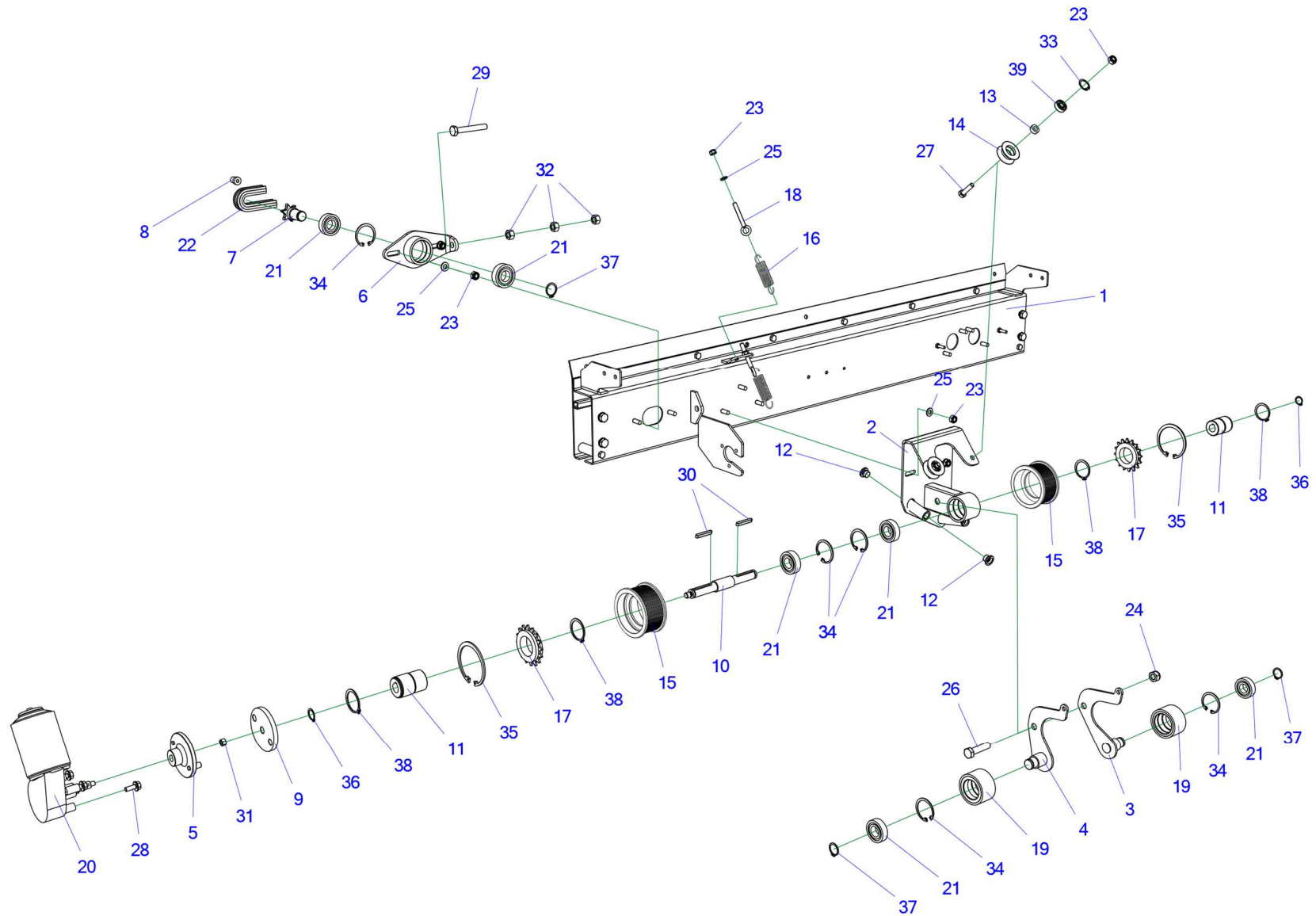


Table 33. String wrapper – front part 1.

No.	Index	Name	Quantity
1	Z587 090.210.02	Welded front sheet	1
2	Z587 090.360.00	Bracket welded	1
3	Z587 090.330.00	Welded arm right	1
4	Z587 090.320.00	Welded arm left	1
5	Z587 090.380.00	Weld disc POD-EOS-000400	1
6	Z587 090.240.00	Hub I, welded	1
7	Z587 090.009.00	Passive wheel POD-EOS-000396	1
8	Z587 090.064.00	Hardened sleeve	1
9	Z587 090.045.00	Shield 1	1
10	Z587 090.038.01	Conveyor shaft	1
11	Z587 090.035.01	Feeder coupling hub	2
12	Z587 090.061.00	Hardened sleeve	4
13	Z587 090.042.00	Washer 8 x 16 x 6	2
14	Z587 090.041.00	Guiding roller	2
15	Z587 090.036.01	Feed roller	2
16	POD-SPR-000060	spring maz-6531 galv., (1800025)-feraboli	2
17	POD-OGL-000411	Freewheel Z16	2
18	POD-ELZ-000547	eye bolt 8 x 60 DIN444 galv.	2
19	POD-OGL-001230	Pressure roller with rubber dia. 60 Z587 090.410.00	2
20	POD-OGL-000413	Electric motor	1
21	POD-LOZ-000137	Bearing 6004 2RS	6
22	POD-LAN-000076	Chain 10B1 131 links (Fe)	1

No.	Index	Name	Quantity
23	23NS8OC	Self-locking nut M8 galv., 82175 8 82175 8	8
24	23NS12OC	Self-locking nut M12 galv., 82175 8 82175 8	1
25	23P8OOC	Round washer 8 galv., 82005 82005	6
26	POD-ELZ-000519	Bolt 12 x 50 galv., 10,9 82101	1
27	23S8/30OC 8.8	Bolt 8 x 30 galv., 8.8 82105 82105	2
28	POD-ELZ-000495	Flanged bolt M6 x 16 galv. 5.8 82247	3
29	23S10/70	Bolt 10 x 70 galv., 8.8 82105 82105	1
30	POD-ELZ-000550	Key 5 x 5 x 36	2
31	23N6OC	Nut M6 galv., 82144 5 82144 5	1
32	23N10OC	Nut M10 galv., 82144 5 82144 5	3
33	23SW22	Circlip W22	2
34	23SW42	Circlip W42	5
35	23SW72	Circlip W72	2
36	POD-ELZ-000449	Circlip Z16	2
37	23SZ20	Circlip Z20	3
38	23SZ35	Circlip Z35	4
39	25L608 2RS	Bearing 608 2RS	2

34. STRING WRAPPER – FRONT PART 2.

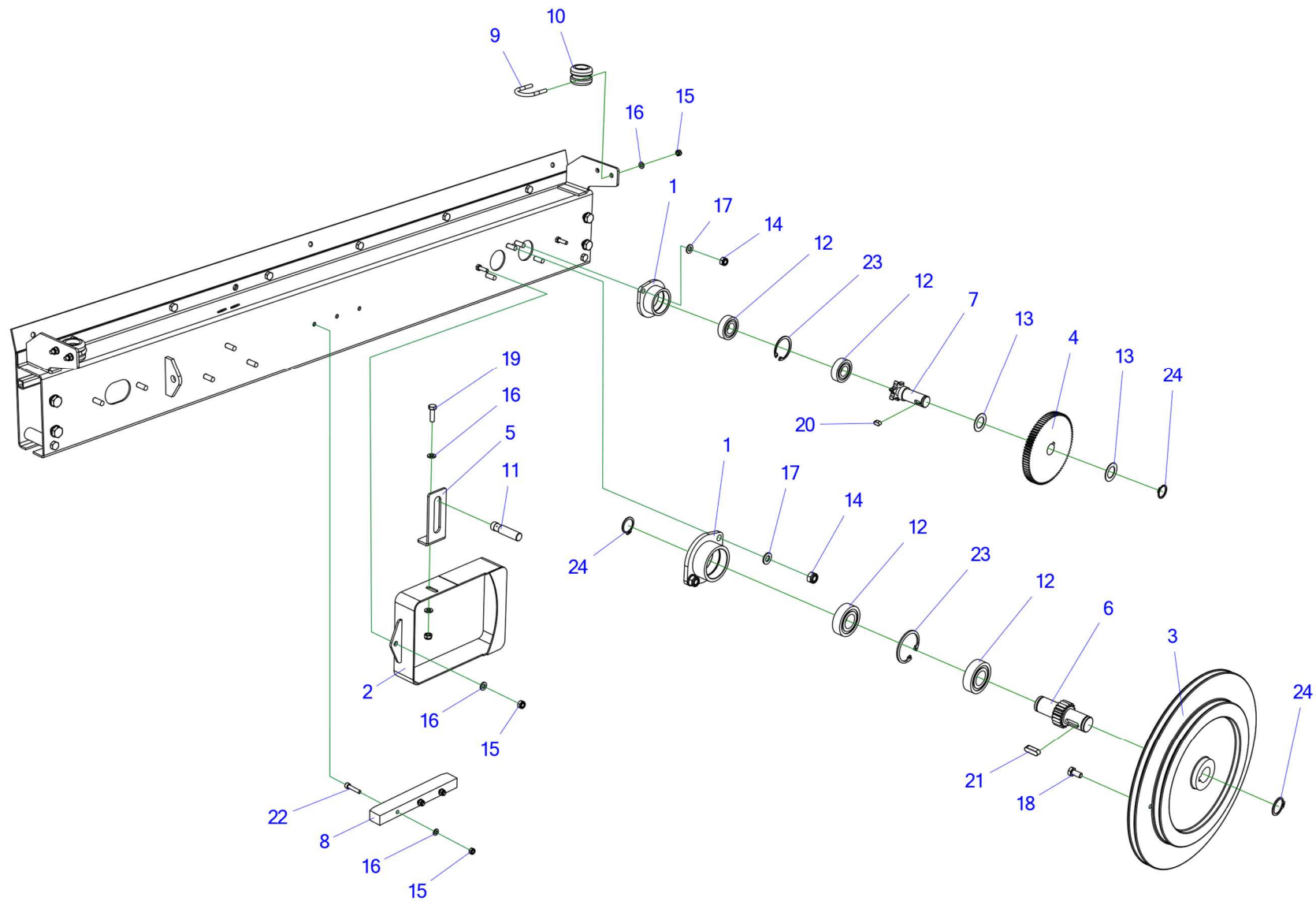


Table 34. String wrapper – front part 2.

No.	Index	Name	Quantity
1	Z587 090.230.00	Welded hub	2
2	Z587 090.300.00	Weld guard	1
3	Z587 090.021.01	Pulley POD-TSZ-000150	1
4	Z587 090.026.01	Wheel Z81 M1.5	1
5	Z587 000.001.00	Sensor support	1
6	Z587 090.022.00	Wheel Z20 M1.5 POD-EOS-000397	1
7	Z587 090.008.00	Active wheel POD-EOS-000395	1
8	Z587 090.016.00	Long slide	1
9	POD-ELZ-000475	Clamp M6 galv., Z-562 000.000.043	2
10	25PSZ	Twine guide	2
11	POD-ELK-000347	Inductive sensor BI4M12-AP6X-H1141	1
12	POD-LOZ-000137	Bearing 6004 2RS	4
13	POD-ELZ-000848	Spacer washer 20 x 32 x 1 DIN 988	2
14	23NS8OC	Self-locking nut M8 galv., 82175 8 82175 8	4
15	23NS6OC	Self-locking nut M6 galv., 82175 8 82175 8	10
16	23P6OOC	Round washer 6 galv., 82005 82005	11
17	23P8OOC	Round washer 8 galv., 82005 82005	4
18	23S6/12OC 8.8	Bolt 6 x 12 galv., 8.8 82105 82105 8.8	1
19	23S6/20	Bolt 6 x 20 galv., 8.8 82105 82105 8.8	1
20	POD-ELZ-000726	Key 6 x 6 x 12	1
21	23WP6/6/20	Key 6 x 6 x 20	1
22	POD-ELZ-000065-1	Allen bolt 6 x 30 black 12.9 82302	3
23	23SW42	Circlip W42	2
24	23SZ20	Circlip, Z20	3

35. TWINE WRAPPER – BACK

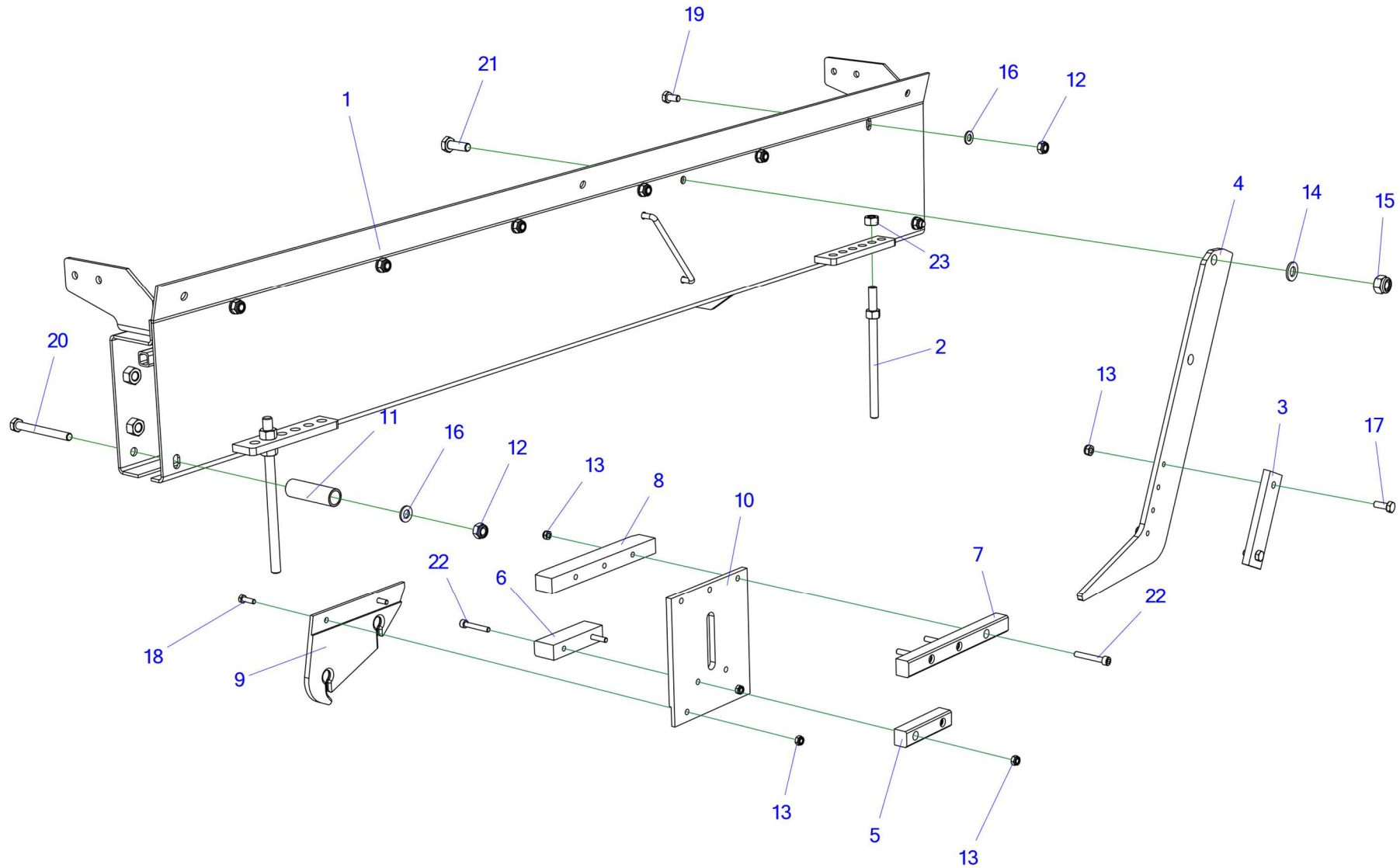


Table 35. Twine wrapper – back

No.	Index	Name	Quantity
1	Z587 090.220.02	Welded back sheet	1
2	Z587 090.400.01	Weld stop	2
3	Z587 090.062.00	Cutter	1
4	Z587 090.053.03	Knife bracket	1
5	Z587 090.019.00	Rear short slide	1
6	Z587 090.018.00	Short slide	1
7	Z587 090.017.00	Rear long slide	1
8	Z587 090.016.00	Long slide	1
9	Z587 090.007.01	Twine guide	1
10	Z587 090.006.00	Guide plate	1
11	Z587 090.012.00	Spacer bushing	2
12	23NS8OC	Self-locking nut M8 galv., 82175 8 82175 8	8
13	23NS6OC	Self-locking nut M6 galv., 82175 8 82175 8	9
14	23P10 82005	Round washer 10 galv., 82005 82005	1
15	23NS10OC	Self-locking nut M10 galv., 82175 8 82175 8	1
16	23P8OOC	Round washer 8 galv., 82005 82005	8
17	23S6/16 8.8OC	Bolt 6 x 16 galv., 8.8 82105 82105 8.8	2
18	23S6/20	Bolt 6 x 20 galv., 8.8 82105 82105 8.8	2
19	23S8/16 8.8 82105 OC	Bolt 8 x 16 galv., 8.8 82105 82105	6
20	23S8/80 8.8	Bolt 8 x 80 galv., 8.8 82101 82101	2
21	23S10/30 8.8	Bolt 10 x 30 black, 8.8 82105 82105	1
22	23S16/40 10.9	Allen bolt 6 x 40 black, 10.9 82302 82302 10.9	5
23	23N10OC	Nut M10 galv., 82144 5 82144 5	2

36. NET WRAPPER – BODY

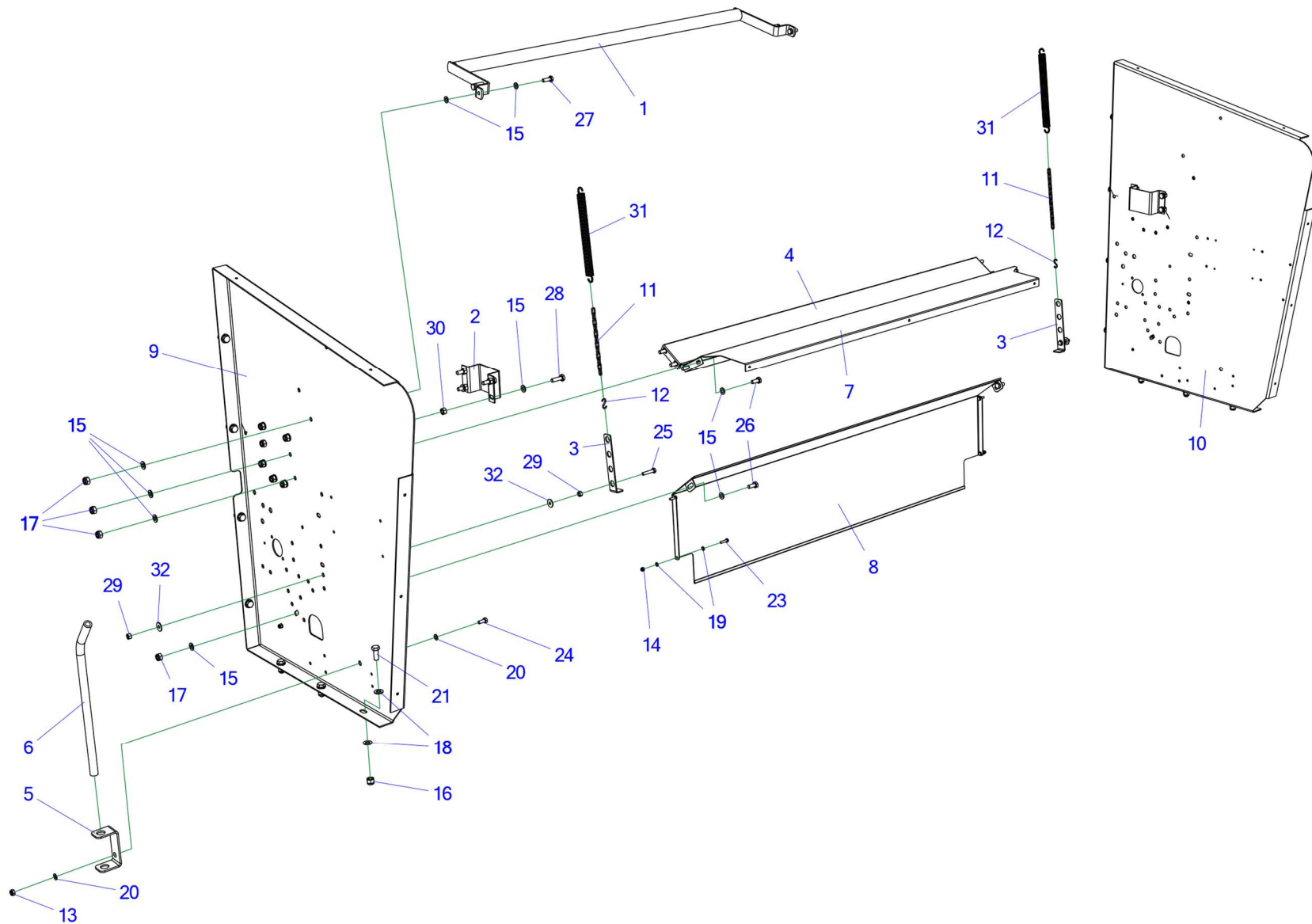


Table 36. Net wrapper – body

No.	Index	Name	Quantity
1	Z587 110.270.00	Net brake	1
2	Z587 110.060.00	Stop plate	2
3	Z587 110.059.00	Spring adjuster plate	2
4	Z587 110.057.00	Guard	1
5	Z587 110.049.00	Fixture	1
6	Z587 110.011.00	Locking tube	1
7	Z587 310.009.00	Grid trough	1
8	Z587 310.007.00	Mesh guard	1
9	Z587 310.002.00	Grid side right	1
10	Z587 310.001.01	Grid side left	1
11	POD-LAN-000094	Chain 3 mm Feraboli	2
12	POD-LAN-000090	Complementary chain link "S" 3 mm	2
13	23NS8OC	Self-locking nut M8 galv., 82175 8 82175 8	1
14	23NS6OC	Self-locking nut M6 galv., 82175 8 82175 8	4
15	23P10 82005	Round washer 10 galv., 82005 82005	42
16	23NS12OC	Self-locking nut M12 galv., 82175 8 82175 8	14
17	23NS10OC	Self-locking nut M10 galv., 82175 8 82175 8	20
18	23P12OC	Round washer 12 galv., 82005	28
19	23P6OOC	Round washer 6 galv., 82005 82005	8
20	23P8OOC	Round washer 8 galv., 82005 82005	2
21	23S12/30OC 8.8	Bolt 12 x 30 galv., 8.8 82105 82105	14
22	23S6/20	Bolt 6 x 20 galv., 8.8 82105 82105 8.8	2

No.	Index	Name	Quantity
23	23S6/25OC 105	Bolt 6 x 25 galv., 8.8 82105	2
24	23S8/20OC 8.8	Bolt 8 x 20 galv., 8.8 82105 82105	1
25	23S8/40OC 8.8	Bolt 8x40 galv., 8.8 82105 82105	2
26	23S10/25OC 8.8	Bolt 10 x 25 galv., 8.8 82105 82105	10
27	23S10/30OC 8.8	Bolt 10 x 30 galv., 8.8 82105 82105	2
28	23S10/35OC 8.8	Bolt 10 x 35 galv., 8.8 82105 82105	8
29	23N8OC	Nut M8 galv., 82144 5 82144 5	4
30	23N10OC	Nut M10 galv., 82144 5 82144 5	8
31	POD-SPR-000064	Tension spring 3.5/22.5/208/67 galv., (maz-6529) (FE-1813934)	2
32	23P8OC 82030	Round washer 8 galv., coated 82030	4

37. NET WRAPPER – FEEDING UNIT

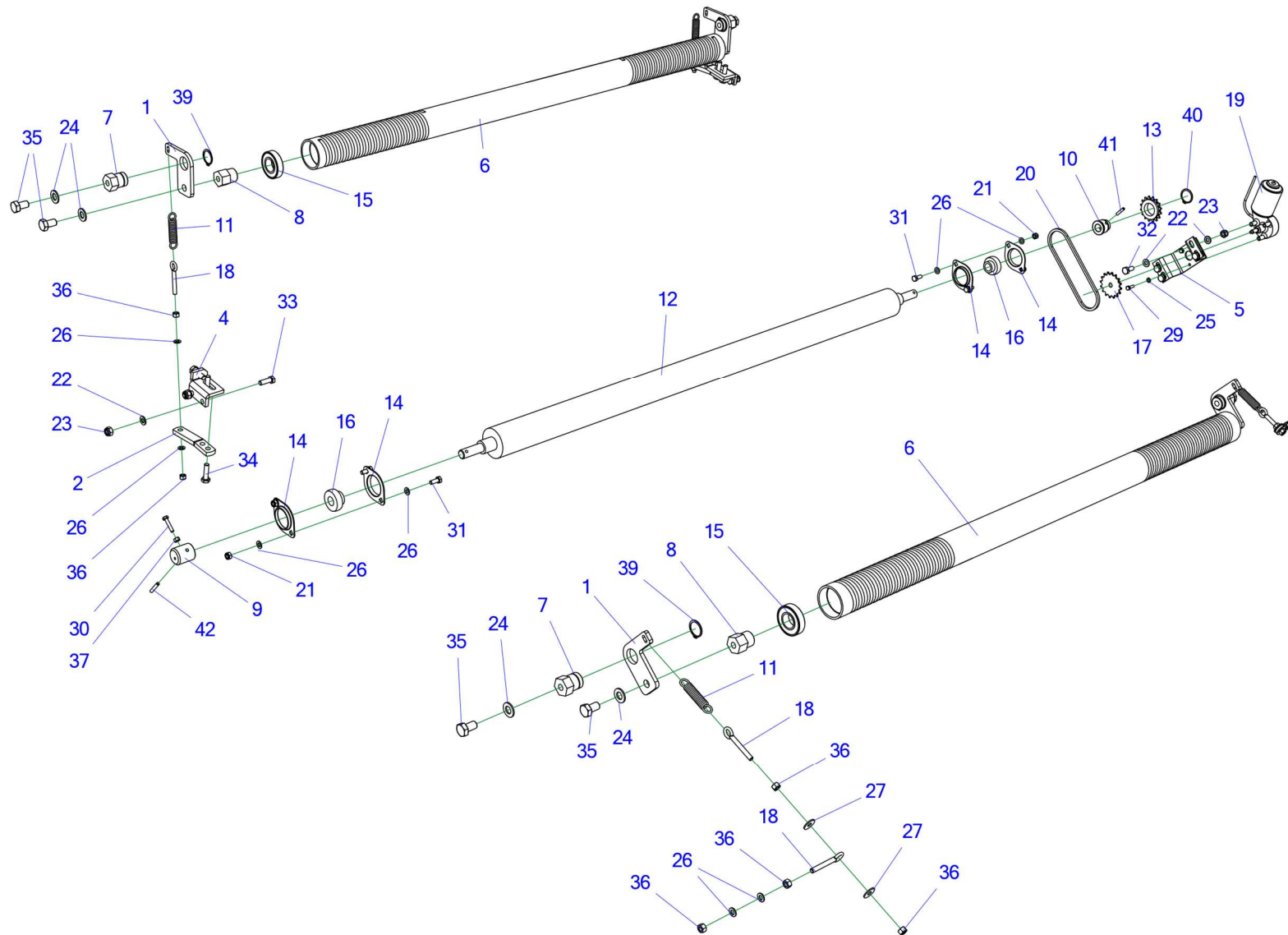


Table 37. Net wrapper – feeding unit

No.	Index	Name	Quantity
1	Z587 110.062.00	Steel plate I	4
2	Z587 110.054.00	Flat bar	2
3	Z587 110.051.00	Left-side support	1
4	Z587 110.050.00	Right-side support	1
5	Z587 110.048.00	Motor support	1
6	Z587 110.046.00	Distribution pipe	2
7	Z587 110.045.00	Bearing pivot	4
8	Z587 110.044.00	Bearing pivot	4
9	Z587 110.010.00	Bushing	1
10	Z587 110.008.00	Hub	1
11	POD-SPR-000061	Spring maz-6532 galv., (1800024)-feraboli	4
12	POD-OGL-000415	Rubber roller	1
13	POD-OGL-000411	Freewheel Z16	1
14	POD-LOZ-000214	Casing P204 PF47 (fe)	4
15	POD-LOZ-000169	Bearing 6206 2RS (Fe)	4
16	POD-LOZ-000154	Bearing SB 204 (Fe)	2
17	POD-EOS-000339	Sprocket Z=16 1/2"-1/8" Z587 34P0039	1
18	POD-ELZ-000547	eye bolt 8 x 60, DIN444 galv.	6
19	POD-ELK-000280	Electric motor 401000010 ZEM	1
20	POD-LAN-000069	Chain 1/2 x 1/8 40 links (Fe) 081 41 Pz Wz	1
21	23NS8OC	Self-locking nut M8 galv., 82175 8 82175 8	4
22	23P10 82005	Round washer 10 galv., 82005 82005	12

No.	Index	Name	Quantity
23	23NS10OC	Self-locking nut M10 galv., 82175 8 82175 8	8
24	23P14OC	Round washer 14 galv., 82005 82005	8
25	23P6OOC	Round washer 6 galv., 82005 82005	3
26	23P8OOC	Round washer 8 galv., 82005 82005	16
27	23P8OC 82030	Round washer 8 galv., coated 82030	4
28	23S12/35OC 8.8	Bolt 12 x 35 galv., 8.8 82105 82105	2
29	23S6/20	Bolt 6 x 20 galv., 8.8 82105 82105 8.8	3
30	23S6/30/8.8 82105 GALV.	Bolt 6x30 galv., 8.8 82105 82105	1
31	23S8/20OC 8.8	Bolt 8 x 20 galv., 8.8 82105 82105	4
32	23S10/25OC 8.8	Bolt 10 x 25 galv., 8.8 82105 82105	6
33	23S10/30OC 8.8	Bolt 10 x 30 galv., 8.8 82105 82105	2
34	POD-ELZ-000045-1	Bolt 10 x 40 galv., 8.8 82101	4
35	POD-ELZ-000523	Bolt 14x25 galv., 8.8 82105	8
36	23N8OC	Nut M8 galv., 82144 5 82144 5	12
37	23N6OC	Nut M6 galv., 82144 5 82144 5	1
38	23N12OC	Nut M12 galv., 82144 5	2
39	23SZ30	Circlip, Z30	4
40	23SZ35	Circlip Z35	1
41	23K6/30	Spring pin 6 x 30 DIN 1481	1
42	23K6/40	Spring pin 6 x 40 DIN 1481	1

38. NET WRAPPER – CUTTING UNIT PART 1.

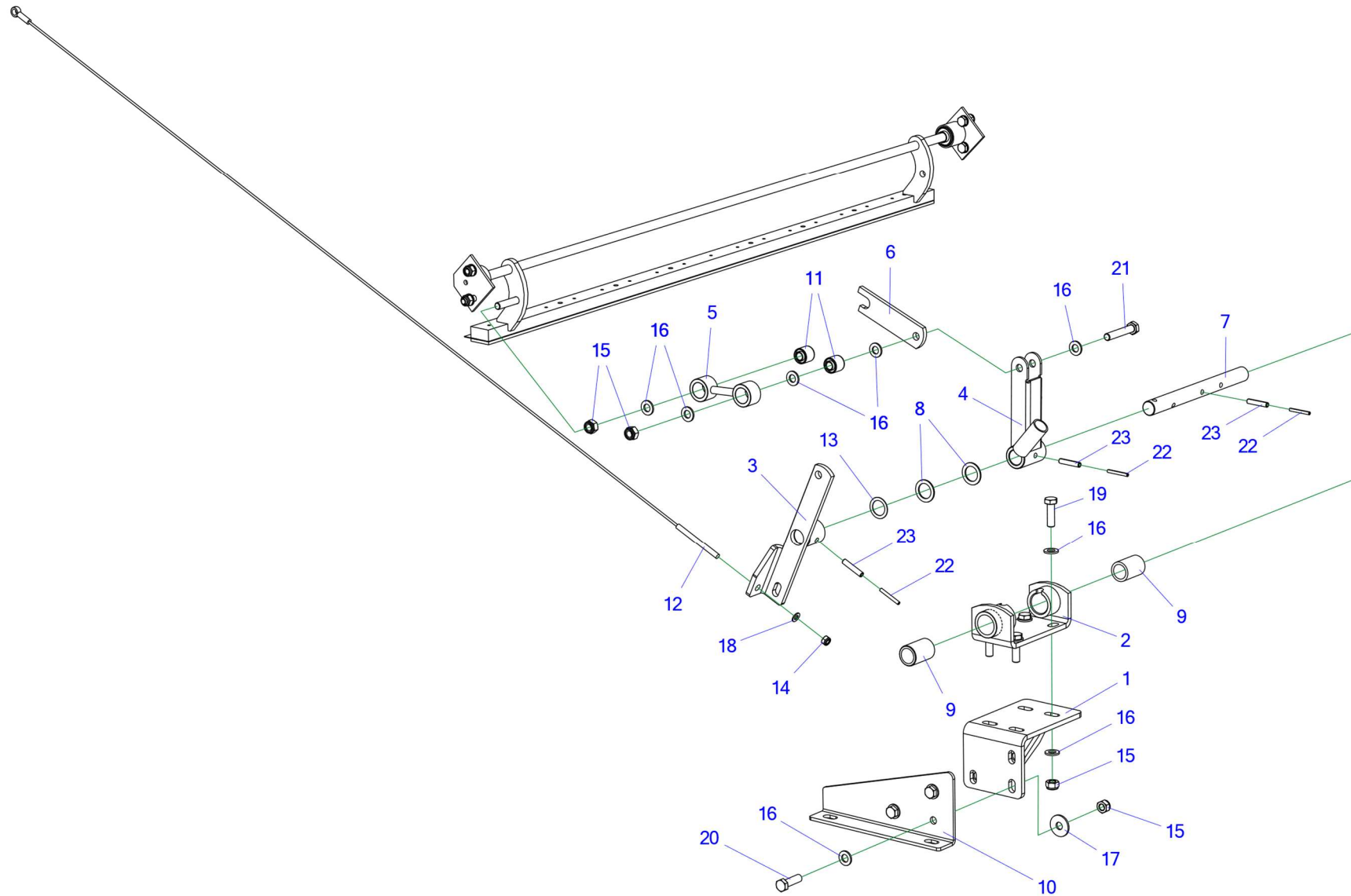


Table 38. Net wrapper – cutting unit part 1.

No.	Index	Name	Quantity
1	Z587 310.220.00	Bracket	1
2	Z587 110.220.00	Lever attachment bracket	1
3	Z587 110.005.00	Knife arm	1
4	Z587 110.003.00	Knife frame holder	1
5	Z587 110.260.00	Connecting rod	1
6	Z587 110.058.00	Lock	1
7	Z587 110.007.00	Mesh roller	1
8	Z587 000.014.00	Round washer 25.5 x 37 x 2	2
9	Z587 110.065.00	Bushing I Z587 110.065.00	2
10	Z587 310.010.00	Net reinforcement	1
11	POD-OGL-000457	Metal-rubber bushing 12 x 26 x 26	2
12	POD-OGL-000931	Coated steel cable length 1680 mm	1
13	POD-ELZ-000720	Spacer 25 x 35 x 1 56805036010120	1
14	23NS8OC	Self-locking nut M8 galv., 82175 8 82175 8	1
15	23NS12OC	Self-locking nut M12 galv., 82175 8 82175 8	7
16	23P12OC	Round washer 12 galv., 82005	16
17	23P12OOC	Round washer, round 12 galv., coat. 82030	3
18	23P8OOC	Round washer 8 galv., 82005 82005	1
19	23S12/40OC	Bolt 12 x 40 galv., 8.8 82101 82101	4
20	23S12/40OC 8.8	Bolt 12 x 40 galv., 8.8 82105 82105	3
21	23S12/70OC 8.8	Bolt 12 x 70 galv., 8.8 82101 82101	1
22	POD-ELZ-000354	Spring pin 5 x 40 DIN 1481	3
23	POD-ELZ-000540	Spring pin 8 x 40 DIN 1481	3

39. NET WRAPPER – CUTTING UNIT PART 2.

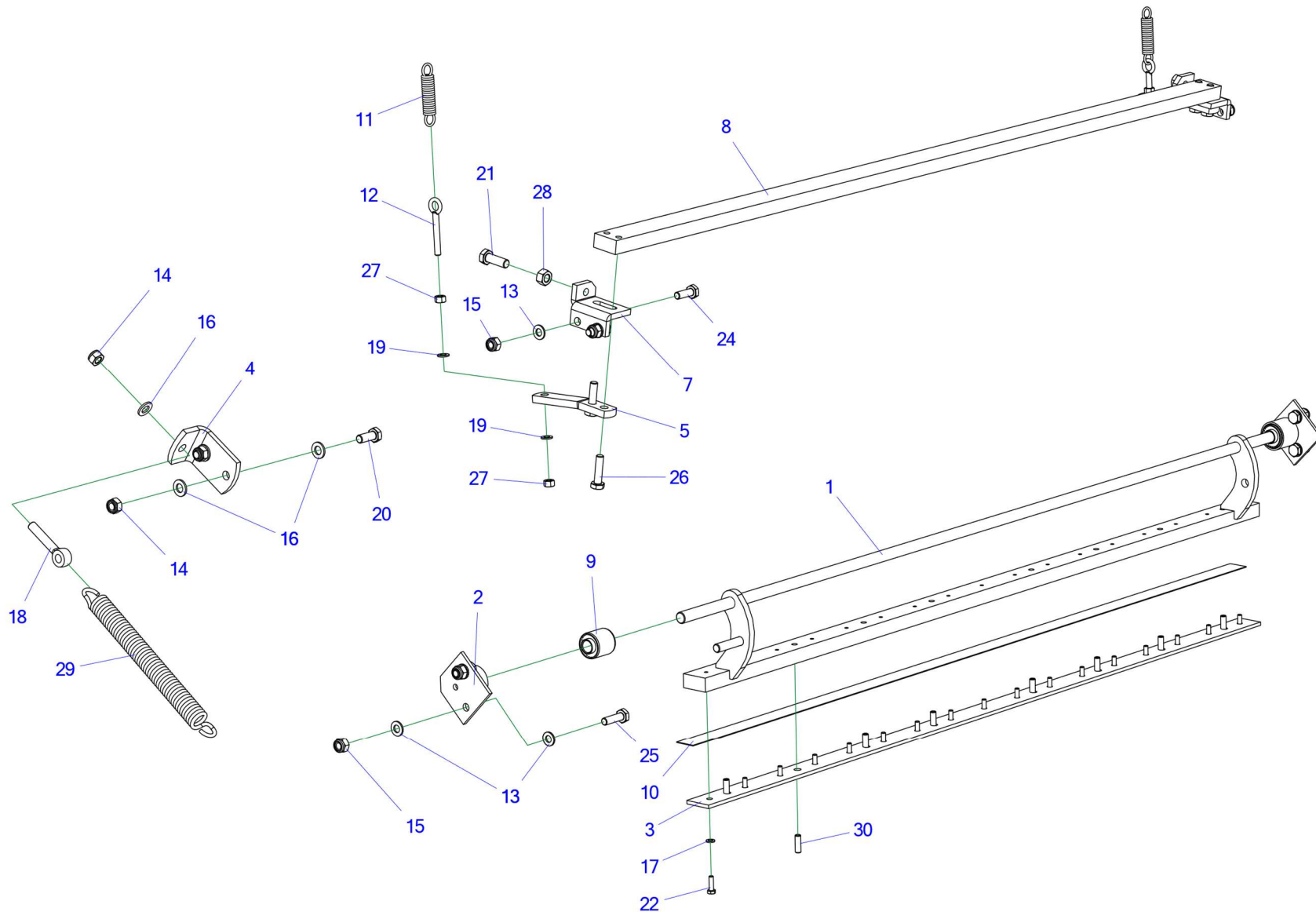


Table 39. Net wrapper – cutting unit part 2.

No.	Index	Name	Quantity
1	Z587 110.006.00	Knife frame	1
2	Z587 110.240.00	Silent-block support	2
3	Z587 110.053.01	Plate II of the knife frame	1
4	Z587 110.061.00	Spring mounting	1
5	Z587 110.054.00	Flat bar	2
6	Z587 110.051.00	Left-side support	1
7	Z587 110.050.00	Right-side support	1
8	Z587 110.052.00	Counter blade	1
9	POD-OGL-000458	Silentblock 16 x 36 x 43	2
10	POD-EOS-000366	Cutter	1
11	POD-SPR-000061	Spring maz-6532 galv., (1800024)-feraboli	2
12	POD-ELZ-000547	eye bolt 8 x 60 DIN444 galv.	2
13	23P10 82005	Round washer 10 galv., 82005 82005	12
14	23NS12OC	Self-locking nut M12 galv., 82175 8 82175 8	3
15	23NS10OC	Self-locking nut M10 galv., 82175 8 82175 8	8
16	23P12OC	Round washer 12 galv., 82005	5
17	23P6OOC	Round washer 6 galv., 82005 82005	17
18	POD-ELZ-000546	Eye bolt 12 x 70 DIN444 LB galv.	1
19	23P8OOC	Round washer 8 galv., 82005 82005	4
20	23S12/30OC 8.8	Bolt 12 x 30 galv., 8.8 82105 82105	2
21	23S12/35OC 8.8	Bolt 12 x 35 galv., 8.8 82105 82105	1
22	23S6/20	Bolt 6 x 20 galv., 8.8 82105 82105 8.8	17

No.	Index	Name	Quantity
23	23S10/25OC 8.8	Bolt 10 x 25 galv., 8.8 82105 82105	3
24	23S10/30OC 8.8	Bolt 10 x 30 galv., 8.8 82105 82105	2
25	23S10/35OC 8.8	Bolt 10 x 35 galv., 8.8 82105 82105	1
26	POD-ELZ-000045-1	Bolt 10 x 40 galv., 8.8 82101	4
27	23N8OC	Nut M8 galv., 82144 5 82144 5	4
28	23N12OC	Nut M12 galv., 82144 5	2
29	POD-SPR-000063	Tension spring 5/29/295/49.5 galv., (maz-6528) (FE-1822744)	1
30	23K8/25	Spring pin 8 x 25 DIN 1481	8

40. NET WRAPPER – CUTTING UNIT PART 3.

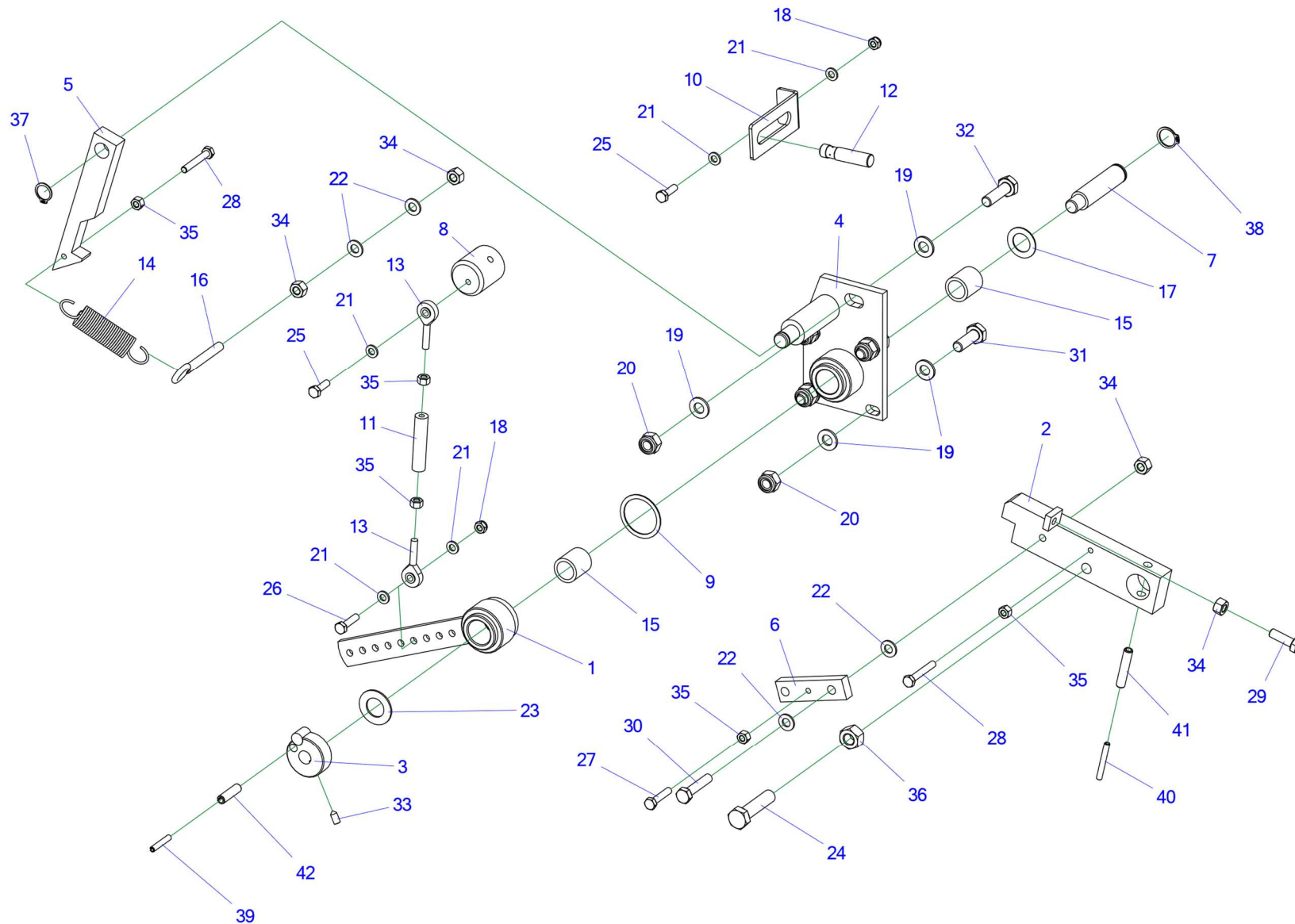


Table 40. Net wrapper – cutting unit part 3.

No.	Index	Name	Quantity
1	Z587 110.280.00	Adjuster arm	1
2	Z587 110.250.00	Ratchet	1
3	Z587 110.230.00	Cam	1
4	Z587 110.004.00	Bracket	1
5	Z587 110.056.00	Hitch	1
6	Z587 110.055.00	Flat bar	1
7	Z587 110.047.00	Mandrel	1
8	Z587 110.010.00	Bushing	1
9	Z587 000.011.00	Washer 35.3 x 43 x 1	1
10	Z587 000.001.00	Sensor support	1
11	Z587 110.067.00	Rod	1
12	POD-ELK-000347	Inductive sensor BI4M12-AP6X-H1141	1
13	POD-ELZ-000545	Ball joint M6-DX	2
14	POD-SPR-000060	spring maz-6531 galv., (1800025)-feraboli	1
15	POD-LOZ-000141	Bearing HFL 1826 (Fe)	2
16	POD-ELZ-000547	eye bolt 8 x 60 DIN444 galv.	1
17	POD-ELZ-000556	Spacer 18.5 30 1	1
18	23NS6OC	Self-locking nut M6 galv., 82175 8 82175 8	2
19	23P10 82005	Round washer 10 galv., 82005 82005	10
20	23NS10OC	Self-locking nut M10 galv., 82175 8 82175 8	5
21	23P6OOC	Round washer 6 galv., 82005 82005	5
22	23P8OOC	Round washer 8 galv., 82005 82005	4

No.	Index	Name	Quantity
23	POD-ELZ-000559	Corrugated washer 18 DIN 137B	1
24	POD-ELZ-000586	Bolt 12 x 50 galv., 10,9 82105	1
25	23S6/20	Bolt 6 x 20 galv., 8.8 82105 82105 8.8	2
26	23S6/25OC 105	Bolt 6 x 25 galv., 8.8 82105	1
27	23S6/30/8.8 82105OC.	Bolt 6 x 30 galv., 8.8 82105 82105	1
28	23S6/40OC.	Bolt 6 x 40 galv., 8.8 82105 82105 8.8	2
29	23S8/25OC8.8	Bolt 8 x 25 galv., 8.8 82105 82105	1
30	POD-ELZ-000526	Bolt 8 x 40 galv., 8.8 82101	1
31	23S10/30OC 8.8	Bolt 10 x 30 galv., 8.8 82105 82105	4
32	23S10/35OC 8.8	Bolt 10 x 35 galv., 8.8 82105 82105	1
33	POD-ELZ-000534	Set screw 6 x 12 galv., 82315 12.9	1
34	23N8OC	Nut M8 galv., 82144 5 82144 5	4
35	23N6OC	Nut M6 galv., 82144 5 82144 5	5
36	23N12OC	Nut M12 galv., 82144 5	1
37	23SZ14	Circlip Z15	1
38	23SZ18	Circlip Z18	1
39	POD-ELZ-000344	Spring pin 5 x 30 DIN 1481	1
40	POD-ELZ-000354	Spring pin 5 x 40 DIN 1481	1
41	POD-ELZ-000540	Spring pin 8 x 40 DIN 1481	1
42	POD-ELZ-000539	Spring pin 8 x 30 DIN 1481	1

41. CLEANING CLAWS AND SPREADER ROLLER

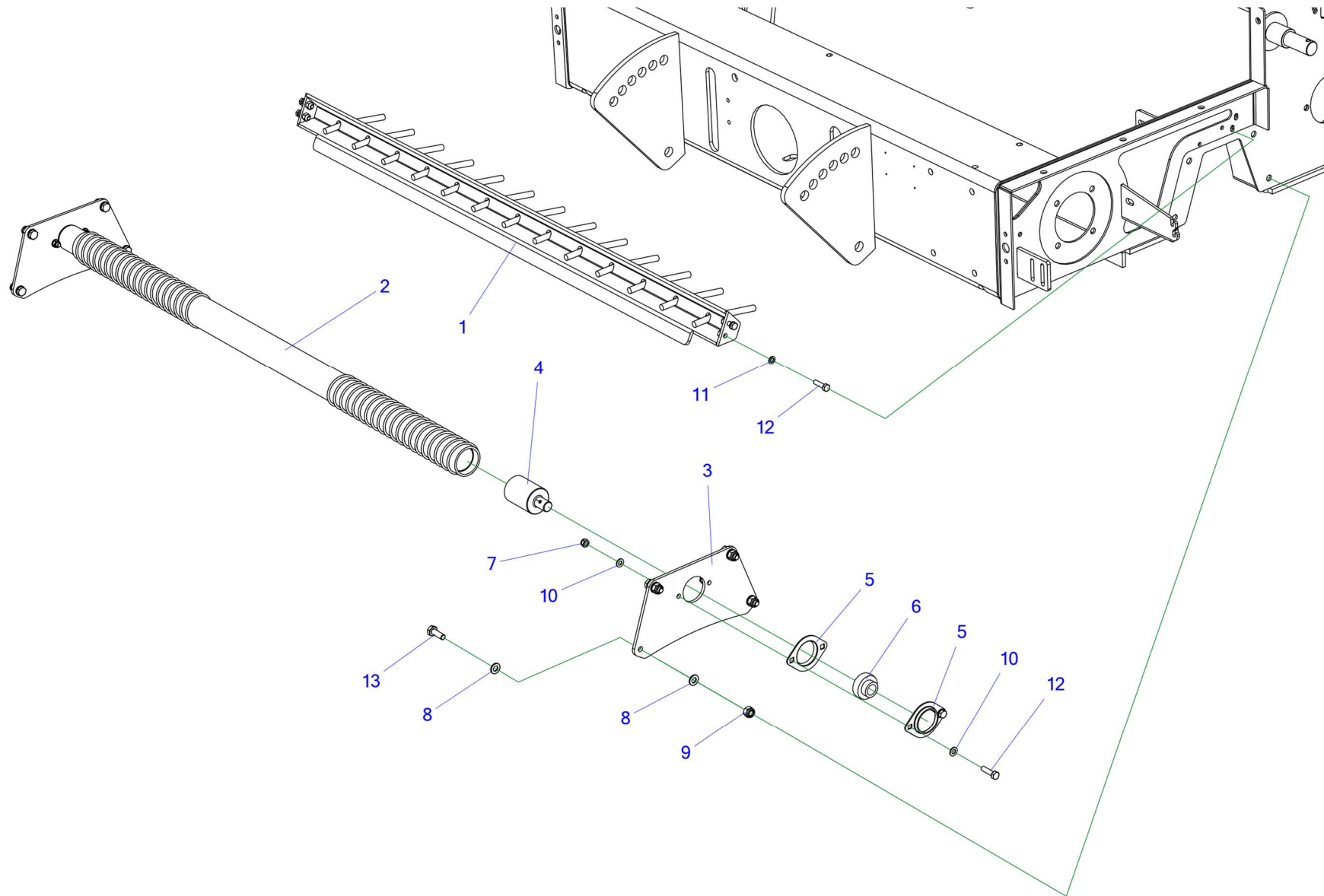
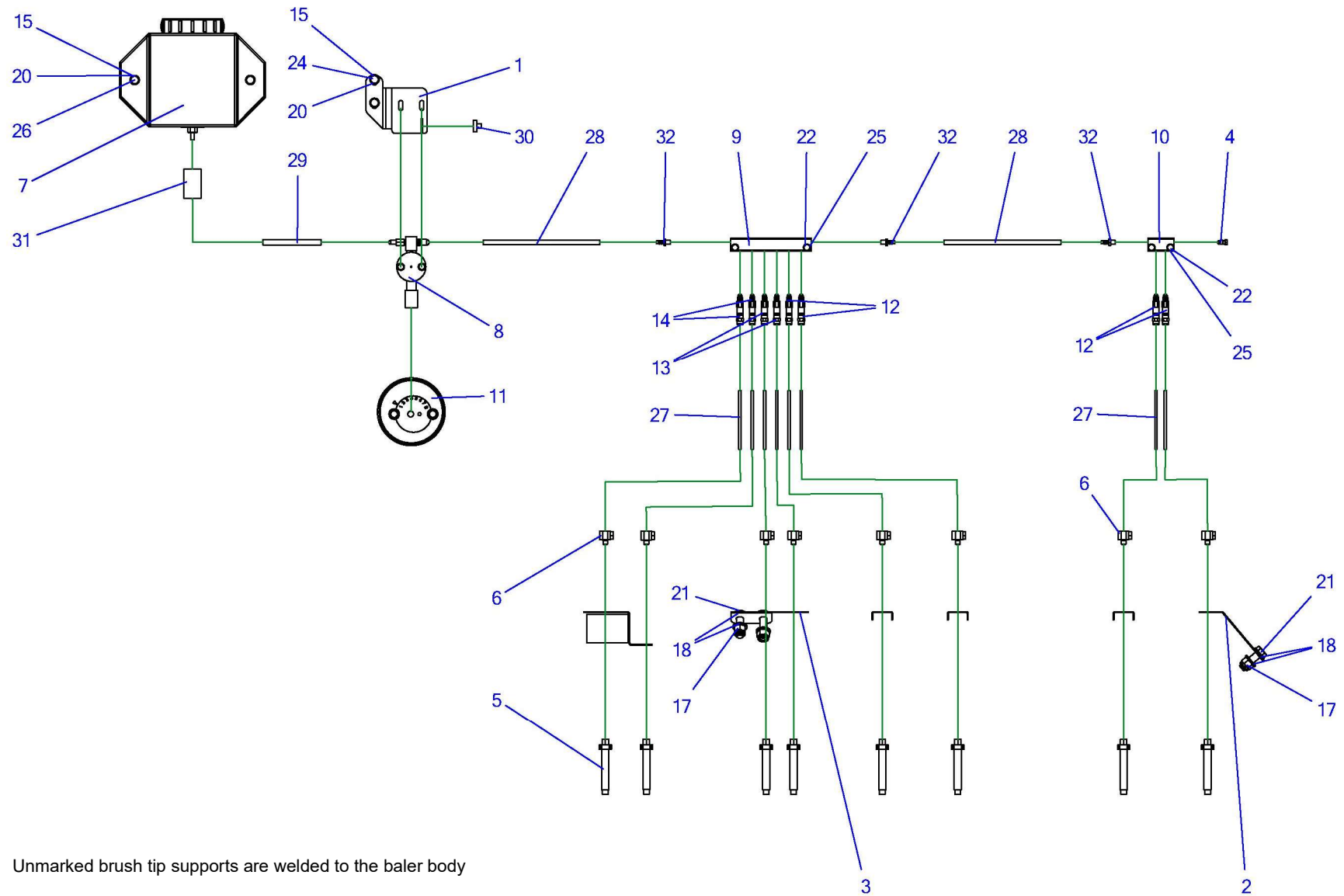


Table 41. Cleaning claws and spreader roller

No.	Index	Name	Quantity
1	Z587 220.260.00	Cleaning claws	1
2	Z562 061.003.000	Tension roller	1
3	Z587 220.053.00	Flange	2
4	Z587 310.006.00	Pin	2
5	POD-LOZ-000214	Casing P204 PF47 (fe)	4
6	POD-LOZ-000154	Bearing SB 204 (Fe)	2
7	23NS8OC	Self-locking nut M8 galv., 82175 8 82175 8	4
8	23P10 82005	Round washer 10 galv., 82005 82005	16
9	23NS10OC	Self-locking nut M10 galv., 82175 8 82175 8	8
10	23P8OOC	Round washer 8 galv., 82005 82005	8
11	23P8SPOC	Spring washer 8.2 galv., 82008 82008	4
12	23S8/30OC 8.8	Bolt 8 x 30 galv., 8.8 82105 82105	8
13	23S10/30OC 8.8	Bolt 10 x 30 galv., 8.8 82105 82105	8

42. CENTRAL CHAIN LUBRICATION SYSTEM



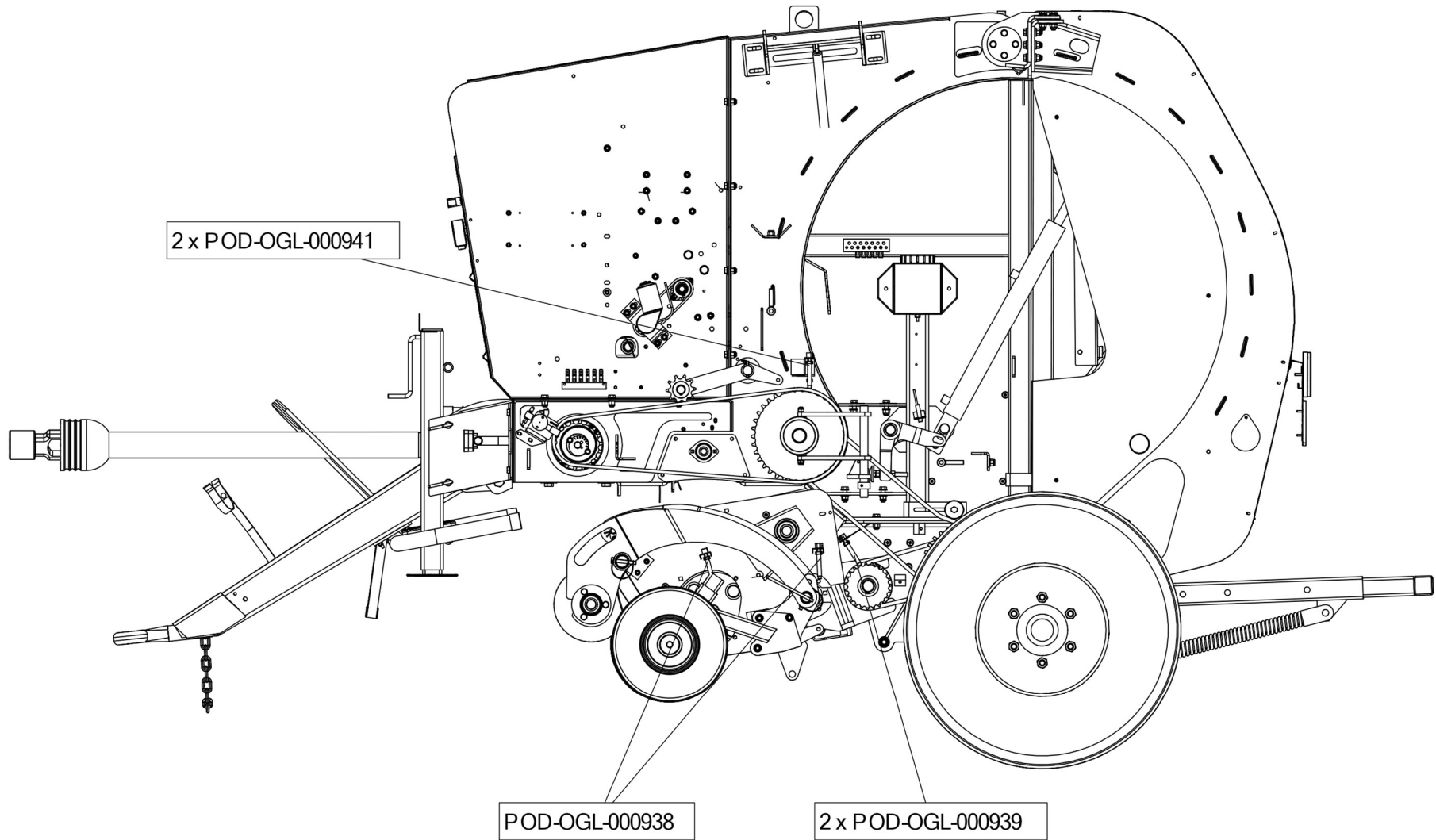
Unmarked brush tip supports are welded to the baler body

Table 42. Central chain lubrication

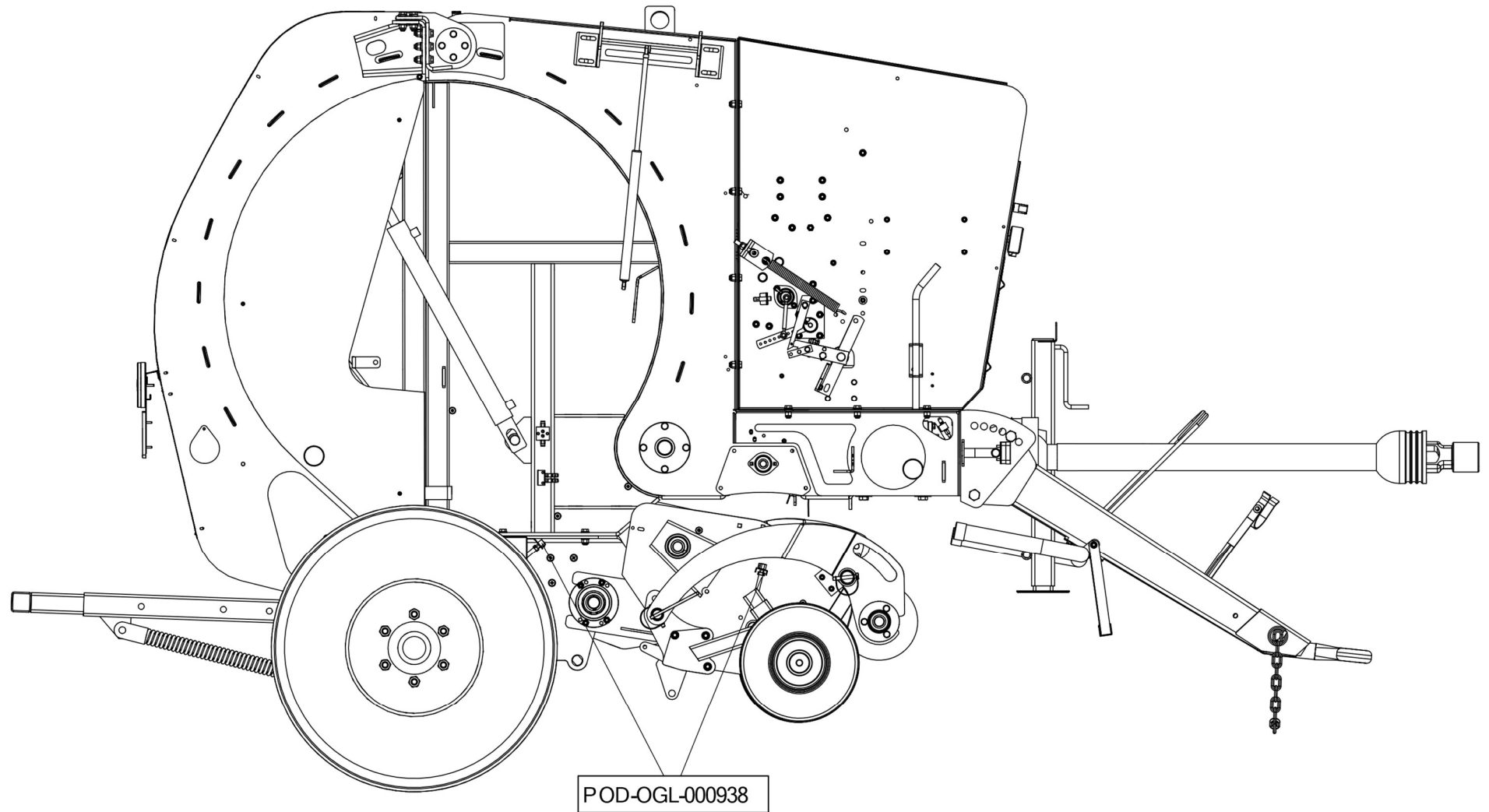
No.	Index	Name	Quantity
1	Z587 070.510.00	CS pump bracket welded	1
2	Z587 070.008.00	Bracket c.s. IV	1
3	Z587 070.007.00	Bracket c.s. II	1
4	POD-OGL-000228	Central lubrication nipple Z-562 blank 5/16 B516	1
5	24KP1	Central lubrication nipple Z-562 brush tip vol. ABR516	8
6	POD-OGL-000016-1	Central lubrication nipple Z-562 angular connector EQU516	8
7	POD-OGL-000004-1	Central lubrication nipple Z-562 central lubrication reservoir part No. 1	1
8	POD-OGL-000005-1	Central lubrication nipple Z-562 pump for central lubrication part No. 3	1
9	POD-OGL-000007-1	Central lubrication nipple Z-562 distributor for central lubrication part No. 7	1
10	POD-OGL-001028	Central lubrication nipple Z-587 2-way distributor for central lubrication	1
11	POD-OGL-000006-1	Central lubrication nipple Z-562 disc for central lubrication part No. 4	1
12	POD-OGL-000938	Central lubrication nipple Z-562 dosing tip SMU3 (nt)	4
13	POD-OGL-000939	Central lubrication nipple Z-562 dosing tip SMU4 (nt)	2
14	POD-OGL-000941	Central lubrication nipple Z-562 dosing tip SMU6 (nt)	2
15	23NS8OC	Self-locking nut M8 galv., 82175 8 82175 8	4
16	23NS6OC	Self-locking nut M6 galv., 82175 8 82175 8	2
17	23NS12OC	Self-locking nut M12 galv., 82175 8 82175 8	4
18	23P12OC	Round washer 12 galv., 82005	8
19	23P6OOC	Round washer 6 galv., 82005 82005	4

No.	Index	Name	Quantity
20	23P8OOC	Round washer 8 galv., 82005 82005	8
21	23S12/40OC	Bolt 12 x 40 galv., 8.8 82101 82101	4
22	POD-ELZ-000525	Bolt 6 x 30 galv., 8.8 82101	4
23	23S6/50OC	Bolt 6 x 50 galv., 8.8 82101 82101 8.8	2
24	23S8/25OC8.8	Bolt 8 x 25 galv., 8.8 82105 82105	2
25	23P6SPOC	Spring washer, 6.1 galv., 82008 82008	4
26	23S8/45OC 8.8	Bolt 8 x 45 galv., 8.8 82105 82105	2
27	24P4	Central lubrication nipple Plastic conduit diam. 4 x 2 PA6	8
28	POD-OGL-001030	Central lubrication nipple Z-587 cable TBH516	2
29	POD-OGL-001029	Central lubrication nipple Z-587 neoprene cable TNP06	1
30	POD-OGL-000227	Central lubrication nipple Z-562 CDCAP guide	1
31	POD-OGL-000226	Central lubrication nipple Z-562 oil filter FP3320	1
32	POD-OGL-000229	Central lubrication nipple Z-562 Connector F1KR	3

43. CENTRAL CHAIN LUBRICATION SYSTEM – LEFT SIDE



44. CENTRAL CHAIN LUBRICATION SYSTEM – RIGHT SIDE



45. CENTRAL LUBRICATION SYSTEM FOR THE BEARINGS

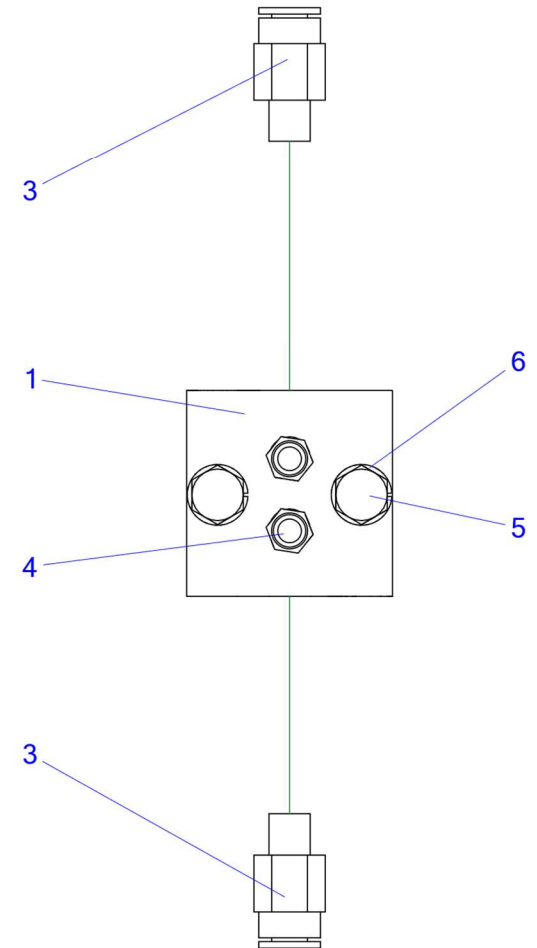
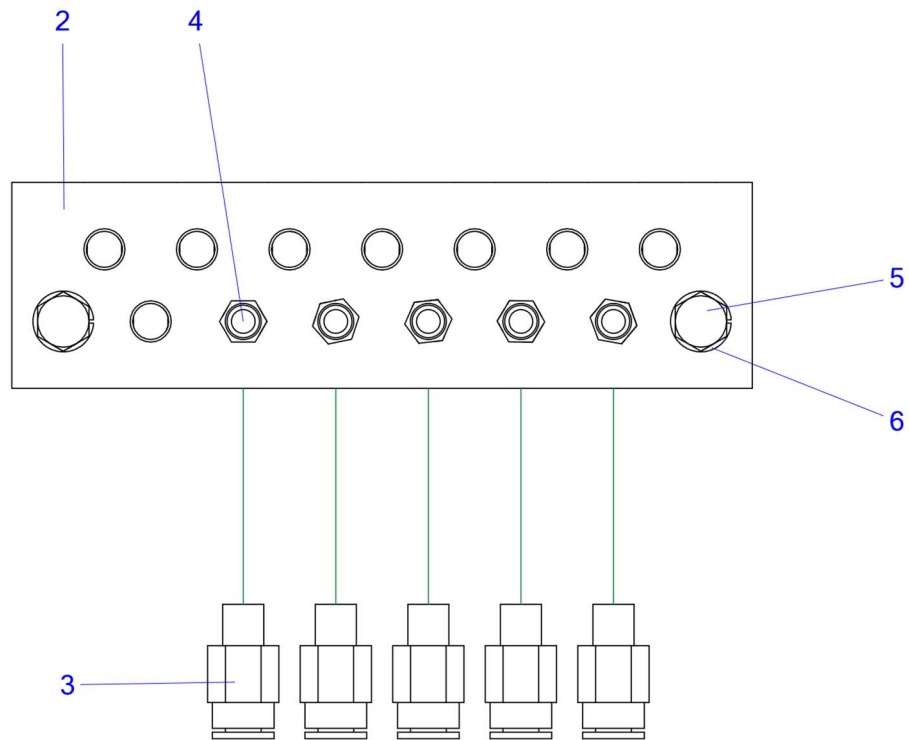


Table 43. Central lubrication system for the bearings

No.	Index	Name	Quantity
1	Z587 070.003.00	Strip II	1
2	Z587 070.001.00	Strip	1
3	POD-HYD-000004	Quick-connect coupling GEK-6-M8 x 1 symbol: 226-13752-7	7
4	23SM8	Grease nipple M8 x 1.0 simple	7
5	POD-ELZ-000525	Bolt 6 x 30 galv., 8.8 82101	4
6	23P6SPOC	Spring washer, 6.1 galv., 82008 82008	4

46. HYDRAULICS – TAILGATE

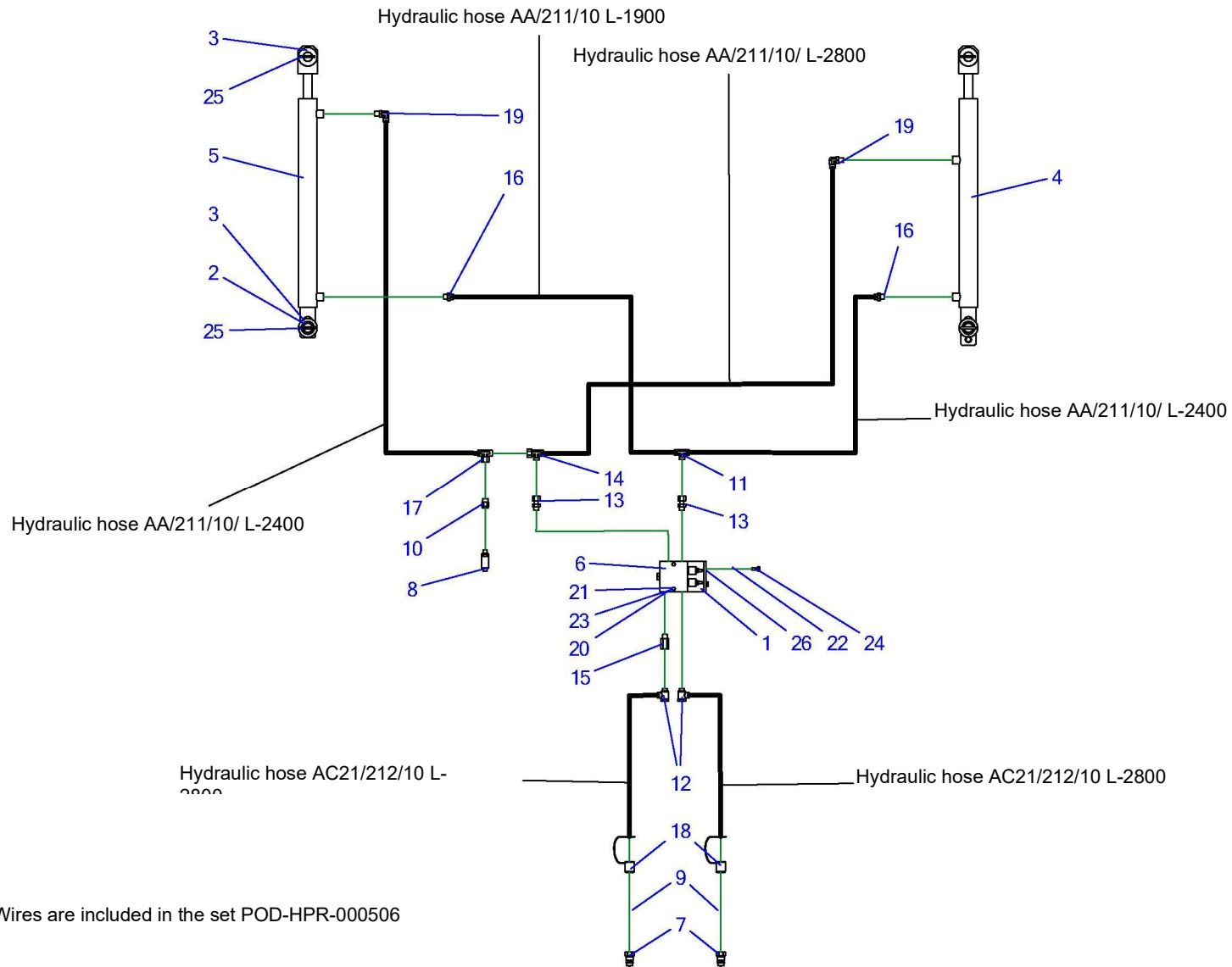
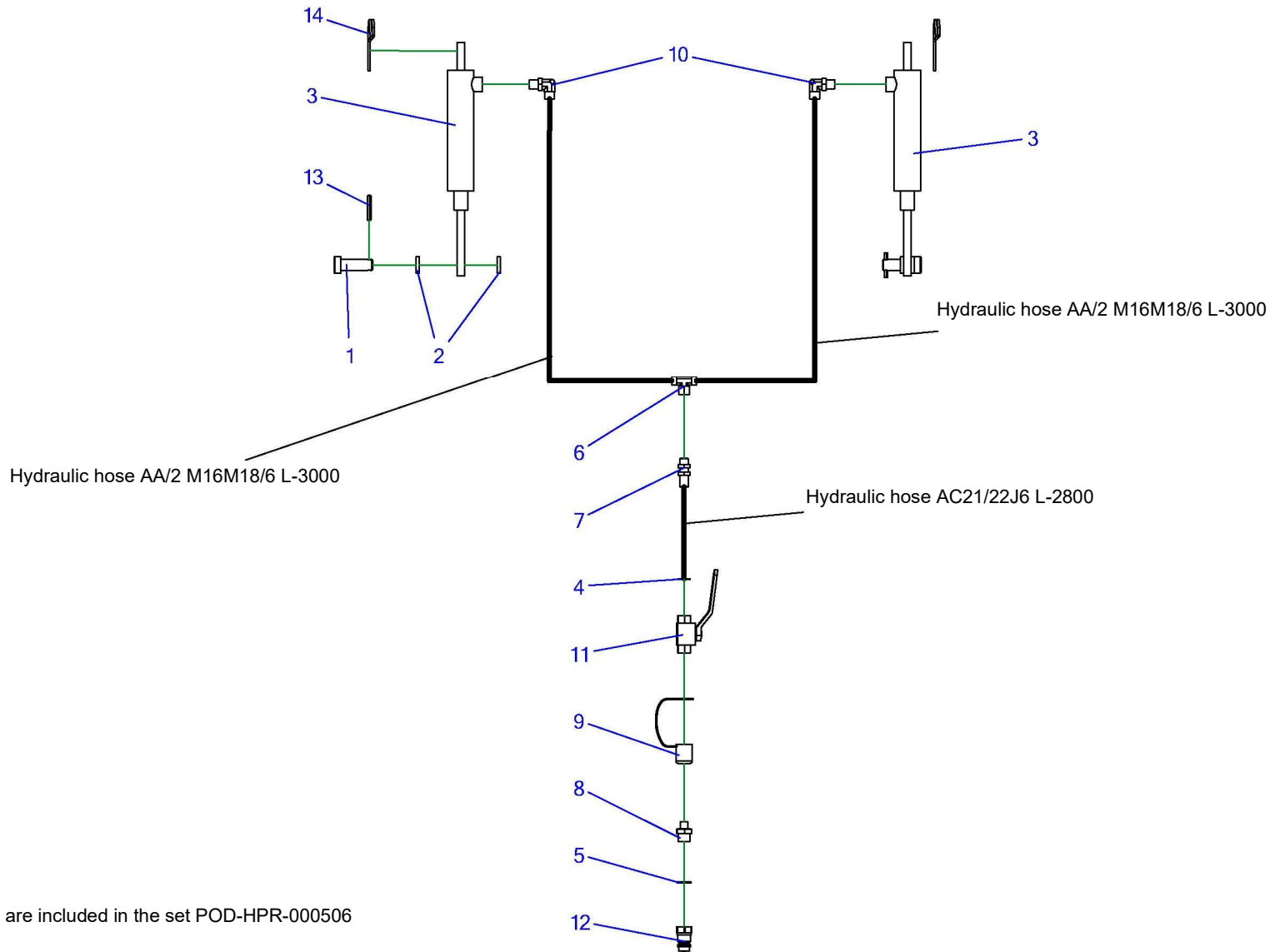


Table 44. Hydraulics – tailgate

No.	Index	Name	Quantity
1	Z587 000.003.00	Separator device support	1
2	Z587 050.043.00	Spacer bushing	2
3	Z587 000.009.00	Washer 30 x 61.5 x 3	8
4	POD-HSL-000169	Cylinder UCJ412-50/28/550+RAL7015*L-870	1
5	POD-HSL-000170	Cylinder UCJ413-50/28/550+RAL7015*L-870	1
6	POD-HZW-000077	Valve ZS-105 – PONAR replacement	1
7	POD-HZW-000053	Valve plug Euro 13 int. 1/2" (Fe) + cap	2
8	POD-HPZ-000180	Pressure transducer PT250R-14-LI3-H1131	1
9	POD-HPZ-000044-1	sealing ring PPM 1/2"	2
10	POD-HKR-000135	Pressure gauge connection 1/4in. - M18 x 1.5 out L-30	1
11	POD-HKR-000124	T-connector 18 x 18 x 18 12L (Fe)	1
12	POD-HKR-000112	Banjo coupling 3/8" ext - 18 x 1.5 (Fe)	2
13	POD-HKR-000111	Straight connection 3/8" – tube dia 12 (Fe) (AB coupling 3/8EDx18)	2
14	POD-HKR-000110	T-connector 18 x 18 x 18 12L (Fe)	1
15	POD-HKR-000105	Reduction coupling 3/8" ext. to 3/8" in. L-46 mm (Fe)	1
16	POD-HKR-000078	Straight connector 16 x 1.5 - 18 x 1.5	2
17	POD-HKR-000002-1	Symmetric T-pipe connector 18 x 18 x 18-1.5 with a top nut	1
18	24ZWNE13	Cap for EURO valve plug 13 (green, yellow, blue, red)	2
19	24KK3/8 18	Elbow adapter 3/8" - M18 x 1.5 (Fe)	2
20	23NS6OC	Self-locking nut M6 galv., 82175 8 82175 8	2

No.	Index	Name	Quantity
21	23P6OOC	Round washer 6 galv., 82005 82005	4
22	23P8OOC	Round washer 8 galv., 82005 82005	2
23	POD-ELZ-000521	Bolt 6 x 55 galv., 8.8 82105	2
24	23S8/20OC 8.8	Bolt 8 x 20 galv., 8.8 82105 82105	2
25	POD-ELZ-000538	Spring pin 6 x 50 DIN 1481	4
26	POD-ELZ-000558	Blind rivet nut M8 steel Hexagonal	2

47. HYDRAULICS – PICK-UP



Wires are included in the set POD-HPR-000506

Table 45. Hydraulics – pick-up

No.	Index	Name	Quantity
1	Z562 000.000.197	Pin II	2
2	Z562 000.000.022	Distance sleeve II	4
3	24SCN08-18-25-130	Cylinder 25/130	2
4	POD-HPZ-000121	sealing ring PPM 1/4"	1
5	POD-HPZ-000044-1	sealing ring PPM 1/2"	1
6	POD-HKR-000123	Symmetric T-pipe connector Top nut 16 x 16 x 16 10L (Fe)	1
7	POD-HKR-000113	Straight bulkhead connector M16 x 1.5+nut (as Fe)	1
8	POD-HKR-000106	Straight connector 1/2"-1/4" (Fe)	1
9	24ZWNE13	Cap for EURO valve plug 13 (green, yellow, blue, red)	1
10	24KK3/8 18	Elbow adapter 3/8" - M18 x 1.5 (Fe)	2
11	POD-HZW-000052	Ball valve RS2 1/4" (Fe)	1
12	POD-HZW-000053	Valve plug Euro 13 int. 1/2" (Fe) + cap	1
13	23K6/45	Spring pin 6 x 45 DIN 1481	2
14	23ZSP4	Elastic double cotter pin 4 mm galv., (letter R chassis)	2

48. ELECTRICAL INSTALLATION

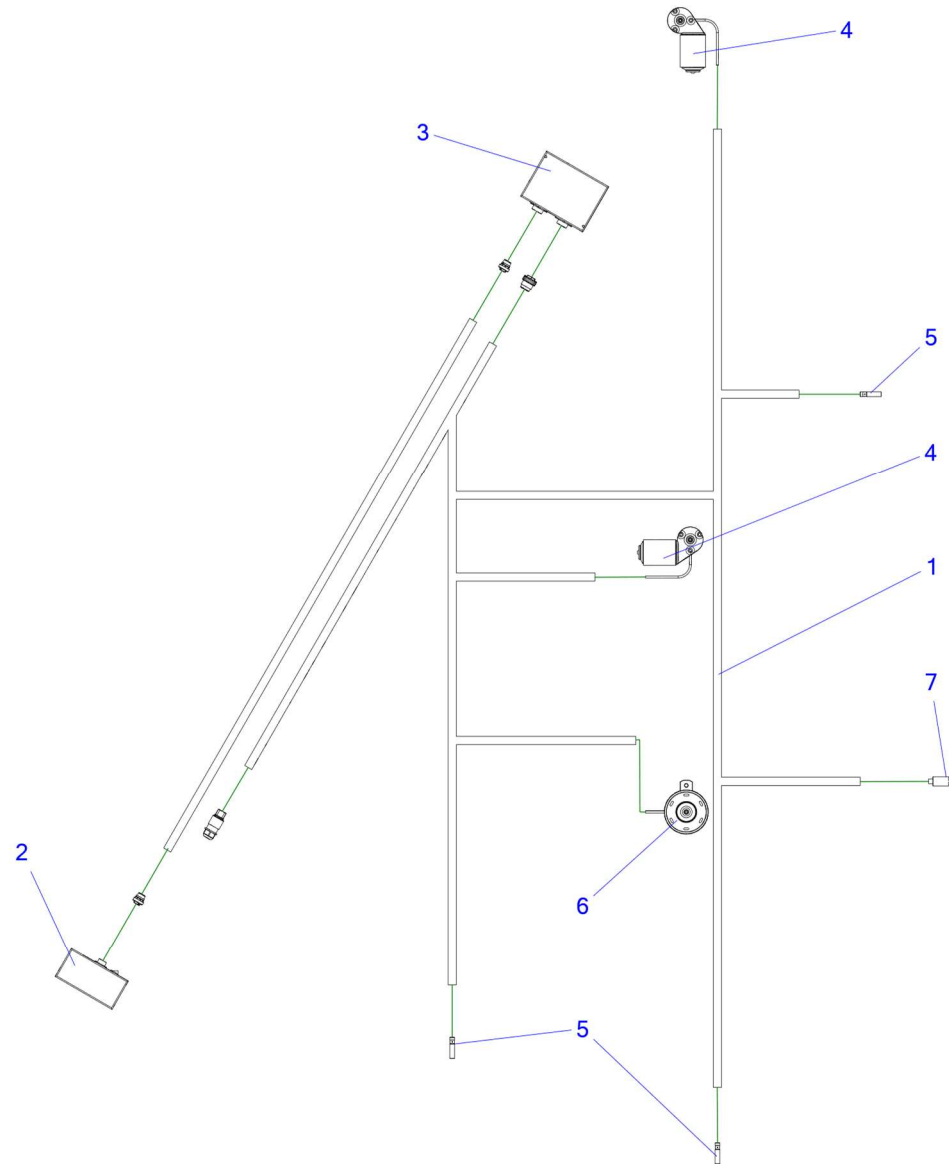


Table 46. Electrical installation

No.	Index	Name	Quantity
1	POD-ELK-000386	Electrical harness for the Z587/1 baler	1
2	POD-ELK-000401	Baler controller counter Z587-00 V2.0	1
3	POD-ELK-000400	Baler controller module counter Z587-00 V2.0	1
4	POD-ELK-000280	Electric motor 401000010 ZEM	2
5	POD-ELK-000347	Inductive sensor BI4M12-AP6X-H1141	3
6	26SD	Audible signal	1
7	POD-HPZ-000180	Pressure transducer PT250R-14-LI3-H1131	1

49. LIGHTING

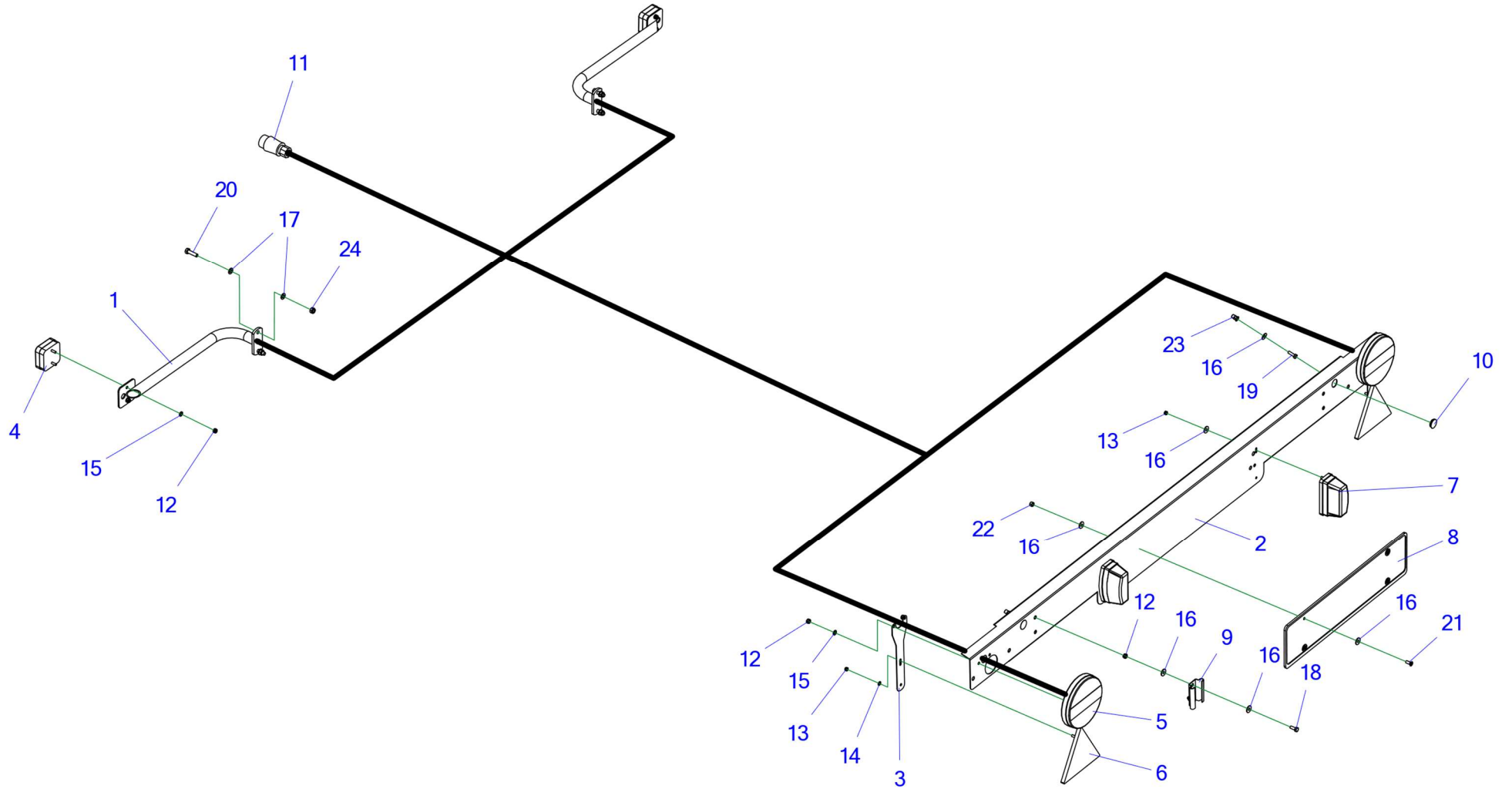


Table 47. Lighting

No.	Index	Name	Quantity
1	Z587 130.210.00	Headlight bracket	2
2	Z587 000.022.00	Lights bar	1
3	Z587 100.096.00	Lights bracket	2
4	POD-ELK-000011-1	Square clearance lamp with reflector LO 093	2
5	POD-ELK-000308	Rear combination light W95 (744) with 200 cm YLY-S 4 x 0.75 mm cable	2
6	26TO	Reflective triangle red HOR14 UOT024 (IIIA-E9-02 16093)	2
7	POD-ELK-000237	Licence plate light WO8-48	2
8	POD-OGL-000225	Frame for license plate	1
9	27UM	Painted triangular handle	1
10	POD-TSZ-000253	Snap-on guard cap, round internal 22.2 mm (Es-PGM-17)	2
11	POD-ELK-000386	Electrical harness for the Z587/1 baler	1
12	23NS6OC	Self-locking nut M6 galv., 82175 8 82175 8	10
13	POD-ELZ-000471	Self-locking nut M5 galv., 82175 8	8
14	23P5,3OC 82005	Round washer, dia. 5.3 galv., 82005 82005	4
15	23P6OOC	Round washer 6 galv., 82005 82005	8
16	23P6OC030	Round washer 6 galv., coated 82030	18
17	23P8OOC	Round washer 8 galv., 82005 82005	8
18	23S6/16 8.8OC	Bolt 6 x 16 galv., 8.8 82105 82105 8.8	2
19	23S6/20	Bolt 6 x 20 galv., 8.8 82105 82105 8.8	2
20	23S8/30OC 8.8	Bolt 8 x 30 galv., 8.8 82105 82105	4
21	23W6/16	Bolt 6x16 galv., 82208	4

No.	Index	Name	Quantity
22	23N6OC	Nut M6 galv., 82144 5 82144 5	4
23	POD-ELZ-000814	M6 hexagon rivet nut with countersunk head	2
24	23NS8OC	Self-locking nut M8 galv., 82175 8 82175 8	4

50. LEFT PLASTIC GUARD

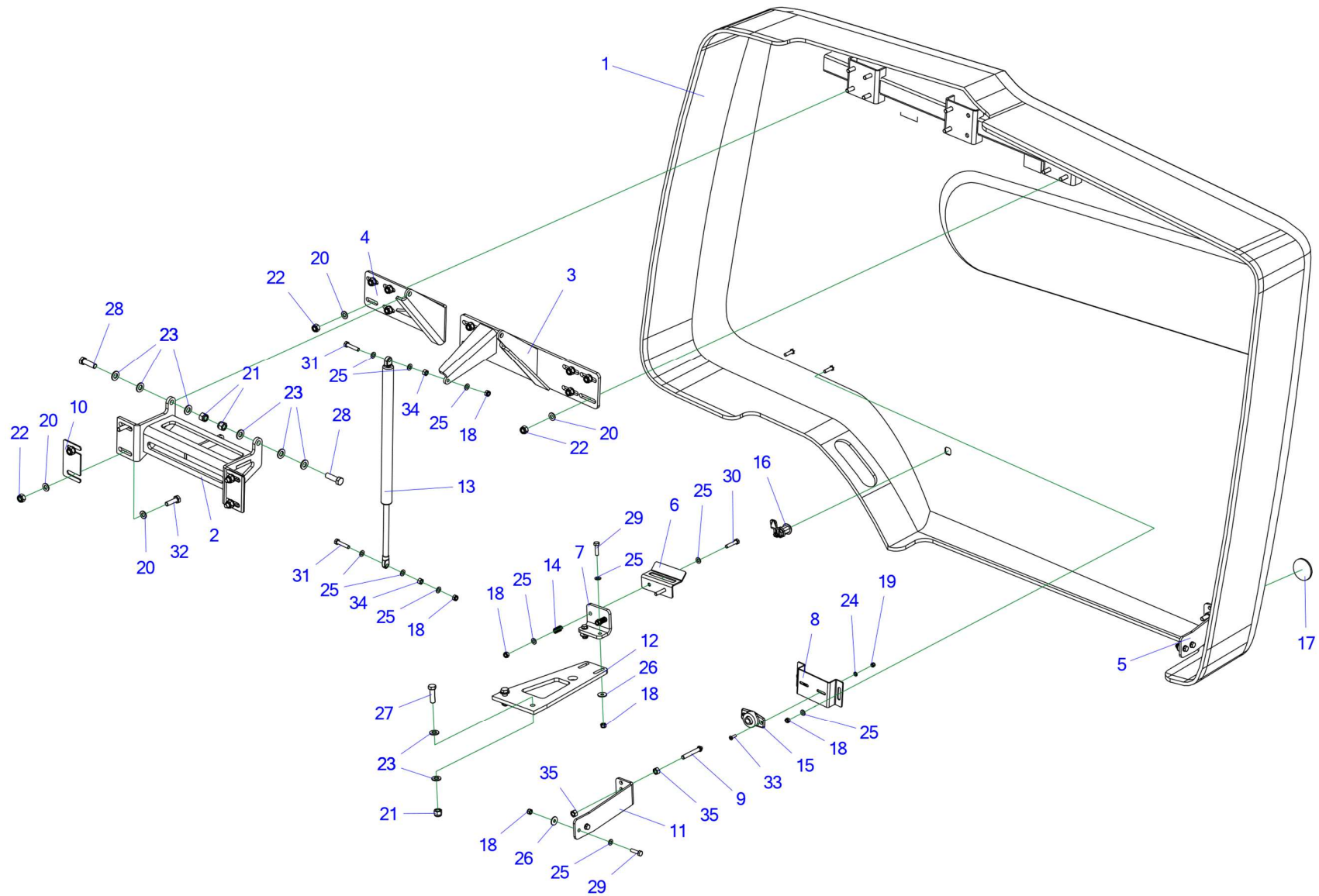


Table 48. Left plastic guard

No.	Index	Name	Quantity
1	POD-TSZ-000235 L	Cover Z587/1 left	1
2	Z587 300.270.01	Hinge	1
3	Z587 300.340.00	Left hinge I welded	1
4	Z587 300.310.00	Left hinge II welded	1
5	Z587 300.039.00	Locating bracket left front	1
6	Z587 100.048.00	Locking pawl	1
7	Z587 100.047.00	Locking bracket	1
8	Z587 100.046.01	Retaining bracket	2
9	Z587 100.038.00	Locking pin	2
10	Z587 300.056.00	Shield washer	2
11	Z587 300.040.00	Locating bracket left rear	1
12	Z587 250.028.00	Coupling plate	1
13	POD-OGL-000678	Gas spring 21720 – L750 2000N stroke 303	1
14	23SS1-15-25	Spring maz-1788	2
15	POD-OGL-000716	Door stop 25.37814CO and 25.37814BU	2
16	POD-OGL-000715	IP65 guard lock 468358 with key 468505	1
17	POD-ELK-000339	Round reflector orange No. 844	1
18	23NS8OC	Self-locking nut M8 galv., 82175 8 82175 8	14
19	23NS6OC	Self-locking nut M6 galv., 82175 8 82175 8	4
20	23P10 82005	Round washer 10 galv., 82005 82005	18
21	23NS12OC	Self-locking nut M12 galv., 82175 8 82175 8	4
22	23NS10OC	Self-locking nut M10 galv., 82175 8 82175 8	14

No.	Index	Name	Quantity
23	23P12OC	Round washer 12 galv., 82005	10
24	23P6OOC	Round washer 6 galv., 82005 82005	3
25	23P8OOC	Round washer 8 galv., 82005 82005	20
26	23P8OC 82030	Round washer 8 galv., coated 82030	6
27	POD-ELZ-000421	Bolt 12 x 40 galv., 10.9 82105	2
28	23S12/40OC	Bolt 12 x4 0 galv., 8.8 82101 82101	2
29	23S8/30OC 8.8	Bolt 8 x 30 galv., 8.8 82105 82105	6
30	23S8/40OC 8.8	Bolt 8 x 40 galv., 8.8 82105 82105	2
31	POD-ELZ-000526	Bolt 8 x 40 galv., 8.8 82101	2
32	23S10/35OC 8.8	Bolt 10 x 35 galv., 8.8 82105 82105	4
33	POD-ELZ-000754	Countersunk screw 6 x 20 galv., 8.8 82208	4
34	23N8OC	Nut M8 galv., 82144 5 82144 5	2
35	23N10OC	Nut M10 galv., 82144 5 82144 5	4

51. RIGHT PLASTIC GUARD

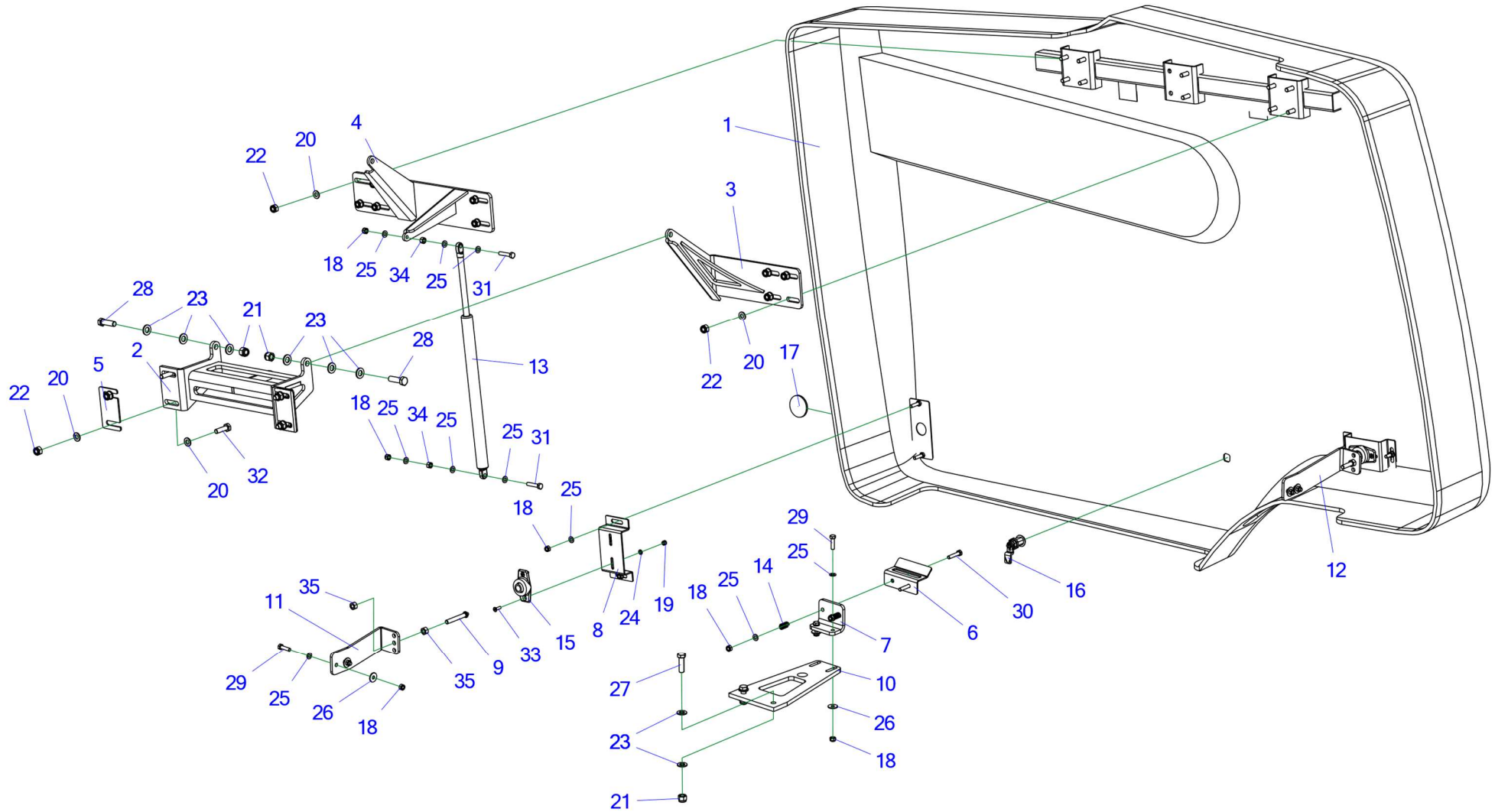


Table 49. Right plastic guard

No.	Index	Name	Quantity
1	POD-TSZ-000235 P	Shield Z587/1 right	1
2	Z587 300.270.01	Hinge	1
3	Z587 300.330.00	Welded right hinge II	1
4	Z587 300.320.00	Welded right hinge I	1
5	Z587 300.056.00	Shield washer	2
6	Z587 100.048.00	Locking pawl	1
7	Z587 100.047.00	Locking bracket	1
8	Z587 100.046.01	Retaining bracket	2
9	Z587 100.038.00	Locking pin	2
10	Z587 250.028.00	Coupling plate	1
11	Z587 300.041.00	Locating bracket, right front	1
12	Z587 300.042.00	Locating bracket, right back	1
13	POD-OGL-000678	Gas spring 21720 – L750 2000N stroke 303	1
14	23SS1-15-25	Spring maz-1788	2
15	POD-OGL-000716	Door stop 25.37814CO and 25.37814BU	2
16	POD-OGL-000715	IP65 guard lock 468358 with key 468505	1
17	POD-ELK-000339	Round reflector orange No. 844	1
18	23NS8OC	Self-locking nut M8 galv., 82175 8 82175 8	14
19	23NS6OC	Self-locking nut M6 galv., 82175 8 82175 8	4
20	23P10 82005	Round washer 10 galv., 82005 82005	18
21	23NS12OC	Self-locking nut M12 galv., 82175 8 82175 8	4
22	23NS10OC	Self-locking nut M10 galv., 82175 8 82175 8	14

No.	Index	Name	Quantity
23	23P12OC	Round washer 12 galv., 82005	10
24	23P6OOC	Round washer 6 galv., 82005 82005	4
25	23P8OOC	Round washer 8 galv., 82005 82005	20
26	23P8OC 82030	Round washer 8 galv., coated 82030	6
27	POD-ELZ-000421	Bolt 12 x 40 galv., 10.9 82105	2
28	23S12/40OC	Bolt 12 x 40 galv., 8.8 82101 82101	2
29	23S8/30OC 8.8	Bolt 8 x 30 galv., 8.8 82105 82105	6
30	23S8/40OC 8.8	Bolt 8 x 40 galv., 8.8 82105 82105	2
31	POD-ELZ-000526	Bolt 8 x 40 galv., 8.8 82101	2
32	23S10/35OC 8.8	Bolt 10 x 35 galv., 8.8 82105 82105	4
33	POD-ELZ-000754	Countersunk screw 6 x 20 galv., 8.8 82208	4
34	23N8OC	Nut M8 galv., 82144 5 82144 5	2
35	23N10OC	Nut M10 galv., 82144 5 82144 5	4

52. GUARD LEFT METAL PART 1.

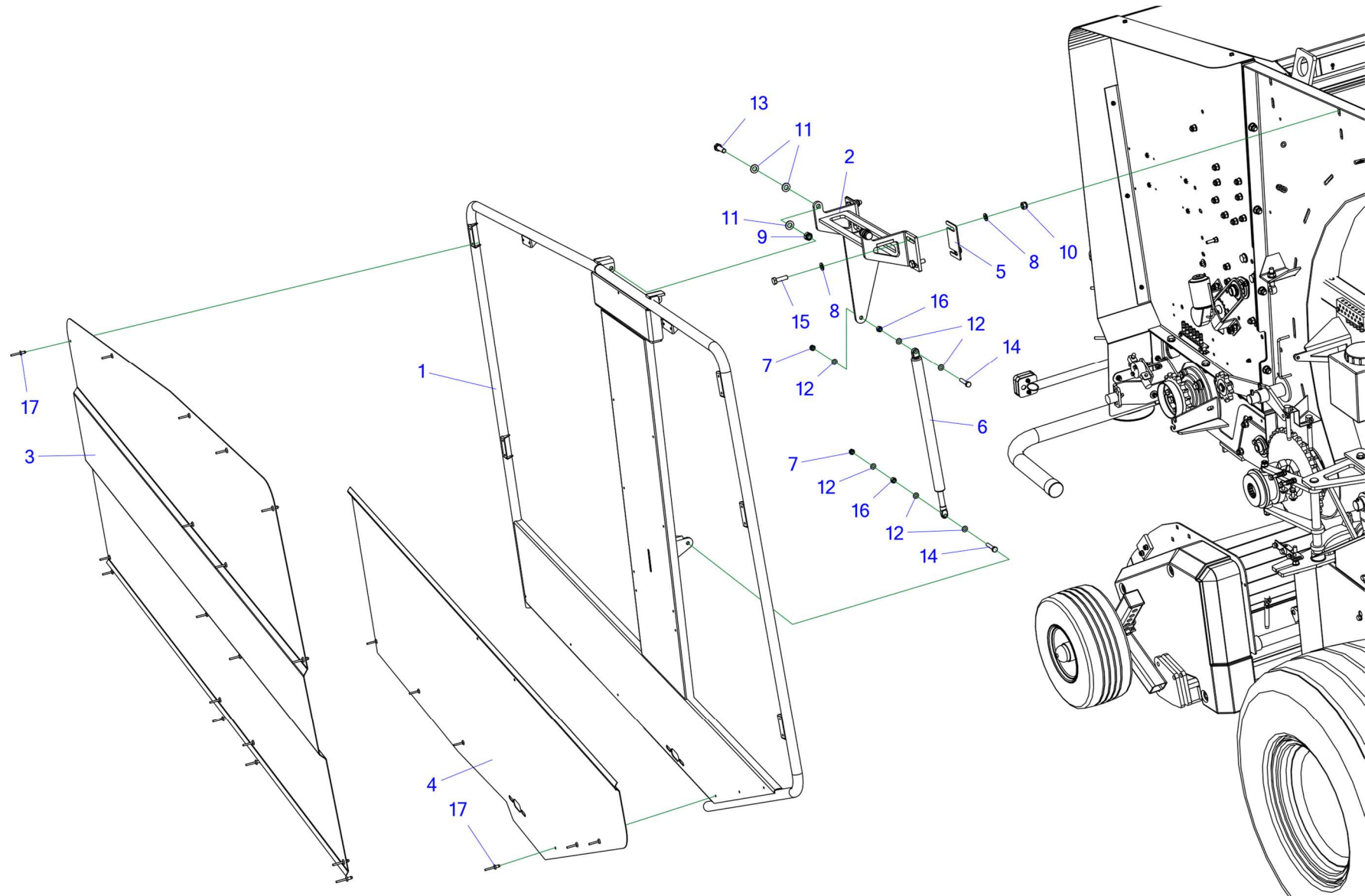


Table 50. Guard left metal part 1.

No.	Index	Name	Quantity
1	Z587 300.250.01	Left guard	1
2	Z587 300.270.01	Hinge	1
3	Z587 300.026.01	Plate I left	1
4	Z587 300.027.01	Plate II left	1
5	Z587 300.056.00	Shield washer	2
6	POD-OGL-000678	Gas spring 21720 – L750 2000N stroke 303	1
7	23NS8OC	Self-locking nut M8 galv., 82175 8 82175 8	2
8	23P10 82005	Round washer 10 galv., 82005 82005	8
9	23NS12OC	Self-locking nut M12 galv., 82175 8 82175 8	2
10	23NS10OC	Self-locking nut M10 galv., 82175 8 82175 8	4
11	23P12OC	Round washer 12 galv., 82005	6
12	23P8OOC	Round washer 8 galv., 82005 82005	6
13	23S12/40OC	Bolt 12 x 40 galv., 8.8 82101 82101	2
14	POD-ELZ-000526	Bolt 8 x 40 galv., 8.8 82101	2
15	23S10/35OC 8.8	Bolt 10 x 35 galv., 8.8 82105 82105	4
16	23N8OC	Nut M8 galv., 82144 5 82144 5	2
17	POD-ELZ-000579	Flat head rivet 6 x 10 alu-alu DIN7337A	24

53. GUARD LEFT METAL PART 2.

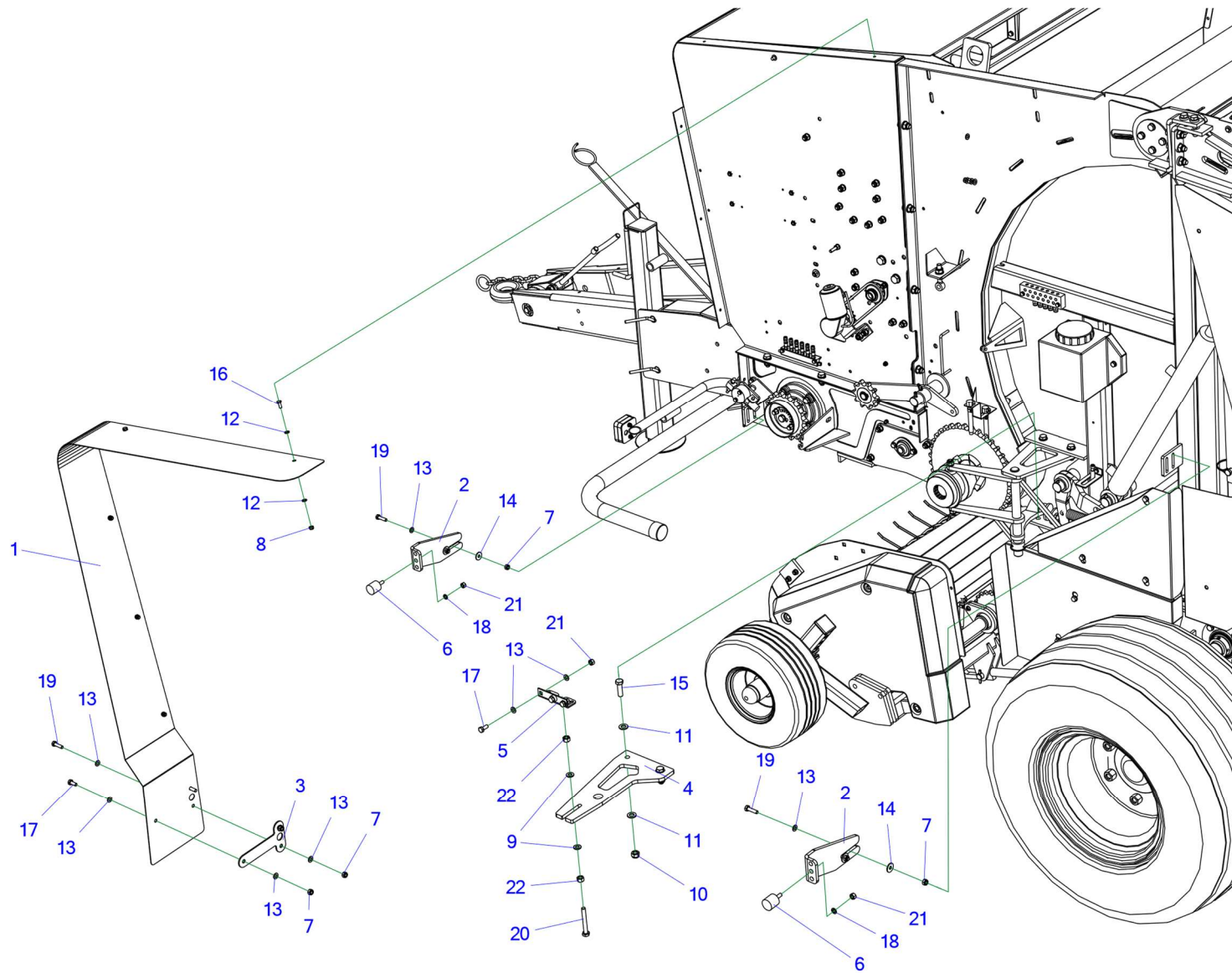


Table 51. Cover left metal part 2.

No.	Index	Name	Quantity
1	Z587 300.018.00	Left guard	1
2	Z587 220.057.01	Bumper support	2
3	Z587 300.017.00	Bracket	1
4	Z587 250.027.00	Bottom bracket	1
5	POD-OGL-000323	Closure 2812L03-1AF	1
6	POD-OGL-000319	Anti-vibration cylinder W-30-D-3	2
7	23NS8OC	Self-locking nut M8 galv., 82175 8 82175 8	7
8	23NS6OC	Self-locking nut M6 galv., 82175 8 82175 8	5
9	23P10 82005	Round washer 10 galv., 82005 82005	2
10	23NS12OC	Self-locking nut M12 galv., 82175 8 82175 8	2
11	23P12OC	Round washer 12 galv., 82005	4
12	23P6OOC	Round washer 6 galv., 82005 82005	10
13	23P8OOC	Round washer 8 galv., 82005 82005	14
14	23P8OC 82030	Round washer 8 galv., coated 82030	4
15	POD-ELZ-000421	Bolt 12 x 40 galv., 10.9 82105	2
16	23S6/16 8.8OC	Bolt 6 x 16 galv., 8.8 82105 82105 8.8	5
17	23S8/20OC 8.8	Bolt 8 x 20 galv., 8.8 82105 82105	3
18	23P8SPOC	Spring washer 8.2 galv., 82008 82008	2
19	23S8/30OC 8.8	Bolt 8 x 30 galv., 8.8 82105 82105	6
20	POD-ELZ-000452	Bolt 10 x 80 galv., 8.8 82101	1
21	23N8OC	Nut M8 galv., 82144 5 82144 5	4
22	23N10OC	Nut M10 galv., 82144 5 82144 5	2

54. RIGHT METAL GUARD PART 1.

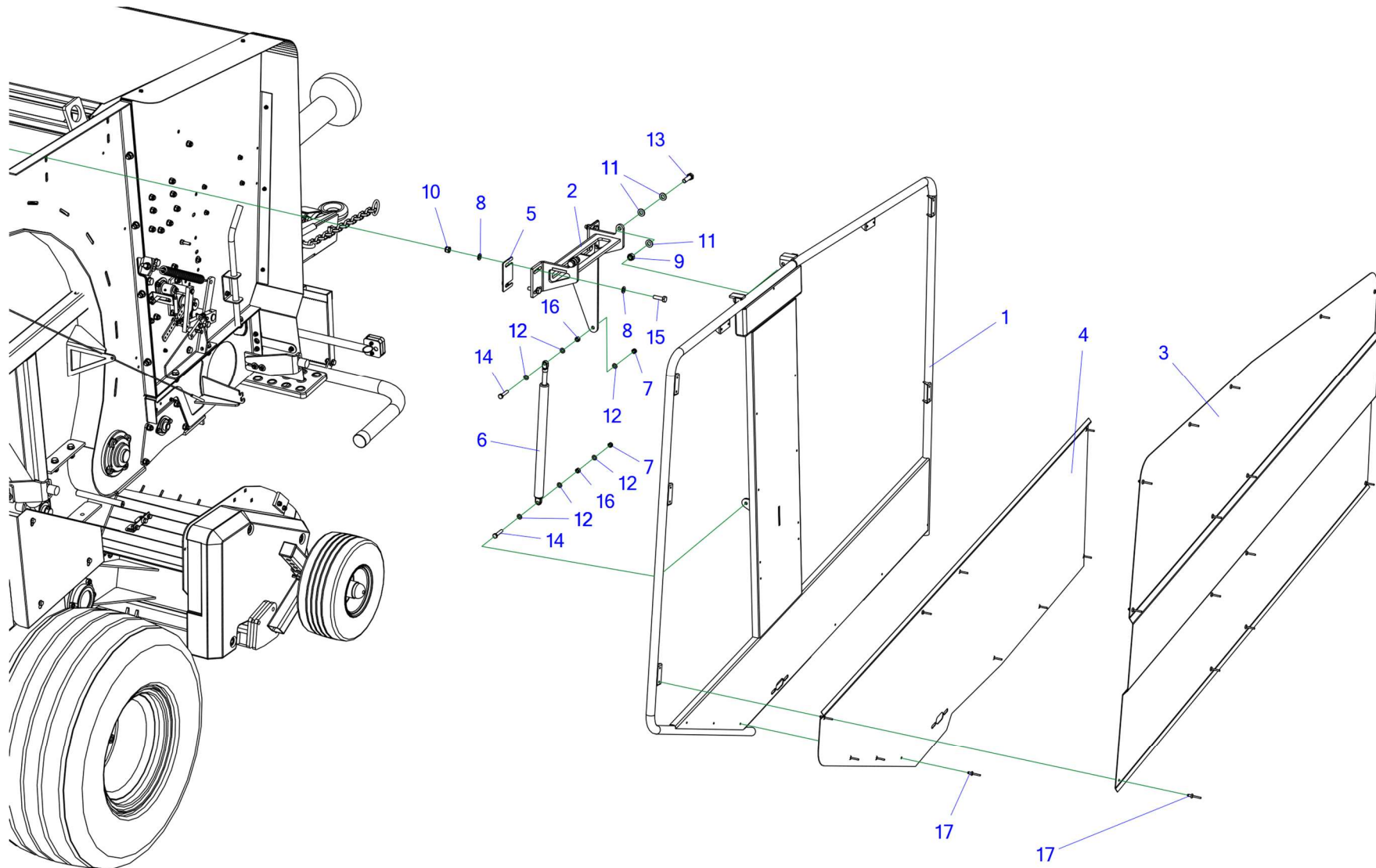


Table 52. Right metal guard part 1.

No.	Index	Name	Quantity
1	Z587 300.260.01	Right guard	1
2	Z587 300.270.01	Hinge	1
3	Z587 300.029.01	Right plate I	1
4	Z587 300.030.01	Right plate II	1
5	Z587 300.056.00	Shield washer	2
6	POD-OGL-000678	Gas spring 21720 – L750 2000N stroke 303	1
7	23NS8OC	Self-locking nut M8 galv., 82175 8 82175 8	3
8	23P10 82005	Round washer 10 galv., 82005 82005	8
9	23NS12OC	Self-locking nut M12 galv., 82175 8 82175 8	2
10	23NS10OC	Self-locking nut M10 galv., 82175 8 82175 8	4
11	23P12OC	Round washer 12 galv., 82005	6
12	23P8OOC	Round washer 8 galv., 82005 82005	7
13	23S12/40OC	Bolt 12 x 40 galv., 8.8 82101 82101	2
14	POD-ELZ-000526	Bolt 8 x 40 galv., 8.8 82101	2
15	23S10/35OC 8.8	Bolt 10 x 35 galv., 8.8 82105 82105	4
16	23N8OC	Nut M8 galv., 82144 5 82144 5	3
17	POD-ELZ-000579	Flat head rivet 6 x 10 alu-alu DIN7337A	24

55. RIGHT METAL GUARD PART 2.

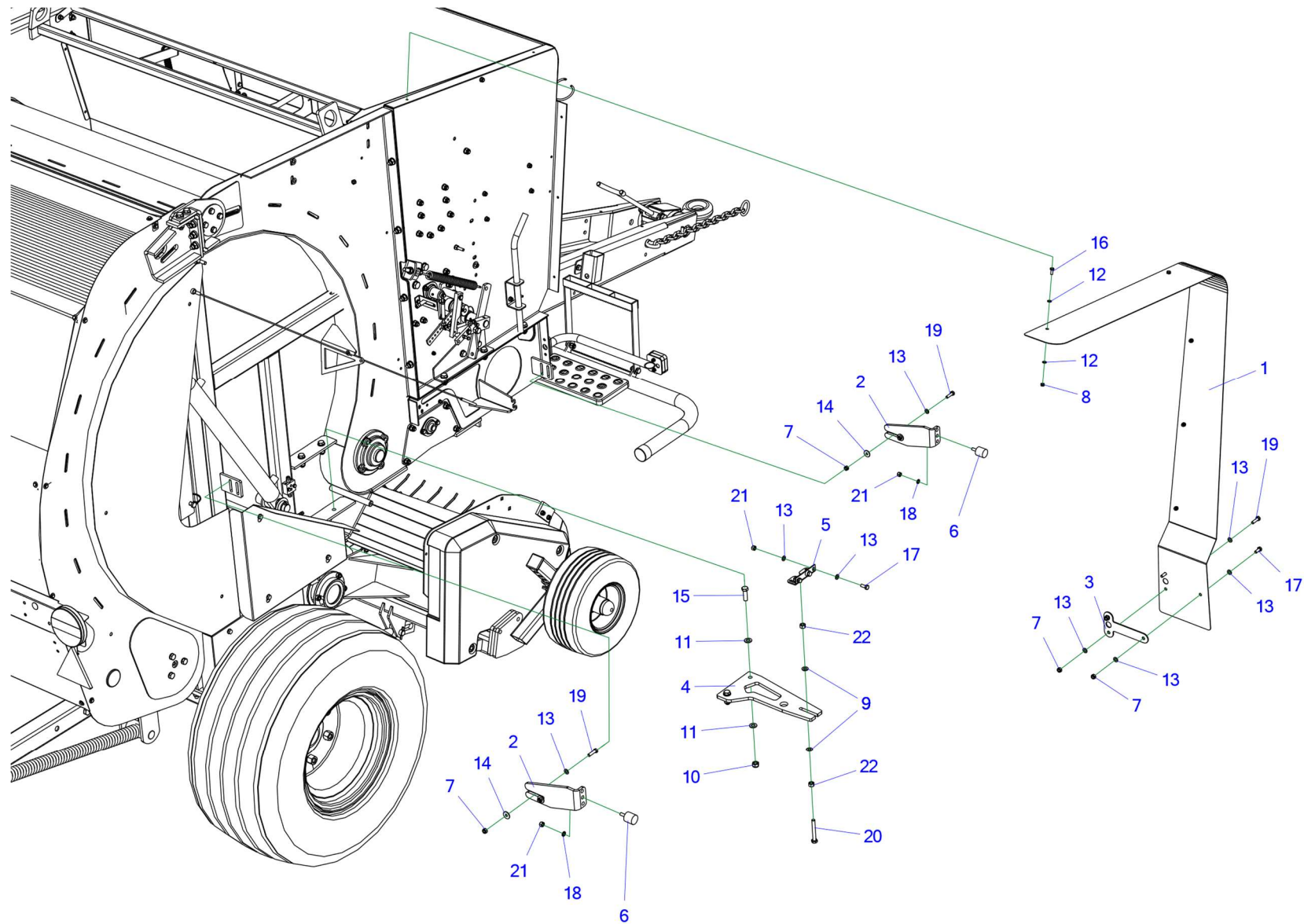


Table 53. Right metal guard part 2.

No.	Index	Name	Quantity
1	Z587 300.019.00	Right guard	1
2	Z587 220.057.01	Bumper support	2
3	Z587 300.017.00	Bracket	1
4	Z587 250.027.00	Bottom bracket	1
5	POD-OGL-000323	Closure 2812L03-1AF	1
6	POD-OGL-000319	Anti-vibration cylinder W-30-D-3	2
7	23NS8OC	Self-locking nut M8 galv., 82175 8 82175 8	7
8	23NS6OC	Self-locking nut M6 galv., 82175 8 82175 8	5
9	23P10 82005	Round washer 10 galv., 82005 82005	2
10	23NS12OC	Self-locking nut M12 galv., 82175 8 82175 8	2
11	23P12OC	Round washer 12 galv., 82005	4
12	23P6OOC	Round washer 6 galv., 82005 82005	10
13	23P8OOC	Round washer 8 galv., 82005 82005	14
14	23P8OC 82030	Round washer 8 galv., coated 82030	4
15	POD-ELZ-000421	Bolt 12 x 40 galv., 10.9 82105	2
16	23S6/16 8.8OC	Bolt 6 x 16 galv., 8.8 82105 82105 8.8	5
17	23S8/20OC 8.8	Bolt 8 x 20 galv., 8.8 82105 82105	3
18	23P8SPOC	Spring washer 8.2 galv., 82008 82008	2
19	23S8/30OC 8.8	Bolt 8 x 30 galv., 8.8 82105 82105	6
20	POD-ELZ-000452	Bolt 10 x 80 galv., 8.8 82101	1
21	23N8OC	Nut M8 galv., 82144 5 82144 5	4
22	23N10OC	Nut M10 galv., 82144 5 82144 5	2

56. FRONT GUARDS

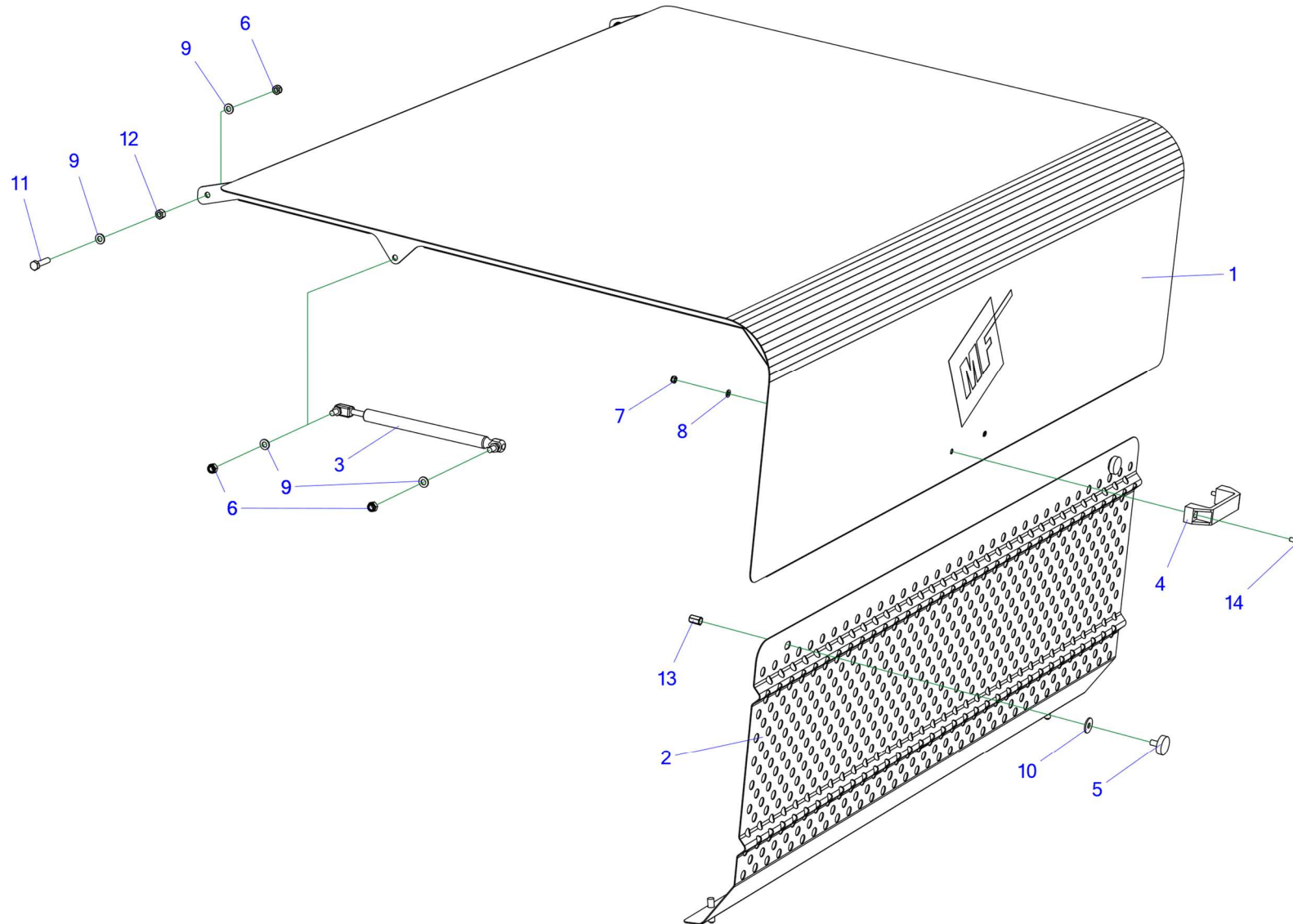


Table 54. Front guards

No.	Index	Name	Quantity
1*	Z587 300.350.00	Welded front guard	1
2	Z587 300.240.00	Welded front guard	1
3	POD-OGL-000721	Gas spring 21986	2
4	POD-OGL-000379	Holder N272 M.443-140-6-N-CH	1
5	POD-ELZ-000552	Knurled knob M8 x 15 dia. 26	2
6	23NS8OC	Self-locking nut M8 galv., 82175 8 82175 8	6
7	23NS6OC	Self-locking nut M6 galv., 82175 8 82175 8	2
8	23P6OOC	Round washer 6 galv., 82005 82005	2
9	23P8OOC	Round washer 8 galv., 82005 82005	8
10	23P8OC 82030	Round washer 8 galv., coated 82030	2
11	23S8/35OC 8.8	Bolt 8 x 35 galv., 8.8 82105 82105	2
12	23N8OC	Nut M8 galv., 82144 5 82144 5	2
13	POD-ELZ-000558	Blind rivet nut M8 steel Hexagonal	2
14	POD-ELZ-000572	Mushroom head bolt Allen 6 x 20 ISO 7380 galv., 8.8	2

*Front guard for balers with plastic covers: Z587 300.350.00

Front guard for balers with metal guards: Z587 300.210.00

57. REAR COVERS

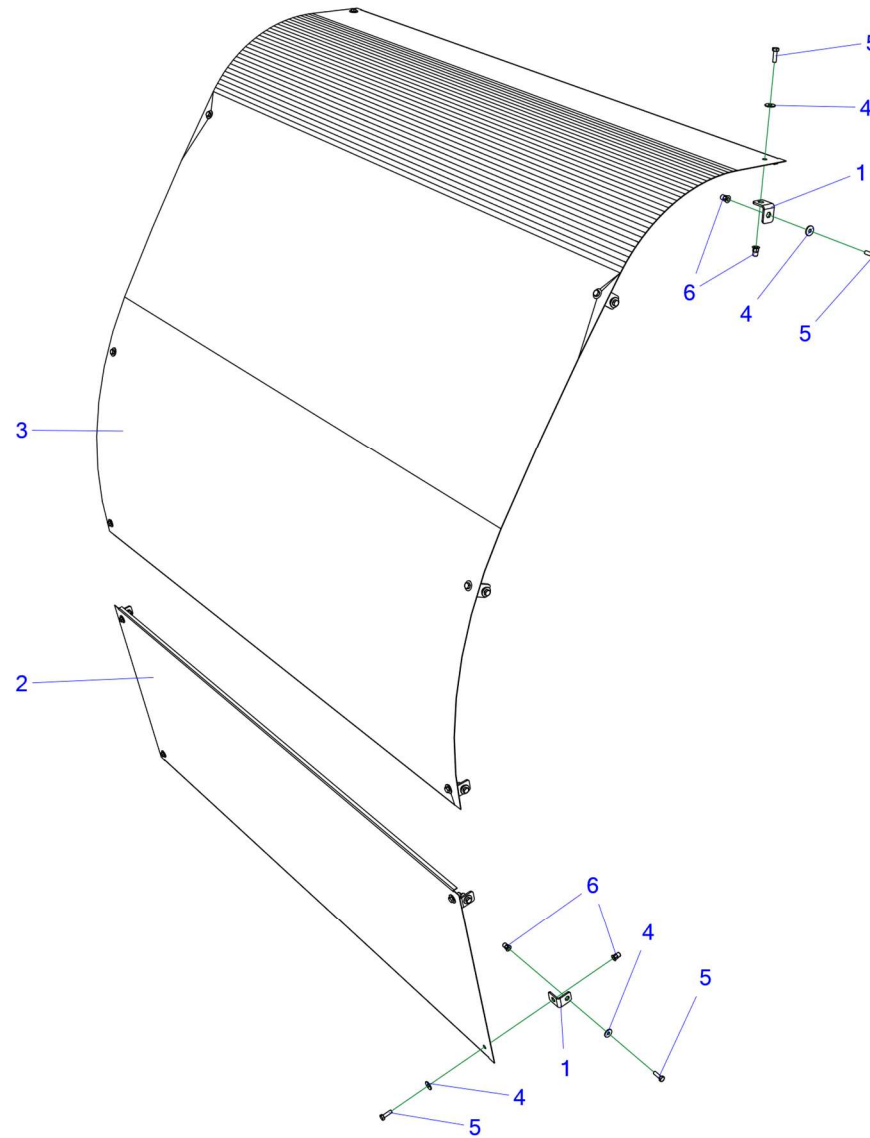


Table 55. Rear covers

No.	Index	Name	Quantity
1	Z587 300.015.00	Angle brace	12
2	Z587 300.012.00	Rear compartment guard II	1
3	Z587 300.011.01	Rear compartment guard I	1
4	23P6OC030	Round washer 6 galv., coated 82030	24
5	23S6/20	Bolt 6 x 20 galv., 8.8 82105 82105 8.8	24
6	POD-ELZ-000814	M6 hexagon rivet nut with countersunk head	24

58. SIDE GUARD LEFT

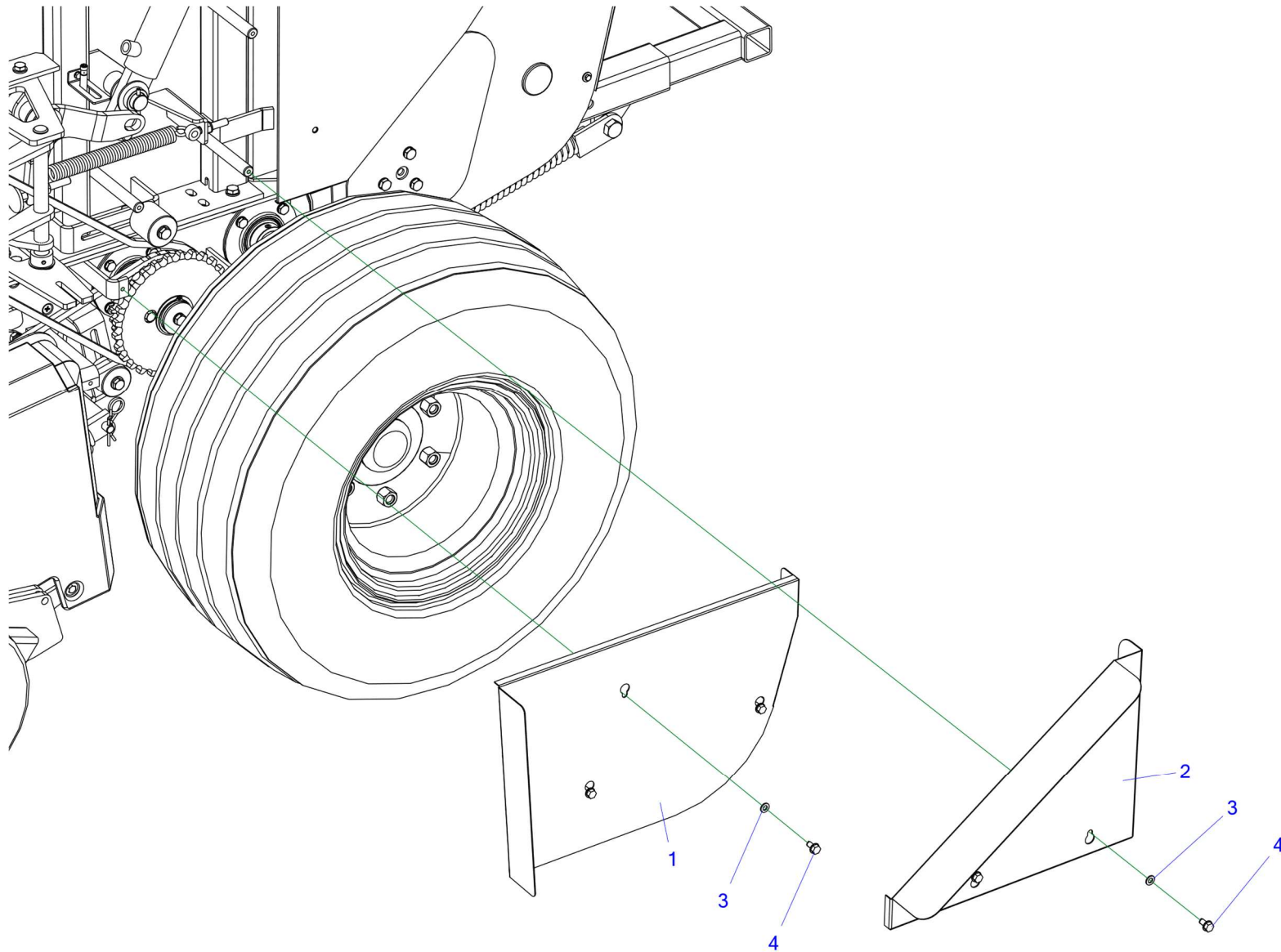


Table 56. Side guard left

No.	Index	Name	Quantity
1	Z587 300.006.00	Guard II	1
2*	Z587 300.036.00	Guard III	1
3	23P8OOC	Round washer 8 galv., 82005 82005	6
4	POD-ELZ-000565	Self-forming screw 8 x 16 galv.,DIN 7500D-six	6

* Guard for balers with plastic covers: Z587 300.037.00

Guard for balers with metal guards: Z587 300.036.00

59. SIDE GUARDS RIGHT

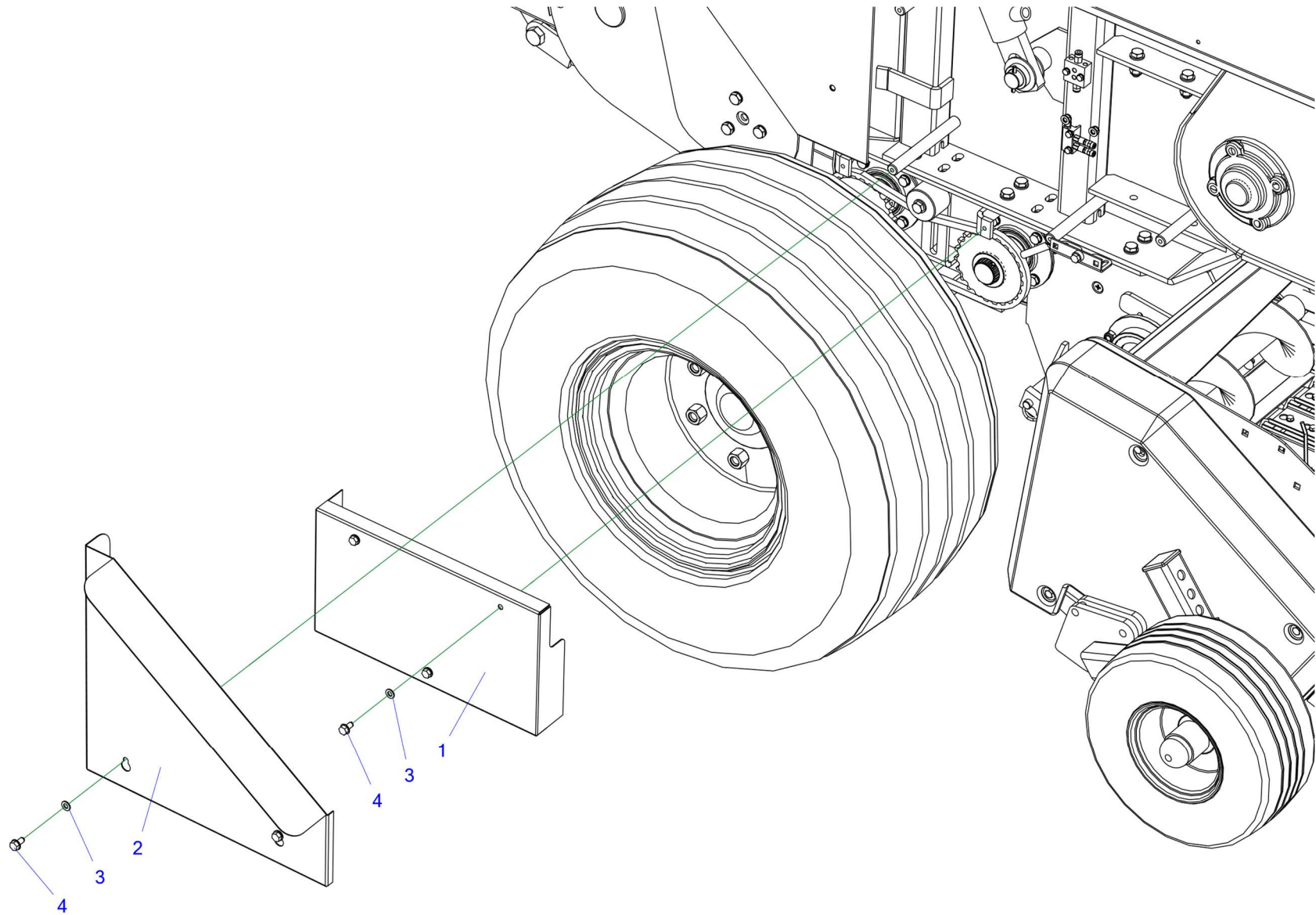


Table 57. Side guards right

No.	Index	Name	Quantity
1	Z587 100.010.01	Drive guard II	1
2*	Z587 300.016.00	Guard I	1
3	23P8OOC	Round washer 8 galv., 82005 82005	6
4	POD-ELZ-000565	Self-forming screw 8 x 16 galv.,DIN 7500D-six	6

* Guard for balers with plastic covers: Z587 300.038.00

Guard for balers with metal guards: Z587 300.016.00

60. WHEEL CHOCKS

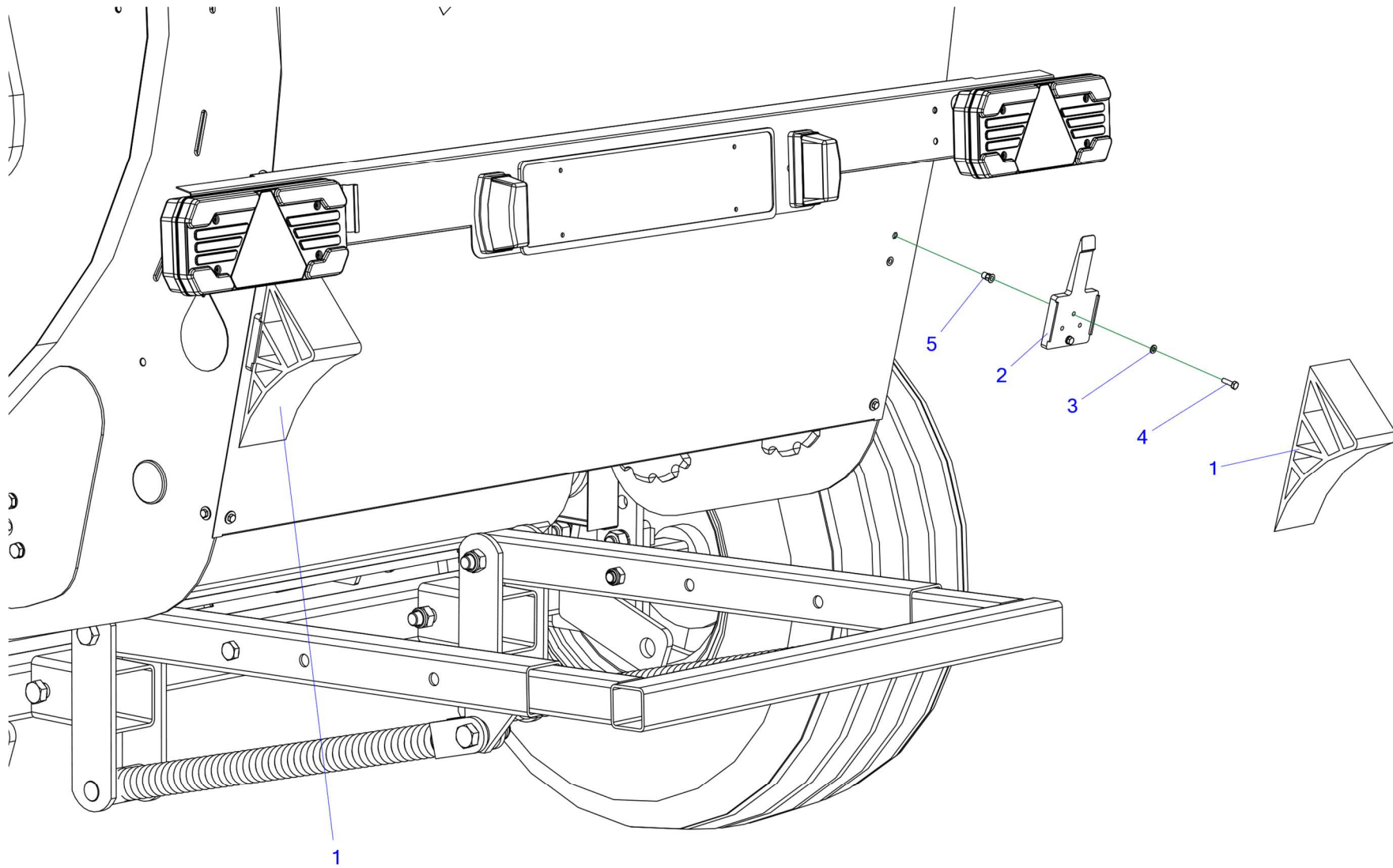


Table 58. Wheel chocks

No.	Index	Name	Quantity
1	POD-OGL-000416	Wheel chock UK-10 B07V00070R	2
2	POD-OGL-000417	Wedge holder UK-10	2
3	23P6OOC	Round washer 6 galv., 82005 82005	4
4	23S6/20	Bolt 6 x 20 galv., 8.8 82105 82105 8.8	4
5	POD-ELZ-000814	M6 hexagon rivet nut with countersunk head	4

NOTES

A series of horizontal dotted lines for taking notes, spanning the width of the page.



Metal-Fach Sp. z o.o. is constantly improving its products and adjusting its package to the needs of its customers, so it reserves the right to make changes to its product range without notice. Therefore, before making your purchase decision, please contact an authorised dealer or sales representative of Metal-Fach Sp. z o.o.

Metal-Fach Sp. z o.o. will not accept any complaints regarding the data and pictures contained in the catalogue, as the presented range of products does not constitute an offer within the meaning of the provisions of the Civil Code.

The pictures do not necessarily show standard accessories.

Original spare parts are available from authorised dealers, both in Poland and abroad, and also at the Metal-Fach retail outlet.

TECHNICAL SERVICE

16-100 Sokółka, ul. Kresowa 62
Telephone: +48 85 711 07 80; Fax: +48 85 711 07 93
serwis@metalfach.com.pl

SALES

16-100 Sokółka, ul. Kresowa 62
tel. +48 85 711 07 78; Fax: +48 85 711 07 89
handel@metalfach.com.pl

SPARE PARTS WHOLESAL STORE

16-100 Sokółka, ul. Kresowa 62

Wholesale:

Telephone: +48 85 711 07 80; Fax: +48 85 711 07 93
serwis@metalfach.com.pl

Retail:

Telephone: +48 85 711 07 80; Fax: +48 85 711 07 93
serwis@metalfach.com.pl