



**METAL-FACH**



**MANURE SPREADER  
“TAURUS”**

**N272/1, N272/2**

**PARTS CATALOGUE**

**EDITION I.**

**December 2019**



Information included in the catalogue is valid as of the date of its preparation. The manufacturer reserves its right to make design changes to machines, and due to this, some values or illustrations might not correspond to the actual state of the machine supplied to the user. The manufacturer reserves its right to make design changes without changing this catalogue.

## Table of Contents

1. HITCH AND SUPPORT FOOT.....	7
2. FRAME AND BODY (WHEEL CHOCKS).....	11
3. FRAME AND BODY (MUDGUARDS).....	13
4. SHELL AND FRONT GATE.....	15
5. LADDER AND PANEL ENDS.....	17
6. INSTALLATION OF AN INSPECTION WINDOW .....	19
7. FRONT EXTENSION AND SIDE NET EXTENSIONS.....	21
8. FRONT EXTENSION AND SIDE SHEET METAL EXTENSIONS.....	23
9. REAR TAILGATE.....	25
10. LEFT AUGER OF THE 2-ROTOR VERTICAL ADAPTER.....	27
11. 2-ROTOR VERTICAL ADAPTER.....	29
12. AUGER OF THE 4-ROTOR VERTICAL ADAPTER.....	33
13. 4-ROTOR VERTICAL ADAPTER.....	35
14. AUGER OF THE 2-ROTOR HORIZONTAL DISC ADAPTER.....	39
15. HORIZONTAL 2-ROTOR DISC ADAPTER.....	41
16. LIGHT BAR, COMPLETE .....	65
17. RUN BAR (MANSFIELD BAR), COMPLETE (OPTIONAL).....	69

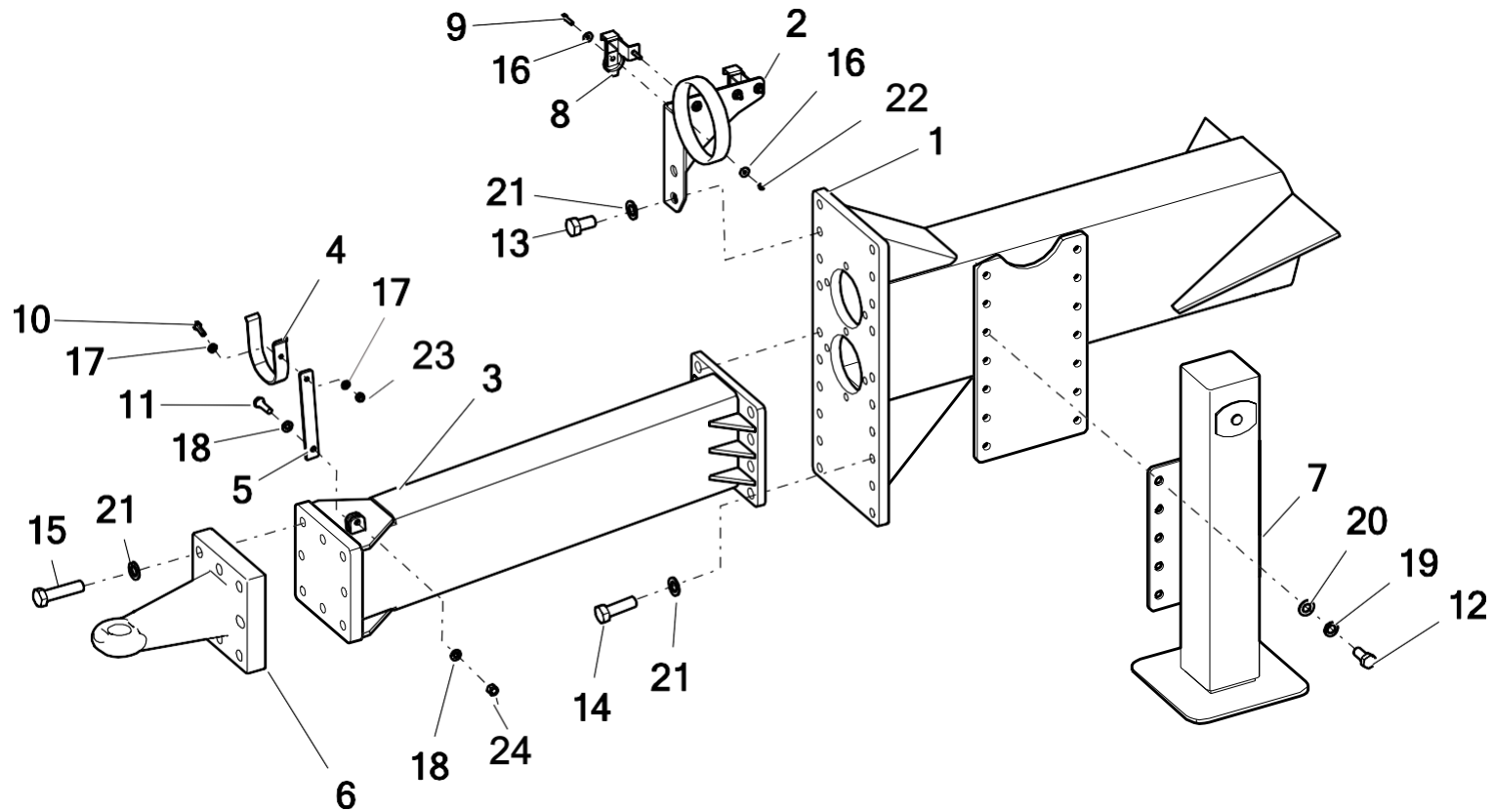
18. TAILGATE (2- AND 4-ROTOR VERTICAL ADAPTER).....	71
19. TAILGATE OF THE 2-ROTOR HORIZONTAL DISC ADAPTER.....	75
20. SYNCHRONISER SHAFT, COMPLETE .....	79
21. DRIVE SYSTEM OF THE 4-ROTOR VERTICAL ADAPTER.....	81
22. DRIVE SYSTEM OF THE 2-ROTOR VERTICAL AND HORIZONTAL DISC ADAPTERS .....	85
23. REAR ROLLER .....	89
24. FLOOR CONVEYOR .....	93
25. TENSIONER, COMPLETE.....	95
26. TANDEM TYPE SUSPENSION .....	97
27. HANDBRAKE, COMPLETE .....	99
28. ELECTRIC SYSTEM .....	101
29. ELECTRIC SYSTEM .....	103
30. PNEUMATIC BRAKING SYSTEM.....	105
31. PNEUMATIC BRAKING SYSTEM WITH ALB.....	111
32. HYDRAULIC BRAKING SYSTEM.....	117
33. HYDRAULIC-PNEUMATIC BRAKING SYSTEM.....	121
34. HYDRAULIC-PNEUMATIC BRAKING SYSTEM WITH ALB.....	131
35. BRAKE VALVE, COMPLETE – KNORR .....	141



36. BRAKE VALVE, COMPLETE – HALDEX.....	143
37. FOUR-SECTION HYDRAULIC SYSTEM, COMPLETE.....	145
38. FOUR-SECTION HYDRAULIC SYSTEM - Guard section of the vertical adapter.....	147
39. FOUR-SECTION HYDRAULIC SYSTEM - Guard section of the horizontal adapter .....	151
40. FOUR-SECTION HYDRAULIC SYSTEM - Tailgate section.....	155
41. FOUR-SECTION HYDRAULIC SYSTEM - Floor conveyor section .....	159
42. FOUR-SECTION HYDRAULIC SYSTEM - Hydraulic foot section.....	163
43. FOUR-SECTION HYDRAULIC SYSTEM WITH A DISTRIBUTOR, COMPLETE.....	165
44. FOUR-SECTION HYDRAULIC SYSTEM WITH A DISTRIBUTOR - Guard section of the vertical adapter.....	167
45. FOUR-SECTION HYDRAULIC SYSTEM WITH A DISTRIBUTOR - Guard section of the horizontal adapter .....	171
46. FOUR-SECTION HYDRAULIC SYSTEM WITH A DISTRIBUTOR - Tailgate section .....	175
47. FOUR-SECTION HYDRAULIC SYSTEM WITH A DISTRIBUTOR - Floor conveyor section.....	177
48. FOUR-SECTION HYDRAULIC SYSTEM WITH A DISTRIBUTOR - Support foot section .....	181
49. FOUR-SECTION HYDRAULIC SYSTEM WITH A DISTRIBUTOR - Control section.....	183
50. FOUR-SECTION HYDRAULIC SYSTEM WITH A DISTRIBUTOR - Distributor section .....	187
51. NOTES .....	189

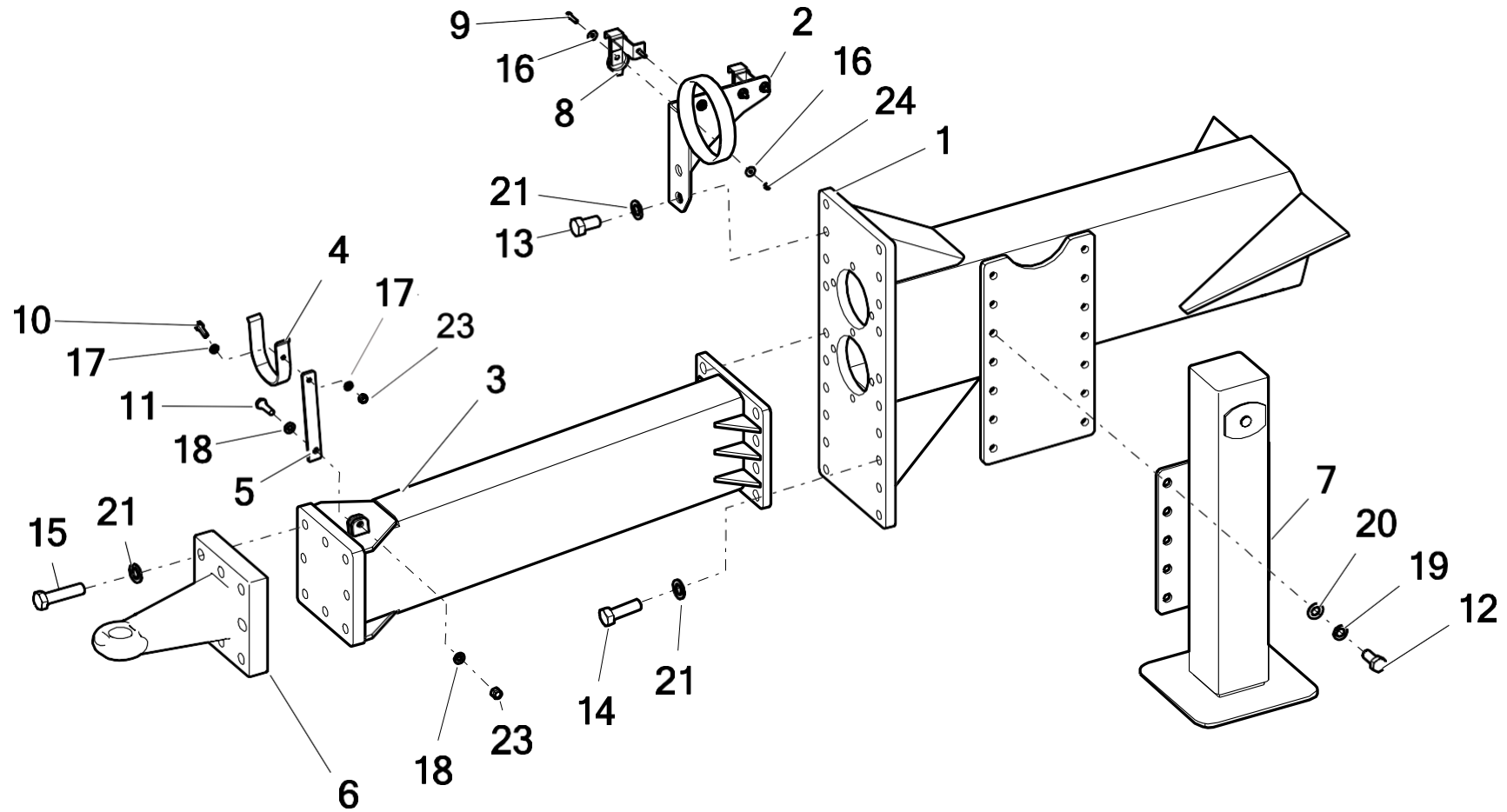


# 1. HITCH AND SUPPORT FOOT



No.	Part or assembly name	Fig. or index No.			
		N272/1	Volume	N272/2	Volume
1	Lower frame	N272 01.00.00.1	1	N272 01.00.00.1	1
2	Wiring support	N272 01.08.00	1	N272 01.08.00	1
3	Screw-on hitch	N272 01.07.00.1	1	N272 01.07.00.1	1
4	Support eye	N267 02.03.302	1	N267 02.03.302	1
5	Roller support arm	N267 02.03.405	1	N267 02.03.405	1
6*	Drawbar eye Ø40	POD-ODL-000039	1	POD-ODL-000039	1
7	Hydraulic foot	N274 16.01.00	1	N274 16.01.00	1
8	Pneumatic Connector Holder	POD-OGL-000573	2	POD-OGL-000573	2
9	Bolt M6 x 25 galv. 8.8 82105	23S6/25OC 105	4	23S6/25OC 105	4
10	Bolt 8 x 25 galv. 8.8 82105 82105	23S8/25OC8.8	1	23S8/25OC8.8	1
11	Bolt 10 x 35 galv. 8.8 82105 82105	23S10/35OC 8.8	1	23S10/35OC 8.8	1
12	Screw 16 x 35 galv. 8.8 82105 82105	23S16/35 8.8OC	10	23S16/35 8.8OC	10
13	Bolt 20 x 35 galv. 8.8 82105	POD-ELZ-000758	2	POD-ELZ-000758	2
14	Bolt 20 x 60 galv. 10.9 82101 82101	23S20/60 10.9	8	23S20/60 10.9	8
15	Screw 20 x 80 galv. 10.9 82101 82101	23S20/80 10.9	8	23S20/80 10.9	8

# 1. HITCH AND SUPPORT FOOT



No.	Part or assembly name	Fig. or index No.			
		N272/1	Volume	N272/2	Volume
16	Round washer 6 galv. coated 82030	23P6OC030	8	23P6OC030	8
17	Round washer 8 galv. 82005 82005	23P8OOC	2	23P8OOC	2
18	Round washer 30 galv. 82005 82005	23P10 82005	2	23P10 82005	2
19	Round washer 16 galv. 82005 82005	23P16OOC	10	23P16OOC	10
20	Spring washer 16.3 galv. 82008 82008	23P16SP	10	23P16SP	10
21	Spring washer, 20.5 galv. 82008 82008	23P20SP	16	23P20SP	16
22	Self-locking nut M6 galv. 82175 8 82175 8	23NS6OC	4	23NS6OC	4
23	Self-locking nut M8 galv. 82175 8 82175 8	23NS8OC	1	23NS8OC	1
24	Self-locking nut M10 galv. 82175 8 82175 8	23NS10OC	1	23NS10OC	1

**Key:**

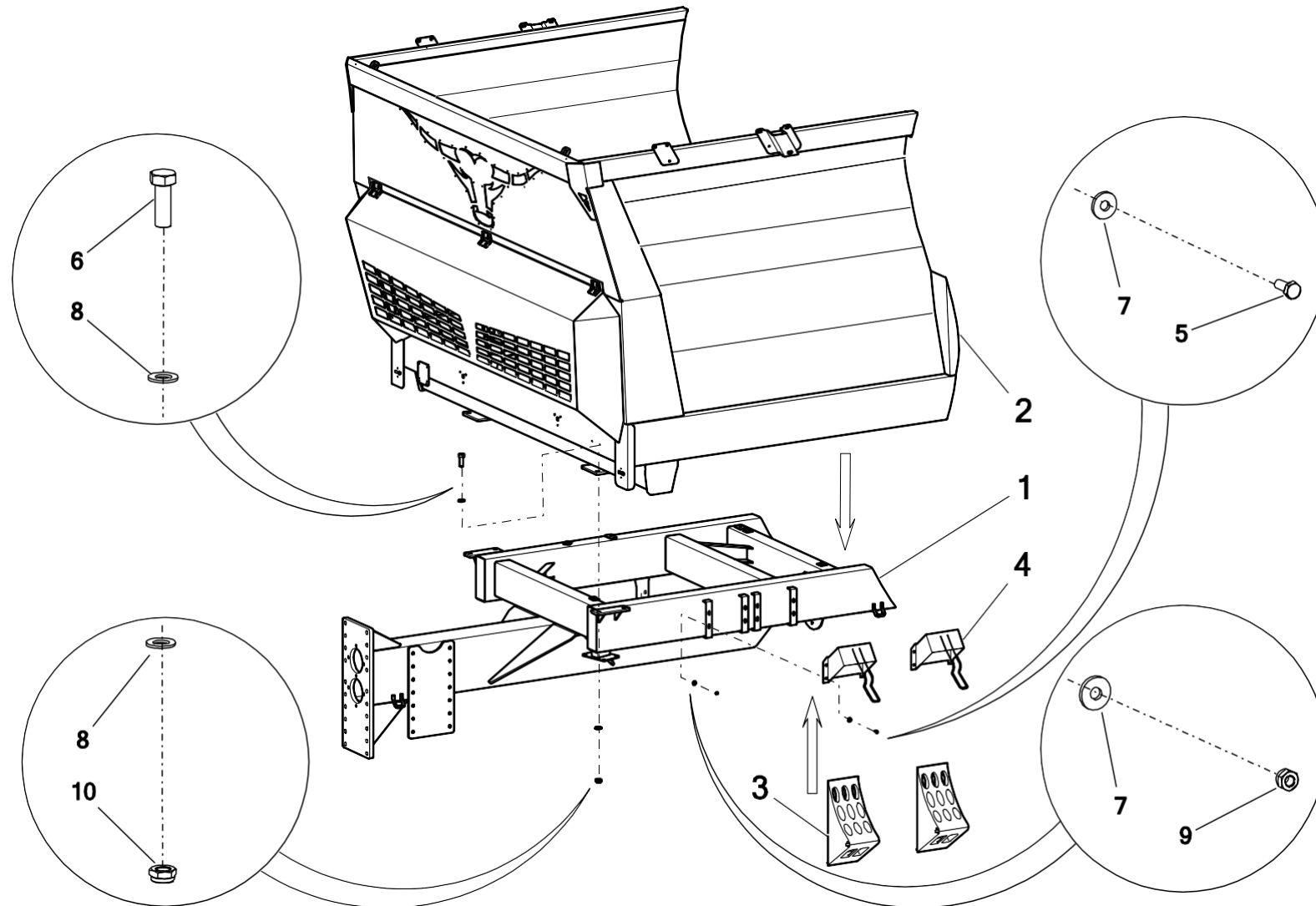
6\* - OPTIONAL:

POD-ODL-000039 - **Hitch 00.654.22.1** (fixed drawbar eye Ø 40)

POD-ODL-000058 - **Hitch 00.654.43.0** (rotary drawbar eye Ø 50)

POD-ODL-000066 - **Hitch 00.650.90-1** (K80 ball hitch)

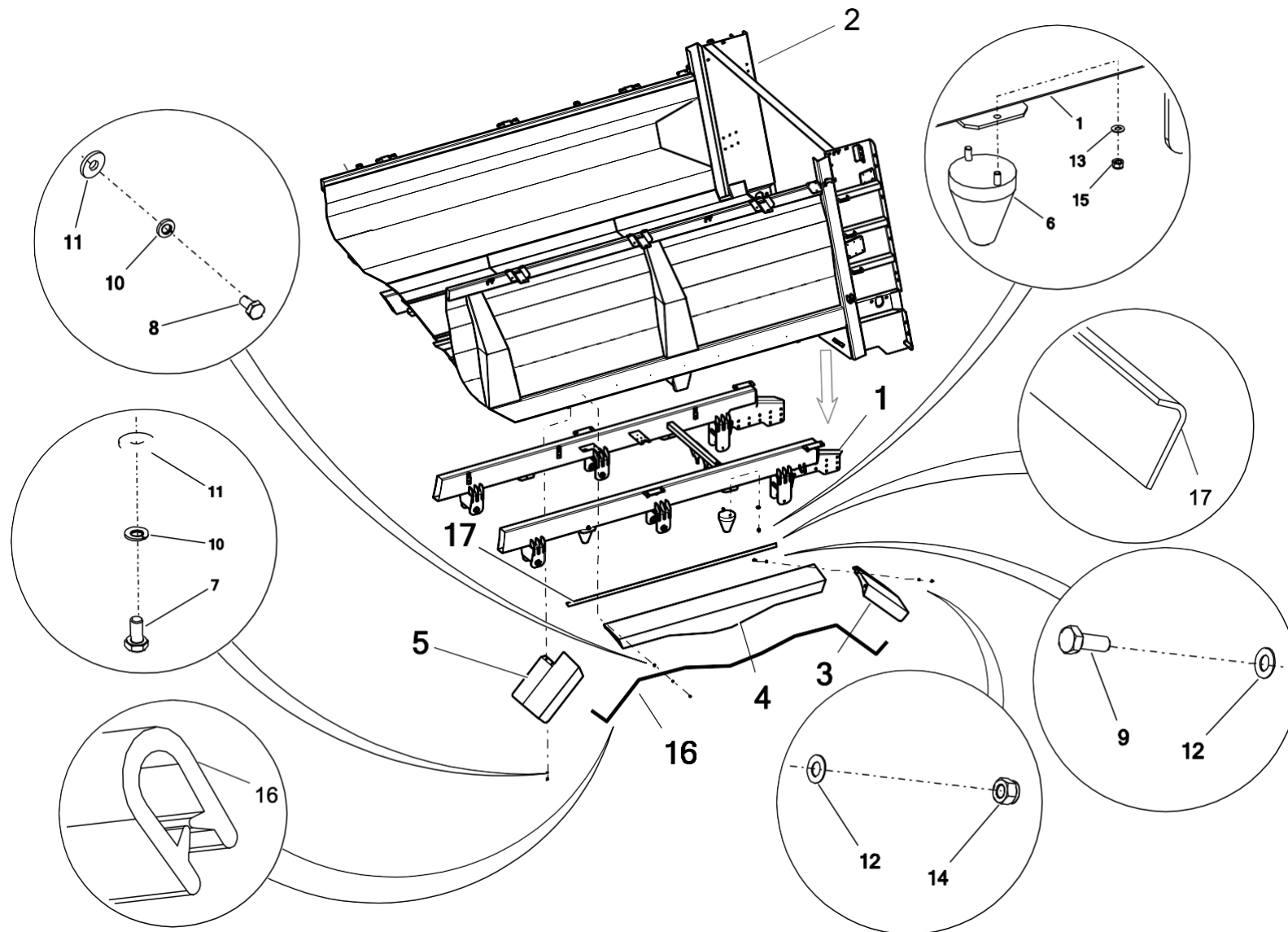
## 2. FRAME AND BODY (WHEEL CHOCKS)



No.	Part or assembly name	Fig. or index No.			
		N272/1	Volume	N272/2	Volume
1	Lower frame	N272 01.00.00	1	N272 01.00.00	1
2	Body	N272-1 03.01.00.5	1	N272 03.01.00	1
3	Wheel chock	POD-OGL-000027-1	2	POD-OGL-000027-1	2
4	Chock grip	POD-OGL-000028-1	2	POD-OGL-000028-1	2
5	Bolt 6 x 16 galv. 8.8 82105 82105 8.8	23S6/16 8.8OC	8	23S6/16 8.8OC	8
6	Screw 16 x 45 galv. 8.8 82105 82105	23S16/45OC	16	23S16/45OC	16
7	Round washer 6 galv. coated 82030	23P6OC030	16	23P6OC030	16
8	Round washer 16 galv. 82005 82005	23P16OOC	32	23P16OOC	32
9	Self-locking nut M6 galv. 82175 8 82175 8	23NS6OC	8	23NS6OC	8
10	Self-locking nut M16 galv. 82175 8 82175 8	23NS16OC	16	23NS16OC	16

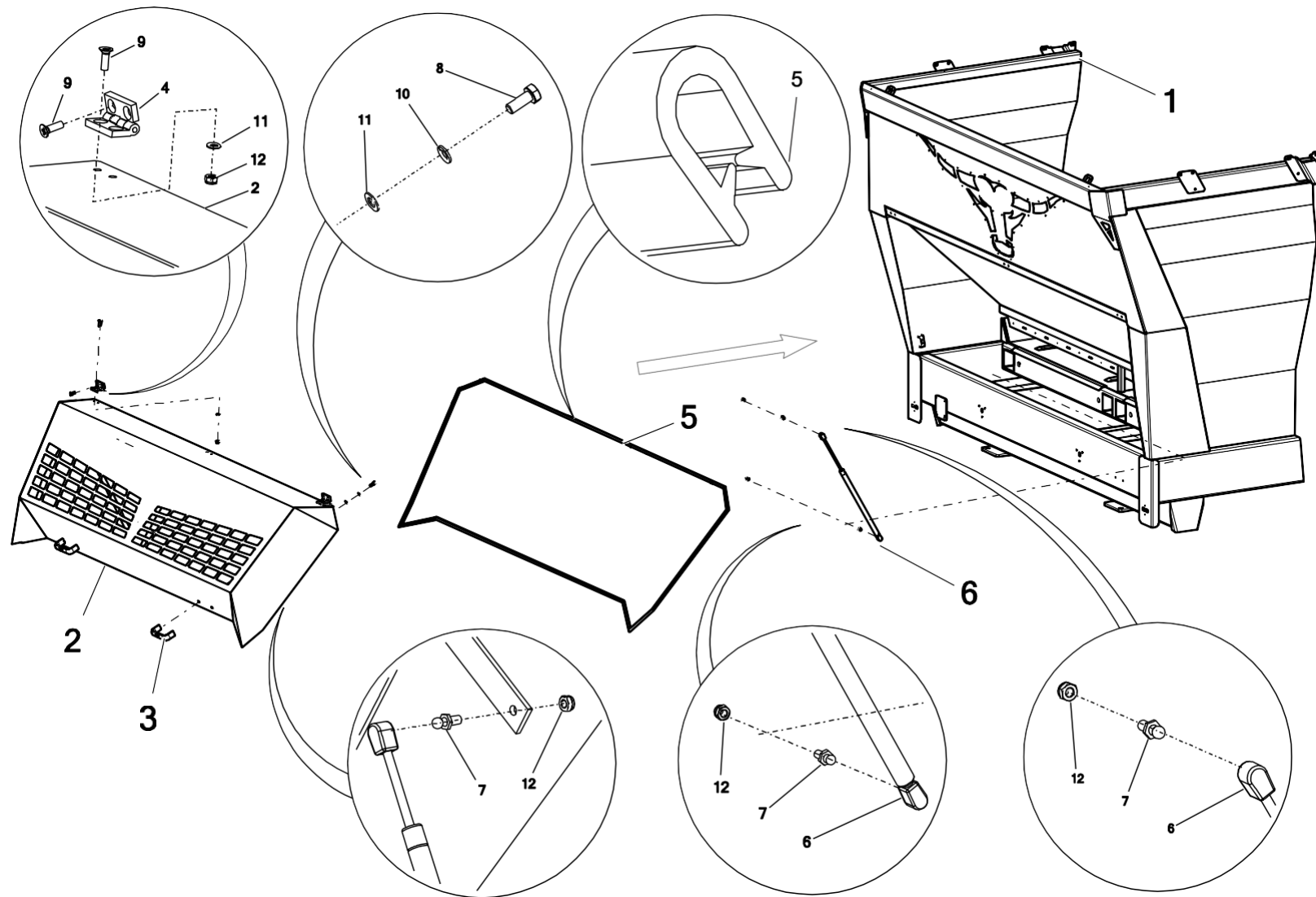


### 3. FRAME AND BODY (MUDGUARDS)



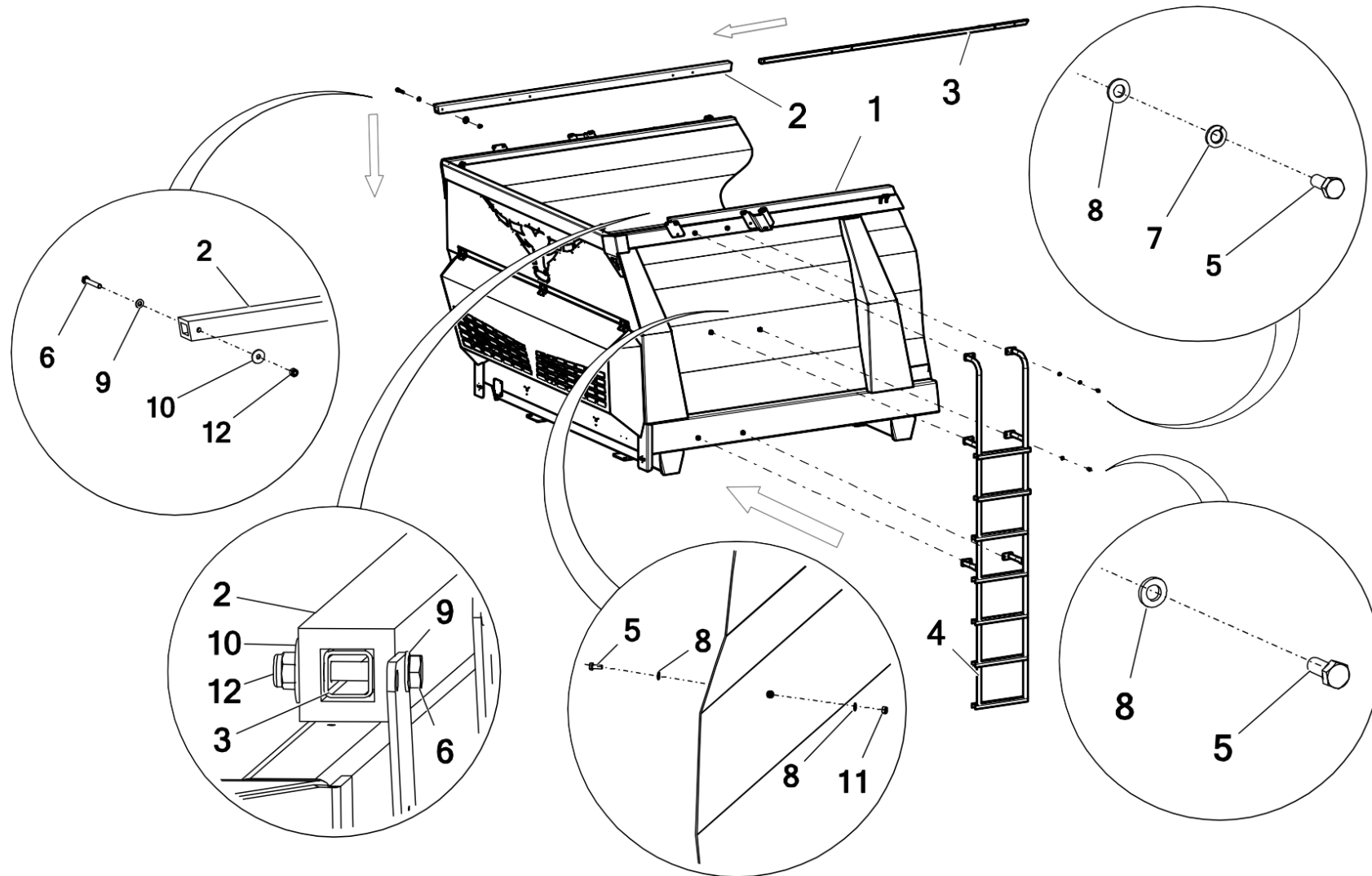
No.	Part or assembly name	Fig. or index No.			
		N272/1	Volume	N272/2	Volume
1	Lower frame	N272 01.00.00	1	N272 01.00.00	1
2	Body	N272-1 03.01.00.5	1	N272 03.01.00	1
3	Side mudguard, right	N272 03.31.00P	2	N272 03.31.00P	2
4	Central mudguard	N272 03.30.00.2	2	N272 03.30.00.2	2
5	Side mudguard, left	N272 03.31.00L	2	N272 03.31.00L	2
6	Rubber bumper diam. 130 x 160 (trailer)	POD-TSZ-000006-1	4	POD-TSZ-000006-1	4
7	Bolt 6 x 12 galv. 8.8 82105 82105 8.8	23S6/12OC 8.8	8	23S6/12OC 8.8	8
8	Bolt 6 x 16 galv. 8.8 82105 82105 8.8	23S6/16 8.8OC	14	23S6/16 8.8OC	14
9	Bolt 8 x 20 galv. 8.8 82105 82105	23S8/20OC 8.8	8	23S8/20OC 8.8	8
10	Spring washer, 6.1 galv. 82008 82008	23P6SPOC	22	23P6SPOC	22
11	Round washer 6 galv. coated 82030	23P6OC030	22	23P6OC030	22
12	Round washer 8 galv. 82005 82005	23P8OOC	16	23P8OOC	16
13	Round washer 12 galv. 82005	23P12OC	8	23P12OC	8
14	Self-locking nut M8 galv. cl. 8 DIN 982 (elevated)	POD-ELZ-000614	8	POD-ELZ-000614	8
15	Self-locking nut M12 galv. 82175 8 82175 8	23NS12OC	8	23NS12OC	8
16	Edge gasket 2 mm	POD-TSZ-000192	4.65 m	POD-TSZ-000192	4.65 m
17	Rim gasket	POD-TSZ-000193	2.25 m	POD-TSZ-000193	2.25 m

#### 4. SHELL AND FRONT GATE



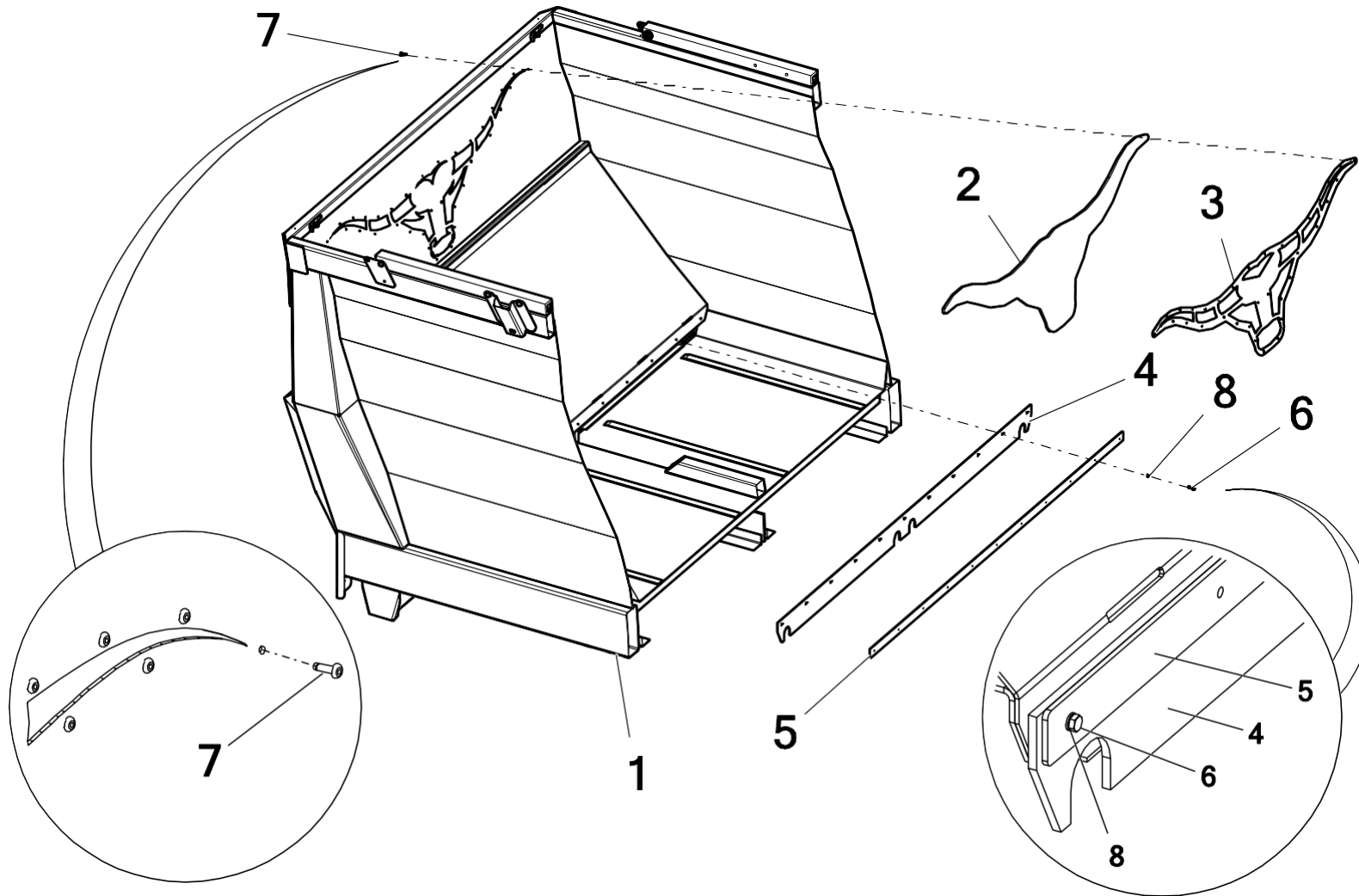
No.	Part or assembly name	Fig. or index No.			
		N272/1	Volume	N272/2	Volume
1	Body	N272-1 03.01.00.5	1	N272 03.01.00	1
2	Front gate	N272 07.00.00.1	1	N272 07.00.00.1	1
3	Panel holder 465934	POD-TSZ-000195	2	POD-TSZ-000195	2
4	Hinge N272 CFM.60 SH-8	POD-OGL-000378	3	POD-OGL-000378	3
5	Edge gasket 2 mm	POD-TSZ-000192	11.5 m	POD-TSZ-000192	11.5 m
6	Gas spring 23179-L599 440 N; travel 190	28SG21768	2	28SG21768	2
7	Gas spring pin I-25014	POD-OGL-000519	4	POD-OGL-000519	4
8	Bolt 8 x 20 galv. 8.8 82105 82105	23S8/20OC 8.8	4	23S8/20OC 8.8	4
9	Screw 8 x 25 galv. 82208 82208	23W8/25 OC	12	23W8/25 OC	12
10	Spring washer 8.2 galv. 82008 82008	23P8SPOC	4	Spring washer 8.2 galv. 82008 82008	4
11	Round washer 8 galv. 82005 82005	23P8OOC	10	23P8OOC	10
12	Self-locking nut M8 galv. 82175 8 82175 8	23NS8OC	10	23NS8OC	10

## 5. LADDER AND PANEL ENDS



No.	Part or assembly name	Fig. or index No.			
		N272/1	Volume	N272/2	Volume
1	Body	N272-1 03.01.00.5	1	N272 03.01.00	1
2	Rubber square 50 x 50 x 4605 for panel end	POD-TSZ-000232	2	POD-TSZ-000232	2
3	Internal profile N272 05.10.07	N272 05.10.07	2	N272 05.10.07	2
4	Ladder	N272-1 08.00.00.1	1	N272-2 08.00.00.1	1
5	Bolt 8 x 20 galv. 8.8 82105 82105	23S8/20OC 8.8	6	23S8/20OC 8.8	6
6	Bolt 10 x 65 galv. 8.8 82101	POD-ELZ-000529	20	POD-ELZ-000529	20
7	Spring washer 8.2 galv. 82008 82008	23P8SPOC	4	23P8SPOC	4
8	Round washer 8 galv. 82005 82005	23P8OOC	8	23P8OOC	8
9	Round washer 30 galv. 82005 82005	23P10 82005	20	23P10 82005	20
10	Round washer 10 galv. rough finish 82019	POD-ELZ-000413	20	POD-ELZ-000413	20
11	Self-locking nut M8 galv. 82175 8 82175 8	23NS8OC	2	23NS8OC	2
12	Self-locking nut M10 galv. 82175 8 82175 8	23NS10OC	20	23NS10OC	20

## 6. INSTALLATION OF AN INSPECTION WINDOW



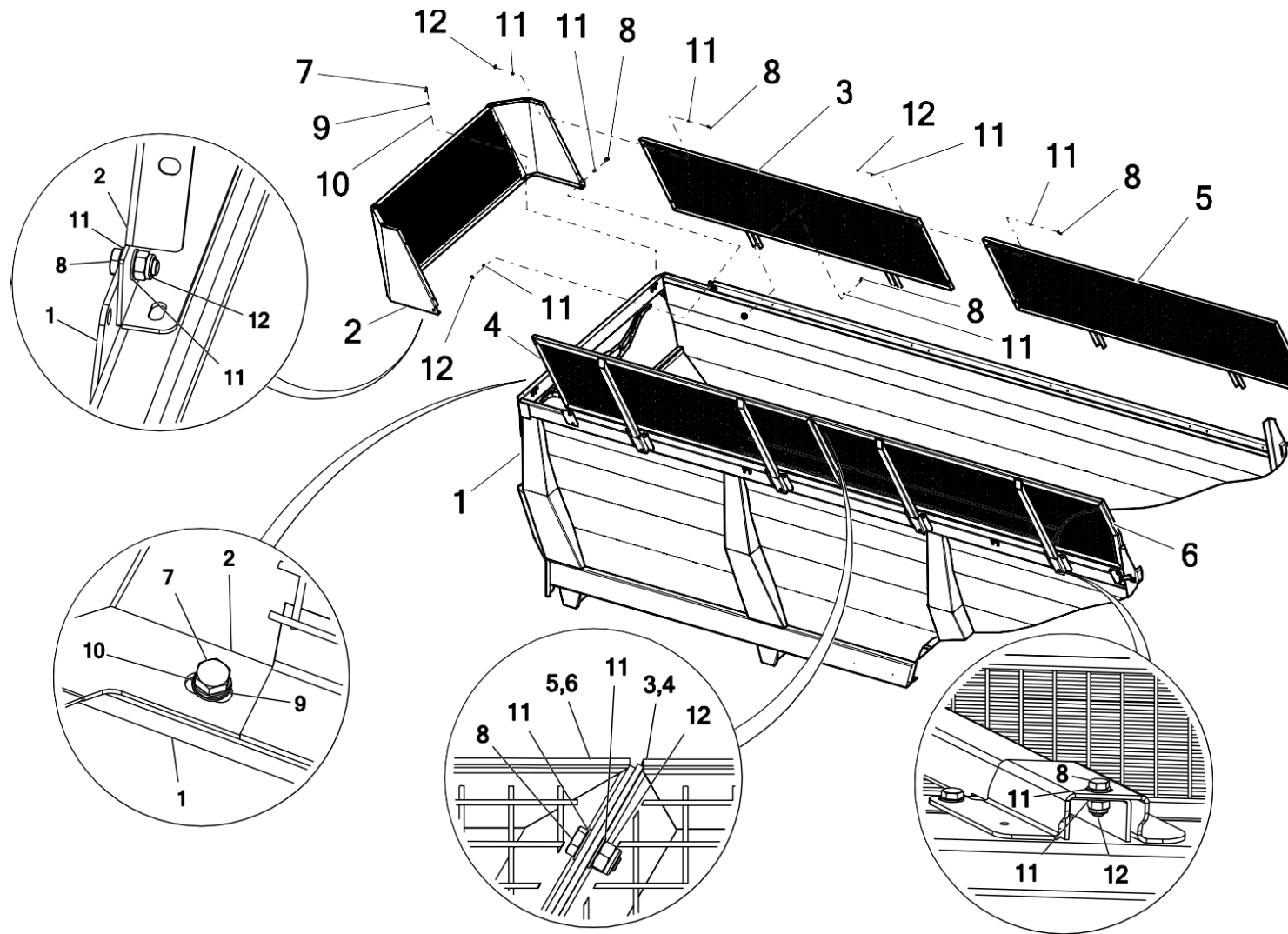
No.	Part or assembly name	Fig. or index No.			
		N272/1	Volume	N272/2	Volume
1	Body	N272-1 03.01.00.5	1	N272 03.01.00	1
2*	Roll of PVC std b/n 4 x 156	26RPCW4/156	0.5 m	26RPCW4/156	0.5 m
3	Installation under PVC - TAURUS film	N272 03.32.02	1	N272 03.32.02	1
4	Rubber belt 2000 x 100 mm with cut-outs for chain N272	POD-TSZ-000245	1	POD-TSZ-000245	1
5	Rubber mounting N272 03.00.05	N272 03.00.05	1	N272 03.00.05	1
6	Bolt 6 x 20 galv. 8.8 82105 82105 8.8	23S6/20	11	23S6/20	11
7	Aluminium/steel pop rivet 6 x 20	POD-ELZ-000415	34	POD-ELZ-000415	34
8	Spring washer, 6.1 galv. 82008 82008	23P6SPOC	11	23P6SPOC	11

**Key:**

2\* - the item is supplied in the form of a 1600 x 500 roll; its shape must be copied from item **N272 03.32.02** (item 3)

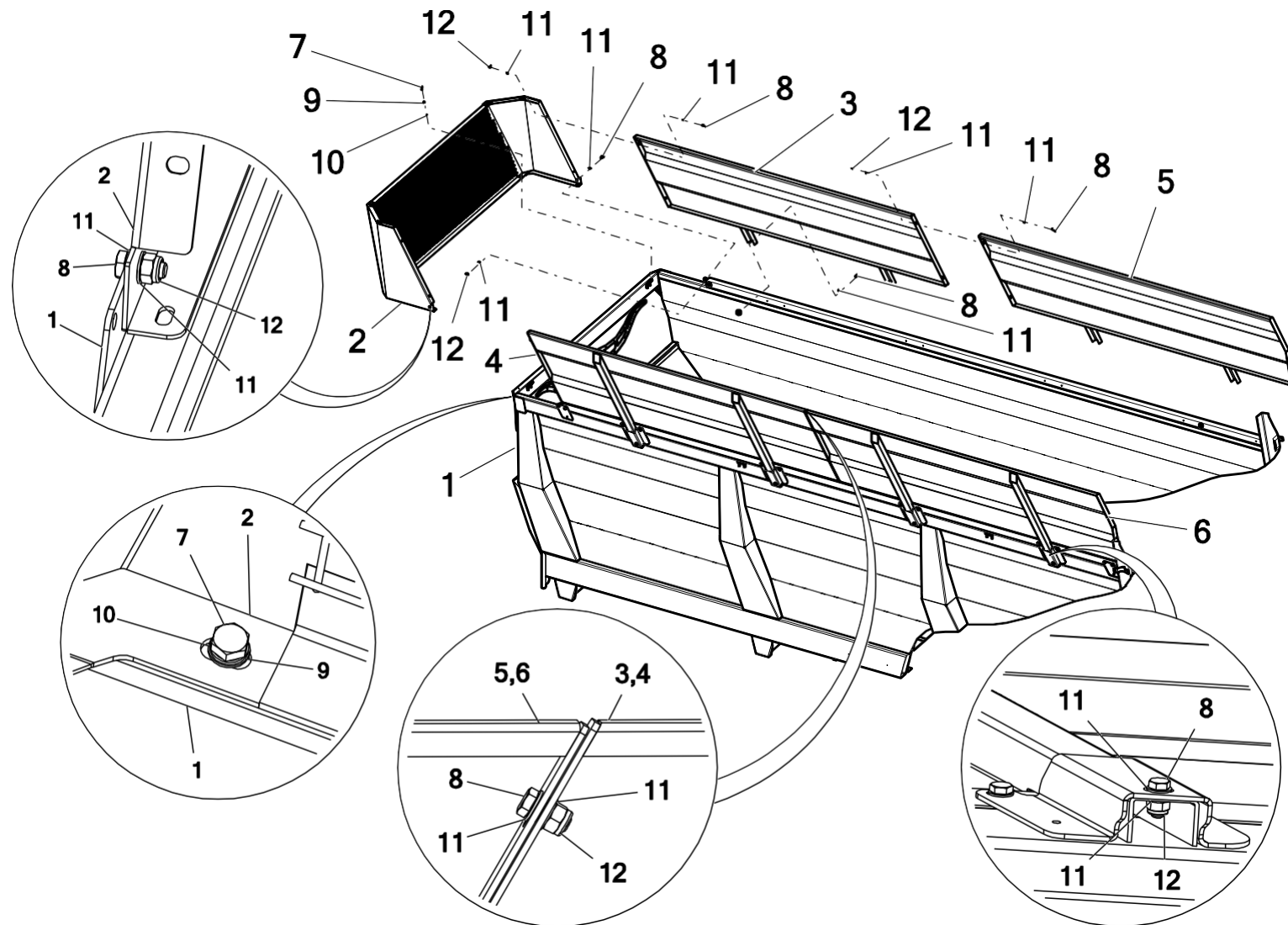


## 7. FRONT EXTENSION AND SIDE NET EXTENSIONS



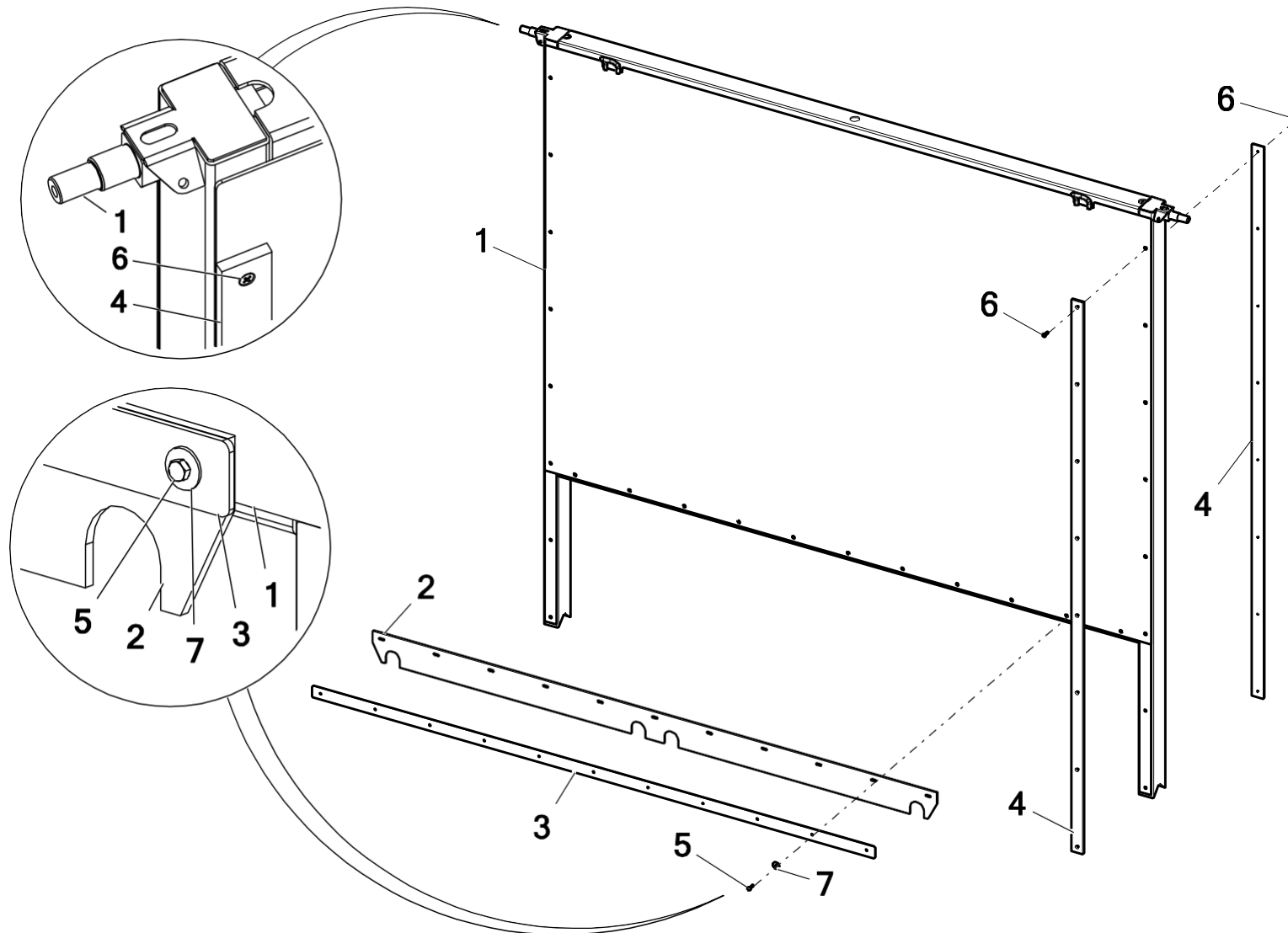
No.	Part or assembly name	Fig. or index No.			
		N272/1	Volume	N272/2	Volume
1	Body	N272-1 03.01.00.5	1	N272 03.01.00	1
2	Front extension	N272 05.01.00.1	1	N272 05.01.00.1	1
3	Side net extension, front - right side	N272 05.02.00P	1	N272 05.02.00P	1
4	Side net extension, front - left side	N272 05.02.00L	1	N272 05.02.00L	1
5	Side net extension, rear - right side	N272 05.03.00P	1	N272 05.03.00P	1
6	Side net extension, rear - left side N272 05.03.00L	N272 05.03.00L	1	N272 05.03.00L	1
7	Bolt 8 x 20 galv. 8.8 82105 82105	23S8/20OC 8.8	2	23S8/20OC 8.8	2
8	Bolt 10 x 25 galv. 8.8 82105 82105	23S10/25OC 8.8	18	23S10/25OC 8.8	18
9	Spring washer 8.2 galv. 82008 82008	23P8SPOC	2	23P8SPOC	2
10	Round washer 8 galv. coated 82030	23P8OC 82030	2	23P8OC 82030	2
11	Round washer 30 galv. 82005 82005	23P10 82005	20	23P10 82005	20
12	Self-locking nut M10 galv. 82175 8 82175 8	23NS10OC	10	23NS10OC	10

## 8. FRONT EXTENSION AND SIDE SHEET METAL EXTENSIONS



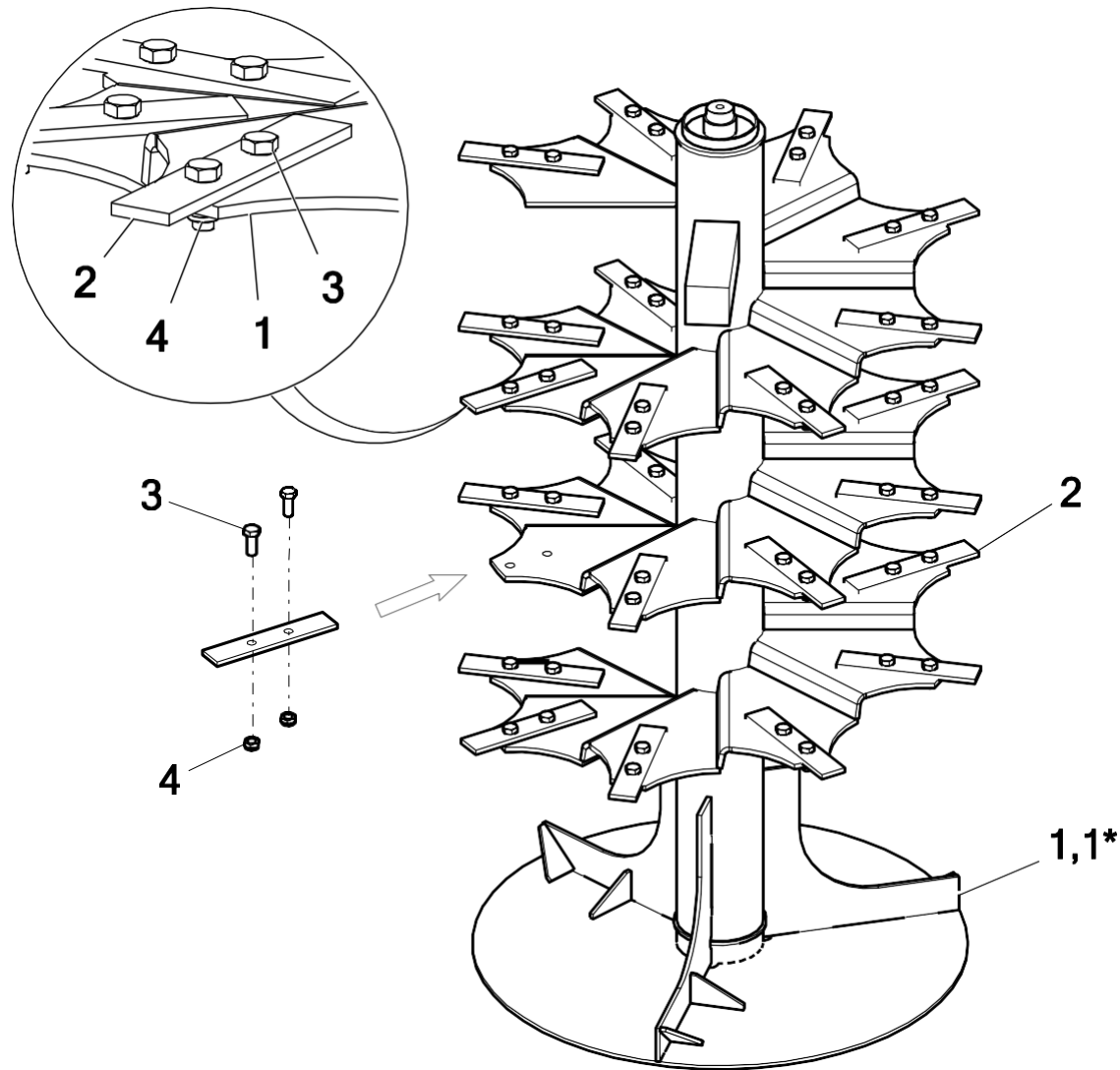
No.	Part or assembly name	Fig. or index No.			
		N272/1	Volume	N272/2	Volume
1	Body	N272-1 03.01.00.5	1	N272 03.01.00	1
2	Front extension	N272 05.01.00.1	1	N272 05.01.00.1	1
3	Side metal sheet extension, front - right side	N272 05.04.00P	1	N272 05.04.00P	1
4	Side metal sheet extension, front - left side	N272 05.04.00L	1	N272 05.04.00L	1
5	Side metal sheet extension, rear - right side	N272 05.05.00P	1	N272 05.05.00P	1
6	Side metal sheet extension, rear - left side	N272 05.05.00L	1	N272 05.05.00L	1
7	Bolt 8 x 20 galv. 8.8 82105 82105	23S8/20OC 8.8	2	23S8/20OC 8.8	2
8	Bolt 10 x 25 galv. 8.8 82105 82105	23S10/25OC 8.8	18	23S10/25OC 8.8	18
9	Spring washer 8.2 galv. 82008 82008	23P8SPOC	2	23P8SPOC	2
10	Round washer 8 galv. coated 82030	23P8OC 82030	2	23P8OC 82030	2
11	Round washer 30 galv. 82005 82005	23P10 82005	20	23P10 82005	20
12	Self-locking nut M10 galv. 82175 8 82175 8	23NS10OC	10	23NS10OC	10

**9. REAR TAILGATE**



No.	Part or assembly name	Fig. or index No.			
		N272/1	Volume	N272/2	Volume
1	Rear tailgate	N272 04.03.00	1	N272 04.03.00	1
2	Sealing rubber	N272 09.00.08	1	N272 09.00.08	1
3	Rubber mounting	N272 03.00.05	1	N272 03.00.05	1
4	Tecamid slider for the tailgate N272 04.04.01.1 L=1930 mm	POD-TSZ-000223	4	POD-TSZ-000223	4
5	Bolt 6 x 20 galv. 8.8 82105 82105 8.8	23S6/20	11	23S6/20	11
6	Screw 6 x 20 galv. 82208	23W6/20OC	36	23W6/20OC	36
7	Round washer 6 galv. coated 82019	POD-ELZ-000563	11	POD-ELZ-000563	11

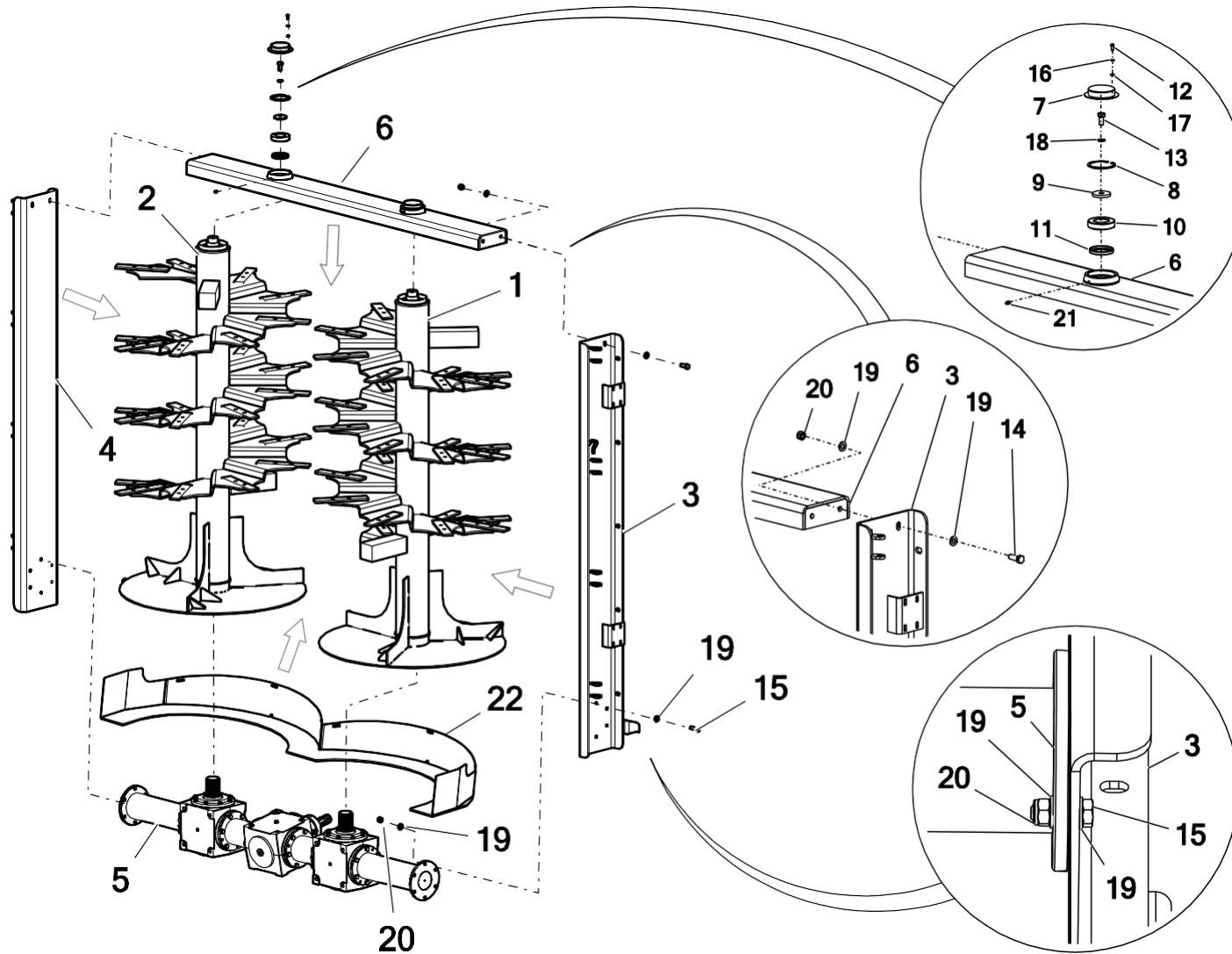
**10. LEFT AUGER OF THE 2-ROTOR VERTICAL ADAPTER**



No.	Part or assembly name	Fig. or index No.			
		N272/1	Volume	N272/2	Volume
1	Left auger (12,14 T)	N272 10.11.00.1L	1	N272 10.11.00.1L	1
1*	Right auger (12,14 T)	N272 10.11.00.1P	1	N272 10.11.00.1P	1
2	Flat bar (screw blade)	N272 10.11.21	25	N272 10.11.21	25
3	Bolt 16 x 40 galv. 8.8 82105 82105	23S16/40 8.8OC	50	23S16/40 8.8OC	50
4	Self-locking nut M16 galv. 82175 8 82175 8	23NS16OC	50	23NS16OC	50

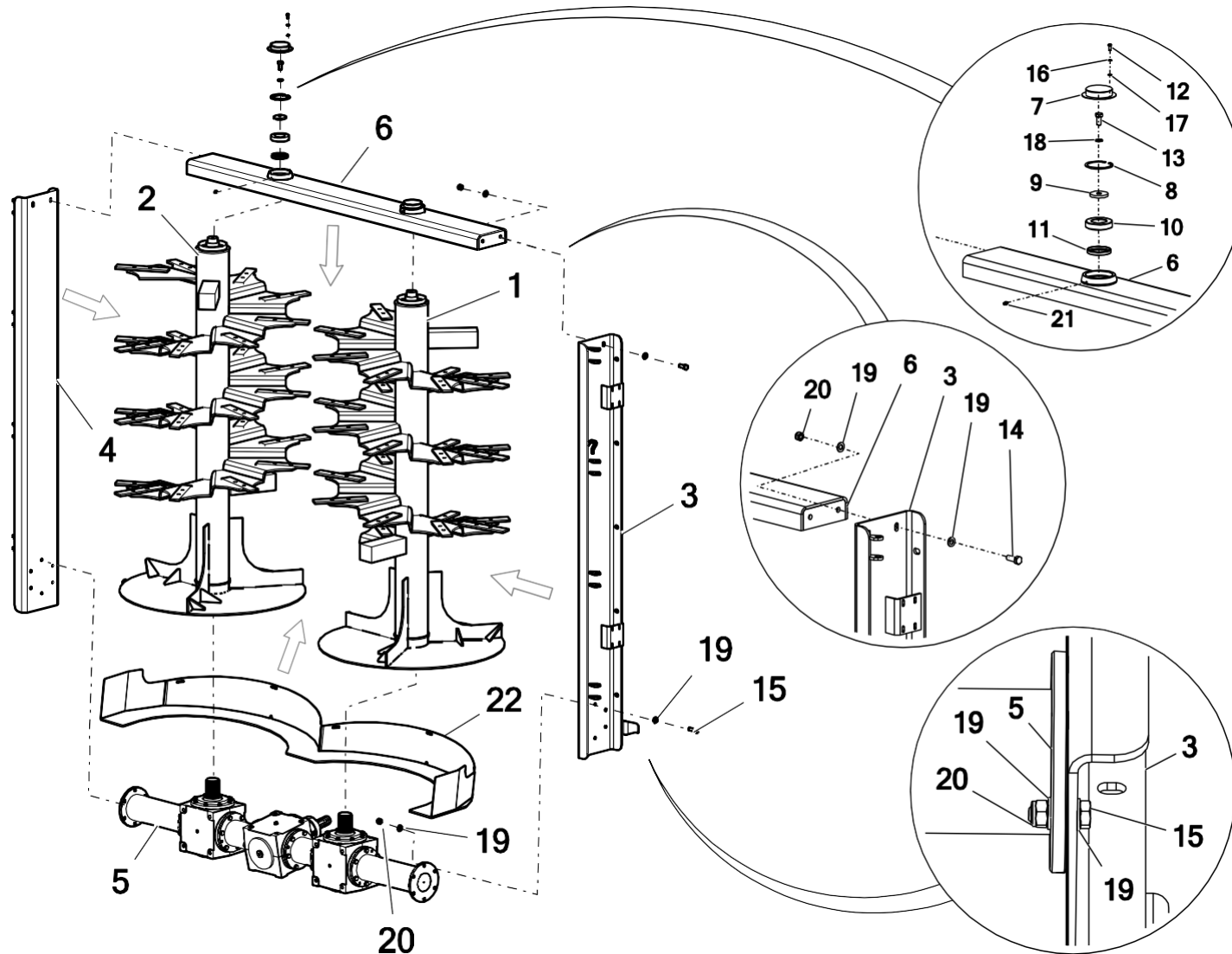


# 11. 2-ROTOR VERTICAL ADAPTER



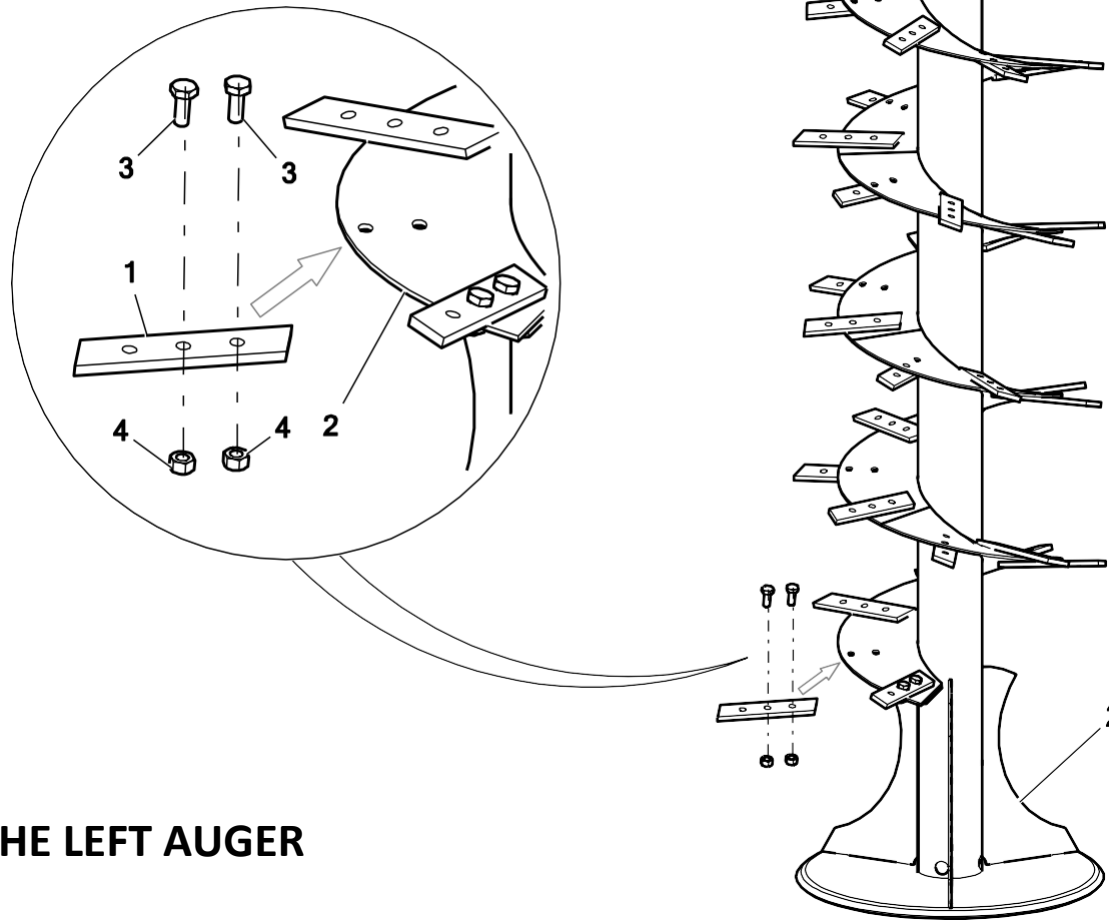
No.	Part or assembly name	Fig. or index No.			
		N272/1	Volume	N272/2	Volume
1	Right auger (12,14 T)	N272 10.11.00.1P	1	N272 10.11.00.1P	1
2	Left auger (12,14 T)	N272 10.11.00.1L	1	N272 10.11.00.1L	1
3	Right bar, complete	N272 10.13.00	1	N272 10.13.00	1
4	Left bar, complete	N272 10.12.00	1	N272 10.12.00	1
5	Gearbox MB10.04 L-2000 mm (two rotors)	POD-WPS-000121	1	POD-WPS-000121	1
6	Top bar, complete	N272 10.14.00	1	N272 10.14.00	1
7	Top stopper, complete	N272 10.15.00	2	N272 10.15.00	2
8	Circlip W90	POD-ELZ-000464	2	POD-ELZ-000464	2
9	Bearing washer N272 10.14.05	N272 10.14.05	2	N272 10.14.05	2
10	Self-aligning ball bearing 6205 1210QL	POD-LOZ-000185	2	POD-LOZ-000185	2
11	Sealing Ring 60 x 80 x 10	POD-HPZ-000095	2	POD-HPZ-000095	2
12	Bolt 6 x 16 galv. 8.8 82105 82105 8.8	23S6/16 8.8OC	4	23S6/16 8.8OC	4

# 11. 2-ROTOR VERTICAL ADAPTER



No.	Part or assembly name	Fig. or index No.			
		N272/1	Volume	N272/2	Volume
13	Bolt 14 x 30 galv. 8.8 82105	POD-ELZ-000524	2	POD-ELZ-000524	2
14	Screw 14 x 40 galv. 8.8 82105 82105	23S14/40 8.8	4	23S14/40 8.8	4
15	Screw 14 x 50 galv. 8.8 82105 82105	23S14/50 8.8 82105 OC.	12	23S14/50 8.8 82105 OC.	12
16	Spring washer, 6.1 galv. 82008 82008	23P6SPOC	4	23P6SPOC	4
17	Round washer 6 galv. 82005 82005	23P6OOC	4	23P6OOC	4
18	Spring washer 14.2 galv. 82008 82008	23P14SP	2	23P14SP	2
19	Round washer 14 galv. 82005 82005	23P14OC	32	23P14OC	32
20	Self-locking nut M14 galv. 82175 8 82175 8	23NS14OC	16	23NS14OC	16
21	Lubricating nipple M6 x 1.0 straight	23SM	2	23SM	2
22	Bottom guard of the adapter	N272-3 13.00.00	1	N272-3 13.00.00	1

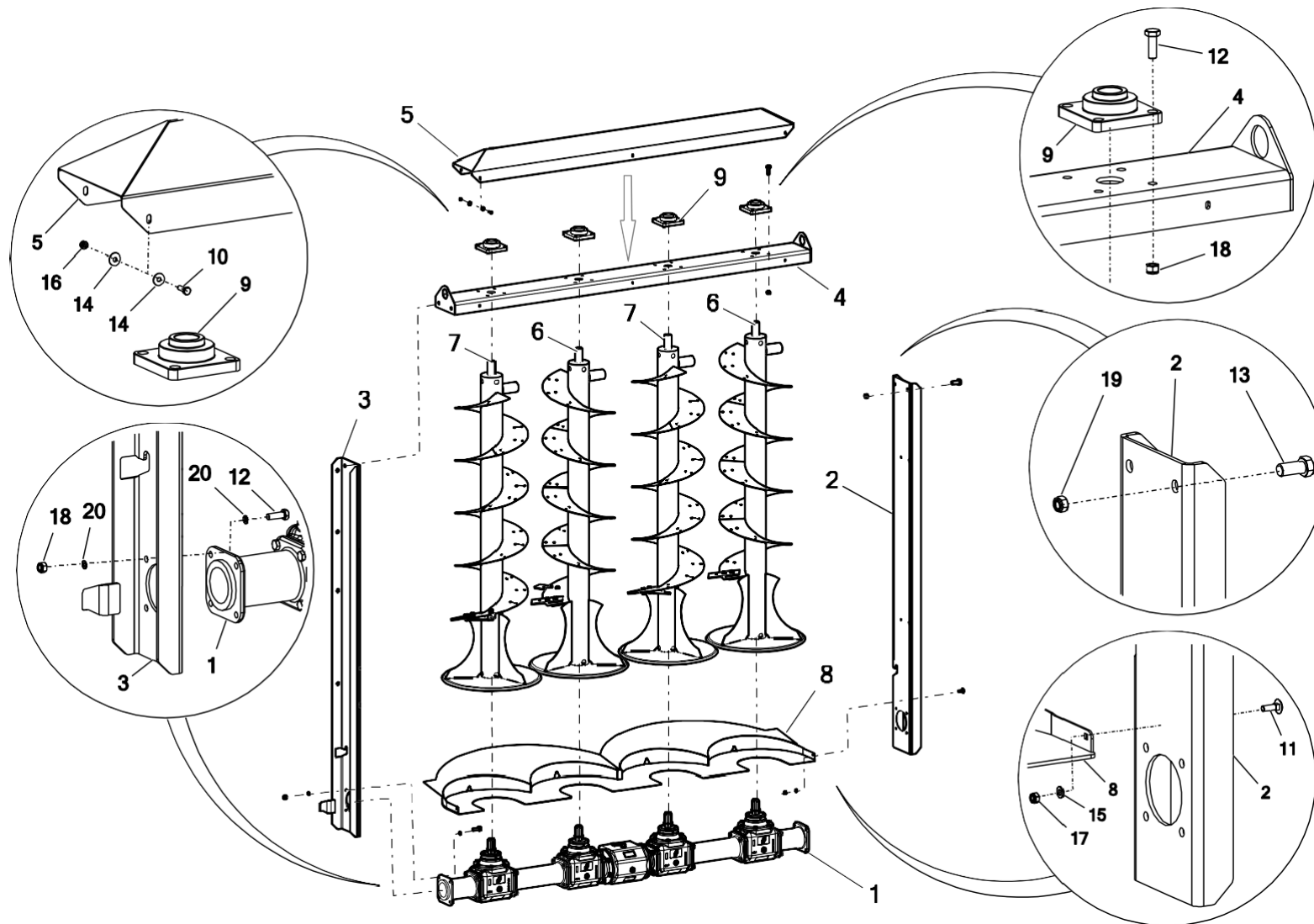
**12. AUGER OF THE 4-ROTOR VERTICAL ADAPTER**



**VIEW OF THE LEFT AUGER**

No.	Part or assembly name	Fig. or index No.			
		N272/1	Volume	N272/2	Volume
1	Auger blade	N267 09.00.07.2	32	N267 09.00.07.2	32
2	Left auger	N267 09.10.00	1	N267 09.10.00	1
3	Bolt 10 x 25 galv. 8.8 82105 82105	23S10/25OC 8.8	64	23S10/25OC 8.8	64
4	Nut M10 galv. 82144 5 82144 5	23N10OC	64	23N10OC	64

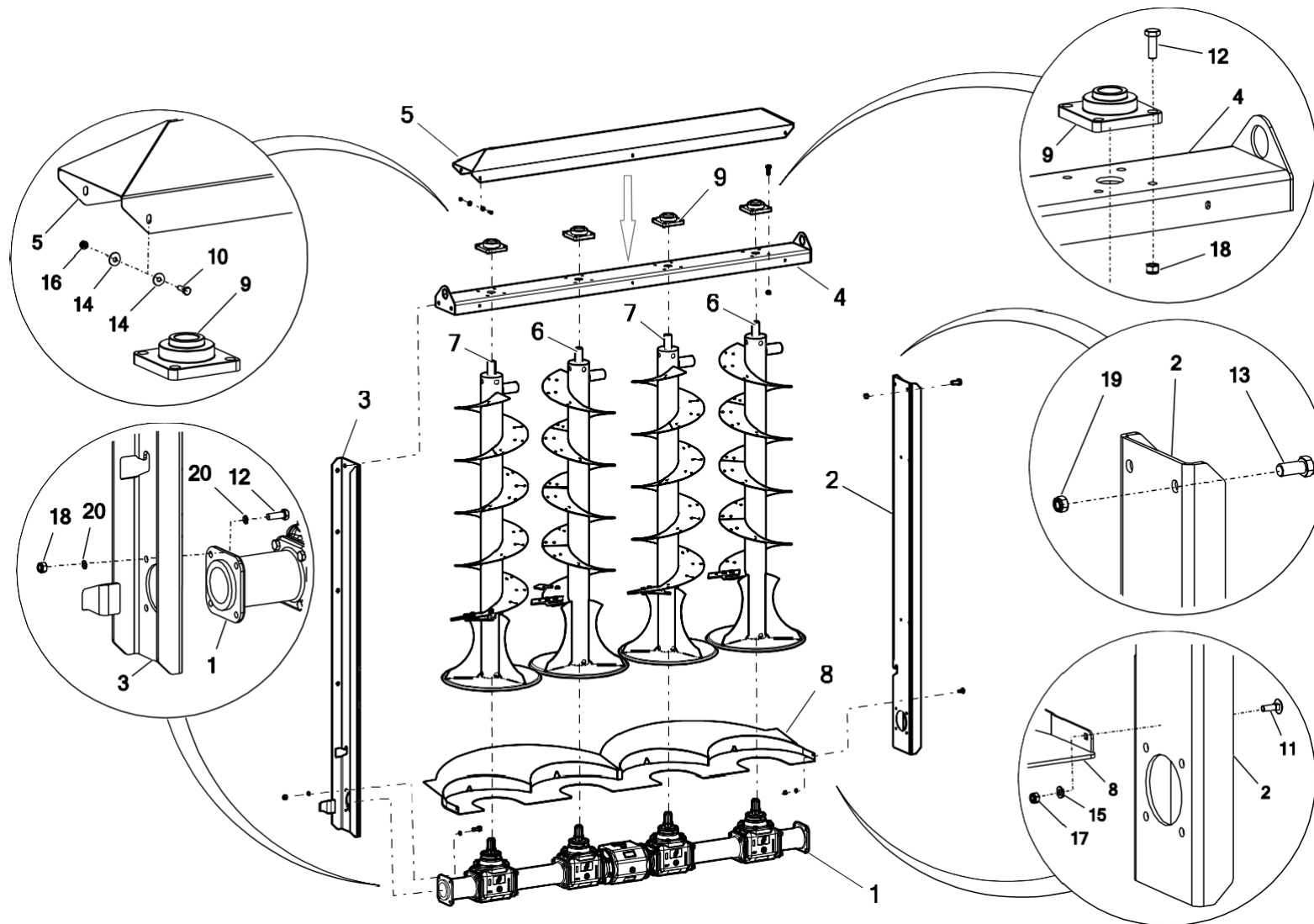
### 13. 4-ROTOR VERTICAL ADAPTER



No.	Part or assembly name	Fig. or index No.			
		N272/1	Volume	N272/2	Volume
1	Gearbox PRK-051-01.1AAAA.R1 - complete	POD-WPS-000208	1	POD-WPS-000208	1
	Gearbox MB10.40 L-2000 mm (two rotors)	POD-WPS-000272		POD-WPS-000272	
2	Frame of the right adapter	N267 09.03.01.1	1	N267 09.03.01.1	1
3	Left bar, complete N272 10.12.00-A4	N272 10.12.00-A4	1	N272 10.12.00-A4	1
4	Right bar, complete N272 10.13.00-A4	N272 10.13.00-A4	1	N272 10.13.00-A4	1
5	Upper guard, complete	N267 09.08.00	1	N267 09.08.00	1
6	Left auger with blades	N267 09.10.10	2	N267 09.10.00	2
7	Right auger with blades	N267 09.20.10	2	N267 09.20.00	2
8	Bottom guard N272 13.02.00	N272 13.02.00	1	N272 13.02.00	1
9	Bearing unit UCF207	NPOD-LOZ-000101	4	NPOD-LOZ-000101	4
10	Bolt 6 x 20 galv. 8.8 82105 82105 8.8	23S6/20	6	23S6/20	6
11	Carriage bolt 8 x 25 galv. 8.8 82406 82406	23S8/25OC 82406	2	23S8/25OC 82406	2
12	Bolt 12 x 35 galv. 8.8 82105 82105	23S12/35OC 8.8	24	23S12/35OC 8.8	24
13	Screw 16 x 35 galv. 8.8 82105 82105	23S16/35 8.8OC	4	23S16/35 8.8OC	4
14	Round washer 6 galv. coated 82030	23P6OC030	12	23P6OC030	12
15	Round washer 8 galv. 82005 82005	23P8OOC	2	23P8OOC	2

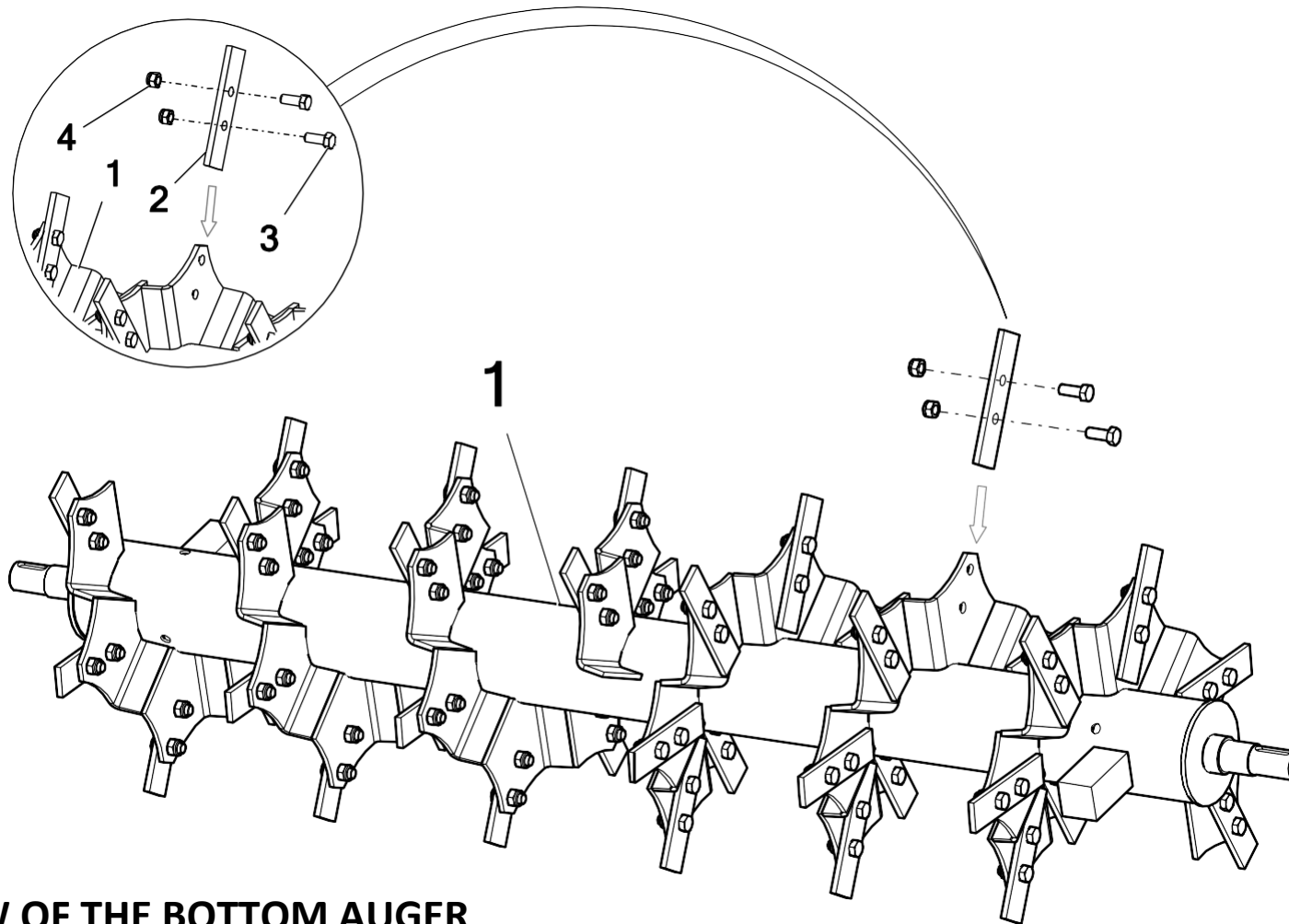


### 13. 4-ROTOR VERTICAL ADAPTER



No.	Part or assembly name	Fig. or index No.			
		N272/1	Volume	N272/2	Volume
16	Self-locking nut M6 galv. 82175 8 82175 8	23NS6OC	6	23NS6OC	6
17	Self-locking nut M8 galv. 82175 8 82175 8	23NS8OC	2	23NS8OC	2
18	Self-locking nut M12 galv. 82175 8 82175 8	23NS12OC	24	23NS12OC	24
19	Self-locking nut M16 galv. 82175 8 82175 8	23NS16OC	4	23NS16OC	4

## 14. AUGER OF THE 2-ROTOR HORIZONTAL DISC ADAPTER



**VIEW OF THE BOTTOM AUGER**

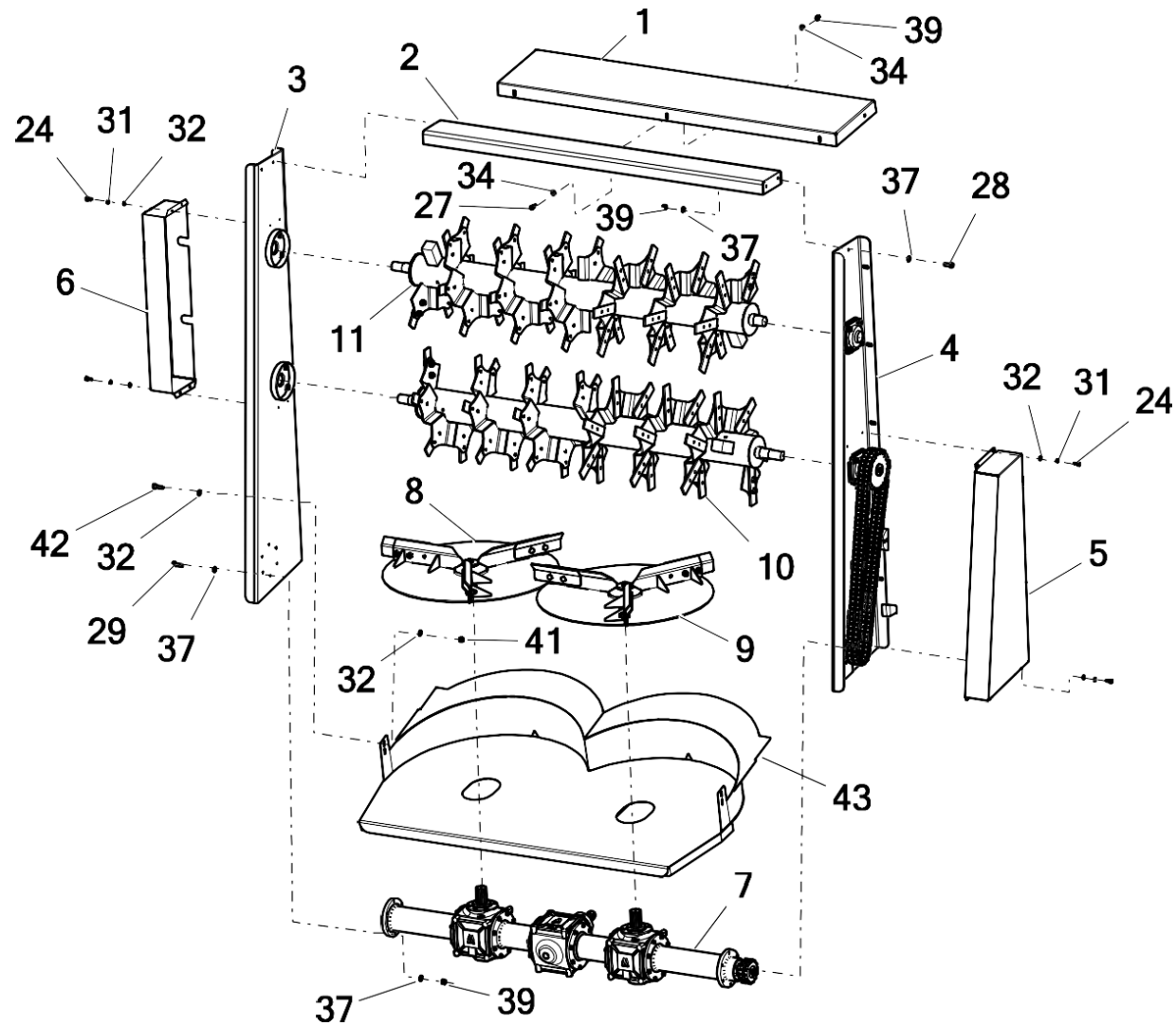
No.	Part or assembly name	Fig. or index No.			
		N272/1	Volume	N272/2	Volume
1	Bottom auger N272 11.05.2000	N272 11.05.00	1	N272 11.05.00	1
1*	Top auger N272 11.06.2000	N272 11.06.00	1	N272 11.06.00	1
2	Horizontal auger blade	N272 11.05.10	38	N272 11.05.10	38
3	Bolt 16 x 40 galv. 8.8 82105 82105	23S16/40 8.8OC	76	23S16/40 8.8OC	76
4	Self-locking nut M16 galv. 82175 8 82175 8	23NS16OC	76	23NS16OC	76

**Key:**

1\* - Top auger (its uses pins different from those installed in the bottom auger)

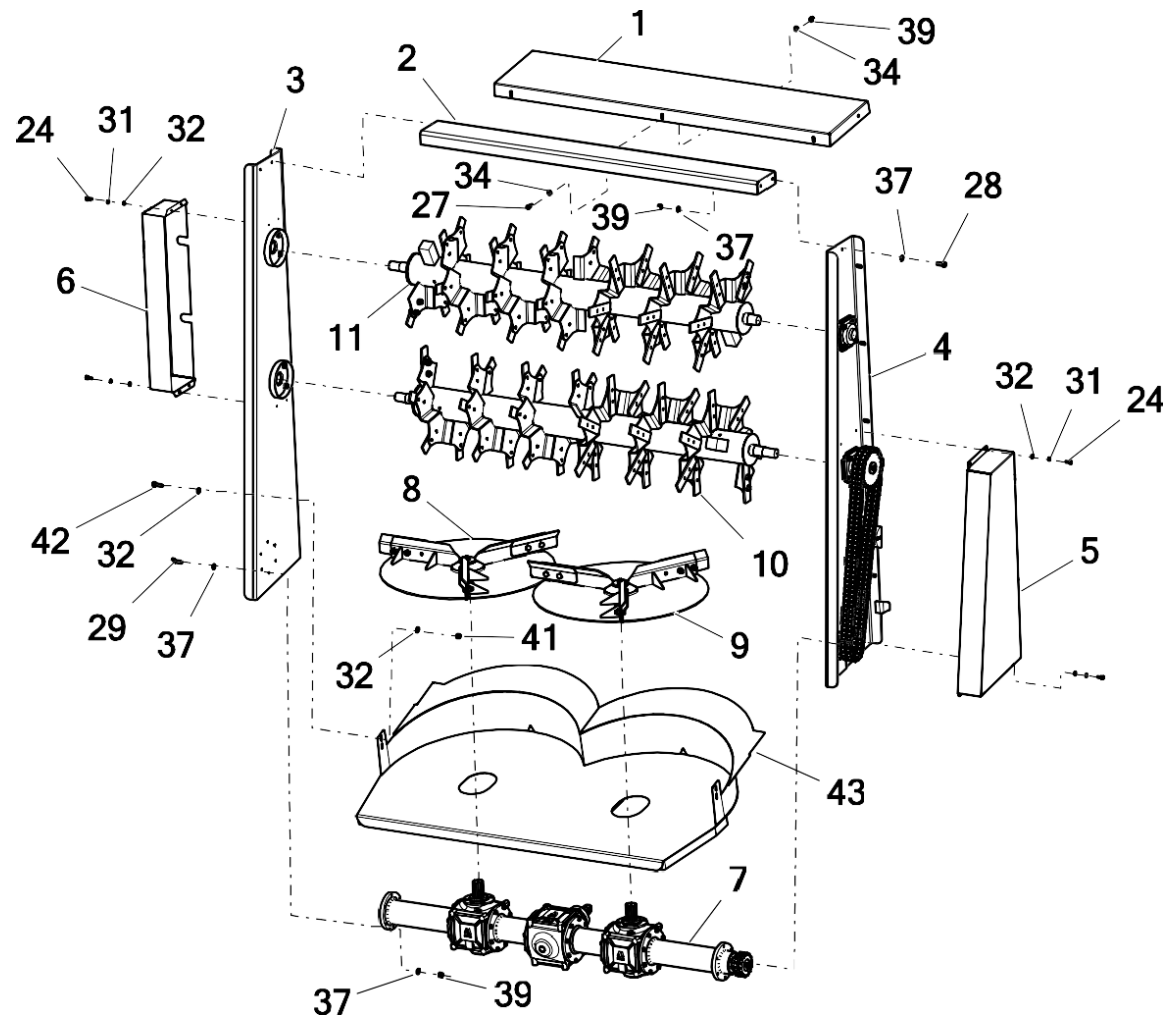
The auger is sold as complete with blades, since it is factory balanced.

### 15. HORIZONTAL 2-ROTOR DISC ADAPTER



No.	Part or assembly name	Fig. or index No.			
		N272/1	Volume	N272/2	Volume
1	Top guard of the adapter	N272 03.00.08	1	N272 03.00.08	1
2	Top bar	N272 11.04.00	1	N272 11.04.00	1
3	Left frame	N272 11.02.00	1	N272 11.02.00	1
4	Right frame	N272 11.03.00	1	N272 11.03.00	1
5	Bottom guard, complete	N272 11.07.00	1	N272 11.07.00	1
6	Upper guard, complete	N272 11.08.00	1	N272 11.08.00	1
7	Gear MB10.18, complete	POD-WPS-000190	1	POD-WPS-000190	1
8	Left bottom disc	N272 11.01.00.1L	1	N272 11.01.00.1L	1
9	Right bottom disc	N272 11.01.00.1P	1	N272 11.01.00.1P	1
10	Bottom auger	N272 11.05.00	1	N272 11.05.00	1
11	Top auger	N272 11.06.00	1	N272 11.06.00	1
12	Bearing assembly LEFG 210 TDT	POD-LOZ-000357	4	POD-LOZ-000357	4
13*	Chain wheel, 24 teeth	MBS 10.18-02	1	MBS 10.18-02	1
14*	Drive wheel, 15 teeth	MBS 10.18-01	2	MBS 10.18-01	2
15	Gear chain tensioner	N272 11.09.09	1	N272 11.09.09	1
16	Gear chain tensioner	N272 11.09.06	1	N272 11.09.06	1
17	Plug	N272 11.09.07	1	N272 11.09.07	1
18	Chain 16B2, 91 links + connector (2.35 m)	POD-LAN-000113	1	POD-LAN-000113	1

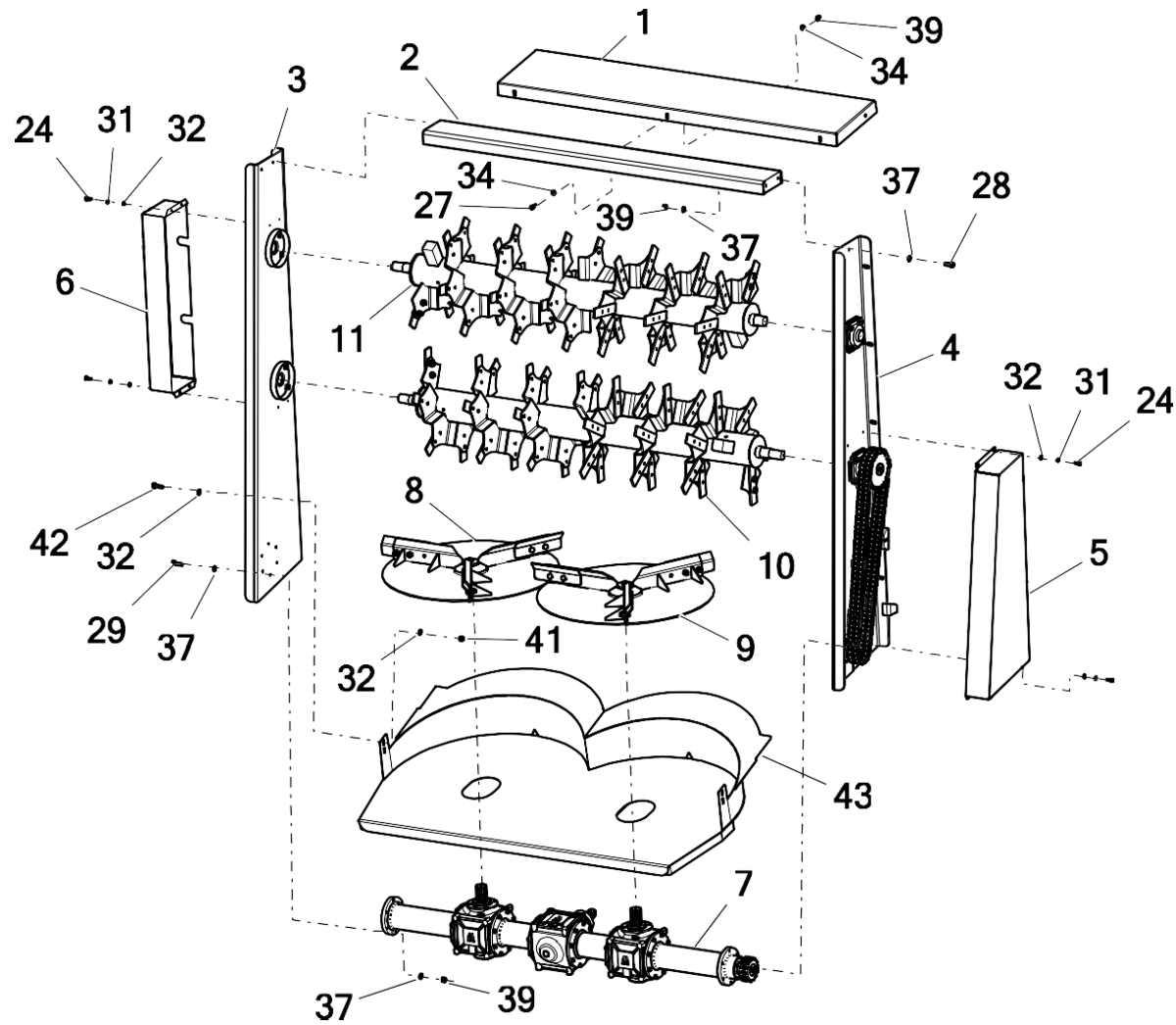
## 15. HORIZONTAL 2-ROTOR DISC ADAPTER



No.	Part or assembly name	Fig. or index No.			
		N272/1	Volume	N272/2	Volume
19	Chain 20B1, 59 links + connector (1.91 m)	POD-LAN-000114	1	POD-LAN-000114	1
20	Flat bar of the tensioner	N272 11.09.05	2	N272 11.09.05	2
21	Key 14 x 9 x 63	POD-ELZ-000837	1	POD-ELZ-000837	1
22	Key 14 x 9 x 50	POD-ELZ-000691	2	POD-ELZ-000691	2
23	Screw-on disc blade	N272 11.09.08	6	N272 11.09.08	6
24	Bolt 10 x 25 galv. 8.8 82105 82105	23S10/25OC 8.8	8	23S10/25OC 8.8	8
25	Bolt 10 x 80 galv. 8.8 82101	POD-ELZ-000452	2	POD-ELZ-000452	2
26	Allen bolt 10 x 110 galv. 8.8 82302	POD-ELZ-000836	2	POD-ELZ-000836	2
27	Bolt 12 x 35 galv. 8.8 82105 82105	23S12/35OC 8.8	6	23S12/35OC 8.8	6
28	Screw 14 x 40 galv. 8.8 82105 82105	23S14/40 8.8	6	23S14/40 8.8	6
29*	Chain wheel, 14 teeth	MB 10.18-30.04	1	MB 10.18-30.04	1
30	Bolt 16 x 40 galv. 8.8 82105 82105	23S16/40 8.8OC	12	23S16/40 8.8OC	12
31	Spring washer 10.2 galv. 82008 82008	23P10SP	2	23P10SP	2
32	Round washer 30 galv. 82005 82005	23P10 82005	10	23P10 82005	10
33	Spring washer 12 galv. 82008 82008	23P12SP	3	23P12SP	3
34	Round washer 12 galv. 82005	23P12OC	9	23P12OC	9
35	Locking washer	N272 11.09.02	3	N272 11.09.02	3
36	Spring washer 14.2 galv. 82008 82008	23P14SP	2	23P14SP	2



### 15. HORIZONTAL 2-ROTOR DISC ADAPTER

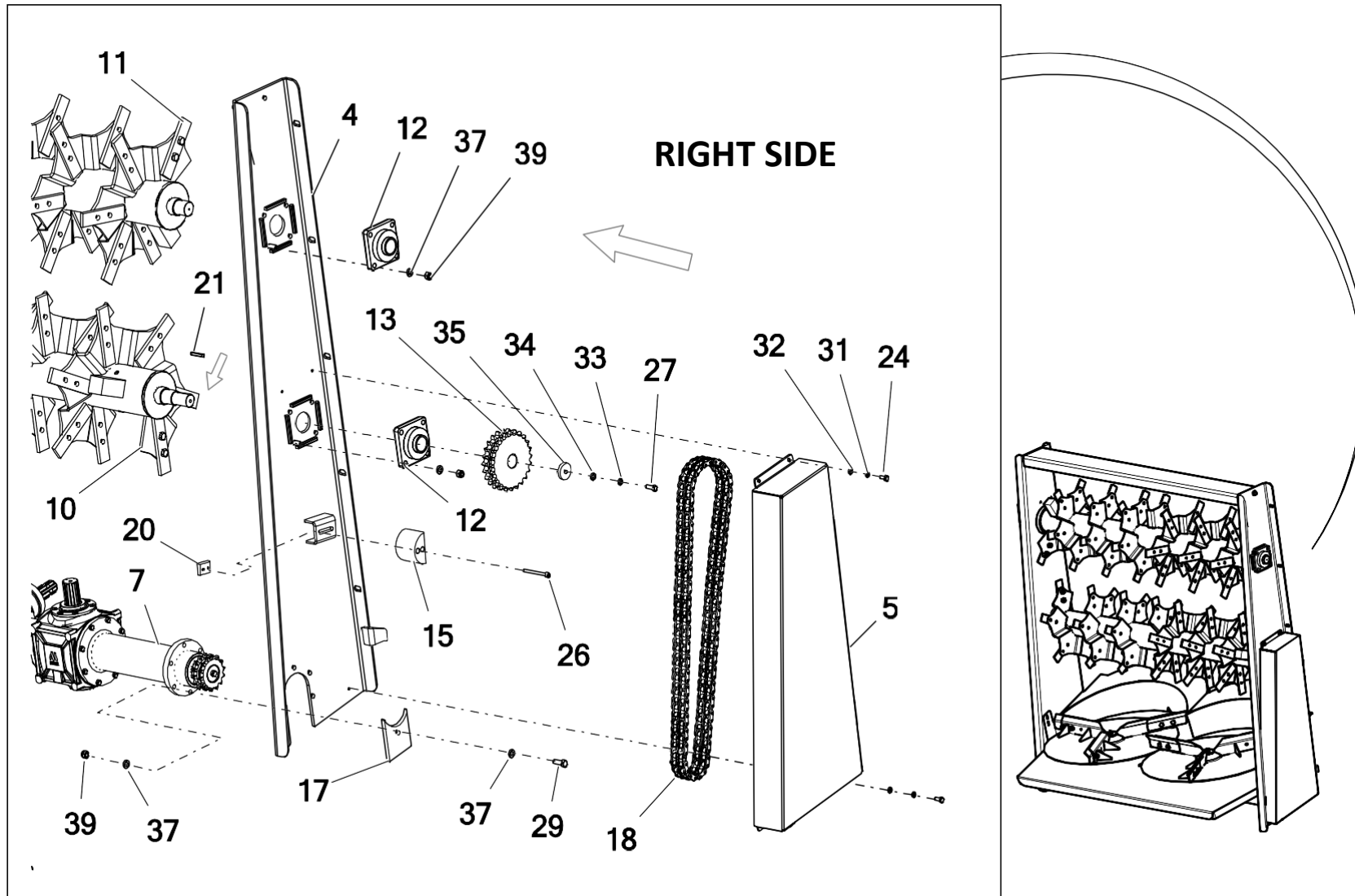


No.	Part or assembly name	Fig. or index No.			
		N272/1	Volume	N272/2	Volume
37	Round washer 14 galv. 82005 82005	23P14OC	60	23P14OC	60
38	Thrust washer	N272 11.09.10	2	N272 11.09.10	2
39	Self-locking nut M14 galv. 82175 8 82175 8	23NS14OC	35	23NS14OC	35
40	Self-locking nut M16 galv. 82175 8 82175 8	23NS16OC	12	23NS16OC	12
41	Self-locking nut M10 galv. 82175 82175 8	23NS10OC	4	23NS10OC	4
42	Bolt 10 x 30 galv. 8.8 82105 82105	23S10/30OC 8.8	4	23S10/30OC 8.8	4
43	Lower guard	N272 13.02.00	1	N272 13.02.00	1
44*	Bolt M12 x 45-8.8	PN-EN ISO 2009:1999	1	PN-EN ISO 2009:1999	1
45*	Parallel key B 14 x 9 x 60	PN-70/M-85005	1	PN-70/M-85005	1
46*	Pressure pad	MB 10.18-30.05	1	MB 10.18-30.05	1
47*	Spring washer ø12.2	PN-77/M-82008	1	PN-77/M-82008	1

**Key:**

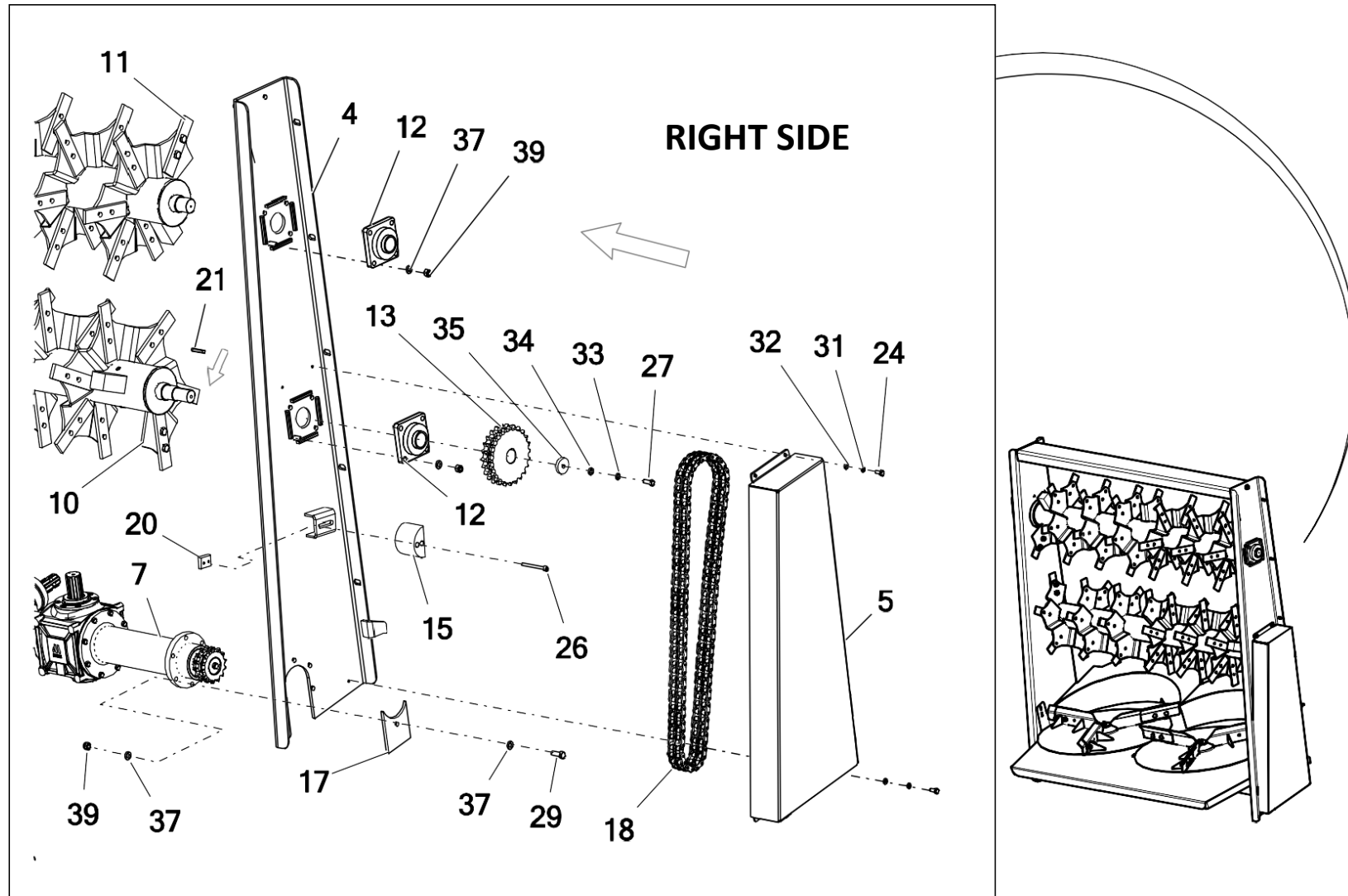
13\*, 14\*, 29\*, 44\*, 45\*, 46\*, 47\* - included as part of the following set: gearbox MB10.18, complete (4 chain wheels) - **POD-WPS-000190**

### 15. HORIZONTAL 2-ROTOR DISC ADAPTER



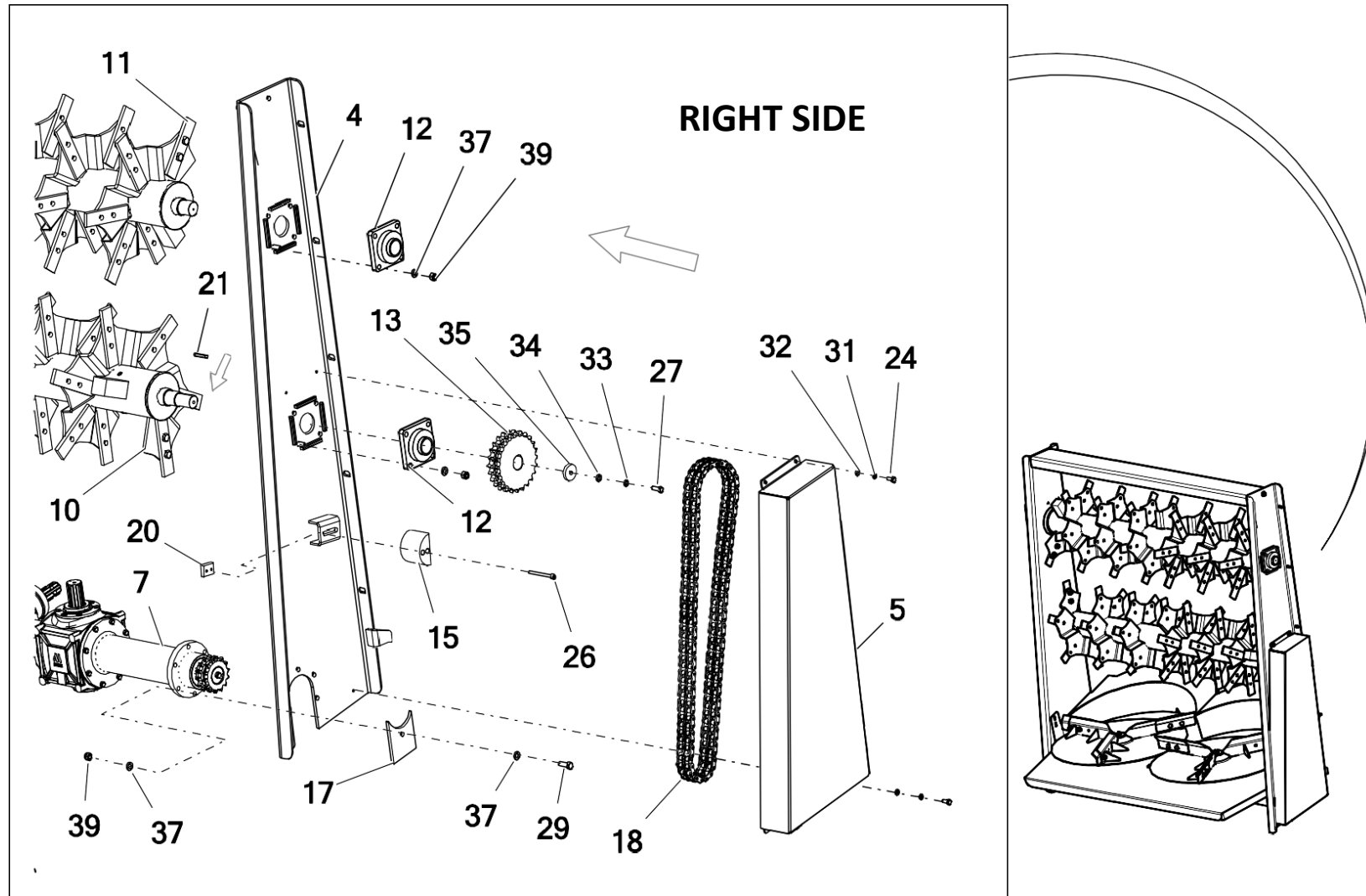
No.	Part or assembly name	Fig. or index No.			
		N272/1	Volume	N272/2	Volume
1	Top guard of the adapter	N272 03.00.08	1	N272 03.00.08	1
2	Top bar	N272 11.04.00	1	N272 11.04.00	1
3	Left frame	N272 11.02.00	1	N272 11.02.00	1
4	Right frame	N272 11.03.00	1	N272 11.03.00	1
5	Bottom guard, complete	N272 11.07.00	1	N272 11.07.00	1
6	Upper guard, complete	N272 11.08.00	1	N272 11.08.00	1
7	Gear MB10.18, complete	POD-WPS-000190	1	POD-WPS-000190	1
8	Left bottom disc	N272 11.01.00.1L	1	N272 11.01.00.1L	1
9	Right bottom disc	N272 11.01.00.1P	1	N272 11.01.00.1P	1
10	Bottom auger	N272 11.05.00	1	N272 11.05.00	1
11	Top auger	N272 11.06.00	1	N272 11.06.00	1
12	Bearing assembly LEFG 210 TDT	POD-LOZ-000357	4	POD-LOZ-000357	4
13*	Chain wheel, 24 teeth	MBS 10.18-02	1	MBS 10.18-02	1
14*	Drive wheel, 15 teeth	MBS 10.18-01	2	MBS 10.18-01	2
15	Gearbox chain tensioner	N272 11.09.09	1	N272 11.09.09	1
16	Gear chain tensioner	N272 11.09.06	1	N272 11.09.06	1
17	Plug	N272 11.09.07	1	N272 11.09.07	1
18	Chain 16B2, 91 links + connector (2.35 m)	POD-LAN-000113	1	POD-LAN-000113	1

### 15. HORIZONTAL 2-ROTOR DISC ADAPTER



No.	Part or assembly name	Fig. or index No.			
		N272/1	Volume	N272/2	Volume
19	Chain 20B1, 59 links + connector (1.91 m)	POD-LAN-000114	1	POD-LAN-000114	1
20	Flat bar of the tensioner	N272 11.09.05	2	N272 11.09.05	2
21	Key 14 x 9 x 63	POD-ELZ-000837	1	POD-ELZ-000837	1
22	Key 14 x 9 x 50	POD-ELZ-000691	2	POD-ELZ-000691	2
23	Screw-on disc blade	N272 11.09.08	6	N272 11.09.08	6
24	Bolt 10 x 25 galv. 8.8 82105 82105	23S10/25OC 8.8	8	23S10/25OC 8.8	8
25	Bolt 10 x 80 galv. 8.8 82101	POD-ELZ-000452	2	POD-ELZ-000452	2
26	Allen bolt 10 x 110 galv. 8.8 82302	POD-ELZ-000836	2	POD-ELZ-000836	2
27	Bolt 12 x 35 black 8.8 82105	POD-ELZ-000954	6	POD-ELZ-000954	6
28	Screw 14 x 40 galv. 8.8 82105 82105	23S14/40 8.8	6	23S14/40 8.8	6
29*	Chain wheel, 14 teeth	MB 10.18-30.04	1	MB 10.18-30.04	1
30	Bolt 16 x 40 galv. 8.8 82105 82105	23S16/40 8.8OC	12	23S16/40 8.8OC	12
31	Spring washer 10.2 galv. 82008 82008	23P10SP	2	23P10SP	2
32	Round washer 30 galv. 82005 82005	23P10 82005	10	23P10 82005	10
33	Spring washer 12 galv. 82008 82008	23P12SP	3	23P12SP	3
34	Round washer 12 galv. 82005	23P12OC	9	23P12OC	9
35	Locking washer	N272 11.09.02	3	N272 11.09.02	3
36	Spring washer 14.2 galv. 82008 82008	23P14SP	2	23P14SP	2

### 15. HORIZONTAL 2-ROTOR DISC ADAPTER



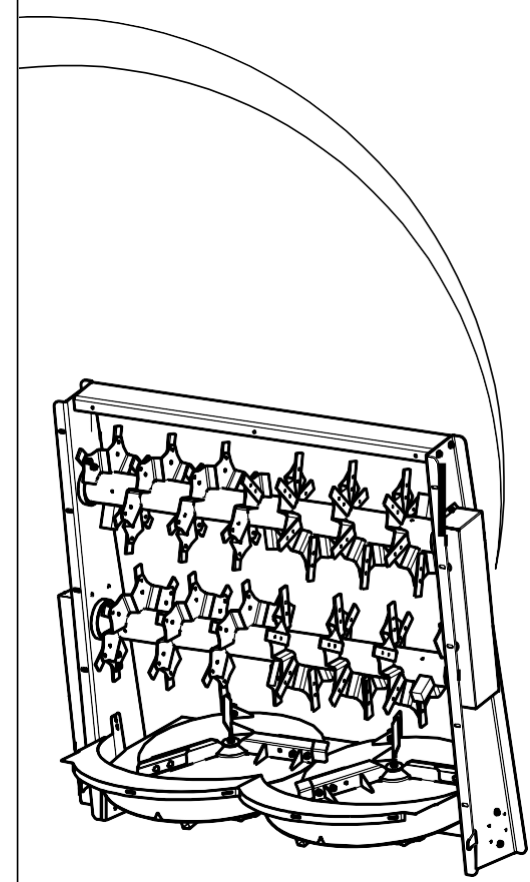
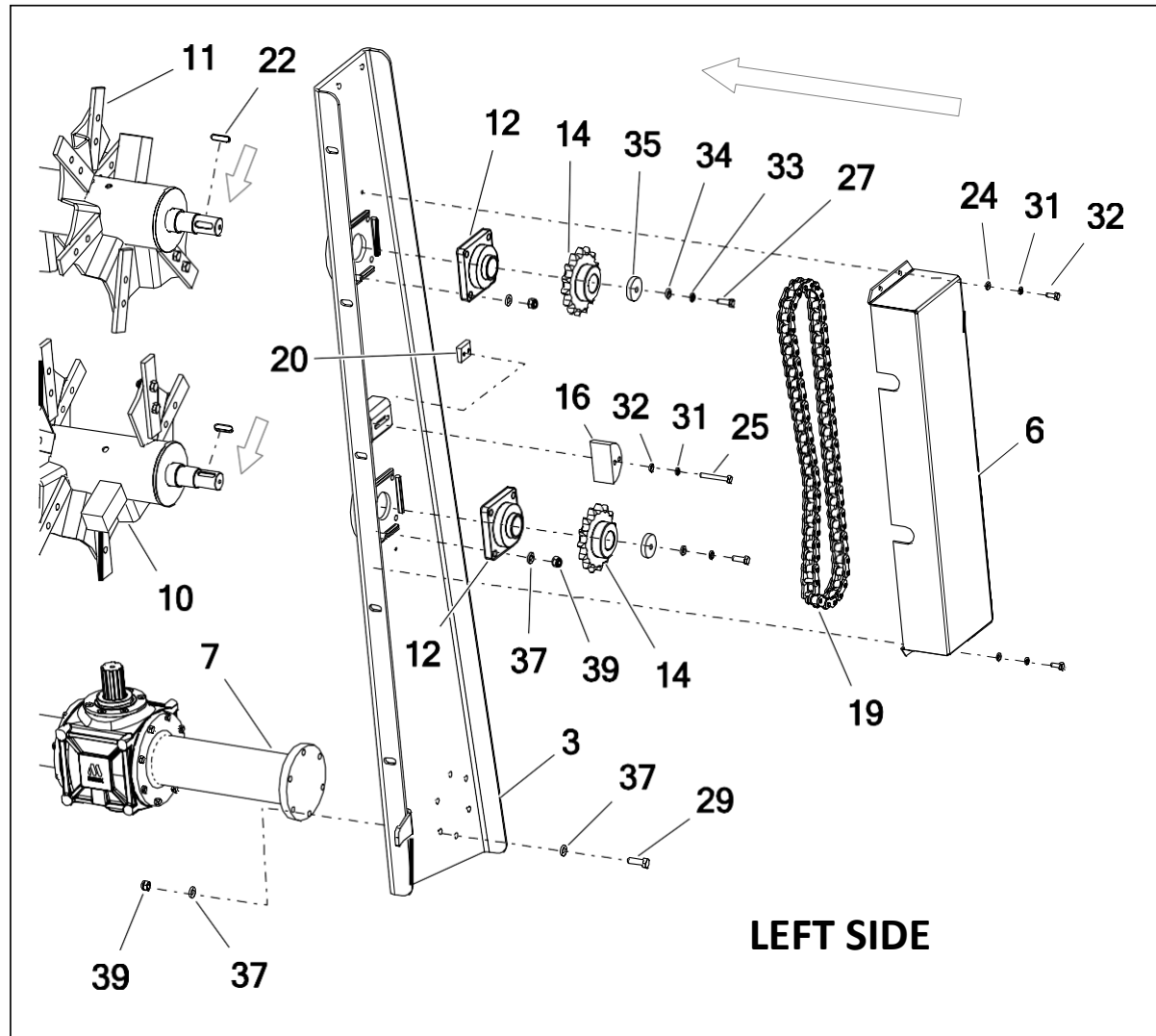
No.	Part or assembly name	Fig. or index No.			
		N272/1	Volume	N272/2	Volume
37	Round washer 14 galv. 82005 82005	23P14OC	60	23P14OC	60
38	Thrust washer	N272 11.09.10	2	N272 11.09.10	2
39	Self-locking nut M14 galv. 82175 8 82175 8	23NS14OC	35	23NS14OC	35
40	Self-locking nut M16 galv. 82175 8 82175 8	23NS16OC	12	23NS16OC	12
41	Self-locking nut M10 galv. 82175 82175 8	23NS10OC	4	23NS10OC	4
42	Bolt 10 x 30 galv. 8.8 82105 82105	23S10/30OC 8.8	4	23S10/30OC 8.8	4
43	Lower guard	N272 13.02.00	1	N272 13.02.00	1
44*	Bolt M12 x 45-8.8	PN-EN ISO 2009:1999	1	PN-EN ISO 2009:1999	1
45*	Parallel key B 14 x 9 x 60	PN-70/M-85005	1	PN-70/M-85005	1
46*	Pressure pad	MB 10.18-30.05	1	MB 10.18-30.05	1
47*	Spring washer ø12.2	PN-77/M-82008	1	PN-77/M-82008	1

**Key:**

13\*, 14\*, 29\*, 44\*, 45\*, 46\*, 47\* - included as part of the following set: gearbox MB10.18, complete (4 chain wheels) - **POD-WPS-000190**

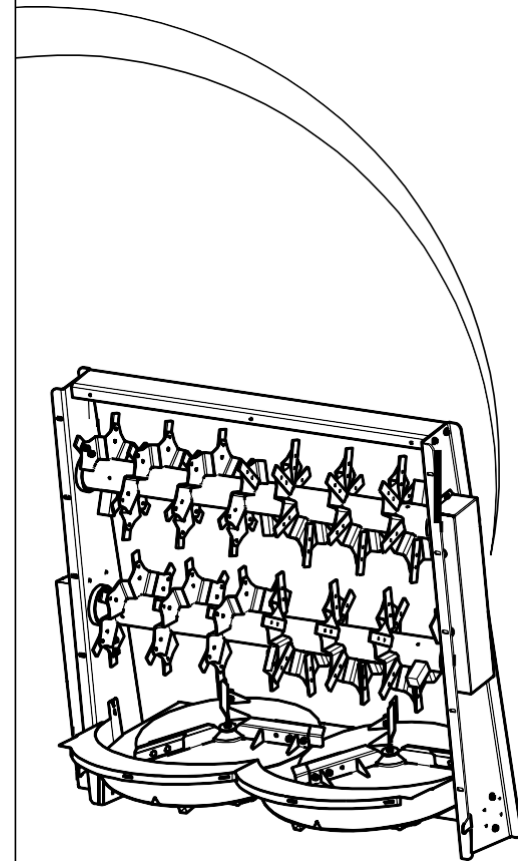
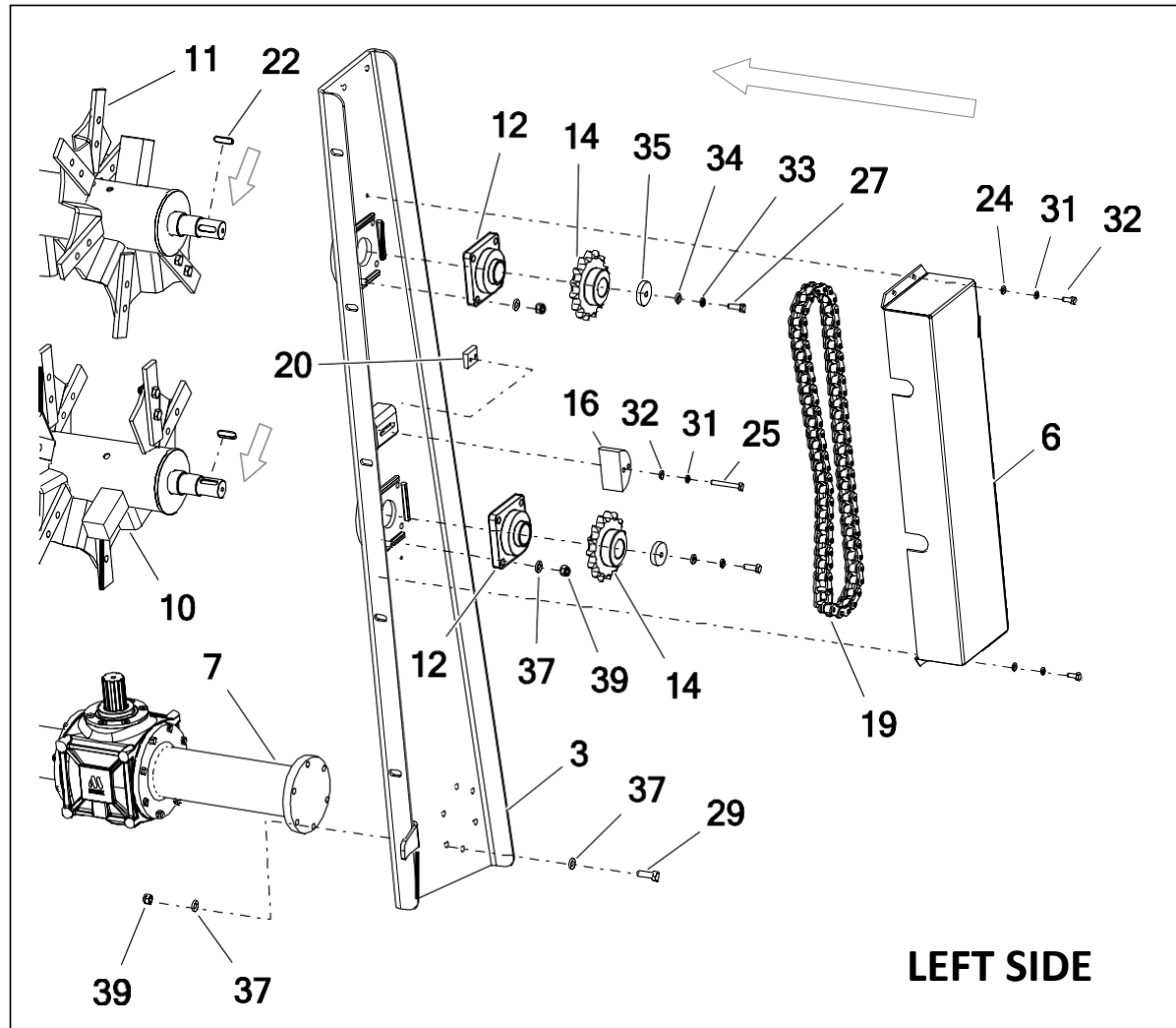


**15. HORIZONTAL 2-ROTOR DISC ADAPTER**



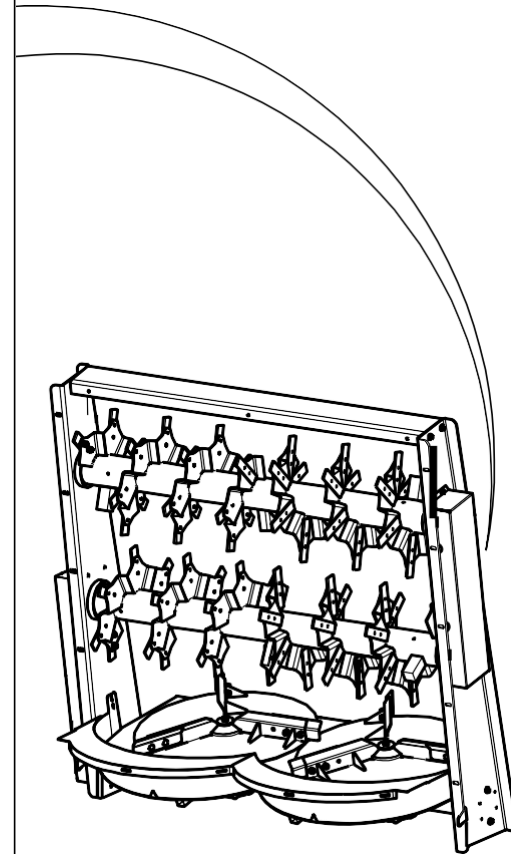
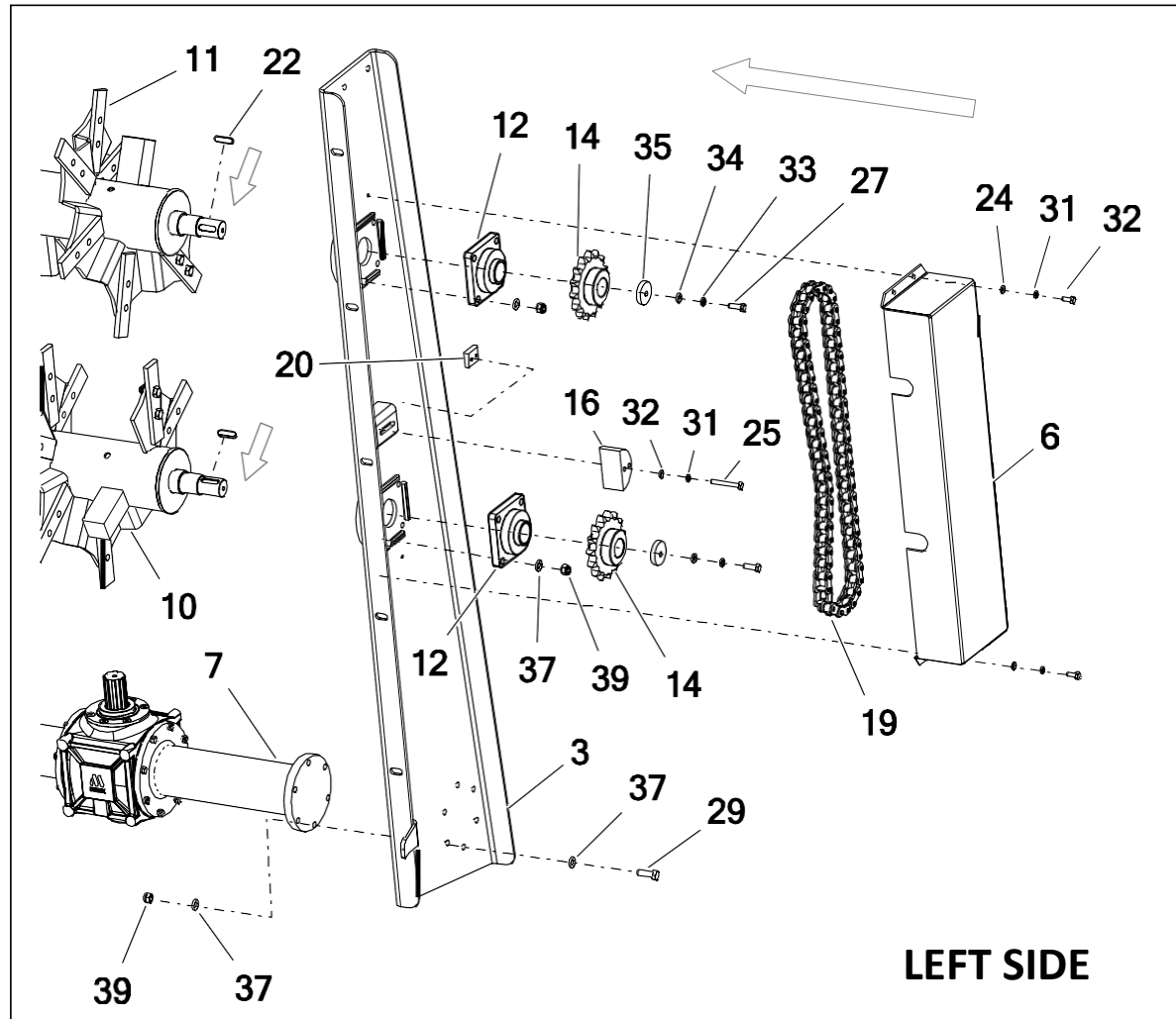
No.	Part or assembly name	Fig. or index No.			
		N272/1	Volume	N272/2	Volume
1	Top guard of the adapter	N272 03.00.08	1	N272 03.00.08	1
2	Top bar	N272 11.04.00	1	N272 11.04.00	1
3	Left frame	N272 11.02.00	1	N272 11.02.00	1
4	Right frame	N272 11.03.00	1	N272 11.03.00	1
5	Bottom guard, complete	N272 11.07.00	1	N272 11.07.00	1
6	Upper guard, complete	N272 11.08.00	1	N272 11.08.00	1
7	Gear MB10.18, complete	POD-WPS-000190	1	POD-WPS-000190	1
8	Left bottom disc	N272 11.01.00.1L	1	N272 11.01.00.1L	1
9	Right bottom disc	N272 11.01.00.1P	1	N272 11.01.00.1P	1
10	Bottom auger	N272 11.05.00	1	N272 11.05.00	1
11	Top auger	N272 11.06.00	1	N272 11.06.00	1
12	Bearing assembly LEFG 210 TDT	POD-LOZ-000357	4	POD-LOZ-000357	4
13*	Chain wheel, 24 teeth	MBS 10.18-02	1	MBS 10.18-02	1
14*	Drive wheel, 15 teeth	MBS 10.18-01	2	MBS 10.18-01	2
15	Gearbox chain tensioner	N272 11.09.09	1	N272 11.09.09	1
16	Gear chain tensioner	N272 11.09.06	1	N272 11.09.06	1
17	Plug	N272 11.09.07	1	N272 11.09.07	1
18	Chain 16B2, 91 links + connector (2.35 m)	POD-LAN-000113	1	POD-LAN-000113	1

**15. HORIZONTAL 2-ROTOR DISC ADAPTER**



No.	Part or assembly name	Fig. or index No.			
		N272/1	Volume	N272/2	Volume
19	Chain 20B1, 59 links + connector (1.91 m)	POD-LAN-000114	1	POD-LAN-000114	1
20	Flat bar of the tensioner	N272 11.09.05	2	N272 11.09.05	2
21	Key 14 x 9 x 63	POD-ELZ-000837	1	POD-ELZ-000837	1
22	Key 14 x 9 x 50	POD-ELZ-000691	2	POD-ELZ-000691	2
23	Screw-on disc blade	N272 11.09.08	6	N272 11.09.08	6
24	Bolt 10 x 25 galv. 8.8 82105 82105	23S10/25OC 8.8	8	23S10/25OC 8.8	8
25	Bolt 10 x 80 galv. 8.8 82101	POD-ELZ-000452	2	POD-ELZ-000452	2
26	Allen bolt 10 x 110 galv. 8.8 82302	POD-ELZ-000836	2	POD-ELZ-000836	2
27	Bolt 12 x 35 black 8.8 82105	POD-ELZ-000954	6	POD-ELZ-000954	6
28	Screw 14 x 40 galv. 8.8 82105 82105	23S14/40 8.8	6	23S14/40 8.8	6
29*	Chain wheel, 14 teeth	MB 10.18-30.04	1	MB 10.18-30.04	1
30	Bolt 16 x 40 galv. 8.8 82105 82105	23S16/40 8.8OC	12	23S16/40 8.8OC	12
31	Spring washer 10.2 galv. 82008 82008	23P10SP	2	23P10SP	2
32	Round washer 30 galv. 82005 82005	23P10 82005	10	23P10 82005	10
33	Spring washer 12 galv. 82008 82008	23P12SP	3	23P12SP	3
34	Round washer 12 galv. 82005	23P12OC	9	23P12OC	9
35	Locking washer	N272 11.09.02	3	N272 11.09.02	3
36	Spring washer 14.2 galv. 82008 82008	23P14SP	2	23P14SP	2

### 15. HORIZONTAL 2-ROTOR DISC ADAPTER

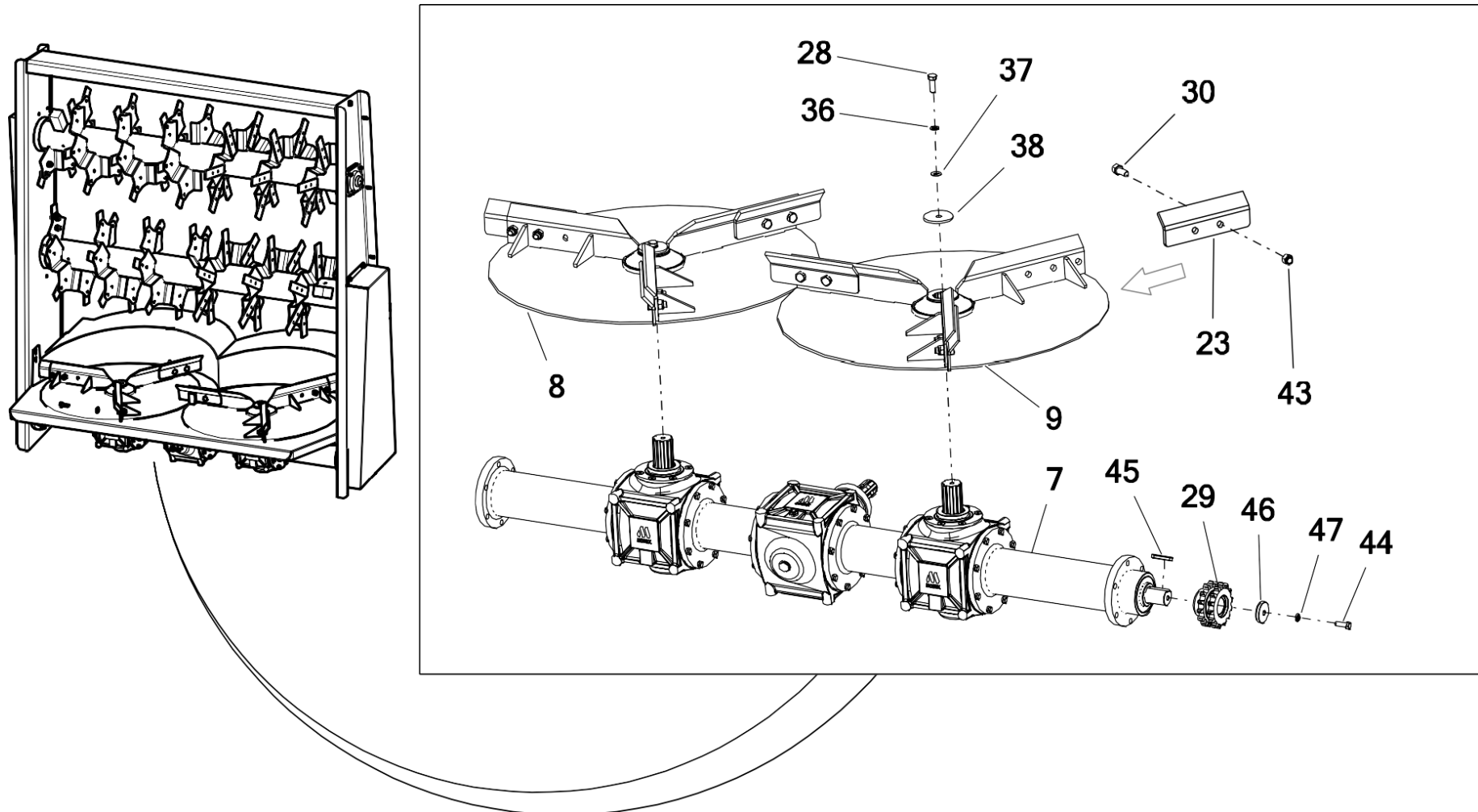


No.	Part or assembly name	Fig. or index No.			
		N272/1	Volume	N272/2	Volume
37	Round washer 14 galv. 82005 82005	23P14OC	60	23P14OC	60
38	Thrust washer	N272 11.09.10	2	N272 11.09.10	2
39	Self-locking nut M14 galv. 82175 8 82175 8	23NS14OC	35	23NS14OC	35
40	Self-locking nut M16 galv. 82175 8 82175 8	23NS16OC	12	23NS16OC	12
41	Self-locking nut M10 galv. 82175 82175 8	23NS10OC	4	23NS10OC	4
42	Bolt 10 x 30 galv. 8.8 82105 82105	23S10/30OC 8.8	4	23S10/30OC 8.8	4
43	Lower guard	N272 13.02.00	1	N272 13.02.00	1
44*	Bolt M12 x 45-8.8	PN-EN ISO 2009:1999	1	PN-EN ISO 2009:1999	1
45*	Parallel key B 14 x 9 x 60	PN-70/M-85005	1	PN-70/M-85005	1
46*	Pressure pad	MB 10.18-30.05	1	MB 10.18-30.05	1
47*	Spring washer ø12.2	PN-77/M-82008	1	PN-77/M-82008	1

**Key:**

**13\*, 14\*, 29\*, 44\*, 45\*, 46\*, 47\*** - included as part of the following set: gearbox MB10.18, complete (4 chain wheels) - **POD-WPS-000190**

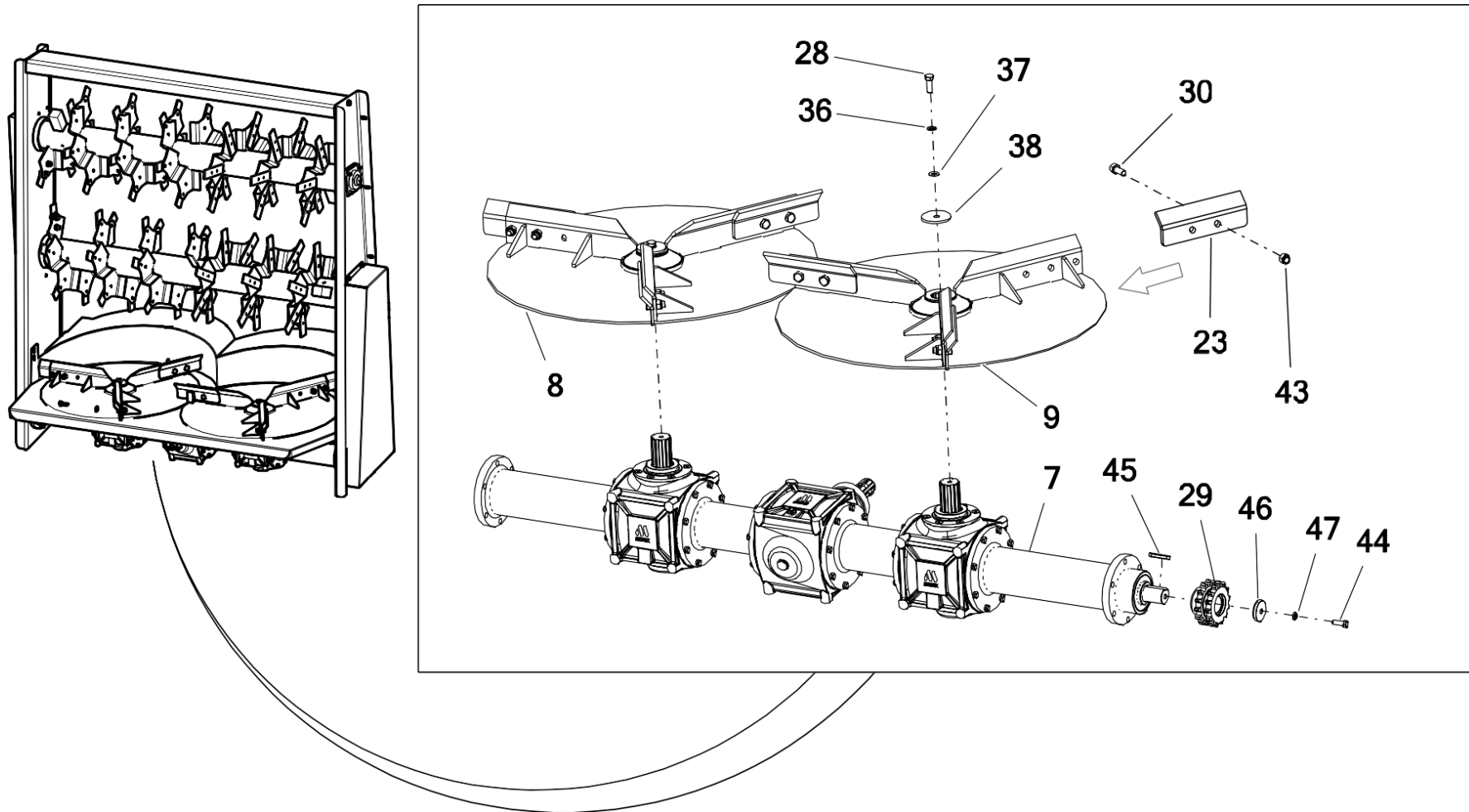
**15. HORIZONTAL 2-ROTOR DISC ADAPTER**



No.	Part or assembly name	Fig. or index No.			
		N272/1	Volume	N272/2	Volume
1	Top guard of the adapter	N272 03.00.08	1	N272 03.00.08	1
2	Top bar	N272 11.04.00	1	N272 11.04.00	1
3	Left frame	N272 11.02.00	1	N272 11.02.00	1
4	Right frame	N272 11.03.00	1	N272 11.03.00	1
5	Bottom guard, complete	N272 11.07.00	1	N272 11.07.00	1
6	Upper guard, complete	N272 11.08.00	1	N272 11.08.00	1
7	Gear MB10.18, complete	POD-WPS-000190	1	POD-WPS-000190	1
8	Left bottom disc	N272 11.01.00.1L	1	N272 11.01.00.1L	1
9	Right bottom disc	N272 11.01.00.1P	1	N272 11.01.00.1P	1
10	Bottom auger	N272 11.05.00	1	N272 11.05.00	1
11	Top auger	N272 11.06.00	1	N272 11.06.00	1
12	Bearing assembly LEFG 210 TDT	POD-LOZ-000357	4	POD-LOZ-000357	4
13*	Chain wheel, 24 teeth	MBS 10.18-02	1	MBS 10.18-02	1
14*	Drive wheel, 15 teeth	MBS 10.18-01	2	MBS 10.18-01	2
15	Gearbox chain tensioner	N272 11.09.09	1	N272 11.09.09	1
16	Gear chain tensioner	N272 11.09.06	1	N272 11.09.06	1
17	Plug	N272 11.09.07	1	N272 11.09.07	1
18	Chain 16B2, 91 links + connector (2.35 m)	POD-LAN-000113	1	POD-LAN-000113	1

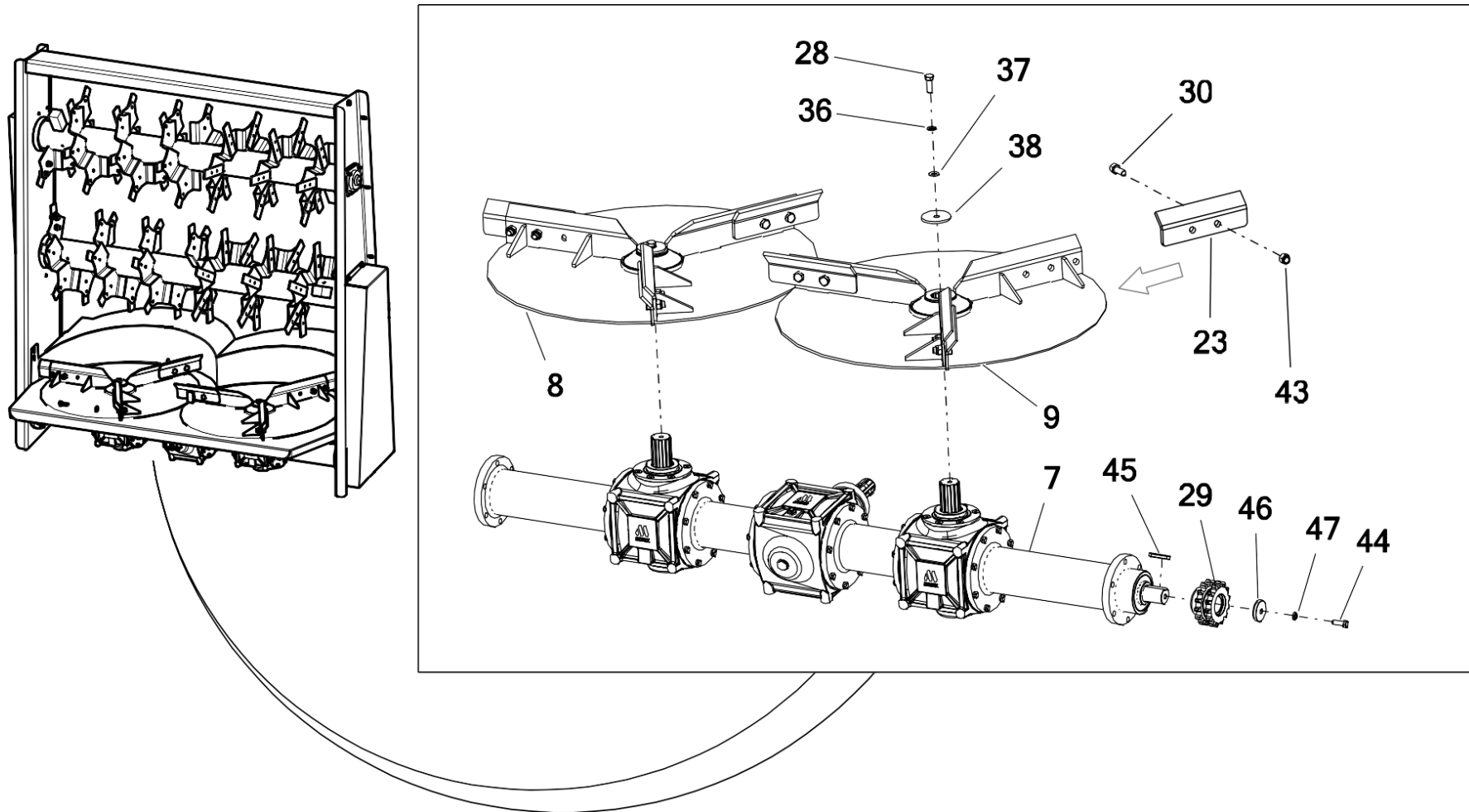


**15. HORIZONTAL 2-ROTOR DISC ADAPTER**



No.	Part or assembly name	Fig. or index No.			
		N272/1	Volume	N272/2	Volume
19	Chain 20B1, 59 links + connector (1.91 m)	POD-LAN-000114	1	POD-LAN-000114	1
20	Flat bar of the tensioner	N272 11.09.05	2	N272 11.09.05	2
21	Key 14 x 9 x 63	POD-ELZ-000837	1	POD-ELZ-000837	1
22	Key 14 x 9 x 50	POD-ELZ-000691	2	POD-ELZ-000691	2
23	Screw-on disc blade	N272 11.09.08	6	N272 11.09.08	6
24	Bolt 10 x 25 galv. 8.8 82105 82105	23S10/25OC 8.8	8	23S10/25OC 8.8	8
25	Bolt 10 x 80 galv. 8.8 82101	POD-ELZ-000452	2	POD-ELZ-000452	2
26	Allen bolt 10 x 110 galv. 8.8 82302	POD-ELZ-000836	2	POD-ELZ-000836	2
27	Bolt 12 x 35 black 8.8 82105	POD-ELZ-000954	6	POD-ELZ-000954	6
28	Screw 14 x 40 galv. 8.8 82105 82105	23S14/40 8.8	6	23S14/40 8.8	6
29*	Chain wheel, 14 teeth	MB 10.18-30.04	1	MB 10.18-30.04	1
30	Bolt 16 x 40 galv. 8.8 82105 82105	23S16/40 8.8OC	12	23S16/40 8.8OC	12
31	Spring washer 10.2 galv. 82008 82008	23P10SP	2	23P10SP	2
32	Round washer 30 galv. 82005 82005	23P10 82005	10	23P10 82005	10
33	Spring washer 12 galv. 82008 82008	23P12SP	3	23P12SP	3
34	Round washer 12 galv. 82005	23P12OC	9	23P12OC	9
35	Locking washer	N272 11.09.02	3	N272 11.09.02	3
36	Spring washer 14.2 galv. 82008 82008	23P14SP	2	23P14SP	2

**15. HORIZONTAL 2-ROTOR DISC ADAPTER**

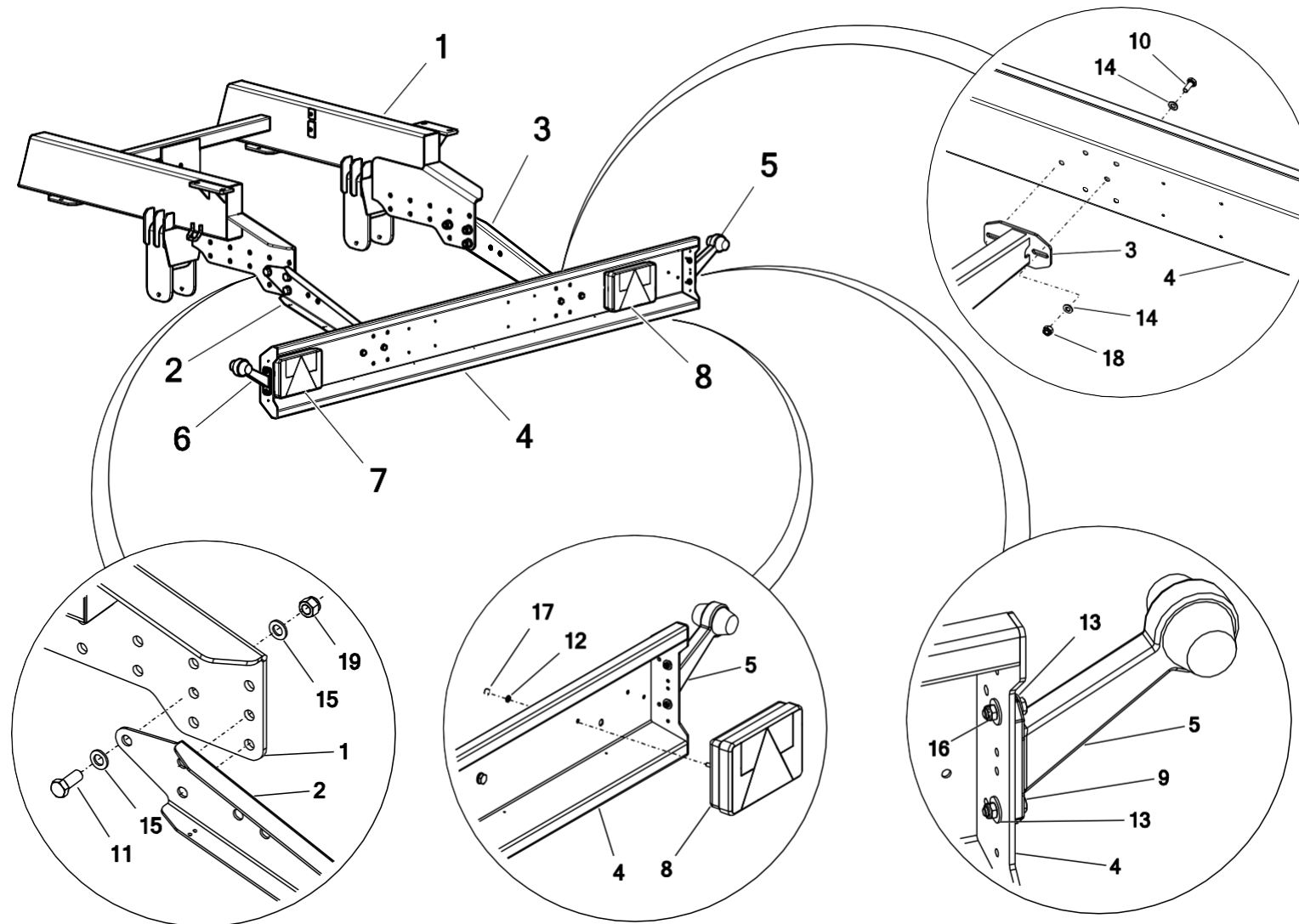


No.	Part or assembly name	Fig. or index No.			
		N272/1	Volume	N272/2	Volume
37	Round washer 14 galv. 82005 82005	23P14OC	60	23P14OC	60
38	Thrust washer	N272 11.09.10	2	N272 11.09.10	2
39	Self-locking nut M14 galv. 82175 8 82175 8	23NS14OC	35	23NS14OC	35
40	Self-locking nut M16 galv. 82175 8 82175 8	23NS16OC	12	23NS16OC	12
41	Self-locking nut M10 galv. 82175 82175 8	23NS10OC	4	23NS10OC	4
42	Bolt 10 x 30 galv. 8.8 82105 82105	23S10/30OC 8.8	4	23S10/30OC 8.8	4
43	Lower guard	N272 13.02.00	1	N272 13.02.00	1
44*	Bolt M12 x 45-8.8	PN-EN ISO 2009:1999	1	PN-EN ISO 2009:1999	1
45*	Parallel key B 14 x 9 x 60	PN-70/M-85005	1	PN-70/M-85005	1
46*	Pressure pad	MB 10.18-30.05	1	MB 10.18-30.05	1
47*	Spring washer ø12.2	PN-77/M-82008	1	PN-77/M-82008	1

**Key:**

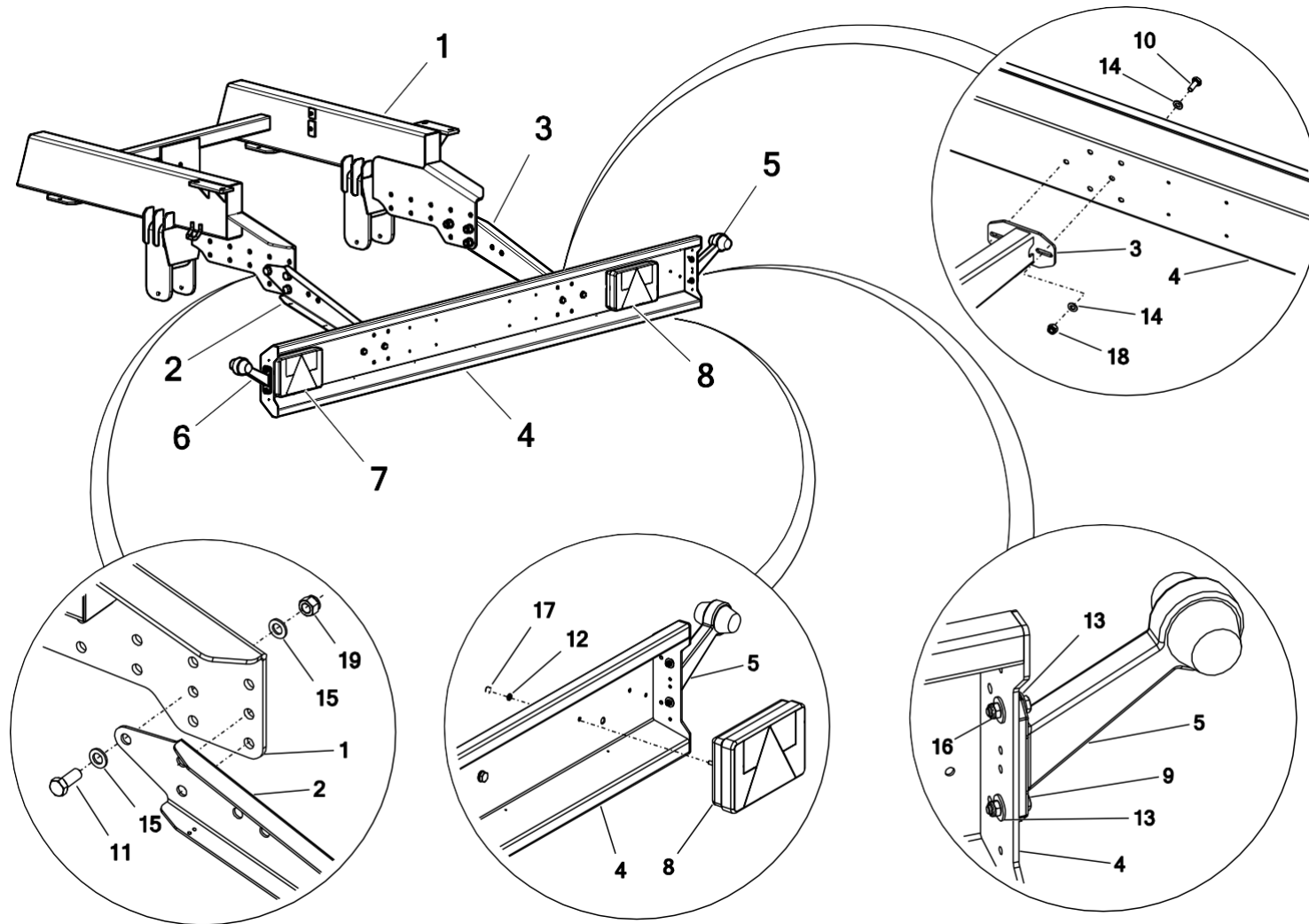
13\*, 14\*, 29\*, 44\*, 45\*, 46\*, 47\* - included as part of the following set: gearbox MB10.18, complete (4 chain wheels) - **POD-WPS-000190**

### 16. LIGHT BAR, COMPLETE



No.	Part or assembly name	Fig. or index No.			
		N272/1	Volume	N272/2	Volume
1	Lower frame	N272 01.00.00.1	1	N272 01.00.00.1	1
2	Light bar mounting, left side	N272 12.02.00L	1	N272 12.02.00L	1
3	Light bar mounting, right side	N272 12.02.00P	1	N272 12.02.00P	1
4	Light bar, complete	N272 12.00.00	1	N272 12.00.00	1
5	Bulb marker lamp on an extension arm HOR50 LO356/P, right side	POD-ELK-000117	1	POD-ELK-000117	1
6	Bulb marker lamp on an extension arm HOR50 LO356/L, left side	POD-ELK-000118	1	POD-ELK-000118	1
7	Bulb lamp cluster HOR45 LZT471, left side	POD-ELK-000012-1	1	POD-ELK-000012-1	1
8	Bulb lamp cluster HOR45 LZT478, right side	POD-ELK-000013-1	1	POD-ELK-000013-1	1
9	Bolt 6 x 25 galv. 8.8 82105	23S6/25OC 105	4	23S6/25OC 105	4
10	Bolt 10 x 25 galv. 8.8 82105 82105	23S10/25OC 8.8	4	23S10/25OC 8.8	4
11	Screw 16 x 40 black 8.8 82105 82105	23S16/45	6	23S16/45	6
12	Nut M6 galv. 82144 5 82144 5	23N6OC	4	23N6OC	4

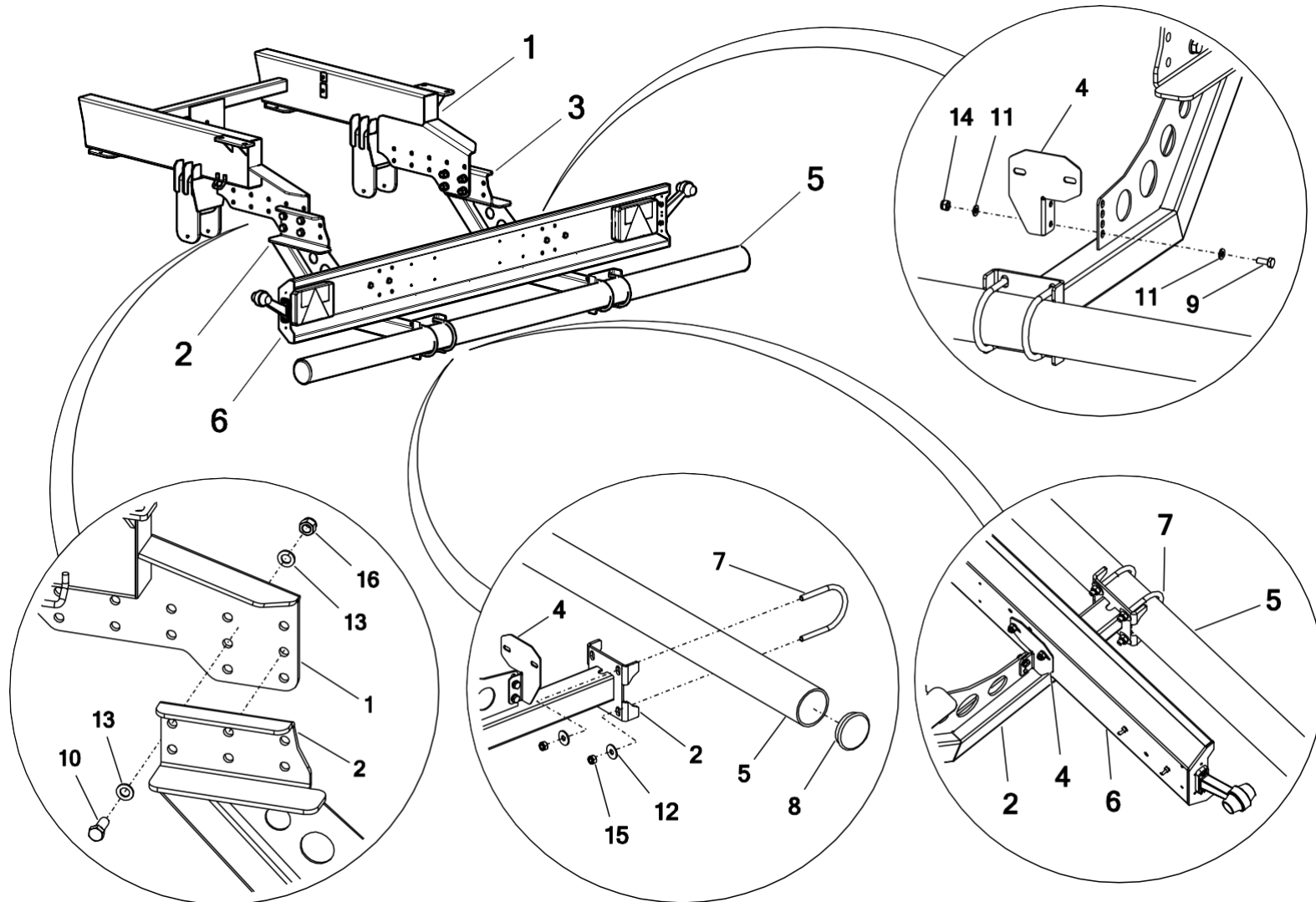
### 16. LIGHT BAR, COMPLETE



No.	Part or assembly name	Fig. or index No.			
		N272/1	Volume	N272/2	Volume
13	Round washer 6 galv. coated 82030	23P6OC030	8	23P6OC030	8
14	Round washer 30 galv. 82005 82005	23P10 82005	8	23P10 82005	8
15	Round washer 16 galv. 82005 82005	23P16OOC	6	23P16OOC	6
16	Self-locking nut M6 galv. 82175 8 82175 8	23NS6OC	4	23NS6OC	4
17	Self-locking nut M6 galv. 82175 8 82175 8	23NS6OC	4	23NS6OC	4
18	Self-locking nut M10 galv. 82175 8 82175 8	23NS10OC	4	23NS10OC	4
19	Self-locking nut M16 x 1.5 galv. 82175 8	POD-ELZ-000381	6	POD-ELZ-000381	6



### 17. RUN BAR (MANSFIELD BAR), COMPLETE (OPTIONAL)

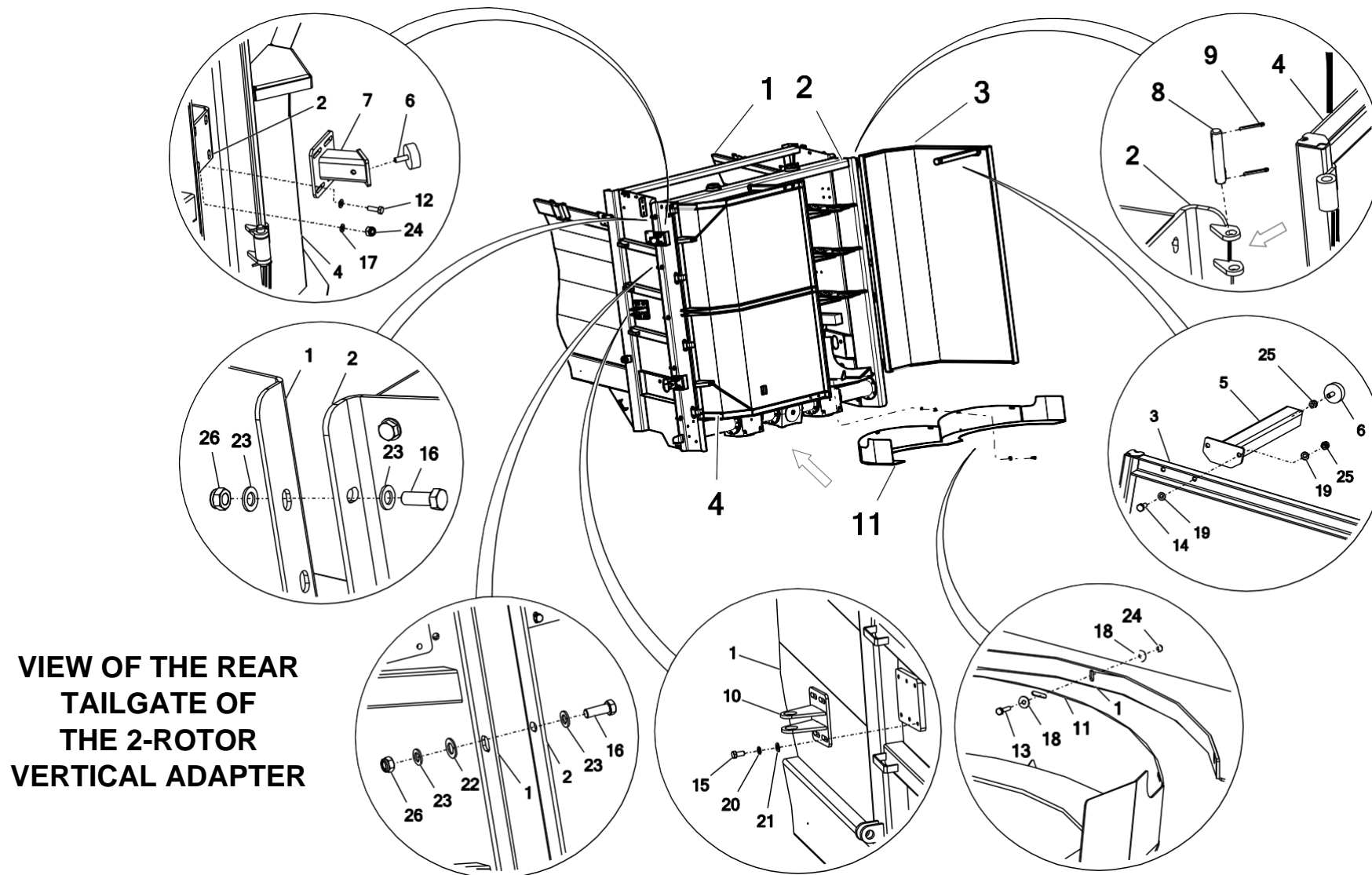


No.	Part or assembly name	Fig. or index No.			
		N272/1	Volume	N272/2	Volume
1	Lower frame	N272 01.00.00.1	1	N272 01.00.00.1	1
2*	Bar mounting, left side	N272-3 01.13.00L	1	N272-3 01.13.00L	1
3*	Bar mounting, right side	N272-3 01.13.00P	1	N272-3 01.13.00P	1
4*	Light bar mounting	N272-3 01.12.03	2	N272-3 01.12.03	2
5*	Run bar pipe	N272-3 01.12.01	1	N272-3 01.12.01	1
6	Light bar, complete	N272 12.00.00	1	N272 12.00.00	1
7*	Run bar U-bolt clamp	N272-3 01.12.02	4	N272-3 01.12.02	4
8*	Plastic stopper diam. 101.6	POD-TSZ-000179	2	POD-TSZ-000179	2
9*	Bolt 10 x 30 galv. 8.8 82105 82105	23S10/30OC 8.8	8	23S10/30OC 8.8	8
10*	Screw 16 x 45 galv. 8.8 82105 82105	23S16/45OC	8	23S16/45OC	8
11*	Round washer 30 galv. 82005 82005	23P10 82005	16	23P10 82005	16
12*	Washer, round 12 galv. coat. 82030	23P12OOC	8	23P12OOC	8
13*	Round washer 16 galv. 82005 82005	23P16OOC	8	23P16OOC	8
14*	Self-locking nut M16 x 1.5 galv. 82175 8	POD-ELZ-000381	8	POD-ELZ-000381	8
15*	Self-locking nut M12 galv. 82175 8 82175 8	23NS12OC	8	23NS12OC	8
16*	Self-locking nut M16 x 1.5 galv. 82175 8	POD-ELZ-000381	8	POD-ELZ-000381	8

**Key:**

**2\* - 5\*, 7\* - 16\*** - included in: Run bar set - **N272-3 01.12.00**

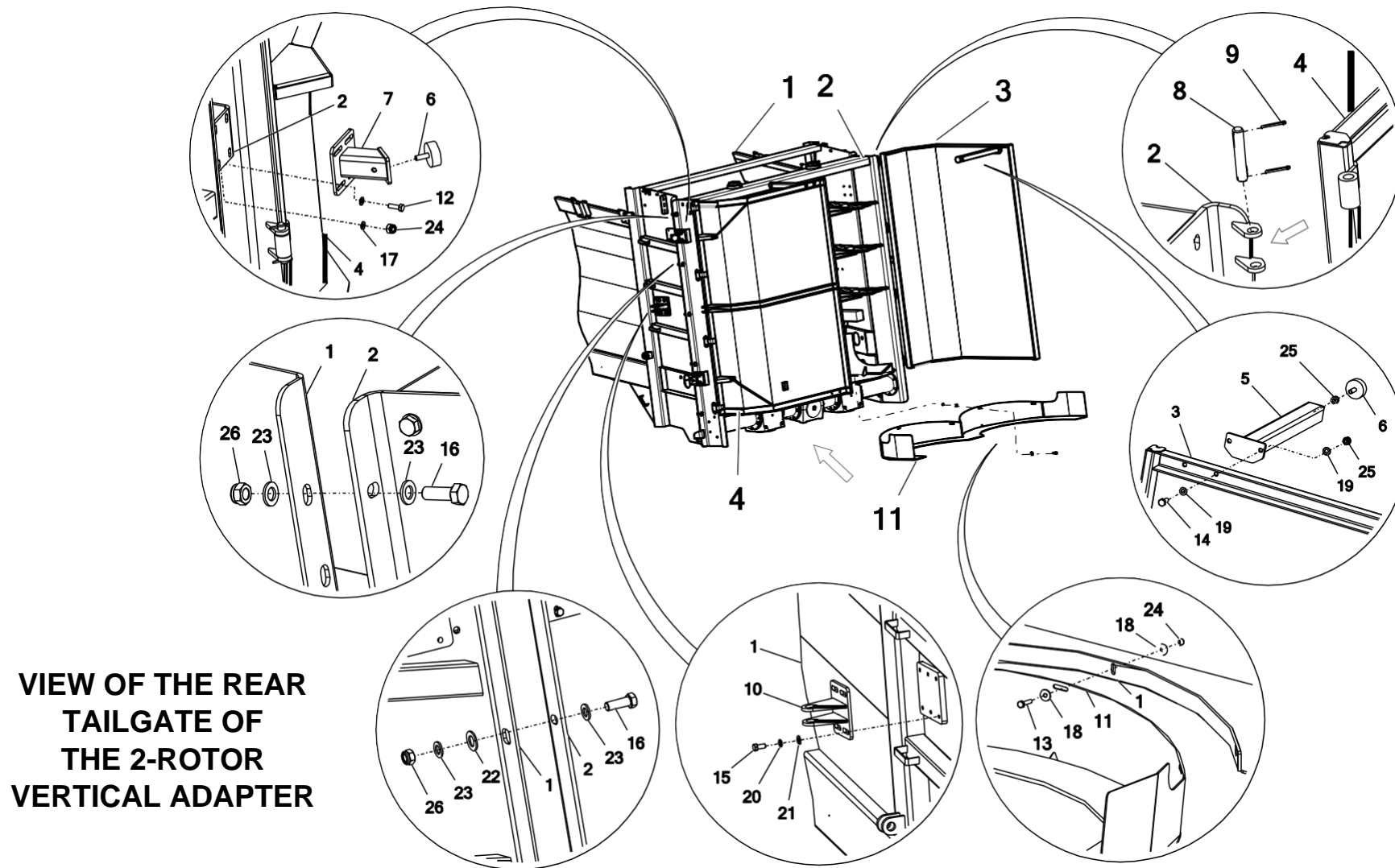
### 18. TAILGATE (2- AND 4-ROTOR VERTICAL ADAPTER)



**VIEW OF THE REAR  
TAILGATE OF  
THE 2-ROTOR  
VERTICAL ADAPTER**

No.	Part or assembly name	Fig. or index No.			
		N272/1	Volume	N272/2	Volume
1	Body	N272-1 03.01.00.5	1	N272 03.01.00.5	1
2	2-rotor vertical adapter 2000 x 1680 (1000 RPM) TAURUS N272 10.00.00	N272 10.00.00	1	N272 10.00.00	1
2*	4-rotor vertical adapter 2000 x 1480 (540 RPM) TAURUS N272 10.00.00.1-A4	N272 10.00.00.1-A4	1	N272 10.00.00.1-A4	1
3	Vertical adapter guard, right side	N272 10.07.00.2P	1	N272 10.07.00.2P	1
3*	4-rotor vertical adapter guard, right side N272-1 10.07.00P	N272-1 10.07.00P	1	N272-1 10.07.00P	1
4	Vertical adapter guard, left side	N272 10.07.00.2L	1	N272 10.07.00.2L	1
4*	4-rotor vertical adapter guard, left side N272-1 10.07.00L	N272-1 10.07.00L	1	N272-1 10.07.00L	1
5	Tailgate top spacer	N272 10.08.00	2	N272 10.08.00	2
6	Rubber bumper 50 x 18 M10	POD-TSZ-000107	6	POD-TSZ-000107	6
7	Side lock	N272 10.09.030.1	4	N272 10.09.030.1	4
8	Guard pin	N272 10.04.30	8	N272 10.04.30	8
9	Cotter pin 4 x 32 galv.	POD-ELZ-000542	16	POD-ELZ-000542	16
10	Cylinder mounting	N272 03.36.00.1	2	N272 03.36.00.1	2
11	Bottom guard of the adapter	N272-3 13.00.00	1	N272-3 13.00.00	1
11*	Bottom guard of the 4-rotor adapter N272 13.03.00	N272 13.03.00	1	N272 13.03.00	1
12	Bolt 8 x 25 galv. 8.8 82105 82105	23S8/25OC8.8	16	23S8/25OC8.8	16
13	Bolt 8 x 35 galv. 8.8 82105 82105	23S8/35OC 8.8	6	23S8/35OC 8.8	6

### 18. TAILGATE (2- AND 4-ROTOR VERTICAL ADAPTER)



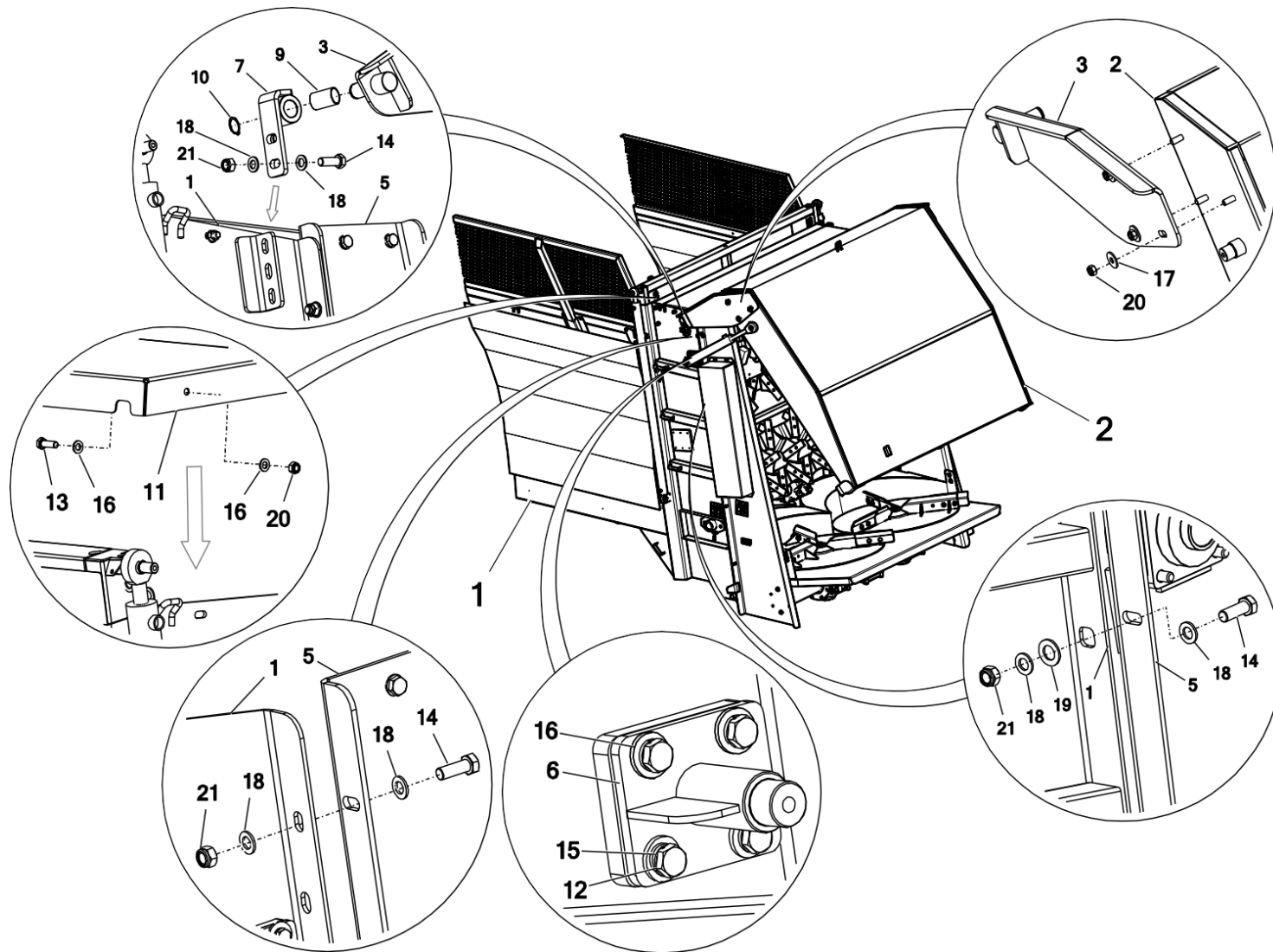
**VIEW OF THE REAR  
TAILGATE OF  
THE 2-ROTOR  
VERTICAL ADAPTER**

No.	Part or assembly name	Fig. or index No.			
		N272/1	Volume	N272/2	Volume
14	Bolt 10 x 25 galv. 8.8 82105 82105	23S10/25OC 8.8	4	23S10/25OC 8.8	4
15	Bolt 12 x 25 galv. 10.9 82105	POD-ELZ-000689	8	POD-ELZ-000689	8
16	Bolt 16 x 45 galv. 8.8 82105 82105	23S16/45OC	10	23S16/45OC	10
17	Round washer 8 galv. 82005 82005	23P8OOC	32	23P8OOC	32
18	Round washer 8 galv. coated 82030	23P8OC 82030	12	23P8OC 82030	12
19	Round washer 30 galv. 82005 82005	23P10 82005	8	23P10 82005	8
20	Spring washer 12 galv. 82008 82008	23P12SP	8	23P12SP	8
21	Washer, round 12 galv. coat. 82030	23P12OOC	8	23P12OOC	8
22	Round washer 20 galv. 82005 82005	23P20OOC	2	23P20OOC	2
23	Round washer 16 galv. 82005 82005	23P16OOC	20	23P16OOC	20
24	Self-locking nut M8 galv. 82175 8 82175 8	23NS8OC	6	23NS8OC	6
25	Self-locking nut M10 galv. 82175 8 82175 8	23NS10OC	2	23NS10OC	2
26	Self-locking nut M16 galv. 82175 8	23NS16OC	10	23NS16OC	10

**Key:**

2\*, 3\*, 4\*, 11\* - included in: 4-rotor vertical adapter 2000 x 1480 (540 RPM) TAURUS - **N272 10.00.00.1-A4**

## 19. TAILGATE OF THE 2-ROTOR HORIZONTAL DISC ADAPTER

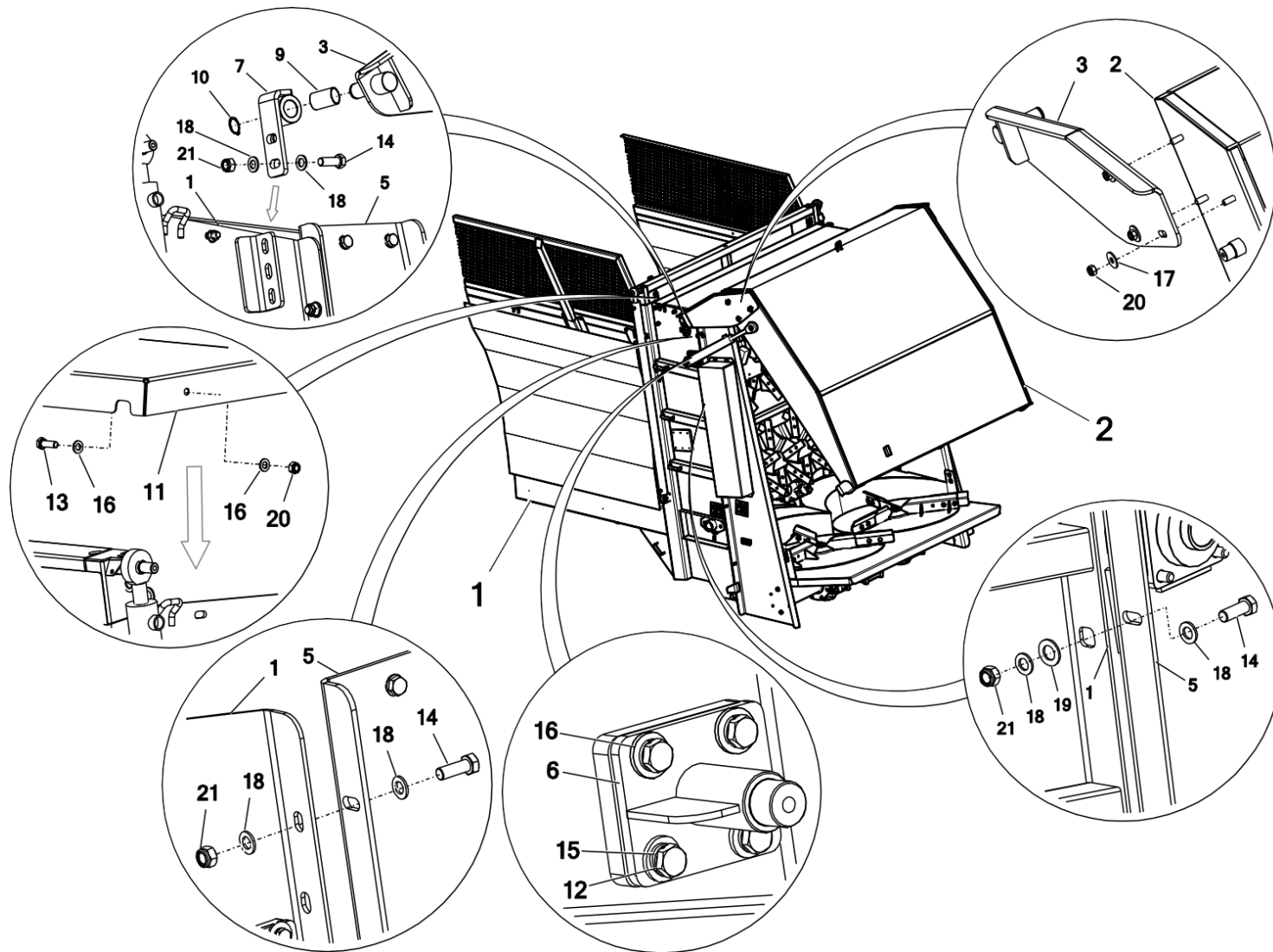




No.	Part or assembly name	Fig. or index No.			
		N272/1	Volume	N272/2	Volume
1	Body	N272-1 03.01.00.5	1	N272 03.01.00.5	1
2	Rear tailgate of the horizontal adapter	N272 17.01.00.1	1	N272 17.01.00.1	1
3	Metal sheet of the tailgate arm, left side	N272 17.02.00.1L	1	N272 17.02.00.1L	1
4	Metal sheet of the tailgate arm, right side	N272 17.02.01.1P	1	N272 17.02.01.1P	1
5	2-rotor horizontal disc adapter 2000 x 1830 (1000 RPM)	N272 11.00.00	1	N272 11.00.00	1
6	Mounting of the horizontal tailgate cylinder	N272 03.38.00	2	N272 03.38.00	2
7	Flap hinge left	N272 17.03.00L	1	N272 17.03.00L	1
8	Flap hinge right	N272 17.03.00P	1	N272 17.03.00P	1
9	Sleeve PAP 3050	25T3050	2	25T3050	2
10	Circlip Z30	23SZ30	2	23SZ30	2
11	Top guard of the adapter	N272 03.00.08	1	N272 03.00.08	1
12	Screw 12 x 25 galv. 8.8 82105 82105	23S12/25OC 8.8	8	23S12/25OC 8.8	8
13	Bolt 12 x 35 galv. 8.8 82105 82105	23S12/35OC 8.8	2	23S12/35OC 8.8	2
14	Bolt 16 x 45 galv.10.9 82105	POD-ELZ-000402	14	POD-ELZ-000402	14
15	Spring washer 12 galv. 82008 82008	23P12SP	8	23P12SP	8

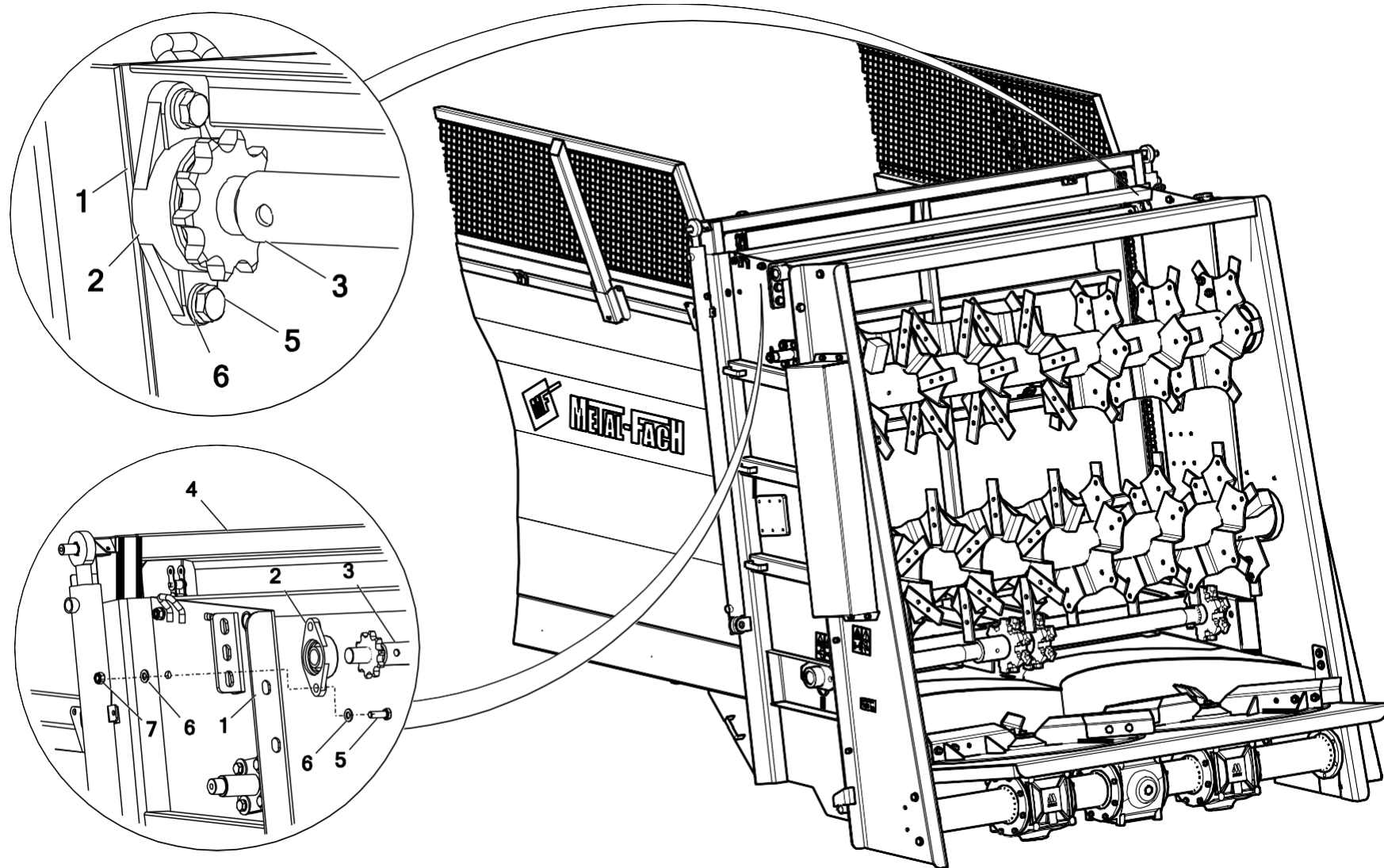


## 19. TAILGATE OF THE 2-ROTOR HORIZONTAL DISC ADAPTER



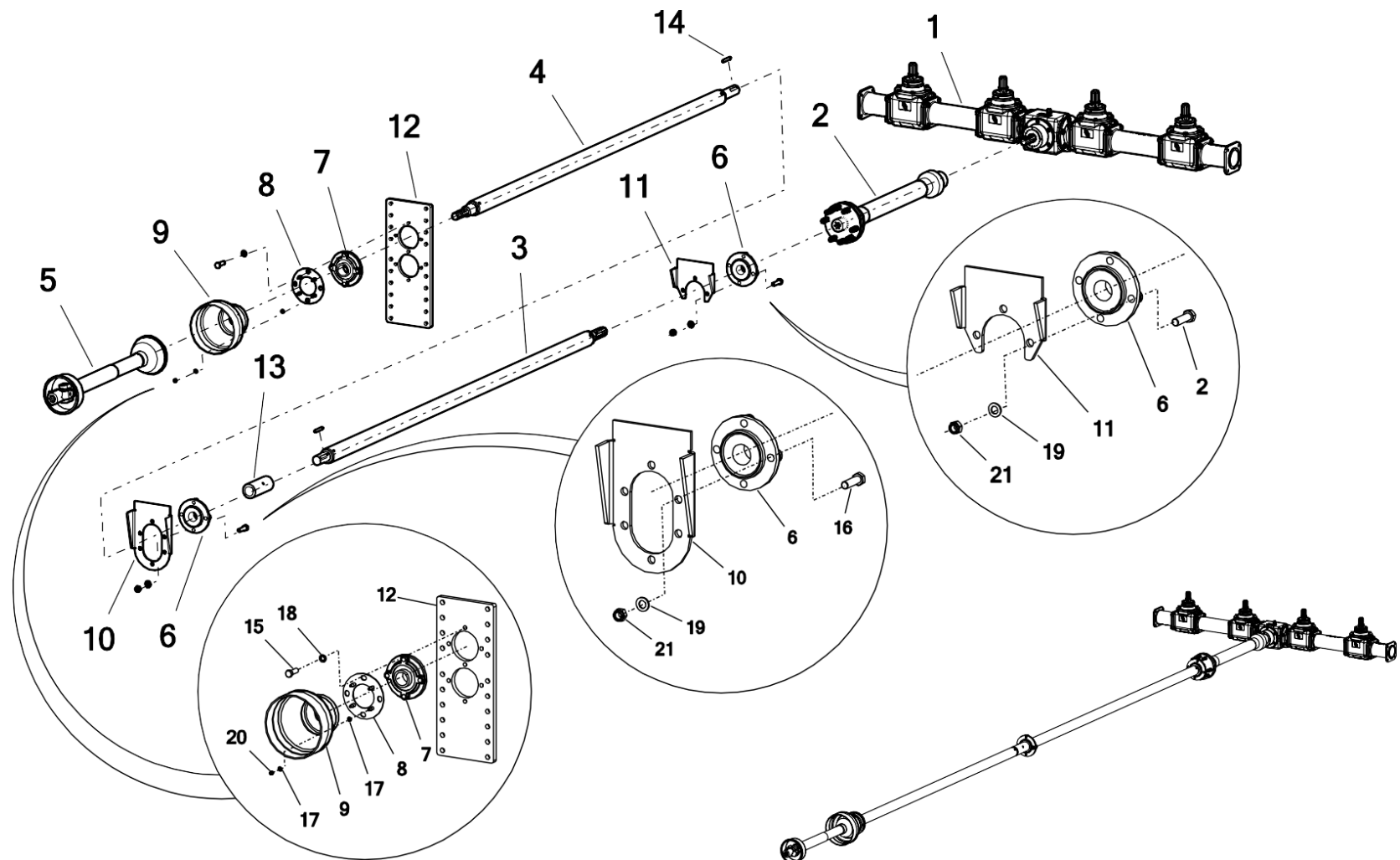
No.	Part or assembly name	Fig. or index No.			
		N272/1	Volume	N272/2	Volume
16	Round washer 12 galv. 82005	23P12OC	4	23P12OC	4
17	Washer, round 12 galv. coat. 82030	23P12OOC	6	23P12OOC	6
18	Round washer 16 galv. 82005 82005	23P16OOC	20	23P16OOC	20
19	Round washer 20 galv. 82005 82005	23P20OOC	2	23P20OOC	2
20	Self-locking nut M12 galv. 82175 8 82175 8	23NS12OC	2	23NS12OC	2
21	Self-locking nut M16 galv. 82175 8 82175 8	23NS16OC	14	23NS16OC	14

## 20. SYNCHRONISER SHAFT, COMPLETE



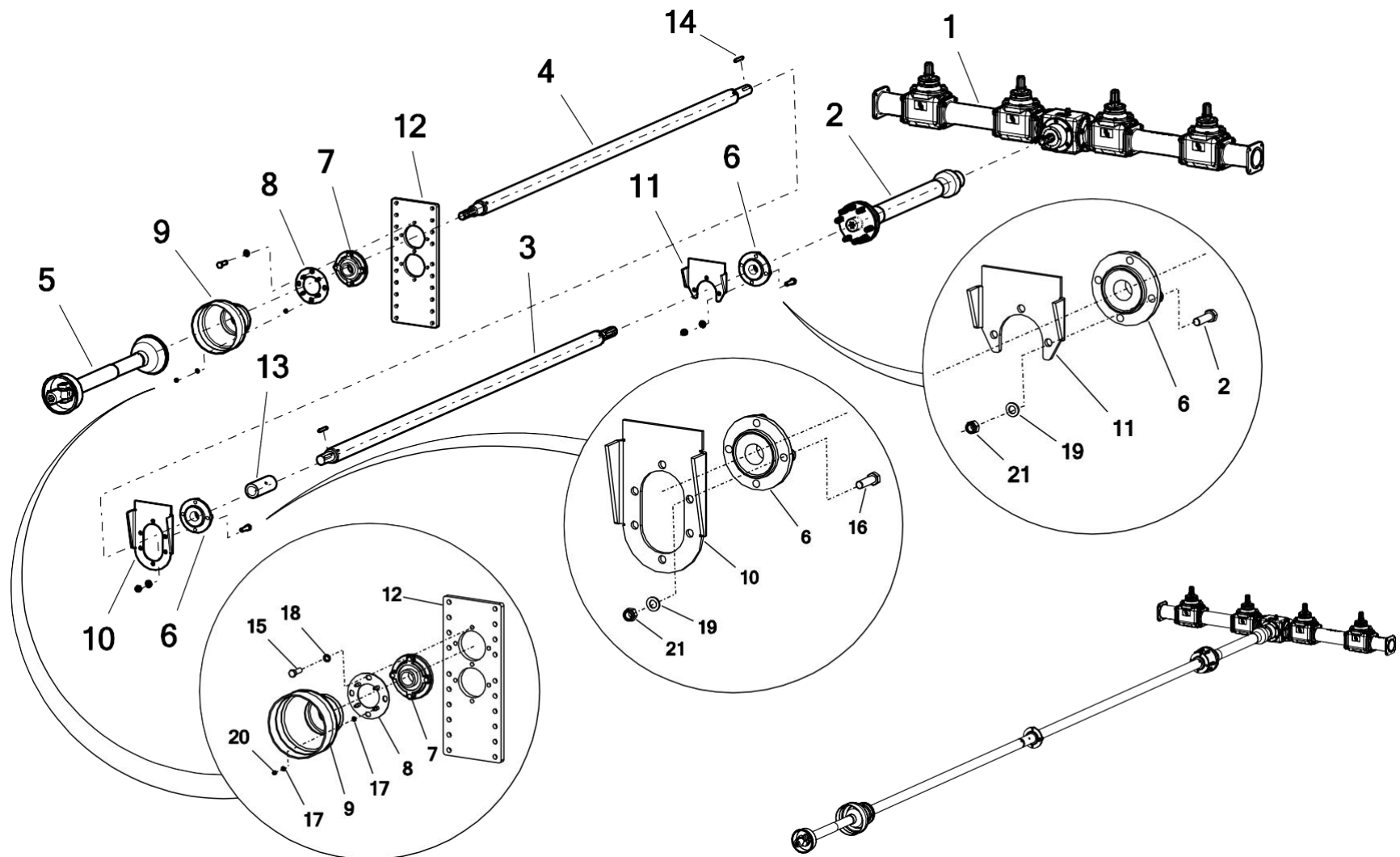
No.	Part or assembly name	Fig. or index No.			
		N272/1	Volume	N272/2	Volume
1	Body	N272-1 03.01.00.5	1	N272 03.01.00.5	1
2	Bearing unit UCFL206	25L206UCFL	2	25L206UCFL	2
3	Synchroniser shaft	N272 14.01.00	1	N272 14.01.00	1
4	Deadbolt set	N272 04.03.00	1	N272 04.03.00	1
5	Bolt 12 x 40 galv. 10.9 82105	POD-ELZ-000421	4	POD-ELZ-000421	4
6	Round washer 12 galv. 82005	23P12OC	8	23P12OC	8
7	Self-locking nut M12 galv. 82175 8 82175 8	23NS12OC	4	23NS12OC	4

## 21. DRIVE SYSTEM OF THE 4-ROTOR VERTICAL ADAPTER



No.	Part or assembly name	Fig. or index No.			
		N272/1	Volume	N272/2	Volume
1	Gearbox PRK-051-01.1AAAA.R1 - complete	POD-WPS-000208	1	POD-WPS-000208	1
2	Articulated shaft 610432/602.C603E/5NW 1300 Nm L= 610/945 1.3/4, coupling: 1.3/8 Z6	POD-WPS-000059	1	POD-WPS-000059	1
3	Rear roller (II)	N272 01.03.20.2	1	N272 01.03.20.2	1
4	Rear roller (I)	N272 01.03.10.2	1	N272 01.03.10.2	1
5	Articulated shaft 680950/802.K68-1/5NW 2700 Nm L=810/1215 M10 1.3/8 Z6	POD-WPS-000261	1	POD-WPS-000261	1
5**	Wide-angle articulated shaft 680660/S802.K68-1/5NW 2700 Nm L=860/1445 1 3/8" Z6	POD-WPS-000229	1	POD-WPS-000229	1
6	Bearing unit 210UCFC	25L210UCFC	2	25L210UCFC	2
7	Bearing unit UCFC209	25L209UCFC	1	25L209UCFC	1
8	Guard mounting	N272 01.03.30	1	N272 01.03.30	1
9	Guard with an inspection hole	POD-TSZ-000204	1	POD-TSZ-000204	1
10*	Bearing support I	N272 01.00.06.1	1	N272 01.00.06.1	1
11*	Bearing metal sheet II	N272 01.00.21.1	1	N272 01.00.21.1	1
12*	Hitch holder	N272 01.00.04.2	1	N272 01.00.04.2	1
13	Coupling bushing	N267 02.04.06 POD-EOS-000293	1	N267 02.04.06 POD-EOS-000293	1
14	Key 12 x 8 x 70 DIN 6885A	POD-ELZ-000433	2	POD-ELZ-000433	2

## 21. DRIVE SYSTEM OF THE 4-ROTOR VERTICAL ADAPTER



No.	Part or assembly name	Fig. or index No.			
		N272/1	Volume	N272/2	Volume
15	Screw 16 x 50 galv. 8.8 82105 82105	23S16/50OC 8.8	4	23S16/50OC 8.8	4
16	Bolt 16 x 55 galv. 8.8 82105 82105	23S16/55OC	8	23S16/55OC	8
17	Round washer 8 galv. 82005 82005	23P8OOC	8	23P8OOC	8
18	Spring washer 16.3 galv. 82008 82008	23P16SP	4	23P16SP	4
19	Round washer 16 galv. 82005 82005	23P16OOC	8	23P16OOC	8
20	Self-locking nut M8 galv. 82175 8 82175 8	23NS8OC	4	23NS8OC	4
21	Self-locking nut M16 galv. 82175 8 82175 8	23NS16OC	8	23NS16OC	8

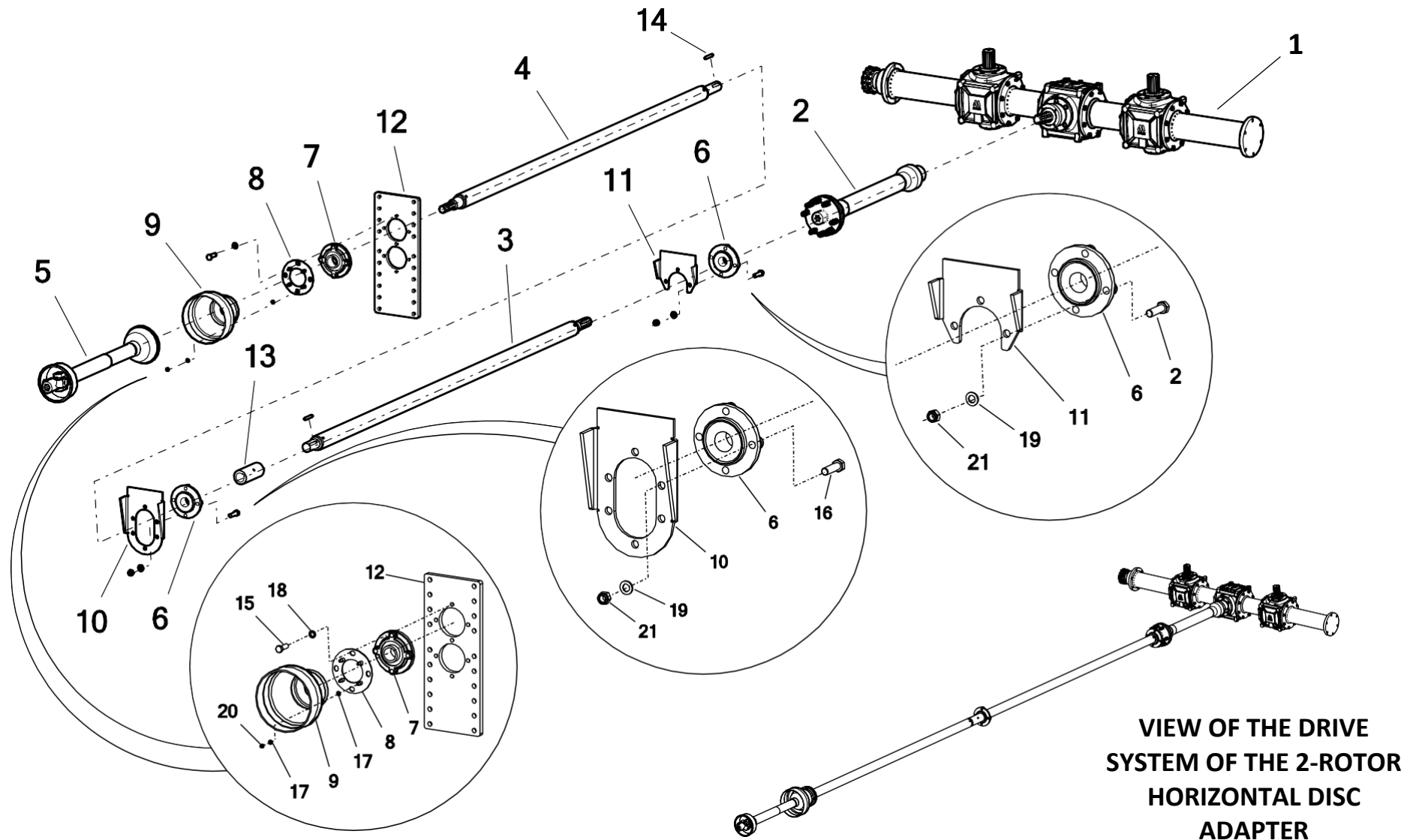
**Key:**

5\*\* - optional equipment

10\* - 12\* - inseparable parts of the bottom frame - **N272 01.00.00.1**

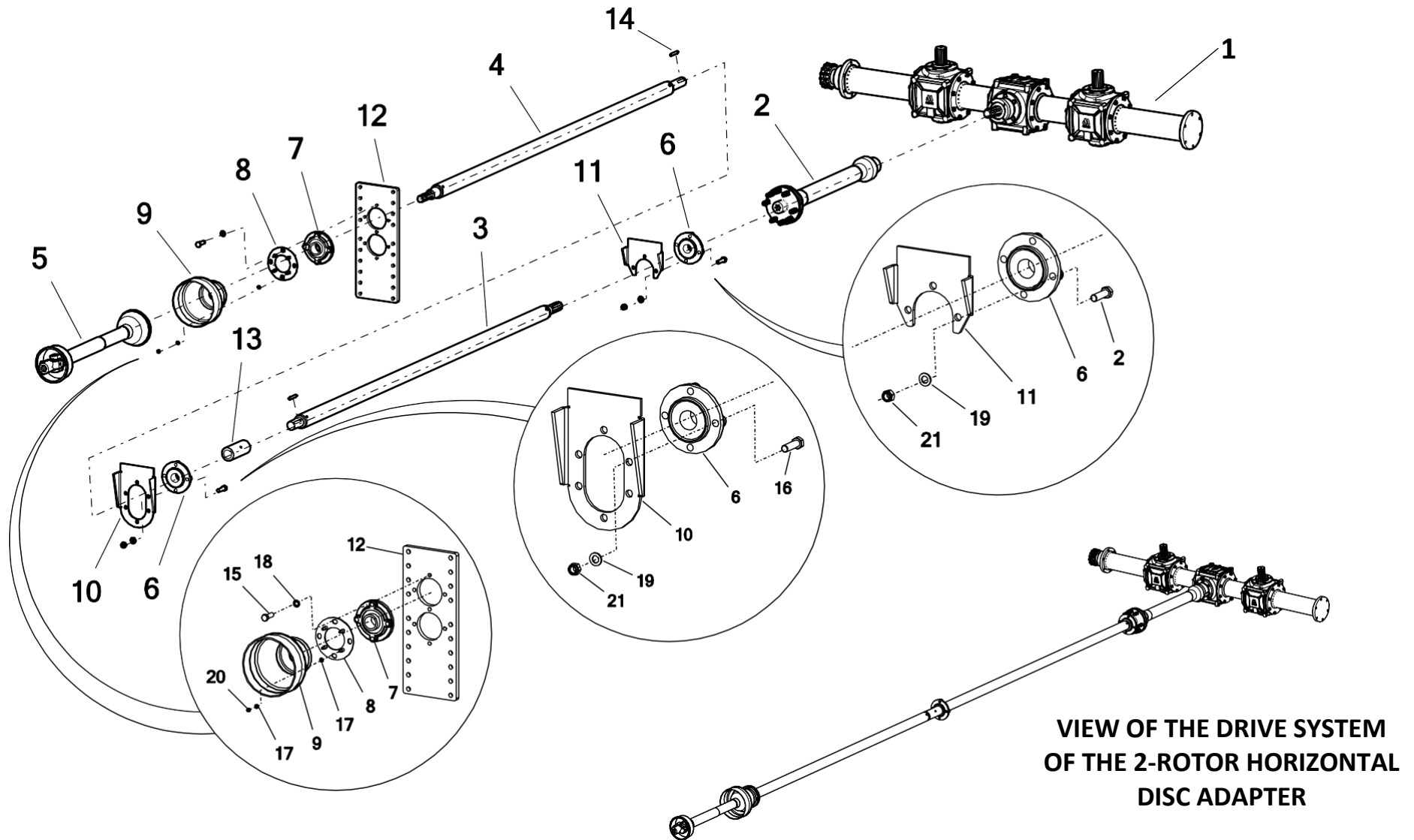


## 22. DRIVE SYSTEM OF THE 2-ROTOR VERTICAL AND HORIZONTAL DISC ADAPTERS



No.	Part or assembly name	Fig. or index No.			
		N272/1	Volume	N272/2	Volume
1	Gearbox MB10.04 L-2000 mm (2-rotor vertical adapter)	POD-WPS-000121	1	POD-WPS-000121	1
	Gear MB10.18, complete (horizontal disc adapter)	POD-WPS-000190	1	POD-WPS-000190	1
2	Articulated shaft 680440/804.C6803A/5NW 1300 Nm L=710/1110 1.3/4 Z6 (2-rotor vertical adapter)	POD-WPS-000144	1	POD-WPS-000144	1
	Articulated shaft 680450/804.C6803A/5NW 1300 Nm L=810/1310 mm 3/4 Z6 (horizontal disc adapter)	POD-WPS-000193	1	POD-WPS-000193	1
3	Rear roller (II)	N272 01.03.20.2	1	N272 01.03.20.2	1
4	Rear roller (I)	N272 01.03.10.2	1	N272 01.03.10.2	1
5	Articulated shaft 680950/802.K68-1/5NW 2700 Nm L=810/1215 M10 1.3/8 Z6	POD-WPS-000261	1	POD-WPS-000261	1
5**	Wide-angle articulated shaft 680660/S802.K68-1/5NW 2700 Nm L=860/1445 1 3/8" Z6	POD-WPS-000229	1	POD-WPS-000229	1
6	Bearing unit 210UCFC	25L210UCFC	2	25L210UCFC	2
7	Bearing unit UCFC209	25L209UCFC	1	25L209UCFC	1
8	Guard mounting	N272 01.03.30	1	N272 01.03.30	1
9	Guard with inspection hole	POD-TSZ-000204	1	POD-TSZ-000204	1
10*	Bearing support I	N272 01.00.06.1	1	N272 01.00.06.1	1

## 22. DRIVE SYSTEM OF THE 2-ROTOR VERTICAL AND HORIZONTAL DISC ADAPTERS



VIEW OF THE DRIVE SYSTEM  
OF THE 2-ROTOR HORIZONTAL  
DISC ADAPTER

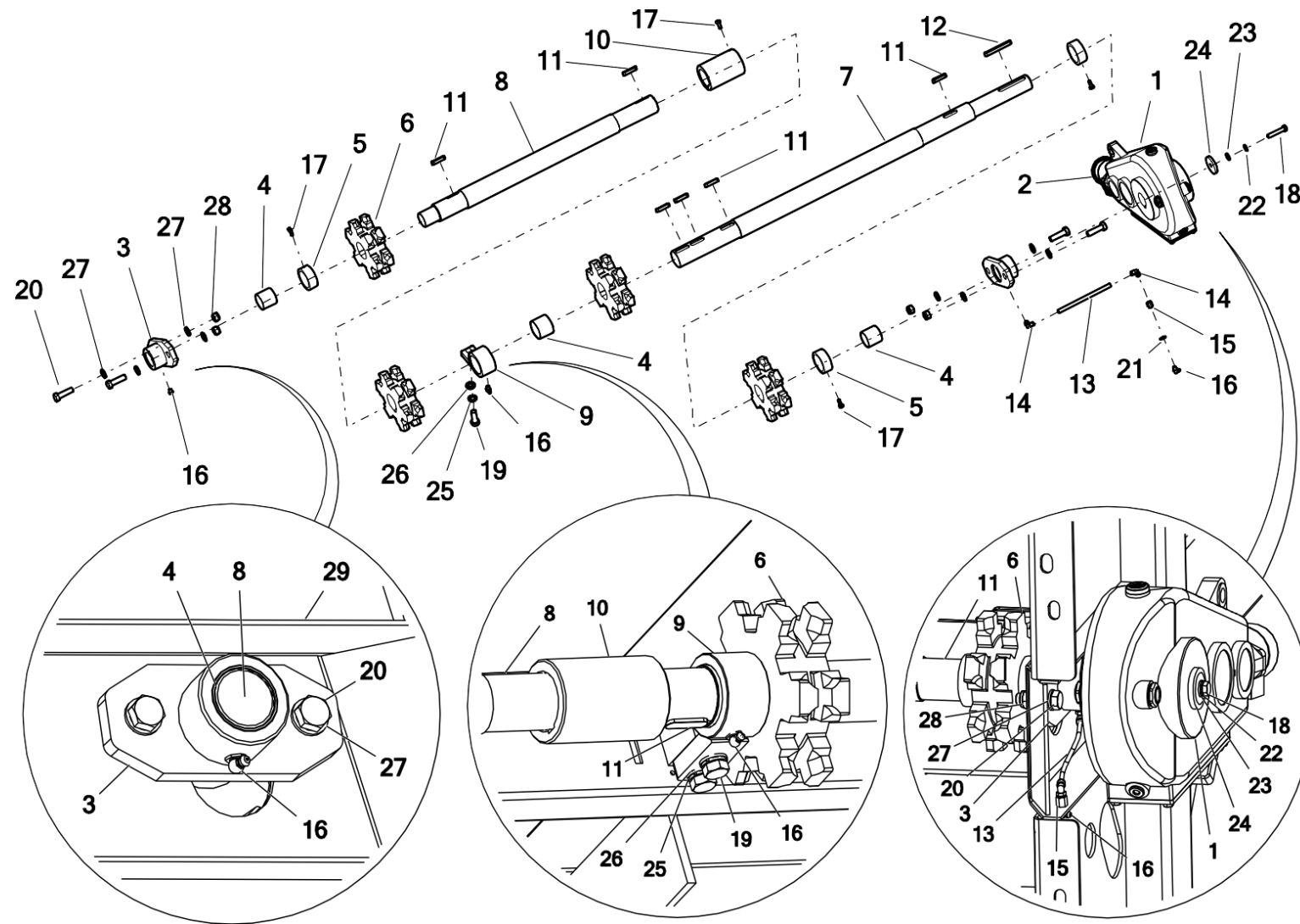
No.	Part or assembly name	Fig. or index No.			
		N272/1	Volume	N272/2	Volume
11*	Bearing metal sheet II	N272 01.00.21.1	1	N272 01.00.21.1	1
12*	Hitch holder	N272 01.00.04.2	1	N272 01.00.04.2	1
13	Coupling bushing	N267 02.04.06 POD-EOS-000293	1	N267 02.04.06 POD-EOS-000293	1
14	Key 12 x 8 x 70 DIN 6885A	POD-ELZ-000433	2	POD-ELZ-000433	2
15	Screw 16 x 50 galv. 8.8 82105 82105	23S16/50OC 8.8	4	23S16/50OC 8.8	4
16	Bolt 16 x 55 galv. 8.8 82105 82105	23S16/55OC	8	23S16/55OC	8
17	Round washer 8 galv. 82005 82005	23P8OOC	8	23P8OOC	8
18	Spring washer 16.3 galv. 82008 82008	23P16SP	4	23P16SP	4
19	Round washer 16 galv. 82005 82005	23P16OOC	8	23P16OOC	8
20	Self-locking nut M8 galv. 82175 8 82175 8	23NS8OC	4	23NS8OC	4
21	Self-locking nut M16 galv. 82175 8 82175 8	23NS16OC	8	23NS16OC	8

**Key:**

5\*\* - optional equipment

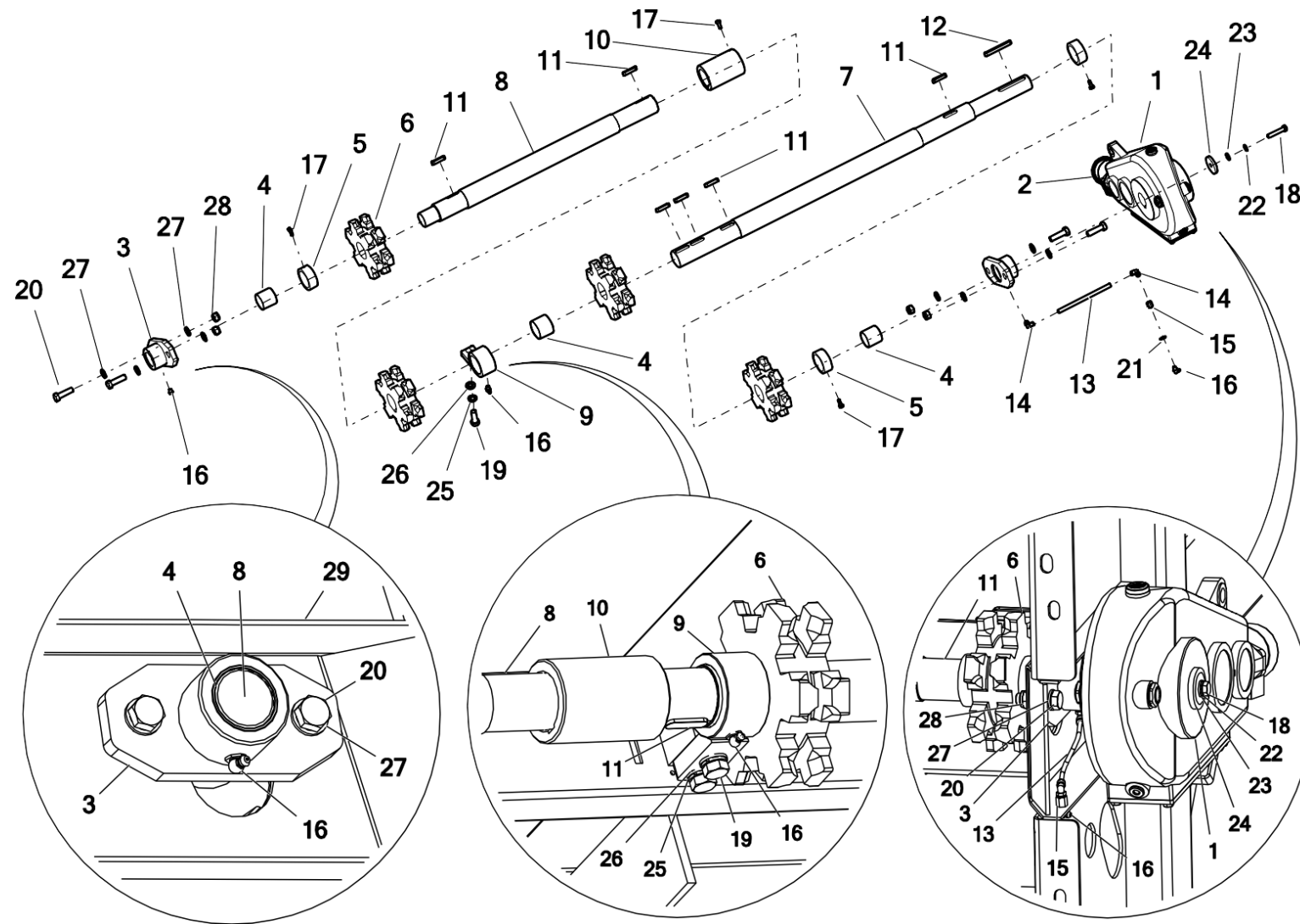
10\* - 12\* - inseparable parts of the bottom frame - **N272 01.00.00.1**

### 23. REAR ROLLER



No.	Part or assembly name	Fig. or index No.			
		N272/1	Volume	N272/2	Volume
1	Gearbox PRK-550-01.AAB.R1 - side (N272/3)	POD-WPS-000153	1	POD-WPS-000153	1
2	OMR 200 (BMR) hydraulic motor	24S200	1	24S200	1
3	Mounting of the floor shaft	N272-3 09.07.00	2	N272-3 09.07.00	2
4	Sleeve PAP 5050 P10	POD-LOZ-000256	3	POD-LOZ-000256	3
5	Spacer	N272-3 09.01.07	3	N272-3 09.01.07	3
6	Chain wheel NK14	N272-3 09.01.02	4	N272-3 09.01.02	4
7	Rear roller (I)	N272 09.01.04.3	1	N272 09.01.04.3	1
8	Rear roller (II)	N272-3 09.01.05	1	N272-3 09.01.05	1
9	Shaft mounting	N272-3 09.05.00.1	1	N272-3 09.05.00.1	1
10	Coupling bushing	N272-3 09.01.06	1	N272-3 09.01.06	1
11	Key 14 x 9 x 50	POD-ELZ-000691	6	POD-ELZ-000691	6
12	Key 14 x 9 x 100	POD-ELZ-000867	1	POD-ELZ-000867	1
13	Central lubrication nipple Plastic conduit diam. 6 x 4 PA6	24P6	1	24P6	1
14	Connector 6520-6-1/8 (RL31/C FOX6 1/8)	POD-HKR-000013-1	2	POD-HKR-000013-1	2
15	Lubrication nipple	N267 02.02.114	1	N267 02.02.114	1
16	Lubricating nipple M10 x 1.0 90 angle	23SM10KAT90	3	23SM10KAT90	3
17	Bolt 8 x 20 galv. 8.8 82105 82105	23S8/20OC 8.8	3	23S8/20OC 8.8	3
18	Bolt 12 x 60 galv. 10.9 82101	POD-ELZ-000053-1	1	POD-ELZ-000053-1	1

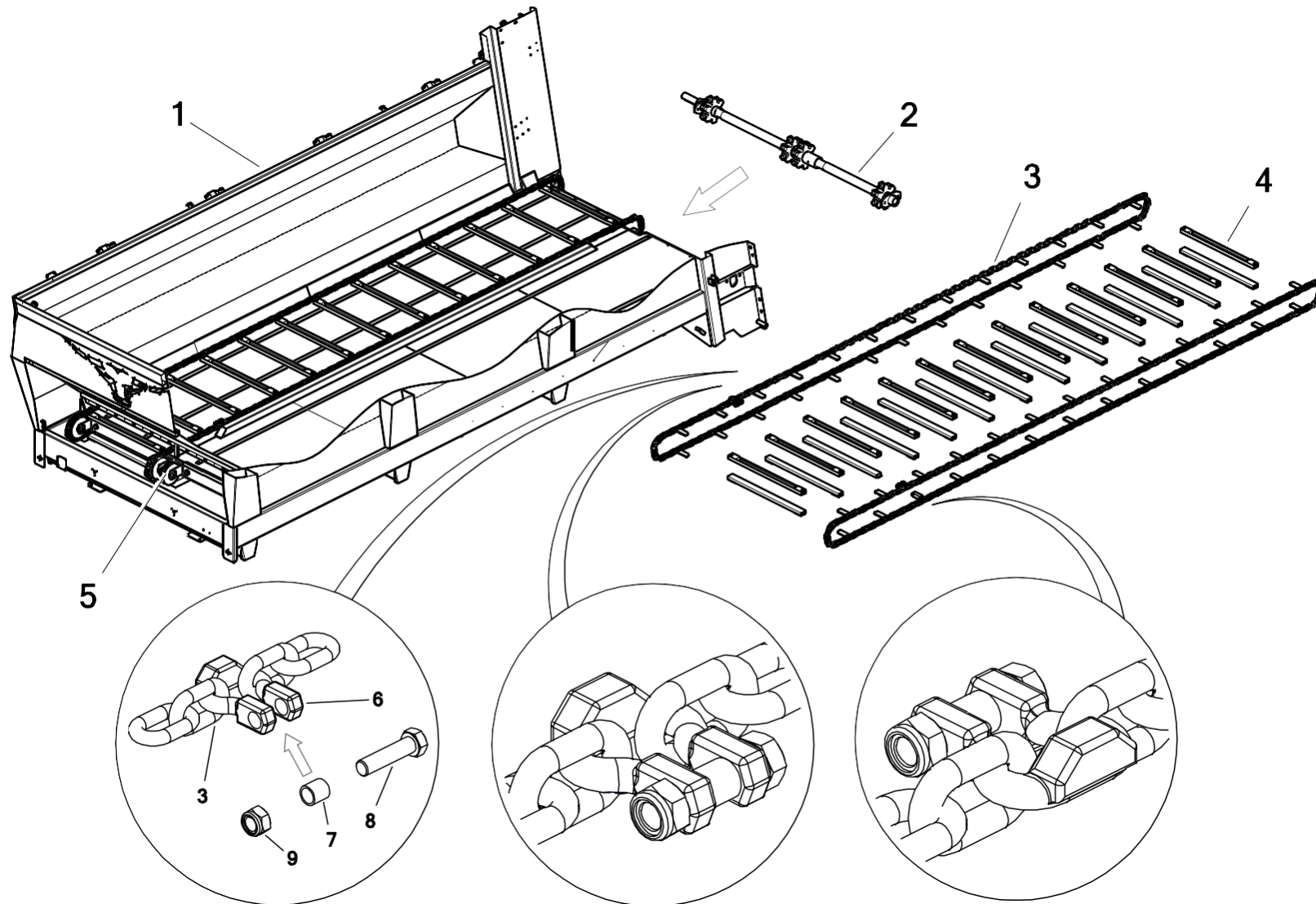
### 23. REAR ROLLER



No.	Part or assembly name	Fig. or index No.			
		N272/1	Volume	N272/2	Volume
19	Bolt 16 x 45 galv.10.9 82105	POD-ELZ-000402	2	POD-ELZ-000402	2
20	Bolt 16 x 55 galv. 10.9 82101	POD-ELZ-000418	4	POD-ELZ-000418	4
21	Round washer 30 galv. 82005 82005	23P10 82005	1	23P10 82005	1
22	Spring washer 12 galv. 82008 82008	23P12SP	1	23P12SP	1
23	Round washer 12 galv. 82005	23P12OC	1	23P12OC	1
24	Bearing washer	N272 10.14.05	1	N272 10.14.05	1
25	Spring washer 16.3 galv. 82008 82008	23P16SP	2	23P16SP	2
26	Round washer 16 galv. 82005 82005	23P16OOC	2	23P16OOC	2
27	Round washer 16 galv. 82005 82005	23P16OOC	8	23P16OOC	8
28	Self-locking nut M16 galv. 82175 8 82175 8	23NS16OC	4	23NS16OC	4
29	Body 14 T	N272-1 03.01.00.5	1	N272 03.01.00.5	1

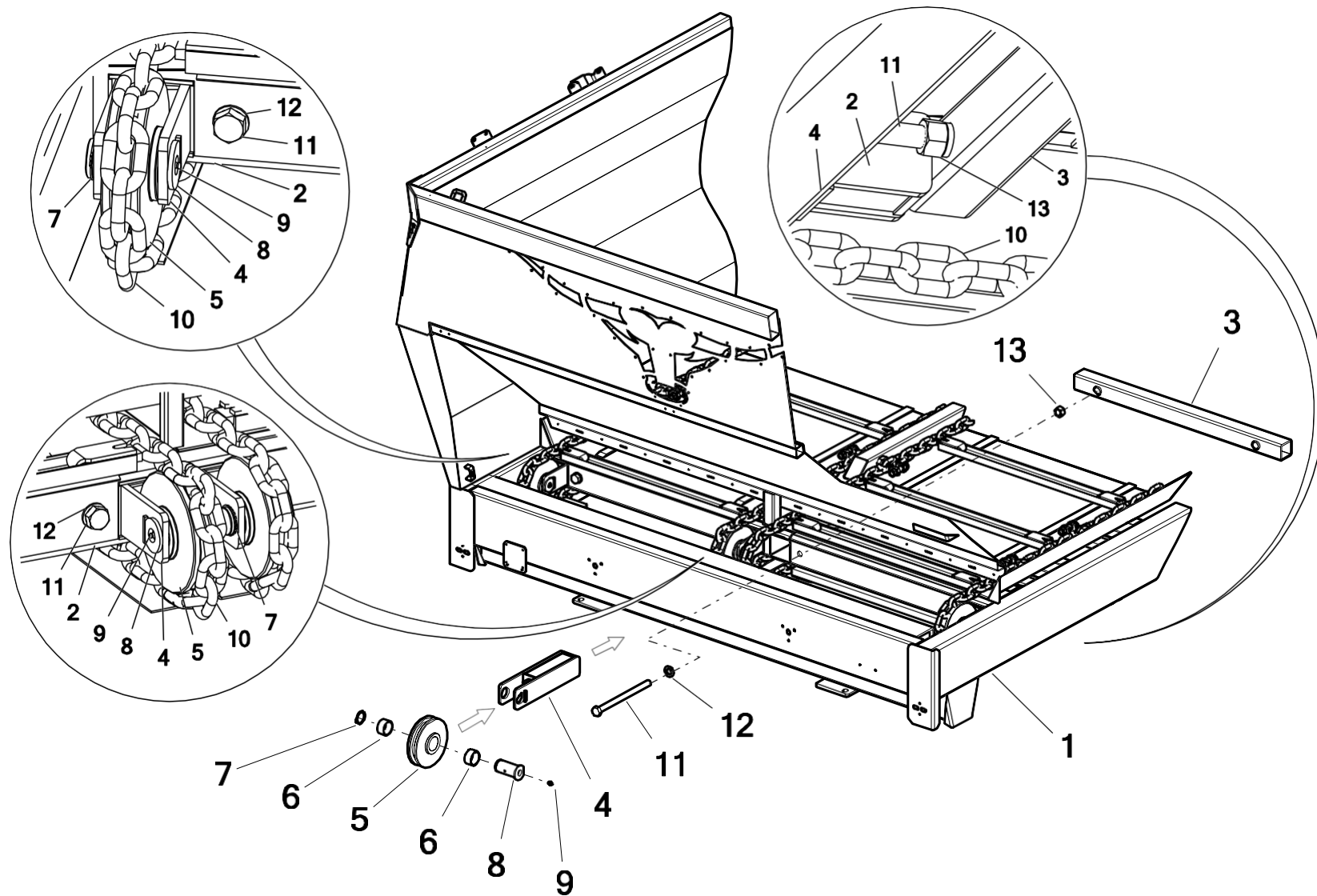


## 24. FLOOR CONVEYOR



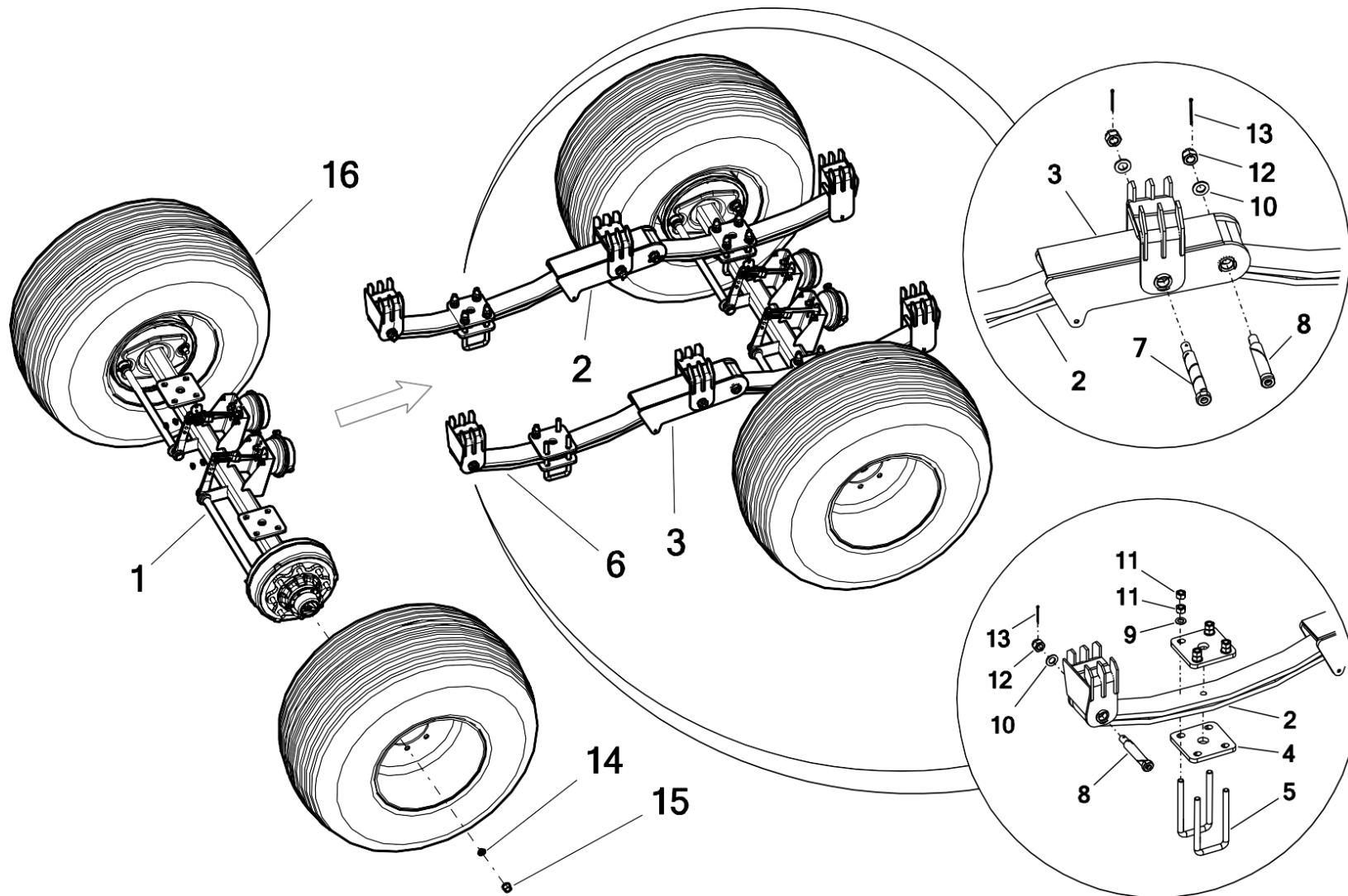
No.	Part or assembly name	Fig. or index No.			
		N272/1	Volume	N272/2	Volume
1	Body	N272-1 03.01.00.5	1	N272 03.01.00.5	1
2	Floor shaft, complete	N272 09.01.00.1	1	N272 09.01.00.1	1
3	Floor conveyor chain (10.5 m)	N272-3 09.02.00	4	N272-3 09.02.00	4
4	Conveyor bar, complete	N272-3 09.06.00.1	54	N272-3 09.06.00.1	54
5	Tensioner roller, complete	N272-3 09.09.03	4	N272-3 09.09.03	4
6	Chain connector NK14 - forging	N272-3 09.10.00	4	N272-3 09.10.00	4
7	Chain connector spacer	N272-3 09.11.01	4	N272-3 09.11.01	4
8	Bolt 16 x 65 galv. 10.9 82101	POD-ELZ-000832	4	POD-ELZ-000832	4
9	Self-locking nut M16 galv. 82175 8 82175 8	23NS16OC	4	23NS16OC	4

## 25. TENSIONER, COMPLETE



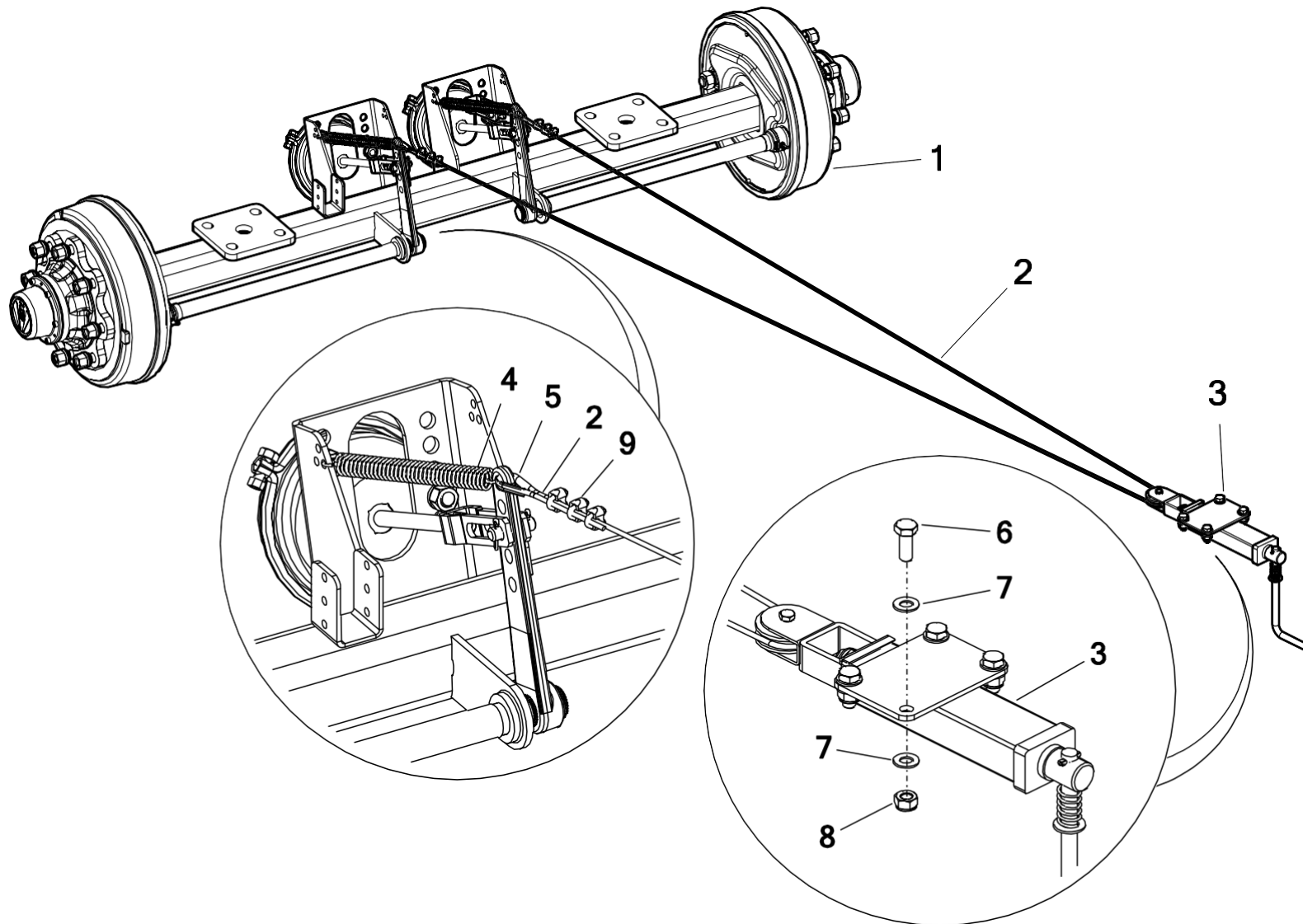
No.	Part or assembly name	Fig. or index No.			
		N272/1	Volume	N272/2	Volume
1	Body	N272-1 03.01.00.5	1	N272 03.01.00.5	1
2	Tensioner bar	N272-3 03.01.72	1	N272-3 03.01.72	1
3	Clamp, complete	N272-3 09.04.00	2	N272-3 09.04.00	2
4	Chain tension	N272-3 09.03.00.1	4	N272-3 09.03.00.1	4
5	Tensioner roller, complete	N272-3 09.09.03	4	N272-3 09.09.03	4
6	Self-lubricating sleeve 40H8/50R7x25	25T40/50/25	8	25T40/50/25	8
7	Circlip Z40	23SZ40	4	23SZ40	4
8	Chain wheel pin	N272 09.00.07	4	N272 09.00.07	4
9	Lubricating nipple M8 x 1.0 straight	23SM8	4	23SM8	4
10	Floor conveyor chain	N272-3 09.02.00	4	N272-3 09.02.00	4
11	Bolt 20 x 280 galv. 8.8 82105	POD-ELZ-000838	4	POD-ELZ-000838	4
12	Round washer 20 galv. 82005 82005	23P20OOC	4	23P20OOC	4
13	Nut M20 galv. 8.8 DIN934 8 DIN934 8	23N M20 CL.8 DIN934OC	4	23N M20 CL.8 DIN934OC	4

## 26. TANDEM TYPE SUSPENSION



No.	Part or assembly name	Fig. or index No.			
		N272/1	Volume	N272/2	Volume
1	Universal axle, complete	N272-3 02.04.00.1	2	N272-3 02.04.00.1	2
2	Connector for suspension springs, right side	N272 02.01.00	1	N272 02.01.00	1
3	Connector for suspension springs, left side	N272 02.02.00	1	N272 02.02.00	1
4	Sheet metal under the suspension spring (welded)	N272 02.04.02	8	N272 02.04.02	8
5	U-bolt clamp for axle	N272 02.04.01	8	N272 02.04.01	8
6	Parabolic suspension spring 4121001	POD-OGL-000300	4	POD-OGL-000300	4
7	Connector pin	N272 02.00.01.1	2	N272 02.00.01.1	2
8	Leaf spring pin	N272 02.00.02.1	4	N272 02.00.02.1	4
9	Round washer 20 galv. 82005 82005	23P20OOC	16	23P20OOC	16
10	Round washer, 24 galv. 82005 82005	23P24OC	6	23P24OC	6
11	Fine-threaded nut M20 x 1.5 galv.	23N20-1,5OC	32	23N20-1,5OC	32
12	Castellated nut M24 x 2 cl. 8 galv.	POD-ELZ-000602	6	POD-ELZ-000602	6
13	Cotter pin 5 x 63 galv.	23Z5/63	6	23Z5/63	6
14	Axle pin washer A90TN8TG052 574201	POD-KOS-000341	32	POD-KOS-000341	32
15	Axle pin nut A90TN8TG052 57320B1	POD-KOS-000043	32	POD-KOS-000043	32
16	Wheel 550/60-22.5 16 PR, 8 holes	POD-KOL-000009	4	POD-KOL-000009	4

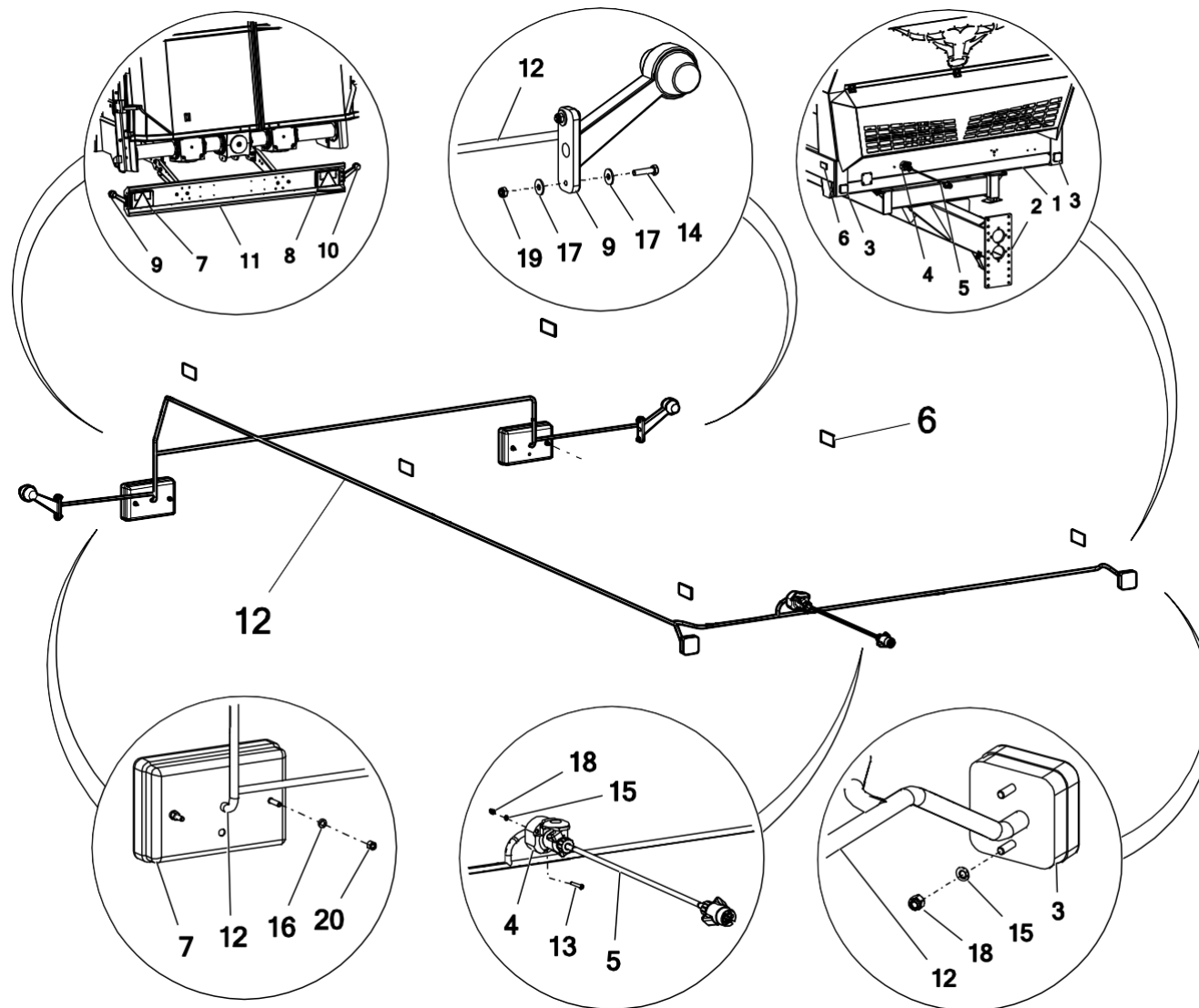
## 27. HANDBRAKE, COMPLETE



No.	Part or assembly name	Fig. or index No.			
		N272/1	Volume	N272/2	Volume
1	Universal axle	N272-3 02.04.00.1	1	N272-3 02.04.00.1	1
2	Steel cable 6 mm	23LS6	1	23LS6	1
3	Brake tension	N272 01.04.00.1	1	N272 01.04.00.1	1
4	Compression spring 3/25/150/36.5 galv.(maz-1771) (KIG)	23SPN3/25/150	2	23SPN3/25/150	2
5	Rope thimble 6 mm	POD-ELZ-000365	2	POD-ELZ-000365	2
6	Bolt 12 x 30 galv. 8.8 82105 82105	23S12/30OC 8.8	4	23S12/30OC 8.8	4
7	Round washer 12 galv. 82005	23P12OC	8	23P12OC	8
8	Self-locking nut M12 galv. 82175 8 82175 8	23NS12OC	4	23NS12OC	4
9	Cable clamp 6mm	23ZL6	6	23ZL6	6

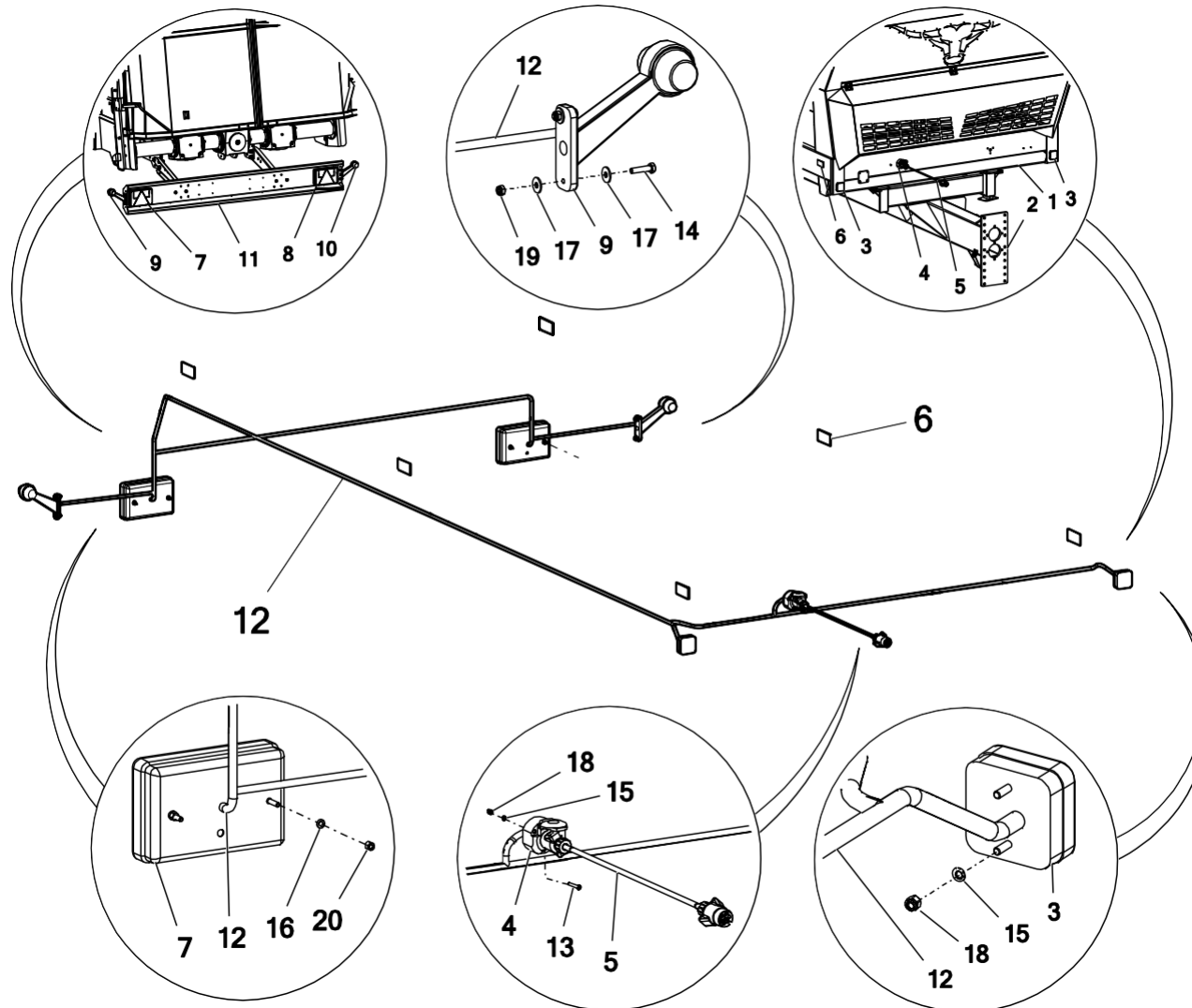


## 28. ELECTRICAL INSTALLATION



No.	Part or assembly name	Fig. or index No.			
		N272/1	Volume	N272/2	Volume
1	Body	N272-1 03.01.00.5	1	N272 03.01.00.5	1
2	Bottom frame TAURUS	N272 01.00.00.1	1	N272 01.00.00.1	1
3	Bulb marker lamp HOR23 LO093	POD-ELK-000011-1	2	POD-ELK-000011-1	2
4*	7-pin socket	POD-ELK-000159	1	POD-ELK-000159	1
5*	Connecting cable harness with plugs	POD-ELK-000159	1	POD-ELK-000159	1
6	Self-adhesive rectangular orange reflector HOR-8 UO030 (E20 029650)	POD-OGL-000019-1	6	POD-OGL-000019-1	6
7	Bulb lamp cluster HOR45 LZT478, right side	POD-ELK-000013-1	1	POD-ELK-000013-1	1
8	Bulb lamp cluster HOR45 LZT471, left side	POD-ELK-000012-1	1	POD-ELK-000012-1	1
9	Bulb marker lamp on an extension arm HOR50 LO356/L, left side	POD-ELK-000118	1	POD-ELK-000118	1
10	Bulb marker lamp on an extension arm HOR50 LO356/P, right side	POD-ELK-000117	1	POD-ELK-000117	1
11	Light bar, complete	N272 12.00.00	1	N272 12.00.00	1
12	Electric cable harness for the N272 12t and 14t spreaders	POD-ELK-000159	1	POD-ELK-000159	1
13	Screw 5 x 35 galv.	23W5/35	3	23W5/35	3
14	Bolt 6 x 25 galv. 8.8 82105	23S6/25OC 105	4	23S6/25OC 105	4

## 29. ELECTRICAL INSTALLATION

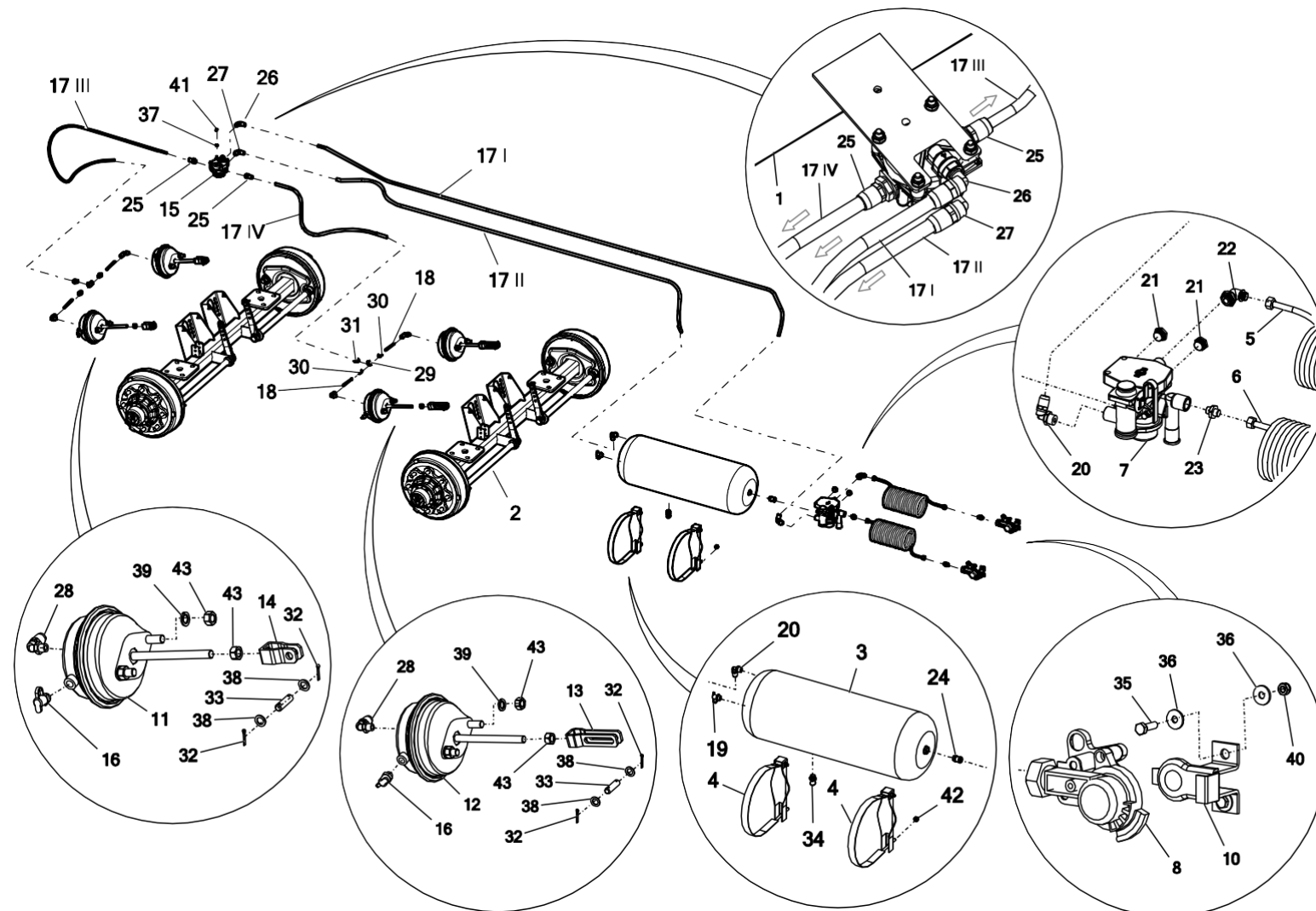


No.	Part or assembly name	Fig. or index No.			
		N272/1	Volume	N272/2	Volume
15	Spring washer 5.1 galv. 82008 82008	23P5,1SPOC	7	23P5,1SPOC	7
16	Round washer 6 galv. 82005 82005	23P6OOC	4	23P6OOC	4
17	Round washer 6 galv. coated 82030	23P6OC030	4	23P6OC030	4
18	Self-locking nut M5 galv. 82175 8	POD-ELZ-000471	7	POD-ELZ-000471	7
19	Self-locking nut M6 galv. 82175 8 82175 8	23NS6OC	4	23NS6OC	4
20	Nut M6 galv. 82144 5 82144 5	23N6OC	4	23N6OC	4

**Key:**

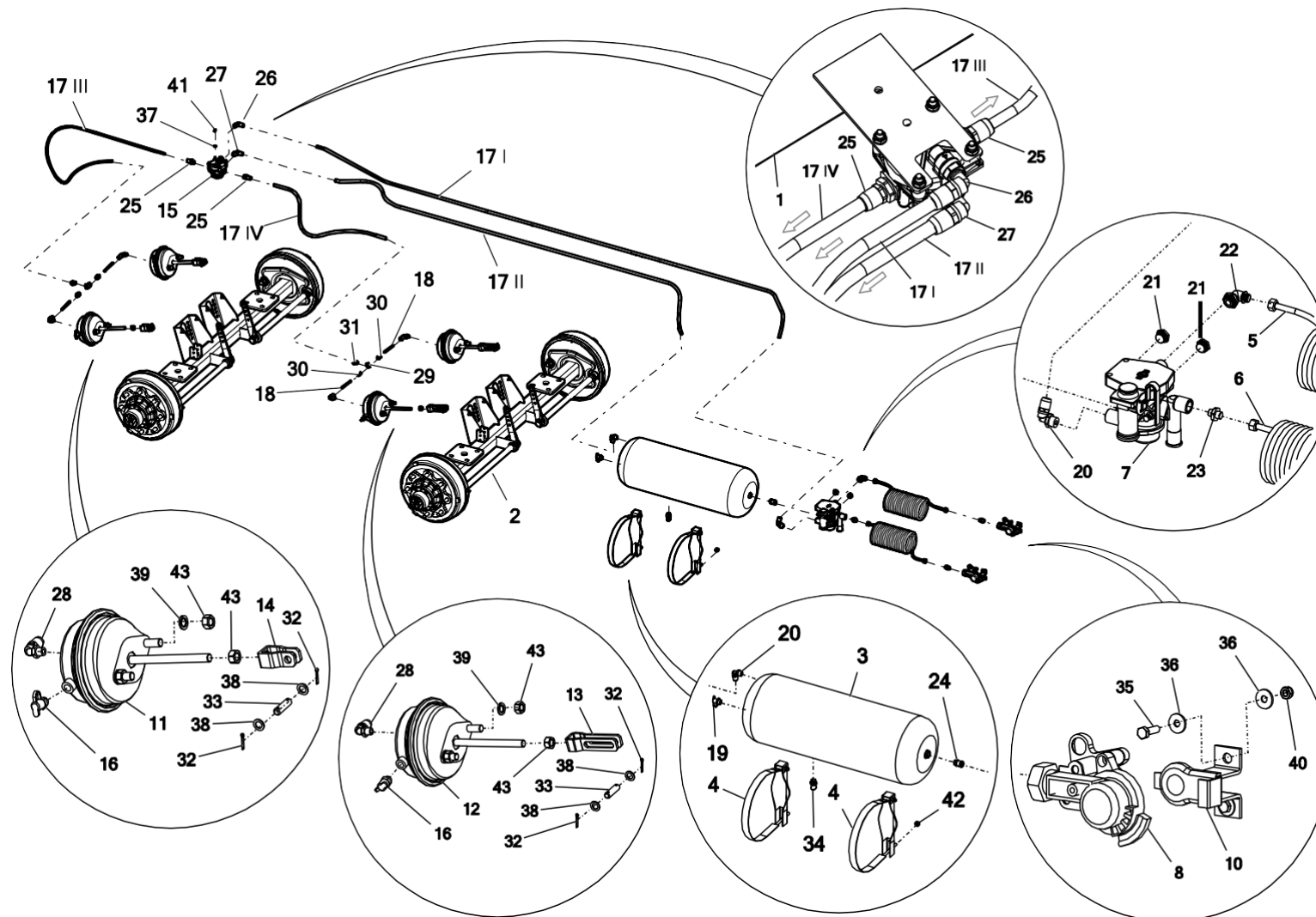
4\*, 5\* – included in: Electric cable harness of the N272 12t and 14t spreaders - **POD-ELK-000159**

### 30. PNEUMATIC BRAKING SYSTEM



No.	Part or assembly name	Fig. or index No.			
		N272/1	Volume	N272/2	Volume
1	Bottom frame TAURUS	N272 01.00.00.1	1	N272 01.00.00.1	1
2	Universal axle	N272-3 02.04.00.1	2	N272-3 02.04.00.1	2
3	Air tank 60 l, diam. 276 KNORR	POD-OGL-000632	1	POD-OGL-000632	1
4	Clamp for air tank 60 l, diam. 276 KNORR	POD-OGL-000633	2	POD-OGL-000633	2
5	HALDEX yellow spiral conduit	POD-OGL-000620	1	POD-OGL-000620	1
6	HALDEX red spiral conduit	POD-OGL-000619	1	POD-OGL-000619	1
7	Trailer brake valve KNORR BREMSE	POD-OGL-001098	1	POD-OGL-001098	1
8	HALDEX conduit connector, yellow, front		1		1
9	HALDEX conduit connector, red, front		1		1
10	Pneumatic Connector Holder		2		2
11	Membrane cylinder 24 + short forks KNORR	POD-OGL-000553	2	POD-OGL-000553	2
12	Membrane cylinder 24 + long forks KNORR	POD-OGL-000637	2	POD-OGL-000637	2
13	Short forks for membrane cylinder	POD-OGL-000553	2	POD-OGL-000553	2
14	Long forks for membrane cylinder	POD-OGL-000637	2	POD-OGL-000637	2
15	Relay valve KNORR	POD-OGL-000850	1	POD-OGL-000850	1
16	Pneumatic control connector M16 x 1.5	POD-OGL-001114	4	POD-OGL-001114	4

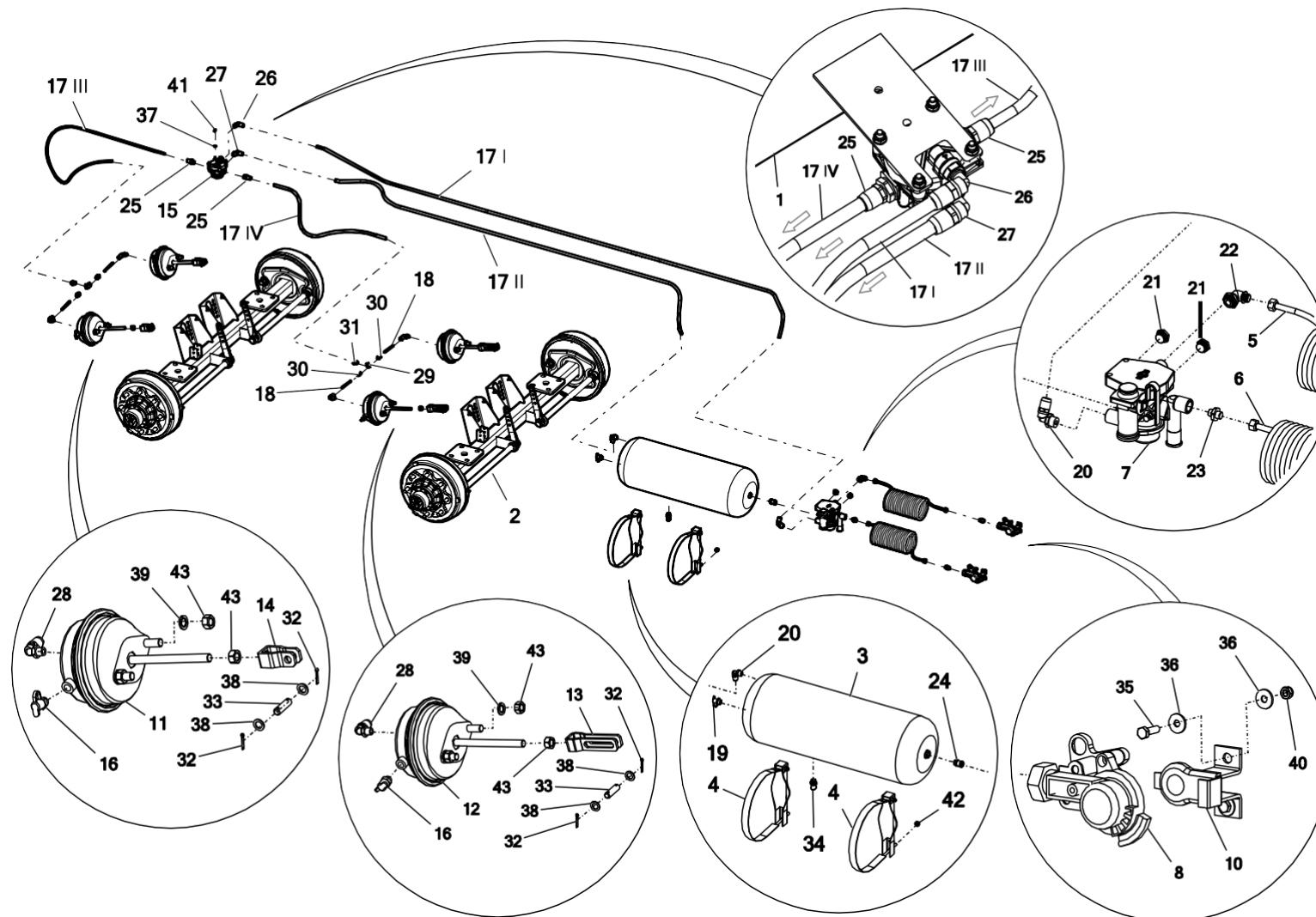
### 30. PNEUMATIC BRAKING SYSTEM



No.	Part or assembly name	Fig. or index No.			
		N272/1	Volume	N272/2	Volume
17 I	Tecalán tube DN15 x 1.5 (10 m)	POD-TSZ-000051	3.9 m	POD-TSZ-000051	3.9 m
17 II			3 m		3 m
17 III			2 m		2 m
17 IV			1.3 m		1.3 m
18	Tecalán tube DN12 x 1.5	POD-TSZ-000050	1 m	POD-TSZ-000050	1 m
19	Pneumatic control connector M22 x 1.5	POD-OGL-001114	1	POD-OGL-001114	1
20	Pneumatic elbow M22-12 x 1.5 TK12		2		2
21	Pneumatic plug M22		2		2
22	Pneumatic elbow M22-18 x 1.5		1		1
23	Straight pneumatic connector M16-M16		1		1
24	Bulkhead reducer M22 x 1.5-M22 x 1.5, int. M16 x 1.5		1		1
25	Straight connector 22 x 1.5 / diam. 15		2		2
26	Pneumatic elbow M16 TK15		1		1
27	Pneumatic elbow M22-15 x 1.5 TK15		1		1
28	Pneumatic elbow M16-12 x 1.5		4		4
29	T-piece M16 x 3		2		2
30	Straight pneumatic connector M16 TK12		4		4
31	Straight pneumatic connector M16 TK15		2		2

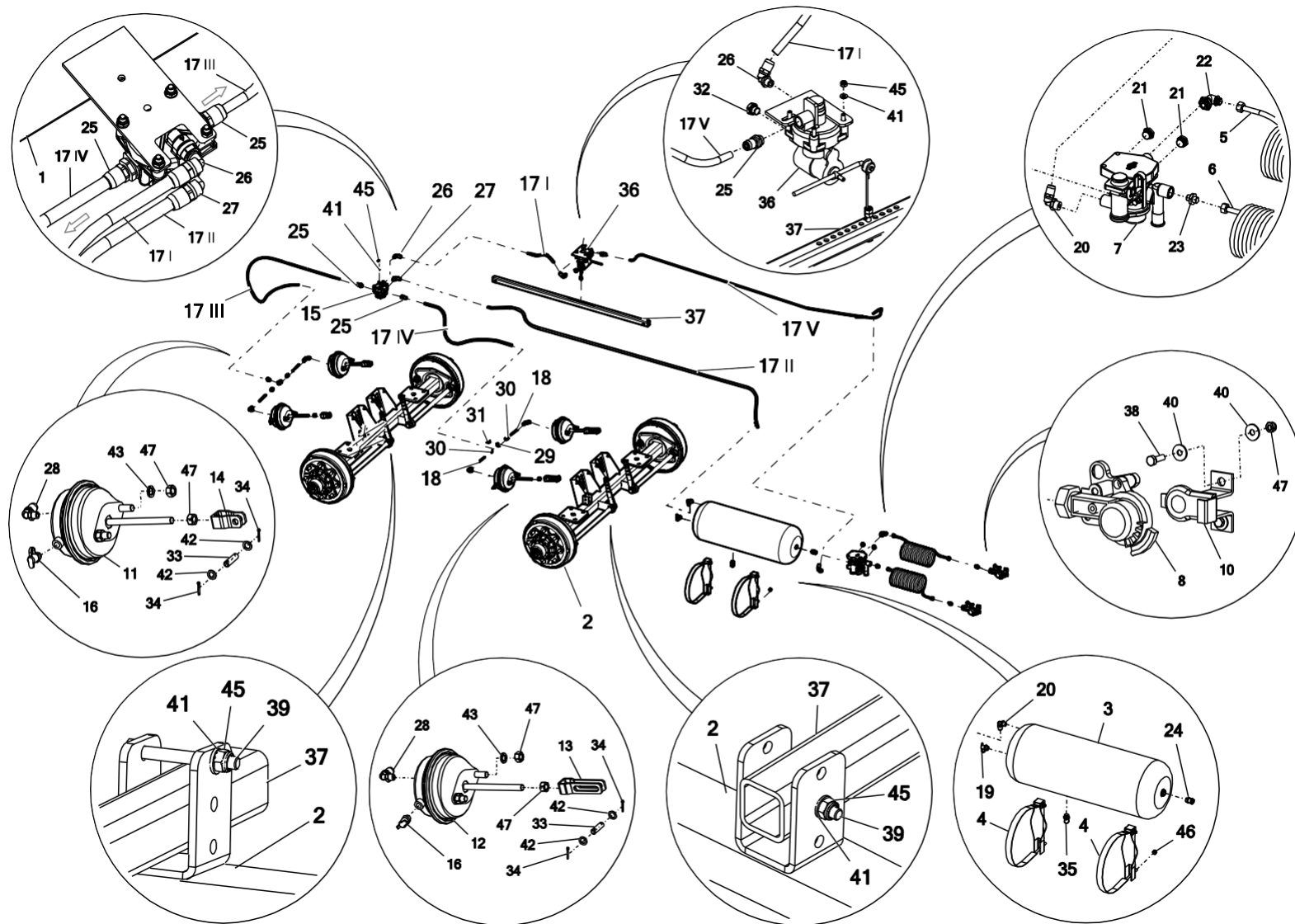


### 30. PNEUMATIC BRAKING SYSTEM



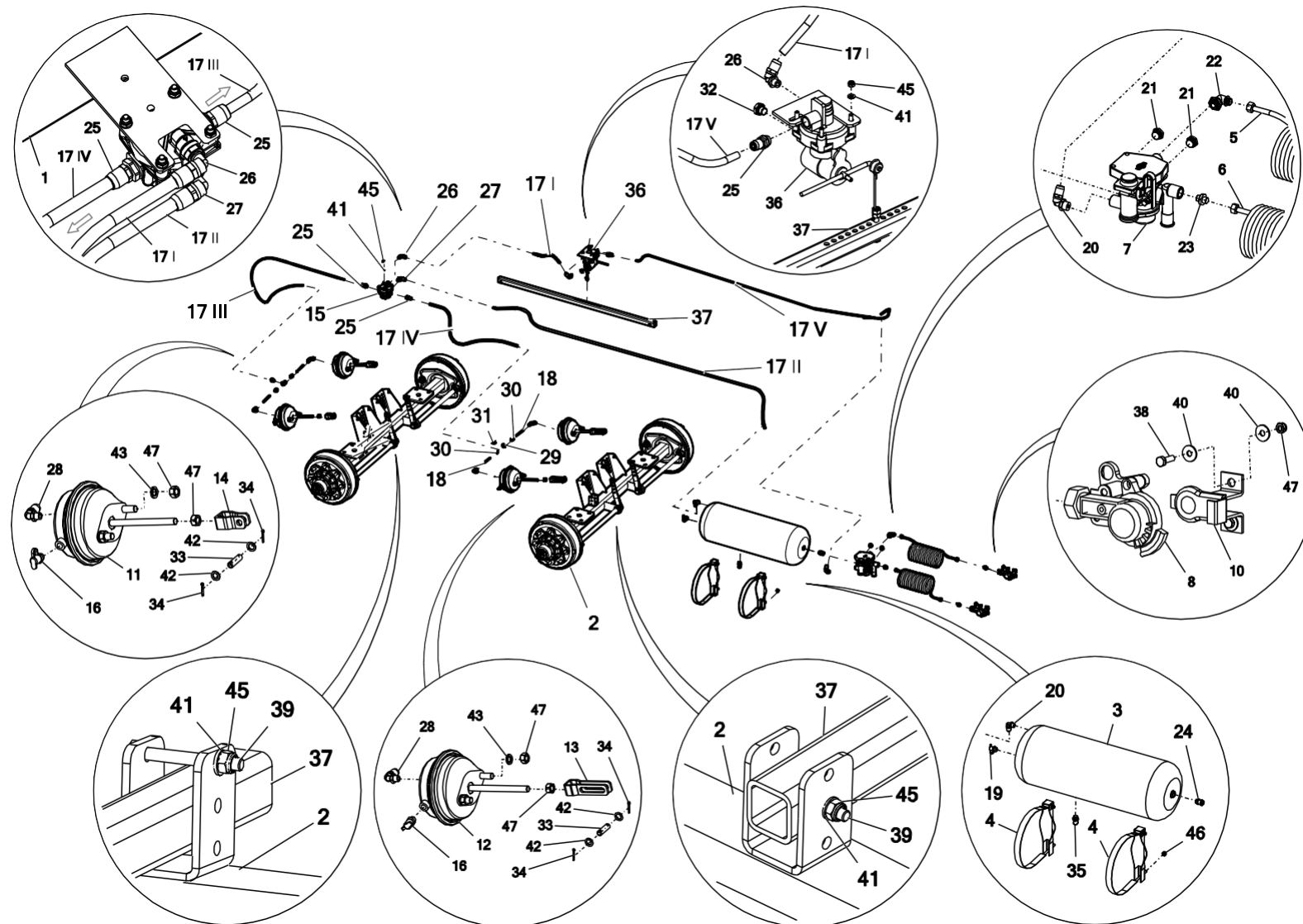
No.	Part or assembly name	Fig. or index No.			
		N272/1	Volume	N272/2	Volume
32	Cotter pin $\varnothing 4 \times 32$	POD-OGL-000637	8	POD-OGL-000637	8
33	Cylinder pin		4		4
34	Drain valve M22 x 1.5 KNORR	POD-OGL-001114	1	POD-OGL-001114	1
35	Bolt 6 x 20 galv. 8.8 82105 82105 8.8	23S6/20	4	23S6/20	4
36	Round washer 6 galv. coated 82030	23P6OC030	8	23P6OC030	8
37	Round washer 8 galv. 82005 82005	23P8OOC	4	23P8OOC	4
38	Round washer 14 galv. 82005 82005	23P14OC	8	23P14OC	8
39	Spring washer 16.3 galv. 82008 82008	23P16SP	8	23P16SP	8
40	Self-locking nut M6 galv. 82175 8 82175 8	23NS6OC	4	23NS6OC	4
41	Self-locking nut M8 galv. 82175 8 82175 8	23NS8OC	4	23NS8OC	4
42	Nut M12 galv. 82144 5	23N12OC	2	23N12OC	2
43	Nut M16 galv. 8.8 82144 5 82144 5	23N16OC	12	23N16OC	12

### 31. PNEUMATIC BRAKING SYSTEM WITH ALB



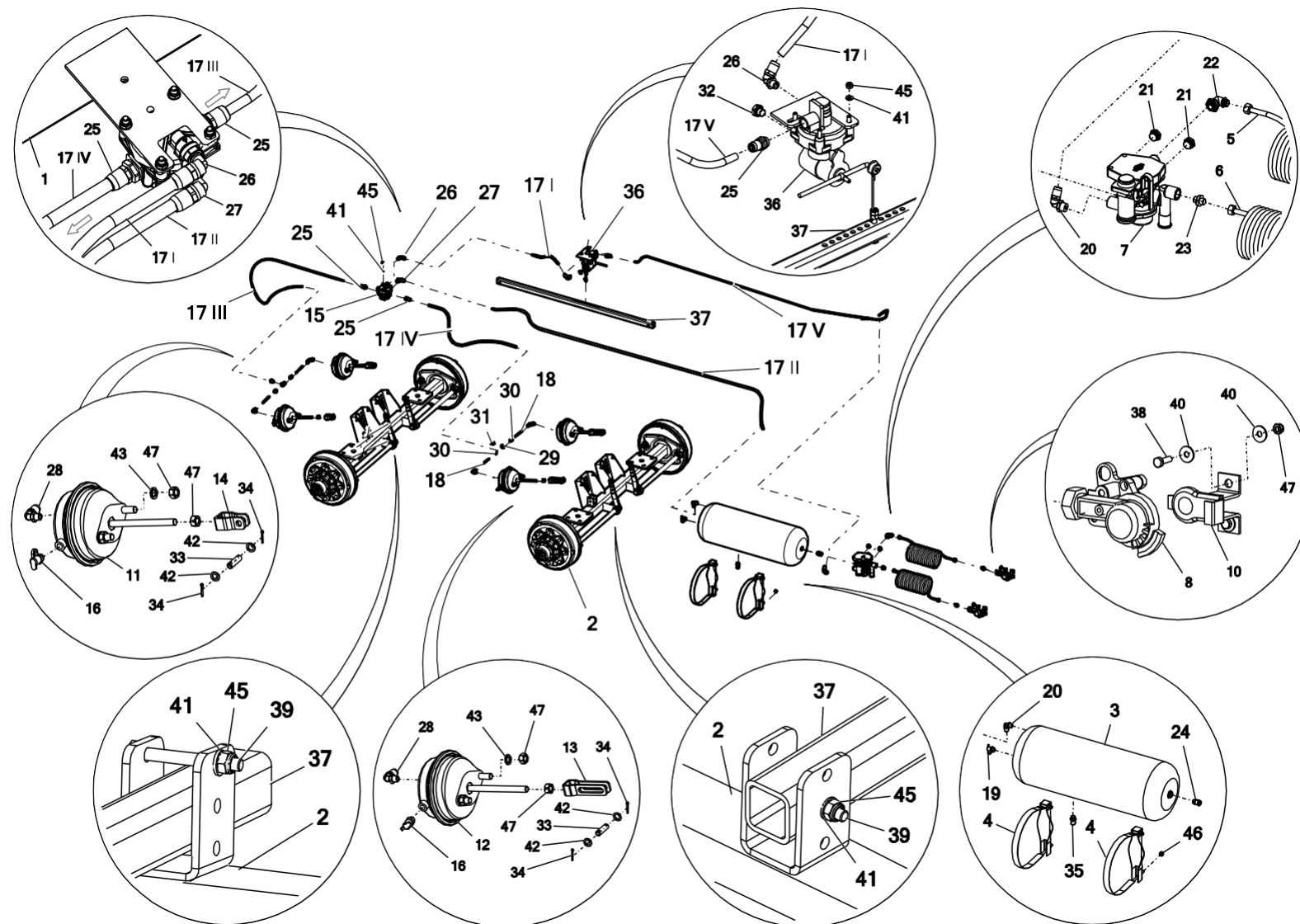
No.	Part or assembly name	Fig. or index No.			
		N272/1	Volume	N272/2	Volume
1	Bottom frame TAURUS	N272 01.00.00.1	1	N272 01.00.00.1	1
2	Universal axle	N272-3 02.04.00.1	2	N272-3 02.04.00.1	2
3	Air tank 60 l, diam. 276 KNORR	POD-OGL-000632	1	POD-OGL-000632	1
4	Clamp for air tank 60 l, diam. 276 KNORR	POD-OGL-000633	2	POD-OGL-000633	2
5	HALDEX yellow spiral conduit	POD-OGL-000620	1	POD-OGL-000620	1
6	HALDEX red spiral conduit	POD-OGL-000619	1	POD-OGL-000619	1
7	Trailer brake valve KNORR BREMSE	POD-OGL-001098	1	POD-OGL-001098	1
8	HALDEX conduit connector, yellow, front		1		1
9	HALDEX conduit connector, red, front		1		1
10	Pneumatic Connector Holder		2		2
11	Membrane cylinder 24 + short forks KNORR	POD-OGL-000553	2	POD-OGL-000553	2
12	Membrane cylinder 24 + long forks KNORR	POD-OGL-000637	2	POD-OGL-000637	2
13	Short forks for membrane cylinder		2		2
14	Long forks for membrane cylinder		2		2
15	Relay valve KNORR	POD-OGL-000850	1	POD-OGL-000850	1
16	Pneumatic control connector M16 x 1.5	POD-OGL-001114	4	POD-OGL-001114	4
17 l	Tecalan tube DN15 x 1.5 (10 m)	POD-TSZ-000051	0.5 m	POD-TSZ-000051	0.5 m

### 31. PNEUMATIC BRAKING SYSTEM WITH ALB



No.	Part or assembly name	Fig. or index No.			
		N272/1	Volume	N272/2	Volume
17 II	Tecalán tube DN15 x 1.5 (10 m)	POD-TSZ-000051	3.1 m	POD-TSZ-000051	3.1 m
17 III			2 m		2 m
17 IV			1.5 m		1.5 m
17 V			3.5 m		3.5 m
18	Tecalán tube DN12 x 1.5	POD-TSZ-000050	1 m	POD-TSZ-000050	1 m
19	Pneumatic control connector M22 x 1.5	POD-OGL-001114	1	POD-OGL-001114	1
20	Pneumatic elbow M22-12 x 1.5 TK12		2		2
21	Pneumatic plug M22		2		2
22	Pneumatic elbow M22-18 x 1.5		1		1
23	Straight pneumatic connector M16-M16		1		1
24	Bulkhead reducer M22 x 1.5-M22 x 1.5, int. M16 x 1.5		1		1
25	Straight connector 22 x 1.5 / diam. 15		2		2
26	Pneumatic elbow M16 TK15		1		1
27	Pneumatic elbow M22-15 x 1.5 TK15		1		1
28	Pneumatic elbow M16-12 x 1.5		4		4
29	T-piece M16 x 3		2		2
30	Straight pneumatic connector M16 TK12		4		4
31	Straight pneumatic connector M16 TK15		2		2

### 31. PNEUMATIC BRAKING SYSTEM WITH ALB





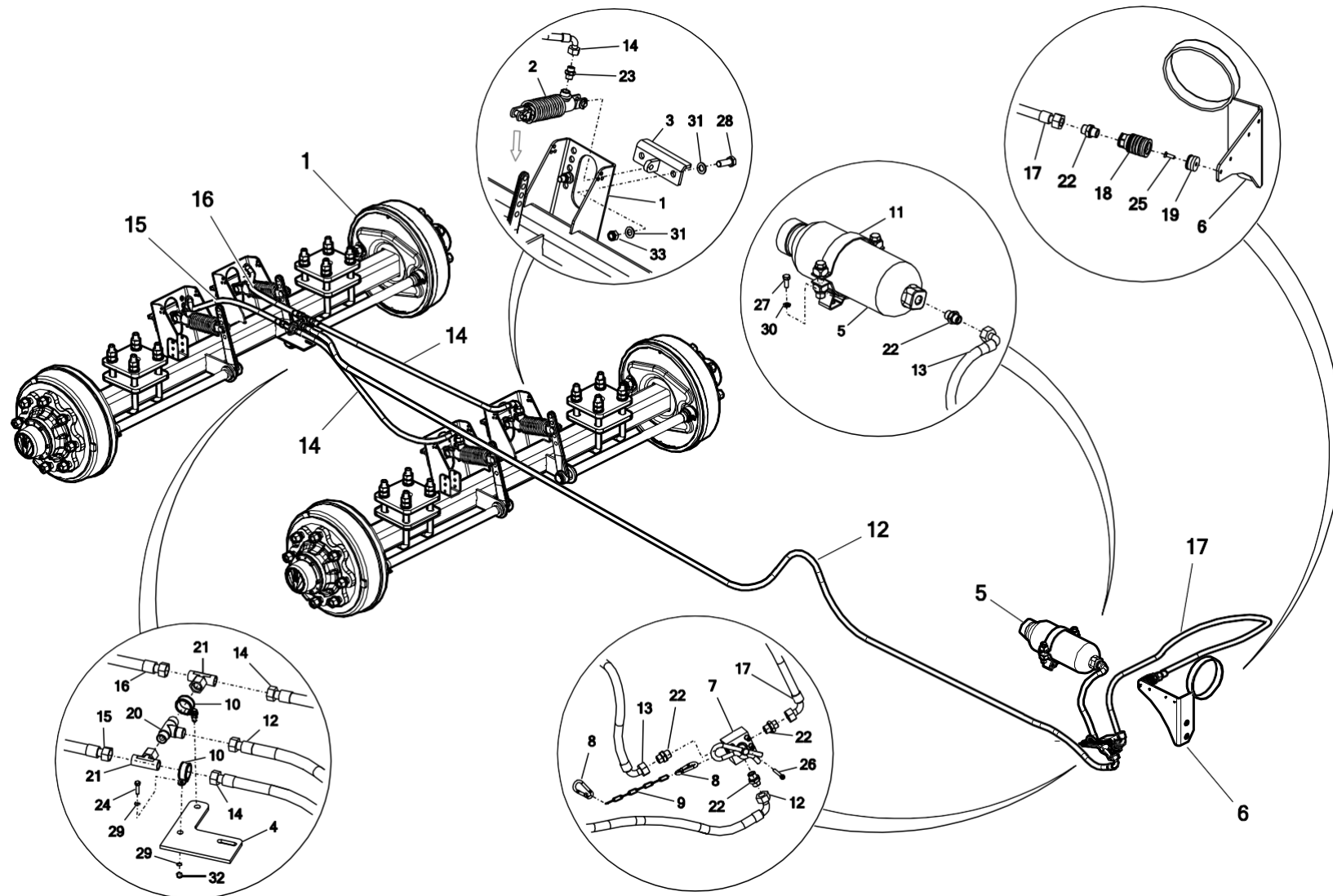
No.	Part or assembly name	Fig. or index No.			
		N272/1	Volume	N272/2	Volume
32	Pneumatic plug M16	POD-PZŁ-000036	1	POD-PZŁ-000036	1
33	Cylinder pin	POD-OGL-000637	4	POD-OGL-000637	4
34	Cotter pin Ø4 x 32		8		8
35	Drain valve M22 x 1.5 KNORR	POD-OGL-001114	1	POD-OGL-001114	1
36*	Mechanical braking force regulator	POD-OGL-001110	1	POD-OGL-001110	1
37	Lever ALB N272 02.04.09	N272 02.04.09	1	N272 02.04.09	1
38	Bolt 6 x 20 galv. 8.8 82105 82105 8.8	23S6/20	4	23S6/20	4
39	Bolt 8 x 70 galv. 8.8 82101 82101	23S8/70OC	2	23S8/70OC	2
40	Round washer 6 galv. coated 82030	23P6OC030	8	23P6OC030	8
41	Round washer 8 galv. 82005 82005	23P8OOC	4	23P8OOC	4
42	Round washer 14 galv. 82005 82005	23P14OC	8	23P14OC	8
43	Spring washer 16.3 galv. 82008 82008	23P16SP	8	23P16SP	8
44	Self-locking nut M6 galv. 82175 8 82175 8	23NS6OC	4	23NS6OC	4
45	Self-locking nut M8 galv. 82175 8 82175 8	23NS8OC	4	23NS8OC	4
46	Nut M12 galv. 82144 5	23N12OC	2	23N12OC	2
47	Nut M16 galv. 8.8 82144 5 82144 5	23N16OC	12	23N16OC	12

**Key:**

**36\*** - included in: KNORR TUV type braking system, UNIVERSAL automatic adjustment ALB VALVES - **POD-OGL-001110**

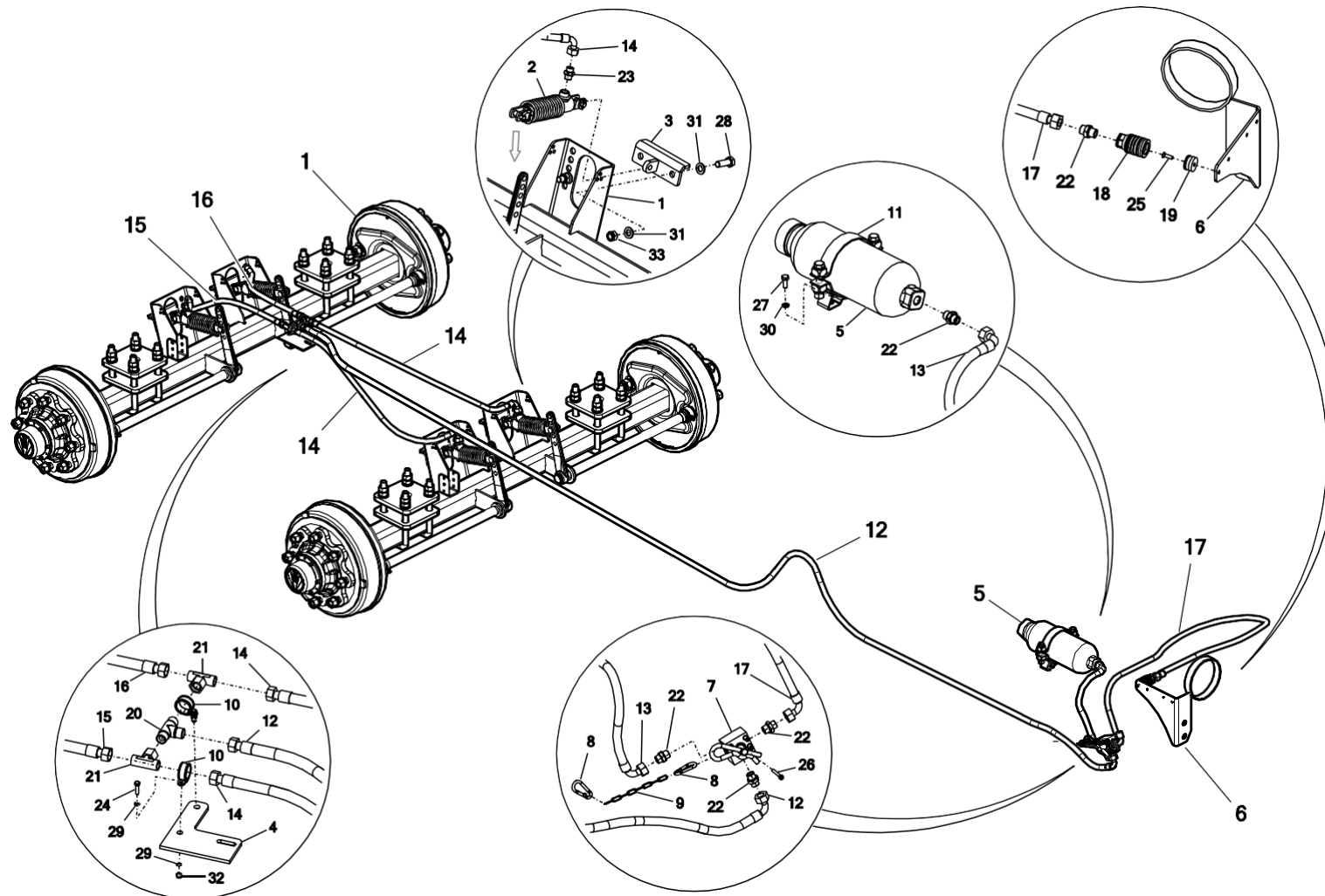


## 32. HYDRAULIC BRAKE SYSTEM



No.	Part or assembly name	Fig. or index No.			
		N272/1	Volume	N272/2	Volume
1	Universal axle	N272-3 02.04.00.1	2	N272-3 02.04.00.1	2
2	Cylinder 813102	POD-OGL-000809	4	POD-OGL-000809	4
3	Hydraulic brake actuator adapter	N272-6 02.08.00	4	N272-6 02.08.00	4
4*	ALB valve mounting	N272 01.00.29.1	1	N272 01.00.29.1	1
5	Brakes - hydraulic battery 1.5 l (21001971) – 100 bar	POD-HPZ-000114	1	POD-HPZ-000114	1
6	Wiring support	N272 01.08.00	1	N272 01.08.00	1
7	Brakes - emergency valve 900409 (21003208)	POD-HPZ-000118	1	POD-HPZ-000118	1
8	Snap hook with nuts, diam. 6 mm galv.	POD-ELZ-000484	2	POD-ELZ-000484	2
9	Clamping chain diam. 2 mm	25LS	1	25LS	1
10	Band clip with rubber P-CLIP 25 x 12	POD-OGL-000179	2	POD-OGL-000179	2
11	Brakes - battery clamping 0.75L i 1.5L (21001623)	POD-HPZ-000116	1	POD-HPZ-000116	1
12	Hydraulic hose AA90/211/10 L-4300	POD-HPR-000490	1	POD-HPR-000490	1
13	Hydraulic hose AA90/211/10 L-300		1		1
14	Hydraulic hose AA90/211/10 L-1000		2		2
15	Hydraulic hose AA90/211/10 L-1250		1		1
16	Hydraulic hose AA90/211/10 L-1500		1		1
17	Hydraulic hose AA90/211/10 L-2000		1		1

## 32. HYDRAULIC BRAKE SYSTEM

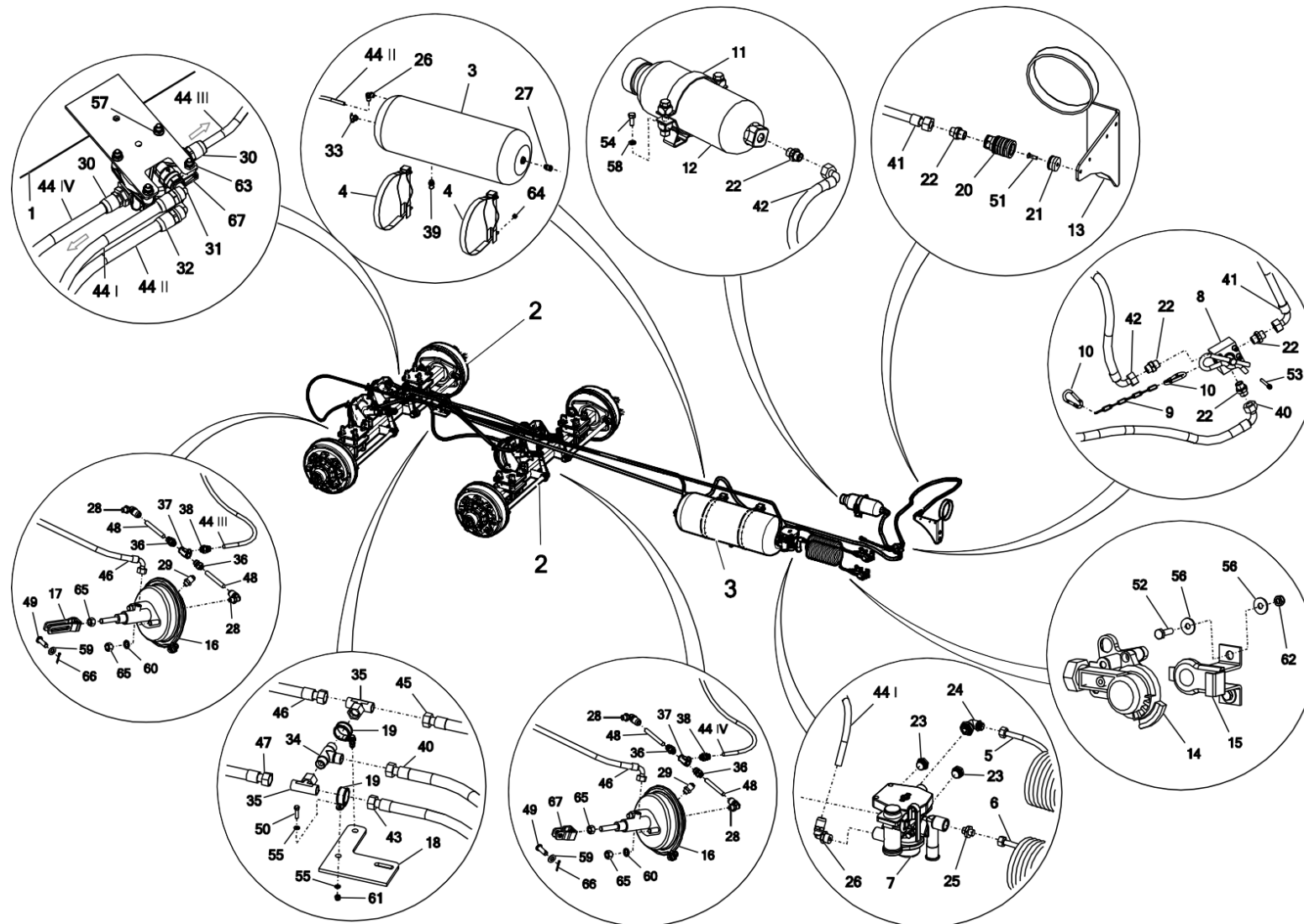


No.	Part or assembly name	Fig. or index No.			
		N272/1	Volume	N272/2	Volume
18	Quick release coupling 900410 (21001462)	POD-HPZ-000117	1	POD-HPZ-000117	1
19	Quick release coupling base		1		1
20	T-connector 18 x 18 x 18 12 L	24KT18/18/18	1	24KT18/18/18	1
21	T-connector 18 x 18 x 18-1.5 with a top nut	POD-HKR-000002-1	2	POD-HKR-000002-1	2
22	Straight connection 18 x 18-1.5	POD-HKR-000040	5	POD-HKR-000040	5
23	Straight connector 3/8 x 18-1.5 12LR	24KP3/8 18	4	24KP3/8 18	4
24	Bolt 5 x 20 galv. 8.8 82105	POD-ELZ-000645	2	POD-ELZ-000645	2
25	Screw 6 x 20 galv. 82208	23W6/20OC	1	23W6/20OC	1
26	Allen bolt 6 x 50 galv. 8.8 82302	POD-ELZ-000752	2	POD-ELZ-000752	2
27	Bolt 8 x 20 galv. 8.8 82105 82105	23S8/20OC 8.8	2	23S8/20OC 8.8	2
28	Screw 16 x 45 galv. 8.8 82105 82105	23S16/45OC	8	23S16/45OC	8
29	Round washer, 5.3 galv. 82005 82005	23P5,3OC 82005	4	23P5,3OC 82005	4
30	Spring washer 8.2 galv. 82008 82008	23P8SPOC	2	23P8SPOC	2
31	Round washer 16 galv. 82005 82005	23P16OOC	16	23P16OOC	16
32	Self-locking nut M5 galv. 82175 8	POD-ELZ-000471	32	POD-ELZ-000471	32
33	Self-locking nut M16 galv. 82175 8 82175 8	23NS16OC	8	23NS16OC	8

Key:

4\* - inseparable part of the bottom frame - **N272 01.00.00.1**

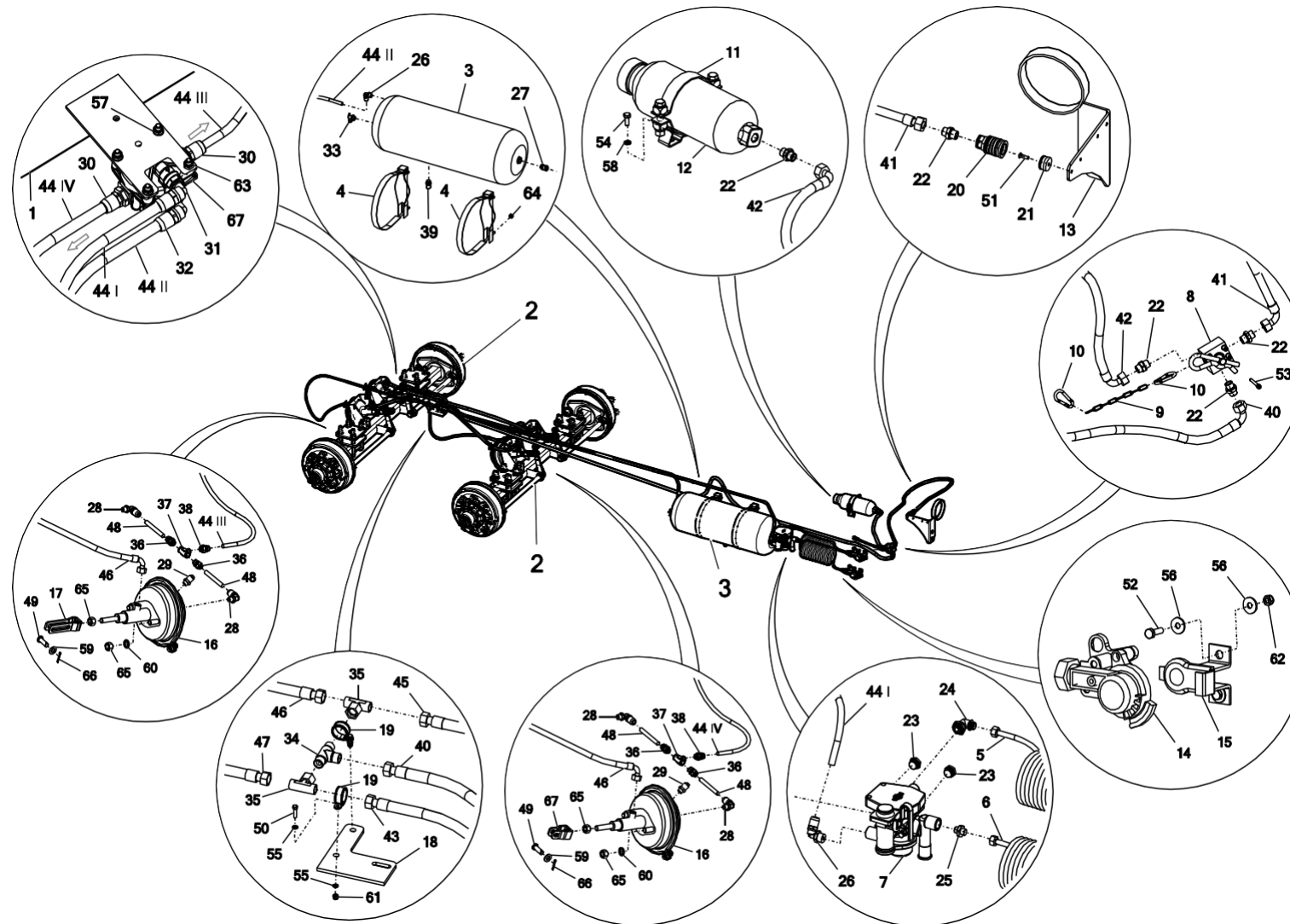
### 33. HYDRAULIC-PNEUMATIC BRAKING SYSTEM



No.	Part or assembly name	Fig. or index No.			
		N272/1	Volume	N272/2	Volume
1	Bottom frame TAURUS	N272 01.00.00.1	1	N272 01.00.00.1	1
2	Universal axle	N272-3 02.04.00.1	2	N272-3 02.04.00.1	2
3	Air tank 60 l, diam. 276 KNORR	POD-OGL-000632	1	POD-OGL-000632	1
4	Clamp for air tank 60 l, diam. 276 KNORR	POD-OGL-000633	2	POD-OGL-000633	2
5	HALDEX yellow spiral conduit	POD-OGL-000620	1	POD-OGL-000620	1
6	HALDEX red spiral conduit	POD-OGL-000619	1	POD-OGL-000619	1
7	Trailer brake valve KNORR BREMSE	POD-OGL-001098	1	POD-OGL-001098	1
8	Brakes - emergency valve 900409 (21003208)	POD-HPZ-000118	1	POD-HPZ-000118	1
9	Clamping chain diam. 2 mm	25LS	1	25LS	1
10	Snap hook with nuts diam. 6 mm galv.	POD-ELZ-000484	2	POD-ELZ-000484	2
11	Brakes - battery clamping 0.75L i 1.5L (21001623)	POD-HPZ-000116	1	POD-HPZ-000116	1
12	Brakes - hydraulic battery 1.5 l (21001971) – 100 bar	POD-HPZ-000114	1	POD-HPZ-000114	1
13	Wiring support	N272 01.08.00	1	N272 01.08.00	1
14	HALDEX conduit connector, red, front	POD-OGL-000624	2	POD-OGL-000624	2
15	Pneumatic Connector Holder	POD-OGL-000573	2	POD-OGL-000573	2
16	Hydraulic-pneumatic cylinder 24 BCDT2425 66782000415	POD-OGL-000904	4	POD-OGL-000904	4



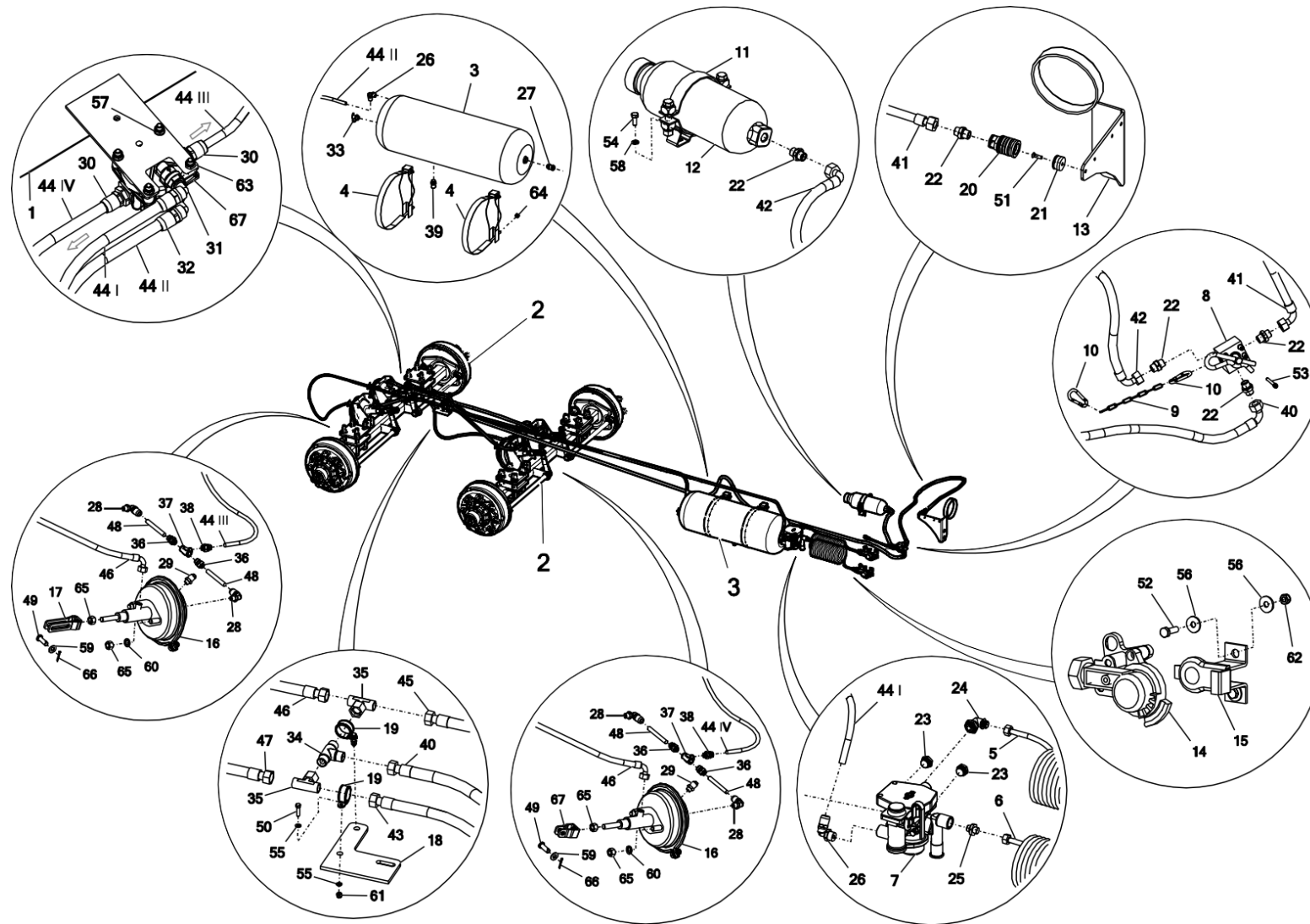
### 33. HYDRAULIC-PNEUMATIC BRAKING SYSTEM



No.	Part or assembly name	Fig. or index No.			
		N272/1	Volume	N272/2	Volume
17	Long forks for HALDEX/KNORR membrane cylinder	POD-OGL-000615	4	POD-OGL-000615	4
18*	ALB valve mounting	N272 01.00.29.1	1	N272 01.00.29.1	1
19	Band clip with rubber P-CLIP 25 x 12	POD-OGL-000179	2	POD-OGL-000179	2
20	Quick release coupling 900410 (21001462)	POD-HPZ-000117	1	POD-HPZ-000117	1
21	Quick release coupling base		1		1
22	Straight connection 18 x 18-1.5	POD-HKR-000040	5	POD-HKR-000040	5
23	Pneumatic plug M22	POD-PZŁ-000037	2	POD-PZŁ-000037	2
24	Pneumatic elbow M22-18 x 1.5	POD-OGL-001114	1	POD-OGL-001114	1
25	Straight pneumatic connector M16-M16		1		1
26	Pneumatic elbow M22-12 x 1.5 TK12	POD-PZŁ-000016	2	POD-PZŁ-000016	2
27	Bulkhead reducer M22 x 1.5-M22 x 1.5, int. M16 x 1.5	POD-OGL-001114	1	POD-OGL-001114	1
28	Pneumatic elbow M16-12 x 1.5	POD-PZŁ-000015	4	POD-PZŁ-000015	4
29	Pneumatic control connector M16 x 1.5	POD-PZŁ-000039	4	POD-PZŁ-000039	4
30	Straight connector 22 x 1.5 / diam. 15	POD-OGL-001114	2	POD-OGL-001114	2
31	Pneumatic elbow M16 TK15		1		1
32	Pneumatic elbow M22-15 x 1.5 TK15		1		1
33	Pneumatic control connector M22 x 1.5		POD-OGL-000069		1

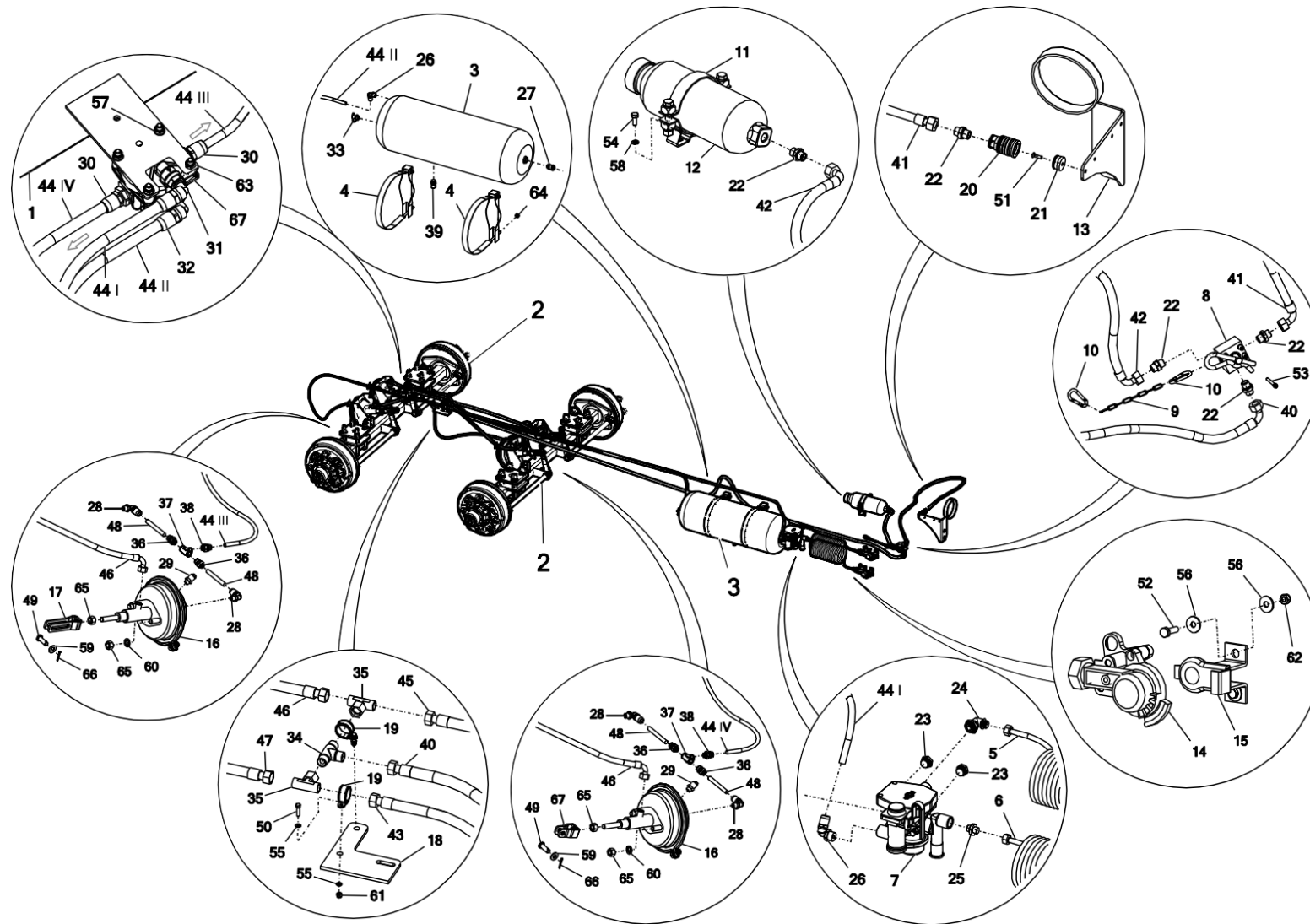


### 33. HYDRAULIC-PNEUMATIC BRAKING SYSTEM



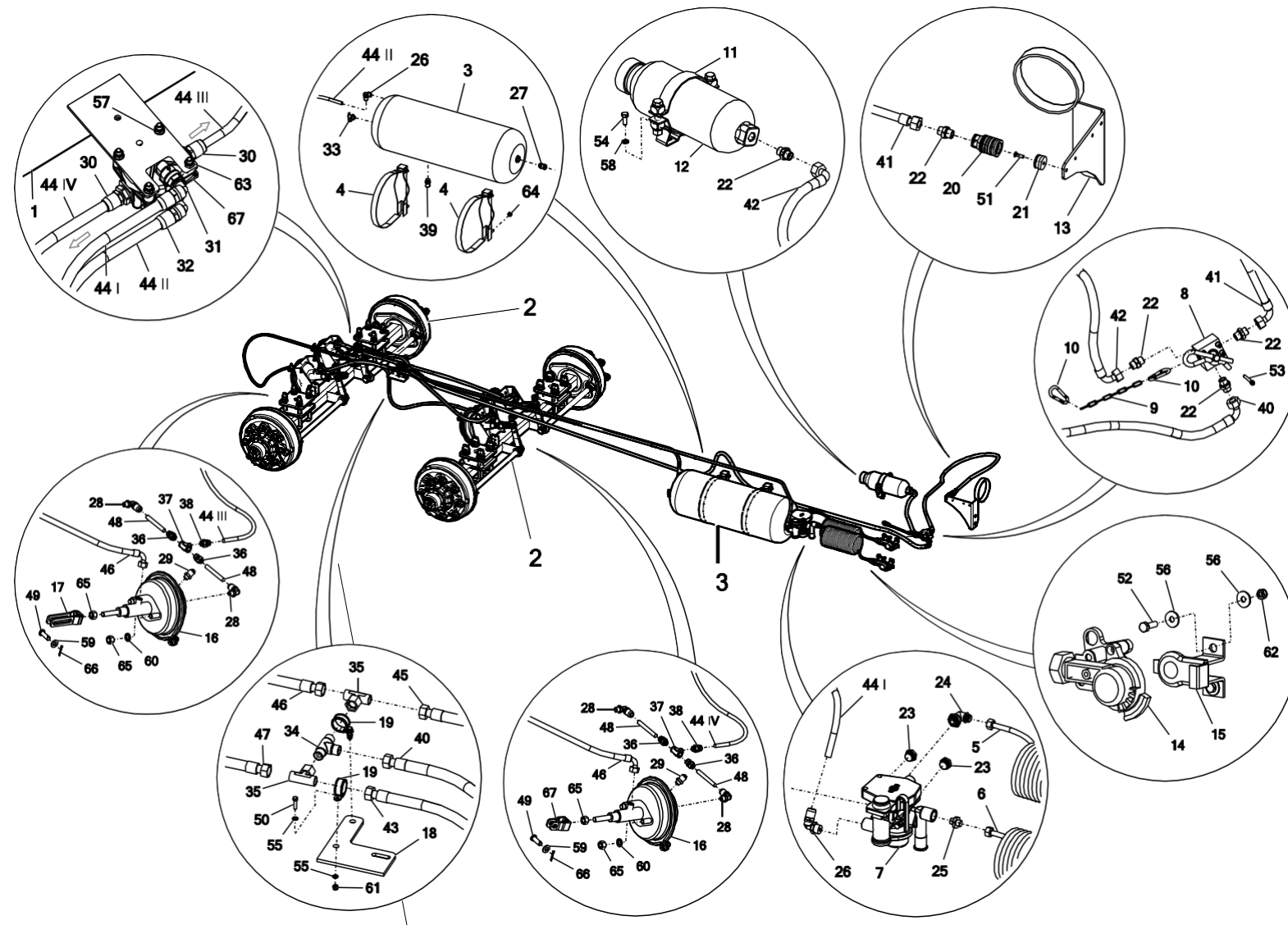
No.	Part or assembly name	Fig. or index No.			
		N272/1	Volume	N272/2	Volume
34	T-connector 18 x 18 x 18 12 L	24KT18/18/18	1	24KT18/18/18	1
35	T-connector 18 x 18 x 18-1.5 with a top nut	POD-HKR-000002-1	2	POD-HKR-000002-1	2
36	Straight pneumatic connector M16 TK12	POD-OGL-001114	4	POD-OGL-001114	4
37	T-piece M16 x 3		2		2
38	Straight pneumatic connector M16 TK15		2		2
39	Drain valve M22 x 1.5 KNORR	POD-OGL-000634	1	POD-OGL-000634	1
40	Hydraulic hose AA90/211/10 L-4300	POD-HPR-000682	1	POD-HPR-000682	1
41	Hydraulic hose AA90/211/10 L-2800		1		1
42	Hydraulic hose AA90/211/10 L-300		1		1
43	Hydraulic hose AA90/211/10 L-1000		2		2
44 I	Tecalan tube DN15 x 1.5 (14 m)	POD-TSZ-000051	4 m	POD-TSZ-000051	4 m
44 II			3.5 m		3.5 m
44 III			2 m		2 m
44 IV			1.5 m		1.5 m
45	Hydraulic hose AA90/211/10 L-1000	POD-HPR-000682	1	POD-HPR-000682	1
46	Hydraulic hose AA90/211/10 L-1500		1		1

### 33. HYDRAULIC-PNEUMATIC BRAKING SYSTEM



No.	Part or assembly name	Fig. or index No.			
		N272/1	Volume	N272/2	Volume
47	Hydraulic hose AA90/211/10 L-1250	POD-HPR-000682	1	POD-HPR-000682	1
48	Tecalan tube DN12 x 1.5	POD-TSZ-000050	1 m	POD-TSZ-000050	1 m
49	Actuator Fork Bolt	POD-OGL-000904	4	POD-OGL-000904	4
50	Bolt 5 x 20 galv. 8.8 82105	POD-ELZ-000645	2	POD-ELZ-000645	2
51	Screw 6 x 20 galv. 82208	23W6/20OC	1	23W6/20OC	1
52	Bolt 6 x 20 galv. 8.8 82105 82105 8.8	23S6/20	4	23S6/20	4
53	Allen bolt 6 x 50 galv. 8.8 82302	POD-ELZ-000752	2	POD-ELZ-000752	2
54	Bolt 8 x 20 galv. 8.8 82105 82105	23S8/20OC 8.8	2	23S8/20OC 8.8	2
55	Round washer, 5.3 galv. 82005 82005	23P5,3OC 82005	4	23P5,3OC 82005	4
56	Round washer 6 galv. coated 82030	23S6/20	8	23S6/20	8
57	Round washer 8 galv. 82005 82005	23P8OOC	4	23P8OOC	4
58	Spring washer 8.2 galv. 82008 82008	23P8SPOC	2	23P8SPOC	2
59	Cotter pin 4 x 32oc	POD-OGL-000904	4	POD-OGL-000904	4
60	Spring washer 16.3 galv. 82008 82008	23P16SP	8	23P16SP	8
61	Self-locking nut M5 galv. 82175 8	POD-ELZ-000471	2	POD-ELZ-000471	2
62	Nut M16 galv. 8.8 82144 5 82144 5	23N16OC	4	23N16OC	4
63	Self-locking nut M8 galv. 82175 8 82175 8	23NS8OC	4	23NS8OC	4

### 33. HYDRAULIC-PNEUMATIC BRAKING SYSTEM



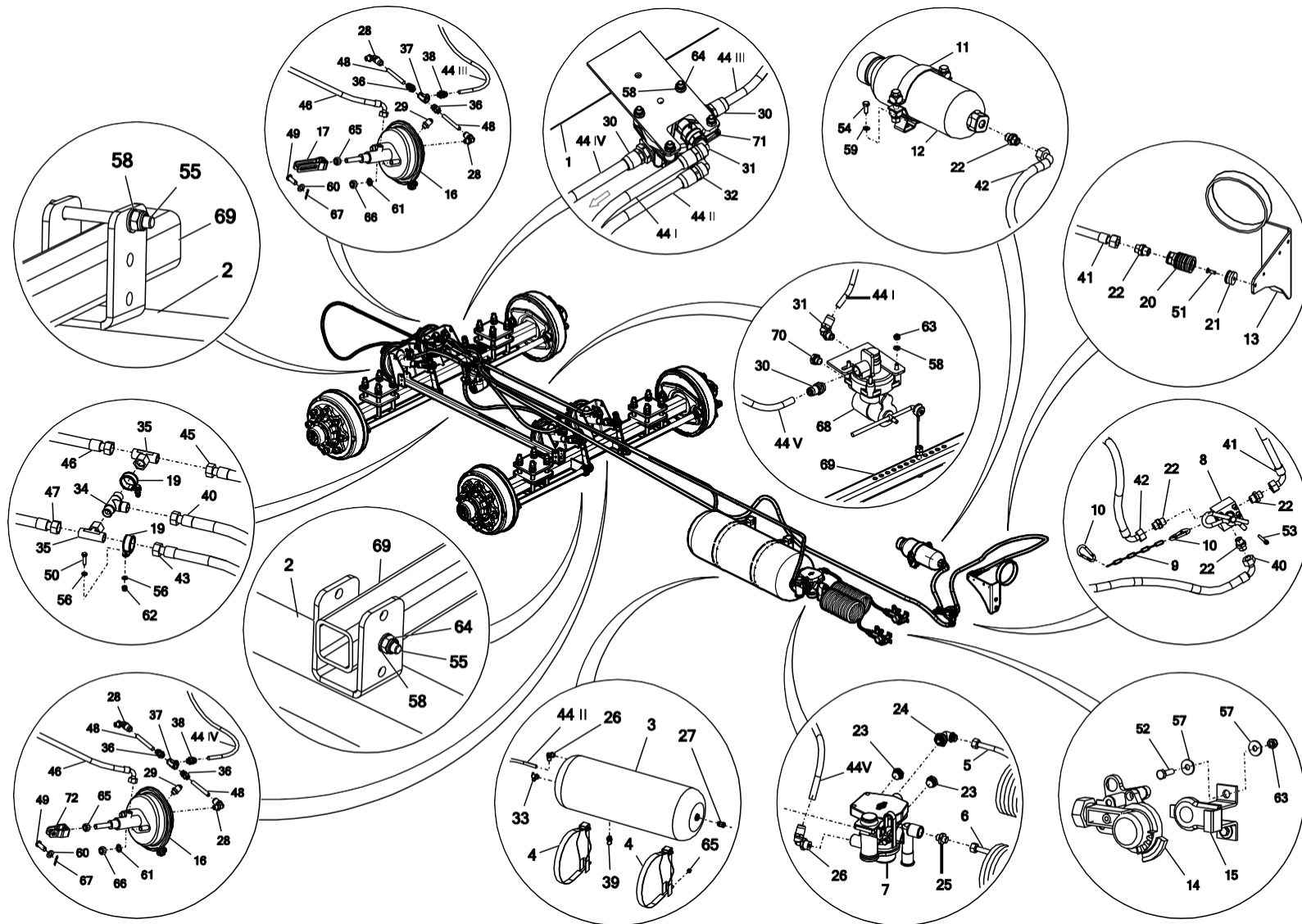
No.	Part or assembly name	Fig. or index No.			
		N272/1	Volume	N272/2	Volume
64	Nut M12 galv. 82144 5	23N12OC	2	23N12OC	2
65	Fine-threaded nut M16 x 1.5 galv. 82144	POD-ELZ-000764	8	POD-ELZ-000764	8
66	HALDEX - Cylinder washer 30	POD-OGL-000904	4	POD-OGL-000904	4
67*	Short forks for membrane cylinder	POD-OGL-000637	2	POD-OGL-000637	2
68	Relay valve KNORR	POD-OGL-000850	1	POD-OGL-000850	1

**Key:** 18\* - inseparable part of the bottom frame - **N272 01.00.00.1**

67\* - included as part of the following set: Hydraulic-pneumatic cylinder 24 BCDT2425 66782000415 - **POD-OGL-000904**



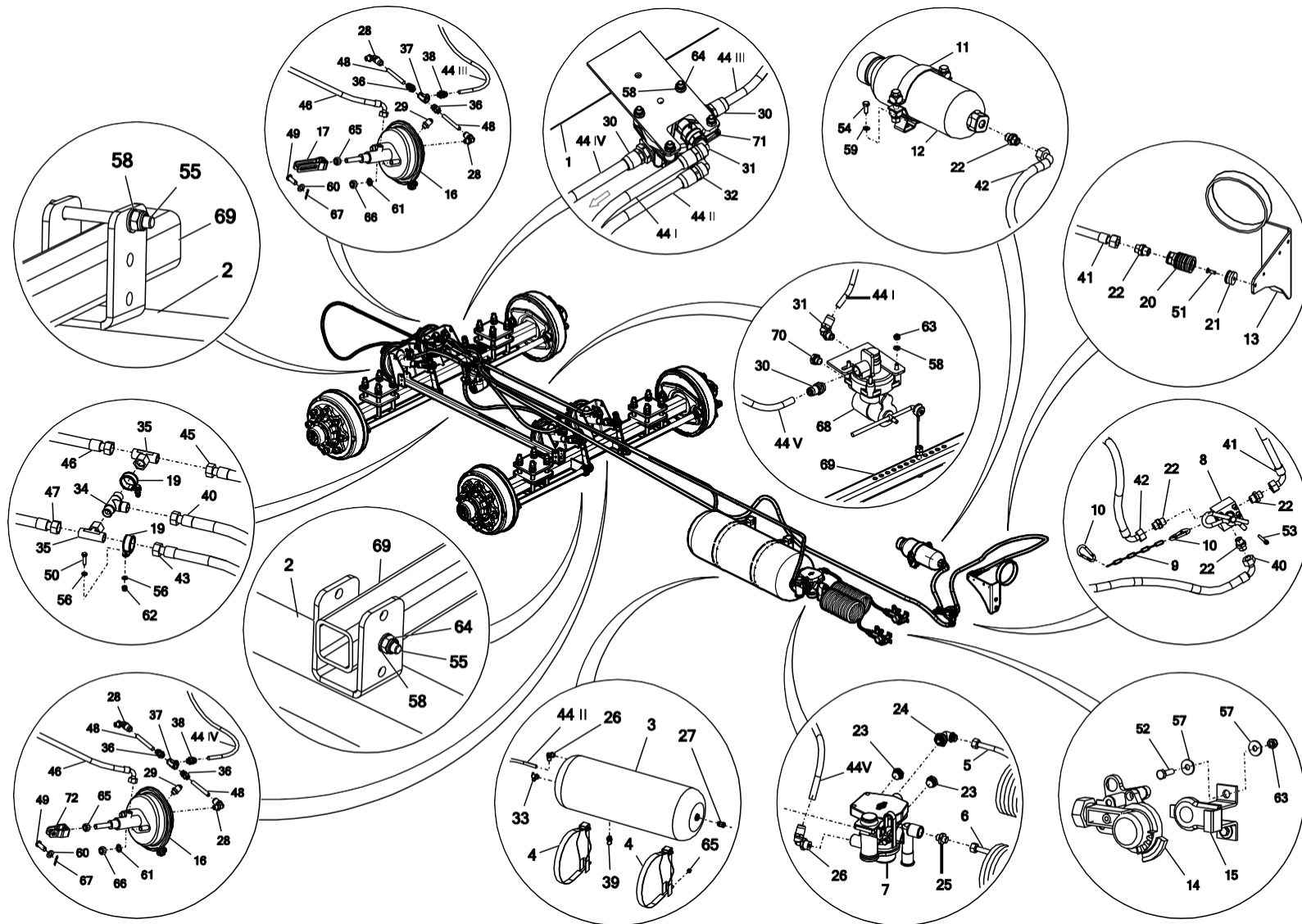
### 34. HYDRAULIC-PNEUMATIC BRAKING SYSTEM WITH ALB



No.	Part or assembly name	Fig. or index No.			
		N272/1	Volume	N272/2	Volume
1	Bottom frame TAURUS	N272 01.00.00.1	1	N272 01.00.00.1	1
2	Universal axle	N272-3 02.04.00.1	2	N272-3 02.04.00.1	2
3	Air tank 60 l, diam. 276 KNORR	POD-OGL-000632	1	POD-OGL-000632	1
4	Clamp for air tank 60 l, diam. 276 KNORR	POD-OGL-000633	2	POD-OGL-000633	2
5	HALDEX yellow spiral conduit	POD-OGL-000620	1	POD-OGL-000620	1
6	HALDEX red spiral conduit	POD-OGL-000619	1	POD-OGL-000619	1
7	Trailer brake valve KNORR BREMSE	POD-OGL-001098	1	POD-OGL-001098	1
8	Brakes - emergency valve 900409 (21003208)	POD-HPZ-000118	1	POD-HPZ-000118	1
9	Clamping chain diam. 2 mm	25LS	1	25LS	1
10	Snap hook with nuts diam. 6 mm galv.	POD-ELZ-000484	2	POD-ELZ-000484	2
11	Brakes - battery clamping 0.75L i 1.5L (21001623)	POD-HPZ-000116	1	POD-HPZ-000116	1
12	Brakes - hydraulic battery 1.5 l (21001971) – 100 bar	POD-HPZ-000114	1	POD-HPZ-000114	1
13	Wiring support	N272 01.08.00	1	N272 01.08.00	1
14	HALDEX conduit connector, red, front	POD-OGL-000624	2	POD-OGL-000624	2
15	Pneumatic Connector Holder	POD-OGL-000573	2	POD-OGL-000573	2
16	Hydraulic-pneumatic cylinder 24 BCDT2425 66782000415	POD-OGL-000904	4	POD-OGL-000904	4

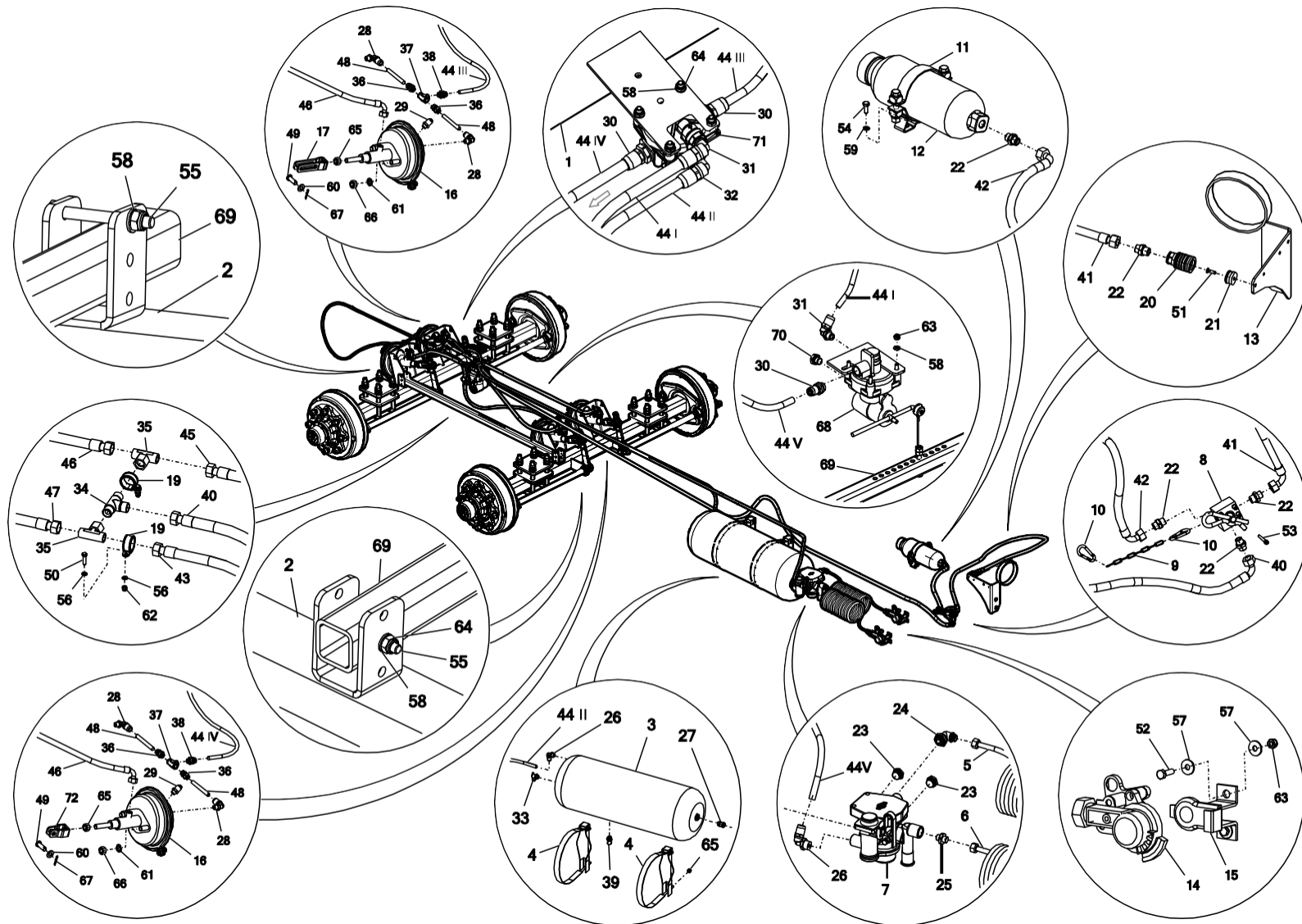


### 34. HYDRAULIC-PNEUMATIC BRAKING SYSTEM WITH ALB



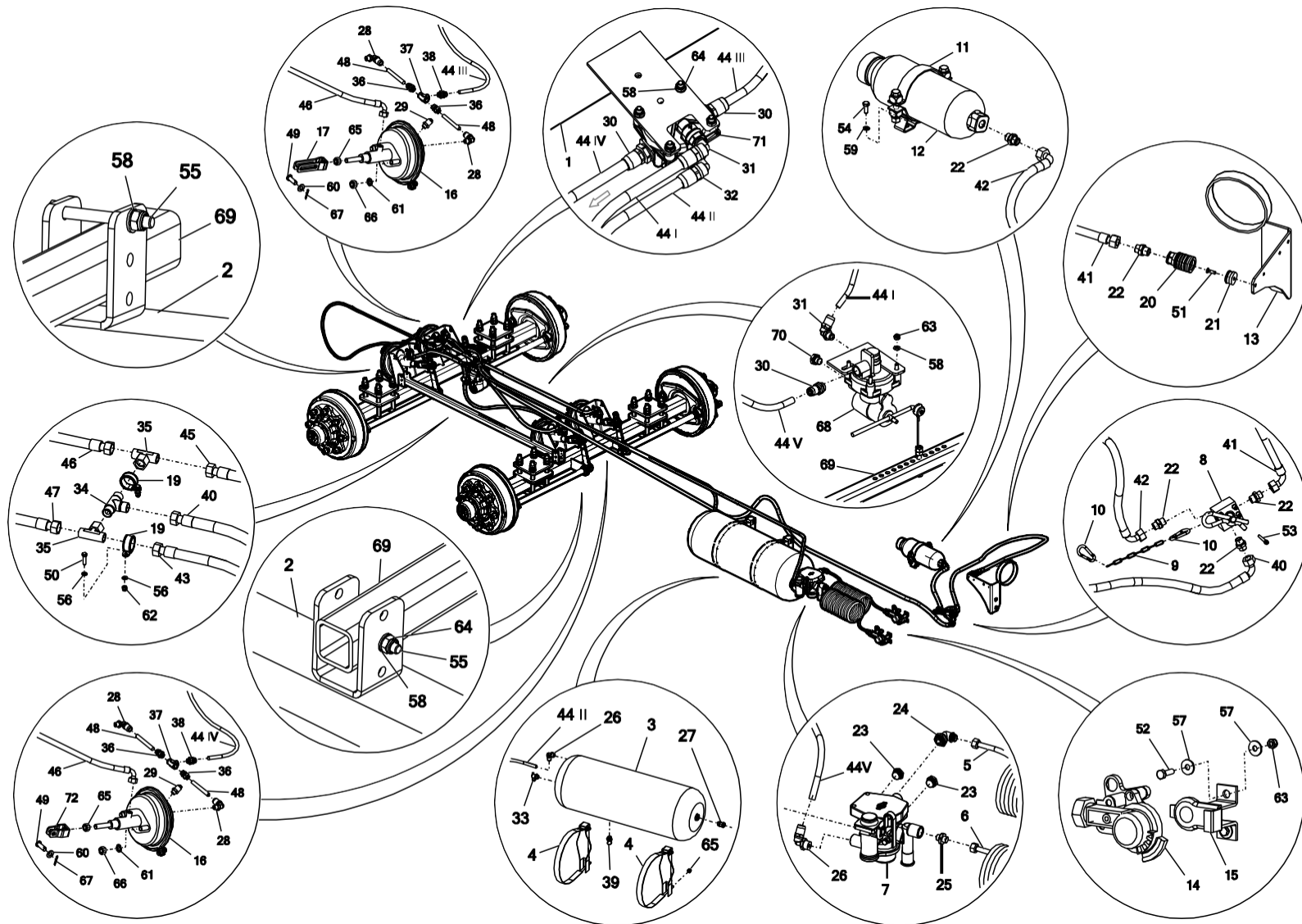
No.	Part or assembly name	Fig. or index No.			
		N272/1	Volume	N272/2	Volume
17	Long forks for HALDEX/KNORR membrane cylinder	POD-OGL-000615	4	POD-OGL-000615	4
18	ALB valve mounting	N272 01.00.29.1	1	N272 01.00.29.1	1
19	Band clip with rubber P-CLIP 25 x 12	POD-OGL-000179	2	POD-OGL-000179	2
20	Quick release coupling 900410 (21001462)	POD-HPZ-000117	1	POD-HPZ-000117	1
21	Quick release coupling base		1		1
22	Straight connection 18 x 18-1.5	POD-HKR-000040	5	POD-HKR-000040	5
23	Pneumatic plug M22	POD-PZŁ-000037	2	POD-PZŁ-000037	2
24	Pneumatic elbow M22-18 x 1.5	POD-OGL-001114	1	POD-OGL-001114	1
25	Straight pneumatic connector M16-M16		1		1
26	Pneumatic elbow M22-12 x 1.5 TK12	POD-PZŁ-000016	2	POD-PZŁ-000016	2
27	Bulkhead reducer M22 x 1.5-M22 x 1.5, int. M16 x 1.5	POD-OGL-001114	1	POD-OGL-001114	1
28	Pneumatic elbow M16-12 x 1.5	POD-PZŁ-000015	4	POD-PZŁ-000015	4
29	Pneumatic control connector M16 x 1.5	POD-PZŁ-000039	4	POD-PZŁ-000039	4
30	Straight connector 22 x 1.5 / diam. 15	POD-OGL-001114	2	POD-OGL-001114	2
31	Pneumatic elbow M16 TK15		1		1
32	Pneumatic elbow M22-15 x 1.5 TK15		1		1
33	Pneumatic control connector M22 x 1.5	POD-OGL-000069	1	POD-OGL-000069	1
34	T-connector 18 x 18 x 18 12 L	24KT18/18/18	1	24KT18/18/18	1

### 34. HYDRAULIC-PNEUMATIC BRAKING SYSTEM WITH ALB



No.	Part or assembly name	Fig. or index No.			
		N272/1	Volume	N272/2	Volume
35	T-connector 18 x 18 x 18-1.5 with a top nut	POD-HKR-000002-1	2	POD-HKR-000002-1	2
36	Straight pneumatic connector M16 TK12	POD-OGL-001114	4	POD-OGL-001114	4
37	T-piece M16 x 3		2		2
38	Straight pneumatic connector M16 TK15		2		2
39	Drain valve M22 x 1.5 KNORR	POD-OGL-000634	1	POD-OGL-000634	1
40	Hydraulic hose AA90/211/10 L-4300	POD-HPR-000682	1	POD-HPR-000682	1
41	Hydraulic hose AA90/211/10 L-2000		1		1
42	Hydraulic hose AA90/211/10 L-300		1		1
43	Hydraulic hose AA90/211/10 L-1000		2		2
44 I	Tecalan tube DN15 x 1.5 (14 m)	POD-TSZ-000051	0.5 m	POD-TSZ-000051	0.5 m
44 II			3.1 m		3.1 m
44 III			2 m		2 m
44 IV			1.5 m		1.5 m
44 V			3.5 m		3.5 m
45	Hydraulic hose AA90/211/10 L-1000	POD-HPR-000682	1	POD-HPR-000682	1
46	Hydraulic hose AA90/211/10 L-1500		1		1
47	Hydraulic hose AA90/211/10 L-1250		1		1

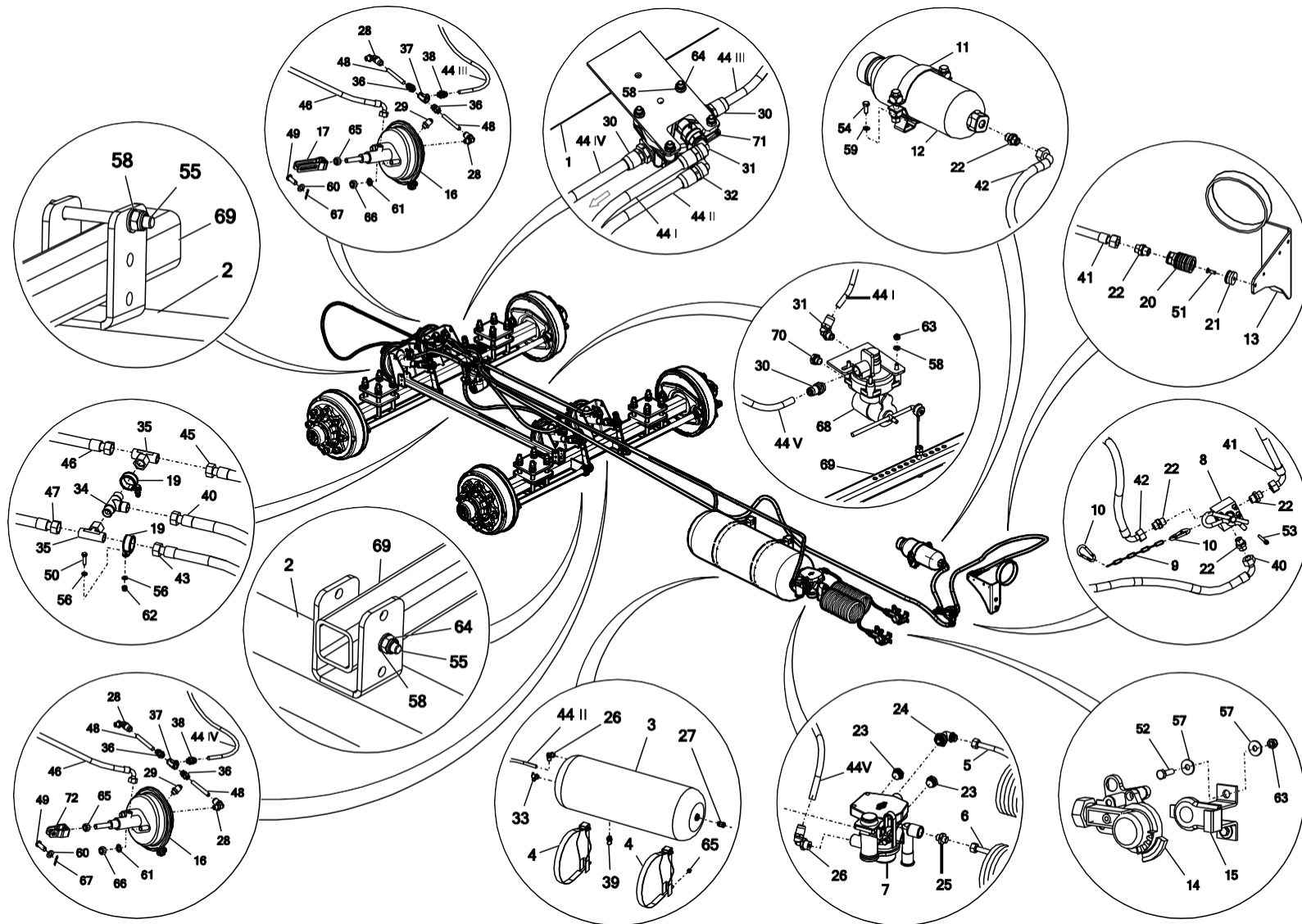
### 34. HYDRAULIC-PNEUMATIC BRAKING SYSTEM WITH ALB



No.	Part or assembly name	Fig. or index No.			
		N272/1	Volume	N272/2	Volume
48	Tecalan tube DN12 x 1.5	POD-TSZ-000050	1 m	POD-TSZ-000050	1 m
49	Actuator Fork Bolt	POD-OGL-000904	4	POD-OGL-000904	4
50	Bolt 5 x 20 galv. 8.8 82105	POD-ELZ-000645	2	POD-ELZ-000645	2
51	Screw 6 x 20 galv. 82208	23W6/20OC	1	23W6/20OC	1
52	Bolt 6 x 20 galv. 8.8 82105 82105 8.8	23S6/20	4	23S6/20	4
53	Allen bolt 6 x 50 galv. 8.8 82302	POD-ELZ-000752	2	POD-ELZ-000752	2
54	Bolt 8 x 20 galv. 8.8 82105 82105	23S8/20OC 8.8	2	23S8/20OC 8.8	2
55	Bolt 8 x 70 galv. 8.8 82101 82101	23S8/70OC	2	23S8/70OC	2
56	Nut M16 galv. 8.8 82144 5 82144 5	23N16OC	12	23N16OC	12
57	Round washer 6 galv. coated 82030	23P6OC030	8	23P6OC030	8
58	Round washer 8 galv. 82005 82005	23P8OOC	4	23P8OOC	4
59	Cotter pin 4 x 32oc	POD-OGL-000904	4	POD-OGL-000904	4
60	Actuator Fork Bolt		4		4
61	Spring washer 16.3 galv. 82008 82008	23P16SP	8	23P16SP	8
62	Self-locking nut M5 galv. 82175 8	POD-ELZ-000471	2	POD-ELZ-000471	2
63	Nut M16 galv. 8.8 82144 5 82144 5	23N16OC	12	23N16OC	12
64	Self-locking nut M8 galv. 82175 8 82175 8	23NS8OC	4	23NS8OC	4
65	Nut M12 galv. 82144 5	23N12OC	2	23N12OC	2



### 34. HYDRAULIC-PNEUMATIC BRAKING SYSTEM WITH ALB



No.	Part or assembly name	Fig. or index No.			
		N272/1	Volume	N272/2	Volume
66	Fine-threaded nut M16 x 1.5 galv. 82144	POD-ELZ-000764	8	POD-ELZ-000764	8
67	HALDEX - Cylinder washer 30	POD-OGL-000904	4	POD-OGL-000904	4
68*	Mechanical braking force regulator	POD-OGL-001110	1	POD-OGL-001110	1
69	Lever ALB N272 02.04.09	N272 02.04.09	1	N272 02.04.09	1
70	Pneumatic plug M16	POD-PZŁ-000036	1	POD-PZŁ-000036	1
71	Relay valve KNORR	POD-OGL-000850	1	POD-OGL-000850	1
72*	Short forks for membrane cylinder	POD-OGL-000637	2	POD-OGL-000637	2

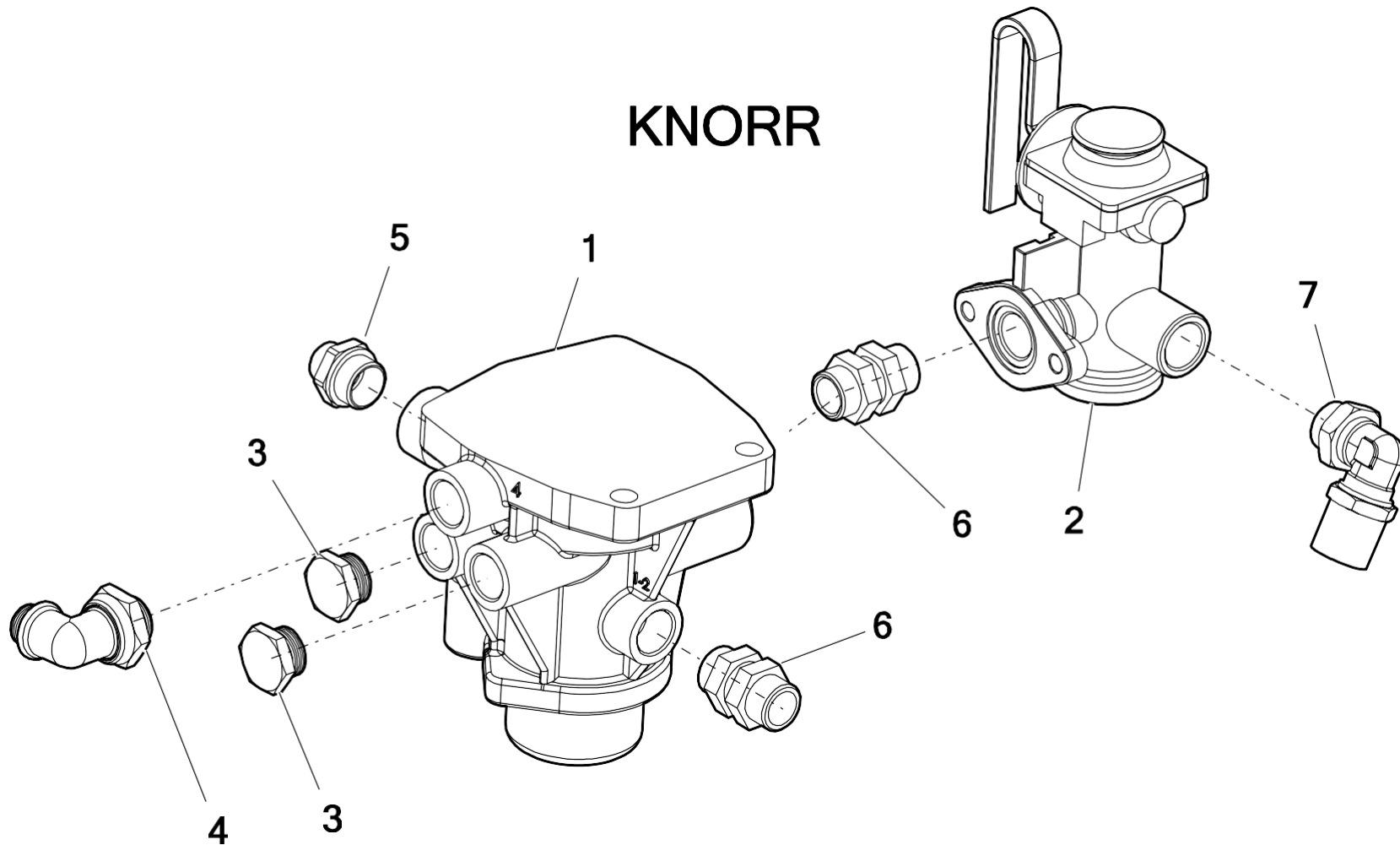
**Key:**

**68\*** - included as part of the following set: KNORR TUV type braking system, UNIVERSAL automatic adjustment ALB VALVES - **POD-OGL-001110**

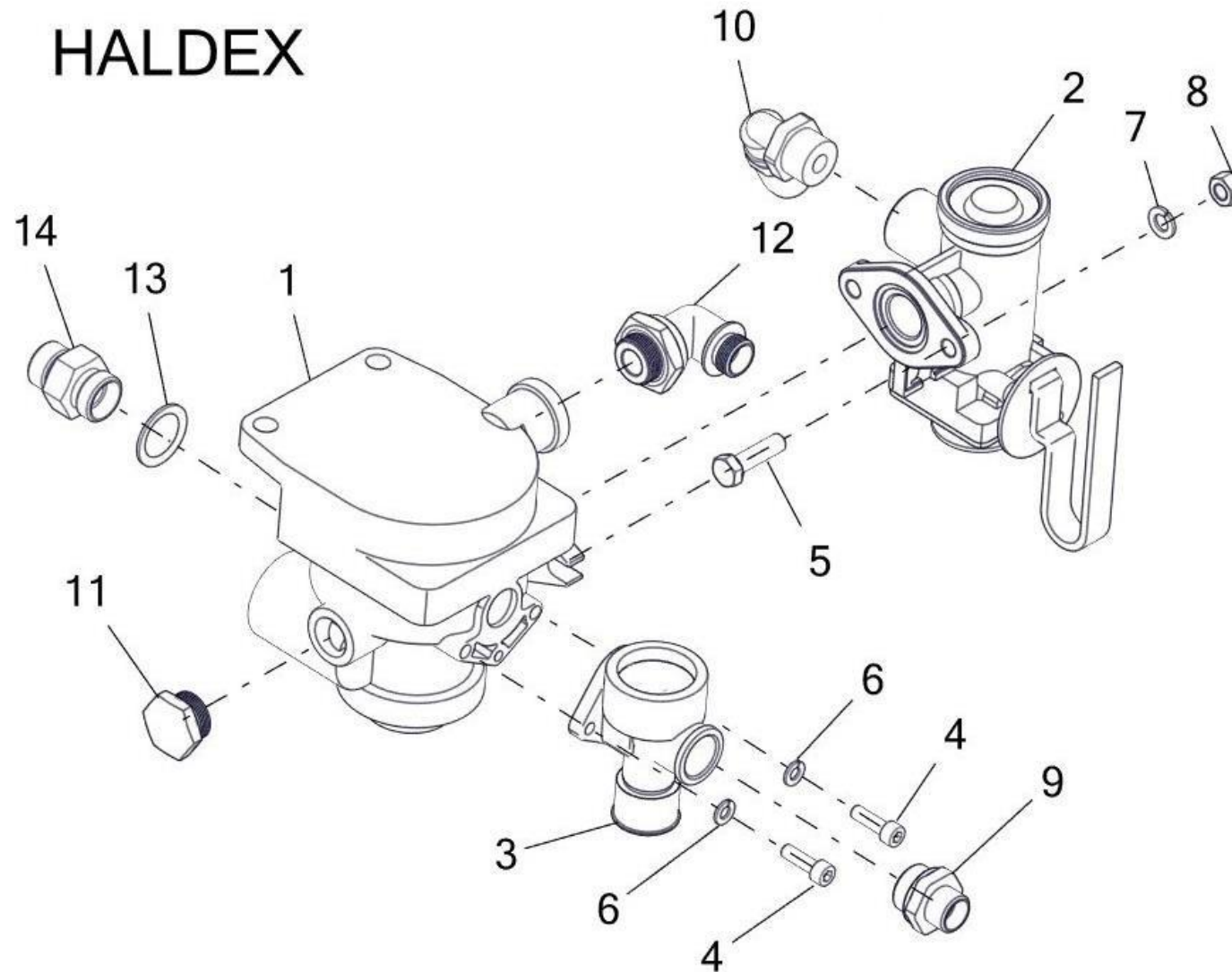
**72\*** - included as part of the following set: Hydraulic-pneumatic cylinder 24 BCDT2425 66782000415 - **POD-OGL-000904**



**35. BRAKE VALVE, COMPLETE – KNORR**

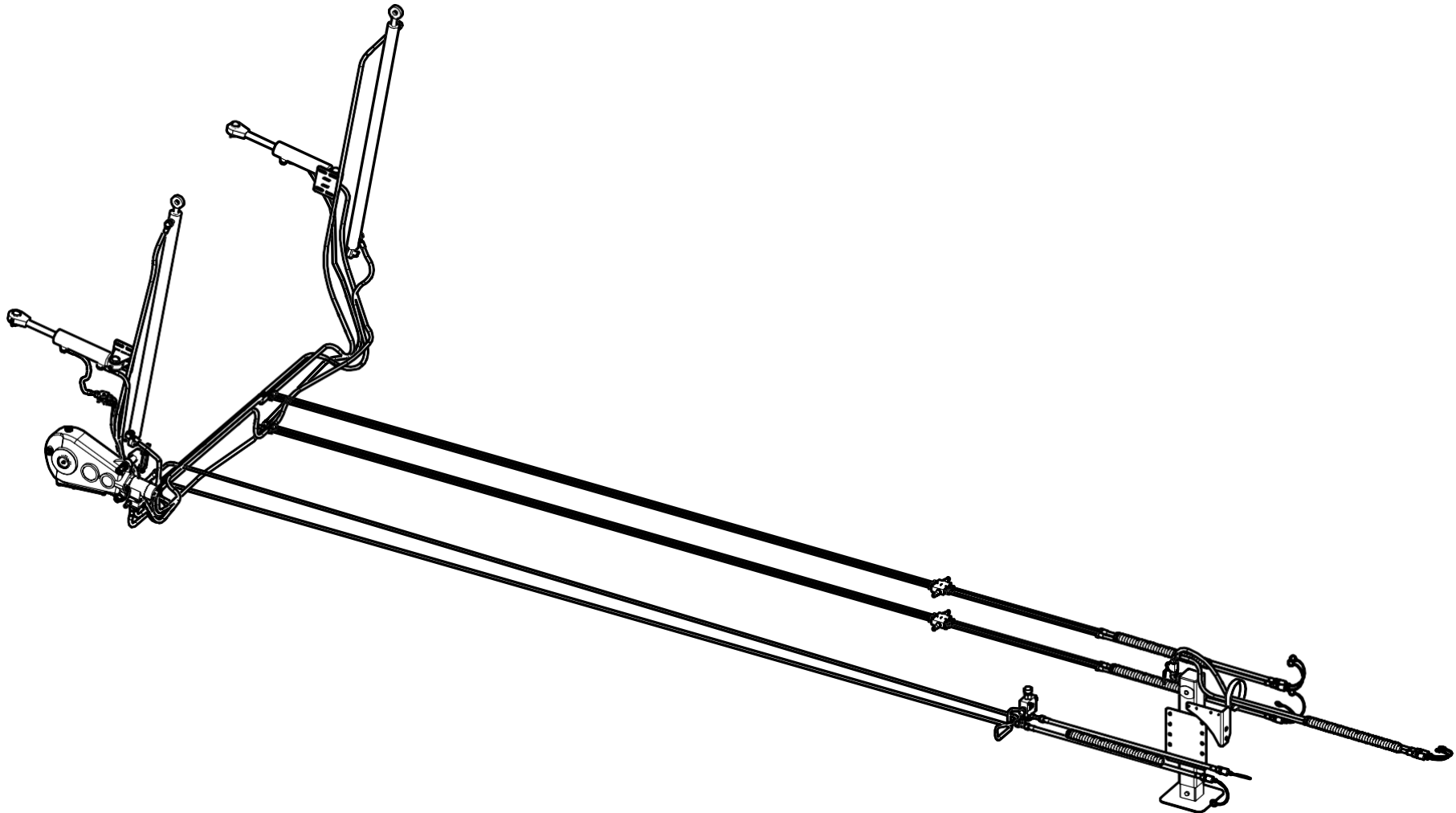


No.	Part or assembly name	Fig. or index No.			
		N272/1	Volume	N272/2	Volume
1	Trailer brake valve with KNORR brake release	POD-OGL-001098	1	POD-OGL-001098	1
2	Manual braking-force regulator		1		1
3	Pneumatic plug M22	POD-OGL-001114	2	POD-OGL-001114	2
4	Pneumatic elbow M22-18 x 1.5		1		1
5	Straight pneumatic connector M22-M22		1		1
6	Bulkhead reducer M22 x 1.5-M22 x 1.5, int. M16 x 1.5		1		1
7	Pneumatic elbow M22-12 x 1.5 TK12		2		2

**36. BRAKE VALVE, COMPLETE – HALDEX**

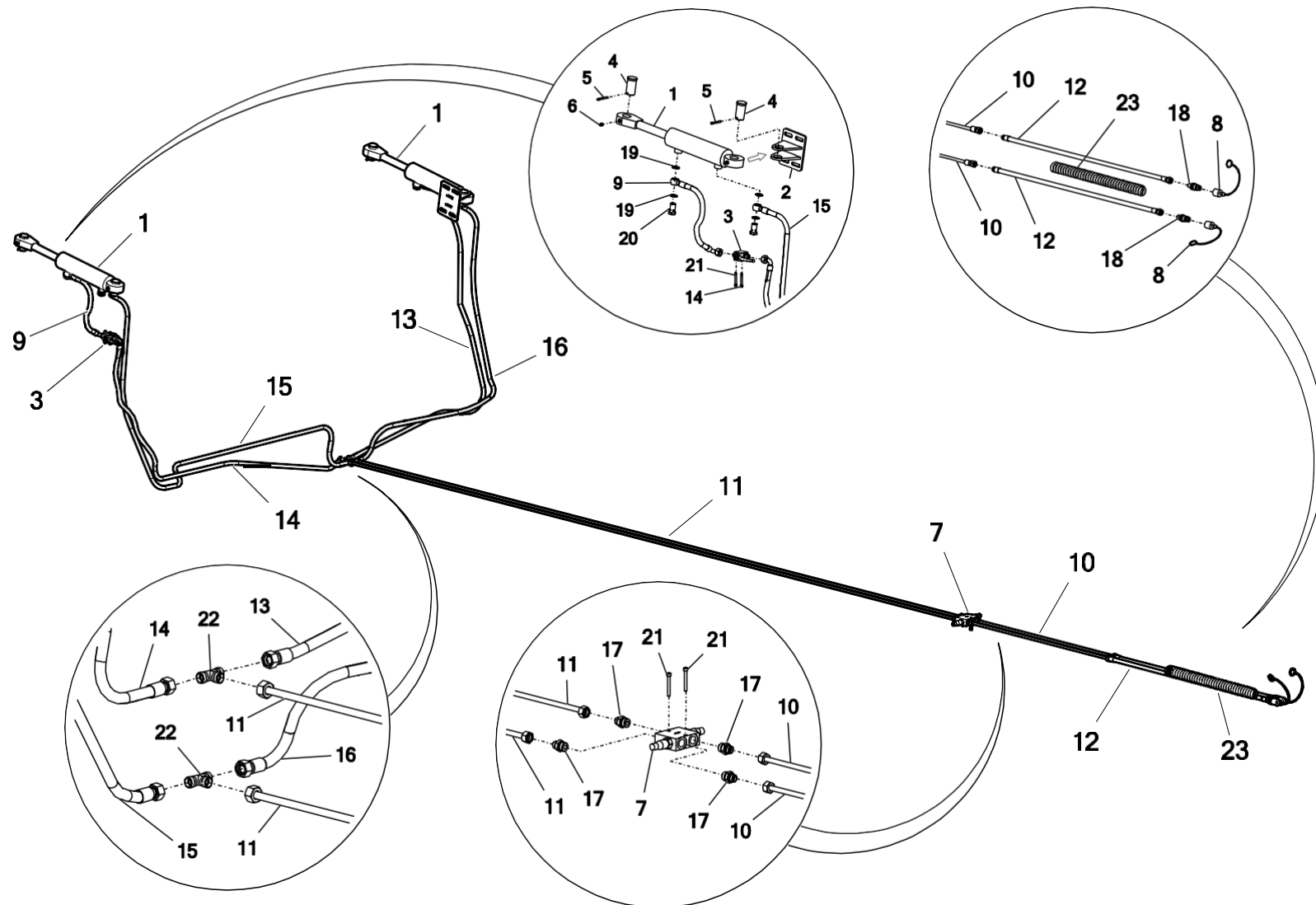
No.	Part or assembly name	Fig. or index No.			
		N272/1	Volume	N272/2	Volume
1	Brake valve HALDEX	3510080011	1	3510080011	1
2	Manual braking-force regulator	POD-OGL-001098	1	POD-OGL-001098	1
3	Brake valve release	POD-OGL-001044	1	POD-OGL-001044	1
4	Allen bolt 6 x 20 galv. 8.8 82302	POD-ELZ-000759	2	POD-ELZ-000759	2
5	Bolt 8 x 30 galv. 8.8 82105 82105	23S8/300C 8.8	2	23S8/300C 8.8	2
6	Spring washer, 6.1 galv. 82008 82008	23P6SPOC	2	23P6SPOC	2
7	Spring washer 8.2 galv. 82008 82008	23P8SPOC	2	23P8SPOC	2
8	Nut M8 galv. 82144 5	23N8OC	2	23N8OC	2
9	Straight pneumatic connector M22-M16	POD-PZŁ-000010	1	POD-PZŁ-000010	1
10	Straight pneumatic elbow M22-12 x 1.5 TK12	POD-PZŁ-000016	1	POD-PZŁ-000016	1
11	Pneumatic plug M22	POD-PZŁ-000037	1	POD-PZŁ-000037	1
12	Pneumatic elbow M22-16 x 1.5	POD-PZŁ	1	POD-PZŁ	1
13	Seal ring PPM22 30 x 22	24UPPM22	1	24UPPM22	1
14	Connector	24K22-22	1	24K22-22	1

**37. FOUR-SECTION HYDRAULIC SYSTEM, COMPLETE**





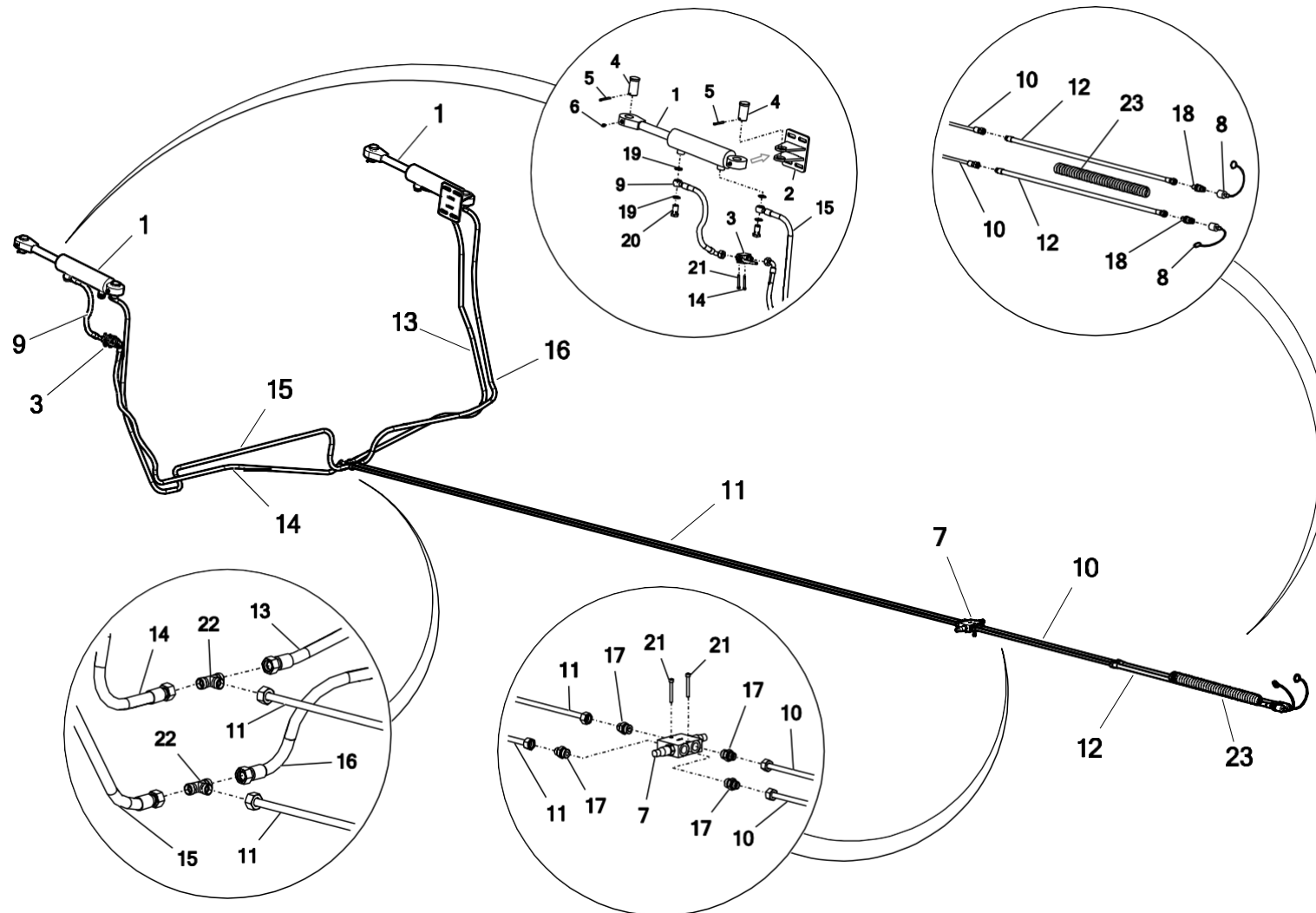
### 38. FOUR-SECTION HYDRAULIC SYSTEM - Guard section of the vertical adapter



No.	Part or assembly name	Fig. or index No.			
		N272/1	Volume	N272/2	Volume
1	Cylinder UCJ2FW-63/36/150z LL+UUE2s*L-432	POD-HSL-000147	2	POD-HSL-000147	2
2	Cylinder mounting N272 03.36.00.1	N272 03.36.00.1	2	N272 03.36.00.1	2
3	Ball valve RS2 12L (with holes)	POD-HZW-000032	1	POD-HZW-000032	1
4	Extension cylinder pin	N272-3 05.10.02	4	N272-3 05.10.02	4
5	POD-ELZ-000440	POD-ELZ-000440	4	POD-ELZ-000440	4
6	Lubricating nipple M6 x 1.0 straight	23SM	4	23SM	4
7	Cross over relief valve VBDC3802 210b - VAU 1/2cal	24ZP	1	24ZP	1
8	Vale cap EURO plug 13 (green, yellow, blue, red)	24ZWNE13	2	24ZWNE13	2
9	Hydraulic hose A90RNM/21_/10 L-350	POD-HPR-000628	1	POD-HPR-000628	1
10	Cylinder bottom pipe I ø12 N272 03.20.01 L-950		2		2
11	Cylinder bottom pipe II ø12 N272 03.20.01 L-3900		2		2
12	Hydraulic hose BA/211/10 L-3000		2		2
13	Hydraulic hose ARNM/21_/10 L-1900		1		1
14	Hydraulic hose AA90/211/10 L-2150		1		1
15	Hydraulic hose ARNM/21_/10 L-2350		1		1

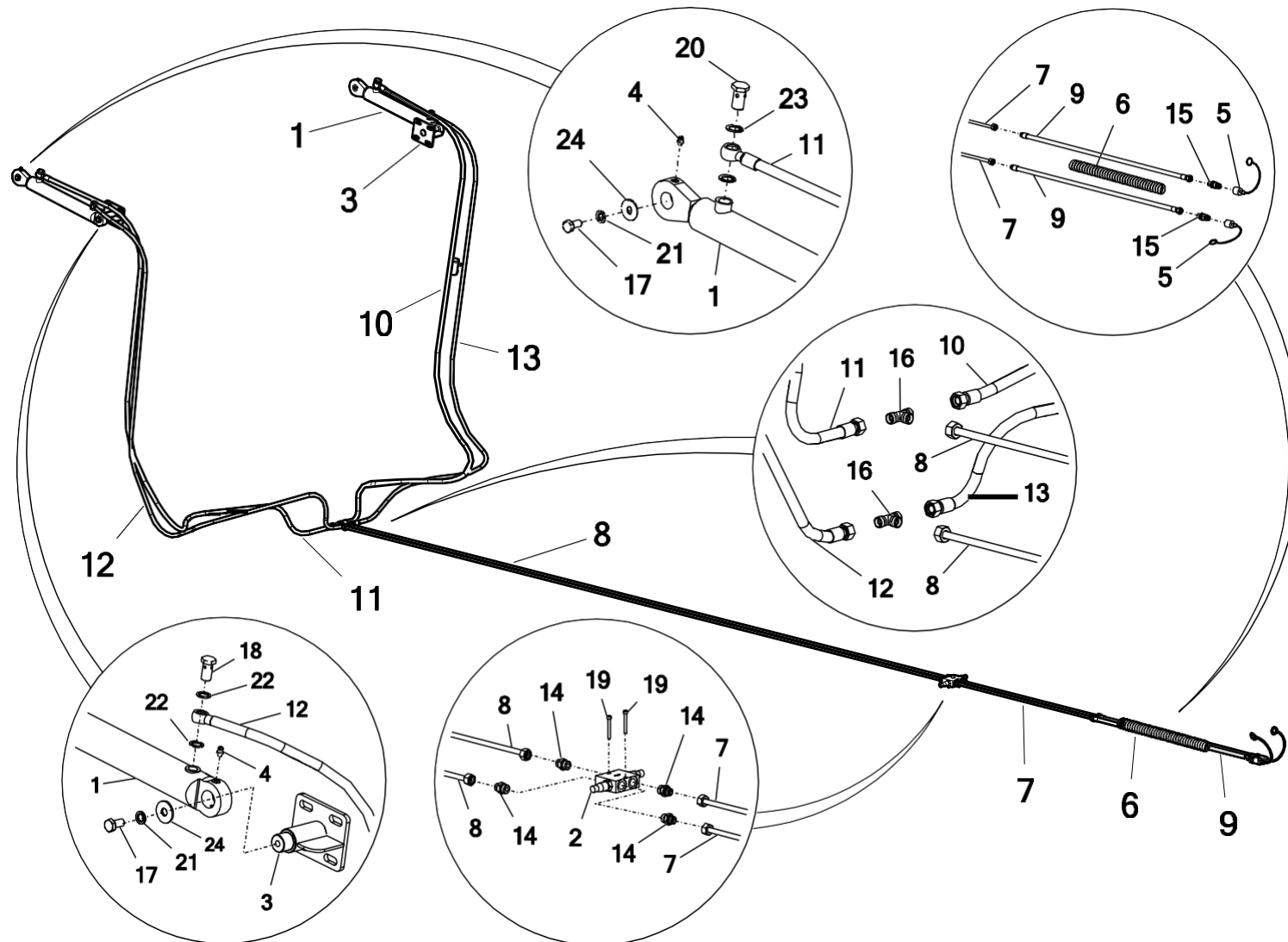


### 38. FOUR-SECTION HYDRAULIC SYSTEM - Guard section of the vertical adapter



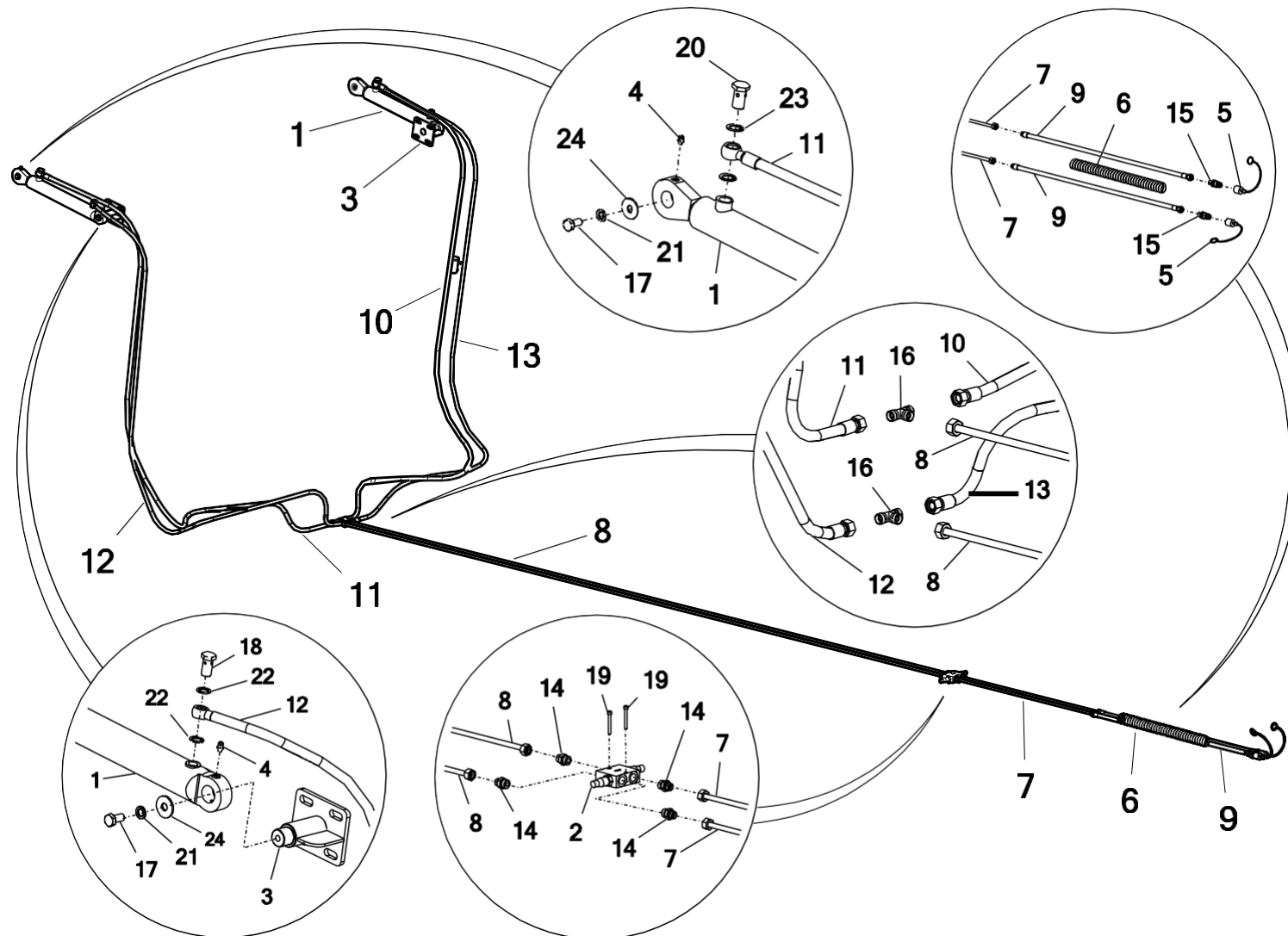
No.	Part or assembly name	Fig. or index No.			
		N272/1	Volume	N272/2	Volume
16	Hydraulic hose ARNM/21_/10 L-1750	POD-HPR-000628	1	POD-HPR-000628	1
17	Straight connection 1/2 edx18-1.5	24KP1/2 18	4	24KP1/2 18	4
18	Euro valve-plug M18 x 1.5	24ZWE13-M18x1.5	2	24ZWE13-M18x1.5	2
19	Metal & rubber washer PPM22 30 x 22	24UPPM22	4	24UPPM22	4
20	Eye bolt 1/2" 20 L36	24SO1/2"	4	24SO1/2"	4
21	Allen bolt 6 x 50 galv. 8.8 82302	POD-ELZ-000752	2	POD-ELZ-000752	2
22	T-connector 18 x 18 x 18 12 L	24KT18/18/18	2	24KT18/18/18	2
23	Spiral guard HG-32/int. diameter 28/ (25-32)	POD-HPZ-000042-1	14 m	POD-HPZ-000042-1	14 m

### 39. FOUR-SECTION HYDRAULIC SYSTEM - Guard section of the horizontal adapter



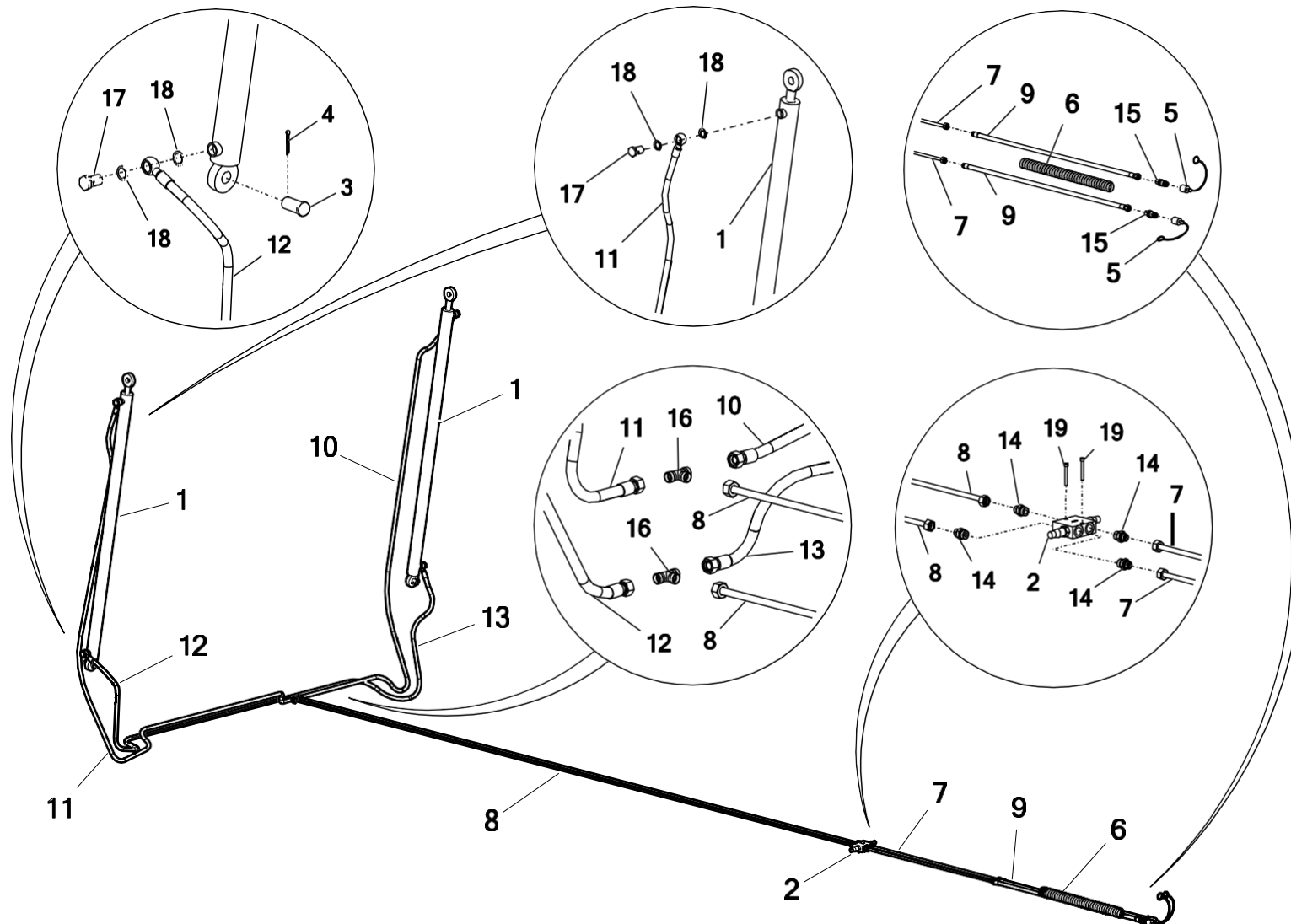
No.	Part or assembly name	Fig. or index No.			
		N272/1	Volume	N272/2	Volume
1	Cylinder 50/28/300z+U L-532	24SCJ2F-16-50/28/300	2	24SCJ2F-16-50/28/300	2
2	Cross over relief valve VBDC3802 210b - VAU 1/2cal	24ZP	1	24ZP	1
3	Mounting of the horizontal tailgate cylinder	N272 03.38.00	2	N272 03.38.00	2
4	Lubricating nipple M6 x 1.0 straight	23SM	4	23SM	4
5	Vale cap EURO plug 13 (green, yellow, blue, red)	24ZWNE13	2	24ZWNE13	2
6	Spiral guard HG-32/int. diameter 28/ (25-32)	POD-HPZ-000042-1	11 m	POD-HPZ-000042-1	11 m
7	Cylinder bottom pipe I ø12 N272 03.20.01 L-950	POD-HPR-000627	2	POD-HPR-000627	2
8	Cylinder bottom pipe II ø12 N272 03.20.02 L-3900		2		2
9	Hydraulic hose BA/211/10 L-3000		2		2
10	Hydraulic hose ARNM/211/10 L-3000		1		1
11	Hydraulic hose ARNM/21_/10 L-3400		1		1
12	Hydraulic hose ARNM/211/10 L-3300		1		1
13	Hydraulic hose ARNM/211/10 L-2650		1		1
14	Straight connection 1/2 edx18-1.5	24KP1/2 18	4	24KP1/2 18	4
15	Euro valve-plug M18 x 1.5	24ZWE13-M18x1.5	2	24ZWE13-M18x1.5	2

### 39. FOUR-SECTION HYDRAULIC SYSTEM - Guard section of the horizontal adapter



No.	Part or assembly name	Fig. or index No.			
		N272/1	Volume	N272/2	Volume
16	T-connector 18 x 18 x 18 12 L	24KT18/18/18	2	24KT18/18/18	2
17	Screw 12 x 25 galv. 8.8 82105 82105	23S12/25OC 8.8	4	23S12/25OC 8.8	4
18	Eye bolt M16 x 1.5 15 L31	24SO16/1.5	2	24SO16/1.5	2
19	Allen bolt 6 x 50 galv. 8.8 82302	POD-ELZ-000752	2	POD-ELZ-000752	2
20	Eye bolt 1/2" 20 L36	24SO1/2"	2	24SO1/2"	2
21	Spring washer 12 galv. 82008 82008	23P12SP	2	23P12SP	2
22	Metal-rubber washer PPM 16 24 x 16	24UPPM16	4	24UPPM16	4
23	Metal & rubber washer PPM22 30 x 22	24UPPM22	4	24UPPM22	4
24	Washer, round 12 galv. coat. 82030	23P12OOC	2	23P12OOC	2

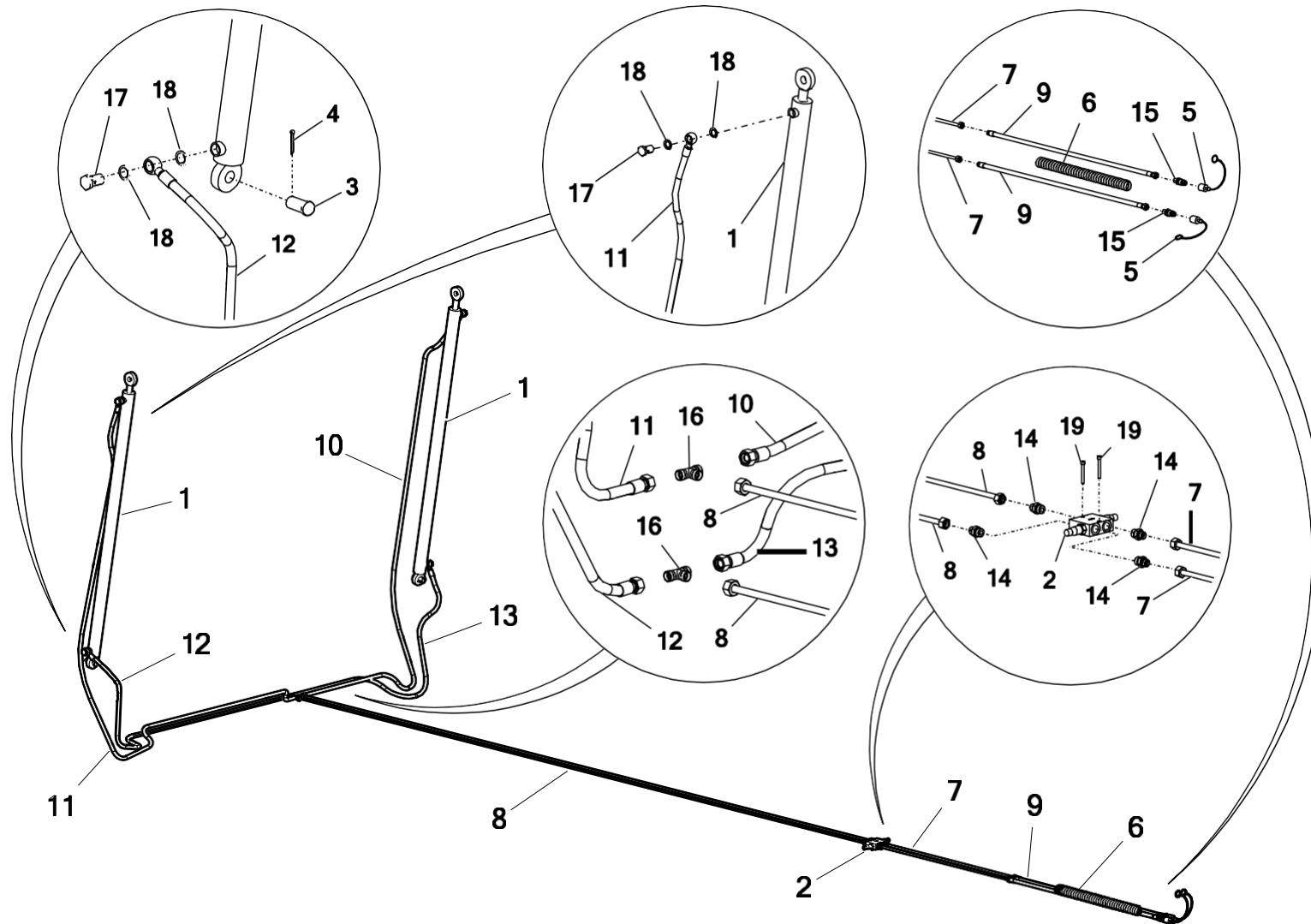
### 40. FOUR-SECTION HYDRAULIC SYSTEM - Tailgate section



No.	Part or assembly name	Fig. or index No.			
		N272/1	Volume	N272/2	Volume
1	Cylinder USJ2F-50/28/1300*L-1477	POD-HSL-000023-1	2	POD-HSL-000023-1	2
2	Cross over relief valve VBDC3802 210b - VAU 1/2cal	24ZP	1	24ZP	1
3	Tailgate bolt N272-3 04.03.02	N272-3 04.03.02	2	N272-3 04.03.02	2
4	Cotter pin 5 x 40	POD-ELZ-000994	2	POD-ELZ-000994	2
5	EURO quick-coupling attachment 13 (green, yellow, blue, red)	24ZWNE13	2	24ZWNE13	2
6	Spiral guard HG-32/int. diameter 28/ (25-32)	POD-HPZ-000042-1	14 m	POD-HPZ-000042-1	14 m
7	Cylinder bottom pipe I ø12 N272 03.20.01 L-950	POD-HPR-000628	2	POD-HPR-000628	2
8	Cylinder bottom pipe II ø12 N272 03.20.01 L-3900		2		2
9	Hydraulic hose BA/211/10 L-3000		2		2
10	Hydraulic hose ARNM/21_/10 L-1900		1		1
11	Hydraulic hose AA90/211/10 L-2150		1		1
12	Hydraulic hose ARNM/21_/10 L-2350		1		1
13	Hydraulic hose ARNM/21_/10 L-1750		1		1

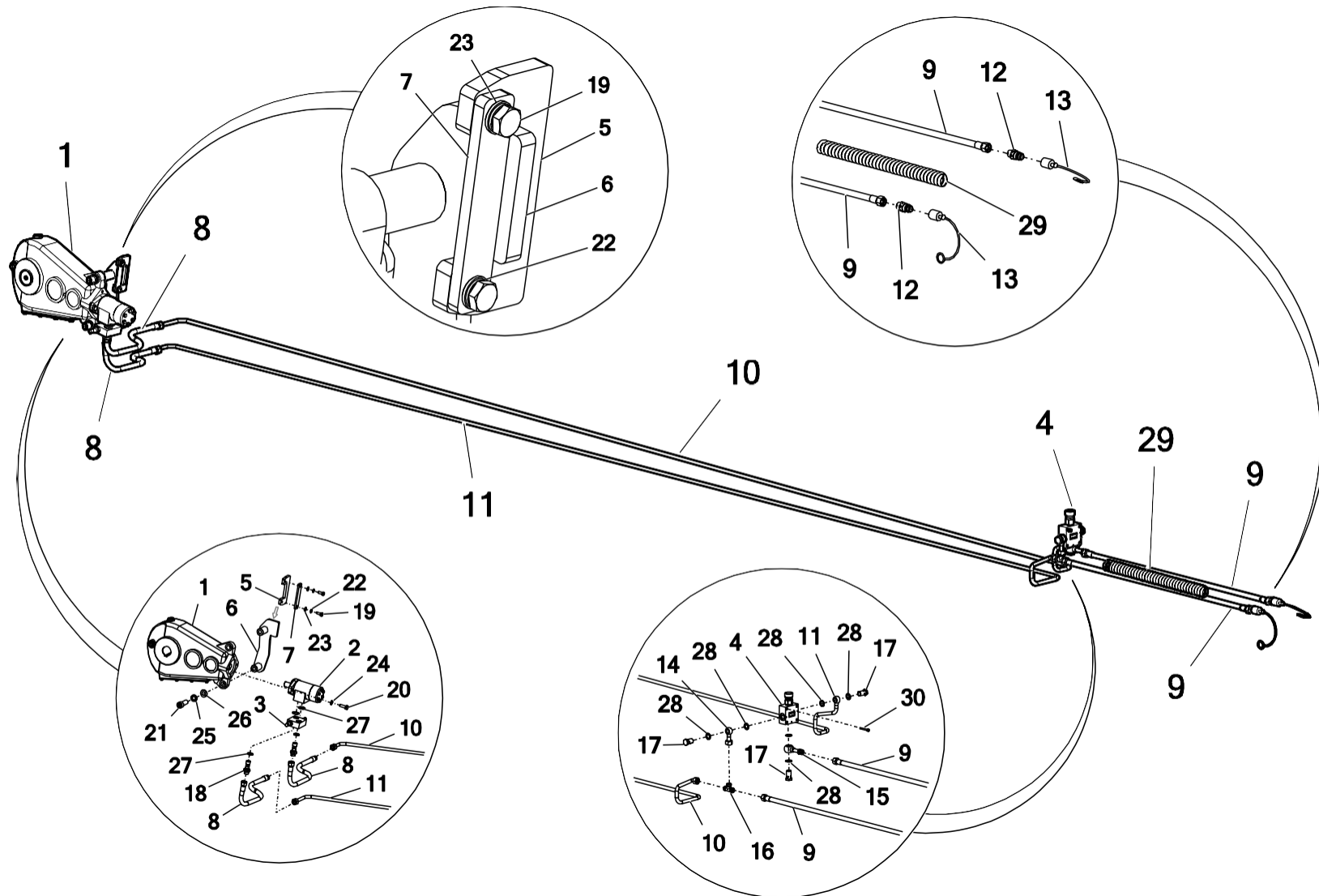


### 40. FOUR-SECTION HYDRAULIC SYSTEM - Tailgate section



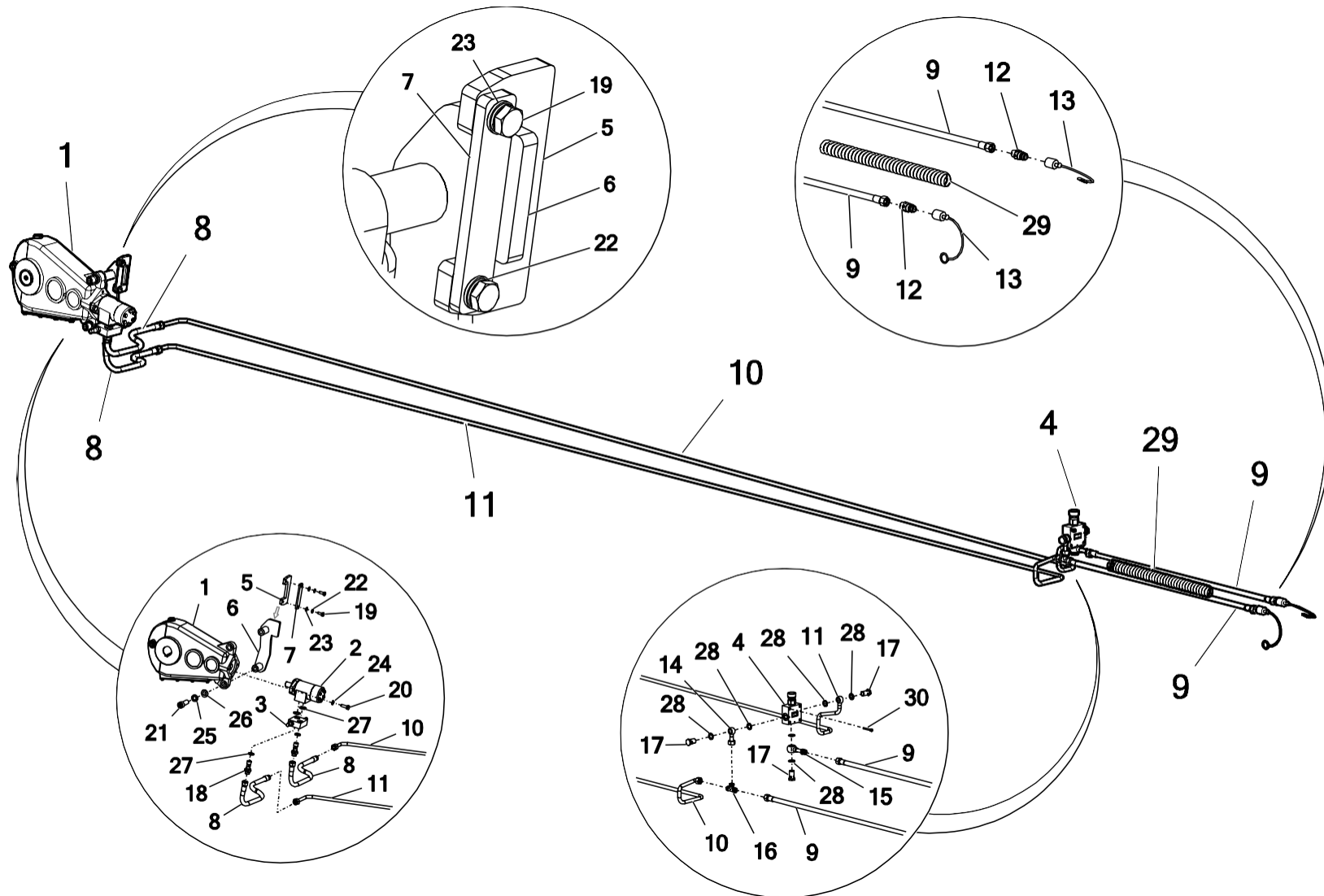
No.	Part or assembly name	Fig. or index No.			
		N272/1	Volume	N272/2	Volume
14	Straight connection 1/2 edx18-1.5	24KP1/2 18	4	24KP1/2 18	4
15	Euro valve-plug M18 x 1.5	24ZWE13-M18x1.5	2	24ZWE13-M18x1.5	2
16	T-connector 18 x 18 x 18 12 L	24KT18/18/18	2	24KT18/18/18	2
17	Eye bolt 1/2" 20 L36	24SO1/2"	4	24SO1/2"	4
18	Metal & rubber washer PPM22 30 x 22	24UPPM22	4	24UPPM22	4
19	Allen bolt 6 x 50 galv. 8.8 82302	POD-ELZ-000752	2	POD-ELZ-000752	2

### 41. FOUR-SECTION HYDRAULIC SYSTEM - Floor conveyor section



No.	Part or assembly name	Fig. or index No.			
		N272/1	Volume	N272/2	Volume
1	Gearbox PRK-550-01.AAB.R1 - side (N272/3)	POD-WPS-000153	1	POD-WPS-000153	1
2	OMR 160 (BMR) hydraulic motor	POD-HSL-000003-1	1	POD-HSL-000003-1	1
3	Valve block VAU OM 1-2 WSC - 100/100 bar	POD-HZW-000099	1	POD-HZW-000099	1
4	POD-HZW-000113	POD-HZW-000113	1	POD-HZW-000113	1
5*	Gearbox interlock TAURUS	N272 03.01.144	1	N272 03.01.144	1
6	Side gearbox mounting, complete	N272-3 03.39.00	1	N272-3 03.39.00	1
7	Gearbox mounting protection N272-3 03.00.11	N272-3 03.00.11	1	N272-3 03.00.11	1
8	Hydraulic hose AB/233/13 L-700	POD-HPR-000628	2	POD-HPR-000628	2
9	Hydraulic hose AA/233/13 L-3000		2		2
10	Conveyor steel pipe N272 11.00.02		1		1
11	Conveyor steel pipe N272 11.00.01		1		1
12	Euro valve-plug 13 M22 x 1.5	24WE13	2	24WE13	2
13	Cap for EURO valve-plug 13 (green, yellow, blue, red)	24ZWNE13	2	24ZWNE13	2
14	Loop 1-2 + pipe ø15 L=50 + ring ø15 + nut M22	POD-HPR-000628	1	POD-HPR-000628	1
15	Loop 3-4 + connector M22 x 1.5		1		1
16	T-connector 22 x 22 x 22 15 L	POD-HKR-000007-1	1	POD-HKR-000007-1	1
17	Eye bolt 1/2" 20 L36	24SO1/2"	3	24SO1/2"	3

### 41. FOUR-SECTION HYDRAULIC SYSTEM - Floor conveyor section

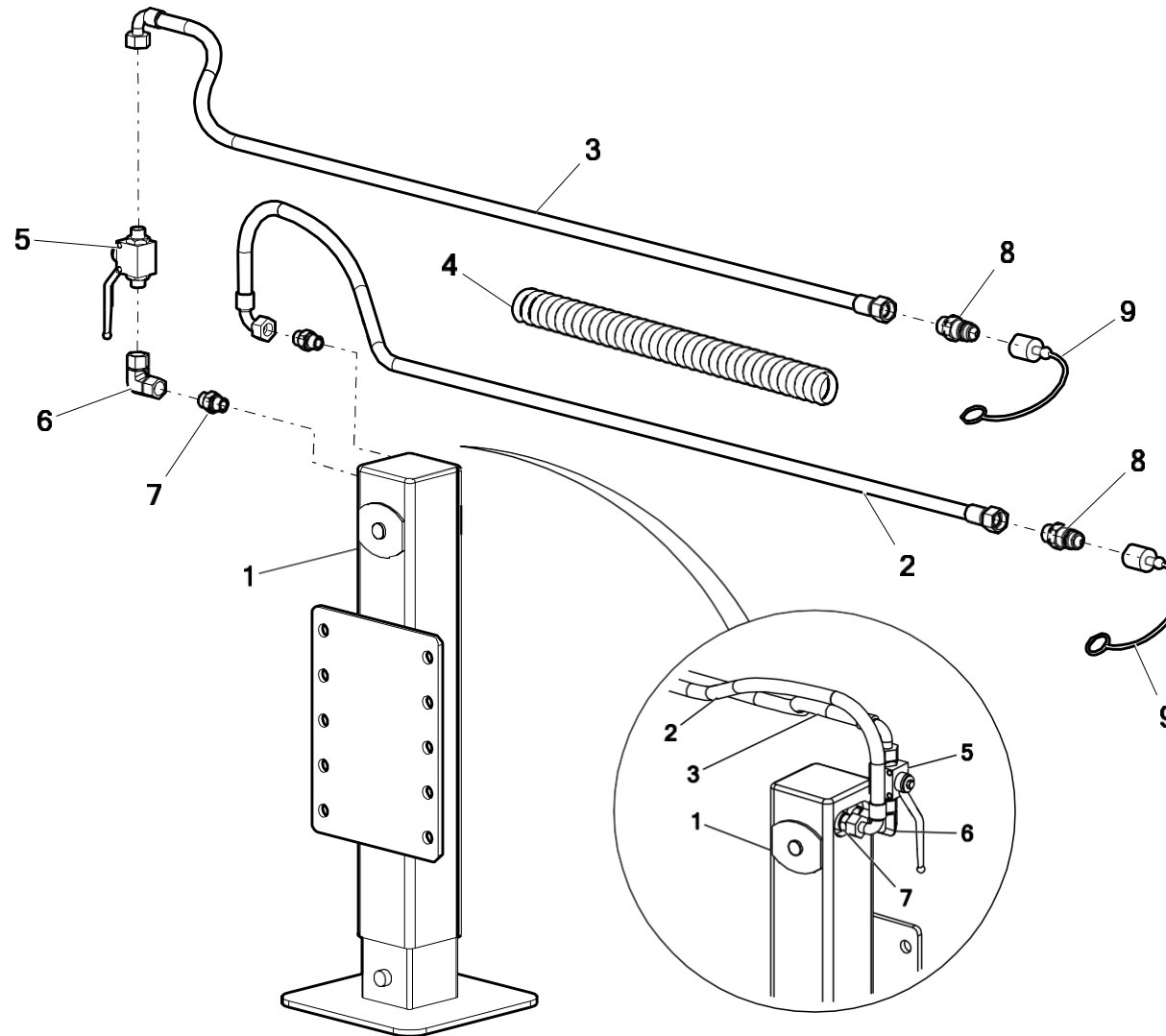


No.	Part or assembly name	Fig. or index No.			
		N272/1	Volume	N272/2	Volume
18	Hydraulic connecting bolt for the motor M22 x 1.5	POD-HZW-000099	2	POD-HZW-000099	2
19	Bolt 10 x 25 galv. 8.8 82105 82105	23S10/25OC 8.8	2	23S10/25OC 8.8	2
20	Bolt 12 x 35 galv. 8.8 82105 82105	23S12/35OC 8.8	2	23S12/35OC 8.8	2
21	Allen bolt 20 x 60 galv. 12.9 82302	POD-ELZ-000859	2	POD-ELZ-000859	2
22	Spring washer 10.2 galv. 82008 82008	23P10SP	2	23P10SP	2
23	Round washer 30 galv. 82005 82005	23P10 82005	2	23P10 82005	2
24	Spring washer 12 galv. 82008 82008	23P12SP	2	23P12SP	2
25	Spring washer, 20.5 galv. 82008 82008	23P20SP	2	23P20SP	2
26	Round washer 20 galv. 82005 82005	23P20OOC	2	23P20OOC	2
27	Metal-rubber washer PPM 3/4" (M27)	POD-HPZ-000052	4	POD-HPZ-000052	4
28	Metal & rubber washer PPM22 30 x 22	24UPPM22	6	24UPPM22	6
29	Spiral guard HG-32/int. diameter 28/ (25-32)	POD-HPZ-000042-1	14 m	POD-HPZ-000042-1	14 m
30	Allen screw 6 x 50 black 8.8 82302 82302 8.8	23SI6/50 8.8	4	23SI6/50 8.8	4

**Key:**

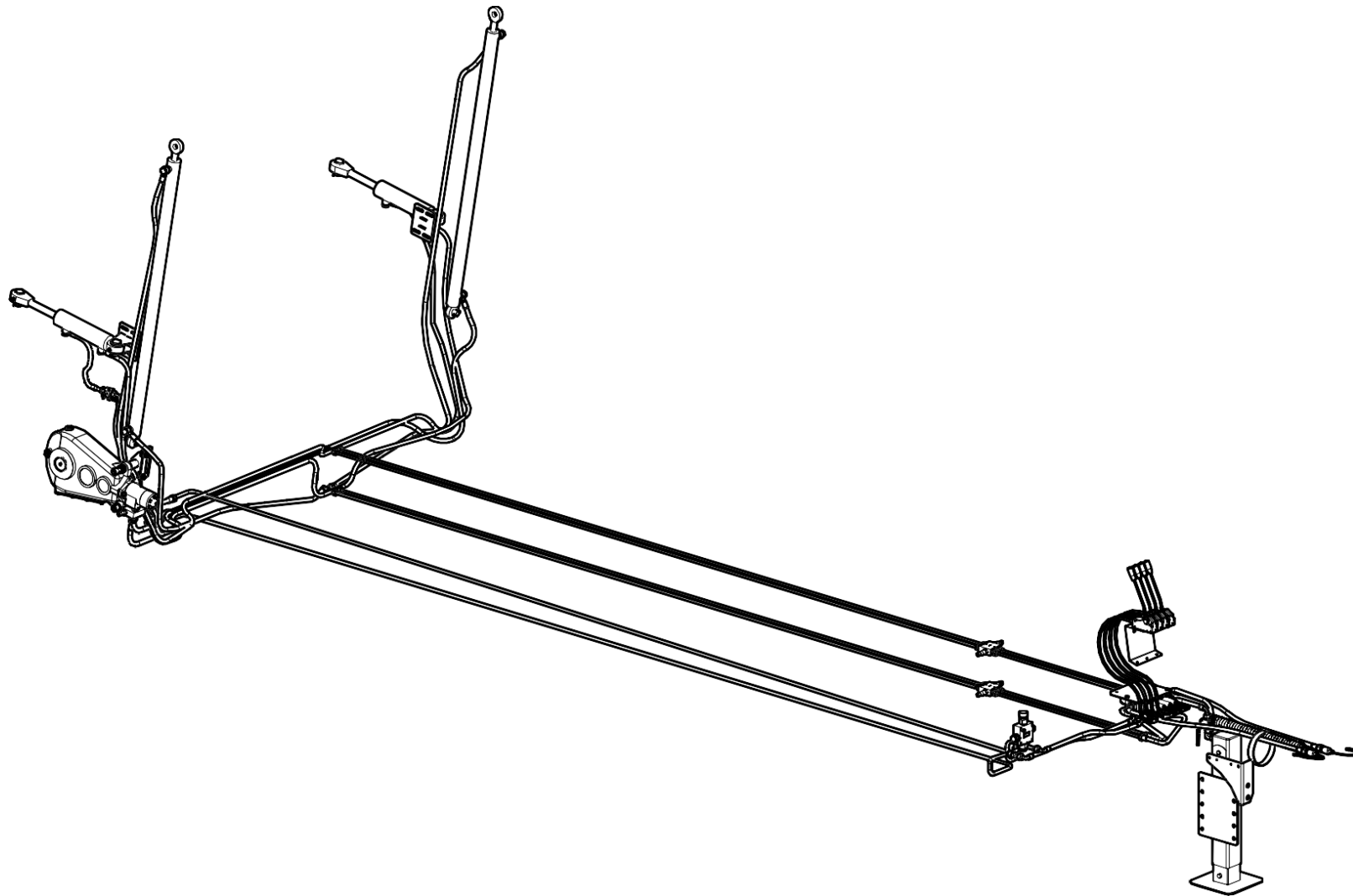
5\* - inseparable part of the body - **N272-1 03.01.00.5, N272 03.01.00**

## 42. FOUR-SECTION HYDRAULIC SYSTEM - Hydraulic foot section



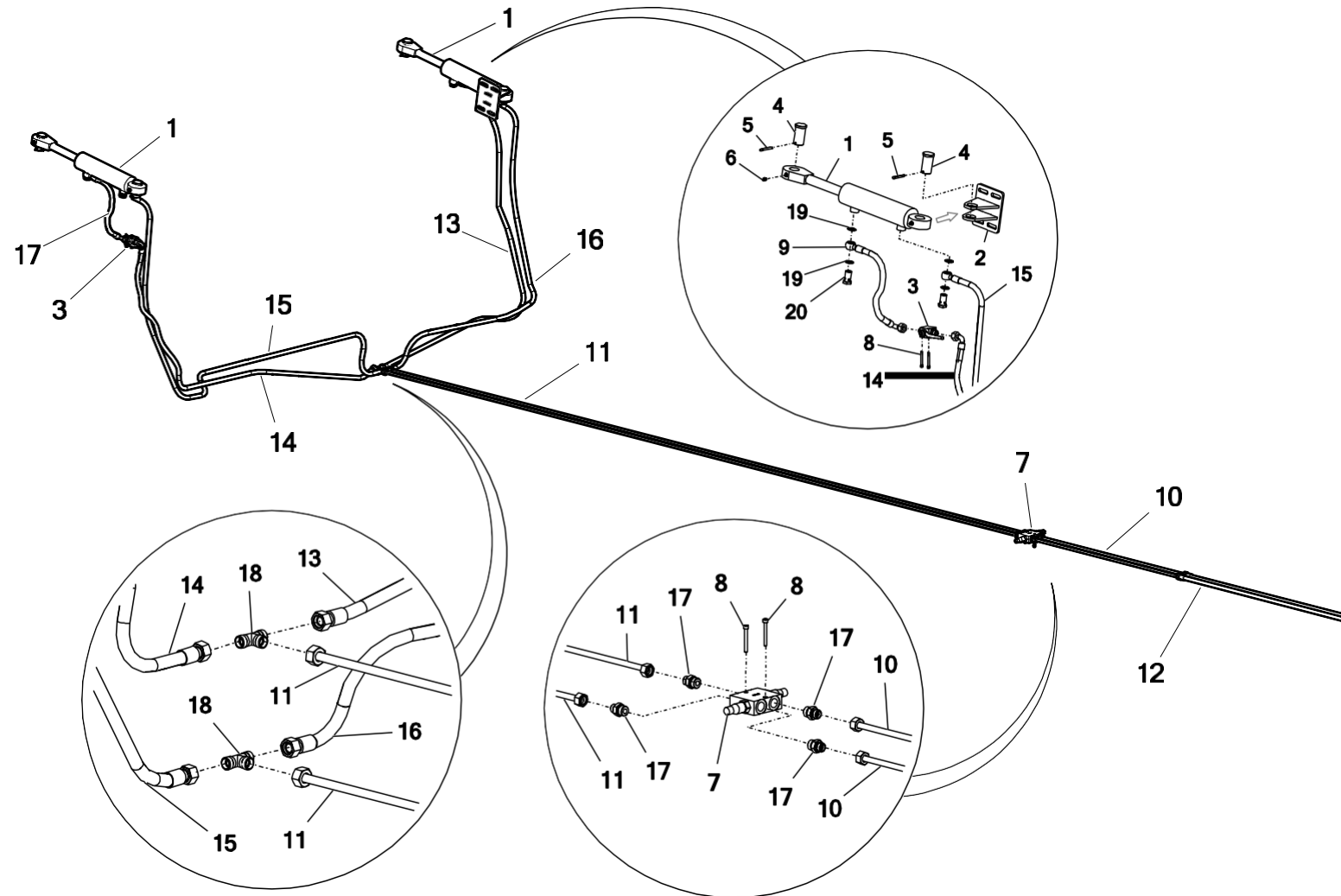
No.	Part or assembly name	Fig. or index No.			
		N272/1	Volume	N272/2	Volume
1	Support foot	N274 16.01.00	1	N274 16.01.00	1
2	Hydraulic hose A90A/214/10 L-3000	POD-HPR-0000454	1	POD-HPR-0000454	1
3	Hydraulic hose A90A/214/10 L-2900		1		1
4	Spiral guard HG-32/int. diameter 28/ (25-32)	POD-HPZ-000042-1	3.5 m	POD-HPZ-000042-1	3.5 m
5	Ball valve RS2 12L (with holes)	POD-HZW-000032	1	POD-HZW-000032	1
6	Adjustable elbow connector AA M18 x 1.5 12L	POD-HKR-000120	1	POD-HKR-000120	1
7	Straight connector 3/8 x 18-1.5 12LR	24KP3/8 18	2	24KP3/8 18	2
8	Euro valve-plug 13 M22 x 1.5	24WE13	2	24WE13	2
9	Cap for EURO valve-plug 13 (green, yellow, blue, red)	24ZWNE13	2	24ZWNE13	2



**43. FOUR-SECTION HYDRAULIC SYSTEM WITH A DISTRIBUTOR, COMPLETE**

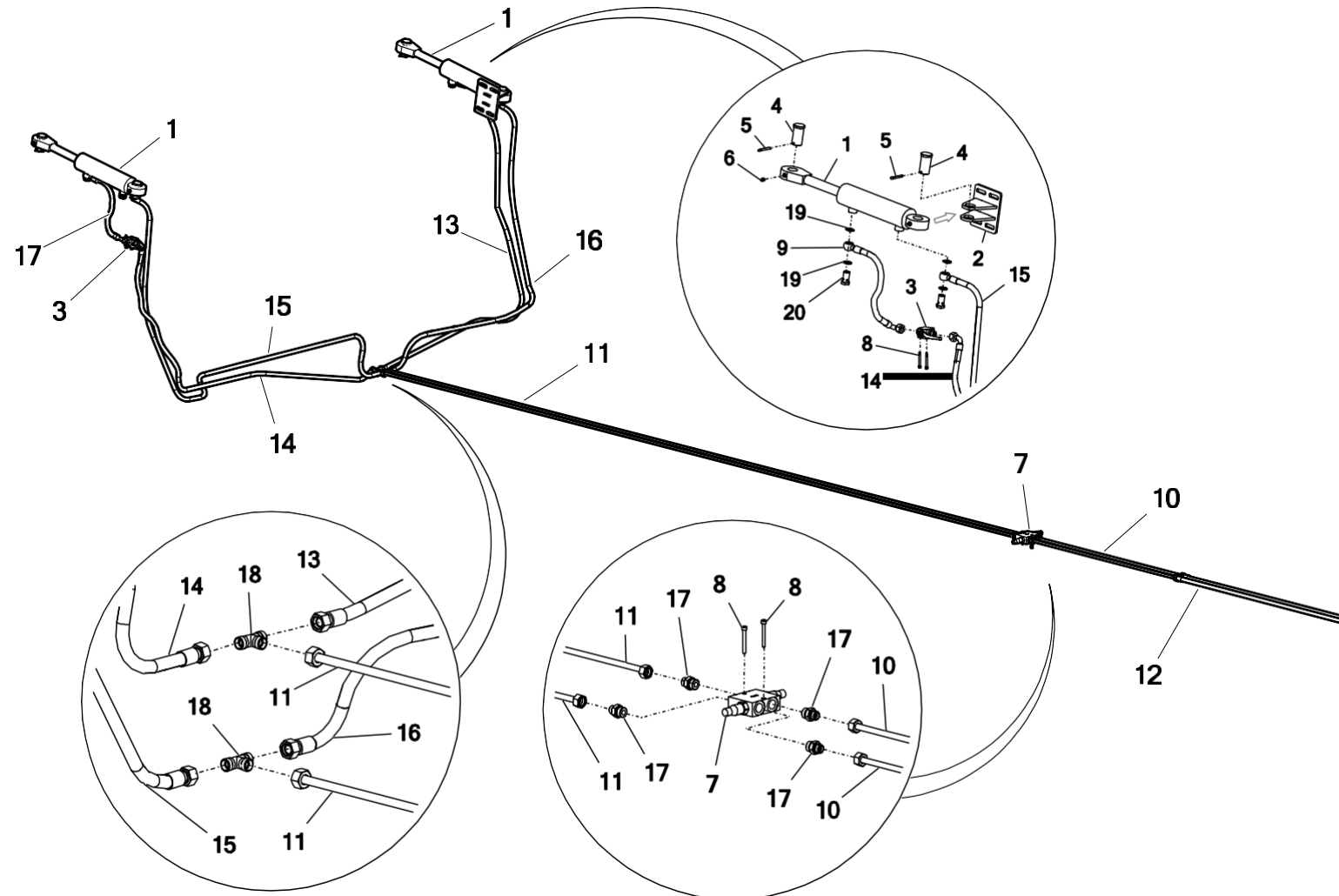


#### 44. FOUR-SECTION HYDRAULIC SYSTEM WITH A DISTRIBUTOR - Guard section of the vertical adapter



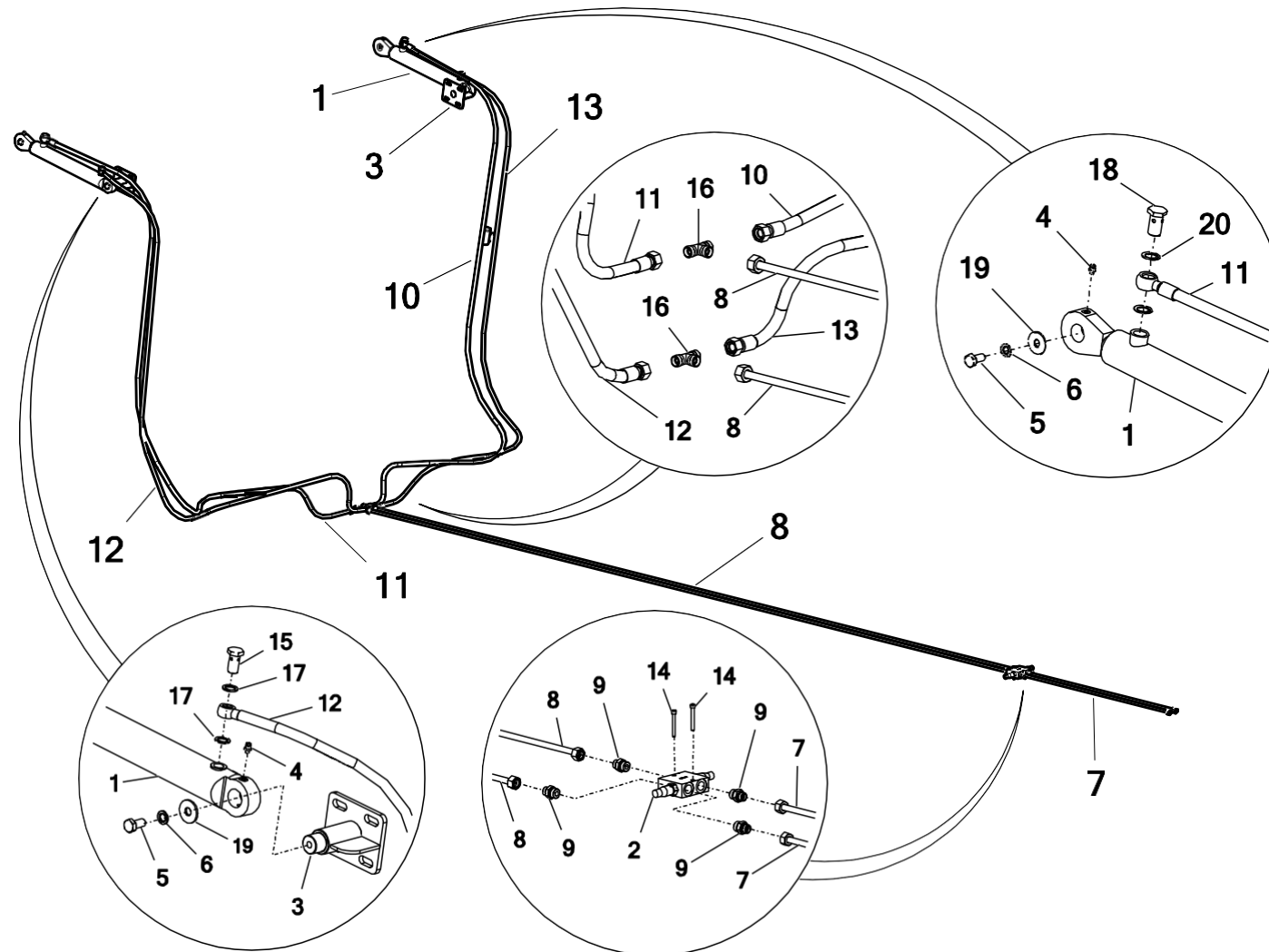
No.	Part or assembly name	Fig. or index No.			
		N272/1	Volume	N272/2	Volume
1	Actuator UCJ2FW-63/36/150z LL+UUE2s*L-432	POD-HSL-000147	2	POD-HSL-000147	2
2	Cylinder mounting N272 03.36.00.1	N272 03.36.00.1	2	N272 03.36.00.1	2
3	Ball valve RS2 12L (with holes)	POD-HZW-000032	1	POD-HZW-000032	1
4	Extension cylinder pin	N272-3 05.10.02	4	N272-3 05.10.02	4
5	POD-ELZ-000440	POD-ELZ-000440	4	POD-ELZ-000440	4
6	Lubricating nipple M6 x 1.0 straight	23SM	4	23SM	4
7	Cross over relief valve VBDC3802 210b - VAU 1/2cal	24ZP	1	24ZP	1
8	Allen bolt 6 x 50 galv. 8.8 82302	POD-ELZ-000752	2	POD-ELZ-000752	2
9	Hydraulic hose A90RNM/21_/10 L-350	POD-HPR-000828	1	POD-HPR-000628	1
10	Cylinder bottom pipe I ø12 N272 03.20.01 L-950		2		2
11	Cylinder bottom pipe II ø12 N272 03.20.02 L-3900		2		2
12	Hydraulic hose AB/233/13 L-700		2		2
13	Hydraulic hose ARNM/21_/10 L-1900		1		1
14	Hydraulic hose AA90/211/10 L-2150		1		1

#### 44. FOUR-SECTION HYDRAULIC SYSTEM WITH A DISTRIBUTOR - Guard section of the vertical adapter



No.	Part or assembly name	Fig. or index No.			
		N272/1	Volume	N272/2	Volume
15	Hydraulic hose ARNM/21_/10 L-2350	POD-HPR-000828	1	POD-HPR-000628	1
16	Hydraulic hose ARNM/21_/10 L-1750		1		1
17	Straight connection 1/2 edx18-1.5	24KP1/2 18	4	24KP1/2 18	4
18	T-connector 18 x 18 x 18 12 L	24KT18/18/18	2	24KT18/18/18	2
19	Metal & rubber washer PPM22 30 x 22	24UPPM22	4	24UPPM22	4
20	Eye bolt 1/2" 20 L36	24SO1/2"	4	24SO1/2"	4

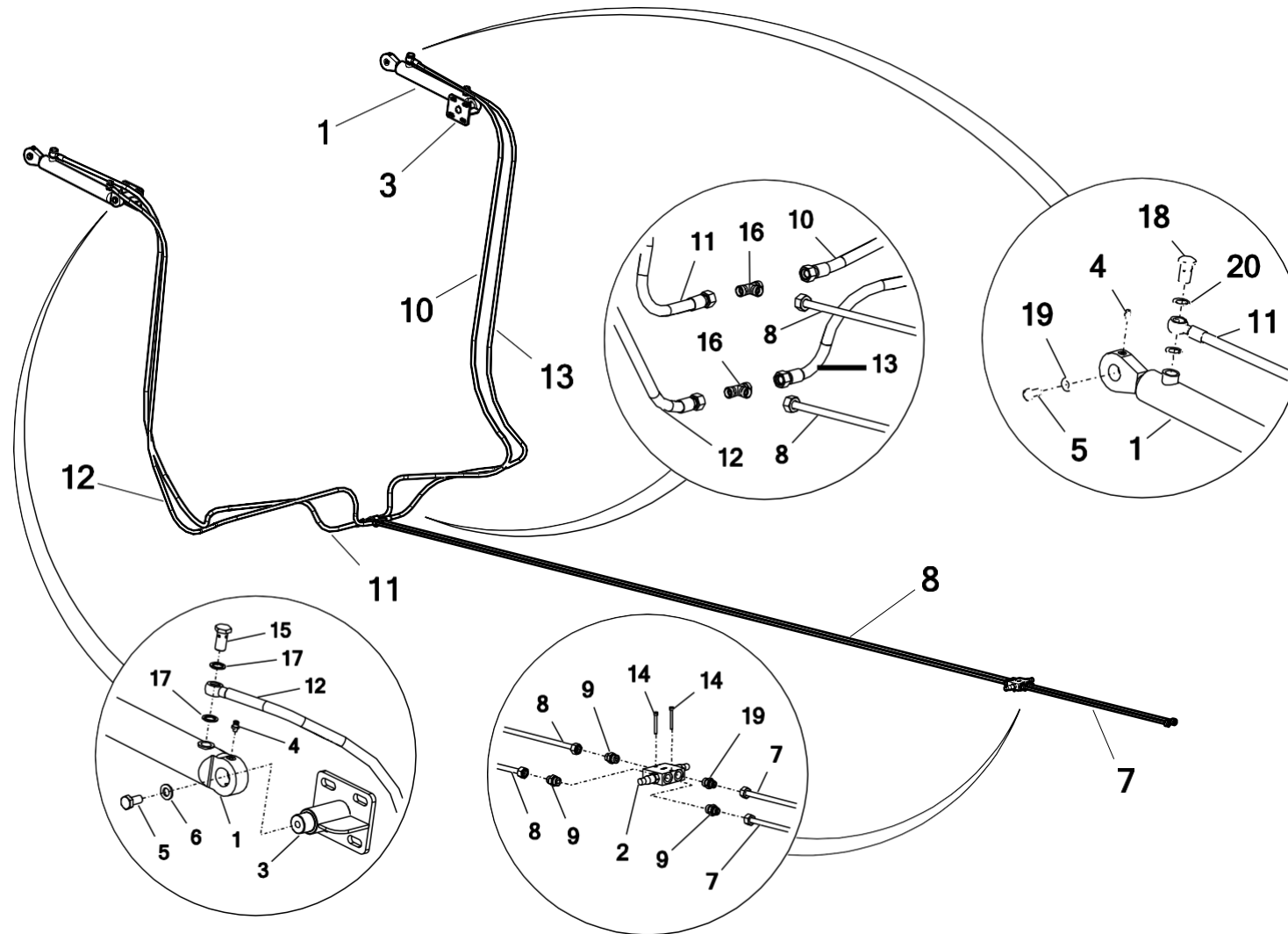
### 45. FOUR-SECTION HYDRAULIC SYSTEM WITH A DISTRIBUTOR - Guard section of the horizontal adapter



No.	Part or assembly name	Fig. or index No.			
		N272/1	Volume	N272/2	Volume
1	Cylinder 50/28/300z+U L-532	24SCJ2F-16-50/28/300	2	24SCJ2F-16-50/28/300	2
2	Cross over relief valve VBDC3802 210b - VAU 1/2cal	24ZP	1	24ZP	1
3	Mounting of the horizontal tailgate cylinder	N272 03.38.00	2	N272 03.38.00	2
4	Lubricating nipple M6 x 1.0 straight	23SM	4	23SM	4
5	Screw 12 x 25 galv. 8.8 82105 82105	23S12/25OC 8.8	4	23S12/25OC 8.8	4
6	Spring washer 12 galv. 82008 82008	23P12SP	2	23P12SP	2
7	Cylinder bottom pipe I ø12 N272 03.20.01 L-950	POD-HPR-000828	2	POD-HPR-000628	2
8	Cylinder bottom pipe II ø12 N272 03.20.02 L-3900		2		2
9	Straight connection 1/2 edx18-1.5	24KP1/2 18	4	24KP1/2 18	4
10	Hydraulic hose ARNM/21_/10 L-1900	POD-HPR-000828	1	POD-HPR-000628	1
11	Hydraulic hose AA90/211/10 L-2150		1		1
12	Hydraulic hose ARNM/21_/10 L- 2350		1		1
13	Hydraulic hose ARNM/21_/10 L- 1750		1		1
14	Allen bolt 6 x 50 galv. 8.8 82302	POD-ELZ-000752	2	POD-ELZ-000752	2

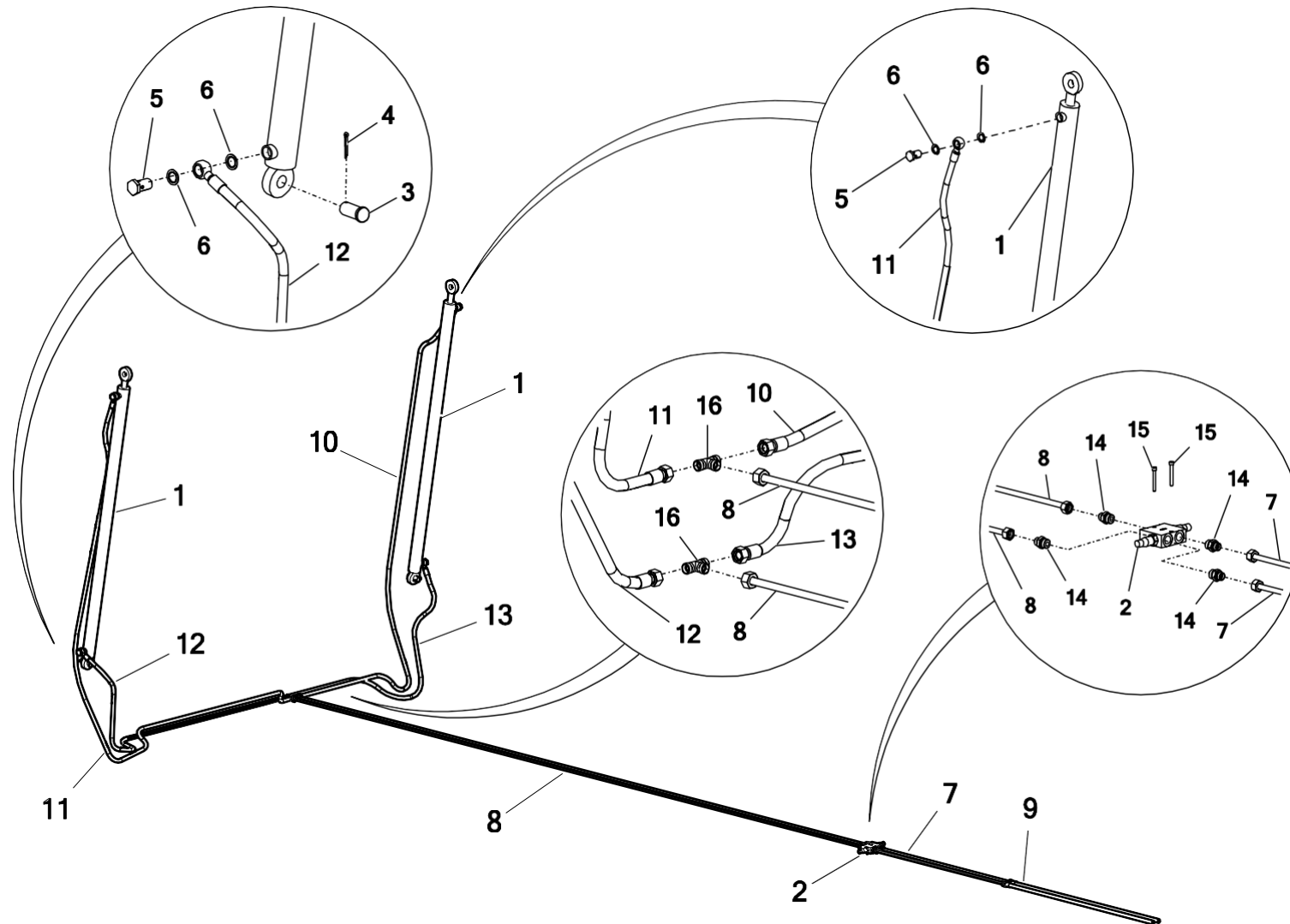


## 45. FOUR-SECTION HYDRAULIC SYSTEM WITH A DISTRIBUTOR - Guard section of the horizontal adapter



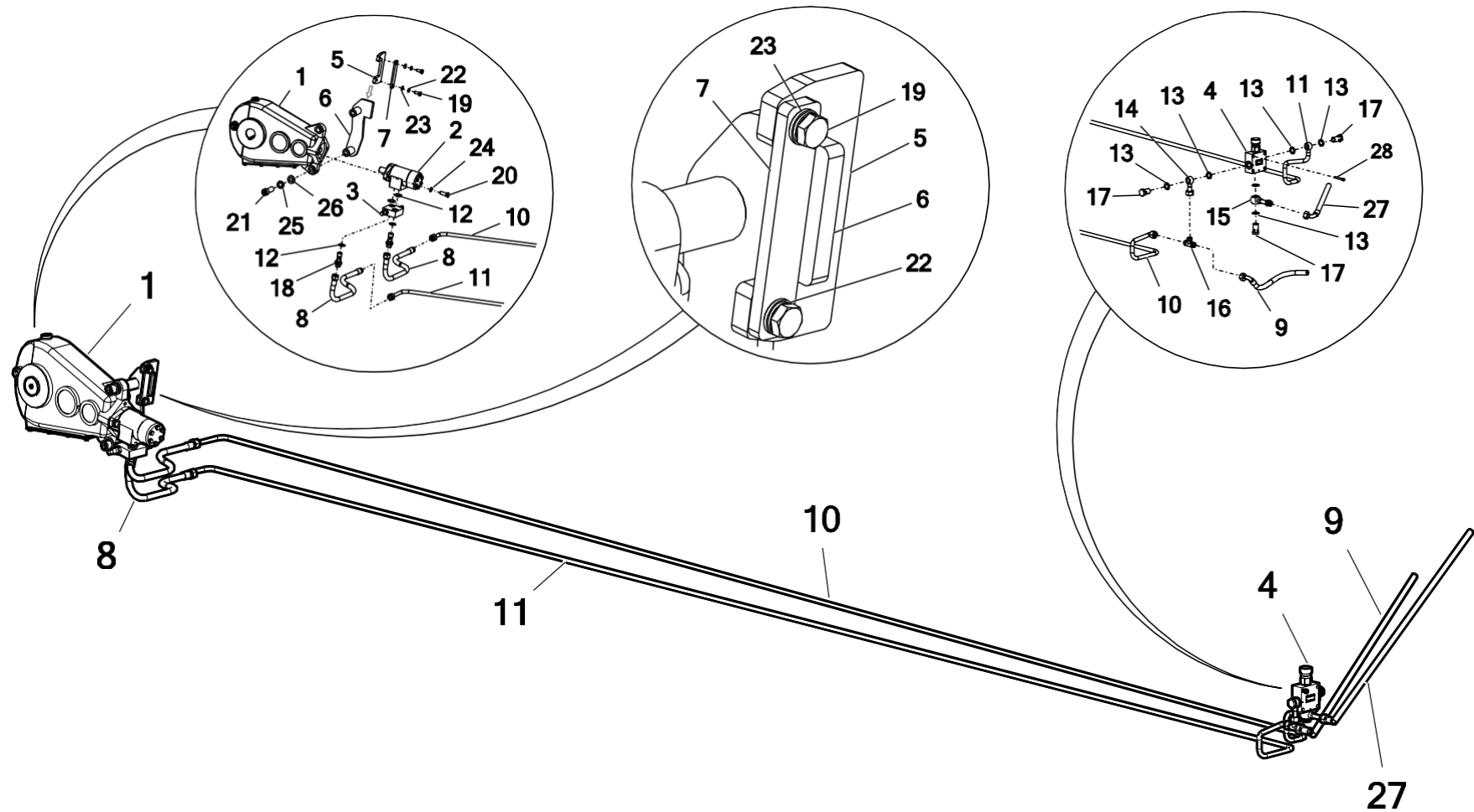
No.	Part or assembly name	Fig. or index No.			
		N272/1	Volume	N272/2	Volume
15	Eye bolt M16 x 1.5 15 L31	24SO16/1.5	2	24SO16/1.5	2
16	T-connector 18 x 18 x 18 12 L	24KT18/18/18	2	24KT18/18/18	2
17	Metal-rubber washer PPM 16 24 x 16	24UPPM16	4	24UPPM16	4
18	Eye bolt 1/2" 20 L36	24SO1/2"	2	24SO1/2"	2
19	Washer, round 12 galv. coat. 82030	23P12OOC	2	23P12OOC	2
20	Metal & rubber washer PPM22 30 x 22	24UPPM22	4	24UPPM22	4

### 46. FOUR-SECTION HYDRAULIC SYSTEM WITH A DISTRIBUTOR - Tailgate section



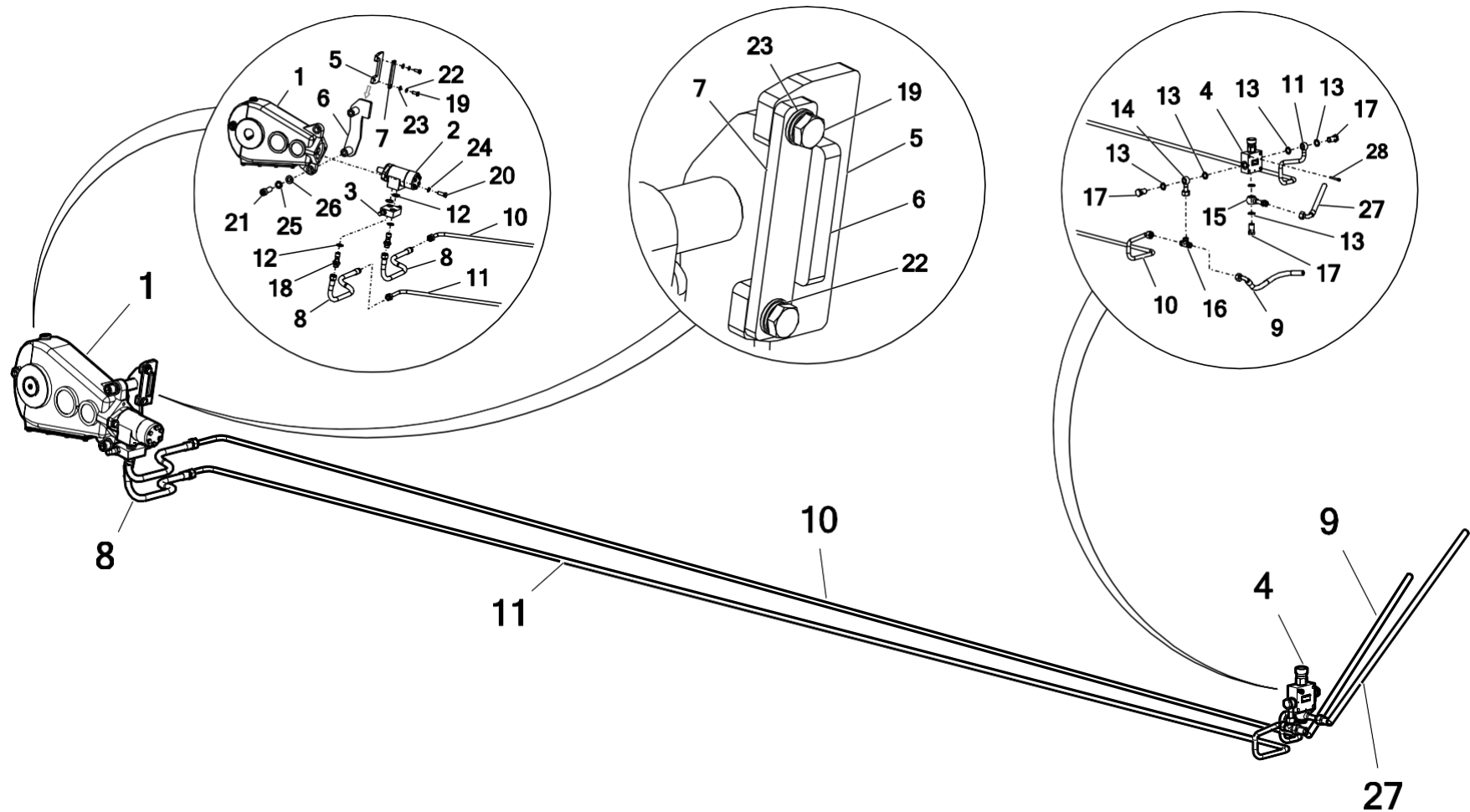
No.	Part or assembly name	Fig. or index No.			
		N272/1	Volume	N272/2	Volume
1	Cylinder USJ2F-50/28/1300*L-1477	POD-HSL-000023-1	2	POD-HSL-000023-1	2
2	Cross over relief valve VBDC3802 210b -VAU 1/2cal	24ZP	1	24ZP	1
3	Tailgate bolt N272-3 04.03.02	N272-3 04.03.02	2	N272-3 04.03.02	2
4	Cotter pin 5 x 40	POD-ELZ-000994	2	POD-ELZ-000994	2
5	Eye bolt 1/2" 20 L36	24SO1/2"	4	24SO1/2"	4
6	Metal & rubber washer PPM22 30 x 22	24UPPM22	4	24UPPM22	4
7	Cylinder bottom pipe I ø12 N272 03.20.01 L-950	POD-HPR-000828	2	POD-HPR-000628	2
8	Cylinder bottom pipe II ø12 N272 03.20.02 L-3900		2		2
9	Hydraulic hose AB/233/13 L-700		2		2
10	Hydraulic hose ARNM/21_/10 L-1900		1		1
11	Hydraulic hose AA90/211/10 L-2150		1		1
12	Hydraulic hose ARNM/21_/10 L-2350		1		1
13	Hydraulic hose ARNM/21_/10 L-1750		1		1
14	Straight connection 1/2 edx18-1.5	24KP1/2 18	4	24KP1/2 18	4
15	Allen bolt 6 x 50 galv. 8.8 82302	POD-ELZ-000752	2	POD-ELZ-000752	2
16	T-connector 18 x 18 x 18 12 L	24KT18/18/18	2	24KT18/18/18	2

### 47. FOUR-SECTION HYDRAULIC SYSTEM WITH A DISTRIBUTOR - Floor conveyor section



No.	Part or assembly name	Fig. or index No.			
		N272/1	Volume	N272/2	Volume
1	Gearbox PRK-550-01.AAB.R1 - side (N272/3)	POD-WPS-000153	1	POD-WPS-000153	1
2	OMR 160 (BMR) hydraulic motor	POD-HSL-000003-1	1	POD-HSL-000003-1	1
3	Valve block VAU OM 1-2 WSC - 100/100 bar	POD-HZW-000099	1	POD-HZW-000099	1
4	POD-HZW-000113	POD-HZW-000113	1	POD-HZW-000113	1
5*	Gearbox interlock TAURUS	N272 03.01.144	1	N272 03.01.144	1
6	Side gearbox mounting, complete	N272-3 03.39.00	1	N272-3 03.39.00	1
7	Gearbox mounting protection N272-3 03.00.11	N272-3 03.00.11	1	N272-3 03.00.11	1
8	Hydraulic hose AB/233/13 L-700	POD-HPR-000828	2	POD-HPR-000628	2
9	Hydraulic hose A90A90/233/13 L-650 K270		1		1
10	Conveyor steel pipe N272 11.00.02		1		1
11	Conveyor steel pipe N272 11.00.01		1		1
12	Metal-rubber washer PPM 3/4" (M27)	POD-HPZ-000052	4	POD-HPZ-000052	4
13	Metal & rubber washer PPM22 30 x 22	24UPPM22	6	24UPPM22	6
14	Loop 1-2 + pipe $\varnothing$ 15 L=50 + ring $\varnothing$ 15 + nut M22	POD-HPR-000628	1	POD-HPR-000628	1
15	Loop 3-4 + connector M22 x 1.5		1		1

### 47. FOUR-SECTION HYDRAULIC SYSTEM WITH A DISTRIBUTOR - Floor conveyor section



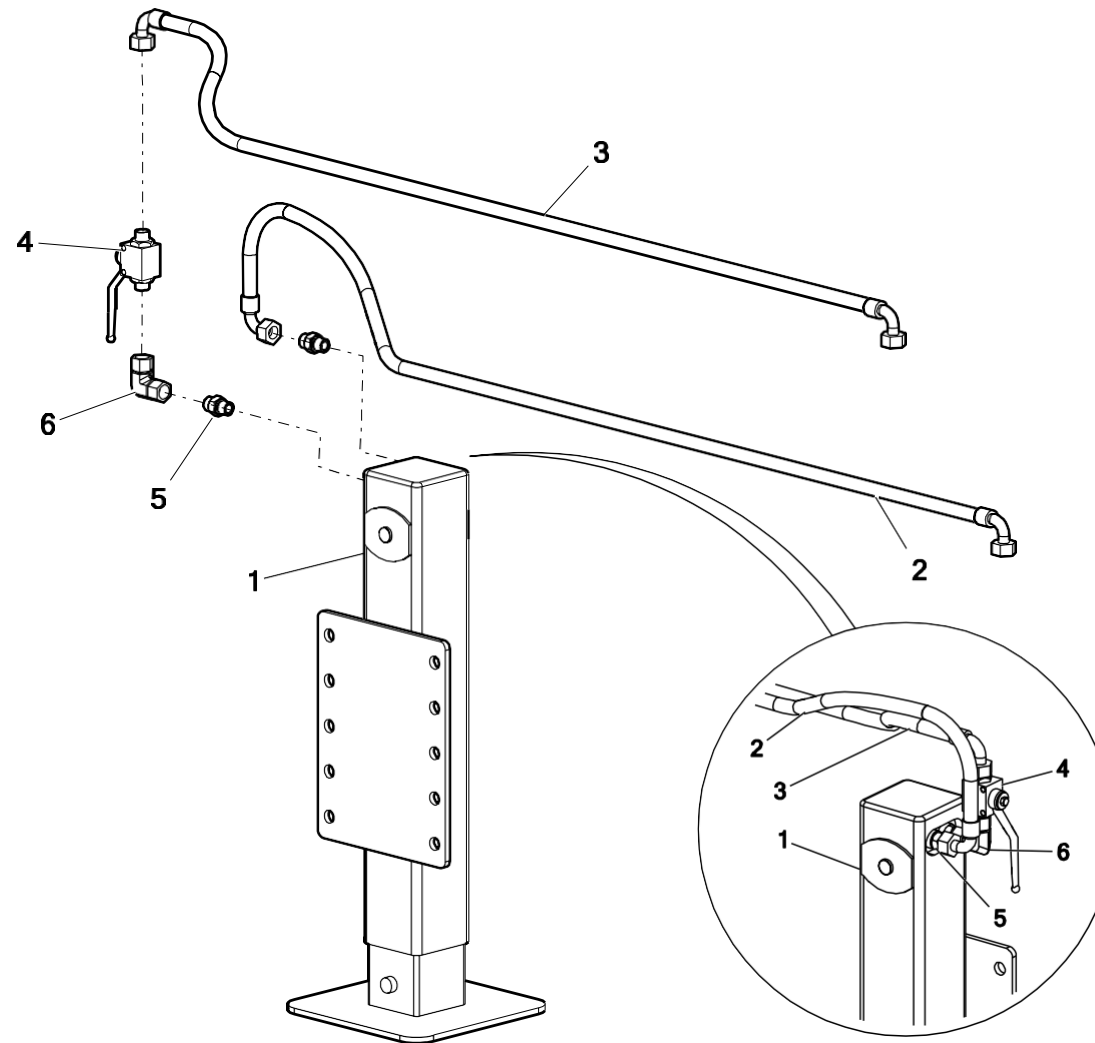
No.	Part or assembly name	Fig. or index No.			
		N272/1	Volume	N272/2	Volume
16	T-connector 22 x 22 x 22 15 L	POD-HKR-000007-1	1	POD-HKR-000007-1	1
17	Eye bolt 1/2" 20 L36	24SO1/2"	3	24SO1/2"	3
18	Hydraulic connecting bolt for the motor M22 x 1.5	POD-HZW-000099	2	POD-HZW-000099	2
19	Bolt 10 x 25 galv. 8.8 82105 82105	23S10/25OC 8.8	2	23S10/25OC 8.8	2
20	Bolt 12 x 35 galv. 8.8 82105 82105	23S12/35OC 8.8	2	23S12/35OC 8.8	2
21	Allen bolt 20 x 60 galv. 12.9 82302	POD-ELZ-000859	2	POD-ELZ-000859	2
22	Spring washer 10.2 galv. 82008 82008	23P10SP	2	23P10SP	2
23	Round washer 30 galv. 82005 82005	23P10 82005	2	23P10 82005	2
24	Spring washer 12 galv. 82008 82008	23P12SP	2	23P12SP	2
25	Spring washer, 20.5 galv. 82008 82008	23P20SP	2	23P20SP	2
26	Round washer 20 galv. 82005 82005	23P20OOC	2	23P20OOC	2
27	Hydraulic hose A90A90/233/13 L-600 K270	POD-HPR-000828	1	POD-HPR-000828	1
28	Allen bolt 6 x 50 black, 8.8 82302 82302 8.8	23SI6/50 8.8	4	23SI6/50 8.8	4

**Key:**

5\* - inseparable part of the body - **N272-1 03.01.00.5, N272 03.01.00**

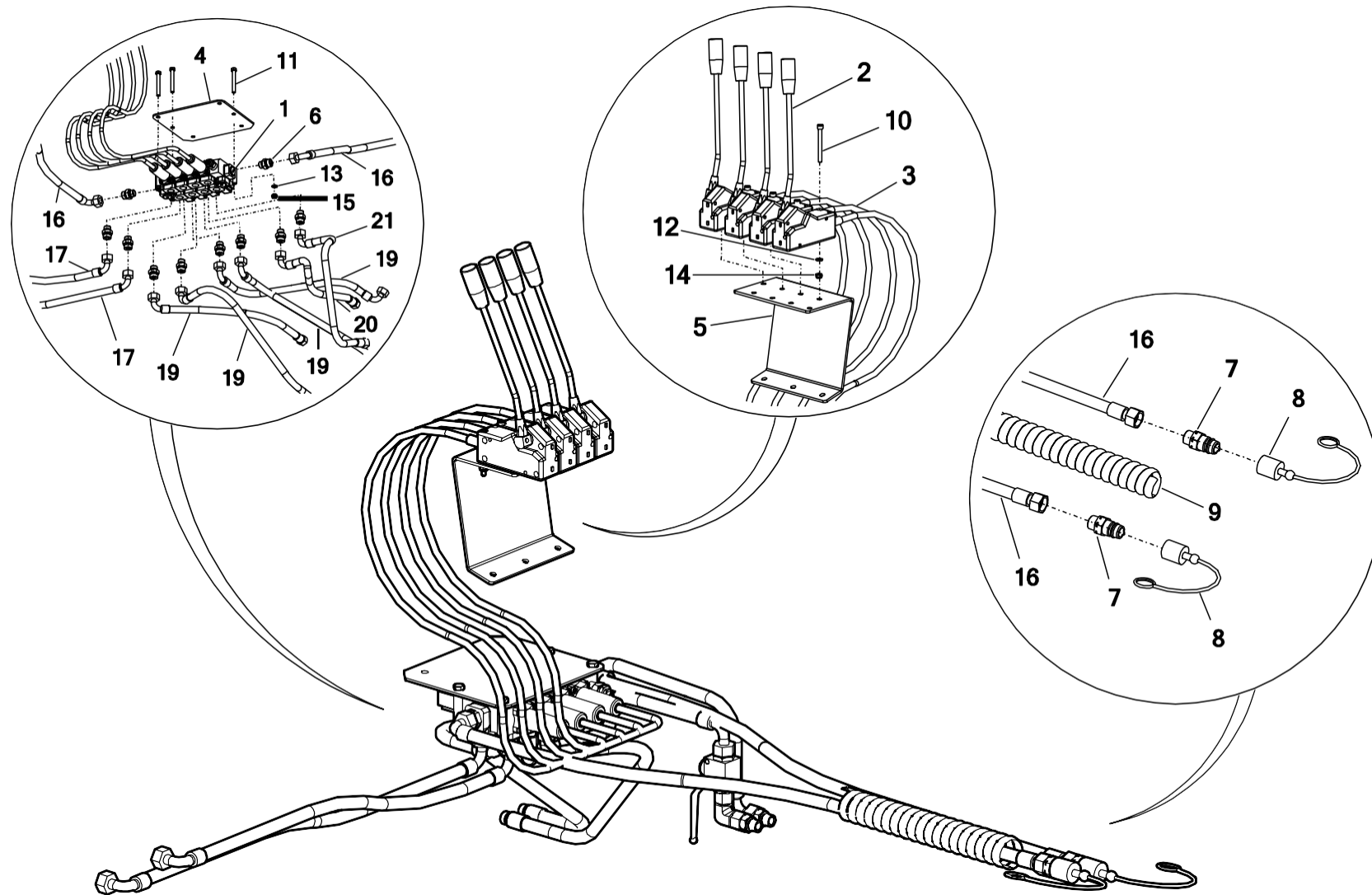


### 48. FOUR-SECTION HYDRAULIC SYSTEM WITH A DISTRIBUTOR - Support foot section



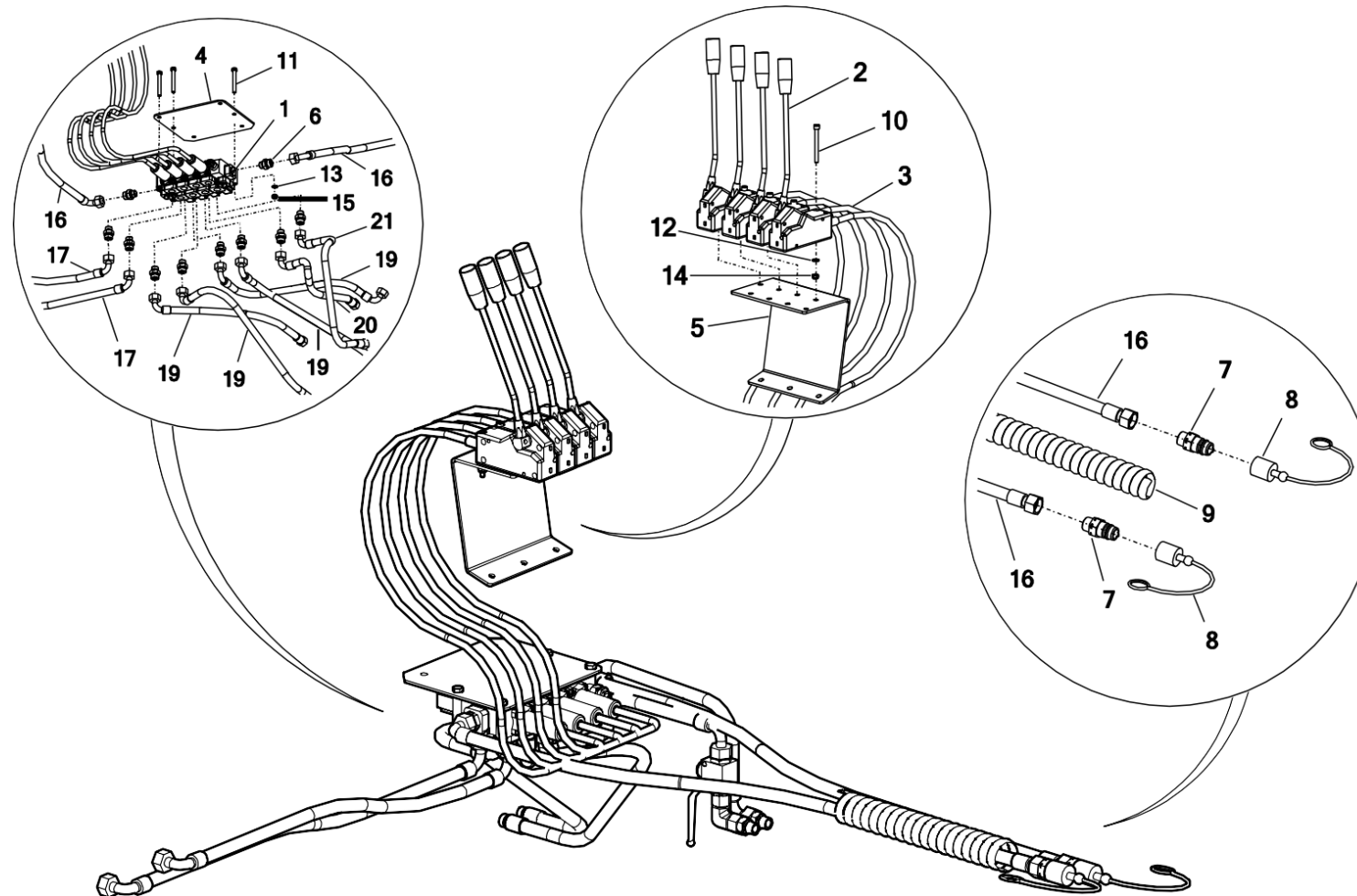
No.	Part or assembly name	Fig. or index No.			
		N272/1	Volume	N272/2	Volume
1	Support foot	N274 16.01.00	1	N274 16.01.00	1
2	Hydraulic hose A90A90/211/10 L-450 K180	POD-HPR-000828	1	POD-HPR-000828	1
3	Hydraulic hose A90A90/211/10 L-550		1		1
4	Ball valve RS2 12L (with holes)	POD-HZW-000032	1	POD-HZW-000032	1
5	Adjustable elbow connector AA M18 x 1.5 12L	POD-HKR-000120	1	POD-HKR-000120	1
6	Straight connector 3/8 x 18-1.5 12LR	24KP3/8 18	2	24KP3/8 18	2

### 49. FOUR-SECTION HYDRAULIC SYSTEM WITH A DISTRIBUTOR - Control section



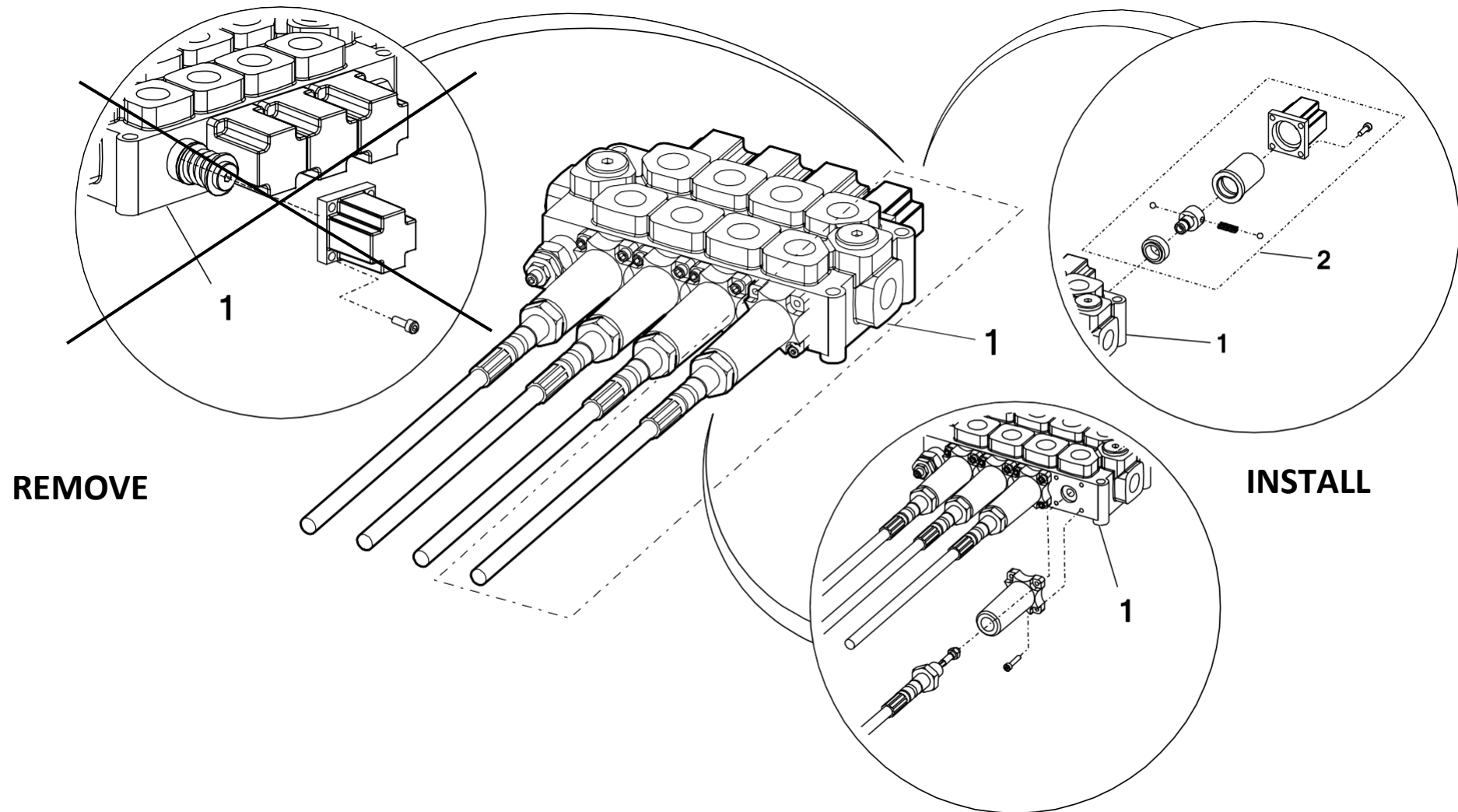
No.	Part or assembly name	Fig. or index No.			
		N272/1	Volume	N272/2	Volume
1	MD4 rope distributor Q45	24R4-SEK.	1	24R4-SEK.	1
2	Controller lever for the rope	24DZS	4	24DZS	4
3	Control wire L-3500 (fork)	POD-HPZ-000045-1	4	POD-HPZ-000045-1	4
4	Distributor support (4-section) N272 03.20.13	N272 03.20.13	1	N272 03.20.13	1
5	Distributor lever support N272 03.20.12	N272 03.20.12	1	N272 03.20.12	1
6	Straight connection 1/2 edx18-1.5	24KP1/2 18	10	24KP1/2 18	10
7	EURO valve-plug 13 M22 x 1.5	24ZWE13	2	24ZWE13	2
8	EURO quick-coupling attachment 13 (green, yellow, blue, red)	24ZWNE13	2	24ZWNE13	2
9	Spiral guard HG-32/int. diameter 28/ (25-32)	POD-HPZ-000042-1	2.5 m	POD-HPZ-000042-1	2.5 m
10	Allen bolt 6 x 60 galv. 8.8 82302	POD-ELZ-000776	8	POD-ELZ-000776	8
11	Bolt 8 x 65 galv. 8.8 82101	POD-ELZ-000527	3	POD-ELZ-000527	3
12	Round washer 6 galv. 82005 82005	23P6OOC	8	23P6OOC	8
13	Round washer 8 galv. coated 82030	23P8OC 82030	3	23P8OC 82030	3
14	Self-locking nut M6 galv. 82175 8 82175 8	23NS6OC	8	23NS6OC	8
15	Self-locking nut M8 galv. 82175 8 82175 8	23NS8OC	3	23NS8OC	3

### 49. FOUR-SECTION HYDRAULIC SYSTEM WITH A DISTRIBUTOR - Control section



No.	Part or assembly name	Fig. or index No.			
		N272/1	Volume	N272/2	Volume
16	Hydraulic hose A90A/233/13 L-2500	POD-HPR-000828	2	POD-HPR-000828	
17	Hydraulic hose A90A90/233/13 L-600 K270		1		1
18	Hydraulic hose A90A90/233/13 L-650 K270		1		1
19	Hydraulic hose A90B/211/10 L-800		4		4
20	Hydraulic hose A90A90/211/10 L-450 K180		1		1
21	Hydraulic hose A90A90/211/10 L-550		1		1

**50. FOUR-SECTION HYDRAULIC SYSTEM WITH A DISTRIBUTOR - Distributor section**



No.	Part or assembly name	Fig. or index No.			
		N272/1	Volume	N272/2	Volume
1	MD4 rope distributor Q45	24R4-SEK.	1	24R4-SEK.	1
2	Double-sided latch for the distributor Q25-30 R3	24ZDR	1	24ZDR	1



## 51. NOTES

A series of 20 horizontal dotted lines provided for taking notes.