



METAL-FACH



STUBBLE CULTIVATOR

U487

PARTS CATALOGUE

REVISION I

APRIL 2018

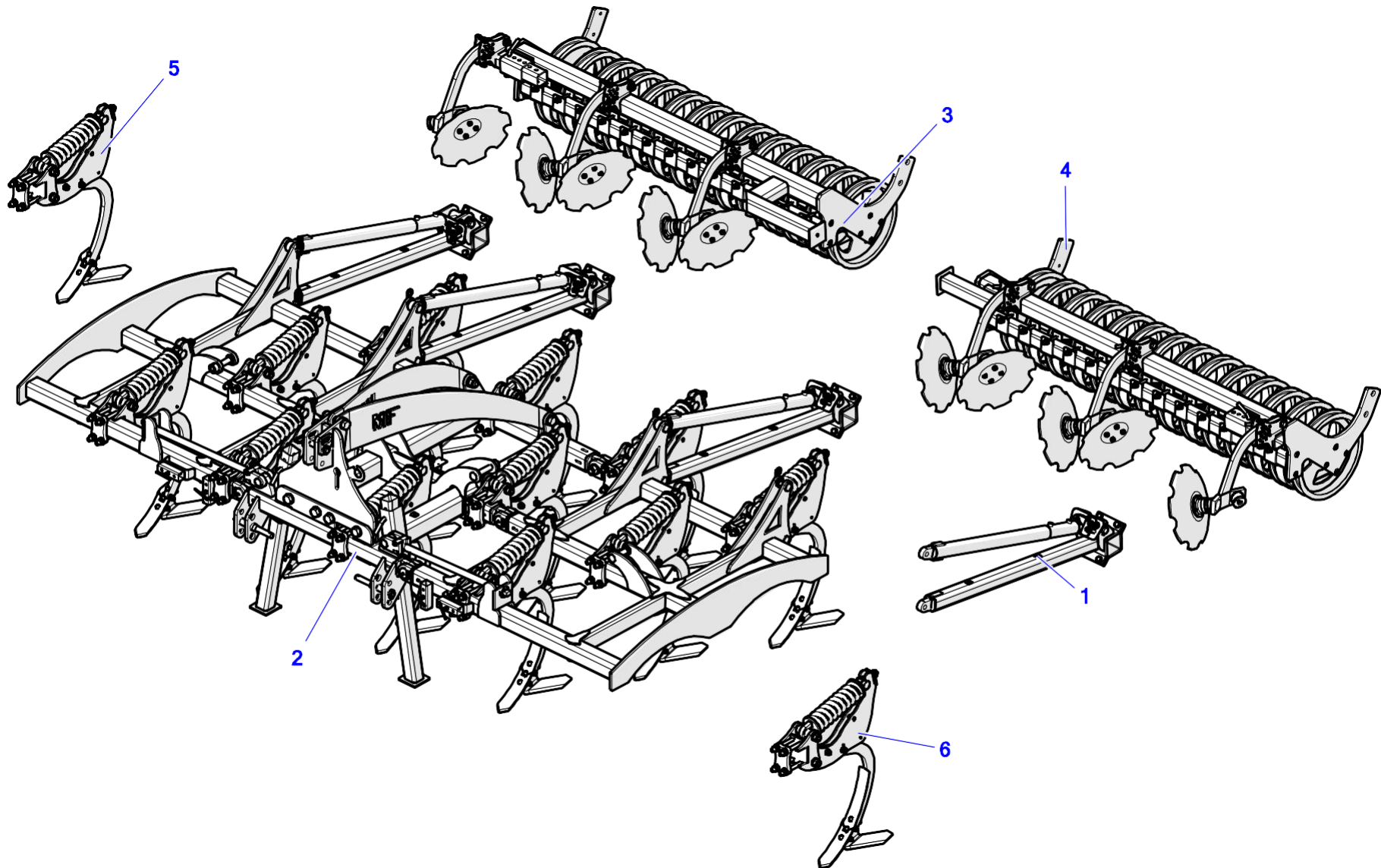


Information included in the catalogue is valid as of the date of its preparation. The manufacturer reserves its right to make design changes to machines, and due to this, some values or illustrations might not correspond to the actual state of the machine supplied to the user. The manufacturer reserves its right to make design changes without changing this catalogue.

Table of Contents

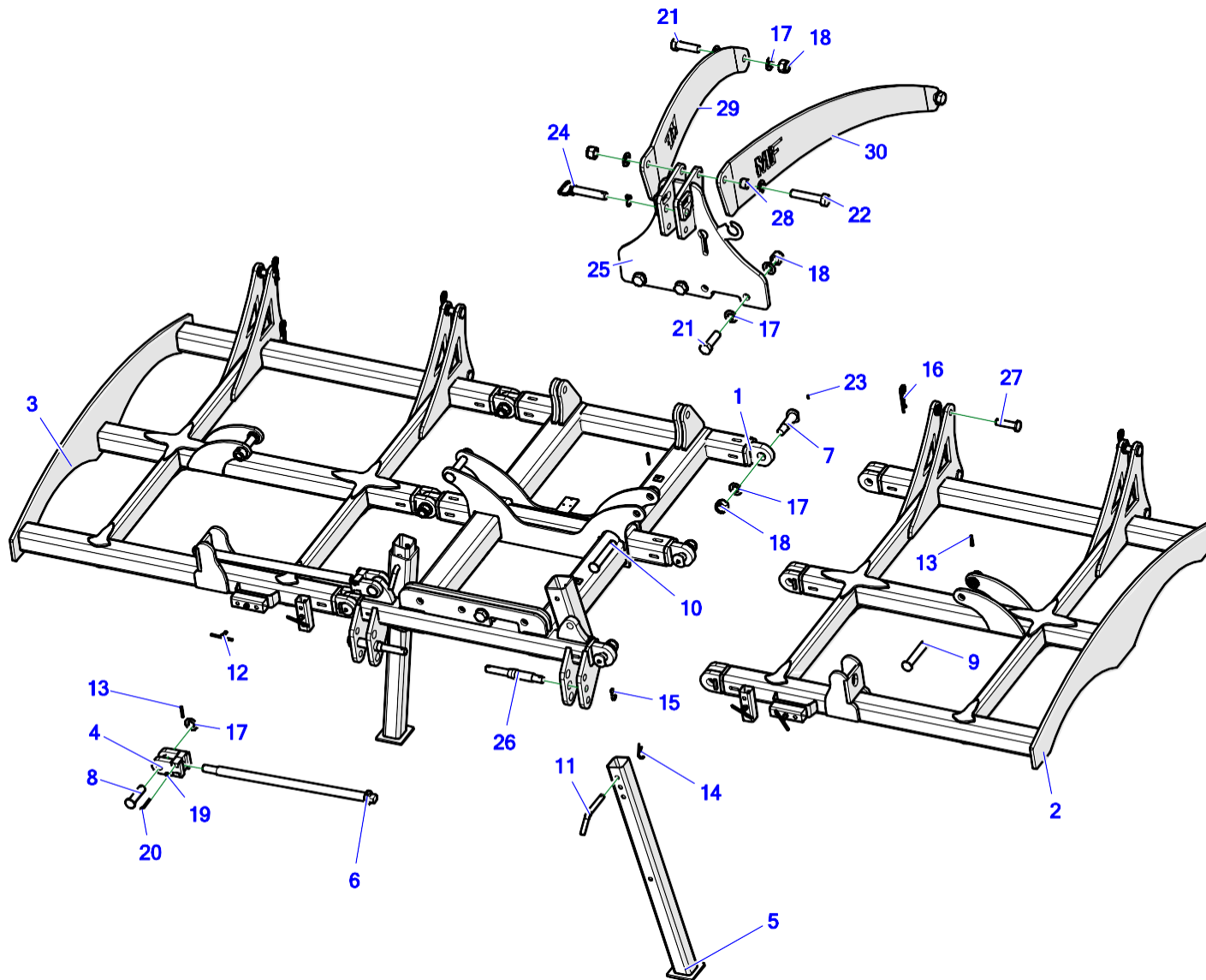
1. U487 STUBBLE CULTIVATOR	4
2. 4.2 M FOLDING FRAME OF THE CULTIVATOR	6
3. RIGHT ROLLER, COMPLETE	8
4. LEFT ROLLER, COMPLETE	10
5. LIGHTS	12
6. HYDRAULIC SYSTEM - FOLDING OF SIDE ARMS	14
7. HYDRAULIC SYSTEM - ADJUSTMENT OF THE PACKER ROLLER POSITION	16
8. RIGHT/LEFT PLOUGH STANDARD, COMPLETE	18
9. RIGHT/LEFT PLOUGH STANDARD, COMPLETE WITH BOLT PROTECTION	20
10. SHAFT MOUNTING, COMPLETE	22
NOTES	24

1. U487 STUBBLE CULTIVATOR



No.	Index	Name	Volume
1	U490 06.00.00	Shaft mounting, complete	4
2	U487 01.00.00	4.2 m folding frame of the cultivator	1
3	U487 02.00.00	Right roller of U487	1
4	U487 03.00.00	Left roller of U487, complete	1
5	U490 03.00.L0	Left-hand plough standard, complete	7
5*	U490 03.00.LS	Left-hand plough standard, complete with bolt protection	8
6	U490 03.00.P0	Right-hand plough standard, complete	6
6*	U490 03.00.PS	Right-hand plough standard, complete with bolt protection	7

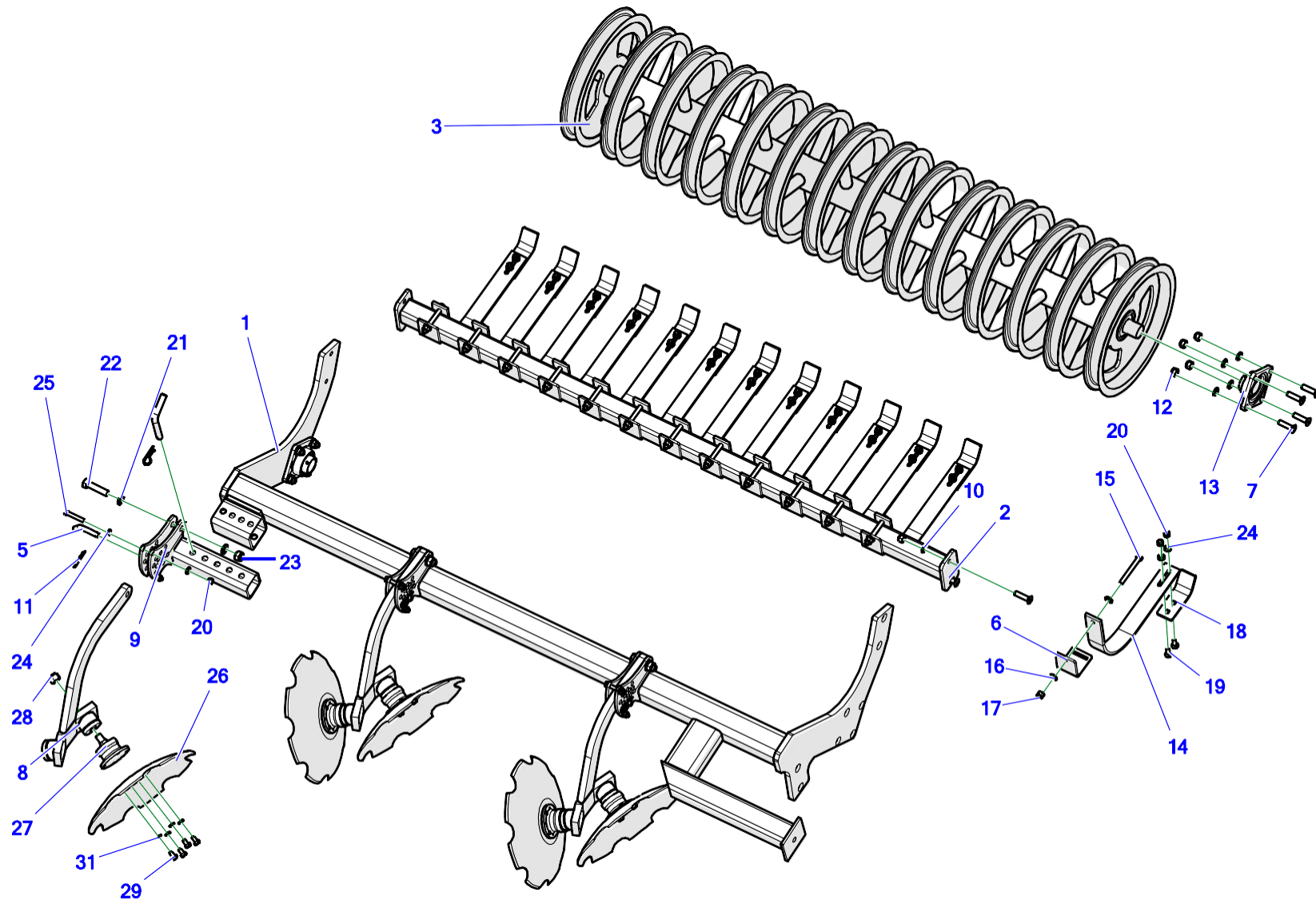
2. 4.2 M FOLDING FRAME OF THE CULTIVATOR



No.	Index	Name	Volume
1	U487 01.01.00	Three-point connector frame	1
2	U487 01.02.00	Left arm	1
3	U487 01.03.00	Right arm	1
4	U487 01.04.00	Arm adjustment	2
5	U487 01.05.00	Support	2
6	U487 01.06.00	Screw	2
7	U487 01.00.01	Arm pin	6
8	U487 01.00.02	Mounting pin for arm adjustment	2
9	U487 01.00.03	Side arm cylinder pin	2
10	U487 01.00.04	Cylinder pin	2
11	U-710 01.00.13	Pin V	2
12	U910 01.09.00	Set screw	4
13	23K8/50	Spring pin 8 x 50 DIN 1481	6
14	23ZRFI4	Elastic single cotter pin 4 (R-letter shaped, single)	2
15	23PR11	Cotter pin with ring 11	3
16	23ZR6	Elastic single cotter pin 6 (R-letter shaped, single)	8
17	POD-ELZ-000507	Round washer M30 galv. DIN 125	22
18	POD-ELZ-000042-1	Self-locking nut M30 galv. 82175	13
19	23P8OOC	Round washer 8 galv. 82005 82005	2

No.	Index	Name	Volume
20	23S8/80 8.8	Screw 8 x 80 galv. 8.8 82101 82101	2
21	POD-ELZ-000390	Bolt 30 x 100 galv. 8.8 82101	6
22	POD-ELZ-000696	Bolt 30 x 150 galv. 10.9 82101	1
23	23SM8	Lubricating nipple M8 x 1.0 straight	6
24	U490 01.04.00	Pin of the three-point connector	1
25	U490 01.02.00	Three-point connector	1
26	U490 01.00.05	Bottom rod pin	2
27	U490 01.00.04	Mounting pin of the roller	8
28	U490 01.00.03	Spacer bushing	1
29	U490 01.00.02	Metal sheet with a logo, right side	1
30	U490 01.00.01	Metal sheet with a logo, left side	1

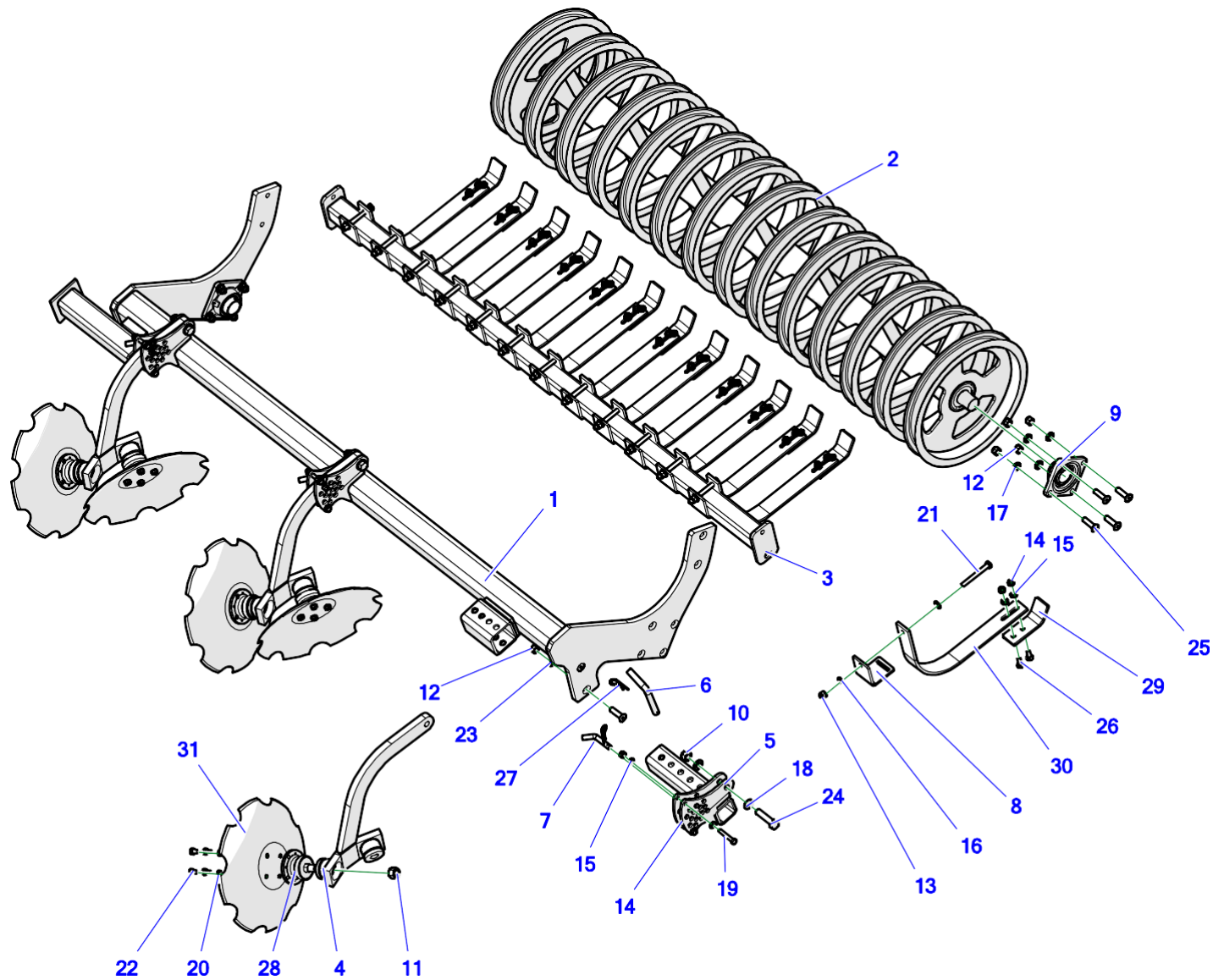
3. RIGHT ROLLER, COMPLETE



No.	Index	Name	Volume
1	U487 02.01.00	Roller frame, right	1
2	U487 02.02.00	Scraper bar	1
3	U487 02.03.00	4.2 m cultivator roller	1
4	U-710 01.00.13	Pin V	1
5	U-710 02.00.08	Adjustment pin II	3
6	U-740 05.00.01	Spring mounting	13
7	POD-ELZ-000693	Counter sunk Allen screw 16 x 60 galv. 10.9 DIN7991	12
8	U490 02.08.00	Disc support	3
9	U490 02.06.00	Right-side support	1
10	POD-ELZ-000705	Fan-shaped washer, ext. 16 galv. DIN 6798A	4
11	23ZRFI4	Elastic single cotter pin 4 (R-letter shaped, single)	4
12	23NS16OC	Self-locking nut M16 galv. 82175 8 82175 8	12
13	POD-LOZ-000244	Bearing assembly FY 50 TR	2
14	POD-EOS-000371	Smoothing harrow arm	13
15	POD-ELZ-000635	Bolt 14 x 120 galv. 10.9 82101	13
16	23P14OC	Round washer 14 galv. 82005 82005	26
17	23NS14OC	Self-locking nut M14 galv. 82175 8 82175 8	13
18	POD-OGL-000544	Tabo Point	13

No.	Index	Name	Volume
19	POD-ELZ-000647	Plough bolt 12 x 40 black 8.8 82402	26
20	23NS12OC	Self-locking nut M12 galv. 82175 8 82175 8	32
21	23P20OOC	Round washer 20 galv. 82005 82005	6
22	23S20/80 8.8 OC	Bolt 20 x 80 galv. 82101 82101	3
23	23NS20OC 82175	Self-locking nut M20 galv. 82175 8 82175 8	3
24	23P12OC	Round washer 12 galv. 82005	38
25	23S12/70OC 8.8	Bolt 12 x 70 galv. 8.8 82101 82101	6
26	POD-OGL-000576	Extreme disc with notches, diam. 460/4	5
27	POD-LOZ-000174	BAA0004 maintenance-free hub	5
28	POD-ELZ-000623	Self-locking nut M22 x 1.5 galv. 10.9	5
29	POD-ELZ-000629	Bolt 12 x 1.25 x 20 galv. 10.9 82105	20
30	23P16OOC	Round washer 16 galv. 82005 82005	8
31	23P12SP	Spring washer 12, galv. 82008 82008	20

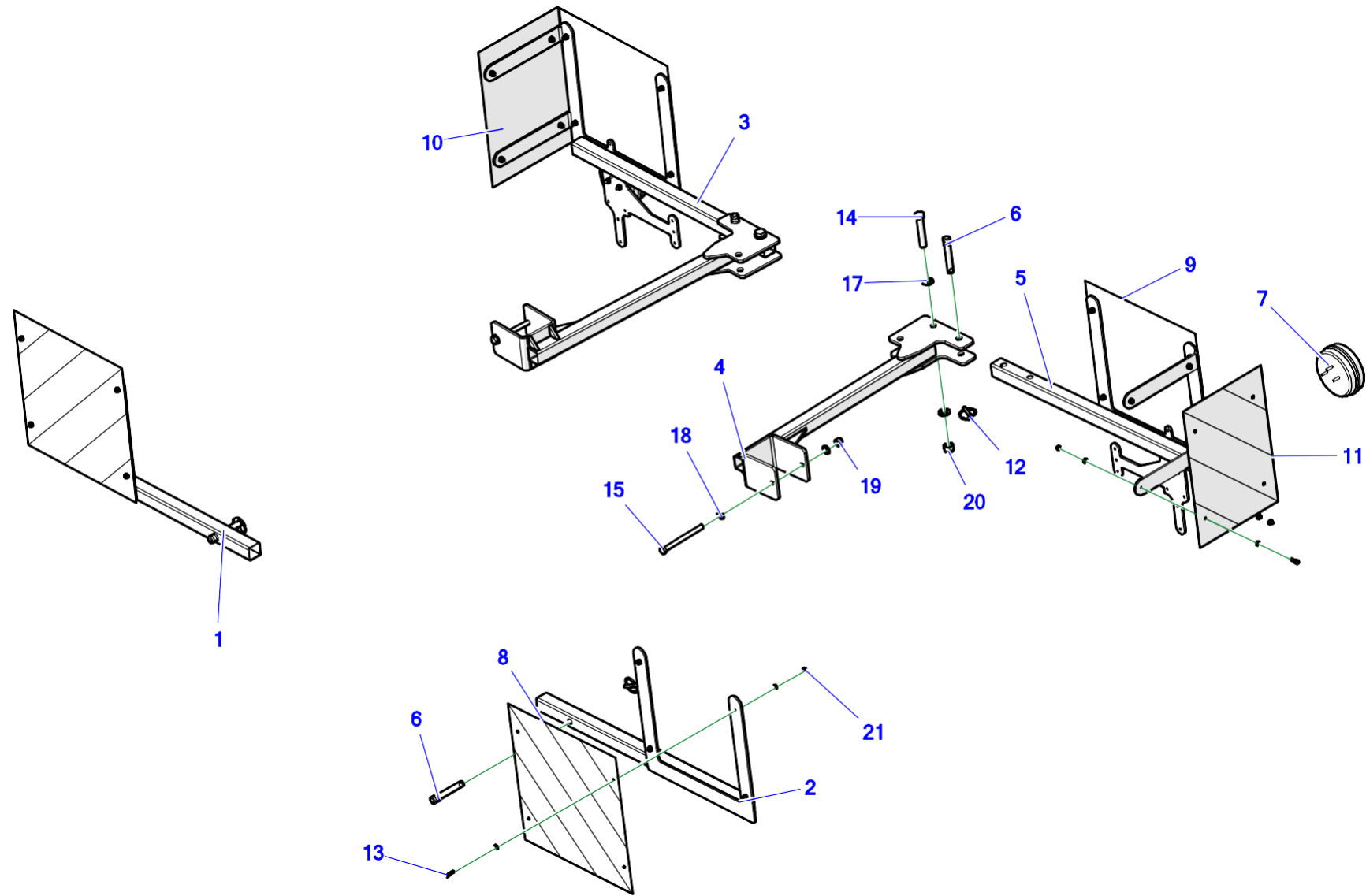
4. LEFT ROLLER, COMPLETE



No.	Index	Name	Volume
1	U487 03.01.00	Roller frame, left	1
2	U487 02.03.00	4.2 m cultivator roller	1
3	U487 02.02.00	Scraper bar	1
4	U490 02.08.00	Disc support	3
5	U490 02.07.00	Left-side support	1
6	U-710 01.00.13	Pin V	1
7	U-710 02.00.08	Adjustment pin II	3
8	U-740 05.00.01	Spring mounting	13
9	POD-LOZ-000244	Bearing assembly FY 50 TR	2
10	23NS20OC 82175	Self-locking nut M20 galv. 82175 8 82175 8	3
11	POD-ELZ-000623	Self-locking nut M22 x 1.5 galv. 10.9	5
12	23NS16OC	Self-locking nut M16 galv. 82175 8 82175 8	12
13	23NS14OC	Self-locking nut M14 galv. 82175 8 82175 8	13
14	23NS12OC	Self-locking nut M12 galv. 82175 8 82175 8	32
15	23P12OC	Round washer 12 galv. 82005	38
16	23P14OC	Round washer 14 galv. 82005 82005	26
17	23P16OOC	Round washer 16 galv. 82005 82005	8
18	23P20OOC	Round washer 20 galv. 82005 82005	6

No.	Index	Name	Volume
19	23S12/70OC 8.8	Screw 12 x 70 galv. 8.8 82101 82101	6
20	23P12SP	Round washer 12 galv. 82008 82008	20
21	POD-ELZ-000635	Bolt 14 x 120 galv. 10.9 82101	13
22	POD-ELZ-000629	Bolt 12 x 1.25 x 20 galv. 10.9 82105	20
23	POD-ELZ-000705	Fan-shaped washer, ext. 16 galv. DIN 6798A	4
24	23S20/80 8.8 OC	Bolt 20 x 80 galv. 82101 82101	3
25	POD-ELZ-000693	Counter sunk Allen screw 16 x 60 galv. 10.9 DIN7991	12
26	POD-ELZ-000647	Plough bolt 12 x 40 black 8.8 82402	26
27	23ZRFI4	Elastic single cotter pin 4 (R-letter shaped, single)	4
28	POD-LOZ-000174	BAA0004 maintenance-free hub	5
29	POD-OGL-000544	Tabo Point	13
30	POD-EOS-000371	Smoothing harrow arm	13
31	POD-OGL-000576	Extreme disc with notches, diam. 460/4	5

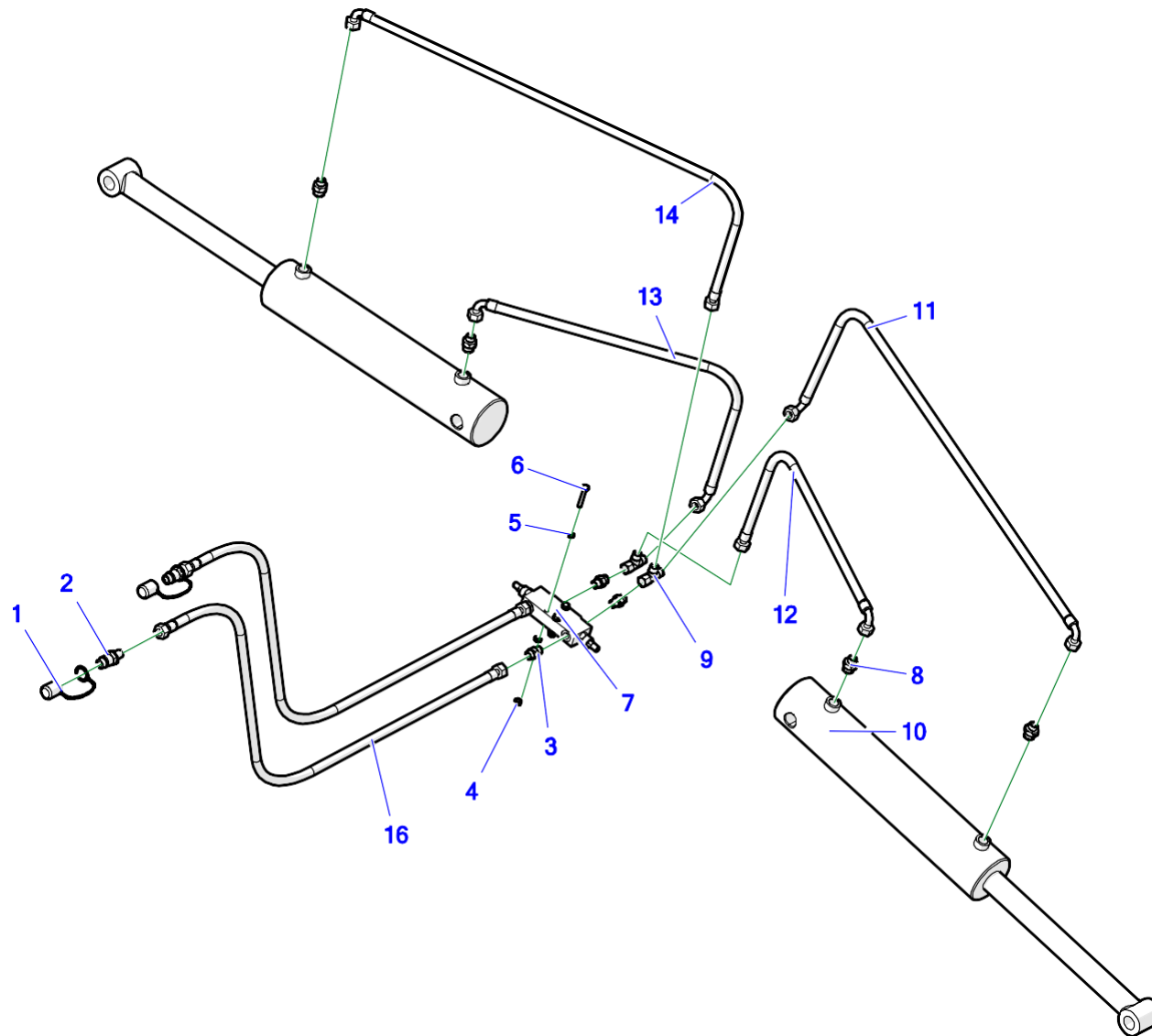
5. LIGHTS



No.	Index	Name	Volume
1	U487 04.05.00	Front right support	1
2	U487 04.04.00	Front left support	1
3	U487 04.03.00	Rear light bracket, right	1
4	U487 04.01.00	Rear light bracket	2
5	U487 04.02.00	Rear light bracket, left	1
6	U490 02.00.02	Roller adjustment pin	4
7	POD-ELK-000413	Lamp FT-110 LED 12 / 24V, round, incl. 1 m cable	2
8	POD-ELK-000292	Red/white warning board, 423 mm x 423 mm, right side	2
9	POD-ELK-000293	Red/white warning board, 423 mm x 423 mm, left side	2
10	POD-ELK-000294	Red/white warning board, 423 mm x 282 mm, right side	1
11	POD-ELK-000295	Red/white warning board, 423 mm x 282 mm, left side	1
12	23PR8	Cotter pin with ring 8	4
13	23S6/20	Bolt 6 x 20 galv. 8.8 82105 82105 8.8	24
14	23S16/90OC	Screw 16 x 90 galv. 8.8 82101 82101	2
15	POD-ELZ-000407	Bolt 12 x 140 galv. 8.8 82101	2
16	23P6OOC	Round washer 6 galv. 82005 82005	52

No.	Index	Name	Volume
17	23P16OOC	Round washer 16 galv. 82005 82005	4
18	23P12OC	Round washer 12 galv. 82005	4
19	23NS12OC	Self-locking nut M12 galv. 82175 8 82175 8	2
20	23NS16OC	Self-locking nut M16 galv. 82175 8 82175 8	2
21	23NS6OC	Self-locking nut M6 galv. 82175 8 82175 8	28
22	POD-ELK-000453	Electric cable bundle for the U487 cultivator	1

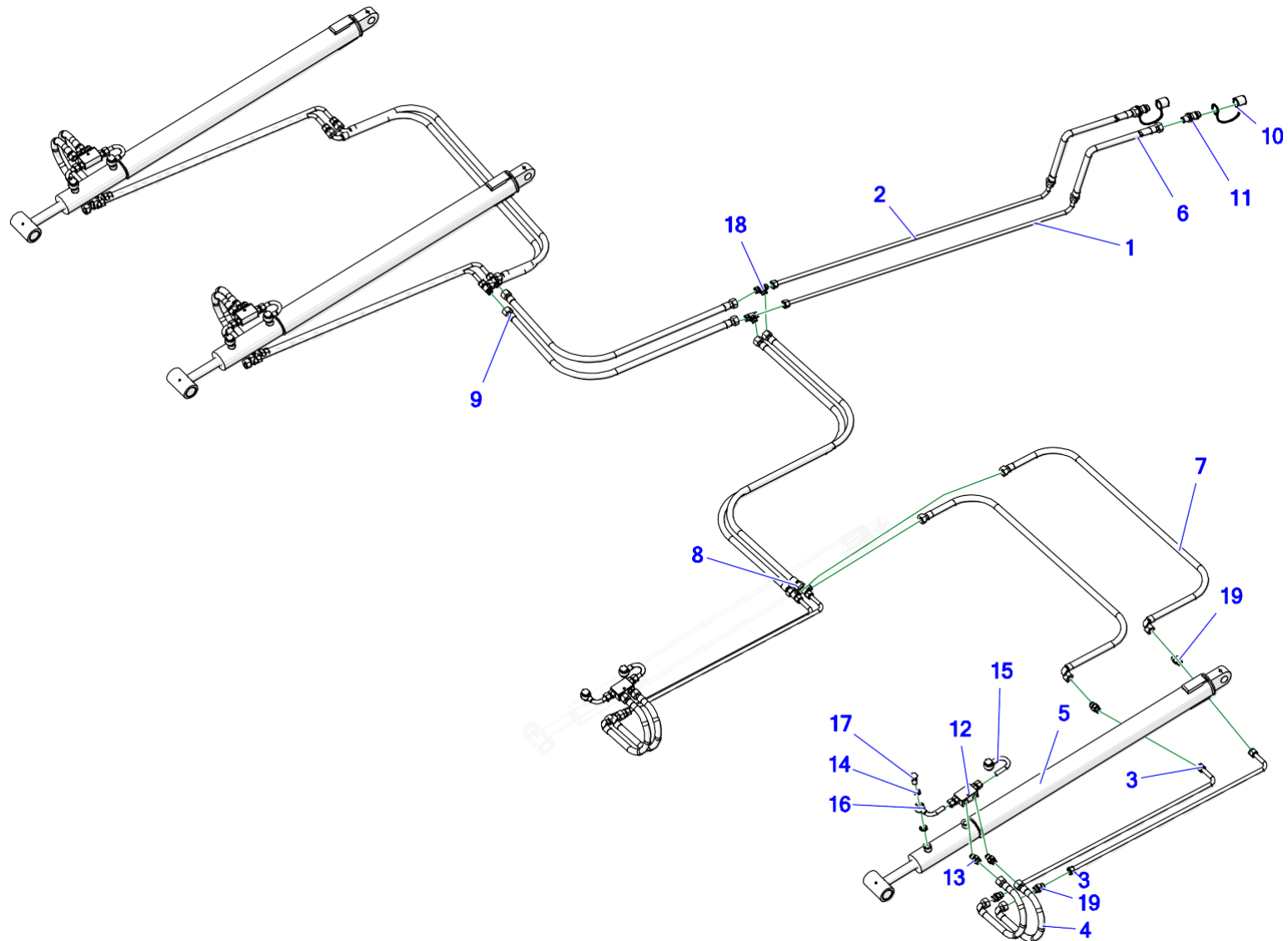
6. HYDRAULIC SYSTEM - FOLDING OF SIDE ARMS



No.	Index	Name	Volume
1	24ZWNE13	Vale cap EURO plug 13 (green, yellow, blue, red)	2
2	24ZWE13-M18X1.5	Valve-plug EURO 13 M18 x 1.5	2
3	24KP3/8 18	Straight connector 3/8 x 18-1.5 12LR	4
4	23NS8OC	Self-locking nut M8 galv. 82175 8 82175 8	3
5	23P8OOC	Round washer 8 galv. 82005 82005	6
6	POD-ELZ-000564	Bolt 8 x 50 galv. 10.9 82101	3
7	POD-HZW-000060	Overload lock valve VBCD 3/8" DE-A (V0422)	1
8	24KP22/18	Straight connector 22 x 18-1.5	4
9	POD-HKR-000121	T-connector, asymmetrical 18 x 18 x 18-1.5 12L with nut on side	2
10	POD-HSL-000127	Cylinder UCJ190-100/50/400*L-625	2
11	A90A90/211/10 L-1250	Hydraulic hose A90A90/211/10 L-1250	1
12	AA90/211/10 L-700	Hydraulic hose AA90/211/10 L-700	1
13	A90A90/211/10 L-800	Hydraulic hose A90A90/211/10 L-800	1
14	AA90/211/10 L-1150	Hydraulic hose AA90/211/10 L-1150	1
15	AA/211/10 L-2500	Hydraulic hose AA/211/10 L-2500	1
16	AA/211/10 L-2500	Hydraulic hose AA/211/10 L-2500	1

*Hydraulic hoses are included in the NR.24-5 4.2 m stubble cultivator set

7. HYDRAULIC SYSTEM - ADJUSTMENT OF THE PACKER ROLLER POSITION

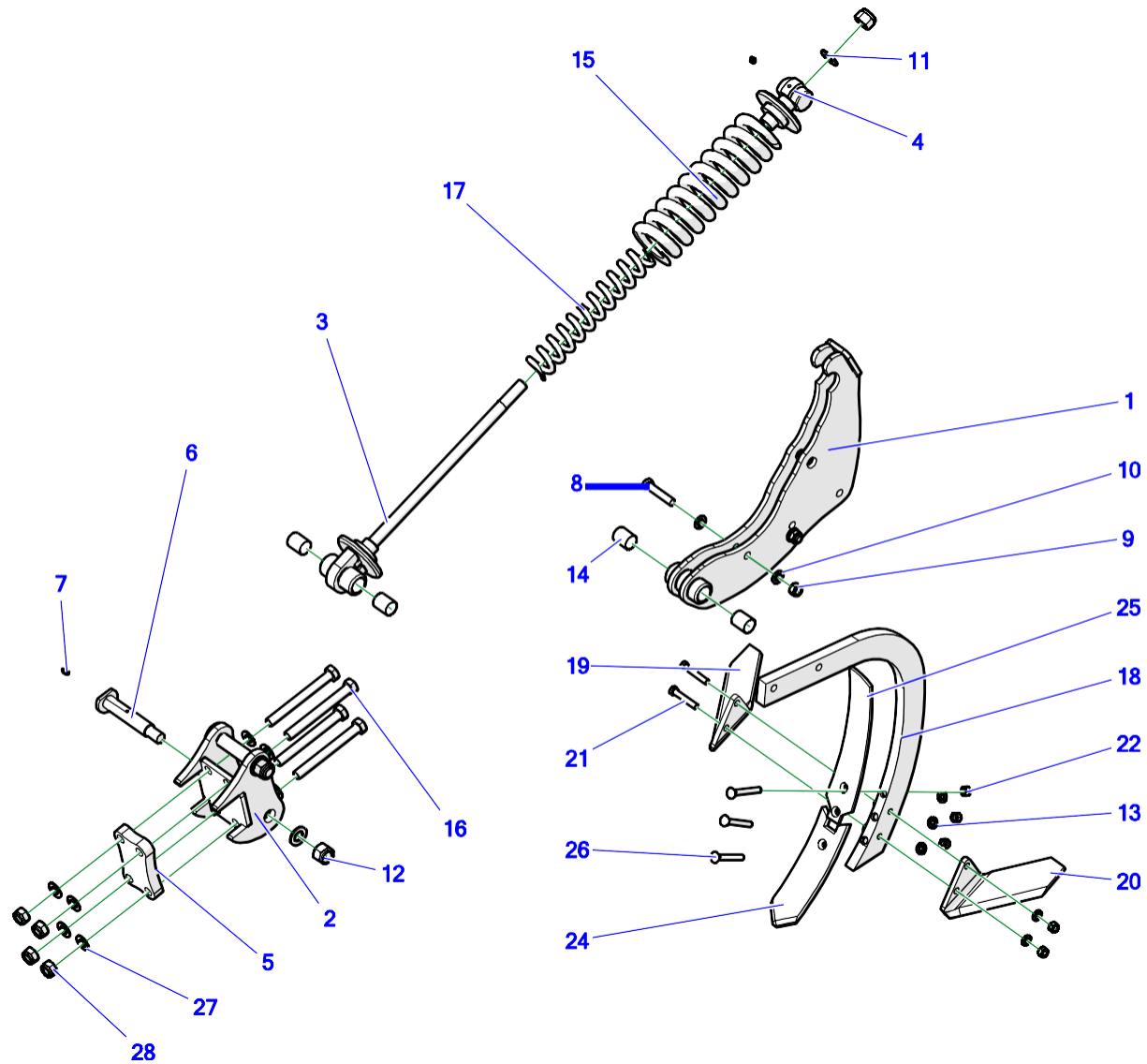


No.	Index	Name	Volume
1	Tube 12 x 1.5 L-1200 + 2xpz + 2xn	Tube 12 x 1.5 L-1200 + 2xpz + 2xn	1
2	Tube 12 x 1.5 L-1150 + 2xpz + 2xn	Tube 12 x 1.5 L-1150 + 2xpz + 2xn	1
3	Tube 12 x 1.5 L-900 + 2xpz + 2xn	Tube 12 x 1.5 L-900 + 2xpz + 2xn	8
4	A90A/211/10 L-450	Hydraulic hose A90A/211/10 L-450	8
5	U490 02.09.00	Welded cylinder	3
6	AB/211/10 L-2000	Hydraulic hose AB/211/10 L-2000	2
7	AA90/211/10 L-1300	Hydraulic hose AA90/211/10 L-1300	4
8	AA/211/10 L-1500	Hydraulic hose AA/211/10 L-1500	2
9	AA/211/10 L-1400	Hydraulic hose AA/211/10 L-1400	2
10	24ZWNE13	Vale cap EURO plug 13 (green, yellow, blue, red)	2
11	24ZWE13-M18 x 1.5	Valve-plug EURO 13 M18 x 1.5	2
12	POD-HZW-000038	Check valve, twin - controlled VBPDE 3/8" L 2 CEXC	4
13	24KP3/8 18	Straight connector 3/8 x 18-1.5 12LR	8
14	24UPPM16	Metal-rubber washer PPM 16 24 x 16	16
15	Tube 12 x 15 L-150 + head P04 M18 diam. 12	Tube 12 x 15 L-150 + head P04 M18 diam. 12	4
16	Tube 12 x 15 L140 + head P04 M18 diam. 12	Tube 12 x 15 L140 + head P04 M18 diam. 12	4
17	24SO16/1.5	Eye bolt M16 x 1.5 15 L31	8

No.	Index	Name	Volume
18	24KT18/18/18	T-coupling 18 x 18 x 18 15 L	6
19	24KP18/18	Straight connector 18 x 18-1.5	14

*Hydraulic hoses are included in the NR.24-5 4.2 m stubble cultivator set

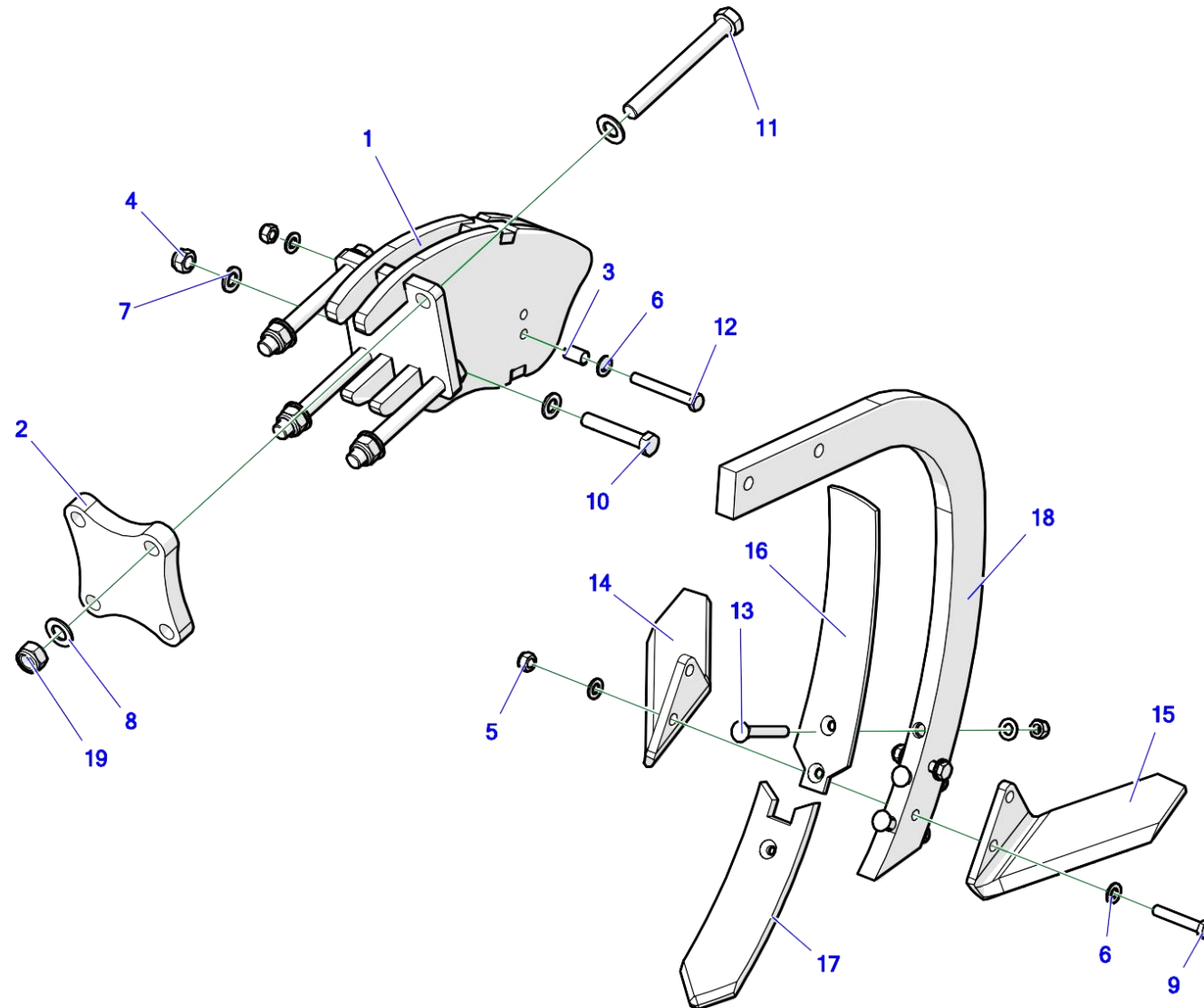
8. RIGHT/LEFT PLOUGH STANDARD, COMPLETE



No.	Index	Name	Volume
1	U490 03.01.00	Plough standard support	1
2	U490 03.02.00	Plough standard mounting	1
3	U490 03.03.00	Spring tensioning bolt	1
4	U490 03.04.00	Spring tensioning device	1
5	U490 03.00.01	Mounting plate	1
6	U490 03.00.02	Plough standard pin	2
7	23SM8	Lubricating nipple M8 x 1.0 straight	3
8	23S16/75 5.8 82101 OC	Screw 16 x 75 galv. 5.8 82101 82101	2
9	23NS16OC	Self-locking nut M16 galv. 82175 8 82175 8	2
10	23P16OOC	Round washer 16 galv. 82005 82005	4
11	23P24OC	Round washer, 24 galv. 82005 82005	3
12	POD-ELZ-000399	Self-locking nut M24 galv. 8 82175	3
13	23P12OC	Round washer 12 galv. 82005	7
14	POD-LOZ-000218	Sleeve PAP 3040 P20	4
15	POD-SPR-000068	Compression spring 24/114/350/9 (AXT)	1
16	POD-ELZ-000660	Bolt 20 x 180 galv. 8.8 82101	4
17	POD-SPR-000069	Compression spring 13/63/350/12.5 (AXT)	1
18	POD-OGL-000580	Plough beam of the stubble cultivator	1
19	POD-OGL-000586	Side ploughshare 34060857P	1

No.	Index	Name	Volume
20	POD-OGL-000585	Side ploughshare 34060856L	1
21	23S12/70OC 8.8	Bolt 12 x 70 galv. 8.8 82101 82101	2
22	23NS12OC	Self-locking nut M12 galv. 82175 8 82175 8	5
24	POD-OGL-000581	Coulter tip stubble cultivator	1
25	POD-OGL-000583	Right plough beam guard stubble cultivator	1
25*	POD-OGL-000582	Left plough beam guard stubble cultivator	1
26	POD-ELZ-000688	Plough bolt 12 x 90 black 10.9 82402	3
27	23P20OOC	Round washer 20 galv. 82005 82005	8
28	23NS20OC 82175	Self-locking nut M20 galv. 82175 8 82175 8	4

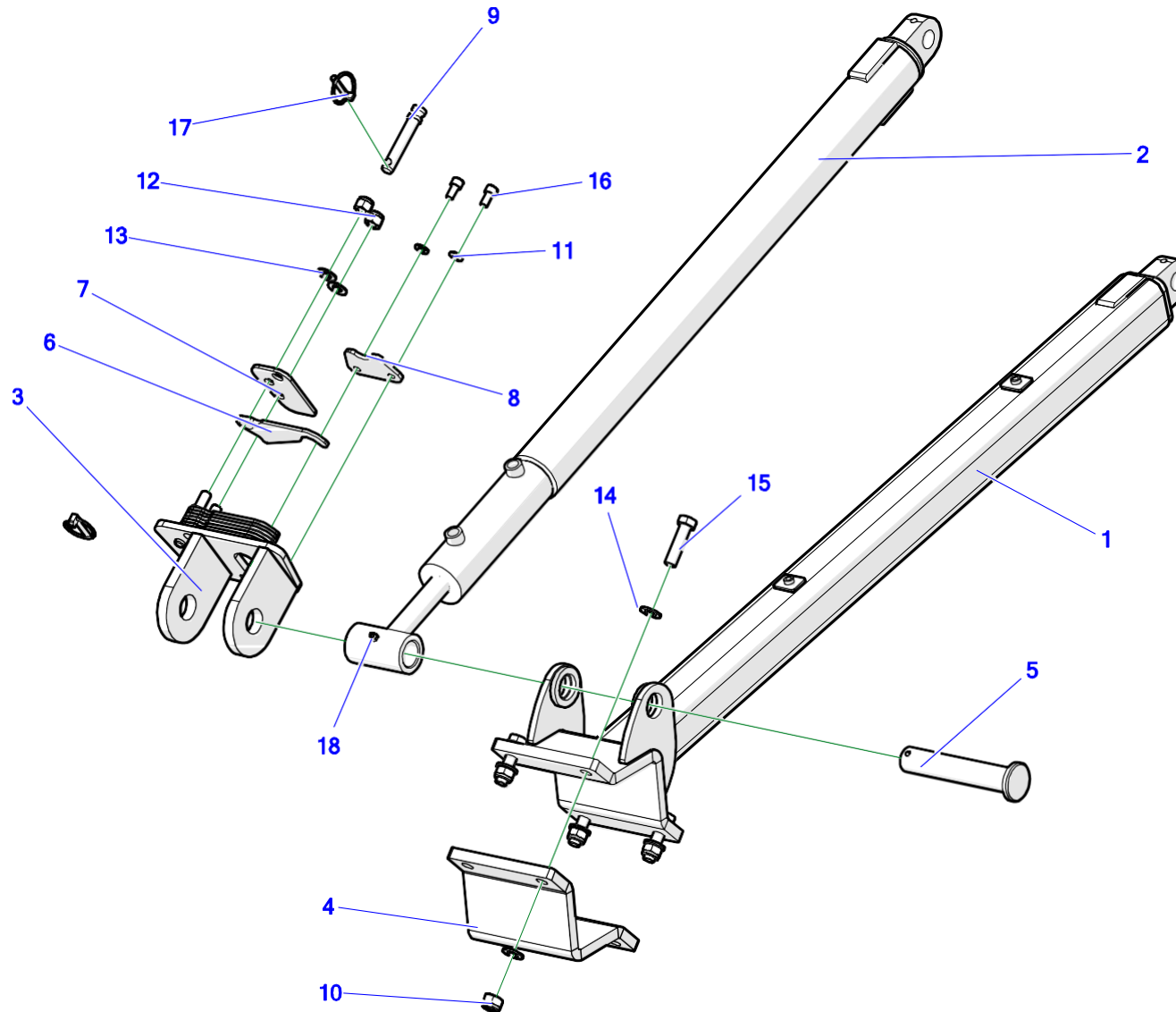
9. RIGHT/LEFT PLOUGH STANDARD, COMPLETE WITH BOLT PROTECTION



No.	Index	Name	Volume
1	U490 03.05.00	Plough standard mounting	1
2	U490 03.00.03	Plough standard mounting plate - bolt protection	1
3	U490 03.00.04	Bolt protection sleeve	1
4	23NS16OC	Self-locking nut M16 galv. 82175 8 82175 8	1
5	23NS12OC	Self-locking nut M12 galv. 82175 8 82175 8	6
6	23P12OC	Round washer 12 galv. 82005	9
7	23P16OOC	Round washer 16 galv. 82005 82005	2
8	23P20OOC	Round washer 20 galv. 82005 82005	8
9	23S12/70OC 8.8	Bolt 12 x 70 galv. 8.8 82101 82101	2
10	POD-ELZ-000724	Bolt 16 x 90 black 12.9 82101	1
11	POD-ELZ-000660	Bolt 20 x 180 galv. 8.8 82101	4
12	POD-ELZ-000725	Bolt 12 x 90 galv. 10.9 82101	1
13	POD-ELZ-000688	Plough bolt 12 x 90 black 10.9 82402	3
14	POD-OGL-000586	Side ploughshare 34060857P	1
15	POD-OGL-000585	Side ploughshare 34060856L	1
16	POD-OGL-000583	Right plough beam guard stubble cultivator	1
16*	POD-OGL-000582	Left plough beam guard stubble cultivator	
17	POD-OGL-000581	Coulter tip stubble cultivator	1

No.	Index	Name	Volume
18	POD-OGL-000580	Plough beam stubble cultivator	1
19	23NS20OC 82175	Self-locking nut M20 galv. 82175 8 82175 8	4

10. SHAFT MOUNTING, COMPLETE



No.	Index	Name	Volume
1	U490 02.02.00	Shaft mounting	1
2	U490 02.09.00	Welded cylinder	1
3	U490 02.05.00	Cylinder lock, left	1
4	U490 02.02.02M	Canopy	1
5	U490 02.00.01	Cylinder pin	1
6	U490 02.00.04	Metal plate for cylinder adjustment	9
7	U490 02.00.05	Adjustment metal plate clamp	1
8	U490 02.00.03	Roller cylinder limiter	1
9	U490 02.00.02	Roller adjustment pin	1
10	23NS16OC	Self-locking nut M16 galv. 82175 8 82175 8	4
11	23P10 82005	Round washer 10, galv. 82005 82005	2
12	23NS14OC	Self-locking nut M14, galv. 82175 8 82175 8	2
13	23P14OC	Round washer 14, galv. 82005 82005	2
14	23P16OOC	Round washer 16 galv. 82005 82005	8
15	23S16/60 8.8 82101 OC	Bolt 16 x 60 galv. 8.8 82101 82101	4
16	POD-ELZ-000044-1	Allen bolt 10 x 20 galv. 8.8 82302	2
17	23PR8	Cotter pin with ring 8	2
18	23SM8	Lubricating nipple M8 x 1.0 straight	1

NOTES

A series of 20 horizontal dotted lines for taking notes.

A large area of the page is filled with horizontal dotted lines, providing a template for handwritten entries or notes.

A large area of the page is filled with horizontal dotted lines, providing a template for handwritten entries or notes.



Metal-Fach Sp. z o.o. is constantly improving its products and adjusting its package to the needs of its customers, so it reserves the right to make changes to its product range without notice. Therefore, before making your purchase decision, please contact an authorised dealer or sales representative of Metal-Fach Sp. z o.o.

Metal-Fach Sp. z o.o. will not accept any complaints regarding the data and pictures contained in the catalogue, as the presented range of products does not constitute an offer within the meaning of the provisions of the Civil Code.

The pictures do not necessarily demonstrate standard accessories.

Original spare parts are available from authorised dealers, both in Poland and abroad, and also at the Metal-Fach retail outlet.

TECHNICAL SERVICE

16-100 Sokółka, ul. Kresowa 62
phone: +48 85 711 07 80; fax: +48 85 711 07 93
serwis@metalfach.com.pl

SALES

16-100 Sokółka, ul. Kresowa 62
phone: +48 85 711 07 78; fax: +48 85 711 07 89
handel@metalfach.com.pl

SPARE PARTS WHOLESALE STORE

16-100 Sokółka, ul. Kresowa 62
Wholesale:
phone: 85 711 07 81; fax: 85,711 07 93
hurtownia@metalfach.com.pl

Spare parts - retail sales
24/7 PHONE: +48 533 111 477
Phone: +48 85 711 07 90
sklep.kontakt@metalfach.com.pl