



METAL-FACH



ATTACHMENTS - FRONT LOADERS

PARTS CATALOGUE

REVISION 4

30/08/2023



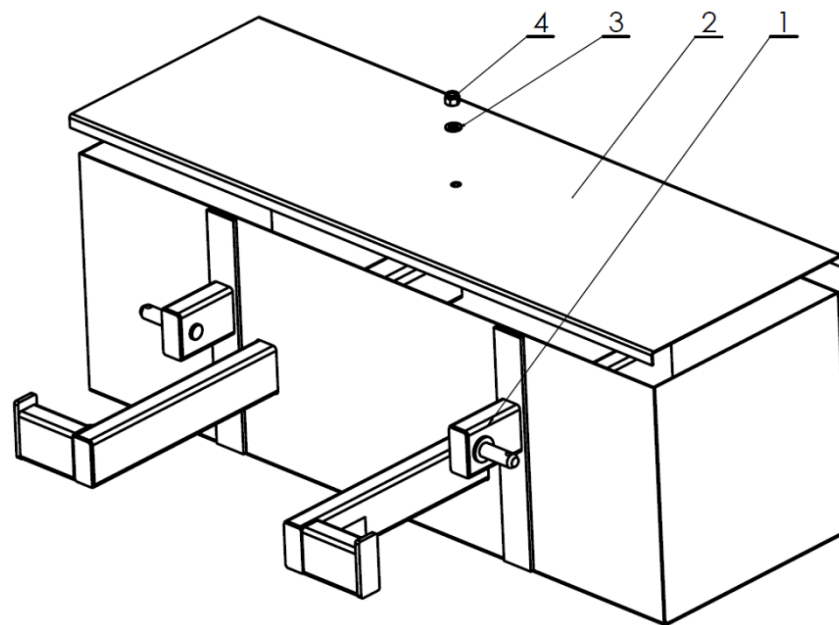
The information included in the catalogue is valid as of the date of its preparation. The manufacturer reserves its right to make design changes to machines, and due to this, some values or illustrations might not correspond to the actual state of the machine supplied to the user. The manufacturer reserves its right to make design changes without changing this catalogue.

Table of contents

1. BALLAST BOX.....	5
2. BALE GRABBER (STANDARD VERSION)	6
3. BALE GRABBER (LIGHTWEIGHT VERSION)	8
4. BALE GRABBER (HEAVYWEIGHT VERSION)	10
5. MULTI-FUNCTION BALE GRABBER	12
5.1. GRIPPER BEAM ASSEMBLY	13
5.2. GRIPPER BEAM WITH AN ADDITIONAL OL.CHB TRANSPORT SLING.....	15
5.3. OL.CHB HYDRAULIC SYSTEM.....	17
6. KRAB LOG GRIPPER	19
7. OL.CHK LOG GRIPPER SUSPENDED ON PALLET FORKS	21
8. SILAGE GRAPPLE (1-CYLINDER VERSION).....	23
9. SILAGE GRAPPLE (VERSION WITH 2 CYLINDERS).....	27
10. SILAGE GRAPPLE MODEL Q.....	31
11. SILAGE GRAPPLE MODEL Z.....	34
12. SILAGE GRAB LIGHT 1.2 M	37
13. GRAPPLE BUCKET	39
14. GRAPPLE BUCKET MODEL “Q”	42
15. MINI CLAMSHELL BUCKET.....	45
16. BALE FORKS (STANDARD VERSION)	47
17. MANURE AND HAY FORKS	48
18. MANURE AND HAY FORK MODEL “Q”	50

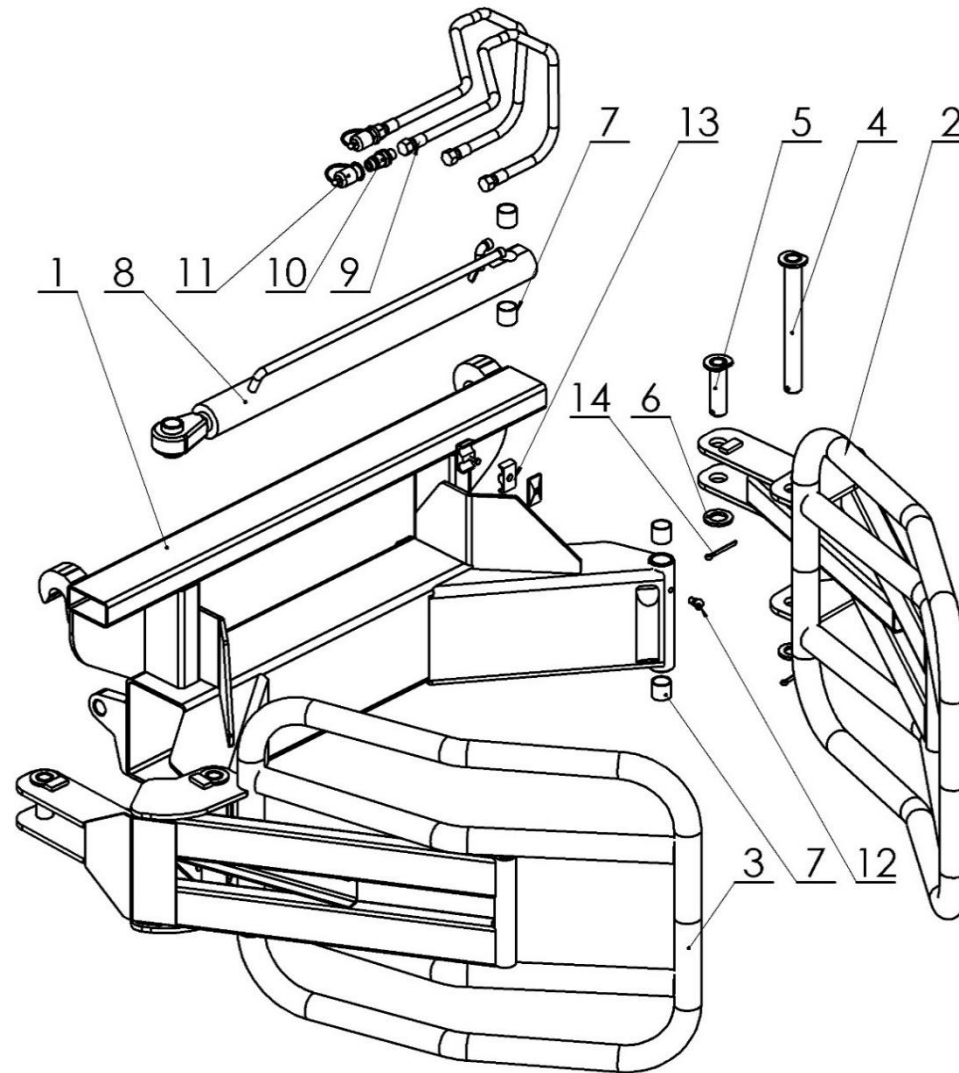
19. MANURE AND HAY FORK MODEL "Z"	52
20. SILAGE CUTTER.....	54
21. PALLET SHUTTLE FORK	57
22. COMBINED PALLET SHUTTLE FORKS	59
23. CLAMSHELL BUCKET FOR GRABBING AND LEVELLING	61
24. EURO HIGH DUMP BUCKET.....	65
25. FERTILISER BAG LIFTER.....	67
26. 2.2 M SNOW PLOUGH SUSPENDED ON A LODER, EURO LIGHT TYPE.....	69
27. SNOW PLOUGH WITH A MECHANICAL PROTECTION SUSPENDED ON A EURO SPRING TYPE 2.2 M LOADER	71
28. 2.2 M MULTI TYPE DOUBLE-SIDED SNOW PLOUGH SUSPENDED ON A 2.2 M LOADER	74
29. RECTANGULAR BALE GRABBER	77
30. RECTANGULAR BALE GRIPPER – ARM.....	79
31. BUCKET FOR LOOSE MATERIAL.....	81
NOTES.....	83

1. BALLAST BOX



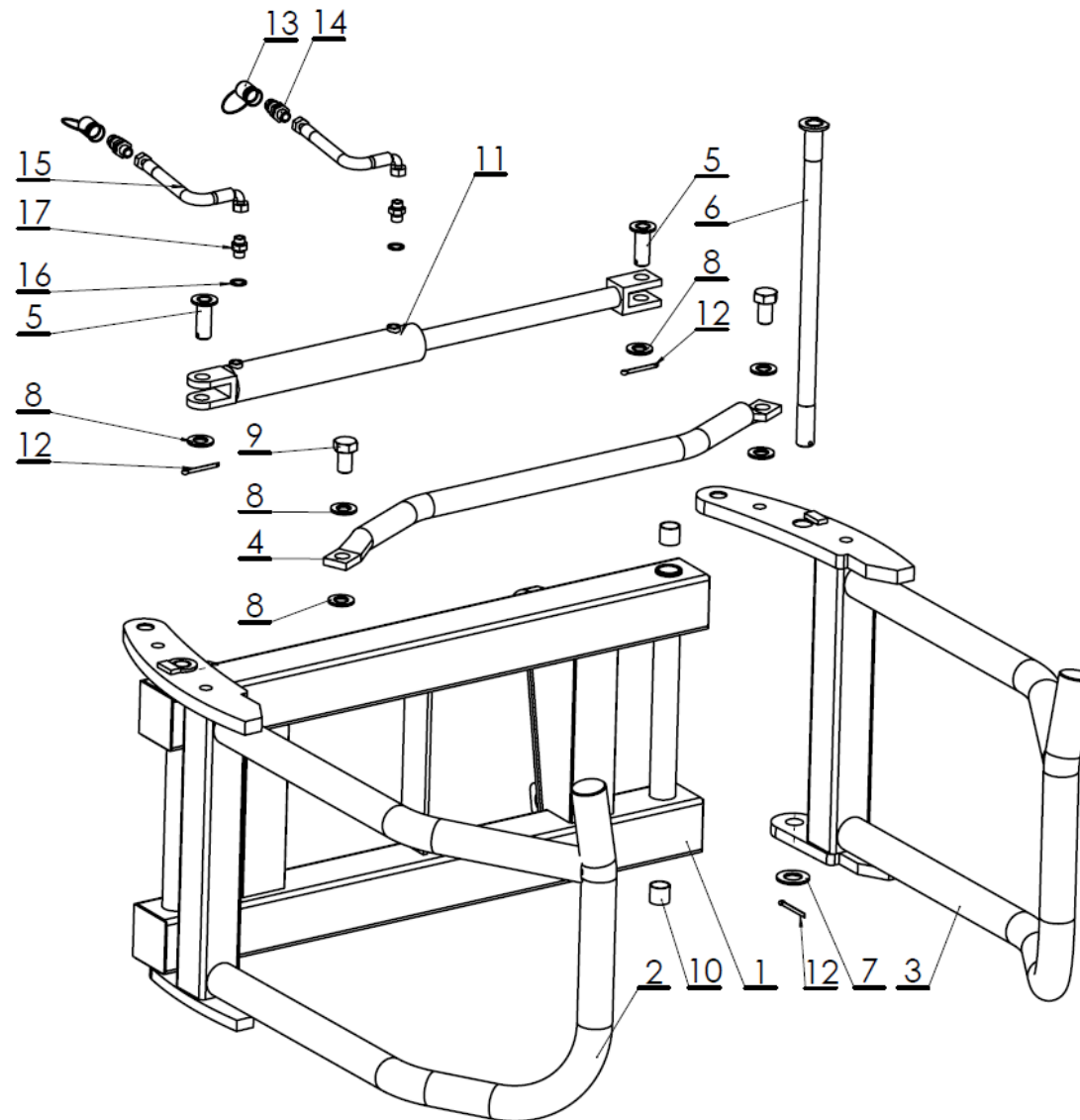
No.	Product name	Fig. or index No.			
		OL.BL650	Qty	OL.BL800	Qty
1	Welded container	OL.BL 650 01.00.00	1	OL.BL 800 01.00.00	1
2	Cover	OL.BL 650 00.00.02	1	OL.BL 800 00.00.02	1
3	Round washer 17	23P16OOC	1	23P16OOC	1
4	Self locking nut M16	23NS16OC	1	23NS16OC	1

2. BALE GRABBER (STANDARD VERSION)



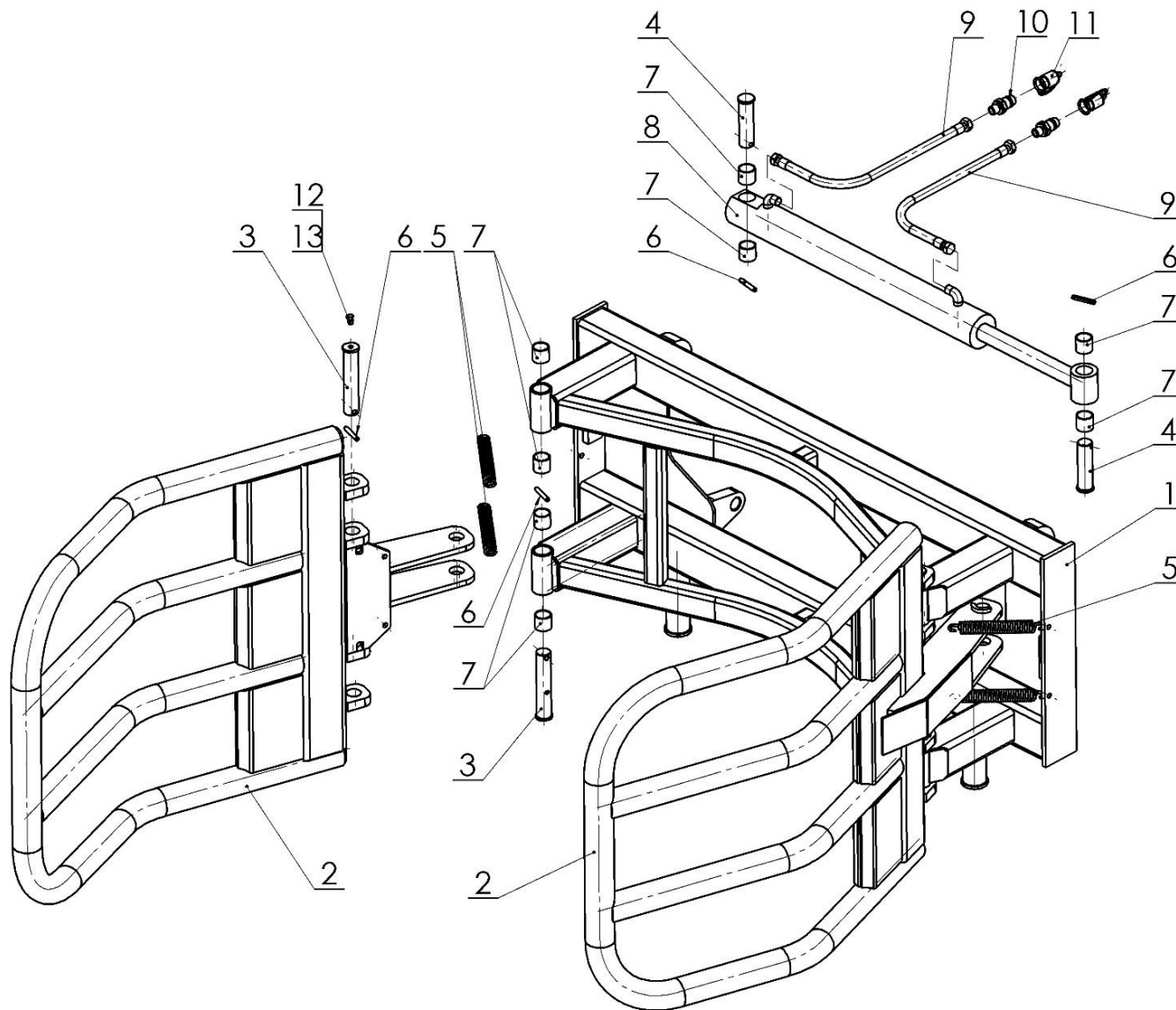
No.	Product name	Fig. or index No.			
		OL.CH 3	Qty	OL.CH 3 E	Qty
1	Welded frame	OL.CH 01.00.00.4	1	OL.CH 01.00.00.5E	1
2	Bale grab arm set L	OL.CH 02.00.00.3L	1	OL.CH 02.00.00.3L	1
3	Bale grab arm set R	OL.CH 02.00.00.3P	1	OL.CH 02.00.00.3P	1
4	Pin I	OL.CH 00.03.00.1	2	OL.CH 00.03.00.1	2
5	Pin II	OL.CH 00.04.00.1	2	OL.CH 00.04.00.1	2
6	Round washer 30	POD-ELZ-000507	13	POD-ELZ-000507	13
7	Self-lubricating sleeve	POD-LOZ-000021-1	4	POD-LOZ-000021-1	4
8	Hydraulic cylinder	POD-HSL-000094	1	POD-HSL-000094	1
9	Flexible hydraulic hose	AA/111/10 L2600	2	AA/111/10 L2600	2
10	Euro valve-plug M18 × 1.5	24ZWE13-M18X1.5	2	24ZWE13-M18X1.5	2
11	Plug valve adapter	24ZWNE13	2	24ZWNE13	2
12	Lubricating nipple M10 × 1.0 45 angle	23SM10KAT45	2	23SM10KAT45	2
13	HBK handle	POD-HPZ-000005-1	1	POD-HPZ-000005-1	1
14	Cotter pin 6.3 × 63	23Z6/63	4	23Z6/63	4

3. BALE GRABBER (LIGHTWEIGHT VERSION)



No.	Product name	Fig. or index No.			
		OL.CH	Qty	OL.CH E	Qty
1	Grapple frame	OL.CH 2 01.00.00	1	OL.CH 2 01.00.00.2E	1
2	Right grab arm	OL.CH 2 02.00.00.1P	1	OL.CH 2 02.00.00.1P	1
3	Left grab arm	OL.CH 2 02.00.00.1L	1	OL.CH 2 02.00.00.1L	1
4	Spacer	OL.CH 2 00.00.03	1	OL.CH 2 00.00.03	1
5	Pin I set	OL.CH 2 00.04.00	2	OL.CH 2 00.04.00	2
6	Pin II set	OL.CH 2 00.05.00	2	OL.CH 2 00.05.00	2
7	Round washer 30 galv., 82005 82005	23P30OOC	2	23P30OOC	2
8	Round washer, 24 galv., 82005 82005	23P24OC	6	23P24OC	6
9	Bolt 24 × 50 galv., 8.8 82105	POD-ELZ-000445	2	POD-ELZ-000445	2
10	Self-lubricating sleeve	POD-LOZ-000021-1	4	POD-LOZ-000021-1	4
11	Hydraulic cylinder	24SCJ1.63/36*250	1	24SCJ1.63/36*250	1
12	Cotter pin 6.3 × 63	23Z6/63	4	23Z6/63	4
13	Plug valve adapter	24ZWNE13	2	24ZWNE13	2
14	Euro valve-plug M18 × 1.5	24ZWE13-M18X1.5	2	24ZWE13-M18X1.5	2
15	Flexible hydraulic hose	24PAA90/111/10 L-1500	2	24PA90A10-2000 10/13	2
16	Metal & rubber washer PPM18 26 × 18	24UPPM18	2	24UPPM18	2
17	Straight connector	POD-HKR-000040	2	POD-HKR-000040	2

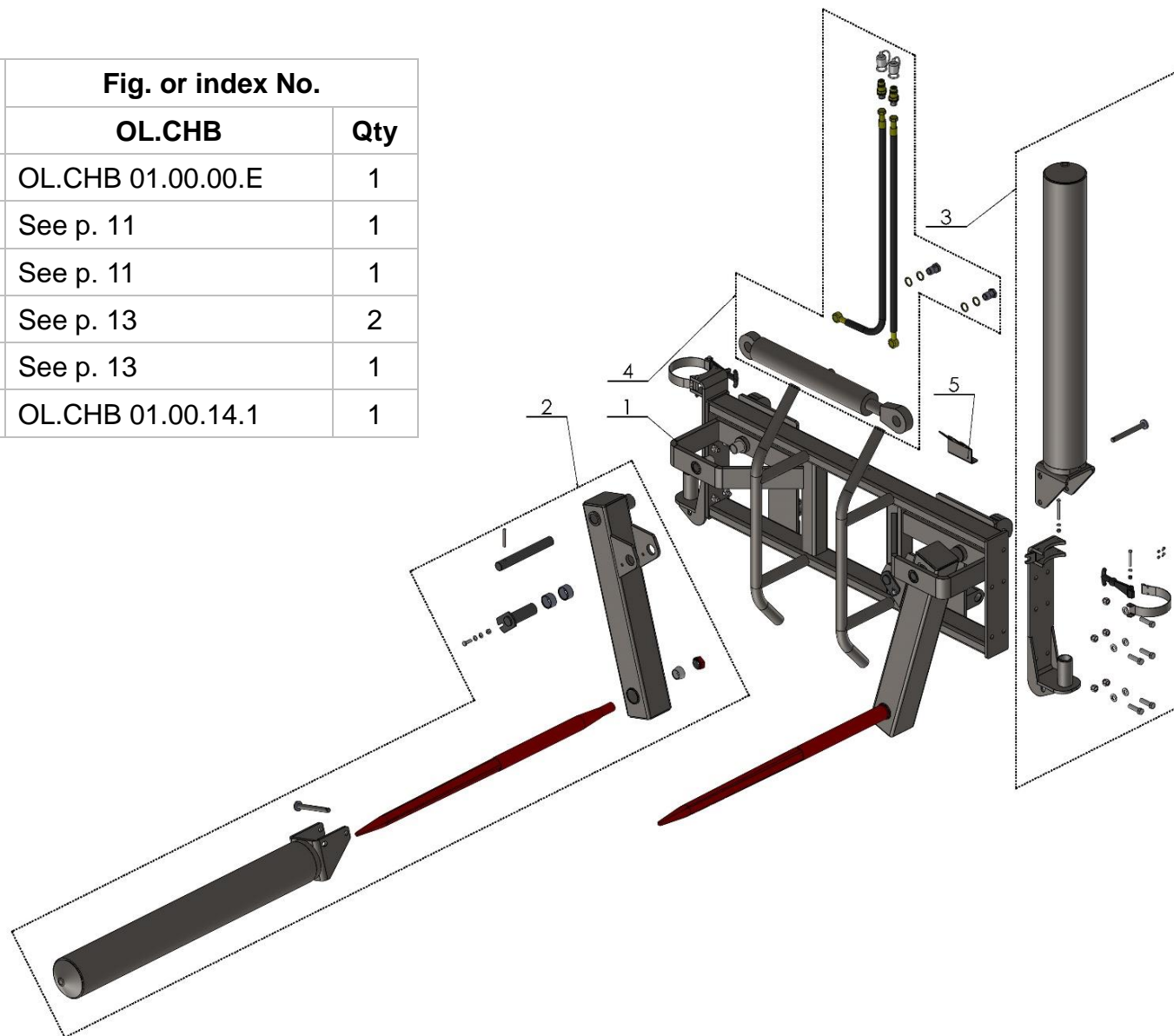
4. BALE GRABBER (HEAVYWEIGHT VERSION)



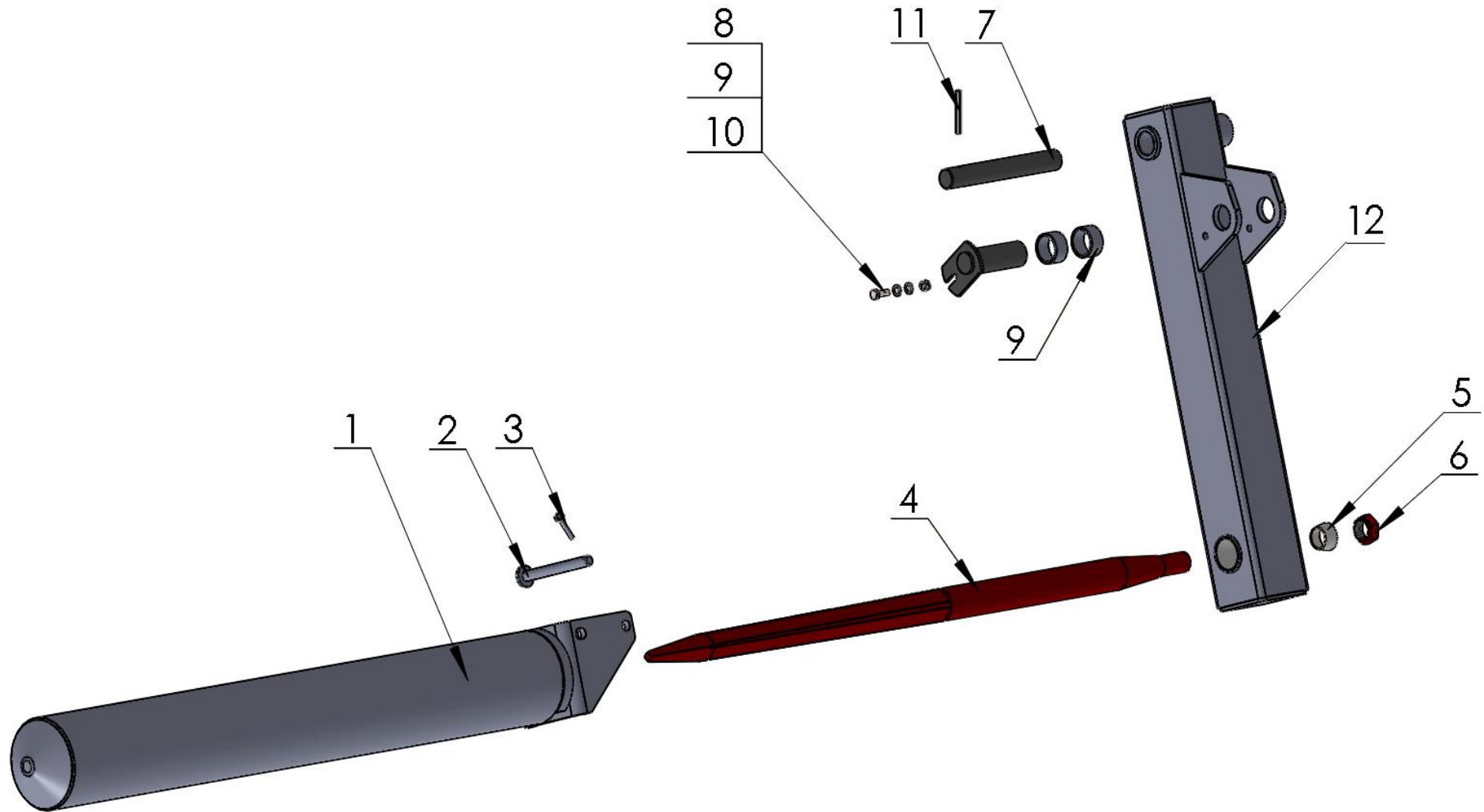
No.	Product name	Fig. or index No.			
		OL.CH 3E	Qty	OL.CH 3	Qty
1	Grapple frame	OL.CH 3 01.00.00.3E	1	OL.CH 3 01.00.00	1
2	Clamping ring set	OL.CH 3 02.00.00.1	2	OL.CH 3 02.00.00.1	2
3	Clamping ring pin	OL.CH 3 00.00.03.2	2	OL.CH 3 00.00.03.2	2
4	Cylinder pin	OL.CH 3 00.00.04	2	OL.CH 3 00.00.04	2
5	Spring	POD-SPR-000005	4	POD-SPR-000005	4
6	Spring-type straight pin	23K8/50	6	23K8/50	6
7	Sleeve PAP 3030 P10	POD-LOZ-000021-1	12	POD-LOZ-000021-1	12
8	Hydraulic cylinder	POD-HSL-000028	1	POD-HSL-000028	1
9	Flexible hydraulic hose	24PAA/111/10 L-2000	2	24PAA/111/10 L-2000	2
10	Euro valve-plug M18 × 1.5	24ZWE13-M18X1.5	2	24ZWE13-M18X1.5	2
11	Plug valve adapter	24ZWNE13	2	24ZWNE13	2
12	Lubricating nipple M10 × 1.0 straight	23SM10/1	4	23SM10/1	4
13	Red protective cap	23KOC	4	23KOC	4

5. MULTI-FUNCTION BALE GRABBER

No.	Product name	Fig. or index No.	
		OL.CHB	Qty
1	Main frame	OL.CHB 01.00.00.E	1
2	Left gripper beam	See p. 11	1
	Right gripper beam	See p. 11	1
3	Transport hitch	See p. 13	2
4	Hydraulic system	See p. 13	1
5	Wiring support	OL.CHB 01.00.14.1	1

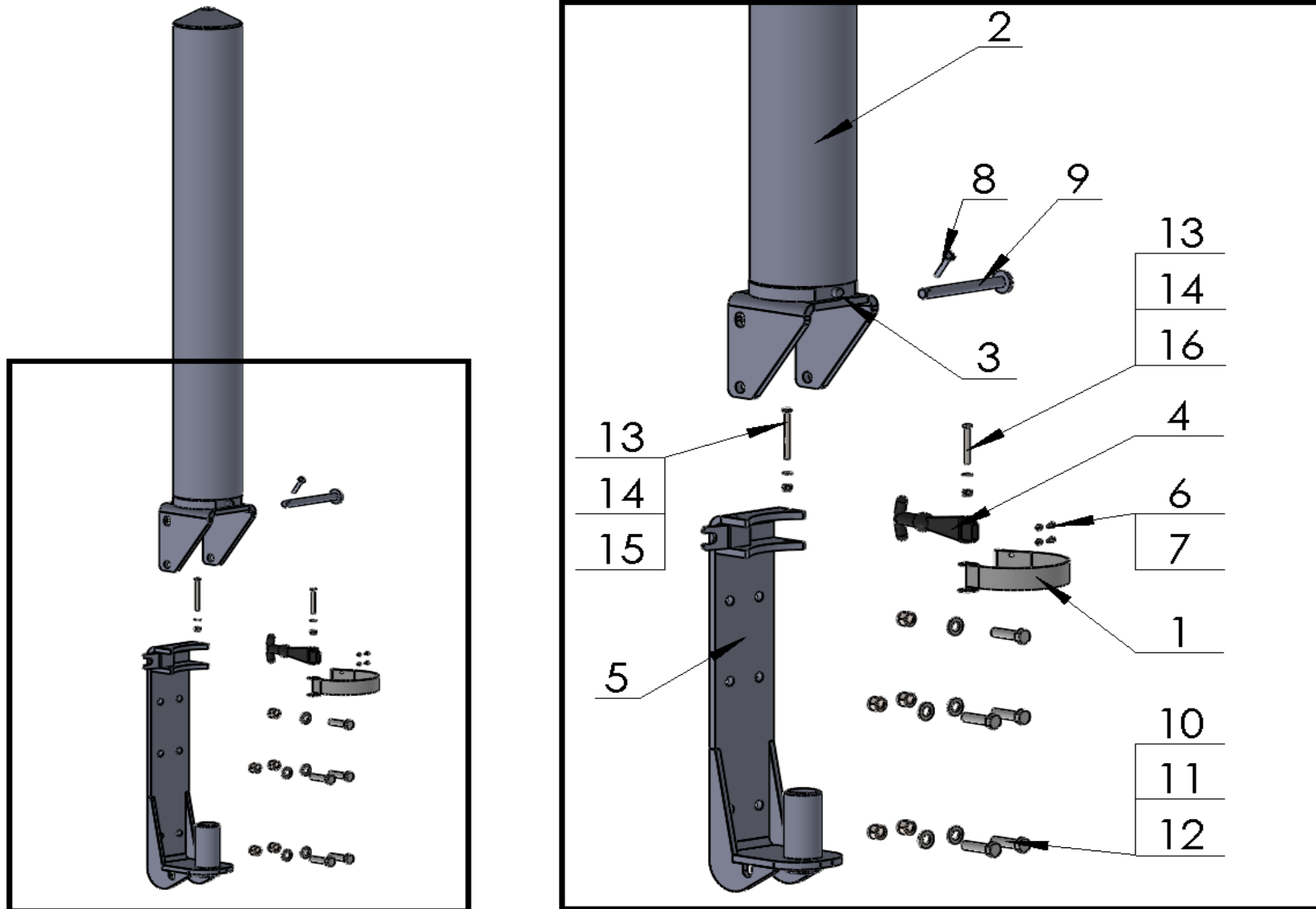


5.1. GRIPPER BEAM ASSEMBLY



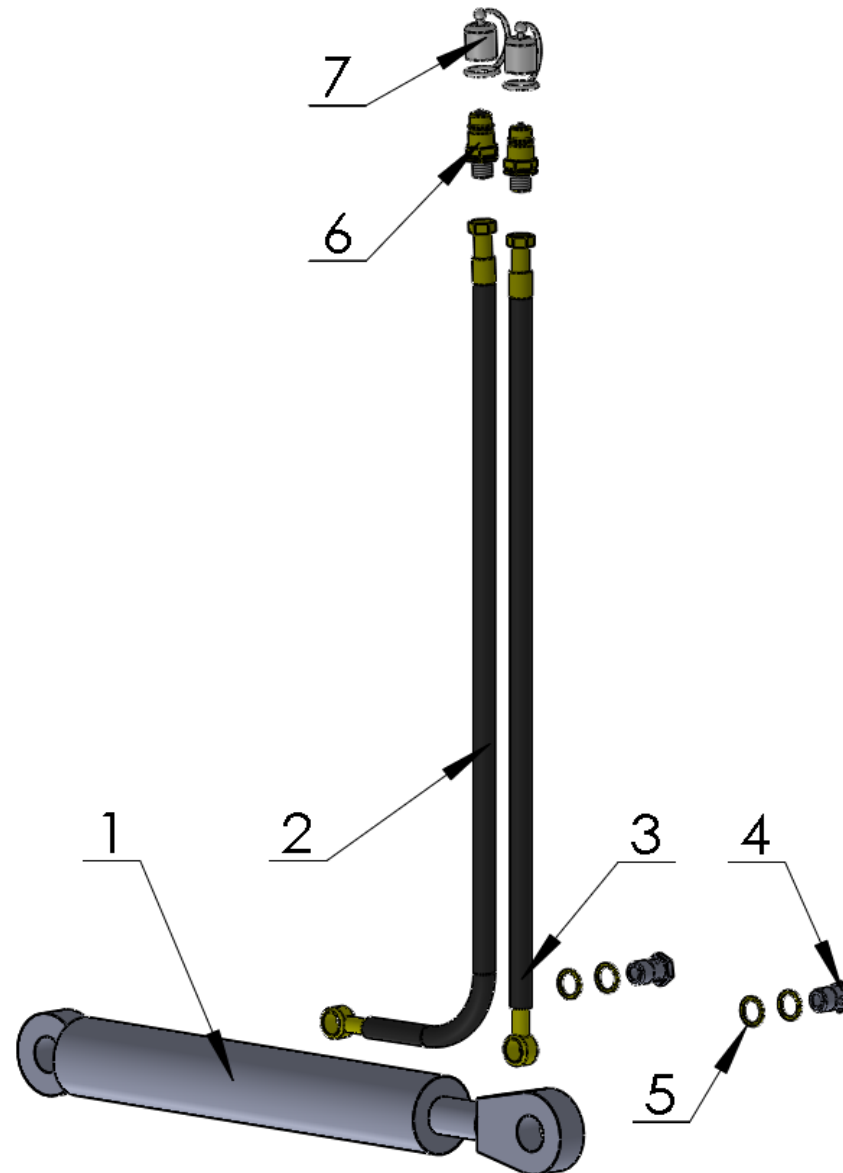
No.	Product name	Fig. or index No.	
		OL.CHB	Qty
1	Gripper beam	OL.CHB 03.00.00	1
2	Beam pivot	OL.CHB 07.00.00	1
3	Cotter pin with a ring 4.5 mm	POD-ELZ-000444	1
4	Tooth of the multi-function gripper	OL.CHB 00.00.10	1
5	Conical retaining sleeve	OL.CHB 00.00.09	1
6	M28 x 1.5 Nut	Included with item No. 4	1
7	Bar I	OL.CHB 00.00.04	1
8	Bolt 8 × 25 black 82105	23S8/25 8.8	1
9	Self-locking nut M8, galv., 82175 8	23NS8OC	1
10	Washer round 8 galv., 82005	23P8OOC	2
11	Spring pin 8 × 60 DIN 1481	POD-ELZ-000009-1	1
12	Arm I (left)	OL.CHB 02.01.00	1
12*	Arm II (right)	OL.CHB 02.02.00	1

5.2. GRIPPER BEAM WITH AN ADDITIONAL OL.CHB TRANSPORT SLING



No.	Product name	Fig. or index No.	
		OL.CHB	Qty
1	Clamp	OL.CHB 00.00.11	1
2	Gripper beam	OL.CHB 03.00.00	1
3	Lubricating nipple M6 x 1.0 straight	23SM	1
4	Lever support	POD-TSZ-000129	1
5	Hitch body	OL.CHB 06.00.00.1	1
6	Bolt 4 × 12 galv., 8.8 82105	POD-ELZ-000520	2
7	Nut M4 galv., 82144 5	23N4OC	2
8	Cotter pin with a ring 4.5 mm	POD-ELZ-000444	1
9	Beam pivot	OL.CHB 07.00.00	1
10	Bolt 12 × 45 galv., 82105 10.9	POD-ELZ-000496	5
11	Round washer 12 galv., 82005	23P12OC	5
12	Self locking nut M12 galv., 82175 8	23NS12OC	5
13	Bolt 6 × 65 galv., 82101	POD-ELZ-000447	1
14	Round washer, 6, galv., 82005	23P6OOC	1
15	Self-locking nut M6 galv., 82175 8	23NS6OC	2
16	Bolt, 6 x 50, galv., 82101 8.8	23S6/50OC	1

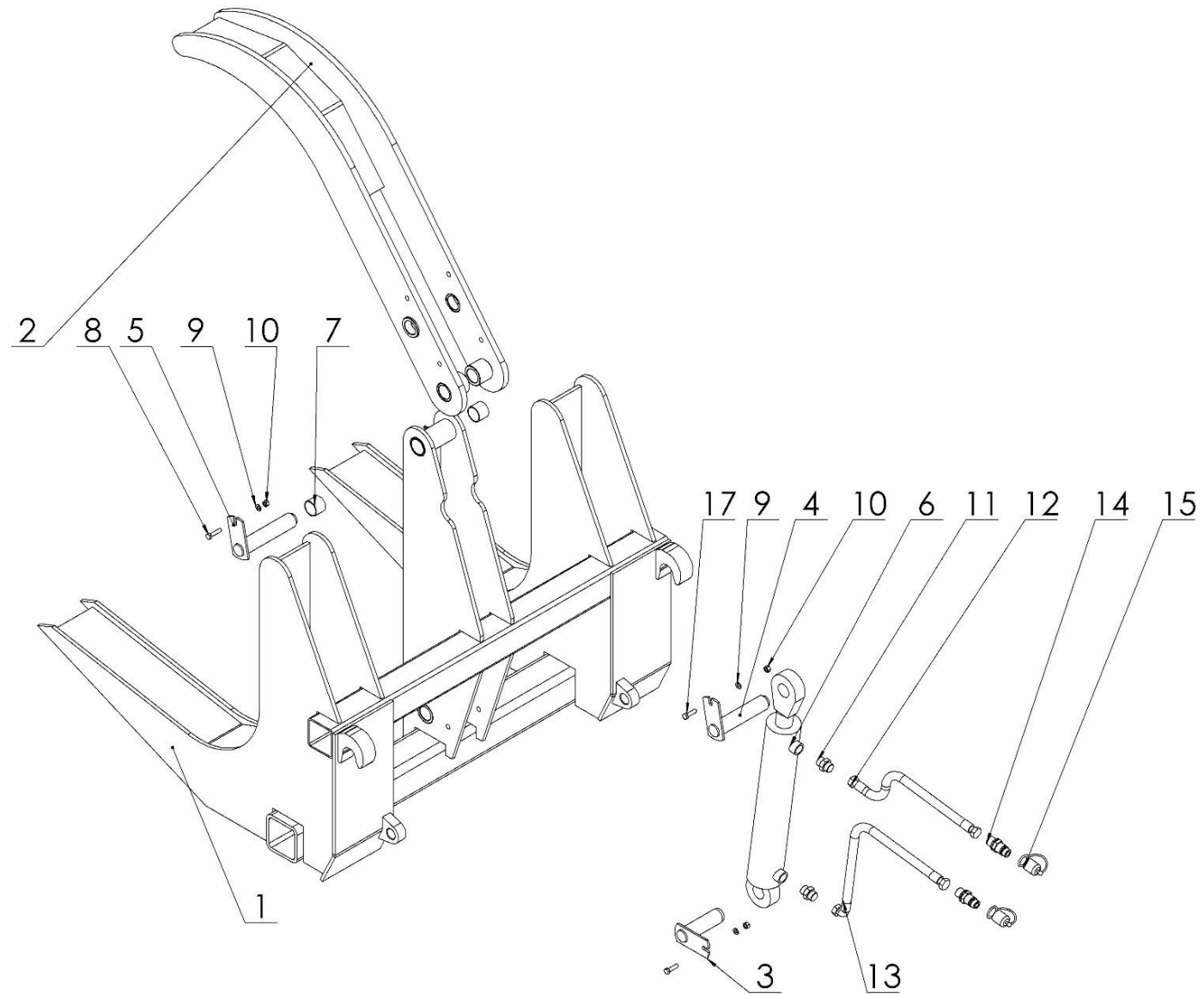
5.3. OL.CHB HYDRAULIC SYSTEM



No.	Product name	Fig. or index No.	
		OL.CHB	Qty
1	Cylinder 63/36/320z	24SCJ2F63/36/320Z	1
2	Hydraulic hose I	RNMA/1_1/10 L=1600	1
3	Hydraulic hose II	RNMA/1_1/10 L=1900	1
4	Eye bolt M22 × 1.5 22 L38	POD-HPZ-000009-1	2
5	Copper washer diam. 22 × 28 × 1.5	24U22	4
6	EURO valve-plug 13 M18 × 1.5	24ZWE13-M18X1.5	2
7	Cap for a EURO 13 valve-plug (green, yellow, blue, red)	24ZWNE13	2

*Hydraulic hoses (item 2, item 3) are included in the following sets: Set No. 63: multi-function bale grabber OLCHB E (index No.: POD-HPR-000491)

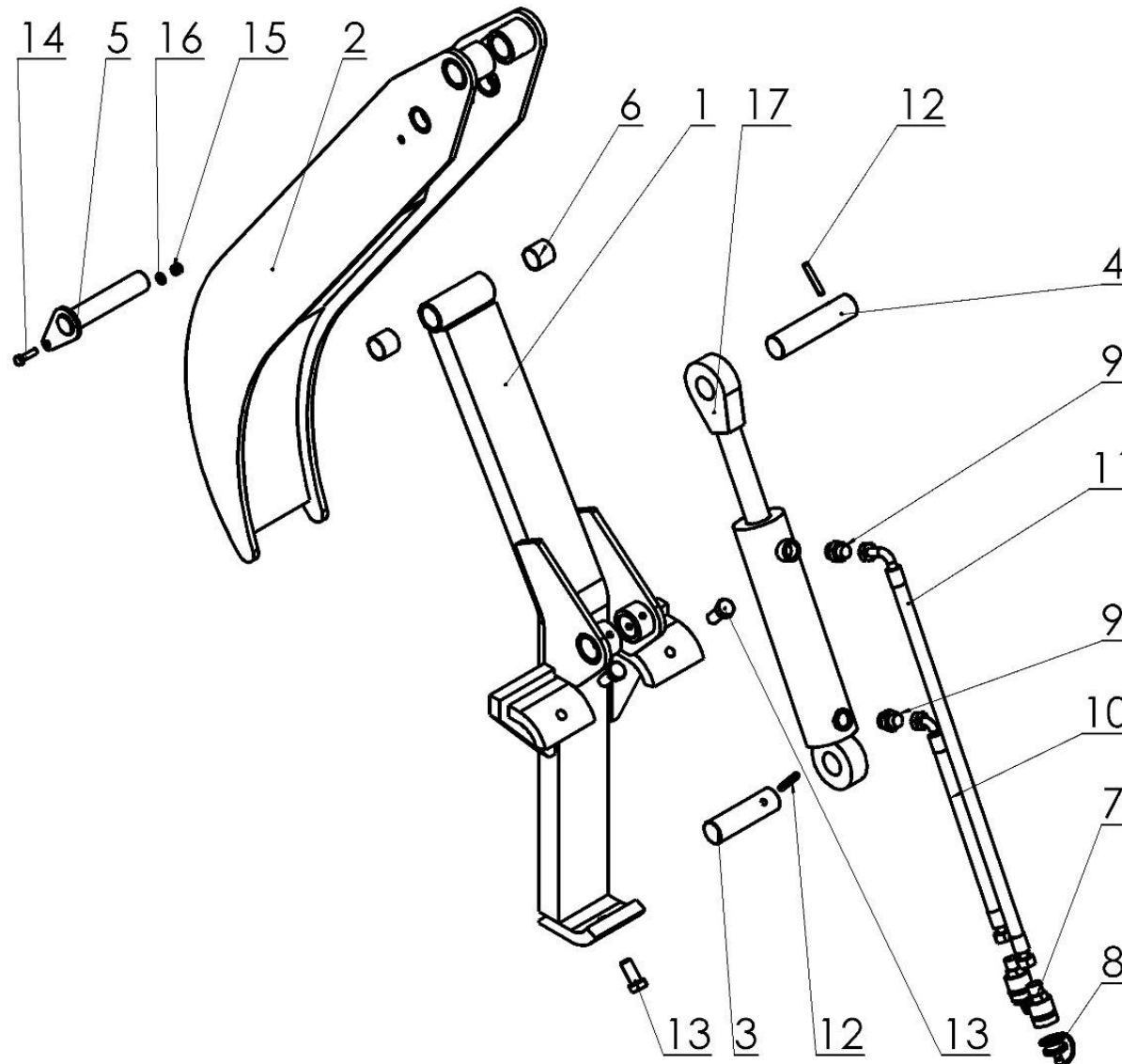
6. KRAB LOG GRIPPER



No.	Product name	Fig. or index No.	
		OL.CK	Qty
1	Welded bottom frame, complete	OL.CK 01.00.00.1E	1
2	Clamping arm, complete	OL.CK 02.00.00	1
3	Pin I, complete	OL.CK 03.00.00.1	1
4	Pin II complete	OL.CK 04.00.00.1	1
5	Pin III complete	OL.CK 05.00.00.1	1
6	Cylinder UCJ81-70/40/275*L-618	POD-HSL-000096	1
7	Sleeve PAP 3530 P20	POD-LOZ-000164	2
8	Bolt M8 × 35	23S8/35OC 8.8	1
9	Round washer 8.4	23P8OOC	3
10	Nut, M8	23N8OC	3
11	Straight coupling, 22 x 22	24K22/22	2
12	Hydraulic hose I	AA-233-13 L=1500	1
13	Hydraulic hose II	A90A-233-13 L-1800	1
14	EURO valve-plug 13 M18 × 1.5	24ZWE13-M18X1.5	2
15	Cap for EURO valve plug 13 (green, yellow, blue, red)	24ZWNE13	2
16	Lubricating nipple M10 x 1.0 straight	23SM10/1	1
17	Bolt M8 × 30	23S8/30 8.8	2

*Hydraulic hoses (item 12, item 13) are included in the POD-HPR-000418 set No. 50 - log gripper.

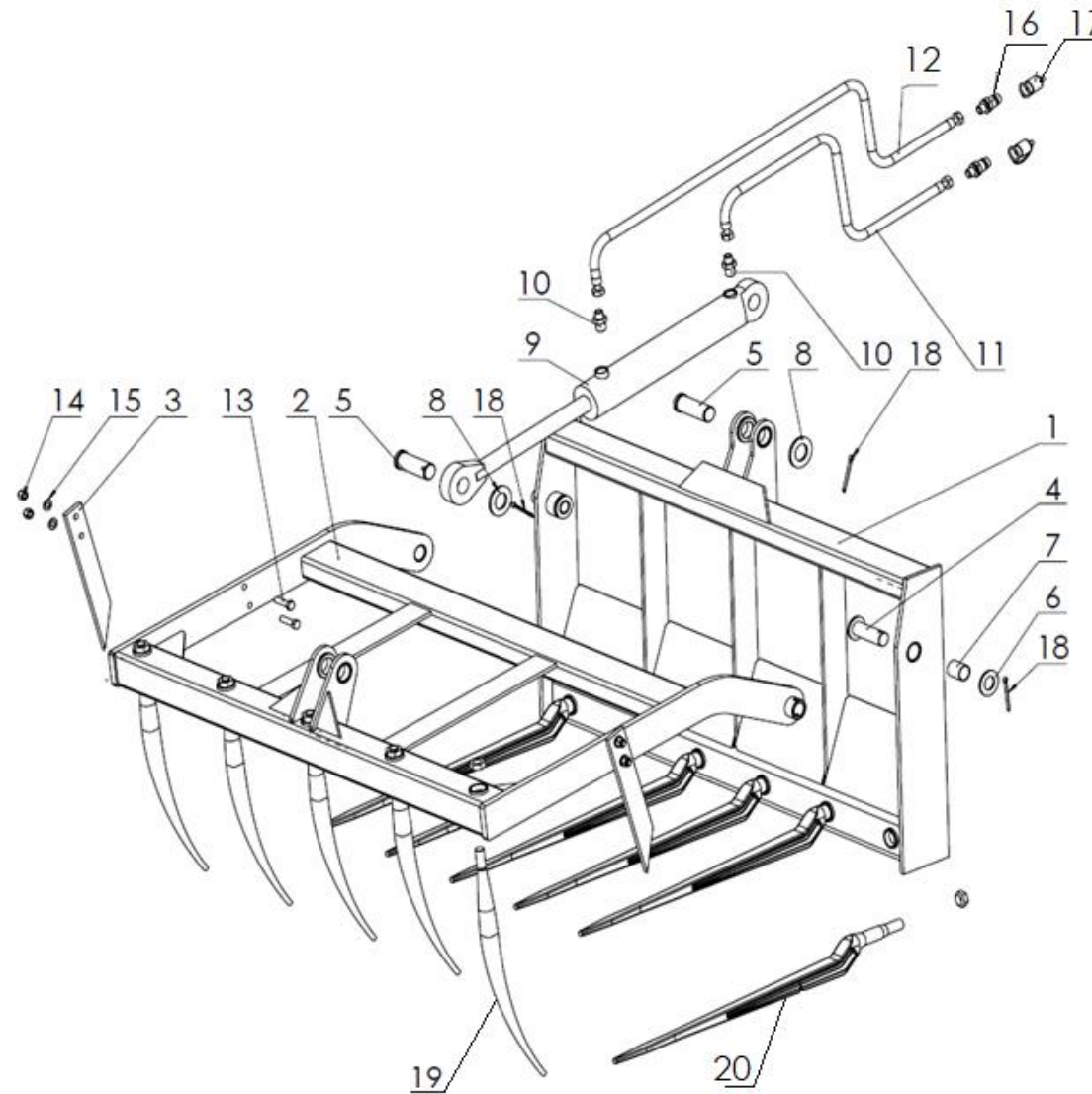
7. OL.CHK LOG GRIPPER SUSPENDED ON PALLET FORKS



No.	Product name	Fig. or index No.	
		OL.CHK	Qty
1	Welded bottom arm, complete	OL.CHK 01.00.00	1
2	Mobile upper arm, complete	OL.CHK 02.00.00	1
3	Cylinder pin I	OL.CHK 00.00.03.1	1
4	Cylinder pin II	OL.CHK 00.00.04.1	1
5	Frame pin set	OL.CHK 05.00.00.1	1
6	Sleeve PAP 3030 P10	POD-LOZ-000021-1	2
7	EURO valve-plug 13 M18 × 1.5	24ZWE13-M18X1.5	2
8	Cap for EURO valve plug 13 (green, yellow, blue, red)	24ZWNE13	2
9	Straight connection 22 x 18-1.5	24KP22/18	2
10	Hydraulic hose I	A90A-211-10 L-2000	1
11	Hydraulic hose II	A90A-211-10 L-2250	1
12	Spring-type pin diam. 8 × 50	23K8/50	2
13	Bolt M16 × 35	23S16/35 8.8OC	3
14	Bolt M8 × 30	23S8/30OC 8.8	1
15	Self-locking nut M8	23NS8OC	1
16	Round washer 8.4	23P8OOC	1
17	Cylinder 63/36/180z CJ2E*L-462	POD-HSL-000093	1

*Hydraulic hoses (item 10, item 11) are included in the POD-HPR-000398 set No. 44 - OL.CH K log gripper

8. SILAGE GRAPPLE (1-CYLINDER VERSION)



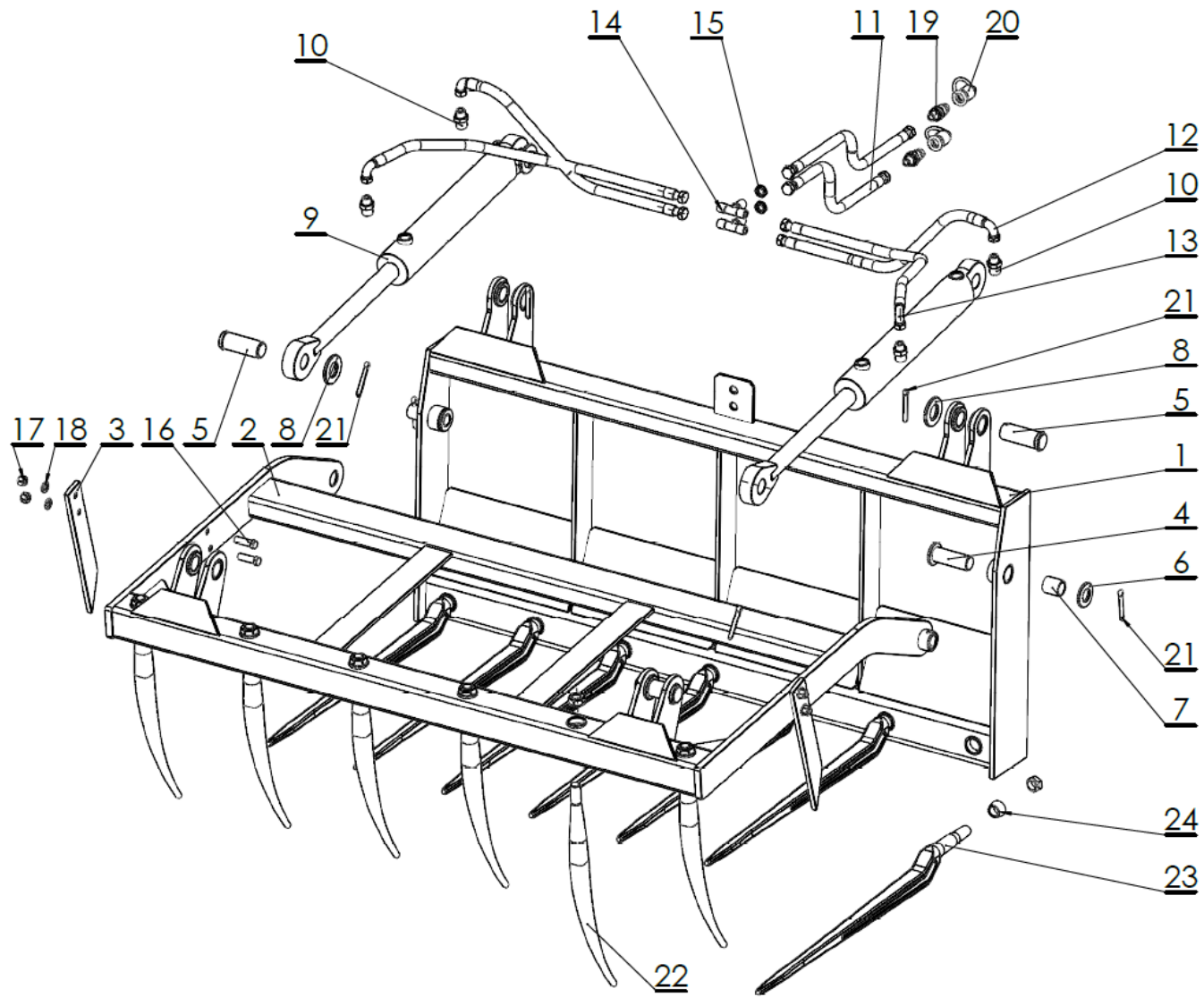
No.	Part or assembly name	Fig. or index No.			
		OL.KR 1.2	Qty	OL.KR 1.2 E	Qty
1	Welded frame	OL.KR 1.2 01.00.00	1	OL.KR 1.2 01.00.00.2E	1
2	Movable frame	OL.KR 1.2 02.00.00	1	OL.KR 1.2 02.00.00	1
3	Side pin	OL.KR 00.00.03	2	OL.KR 00.00.03	2
4	Frame pin set	OL.KR 00.04.00.1	2	OL.KR 00.04.00.1	2
5	Cylinder pin	OL.KR 00.00.05.1	2	OL.KR 00.00.05.1	2
6	Round washer 31	23P30OOC	2	23P30OOC	2
7	Self-lubricating sleeve	POD-LOZ-000115	2	POD-LOZ-000115	2
8	Round washer 36	23P36OOC	2	23P36OOC	2
9	Hydraulic cylinder	24SCJ2F63/36/320Z	1	24SCJ2F63/36/320Z	1
10	Straight connector	24KP22/18	2	24KP22/18	2
11	Flexible hydraulic hose	24PAA90/111/10 L-1500	1	24PA90A10-2000 10/13	1
12	Flexible hydraulic hose	24PA90A10-2000 10/13	1	24PAA90-10-2500	1
13	Bolt M12 × 45	23S12/45OC	4	23S12/45OC	4
14	Self locking nut M12	23NS12OC	4	23NS12OC	4
15	Round washer 13	23P12OC	4	23P12OC	4
16	Euro valve-plug	24ZWE13-M18X1.5	2	24ZWE13-M18X1.5	2
17	Plug valve adapter	24ZWNE13	2	24ZWNE13	2
18	Cotter pin 6.3 × 63	23Z6/63	4	23Z6/63	4
19	Bent pin	25PW	5	25PW	5
20	Straight pin	25PWW880	6	25PWW880	6

No.	Part or assembly name	Fig. or index No.			
		OL.KR 1.5	Qty	OL.KR 1.5 E	Qty
1	Welded frame	OL.KR 1.5 01.00.00	1	OL.KR 1.5 01.00.00.2E	1
2	Movable frame	OL.KR 1.5 02.00.00	1	OL.KR 1.5 02.00.00	1
3	Side pin	OL.KR 00.00.03	2	OL.KR 00.00.03	2
4	Frame pin set	OL.KR 00.04.00.1	2	OL.KR 00.04.00.1	2
5	Cylinder pin	OL.KR 00.00.05.1	2	OL.KR 00.00.05.1	2
6	Round washer 31	23P30OOC	2	23P30OOC	2
7	Self-lubricating sleeve	POD-LOZ-000115	2	POD-LOZ-000115	2
8	Round washer 36	23P36OOC	2	23P36OOC	2
9	Hydraulic cylinder	24SCJ2F63/36/320Z	1	24SCJ2F63/36/320Z	1
10	Straight connector	24KP22/18	2	24KP22/18	2
11	Flexible hydraulic hose	24PAA90/111/10 L-1500	1	24PA90A10-2000 10/13	1
12	Flexible hydraulic hose	24PA90A10-2000 10/13	1	24PAA90-10-2500	1
13	Bolt M12 × 45	23S12/45OC	4	23S12/45OC	4
14	Self locking nut M12	23NS12OC	4	23NS12OC	4
15	Round washer 13	23P12OC	4	23P12OC	4
16	Euro valve-plug	24ZWE13-M18X1.5	2	24ZWE13-M18X1.5	2
17	Plug valve adapter	24ZWNE13	2	24ZWNE13	2
18	Cotter pin 6.3 × 63	23Z6/63	4	23Z6/63	4
19	Bent pin	25PW	6	25PW	6
20	Straight pin	25PWW880	7	25PWW880	7

No.	Part or assembly name	Fig. or index No.			
		OL.KR 1.8	Qty	OL.KR 1.8 E	Qty
1	Welded frame	OL.KR 1.8 01.00.00	1	OL.KR 1.8 01.00.00.2E	1
2	Movable frame	OL.KR 1.8 02.00.00	1	OL.KR 1.8 02.00.00	1
3	Side pin	OL.KR 00.00.03	2	OL.KR 00.00.03	2
4	Frame pin set	OL.KR 00.04.00.1	2	OL.KR 00.04.00.1	2
5	Cylinder pin	OL.KR 00.00.05.1	2	OL.KR 00.00.05.1	2
6	Round washer 31	23P30OOC	2	23P30OOC	2
7	Self-lubricating sleeve	POD-LOZ-000115	2	POD-LOZ-000115	2
8	Round washer 36	23P36OOC	2	23P36OOC	2
9	Hydraulic cylinder	24SCJ2F63/36/320Z	1	24SCJ2F63/36/320Z	1
10	Straight connector	24KP22/18	2	24KP22/18	2
11	Flexible hydraulic hose	24PAA90/111/10 L-1500	1	24PA90A10-2000 10/13	1
12	Flexible hydraulic hose	24PA90A10-2000 10/13	1	24PAA90-10-2500	1
13	Bolt M12 × 45	23S12/45OC	4	23S12/45OC	4
14	Self locking nut M12	23NS12OC	4	23NS12OC	4
15	Round washer 13	23P12OC	4	23P12OC	4
16	Euro valve-plug	24ZWE13-M18X1.5	2	24ZWE13-M18X1.5	2
17	Plug valve adapter	24ZWNE13	2	24ZWNE13	2
18	Cotter pin 6.3 × 63	23Z6/63	4	23Z6/63	4
19	Bent pin	25PW	8	25PW	8
20	Straight pin	25PWW880	9	25PWW880	9

*Hydraulic hoses (item 11, item 12) are included in the following sets: POD-HPR-000155 set No. 9 - Silage grab 1500
 POD-HPR-000156 set No. 10: silage grab EURO 1200, 1500 (1 cylinder)

9. SILAGE GRAPPLE (VERSION WITH 2 CYLINDERS)



No.	Part or assembly name	Fig. or index No.			
		OL.KR 2 1.2	Qty	OL.KR 2 1.2 E	Qty
1	Welded frame	OL.KR 2 1.2 01.00.00	1	OL.KR 2 1.2 01.00.00.2E	1
2	Movable frame	OL.KR 2 1.2 02.00.00	1	OL.KR 2 1.2 02.00.00	1
3	Side pin	OL.KR 00.00.03	2	OL.KR 00.00.03	2
4	Frame pin set	OL.KR 00.04.00.1	2	OL.KR 00.04.00.1	2
5	Cylinder pin	OL.KR 00.00.05.1	4	OL.KR 00.00.05.1	4
6	Round washer 31	23P30OOC	2	23P30OOC	2
7	Self-lubricating sleeve	POD-LOZ-000115	2	POD-LOZ-000115	2
8	Round washer 36	23P36OOC	4	23P36OOC	4
9	Hydraulic cylinder	24SCJ2F63/36/320Z	2	24SCJ2F63/36/320Z	2
10	Straight connector	24KP22/18	4	24KP22/18	4
11	Flexible hydraulic hose	24PAA10-1500 10/13	2	24PAA/111/10 L-2000	2
12	Flexible hydraulic hose	POD-HPR-000233	2	POD-HPR-000233	2
13	Flexible hydraulic hose	24PAA90/111/10-700	2	24PAA90/111/10-700	2
14	Bulkhead T-connector	24KZTG18/18/18	2	24KZTG18/18/18	2
15	Locknut	24P18/1.5	2	24P18/1.5	2
16	Bolt M12 × 45	23S12/45OC	4	23S12/45OC	4
17	Self locking nut M12	23NS12OC	4	23NS12OC	4
18	Round washer 13	23P12OC	4	23P12OC	4
19	Euro valve-plug	24ZWE13-M18X1.5	2	24ZWE13-M18X1.5	2
20	Plug valve adapter	24ZWNE13	2	24ZWNE13	2
21	Cotter pin 6.3 × 63	23Z6/63	6	23Z6/63	6
22	Bent pin	25PW	5	25PW	5
23	Straight pin	25PWW880	6	25PWW880	6
24	Conical retaining sleeve	OL.KR 00.00.09	11	OL.KR 00.00.09	11

No.	Part or assembly name	Fig. or index No.			
		OL.KR 2 1.5	Qty	OL.KR 2 1.5 E	Qty
1	Welded frame	OL.KR 2 1.5 01.00.00	1	OL.KR 2 1.5 01.00.00.2E	1
2	Movable frame	OL.KR 2 1.5 02.00.00	1	OL.KR 2 1.5 02.00.00	1
3	Side pin	OL.KR 00.00.03	2	OL.KR 00.00.03	2
4	Frame pin set	OL.KR 00.04.00.1	2	OL.KR 00.04.00.1	2
5	Cylinder pin	OL.KR 00.00.05.1	4	OL.KR 00.00.05.1	4
6	Round washer 31	23P30OOC	2	23P30OOC	2
7	Self-lubricating sleeve	POD-LOZ-000115	2	POD-LOZ-000115	2
8	Round washer 36	23P36OOC	4	23P36OOC	4
9	Hydraulic cylinder	24SCJ2F63/36/320Z	2	24SCJ2F63/36/320Z	2
10	Straight connector	24KP22/18	4	24KP22/18	4
11	Flexible hydraulic hose	24PAA10-1500 10/13	2	24PAA/111/10 L-2000	2
12	Flexible hydraulic hose	POD-HPR-000233	2	POD-HPR-000233	2
13	Flexible hydraulic hose	24PAA90/111/10-700	2	24PAA90/111/10-700	2
14	Bulkhead T-connector	24KZTG18/18/18	2	24KZTG18/18/18	2
15	Locknut	24P18/1.5	2	24P18/1.5	2
16	Bolt M12 × 45	23S12/45OC	4	23S12/45OC	4
17	Self locking nut M12	23NS12OC	4	23NS12OC	4
18	Round washer 13	23P12OC	4	23P12OC	4
19	Euro valve-plug	24ZWE13-M18X1.5	2	24ZWE13-M18X1.5	2
20	Plug valve adapter	24ZWNE13	2	24ZWNE13	2
21	Cotter pin 6.3 × 63	23Z6/63	6	23Z6/63	6
22	Bent pin	25PW	6	25PW	6
23	Straight pin	25PWW880	7	25PWW880	7
24	Conical retaining sleeve	OL.KR 00.00.09	13	OL.KR 00.00.09	13

No.	Part or assembly name	Fig. or index No.			
		OL.KR 2 1.8	Qty	OL.KR 2 1.8 E	Qty
1	Welded frame	OL.KR 2 1.8 01.00.00	1	OL.KR 2 1.8 01.00.00.2E	1
2	Movable frame	OL.KR 2 1.8 02.00.00	1	OL.KR 2 1.8 02.00.00	1
3	Side pin	OL.KR 00.00.03	2	OL.KR 00.00.03	2
4	Frame pin set	OL.KR 00.04.00.1	2	OL.KR 00.04.00.1	2
5	Cylinder pin	OL.KR 00.00.05.1	4	OL.KR 00.00.05.1	4
6	Round washer 31	23P30OOC	2	23P30OOC	2
7	Self-lubricating sleeve	POD-LOZ-000115	2	POD-LOZ-000115	2
8	Round washer 36	23P36OOC	4	23P36OOC	4
9	Hydraulic cylinder	24SCJ2F63/36/320Z	2	24SCJ2F63/36/320Z	2
10	Straight connector	24KP22/18	4	24KP22/18	4
11	Flexible hydraulic hose	24PAA10-1500 10/13	2	24PAA/111/10 L-2000	2
12	Flexible hydraulic hose	POD-HPR-000233	2	POD-HPR-000233	2
13	Flexible hydraulic hose	24PAA90/111/10-700	2	24PAA90/111/10-700	2
14	Bulkhead T-connector	24KZTG18/18/18	2	24KZTG18/18/18	2
15	Locknut	24P18/1.5	2	24P18/1.5	2
16	Bolt M12 × 45	23S12/45OC	4	23S12/45OC	4
17	Self locking nut M12	23NS12OC	4	23NS12OC	4
18	Round washer 13	23P12OC	4	23P12OC	4
19	Euro valve-plug	24ZWE13-M18X1.5	2	24ZWE13-M18X1.5	2
20	Plug valve adapter	24ZWNE13	2	24ZWNE13	2
21	Cotter pin 6.3 × 63	23Z6/63	6	23Z6/63	6
22	Bent pin	25PW	8	25PW	8
23	Straight pin	25PWW880	9	25PWW880	9
24	Conical retaining sleeve	OL.KR 00.00.09	17	OL.KR 00.00.09	17

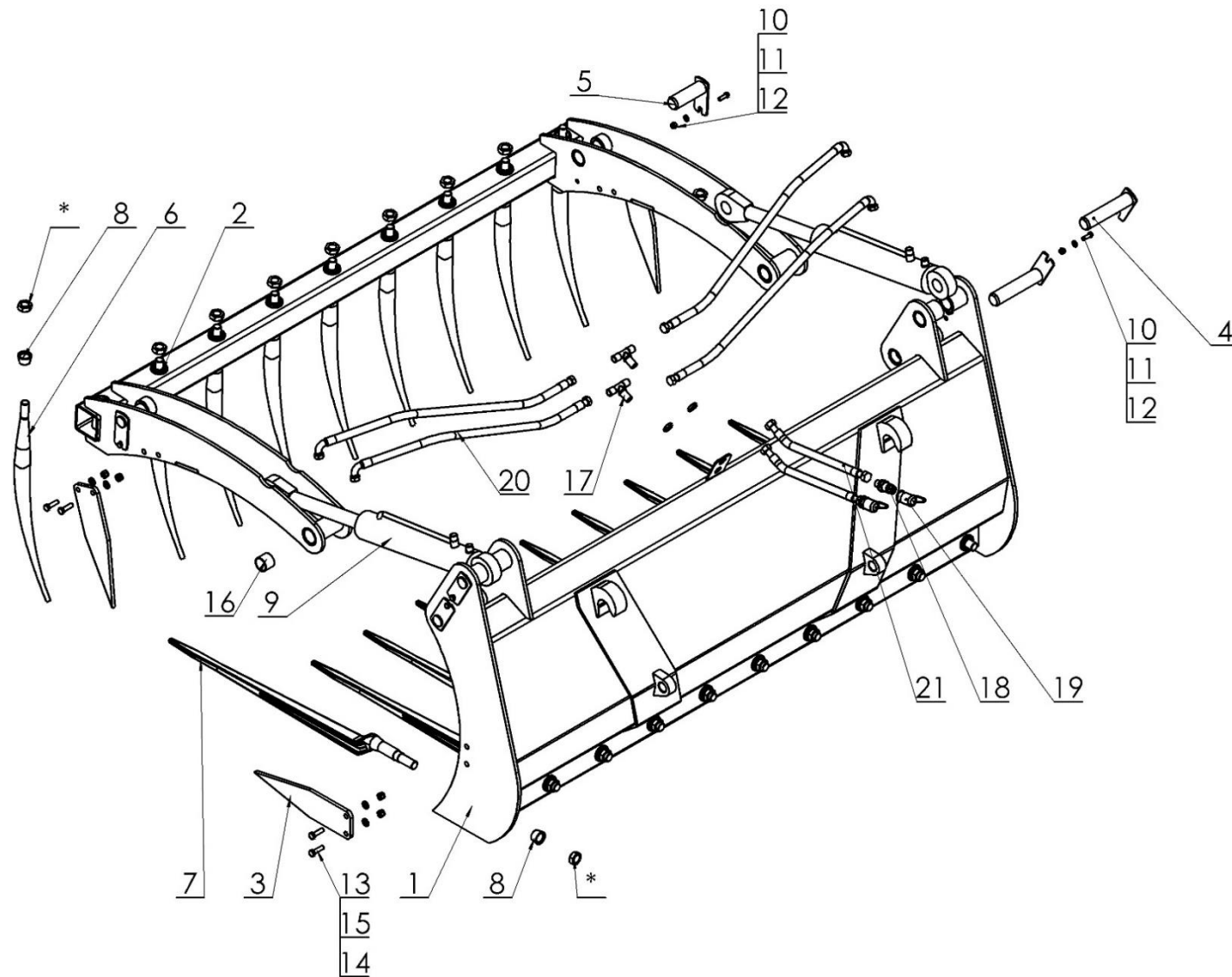
*Hydraulic hoses (Items 11-13) are included in the following sets:

POD-HPR-000234 set No. 25: silage grab 1.2–2 cylinders

POD-HPR-000162 set No. 12: Silage grab EURO 1500 (2 cylinders)

POD-HPR-000158 set No. 14: Silage grab/bucket 1800 (2 cylinders) EURO

10. SILAGE GRAPPLE MODEL Q

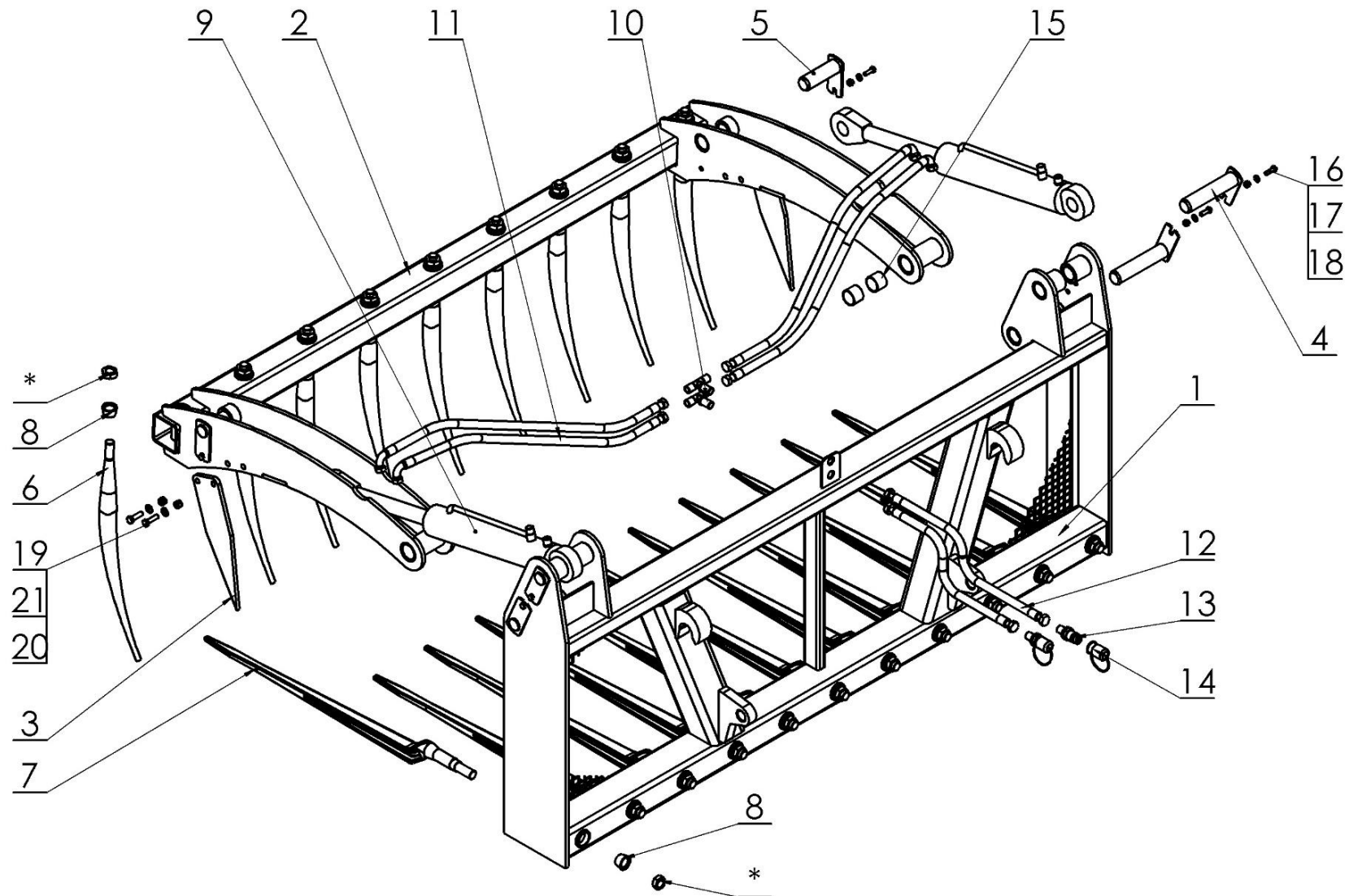


No.	Part or assembly name	Fig. or index No.					
		OL.KRQ 1.2E	Qty	OL.KRQ 1.5E	Qty	OL.KRQ 1.8E	Qty
1	Welded fixed frame	OL.KRQ 1.2 01.00.00.1E	1	OL.KRQ 1.5 01.00.00.1E	1	OL.KRQ 1.8 01.00.00.1E	1
2	Mobile top frame	OL.KRQ 1.2 02.00.00	1	OL.KRQ 1.5 02.00.00	1	OL.KRQ 1.8 02.00.00	1
3	Side pin	OL.KRQ 00.00.03	2	OL.KRQ 00.00.03	2	OL.KRQ 00.00.03	2
4	Pin I, complete	OL.KRQ 00.04.00.1	4	OL.KRQ 00.04.00.1	4	OL.KRQ 00.04.00.1	4
5	Pin II complete	OL.KRQ 00.05.00.1	2	OL.KRQ 00.05.00.1	2	OL.KRQ 00.05.00.1	2
6	Bent pin L600	25PW	6	25PW	7	25PW	9
7	Straight pin L880	25PWW880	7	25PWW880	9	25PWW880	10
8	Conical retaining sleeve	OL.KR 00.00.09	13	OL.KR 00.00.09	16	OL.KR 00.00.09	19
9	Cylinder 63/36/250	POD-HSL-000111	2	POD-HSL-000111	2	POD-HSL-000111	2
10	Bolt 8 × 25	23S8/25OC8.8	6	23S8/25OC8.8	6	23S8/25OC8.8	6
11	Round washer 8.4	23P8OOC	6	23P8OOC	6	23P8OOC	6
12	Self-locking nut, M8	23NS8OC	6	23NS8OC	6	23NS8OC	6
13	Bolt M10 × 35	23S10/35OC 8.8	8	23S10/35OC 8.8	8	23S10/35OC 8.8	8
14	Round washer 10.5	23P10 82005	8	23P10 82005	8	23P10 82005	8
15	Self-locking nut, M10	23NS10OC	8	23NS10OC	8	23NS10OC	8
16	Sleeve PAP 3530 P20	POD-LOZ-000164	4	POD-LOZ-000164	4	POD-LOZ-000164	4
17	Bulkhead T-connector 3 x M18 × 15	24KZTG18/18/18	2	24KZTG18/18/18	2	24KZTG18/18/18	2
18	Euro valve-plug M18 × 1.5	24ZWE13-M18X1.5	2	24ZWE13-M18X1.5	2	24ZWE13-M18X1.5	2
19	Plug valve adapter	24ZWNE13	2	24ZWNE13	2	24ZWNE13	2

No.	Part or assembly name	Fig. or index No.					
		OL.KRQ 1.2E	Qty	OL.KRQ 1.5E	Qty	OL.KRQ 1.8E	Qty
20	Flexible hydraulic hose	A90A/111/10-600	4	A90A/111/10-750	4	A90A/111/10-900	4
21	Flexible hydraulic hose	AA/111/10-2000	2	AA/111/10-2000	2	AA/111/10-2000	2

*Hydraulic hoses (item 20, item 21) are included in the following sets: POD-HPR-000430 set No. 56: OŁ.KRQ grab 1.2 m
 POD-HPR-000433 set No. 56-1: OŁ.KRQ grab 1.5 m
 POD-HPR-000439 set No. 56-2: OŁ.KRQ grab 1.8 m

11. SILAGE GRAPPLE MODEL Z



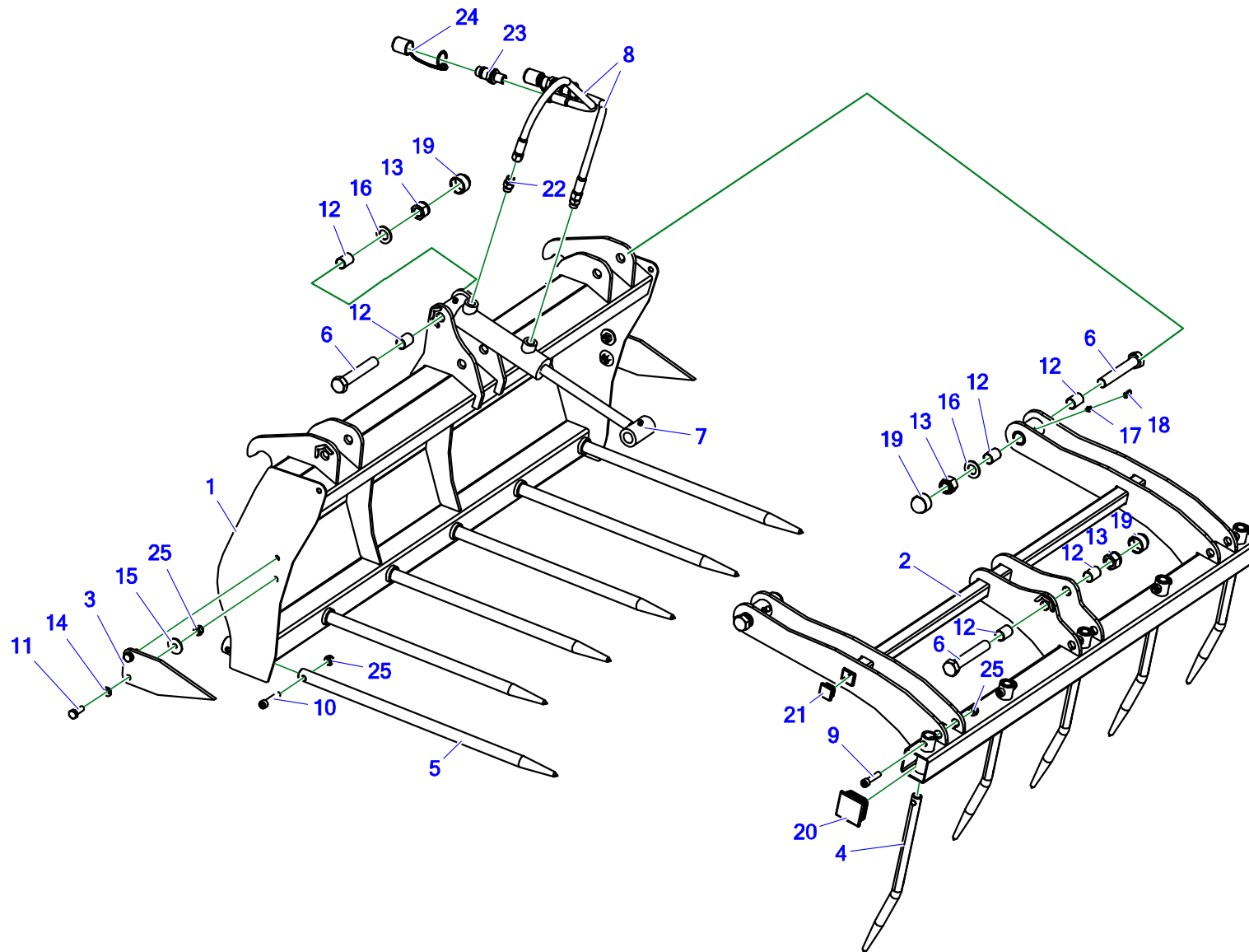
No.	Part or assembly name	Fig. or index No.					
		OL.KRZ 1.2E	Qty	OL.KRZ 1.5E	Qty	OL.KRZ 1.8E	Qty
1	Welded fixed frame	OL.KRZ 1.2 01.00.00.2E	1	OL.KRZ 1.5 01.00.00.2E	1	OL.KRZ 1.8 01.00.00.2E	1
2	Mobile top frame	OL.KRQ 1.2 02.00.00	1	OL.KRQ 1.5 02.00.00	1	OL.KRQ 1.8 02.00.00	1
3	Side pin	OL.KRQ 00.00.03	2	OL.KRQ 00.00.03	2	OL.KRQ 00.00.03	2
4	Pin I, complete	OL.KRQ 00.04.00.1	4	OL.KRQ 00.04.00.1	4	OL.KRQ 00.04.00.1	4
5	Pin II complete	OL.KRQ 00.05.00.1	2	OL.KRQ 00.05.00.1	2	OL.KRQ 00.05.00.1	2
6	Bent pin L600	25PW	6	25PW	7	25PW	9
7	Straight pin L880	25PWW880	7	25PWW880	9	25PWW880	11
8	Conical retaining sleeve	OL.KR 00.00.09	13	OL.KR 00.00.09	16	OL.KR 00.00.09	20
9	Cylinder 63/36/250	POD-HSL-000111	2	POD-HSL-000111	2	POD-HSL-000111	2
10	Bulkhead T-connector 3 × M18 × 15	24KZTG18/18/18	2	24KZTG18/18/18	2	24KZTG18/18/18	2
11	Flexible hydraulic hose	A90A/111/10-600	4	A90A/111/10-750	4	A90A/111/10-900	4
12	Flexible hydraulic hose	AA/111/10-2000	2	AA/111/10-2000	2	AA/111/10-2000	2
13	Euro valve-plug M18 × 1.5	24ZWE13-M18X1.5	2	24ZWE13-M18X1.5	2	24ZWE13-M18X1.5	2
14	Plug valve adapter	24ZWNE13	2	24ZWNE13	2	24ZWNE13	2
15	Sleeve PAP 3530 P20	POD-LOZ-000164	4	POD-LOZ-000164	4	POD-LOZ-000164	4
16	Bolt 8 × 25	23S8/25OC8.8	6	23S8/25OC8.8	6	23S8/25OC8.8	6
17	Round washer 8.4	23P8OOC	6	23P8OOC	6	23P8OOC	6
18	Self-locking nut, M8	23NS8OC	6	23NS8OC	6	23NS8OC	6
19	Bolt M10 × 35	23S10/35OC 8.8	4	23S10/35OC 8.8	4	23S10/35OC 8.8	4
20	Round washer 10.5	23P10 82005	4	23P10 82005	4	23P10 82005	4

No.	Part or assembly name	Fig. or index No.					
		OL.KRZ 1.2E	Qty	OL.KRZ 1.5E	Qty	OL.KRZ 1.8E	Qty
21	Self-locking nut, M10	23NS10OC	4	23NS10OC	4	23NS10OC	4

*Hydraulic hoses (item 11, item 12) are included in the following sets:

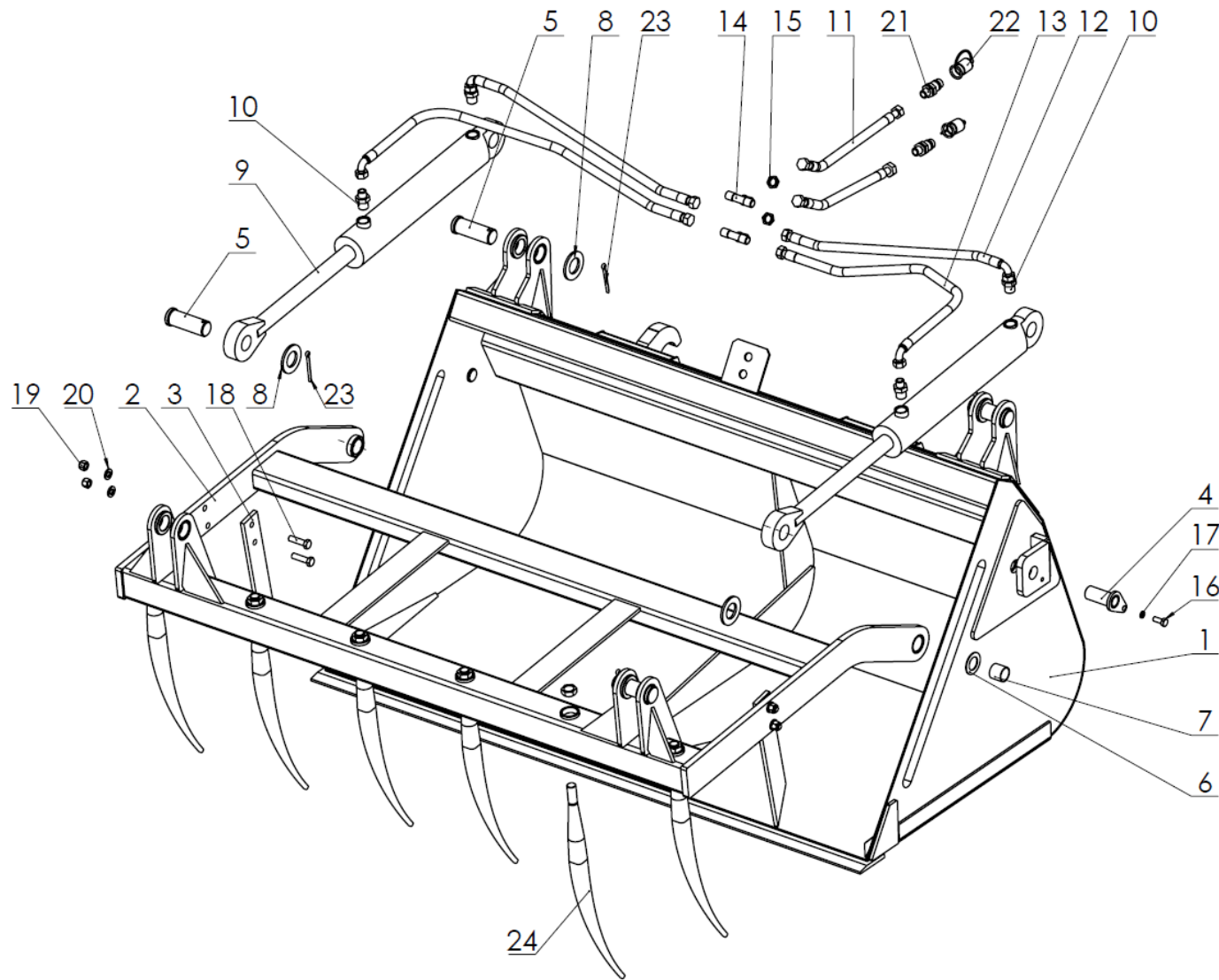
- POD-HPR-000430 set No. 56: OŁ.KRQ grab 1.2 m
- POD-HPR-000433 set No. 56-1: OŁ.KRQ grab 1.5 m
- POD-HPR-000439 set No. 56-2: OŁ.KRQ grab 1.8 m

12. SILAGE GRAB LIGHT 1.2 M



No.	Product name	Fig. or index No.	
		OL.KRL-1.2E	Qty
1	OL.KRL-1.2.01.00.00E	Euro welded fixed frame	1
2	OL.LCHL-1.2.02.00.00	Mobile top frame 1.2 m	1
3	OL.KRL.00.00.03	Side pin	2
4	OL.LCHL.00.00.50	Bent tine 25/400	5
5	OL.KRL.00.00.55	Straight tine 25/650	6
6	OL.LCHL.00.00.06	Pin bolt	4
7	22.40.160 L-330	Clamshell bucket cylinder OL.LCHL	1
8	AA/124/06 L-1500	AA/124/06 L-1500	2
9	POD-ELZ-000	Allen bolt 10 × 45 galv., 8.8 82302	5
10	POD-ELZ-000	Allen bolt 10 × 50 galv., 8.8 82302	6
11	23S10/30OC 8.8	Bolt 10 × 30 galv., 8.8 82105 82105	4
12	POD-LOZ-000022-1	Sleeve PAP 2030 P10	8
13	POD-ELZ-000578	Self-tapping nut m20 galv., DIN982 high	4
14	23P10 82005	Round washer 10 galv., 82005 82005	4
15	POD-ELZ-000413	Round washer 10 galv., coated 82019	4
16	23P20OOC	Round washer 20 galv., 82005 82005	4
17	23SM	Grease nipple M6 × 1.0 simple	2
18	23KOC	Red protective cap	2
19	POD-TSZ-000146	Masking plug for M20 bolts TL-608	4
20	POD-TSZ-000382	Cover plug pro. int. 60 × 60 mm black (TL-317)	2
21	POD-TSZ-000	Cover plug pro. int. 30 × 30 black (TL-308)	2
22	24KP16/16	Straight connector M16 × 1.5 - M16 × 1.5	2
23	24ZWE13-M18X1.5	Plug valve, Euro 13, M18 × 1.5	2
24	24ZWNE13	Cap for EURO valve plug 13 (green, yellow, blue, red)	2
25	23NS10OC	Self-locking nut M10 galv., 82175 8 82175 8	15

13. GRAPPLE BUCKET



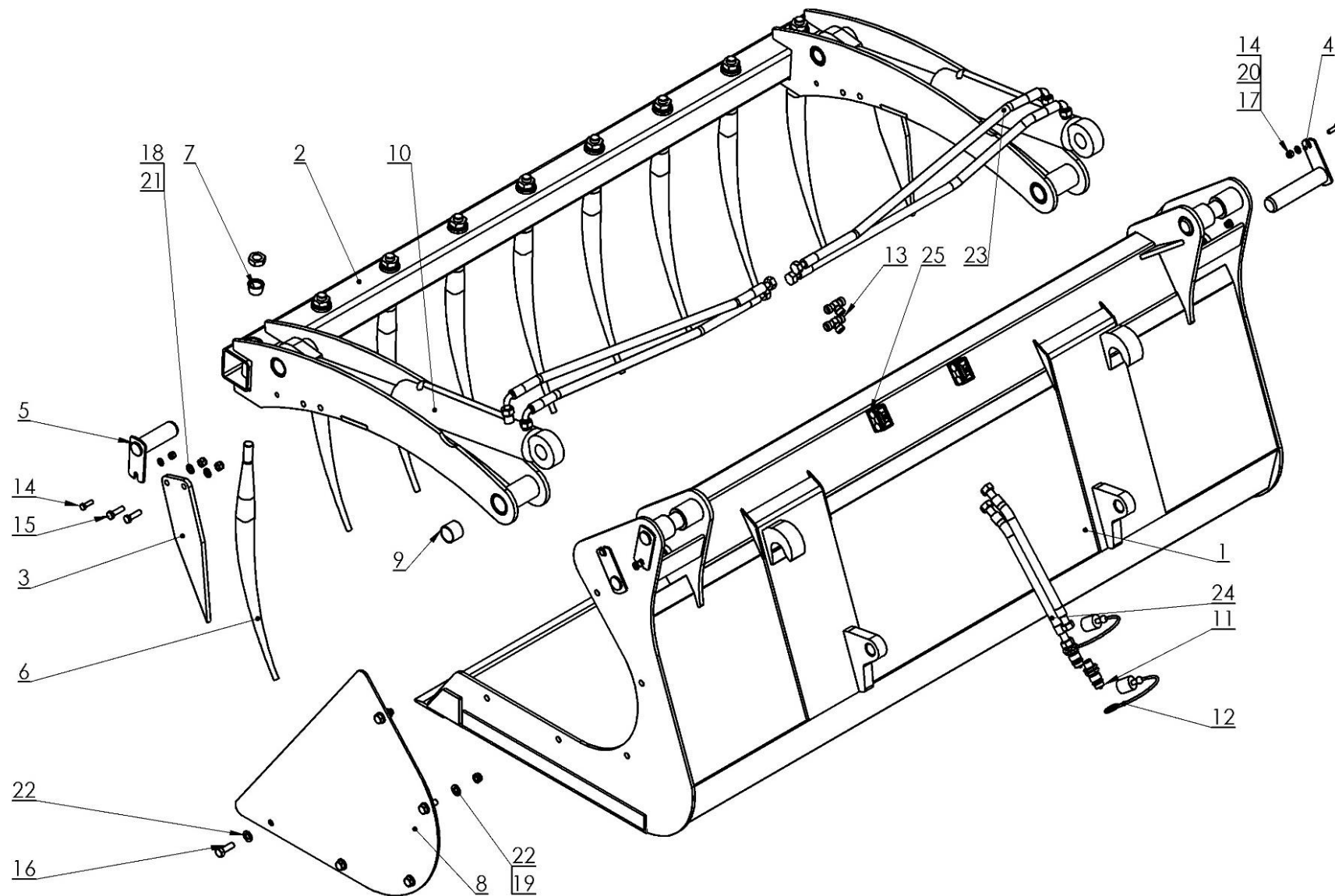
No.	Part or assembly name	Fig. or index No.							
		OL.LCH 1.5	Qty	OL.LCH 1.5 E	Qty	OL.LCH 1.8	Qty	OL.LCH 1.8E	Qty
1	Welded bucket	OL.LCH 1.5 01.00.00.1	1	OL.LCH 1.5 01.00.00.3E	1	OL.LCH 1.8 01.00.00.1	1	OL.LCH 1.8 01.00.00.3E	1
2	Movable frame	OL.LCH 1.5 02.00.00E	1	OL.LCH 1.5 02.00.00E	1	OL.LCH 1.8 02.00.00E	1	OL.LCH 1.8 02.00.00E	1
3	Side pin	OL.KR 00.00.03	2	OL.KR 00.00.03	2	OL.KR 00.00.03	2	OL.KR 00.00.03	2
4	Frame pin set	OL.LCh 00.05.00.1	2	OL.LCh 00.05.00.1	2	OL.LCh 00.05.00.1	2	OL.LCh 00.05.00.1	2
5	Cylinder pin	OL.KR 00.00.05.1	4	OL.KR 00.00.05.1	4	OL.KR 00.00.05.1	4	OL.KR 00.00.05.1	4
6	Special washer	OL.LCh 00.00.24	2	OL.LCh 00.00.24	2	OL.LCh 00.00.24	2	OL.LCh 00.00.24	2
7	Self-lubricating sleeve	POD-LOZ- 000112	2	POD-LOZ- 000112	2	POD-LOZ- 000112	2	POD-LOZ- 000112	2
8	Round washer 37	23P36OOC	4	23P36OOC	4	23P36OOC	4	23P36OOC	4
9	Hydraulic cylinder	24SCJ2F63/36/ 320Z	2	24SCJ2F63/36/ 320Z	2	24SCJ2F63/36/ 320Z	2	24SCJ2F63/36/3 20Z	2
10	Straight connector	24KP22/18	4	24KP22/18	4	24KP22/18	4	24KP22/18	4
11	Flexible hydraulic hose	24PAA10-1500 10/13	2	24PAA/111/10 L-2000	2	24PAA10-1500 10/13	2	24PAA/111/10 L- 2000	2
12	Flexible hydraulic hose	24PAA90/111/1 0-700	2	24PAA90/111/10 -700	2	24PAA90/111/10 L-800	2	24PAA90/111/10 L-800	2
13	Flexible hydraulic hose	24PA90A10- 1050	2	24PA90A10- 1050	2	24PAA90/111/10 -L1100	2	24PAA90/111/10 -L1100	2
14	Bulkhead T-connector	24KZTG18/18/1 8	2	24KZTG18/18/1 8	2	24KZTG18/18/1 8	2	24KZTG18/18/1 8	2
15	Locknut	24P18/1.5	2	24P18/1.5	2	24P18/1.5	2	24P18/1.5	2
16	Bolt M10 × 25	23S10/25OC 8.8	2	23S10/25OC 8.8	2	23S10/25OC 8.8	2	23S10/25OC 8.8	2

No.	Part or assembly name	Fig. or index No.							
		OL.LCH 1.5	Qty	OL.LCH 1.5 E	Qty	OL.LCH 1.8	Qty	OL.LCH 1.8E	Qty
17	Round washer 10.5	23P10 82005	2	23P10 82005	2	23P10 82005	2	23P10 82005	2
18	Bolt M12 × 45	23S12/45OC	4	23S12/45OC	4	23S12/45OC	4	23S12/45OC	4
19	Self locking nut M12	23NS12OC	4	23NS12OC	4	23NS12OC	4	23NS12OC	4
20	Round washer 13	23P12OC	4	23P12OC	4	23P12OC	4	23P12OC	4
21	Euro valve-plug	24ZWE13-M18X1.5	2	24ZWE13-M18X1.5	2	24ZWE13-M18X1.5	2	24ZWE13-M18X1.5	2
22	Plug valve adapter	24ZWNE13	2	24ZWNE13	2	24ZWNE13	2	24ZWNE13	2
23	Cotter pin 6.3 × 63	23Z6/63	4	23Z6/63	4	23Z6/63	4	23Z6/63	4
24	Bent pin	25PW	6	25PW	6	25PW	8	25PW	8

*Hydraulic hoses (items 11-13) are included in the following sets:

POD-HPR-000162 set No. 12: Silage grab EURO 1500 (2 cylinders)
 POD-HPR-000163 set No. 11: silage grab 1500 standard (2 cylinders)
 POD-HPR-000158 set No. 14: Silage grab/bucket 1800 EURO (2 cylinders)
 POD-HPR-000157 set No. 13: Silage grab/bucket 1800 (2 cylinders)

14. GRAPPLE BUCKET MODEL "Q"

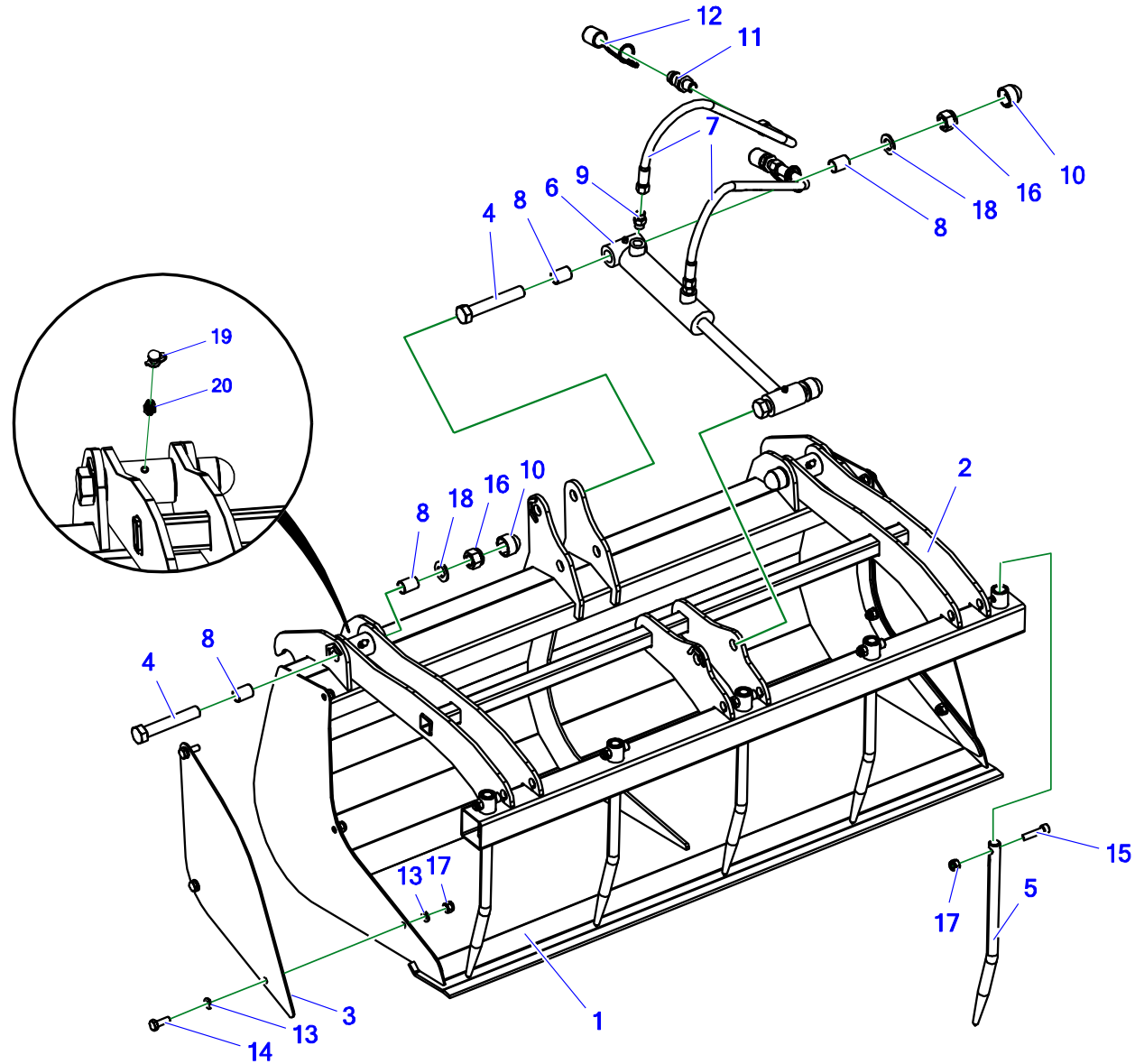


No.	Part or assembly name	Fig. or index No.							
		OL.LCHQ 1.5	Qty	OL.LCHQ 1.8	Qty	OL.LCHQ 2.0	Qty	OL.LCHQ 2.2	Qty
1	Welded fixed bucket	OL.LCHQ 1.5 01.00.00.1E	1	OL.LCHQ 1.8 01.00.00.1E	1	OL.LCHQ 2.0 01.00.00E	1	OL.LCHQ 2.2 01.00.00E	1
2	Mobile top frame	OL.KRQ 1.5 02.00.00	1	OL.KRQ 1.8 02.00.00	1	OL.KRQ 2.0 02.00.00	1	OL.KRQ 2.2 02.00.00	1
3	Side pin	OL.KRQ 00.00.03	2	OL.KRQ 00.00.03	2	OL.KRQ 00.00.03	2	OL.KRQ 00.00.03	2
4	Pin I, complete	OL.KRQ 00.04.00.1	4	OL.KRQ 00.04.00.1	4	OL.KRQ 00.04.00.1	4	OL.KRQ 00.04.00.1	4
5	Pin II complete	OL.KRQ 00.05.00.1	2	OL.KRQ 00.05.00.1	2	OL.KRQ 00.05.00.1	2	OL.KRQ 00.05.00.1	2
6	Bent pin L600	25PW	7	25PW	9	25PW	9	25PW	10
7	Conical retaining sleeve	OL.KR 00.00.09	7	OL.KR 00.00.09	9	OL.KR 00.00.09	9	OL.KR 00.00.09	10
8	Screw-mounted side panel	OL.LCHQ 00.00.10	2	OL.LCHQ 00.00.10	2	OL.LCHQ 00.00.10	2	OL.LCHQ 00.00.10	2
9	Sleeve PAP 3530 P20	POD-LOZ- 000164	4	POD-LOZ- 000164	4	POD-LOZ-000164	4	POD-LOZ-000164	4
10	Cylinder 63/36/250	POD-HSL- 000111	2	POD-HSL- 000111	2	POD-HSL-000111	2	POD-HSL-000111	2
11	Euro valve-plug M18 × 1.5	24ZWE13- M18X1.5	2	24ZWE13- M18X1.5	2	24ZWE13- M18X1.5	2	24ZWE13- M18X1.5	2
12	Plug valve adapter	24ZWNE13	2	24ZWNE13	2	24ZWNE13	2	24ZWNE13	2
13	T-connector 18 × 18 × 18 12L	24KT18/18/18	2	24KT18/18/18	2	24KT18/18/18	2	24KT18/18/18	2
14	Bolt 8 × 25	23S8/25OC8.8	6	23S8/25OC8.8	6	23S8/25OC8.8	6	23S8/25OC8.8	6
15	Bolt M10 × 35	23S10/35OC 8.8	4	23S10/35OC 8.8	4	23S10/35OC 8.8	4	23S10/35OC 8.8	4
16	Bolt 12 × 35	23S12/35OC 8.8	10	23S12/35OC 8.8	10	23S12/35OC 8.8	10	23S12/35OC 8.8	10

No.	Part or assembly name	Fig. or index No.							
		OL.LCHQ 1.5	Qty	OL.LCHQ 1.8	Qty	OL.LCHQ 2.0	Qty	OL.LCHQ 2.2	Qty
17	Self-locking nut M8	23NS8OC	6	23NS8OC	6	23NS8OC	6	23NS8OC	6
18	Self-locking nut M10	23NS10OC	4	23NS10OC	4	23NS10OC	4	23NS10OC	4
19	Self-locking nut, M12	23NS12OC	10	23NS12OC	10	23NS12OC	10	23NS12OC	10
20	Round washer 8.4	23P8OOC	6	23P8OOC	6	23P8OOC	6	23P8OOC	6
21	Round washer 10.5	23P10 82005	4	23P10 82005	4	23P10 82005	4	23P10 82005	4
22	Round washer 12.5	23P12OC	20	23P12OC	20	23P12OC	20	23P12OC	20
23	Flexible hydraulic hose	A90A/111/10-750	4	A90A/111/10-900	4	A90A/111/10-1000	4	A90A/111/10-1100	4
24	Flexible hydraulic hose	AA/111/10-2000	2	AA/111/10-2000	2	AA/111/10-2000	2	AA/111/10-2000	2
25	HBK handle diam. 18 × 2 – double	POD-HPZ-000005-1	2	POD-HPZ-000005-1	2	POD-HPZ-000005-1	4	POD-HPZ-000005-1	4

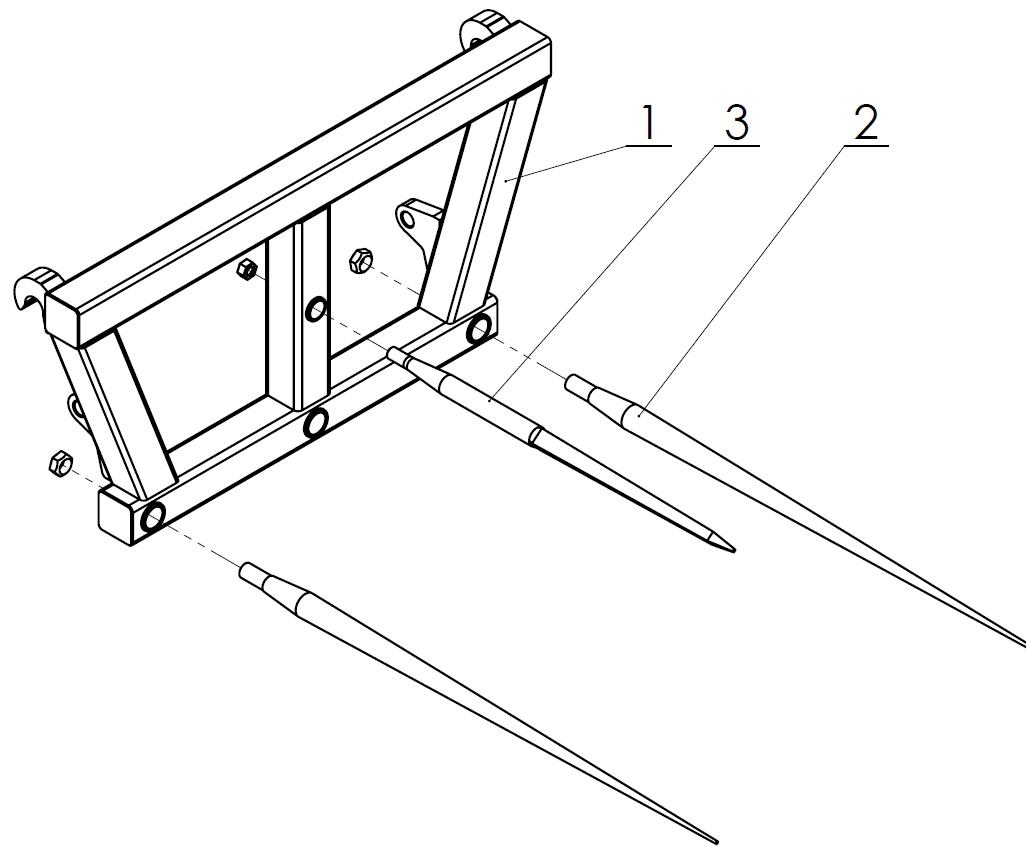
*Hydraulic hoses (item 23, item 24) are included in the following sets: POD-HPR-000433 set No. 56-1: OŁ.KRQ grab 1.5 m
 POD-HPR-000439 set No. 56-2: OŁ.KRQ grab 1.8m
 POD-HPR-000645 set No. 56-3: OŁ.KRQ grab 2.0 m
 POD-HPR-000646 set No. 56-4: OŁ.KRQ grab 2.2m

15. MINI CLAMSHELL BUCKET



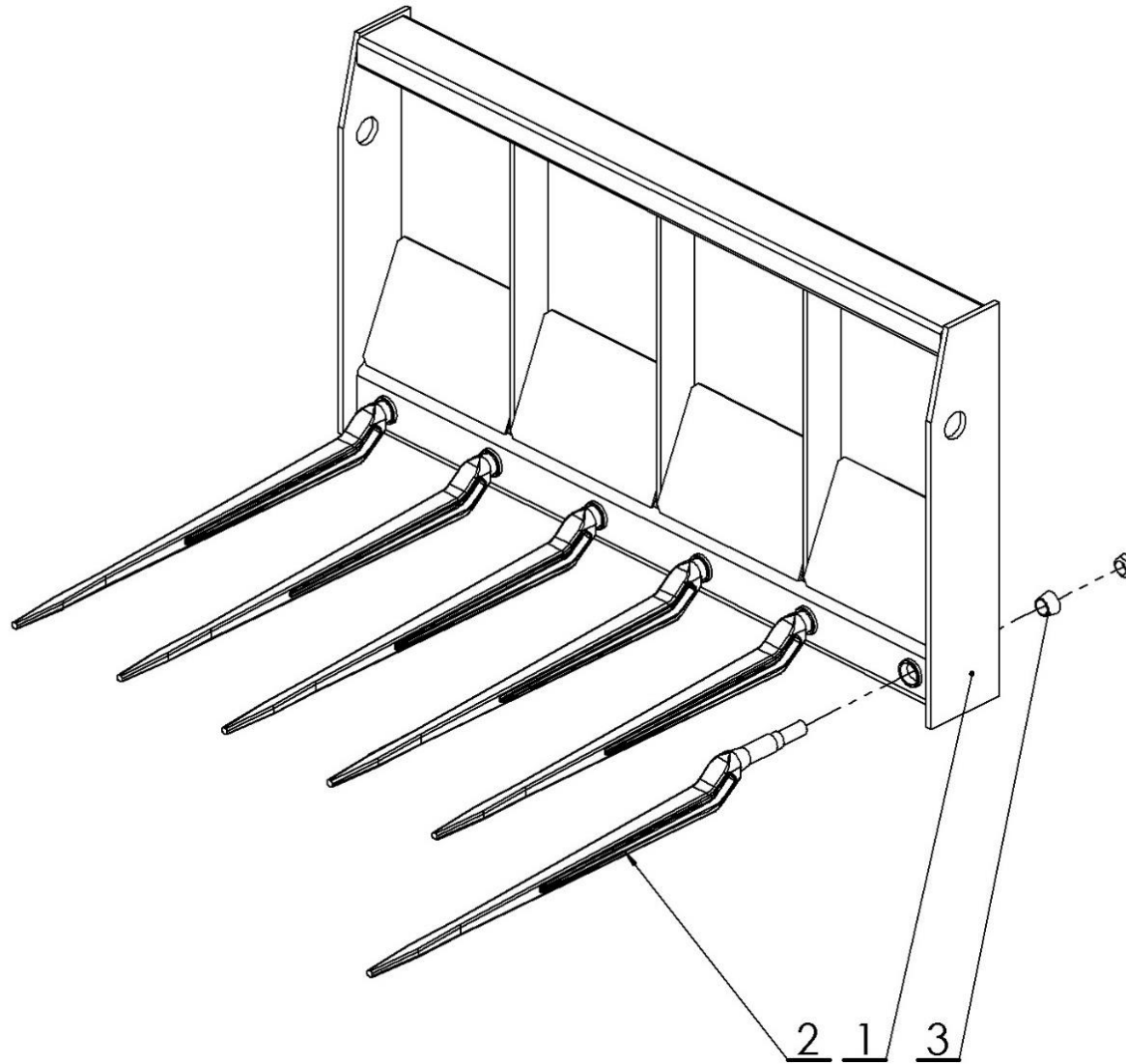
No.	Product name	Fig. or index No.	
		OL.LCHL-1.2E	Qty
1	OL.LCHL-1.2.01.00.00E	Euro welded bucket	1
2	OL.LCHL-1.2.02.00.00	Mobile top frame 1.2 m	1
3	OL.LCHL.00.00.05	Screw-on sides	2
4	OL.LCHL.00.00.06	Pin bolt	4
5	OL.LCHL.00.00.50	Bent tine 25/400	5
6	22.40.160 L-330	Clamshell bucket cylinder OL.LCHL	1
7	AA/124/06 L-1500	AA/124/06 L-1500	2
8	POD-LOZ-000022-1	Sleeve PAP 2030 P10	8
9	24KP16/16	Straight connector M16 × 1.5 - M16 × 1.5	2
10	POD-TSZ-000146	Masking plug for M20 bolts TL-608	4
11	24ZWE13-M18X1.5	Plug valve, Euro 13, M18 × 1.5	2
12	24ZWNE13	Cap for EURO valve plug 13 (green, yellow, blue, red)	2
13	23P10 82005	Round washer 10 galv., 82005 82005	12
14	23S10/30OC 8.8	Bolt 10 × 30 galv., 8.8 82105 82105	6
15	POD-ELZ-000	Allen bolt 10 × 45 galv., 8.8 82302	5
16	POD-ELZ-000578	Self-tapping nut M20 galv., DIN982 high	4
17	23NS10OC	Self-locking nut M10 galv., 82175 8 82175 8	11
18	23P20OOC	Round washer 20 galv., 82005 82005	4
19	23KOC	Red protective cap	2
20	23SM	Grease nipple M6 × 1.0 simple	2

16. BALE FORKS (STANDARD VERSION)



No.	Product name	Fig. or index No.			
		OL.WB	Qty	OL.WBE	Qty
1	Fork frame	OL.WB 01.00.00	1	OL.WB 01.00.00.2E	1
2	Straight pin L = 1100	POD-ODL-000003-1	2	POD-ODL-000003-1	2
3	Straight pin L = 800	POD-ODL-000002-1	1	POD-ODL-000002-1	1

17. MANURE AND HAY FORKS

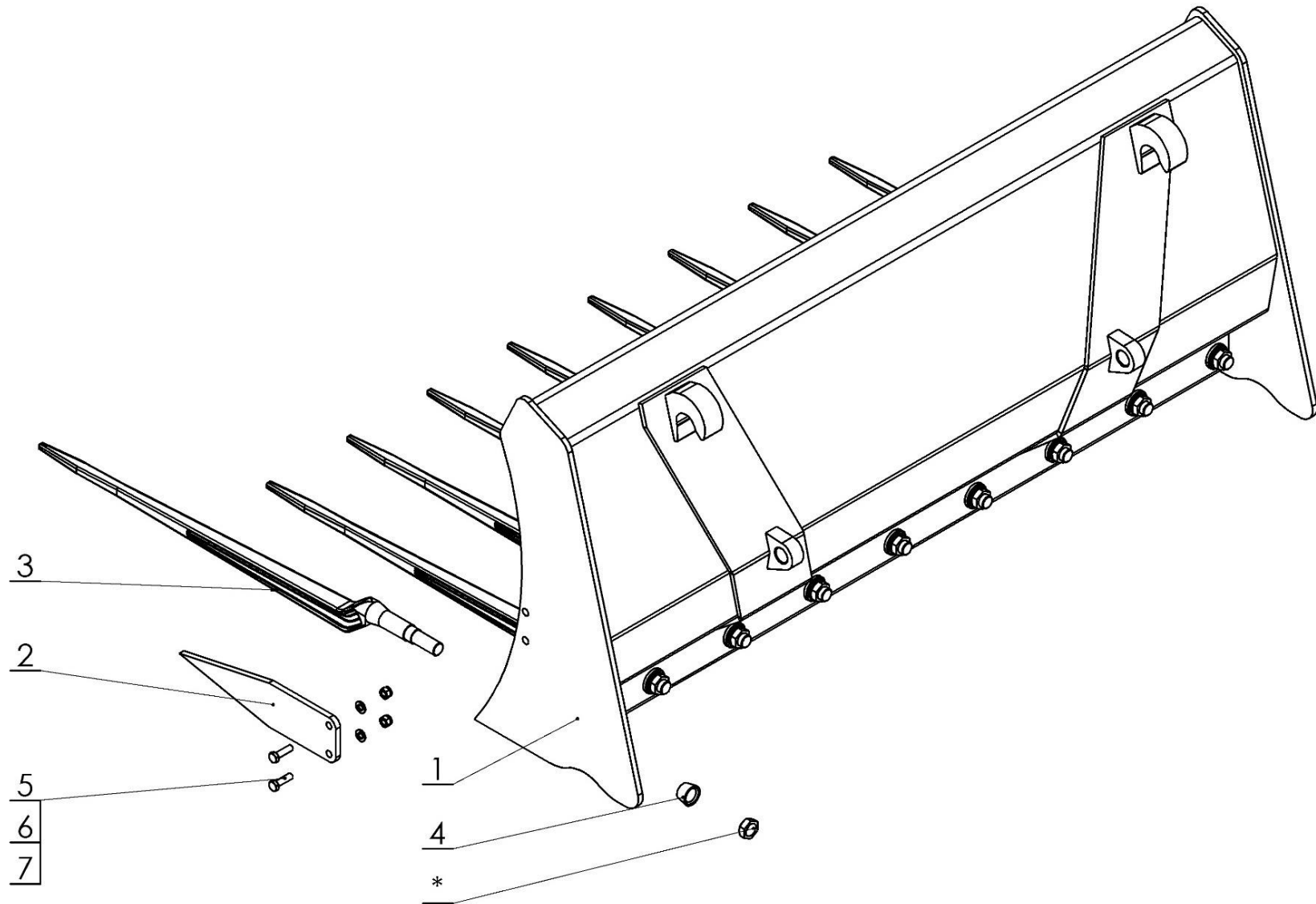


No.	Part or assembly name	Fig. or index No.			
		OL.WO 1.2	Qty	OL.WO 1.2 E	Qty
1	Welded frame	OL.WO 1.2 01.00.00	1	OL.WO 1.2 01.00.00.2E	1
2	Movable frame	OL.KR 00.00.09	1	OL.KR 00.00.09	1
3	Side pin	25PWW880	6	25PWW880	6

No.	Part or assembly name	Fig. or index No.			
		OL.WO 1.5	Qty	OL.WO 1.5 E	Qty
1	Welded frame	OL.WO 1.5 01.00.00	1	OL.WO 1.5 01.00.00.2E	1
2	Movable frame	OL.KR 00.00.09	1	OL.KR 00.00.09	1
3	Side pin	25PWW880	7	25PWW880	7

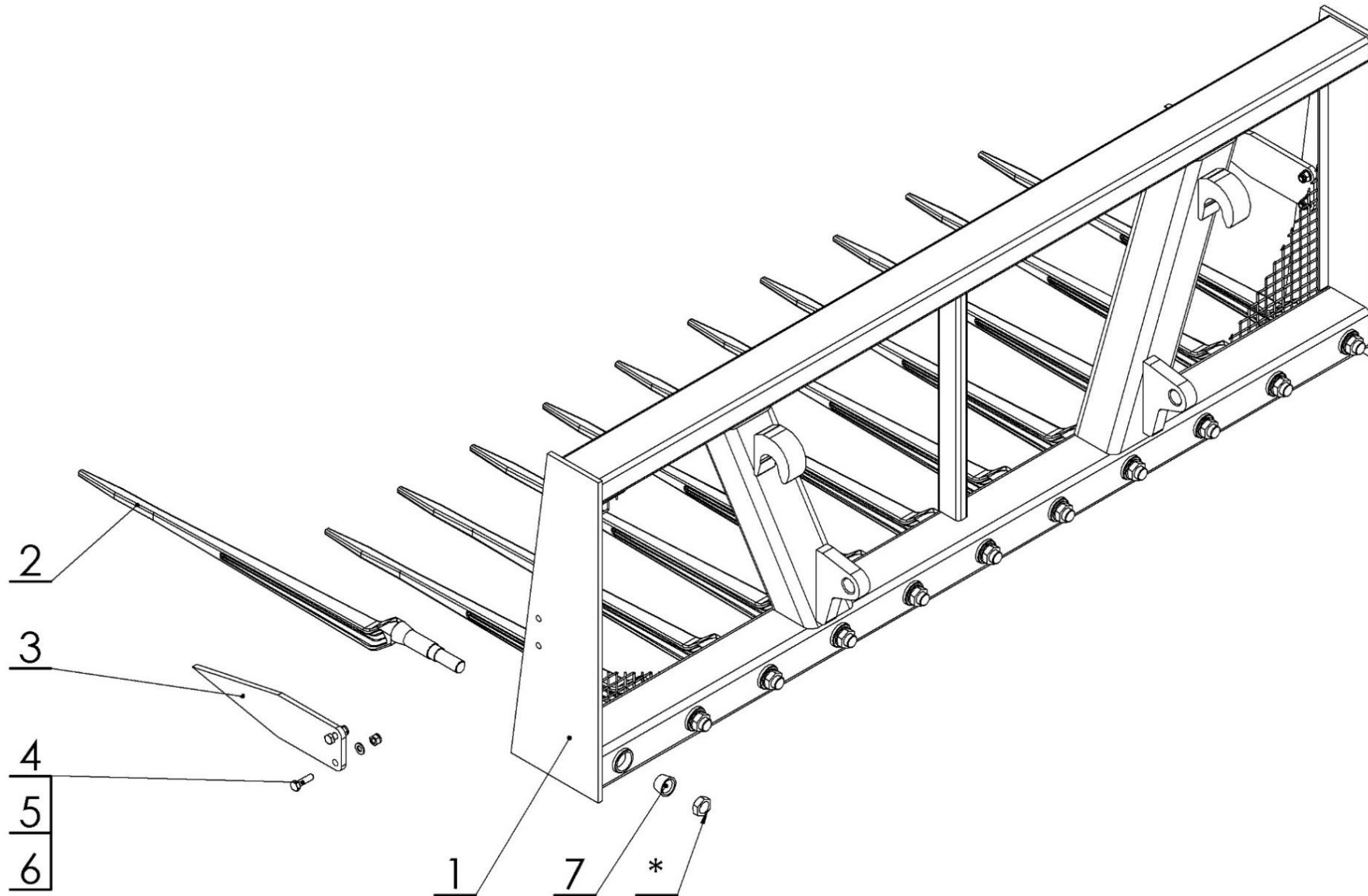
No.	Part or assembly name	Fig. or index No.			
		OL.WO 1.8	Qty	OL.WO 1.8 E	Qty
1	Welded frame	OL.WO 1.8 01.00.00	1	OL.WO 1.8 01.00.00.2E	1
2	Movable frame	OL.KR 00.00.09	1	OL.KR 00.00.09	1
3	Side pin	25PWW880	9	25PWW880	9

18. MANURE AND HAY FORK MODEL "Q"



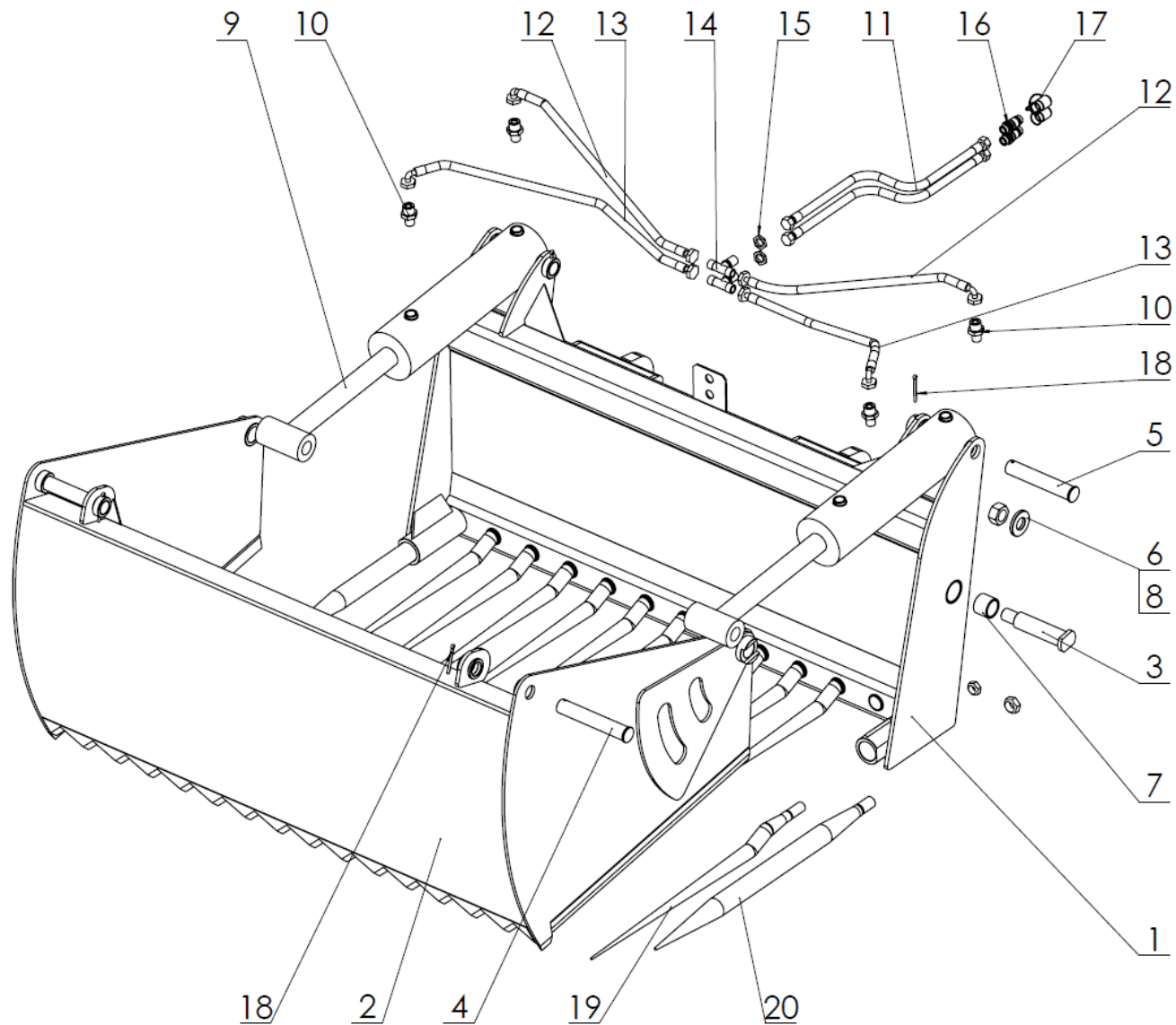
No.	Part or assembly name	Fig. or index No.					
		OL.WOQ 1.2 E	Qty	OL.WOQ 1.5 E	Qty	OL.WOQ 1.8 E	Qty
1	Bottom frame, complete	OL.WOQ 1.2 01.00.00E	1	OL.WOQ 1.5 01.00.00E	1	OL.WOQ 1.8 01.00.00E	1
2	Side pin	OL.KRQ 00.00.03	2	OL.KRQ 00.00.03	2	OL.KRQ 00.00.03	2
3	Straight pin L880	25PWW880	7	25PWW880	9	25PWW880	10
4	Conical retaining sleeve	OL.KR 00.00.09	7	OL.KR 00.00.09	9	OL.KR 00.00.09	10
5	Bolt 10 × 35	23S10/35OC 8.8	4	23S10/35OC 8.8	4	23S10/35OC 8.8	4
6	Round washer 10	23P10 82005	4	23P10 82005	4	23P10 82005	4
7	Self-locking nut, M10	23NS10OC	4	23NS10OC	4	23NS10OC	4

19. MANURE AND HAY FORK MODEL "Z"



No.	Product name	Fig. or index No.			
		OL.WOQ 1.5E	Qty	OL.WOQ 1.8E	Qty
1	Bottom frame, complete	OL.WOZ 1.5 01.00.00.2E	1	OL.WOZ 1.8 01.00.00.2E	1
2	Straight pin L880	25PWW880	9	25PWW880	11
3	Side pin	OL.KRQ 00.00.03	2	OL.KRQ 00.00.03	2
4	Bolt 10 × 35	23S10/35OC 8.8	4	23S10/35OC 8.8	4
5	Round washer 10	23P10 82005	4	23P10 82005	4
6	Self-locking nut, M10	23NS10OC	4	23NS10OC	4
7	Conical retaining sleeve	OL.KR 00.00.09	9	OL.KR 00.00.09	11

20. SILAGE CUTTER



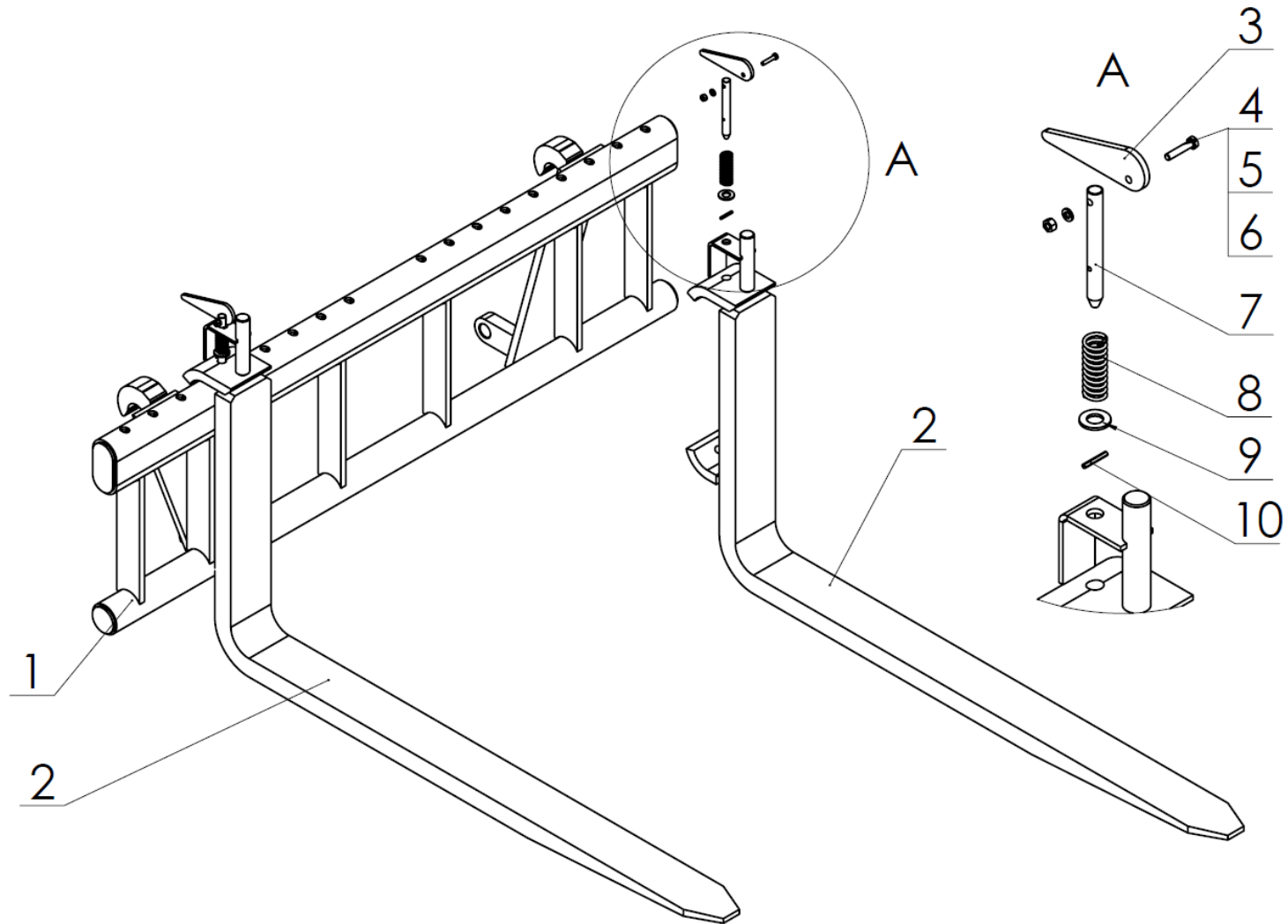
No.	Part or assembly name	Fig. or index No.							
		OL.WK 1.2	Qty	OL.WK 1.2 E	Qty	OL.WK 1.5	Qty	OL.WK 1.5 E	Qty
1	Fixed frame	OL.WK 1.2 01.00.00	1	OL.WK 1.2 01.00.00.2E	1	OL.WK 1.5 01.00.00	1	OL.WK 1.5 01.00.00.2E	1
2	Movable frame	OL.WK 1.2 02.00.00.1	1	OL.WK 1.2 02.00.00.1	1	OL.WK 1.5 02.00.00.1	1	OL.WK 1.5 02.00.00.1	1
3	Frame pin	OL.WK 1.2 00.00.03.2	2	OL.WK 1.2 00.00.03.3E	2	OL.WK 00.00.03.2	2	OL.WK 00.00.03.2	2
4	Cylinder pin I	OL.WK 1.2 00.00.04.2	2	OL.WK 1.2 00.00.04.2	2	OL.WK 00.00.04	2	OL.WK 00.00.04	2
5	Cylinder pin II	OL.WK 1.2 00.00.05.1	2	OL.WK 1.2 00.00.05.1	2	OL.WK 00.00.05.1	2	OL.WK 00.00.05.1	2
6	Washer	OL.WK 00.00.06	2	OL.WK 00.00.06	2	OL.WK 00.00.06	2	OL.WK 00.00.06	2
7	Self-lubricating sleeve	25T40/50/40	4	25T40/50/40	4	25T40/50/40	4	25T40/50/40	4
8	Self locking nut M30	POD-ELZ- 000042-1	2	POD-ELZ- 000042-1	2	POD-ELZ- 000042-1	2	POD-ELZ- 000042-1	2
9	Hydraulic cylinder	POD-HSL- 000064	2	POD-HSL- 000064	2	24SCJ-S43- 110/50/350	2	24SCJ-S43- 110/50/350	2
10	Straight connector	POD-HKR- 000084	4	POD-HKR- 000084	4	POD-HKR- 000084	4	POD-HKR- 000084	4
11	Flexible hydraulic hose	POD-HPR- 000152	2	POD-HPR- 000356	2	POD-HPR- 000152	2	POD-HPR- 000356	2
12	Flexible hydraulic hose	POD-HPR- 000376	2	POD-HPR- 000376	2	POD-HPR- 000125	2	POD-HPR- 000125	2
13	Flexible hydraulic hose	POD-HPR- 000355	2	POD-HPR- 000355	2	POD-HPR- 000151	2	POD-HPR- 000151	2
14	Bulkhead T-connector	24KT22/22/22	2	24KT22/22/22	2	24KT22/22/22	2	24KT22/22/22	2

No.	Part or assembly name	Fig. or index No.							
		OL.WK 1.2	Qty	OL.WK 1.2 E	Qty	OL.WK 1.5	Qty	OL.WK 1.5 E	Qty
15	Locknut	24P22/1.5	2	24P22/1.5	2	24P22/1.5	2	24P22/1.5	2
16	Euro valve-plug	24ZWE13	2	24ZWE13	2	24ZWE13	2	24ZWE13	2
17	Plug valve adapter	24ZWNE13	2	24ZWNE13	2	24ZWNE13	2	24ZWNE13	2
18	Cotter pin	23Z6/63	4	23Z6/63	4	23Z6/63	4	23Z6/63	4
19	Straight pin	POD-ODL-000001-1	7	POD-ODL-000001-1	7	POD-ODL-000001-1	11	POD-ODL-000001-1	11
20	Heavy-gauge straight pin	25PWW820	2	25PWW820	2	25PWW820	2	25PWW820	2

*Hydraulic hoses (items 11-13) are included in the following sets:

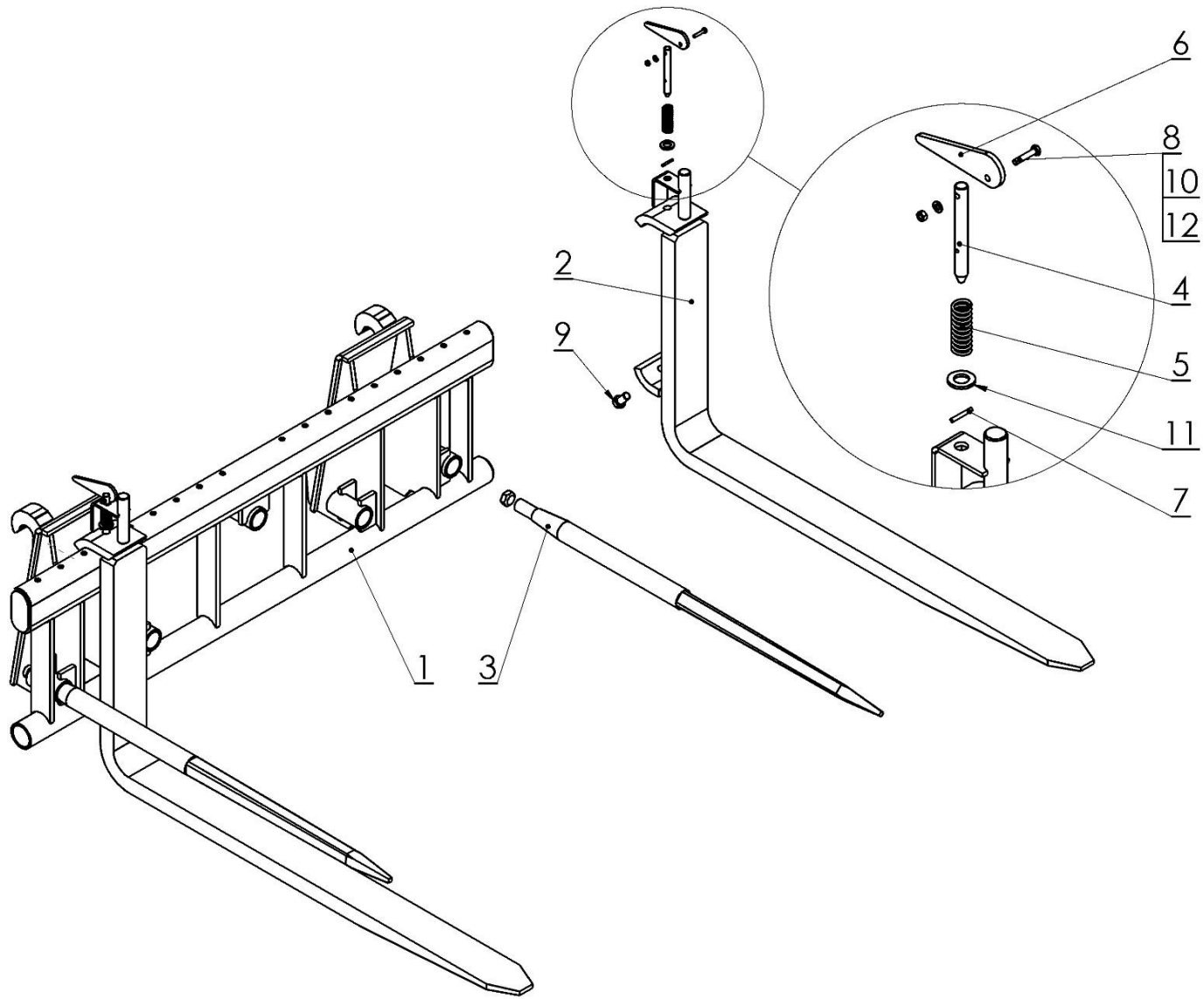
POD-HPR-000293 set No. 37: silage cutter 1.2 (standard)
 POD-HPR-000294 set No. 38: silage cutter 1.2 (euro)
 POD-HPR-000291 set No. 35: silage cutter 1.5 (standard)
 POD-HPR-000292 set No. 36: silage cutter 1.5 (euro)

21. PALLET SHUTTLE FORK



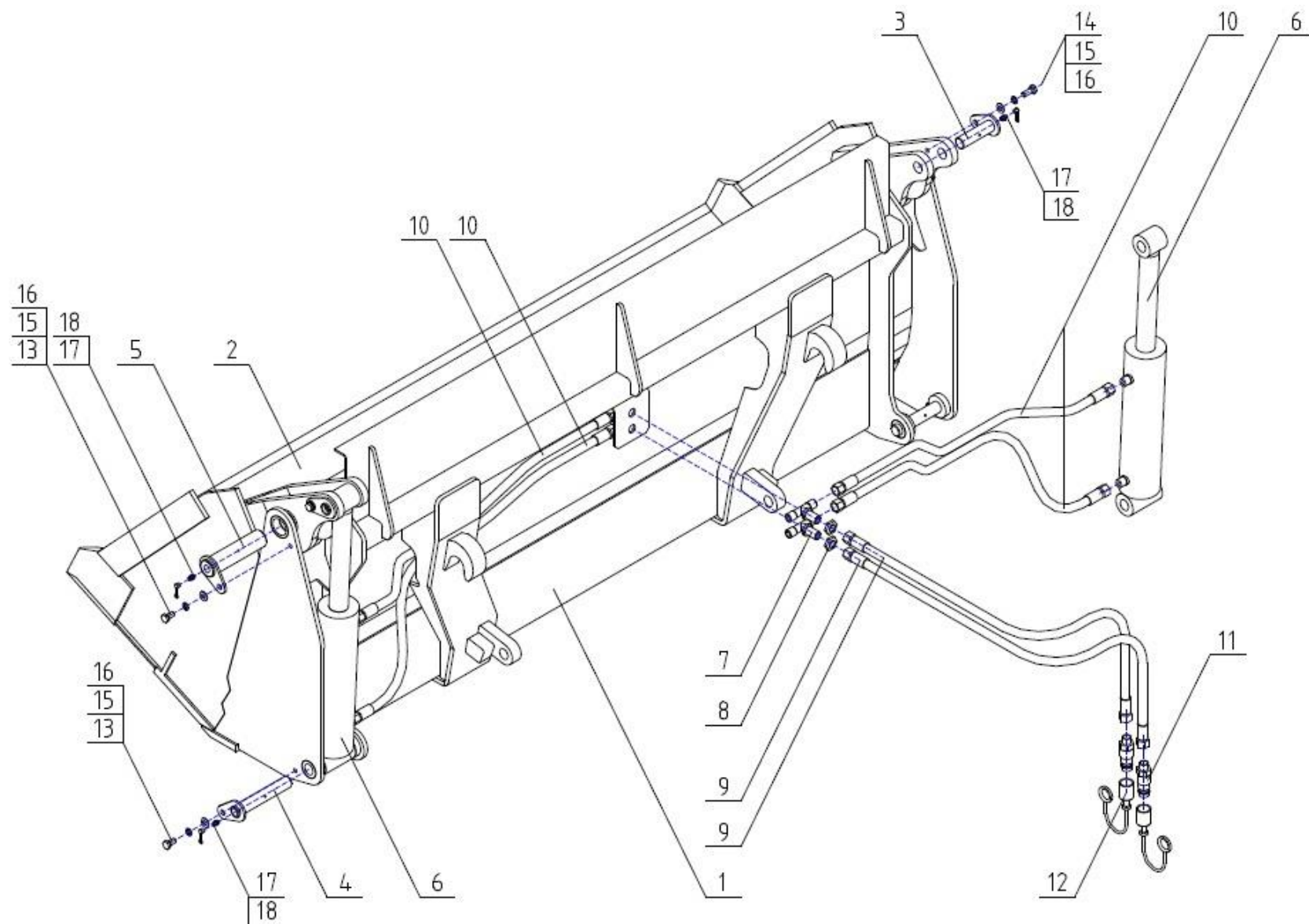
No.	Product name	Fig. or index No.			
		OL.WP1.2	Qty	OL.WP1.2E	Qty
1	Fork frame	OL.RT-01.00.00.1	1	OL.RE-01.00.00.2E	1
2	Welded grab arm	OL.LW1.2-01.01.00	2	OL.LW1.2-01.01.00	2
3	Interlock lever	OL.LW-01.00.02	2	OL.LW-01.00.02	2
4	Bolt M6 × 35	23S6/35OC	2	23S6/35OC	2
5	Round washer 6.4	23P6OOC	2	23P6OOC	2
6	Nut, M6	23NS6OC	2	23NS6OC	2
7	Interlock axle	OL.LW-01.00.03	2	OL.LW-01.00.03	2
8	Spring	23S3/22/63	2	23S3/22/63	2
9	Round washer 15	23P14OC	2	23P14OC	2
10	Spring-type straight pin	23K4/30	2	23K4/30	2

22. COMBINED PALLET SHUTTLE FORKS



No.	Product name	Fig. or index No.			
		OL.REZ 1.2 E	Qty	OL.REZ 1.4 E	Qty
1	Fork frame	OL.REZ 1.2 01.00.00.1E	1	OL.REZ-01.00.00.2E	1
2	Fork 1.2, complete	OL.LW1.2	2	OL.LW1.2	2
3	Straight pin L1100	POD-ODL-000003-1	2	POD-ODL-000003-1	2
4	Interlock axle	OL.LW-01.00.03	2	OL.LW-01.00.03	2
5	Spring	23S3/22/63	2	23S3/22/63	2
6	Interlock lever	OL.LW-01.00.02	2	OL.LW-01.00.02	2
7	Spring-type straight pin	23K4/30	2	23K4/30	2
8	Bolt M6 × 35	23S6/35OC	2	23S6/35OC	2
9	Bolt 16 × 30	23S16/30OC 5.8-B	2	23S16/30OC 5.8-B	2
10	Round washer 6.4	23P6OOC	2	23P6OOC	2
11	Round washer 15	23P14OC	2	23P14OC	2
12	Nut, M6	23NS6OC	2	23NS6OC	2

23. CLAMSHELL BUCKET FOR GRABBING AND LEVELLING



No.	Part or assembly name	Fig. or index No.			
		OL.LKO 1.8 E	Qty	OL.LKO 1.8 S	Qty
1	Euro fixed frame	OL.LKO 1.8 01.00.00.1E	1	OL.LKO 1.8 01.00.00	1
2	Movable frame	OL.LKO 1.8 02.00.00	1	OL.LKO 1.8 02.00.00	1
3	Cylinder top pin	OL.LKO 00.03.00	2	OL.LKO 00.03.00	2
4	Actuator bottom pin	OL.LKO 00.04.00	2	OL.LKO 00.04.00	2
5	Frame pivotal pin	OL.LKO 00.05.00	2	OL.LKO 00.05.00	2
6	Hydraulic piston type cylinder	POD-HSL-000099	2	POD-HSL-000099	2
7	Bulkhead T-connector M18 × 1.5	24KZTG18/18/18	2	24KZTG18/18/18	2
8	Locknut M18 × 1.5	24P18/1.5	2	24P18/1.5	2
9	Flexible hydraulic hose*	24PAA/111/10 L-1300	2	24PAA/111/10 L-1300	2
10	Flexible hydraulic hose*	AA/211/10 L-850	2	AA/211/10 L-850	2
		AA/211/10 L-950	2	AA/211/10 L-950	2
11	Euro valve-plug M18 × 1.5	24ZWE13-M18X1.5	2	24ZWE13-M18X1.5	2
12	Plug valve adapter	24ZWNE13	2	24ZWNE13	2
13	Bolt M10 × 20	23S10/20OC 8.8	4	23S10/20OC 8.8	4
14	Bolt M10 × 25	23S10/25OC 8.8	2	23S10/25OC 8.8	2
15	Spring washer 10.2	23P10SP	6	23P10SP	6
16	Spring washer 10.5	23P10 82005	6	23P10 82005	6
17	Grease nipple M10 × 1	23SM10/1	6	23SM10/1	6
18	Red protective cap	23KOC	6	23KOC	6

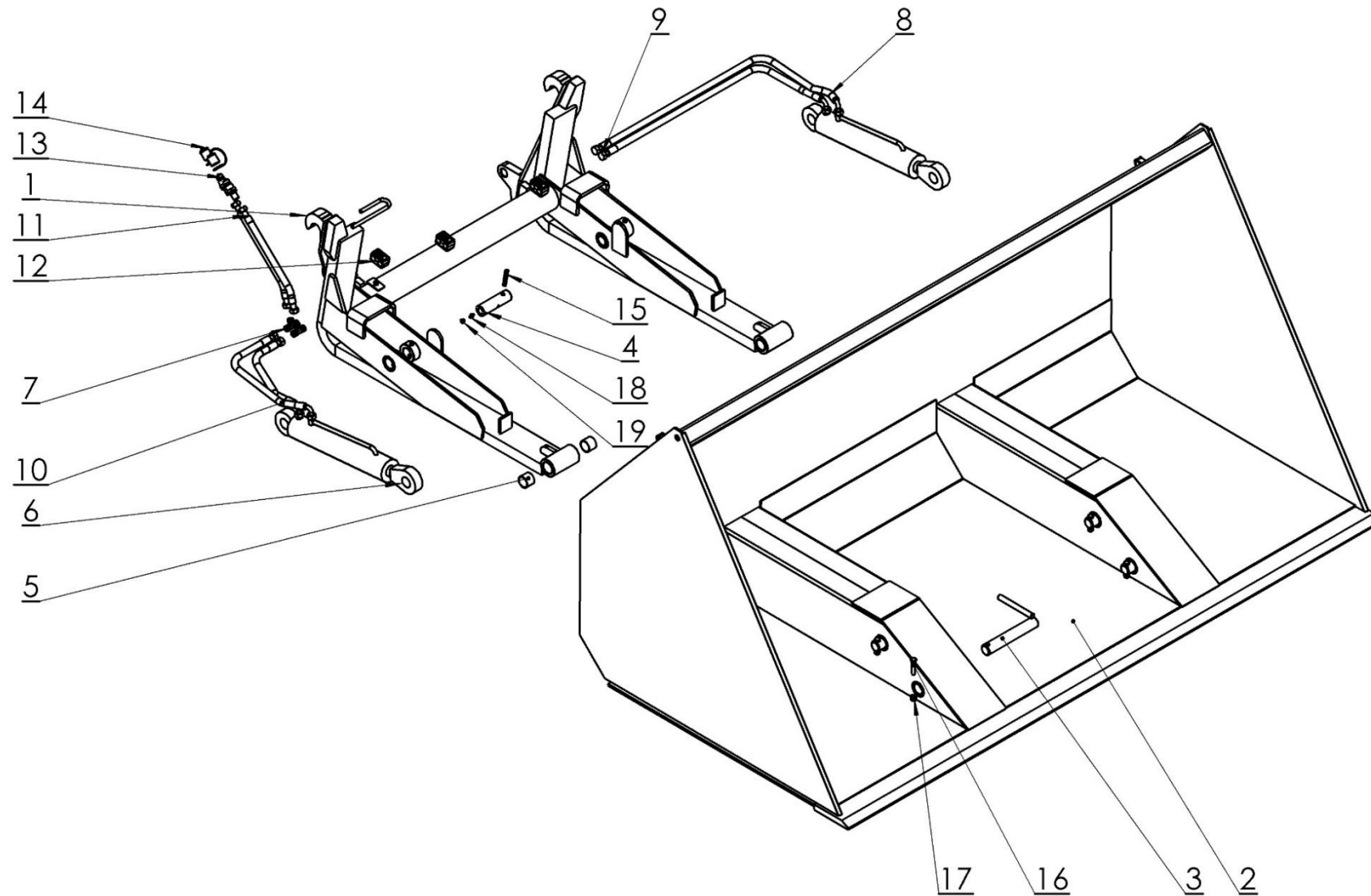
No.	Part or assembly name	Fig. or index No.			
		OL.LKO 2.0 E	Qty	OL.LKO 2.0 S	Qty
1	Euro fixed frame	OL.LKO 2.0 01.00.00.E.1	1	OL.LKO 2.0 01.00.00	1
2	Movable frame	OL.LKO 2.0 02.00.00	1	OL.LKO 2.0 02.00.00	1
3	Cylinder top pin	OL.LKO 00.03.00	2	OL.LKO 00.03.00	2
4	Actuator bottom pin	OL.LKO 00.04.00	2	OL.LKO 00.04.00	2
5	Frame pivotal pin	OL.LKO 00.05.00	2	OL.LKO 00.05.00	2
6	Hydraulic piston type cylinder	POD-HSL-000099	2	POD-HSL-000099	2
7	Bulkhead T-connector M18 × 1.5	24KZTG18/18/18	2	24KZTG18/18/18	2
8	Locknut M18 × 1.5	24P18/1.5	2	24P18/1.5	2
9	Flexible hydraulic hose*	24PAA/111/10 L-1300	2	24PAA/111/10 L-1300	2
10	Flexible hydraulic hose*	AA/211/10/L-950	2	AA/211/10/L-950	2
		AA/211/10/L-1050	2	AA/211/10/L-1050	2
11	Euro valve-plug M18 × 1.5	24ZWE13-M18X1.5	2	24ZWE13-M18X1.5	2
12	Plug valve adapter	24ZWNE13	2	24ZWNE13	2
13	Bolt M10 × 20	23S10/20OC 8.8	4	23S10/20OC 8.8	4
14	Bolt M10 × 25	23S10/25OC 8.8	2	23S10/25OC 8.8	2
15	Spring washer 10.2	23P10SP	6	23P10SP	6
16	Spring washer 10.5	23P10 82005	6	23P10 82005	6
17	Grease nipple M10 × 1	23SM10/1	6	23SM10/1	6
18	Red protective cap	23KOC	6	23KOC	6

No.	Part or assembly name	Fig. or index No.			
		OL.LKO 2.2 E	Qty	OL.LKO 2.2 S	Qty
1	Euro fixed frame	OL.LKO 2.2 01.00.00.E	1	OL.LKO 2.2 01.00.00	1
2	Movable frame	OL.LKO 2.2 02.00.00	1	OL.LKO 2.2 02.00.00	1
3	Cylinder top pin	OL.LKO 00.03.00	2	OL.LKO 00.03.00	2
4	Actuator bottom pin	OL.LKO 00.04.00	2	OL.LKO 00.04.00	2
5	Frame pivotal pin	OL.LKO 00.05.00	2	OL.LKO 00.05.00	2
6	Hydraulic piston type cylinder	POD-HSL-000099	2	POD-HSL-000099	2
7	Bulkhead T-connector M18 × 1.5	24KZTG18/18/18	2	24KZTG18/18/18	2
8	Locknut M18 × 1.5	24P18/1.5	2	24P18/1.5	2
9	Flexible hydraulic hose*	24PAA/111/10 L-1300	2	24PAA/111/10 L-1300	2
10	Flexible hydraulic hose*	AA/211/10/ L-1050	2	AA/211/10/ L-1150	2
		AA/211/10/ L-1150	2	AA/211/10/ L-1150	2
11	Euro valve-plug M18 × 1.5	24ZWE13-M18X1.5	2	24ZWE13-M18X1.5	2
12	Plug valve adapter	24ZWNE13	2	24ZWNE13	2
13	Bolt M10 × 20	23S10/20OC 8.8	4	23S10/20OC 8.8	4
14	Bolt M10 × 25	23S10/25OC 8.8	2	23S10/25OC 8.8	2
15	Spring washer 10.2	23P10SP	6	23P10SP	6
16	Spring washer 10.5	23P10 82005	6	23P10 82005	6
17	Grease nipple M10 × 1	23SM10/1	6	23SM10/1	6
18	Red protective cap	23KOC	6	23KOC	6

* Hydraulic hoses (items 9-10) are included in the following sets:

POD-HPR-000426 set No. 54: OL.LKO 1.8 E clamshell bucket
 POD-HPR-000459 set No. 54-1: OL.LKO 2.0 E clamshell bucket
 POD-HPR-000683 set No. 54-2: OL.LKO 2.2 E/2.2 S clamshell bucket

24. EURO HIGH DUMP BUCKET

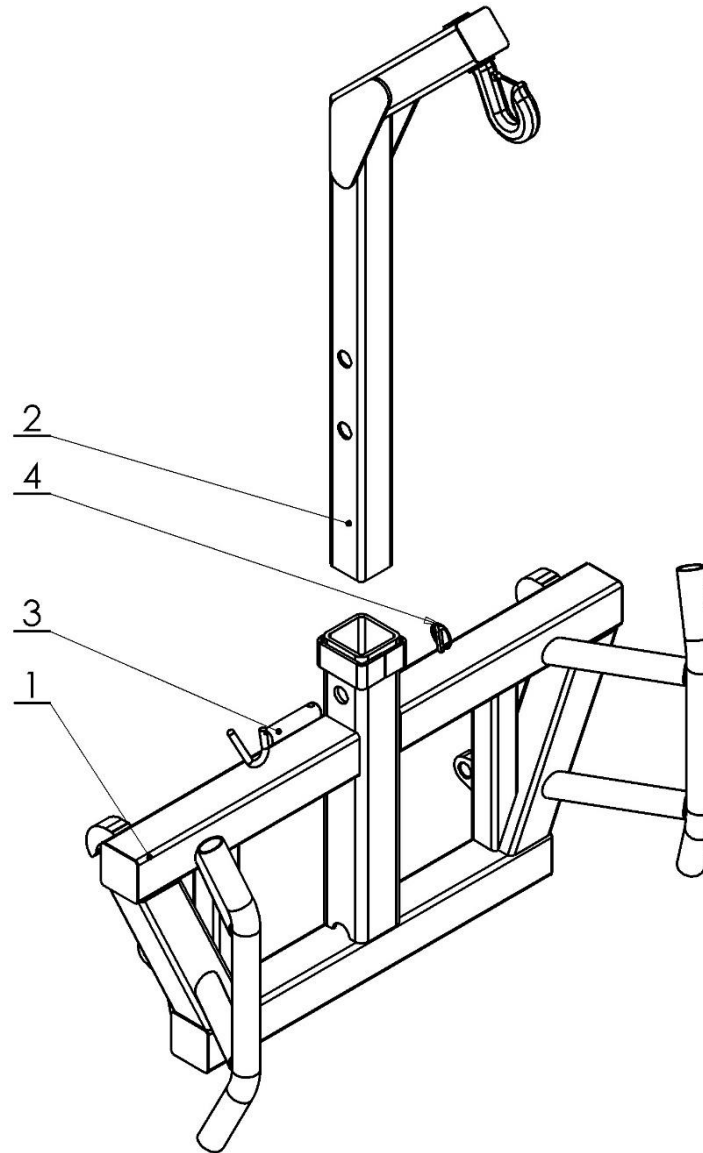


POD-HPR-000509 set No. 66: OL.LWW, OL.LWWCA bucket 2.3 m

No.	Product name	Fig. or index No.	
		OL.LWW 2.3E	Qty
1	Forks, complete	OL.LWW 01.00.00E	1
2	Bucket	OL.LWW 02.00.00	1
3	Pin, complete	OL.LWW 03.00.00	4
4	Pin	OL.LWW 00.00.04	2
5	Sleeve GSM-3539-40	POD-LOZ-000220	4
6	Cylinder 63/36/250	POD-HSL-000111	2
7	Tee connector 18 × 18 × 18	24KT18/18/18	2
8	Flexible hydraulic hose	A90A/111/10-890	1
9	Flexible hydraulic hose	A90A/111/10-850	1
10	Flexible hydraulic hose	A90A/111/10-520	2
11	Flexible hydraulic hose	AA/111/10-2000	2
12	HBK handle	POD-HPZ-000005-1	3
13	Euro valve-plug M18 × 1.5	24ZWE13-M18X1.5	2
14	Plug valve adapter	24ZWNE13	2
15	Spring-type pin 10 × 60	POD-ELZ-000398	2
16	Bolt M10 × 50	POD-ELZ-000051-1	4
17	Self-locking nut, M10	23NS10OC	4
18	Lubricating nipple M6 × 1.0	23SM	2
19	Red protective cap	23KOC	1

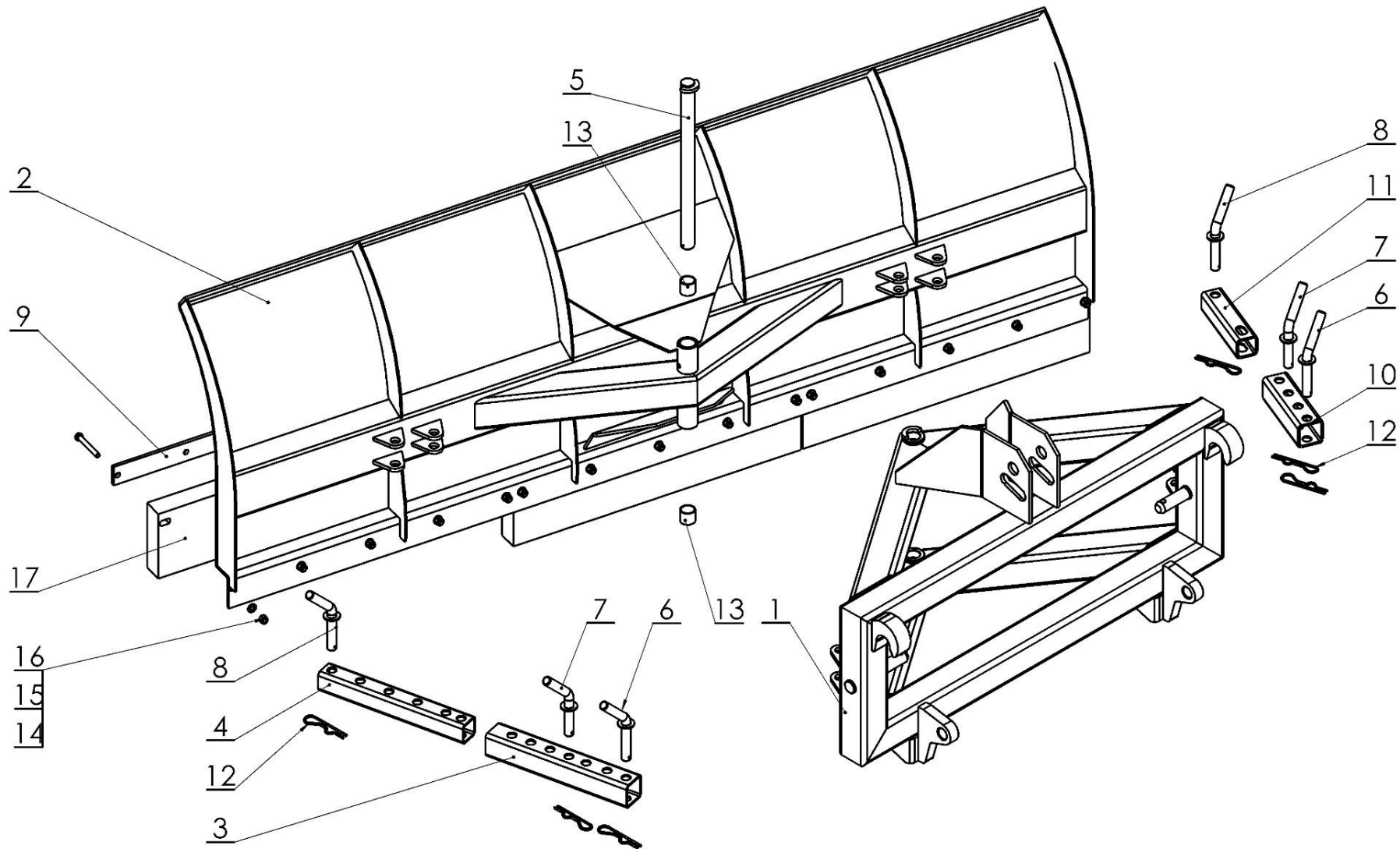
*Hydraulic hoses (items 8-11) are included in the following set:

25. FERTILISER BAG LIFTER



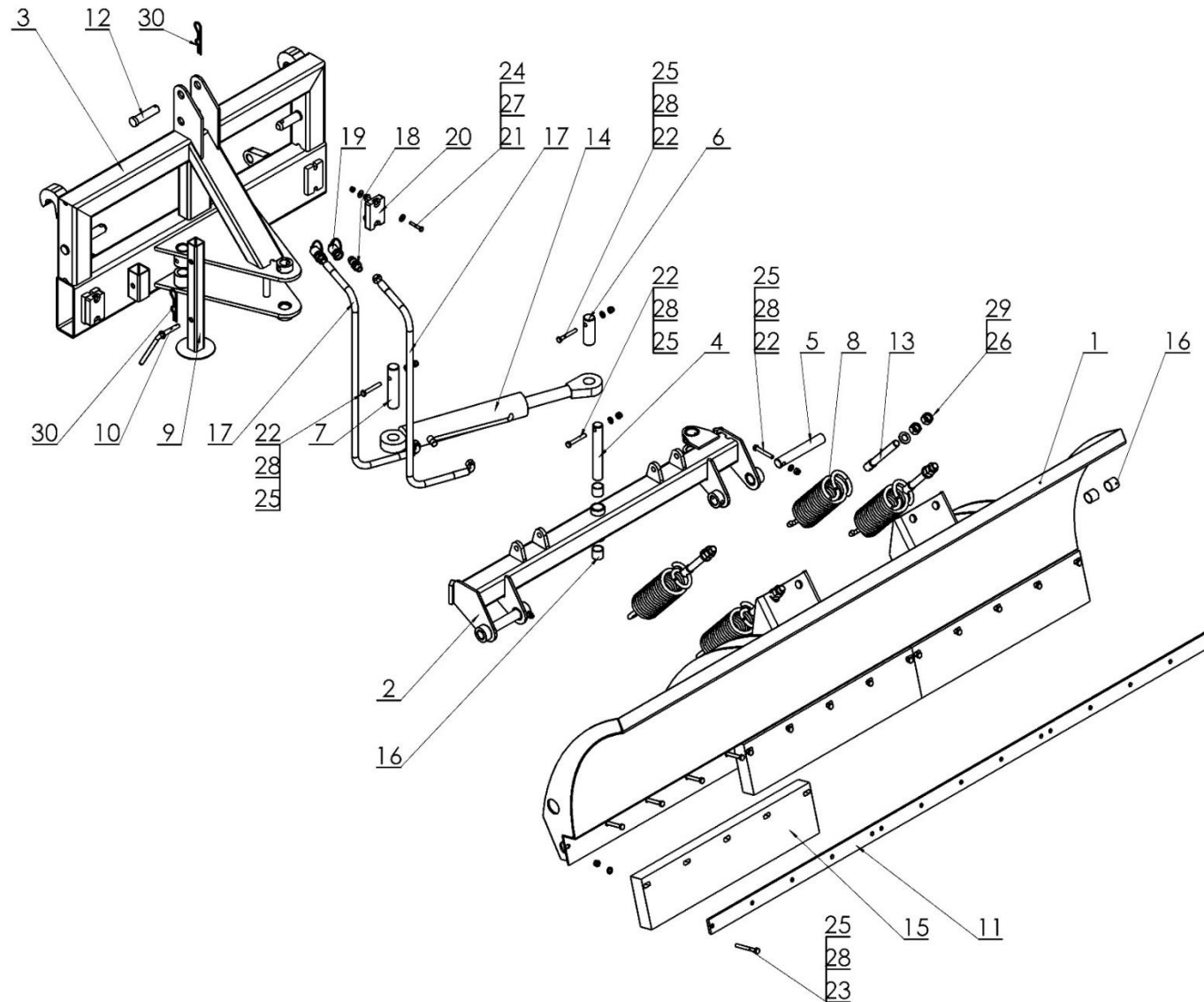
No.	Part or assembly name	Fig. or index No.			
		OL.PB E	Qty	OL.PB	Qty
1	Main frame	OL.PB 01.00.00.3E	1	OL.PB 01.00.00	1
2	Arm	OL.PB 02.00.00 arm	1	OL.PB 02.00.00 arm	1
3	Lock pin, complete	OL.PB 03.00.00	1	OL.PB 03.00.00	1
4	Cotter pin with a ring	23PR11	1	23PR11	1

26. 2.2 M SNOW PLOUGH SUSPENDED ON A LODER, EURO LIGHT TYPE



No.	Part or assembly name	Fig. or index No.			
		OL.PS 2.2E	Qty	OL.PS 2.2 SMS	Qty
1	Welded frame I	OL.PS 01.00.00.2E	1	OL.PS 01.00.00	1
2	Plough frame II	OL.PS 2.2 02.00.00.2	1	OL.PS 2.2 02.00.00.2	1
3	Lock section I	OL.PS 00.00.03.1	1	OL.PS 00.00.03.1	1
4	Section II	OL.PS 00.00.04	1	OL.PS 00.00.04	1
5	Main pin	OL.PS 00.05.00.1	1	OL.PS 00.05.00.1	1
6	Cotter pin I, complete	OL.PS 00.06.00	2	OL.PS 00.06.00	2
7	Cotter pin II, complete	OL.PS 00.07.00	2	OL.PS 00.07.00	2
8	Cotter pin III, complete	OL.PS 00.08.00	2	OL.PS 00.08.00	2
9	Clamp for inserts	OL.PS 2.2 00.00.09.1	1	OL.PS 2.2 00.00.09.1	1
10	Lock section III	OL.PS 00.00.12.1	1	OL.PS 00.00.12.1	1
11	Section IV	OL.PS 00.00.13.1	1	OL.PS 00.00.13.1	1
12	Elastic single cotter pin 4 (R-letter shaped, single)	23ZRFI4	6	23ZRFI4	6
13	Sleeve PAP 3030 P20	POD-LOZ-000112	2	POD-LOZ-000112	2
14	Bolt M10 × 80	POD-ELZ-000452	15	POD-ELZ-000452	15
15	Round washer 10.5	23P10 82005	15	23P10 82005	15
16	Self-locking nut, M10	23NS10OC	15	23NS10OC	15
17	Rubber 73.5 × 17.5 × 5	POD-TSZ-000120	3	POD-TSZ-000120	3

27. SNOW PLOUGH WITH A MECHANICAL PROTECTION SUSPENDED ON A EURO SPRING TYPE 2.2 M LOADER

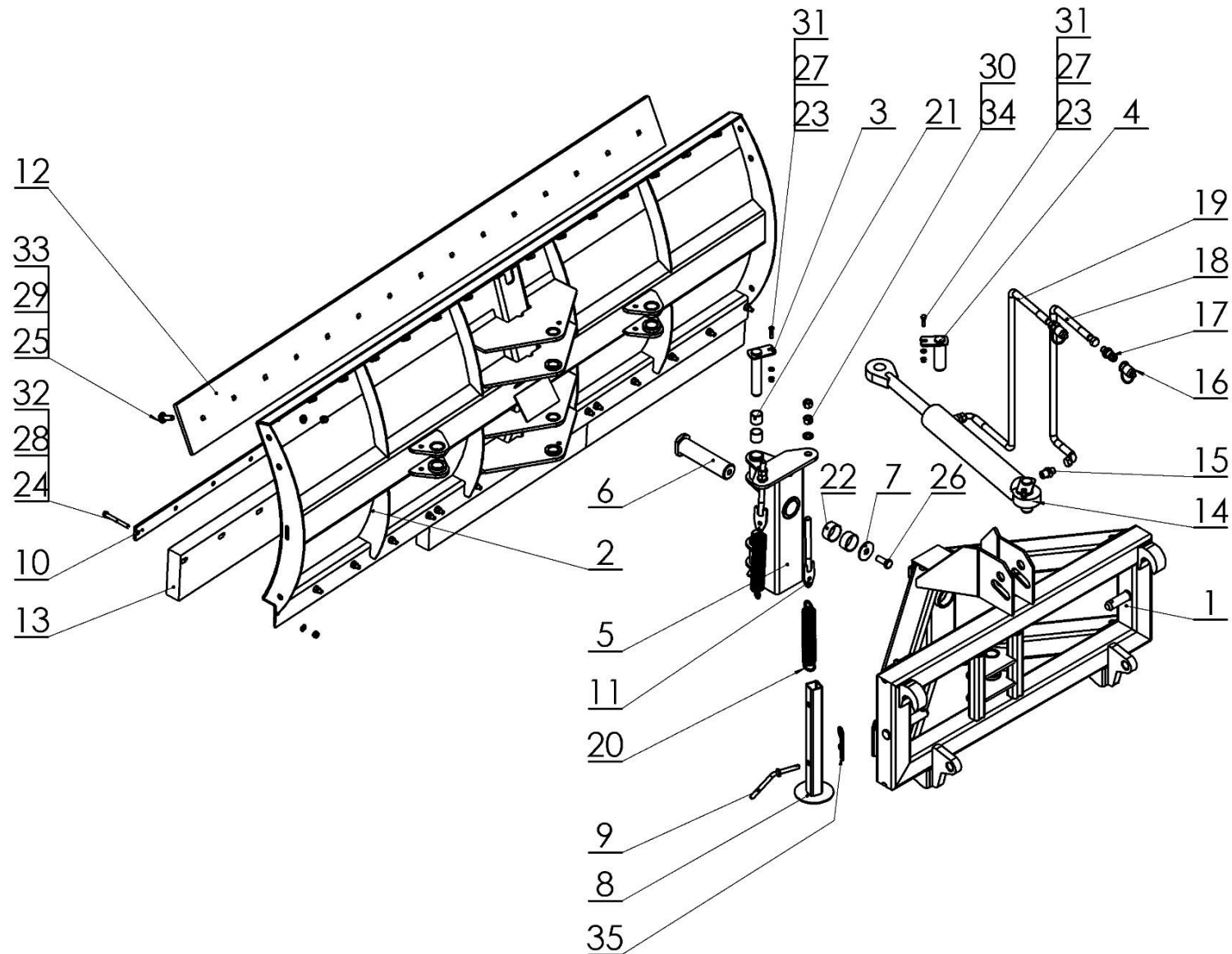


No.	Part or assembly name	Fig. or index No.			
		OL.PSZM 2.2E	Qty	OL.PSZM 2.2SMS	Qty
1	Ploughshare 2.2 m	OL.PSZM 2.2 01.00.00.1	1	OL.PSZM 2.2 01.00.00.1	1
2	Welded connector	OL.PSZM 02.00.00.1	1	OL.PSZM 02.00.00.1	1
3	Welded frame of the lifting clamp	OL.PSZM 03.00.00.2E	1	OL.PSZM 03.00.00S	1
4	Pin I	OL.PSZM 00.00.04.1	1	OL.PSZM 00.00.04.1	1
5	Pin II	OL.PSZM 00.00.05.1	2	OL.PSZM 00.00.05.1	2
6	Pin III	OL.PSZM 00.00.06.1	1	OL.PSZM 00.00.06.1	1
7	Pin IV	OL.PSZM 00.00.07.1	1	OL.PSZM 00.00.07.1	1
8	Spring	POD-SPR-000072	2	POD-SPR-000072	2
9	Support foot	OL.PSWH 08.00.00	1	OL.PSWH 08.00.00	1
10	Foot protection	OL.PSWH 09.00.00	1	OL.PSWH 09.00.00	1
11	Clamp for inserts	OL.PS 2.2 00.00.09.1	1	OL.PS 2.2 00.00.09.1	1
12	Pin I	OL.PSZM 00.00.10	1	OL.PSZM 00.00.10	1
13	Spring tensioning device	OL.PSZM 00.00.11	2	OL.PSZM 00.00.11	2
14	Cylinder 63/36/250	POD-HSL-000111	1	POD-HSL-000111	1
15	Rubber 73.5 × 17.5 × 5	POD-TSZ-000120	3	POD-TSZ-000120	3
16	Sleeve PAP 3030 P20	POD-LOZ-000112	6	POD-LOZ-000112	6
17	Flexible hydraulic hose	A90A/111/10-2500	2	A90A/111/10-2500	2
18	Euro valve-plug M18 × 1.5	24ZWE13-M18X1.5	2	24ZWE13-M18X1.5	2
19	Plug valve adapter	24ZWNE13	2	24ZWNE13	2

No.	Part or assembly name	Fig. or index No.			
		OL.PSZM 2.2E	Qty	OL.PSZM 2.2SMS	Qty
20	Cushion – Rubber bumper	POD-TSZ-000007-1	2	POD-TSZ-000007-1	2
21	Bolt M8 × 45	23S8/45OC 8.8	8	23S8/45OC 8.8	8
22	Bolt M10 × 70	23S10/70	5	23S10/70	5
23	Bolt M10 × 80	POD-ELZ-000452	15	POD-ELZ-000452	15
24	Self-locking nut, M8	23NS8OC	8	23NS8OC	8
25	Self-locking nut, M10	23NS10OC	21	23NS10OC	21
26	Nut, M20	23N20OC	8	23N20OC	8
27	Round washer 8.4	23P8OOC	16	23P8OOC	16
28	Round washer 10.5	23P10 82005	20	23P10 82005	20
29	Round washer 20	23P20OOC	4	23P20OOC	4
30	Elastic single cotter pin 4 (R-letter shaped, single)	23ZRFI4	6	23ZRFI4	6

*Hydraulic hoses (item 17) are included in the following set: POD-HPR-000456 set No. 59-3: OŁ.PSZM snow plough

28. 2.2 M MULTI TYPE DOUBLE-SIDED SNOW PLOUGH SUSPENDED ON A 2.2 M LOADER

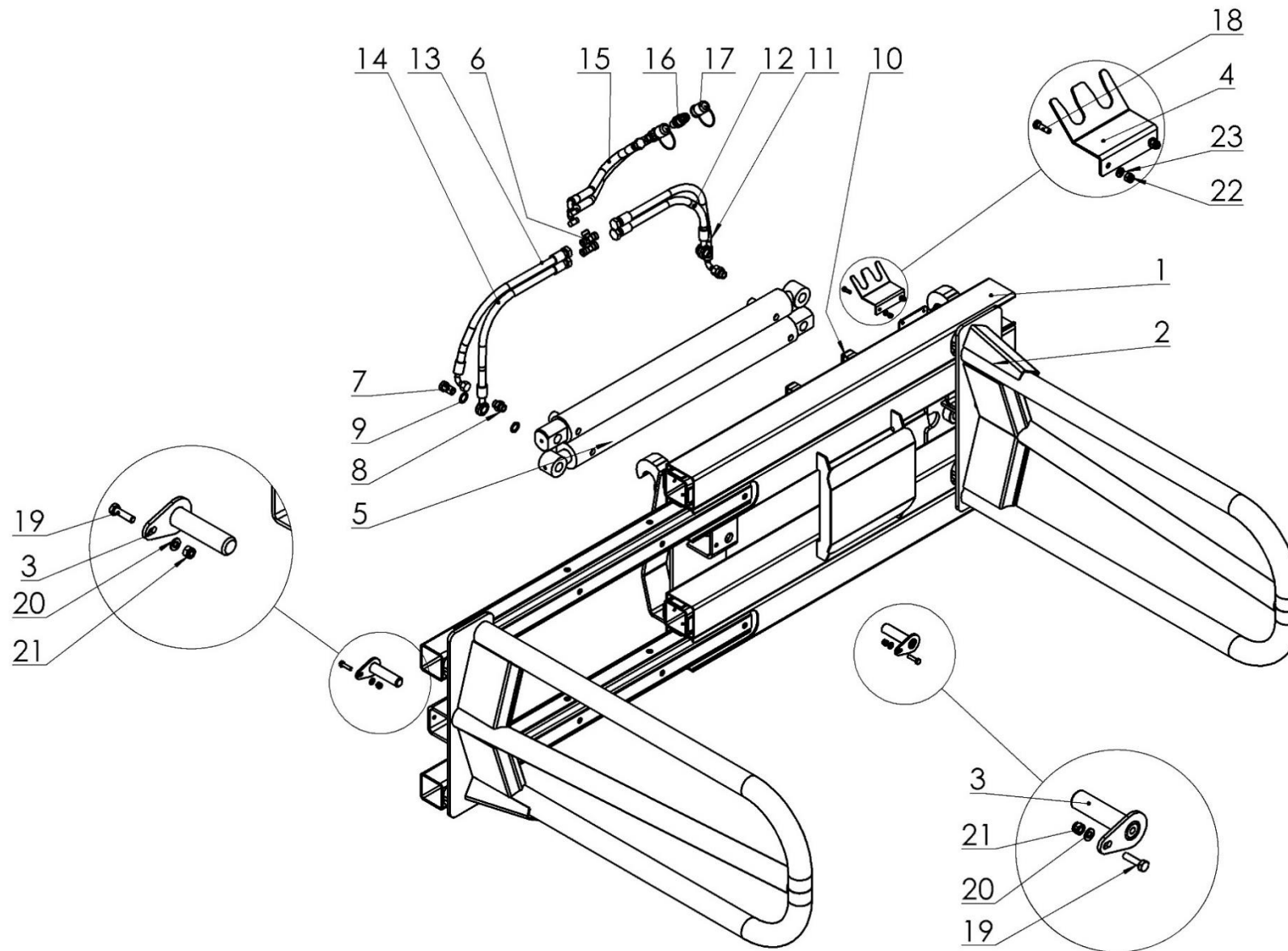


No.	Part or assembly name	Fig. or index No.			
		OL.PSWH 2.2 E	Qty	OL.PSWH 2.2 SMS	Qty
1	Self-aligning plough frame	OL.PSWH 01.00.00.3E	1	OL.PSWH 01.00.00	1
2	Frame II of the 2.2 m double-sided plough	OL.PSWH 2.2 02.00.00	1	OL.PSWH 2.2 02.00.00	1
3	Main pin, complete	OL.PSWH 03.00.00.1	2	OL.PSWH 03.00.00.1	2
4	Cylinder pin, complete	OL.PSWH 04.00.00.1	2	OL.PSWH 04.00.00.1	2
5	Swivel joint	OL.PSWH 05.00.00	1	OL.PSWH 05.00.00	1
6	Rotation pin	OL.PSWH 00.00.06	1	OL.PSWH 00.00.06	1
7	Special washer	OL.PSWH 00.00.07	1	OL.PSWH 00.00.07	1
8	Support foot	OL.PSWH 08.00.00	1	OL.PSWH 08.00.00	1
9	Foot protection	OL.PSWH 09.00.00	1	OL.PSWH 09.00.00	1
10	Clamp for inserts	OL.PS 2.2 00.00.09.1	1	OL.PS 2.2 00.00.09.1	1
11	Spring tensioning device	OL.PSP 19.00.00	2	OL.PSP 19.00.00	2
12	2.2 m levelling plate	OL.PSP.OH 2.2 00.00.21	1	OL.PSP.OH 2.2 00.00.21	1
13	Rubber 73.5 × 17.5 × 5	POD-TSZ-000120	3	POD-TSZ-000120	3
14	Cylinder 63/36/320z*L-602	24SCJ2F63/36/320Z	1	24SCJ2F63/36/320Z	1
15	Straight connection 22 × 18-1.5	24KP22/18	2	24KP22/18	2
16	Euro valve-plug M18 × 1.5	24ZWE13-M18X1.5	2	24ZWE13-M18X1.5	2
17	Plug valve adapter	24ZWNE13	2	24ZWNE13	2

18	Flexible hydraulic hose	A90A/111/10-2500	1	A90A/111/10-2500	1
19	Flexible hydraulic hose	A90A/111/10-2800	1	A90A/111/10-2800	1
20	Tension spring	23SN5/40/255	2	23SN5/40/255	2
21	Sleeve PAP 3030 P20	POD-LOZ-000112	4	POD-LOZ-000112	4
22	Sleeve PAP 5025 P20	POD-LOZ-000199	2	POD-LOZ-000199	2
23	Bolt M8 × 30	23S8/30 8.8	4	23S8/30 8.8	4
24	Bolt M10 × 80	POD-ELZ-000452	15	POD-ELZ-000452	15
25	Carriage bolt 12 × 40 galv.	POD-ELZ-000393	15	POD-ELZ-000393	15
26	Bolt 16 × 40	23S16/40 8.8OC	1	23S16/40 8.8OC	1
27	Round washer 8.4	23P8OOC	4	23P8OOC	4
28	Round washer 10.5	23P10 82005	15	23P10 82005	15
29	Round washer 13	23P12OC	15	23P12OC	15
30	Round washer 17	23P16OOC	2	23P16OOC	2
31	Self-locking nut, M8	23NS8OC	15	23NS8OC	15
32	Self-locking nut, M10	23NS10OC	4	23NS10OC	4
33	Self-locking nut, M12	23NS12OC	15	23NS12OC	15
34	Nut, M16	23N16OC	4	23N16OC	4
35	Elastic single cotter pin 4 (R-letter shaped, single)	23ZRFI4	1	23ZRFI4	1

*Hydraulic hoses (items 18-19) are included in the following set: POD-HPR-000455 set No. 59-2: OL.PSWH 2.2E snow plough

29. RECTANGULAR BALE GRABBER

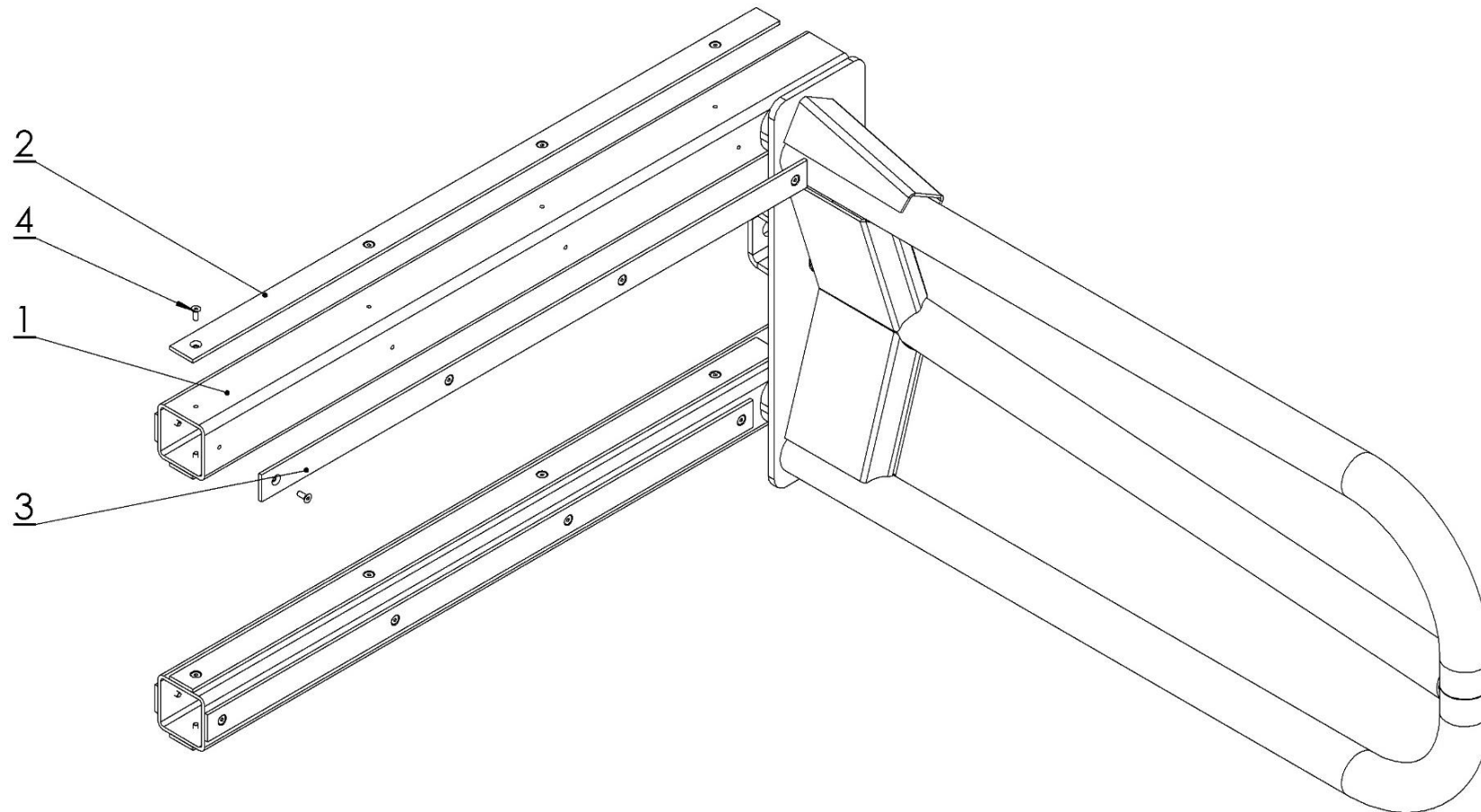


No.	Product name	Fig. or index No.	
		OL.CHP	Qty
1	Complete frame	OL.CHP 01.00.00E	1
2	Mobile arm, complete	OL.CHP 02.00.00	2
3	Pin, complete	OL.CHP 00.03.00	4
4	Hook for cables	OL.CHB 01.00.14.1	1
5	Membrane	POD-HSL-000191	2
6	Asymmetric tee	24KT18/18/18	2
7	Eye bolt M18 × 1.5	24SO18/1.5	2
8	Straight connection 18 × 18 - 1.5	POD-HKR-000040	2
9	Metal & rubber washer PPM18 26 × 18	24UPPM18	4
10	HBK handle diam. 18 × 2 - double	POD-HPZ-000005-1	2
11	Flexible hydraulic hose	A90A/111/10 L-570	1
12	Flexible hydraulic hose	ARNM/111/10 L-440	1
13	Flexible hydraulic hose	A90A/111/10 L-480	1
14	Flexible hydraulic hose	ARNM/111/10 L-540	1
15	Flexible hydraulic hose	A9A/111/10 L-2000	2
16	Euro valve-plug M18 × 1.5	24ZWE13-M18X1.5	2
17	Plug valve adapter	24ZWNE13	2
18	Bolt M6 × 20	23S6/20	2
19	Bolt M8 × 30	23S8/30 8.8	2

No.	Product name	Fig. or index No.	
		OL.CHP	Qty
20	Round washer 8.4	23P8OOC	4
21	Self-locking nut, M8	23NS8OC	4
22	Self-locking nut, M6	23NS6OC	2
23	Round washer 6.4	23P6OOC	4

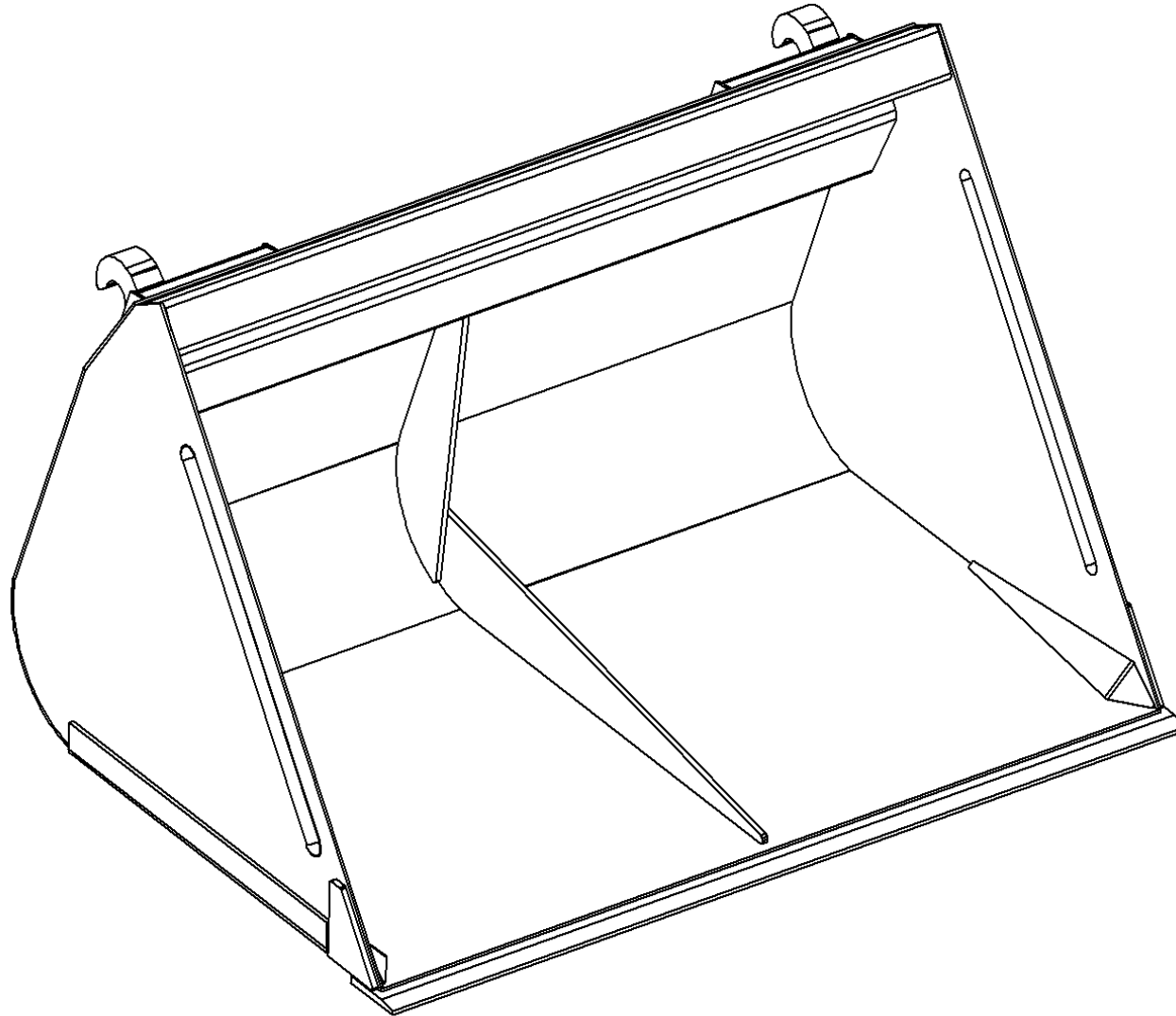
*Hydraulic hoses (items 11-15) are included in the following set: POD-HPR-000623 SET No. 78 grab OL.CHP E

30. RECTANGULAR BALE GRIPPER – ARM



No.	Product name	Fig. or index No.	
		OL.CHP 02.00.00	Qty
1	Swing arm	OL.CHP 02.01.00	1
2	Long slide	OL.CHP 00.00.04	6
3	Short slide	OL.CHP 00.00.05	2
4	Countersunk screw 6 x 16	POD-ELZ-000753	32

31. BUCKET FOR LOOSE MATERIAL



No.	Part or assembly name	Fig. or index No.			
		OL.LK	Qty	OL.LK 2	Qty
1	Bucket for loose material (SMS mounting)	OL.LK 1.2	1	OL.LK2 1.2	1
		OL.LK 1.5	1	OL.LK2 1.5	1
		OL.LK 1.8	1	OL.LK2 1.8	1
		OL.LK 2.0	1	OL.LK2 2.0	1
		OL.LK 2.2	1	OL.LK2 2.2	1
		OL.LK 2.4	1	OL.LK2 2.4	1
2	Bucket for loose material (EURO mounting)	OL.LK 1.2 E	1	OL.LK2 1.2 E	1
		OL.LK 1.5 E	1	OL.LK2 1.5 E	1
		OL.LK 1.8 E	1	OL.LK2 1.8 E	1
		OL.LK 2.0 E	1	OL.LK2 2.0 E	1
		OL.LK 2.2 E	1	OL.LK2 2.2 E	1
		OL.LK 2.4 E	1	OL.LK2 2.4 E	1

NOTES

A series of horizontal dotted lines providing space for handwritten notes.



Since Metal-Fach Sp. z o.o. is continuously improving its products and adapting its commercial range to match the customers' needs, Metal-Fach Sp. z o.o. reserves the right to modify our products without prior notice. Therefore, before making your purchase decision, please contact an authorised dealer or sales representative of Metal-Fach Sp. z o.o. Metal-Fach Sp. z o.o. will not accept any complaints regarding the data and pictures contained in the catalogue, as the presented range of products does not constitute an offer within the meaning of the provisions of the Polish Civil Code.

The pictures do not necessarily show standard accessories.

Original spare parts are available from authorised dealers, both in Poland and abroad, and also at the Metal-Fach retail outlet.

METAL-FACH Sp. z o.o.

16-100 Sokółka, Poland, ul. Kresowa 62
Telephone: +48 85 711 98 40;
Fax: +48 85 711 90 65
biuro@metalfach.com.pl

TECHNICAL SERVICE

16-100 Sokółka, Poland, ul. Kresowa 62
Telephone: +48 85 711 07 80;
Fax: +48 85 711 07 93
serwis@metalfach.com.pl

SPARE PARTS WHOLESALE STORE

16-100 Sokółka, Poland, ul. Kresowa 62

Wholesale: tel: +48 85 711 07 81; fax: +48 85 711 07 93
hurtownia@metalfach.com.pl

Retail:
24/7 PHONE LINE: +48 533 111 477
Phone: +48 85 711 07 90

CURRENT INFORMATION ABOUT OUR PRODUCTS CAN BE FOUND AT WWW.METALFACH.COM.PL

