



# METAL-FACH



**FRONT LOADER  
T241-V  
SPARE PARTS CATALOGUE  
REV. III  
MAY 2019 EN**

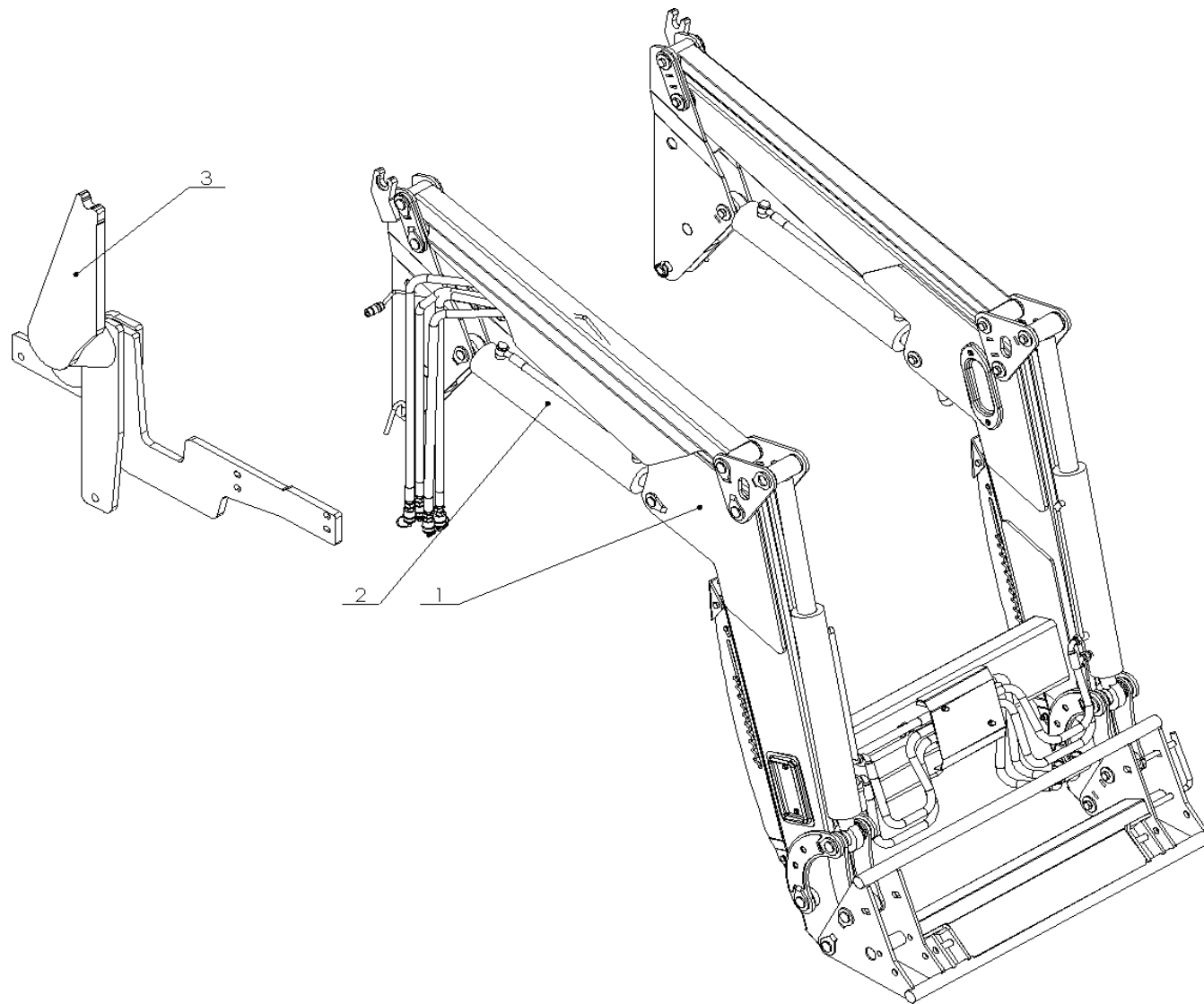


Information included in the catalogue is valid as of the date of its preparation. The manufacturer reserves its right to make design changes to machines, and due to this, some values or illustrations might not correspond to the actual state of the machine supplied to the user. The manufacturer reserves its right to make design changes without changing this catalogue.

## TABLE OF CONTENTS

1. LOADER, COMPLETE .....	4
2. ARM SECTION, COMPLETE .....	6
3. MOUNTING FRAME, COMPLETE .....	9
4. CONNECTOR II (COMPLETE) .....	11
5. SUPPORT FOOT, COMPLETE .....	12
6. LEVELLING INDICATOR, COMPLETE .....	14
7. PLASTIC LEVELLING INDICATOR, COMPLETE .....	15
8. TWO-SECTION HYDRAULIC SYSTEM .....	16
9. HYDRAULIC ACCUMULATOR ASSEMBLY .....	19
NOTES .....	21

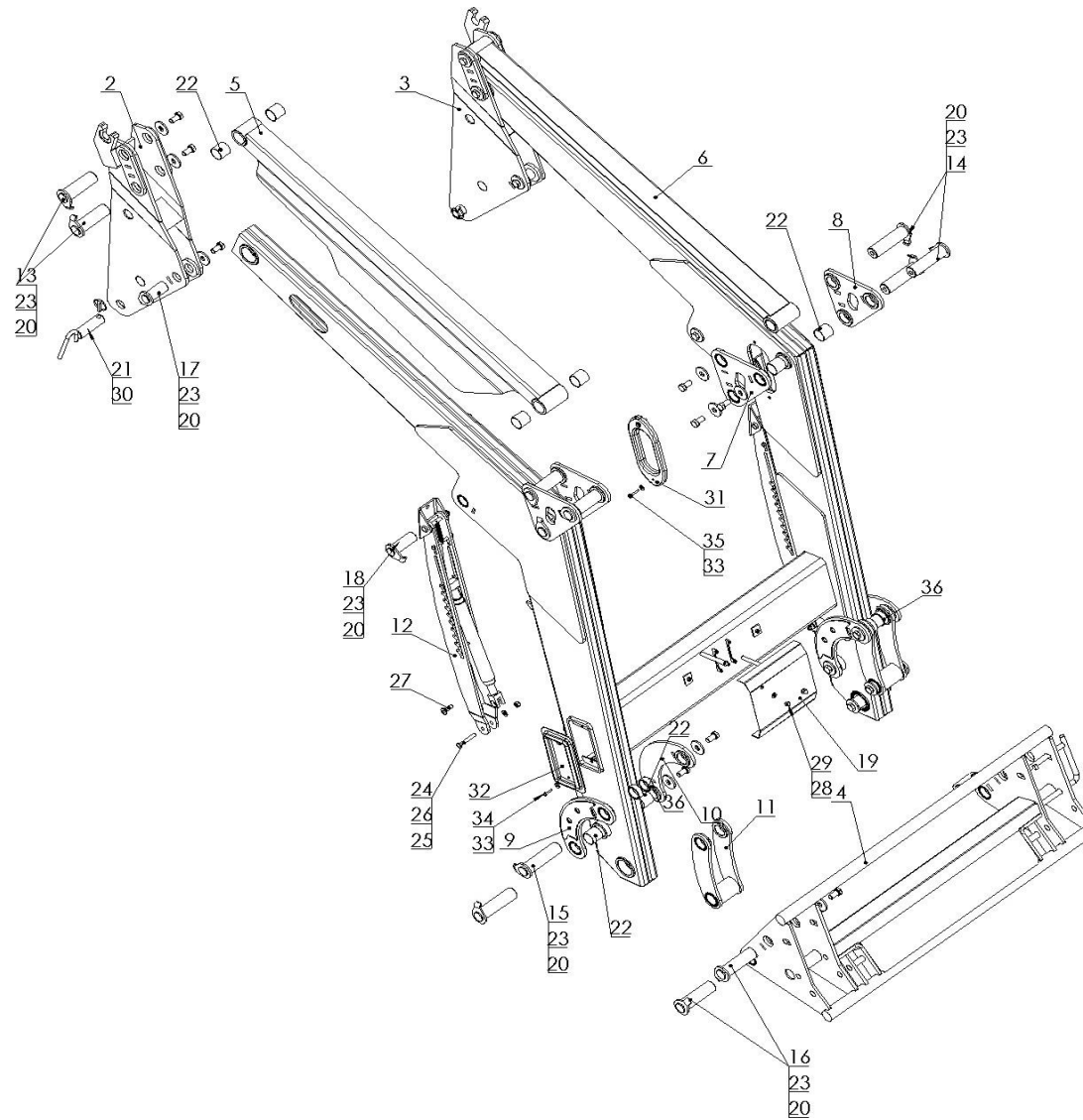
# 1. LOADER, COMPLETE



**Table 1.** Loader, complete

No.	Index No. / Loader type						Part or assembly name
	T241-V		T241-V.K		T241-V.D		
	Type of arm section						
	Suspended		Suspended		Suspended		
1	T241-V110		T241-V.K10		T241-V.D10		Boom, complete
2							The hydraulic system
3							The frame mounted on a tractor

## 2. ARM SECTION, COMPLETE



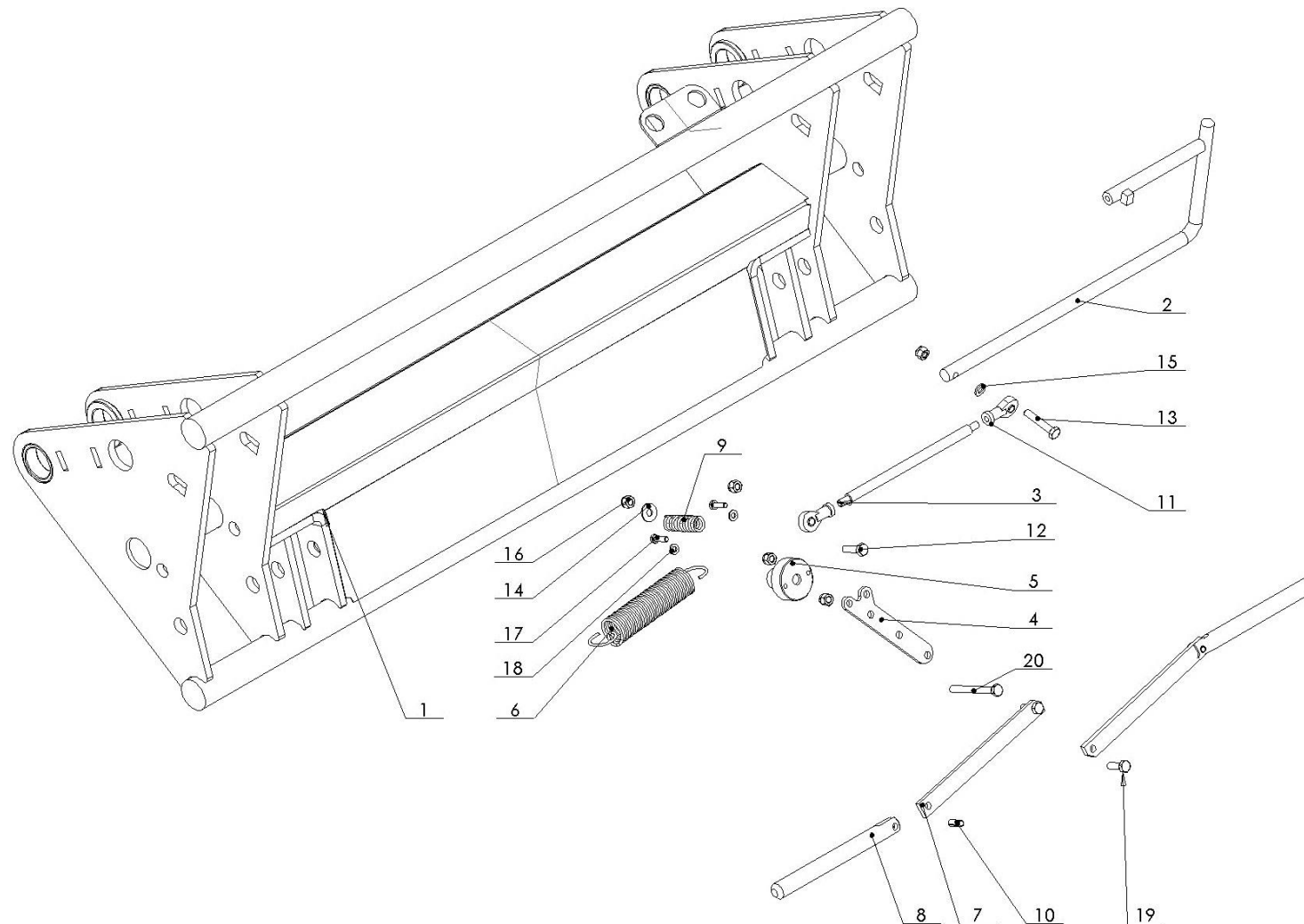
**Table 2.** Boom, complete

No.	Index No. / Loader type						Part or assembly name
	T241-V	Volume	T241-V.K	Volume	T241-V.D	Volume	
1	T241-1.001.000.000.1	1	T241-K.001.000.000.1	1	T241-D.001.000.000.1	1	Boom, complete
2	T241-1.002.001.000	1	T241-1.002.001.000	1	T241-1.002.001.000	1	Right sling, complete
3	T241-1.002.002.000	1	T241-1.002.002.000	1	T241-1.002.002.000	1	Left sling, complete
4	T241-1.004.000.000.2	1	T241-K.004.000.000.2	1	T241-K.004.000.000.2	1	EURO frame, complete
5	T241-1.005.001.000.2	1	T241-1.005.001.000.2	1	T241-D.005.001.000.2	1	Right connector
6	T241-1.005.001.000.2	1	T241-1.005.002.000.2	1	T241-D.005.002.000.2	1	Left connector
7	T241-1.006.001.000.1	2	T241-1.006.001.000.1	2	T241-1.006.001.000.1	2	Lever I, complete
8	T241-1.006.002.000.1	2	T241-1.006.002.000.1	2	T241-1.006.002.000.1	2	Lever II, complete
9	T241-1.007.001.000.1	2	T241-1.007.001.000.1	2	T241-1.007.001.000.1	2	Lever III, complete
10	T241-1.007.002.000.1	2	T241-1.007.002.000.1	2	T241-1.007.002.000.1	2	Lever IV, complete
11	T241-1.008.000.000.1	2	T241-1.008.000.000.1	2	T241-1.008.000.000.1	2	Connector II
12	T241-1.009.001.000	2	T241-1.009.001.000	2	T241-1.009.001.000	2	Support I, complete
13	T241-1.010.001.000.2	4	T241-1.010.001.000.2	4	T241-1.010.001.000.2	4	Pin I, complete
14	T241-1.010.002.000.2	6	T241-1.010.002.000.2	6	T241-1.010.002.000.2	6	Pin II complete
15	T241-1.010.003.000.2	4	T241-1.010.003.000.2	4	T241-1.010.003.000.2	4	Pin III complete
16	T241-1.010.004.000.2	4	T241-1.010.004.000.2	4	T241-1.010.004.000.2	4	Pin IV complete
17	T241-1.010.005.000.1	2	T241-1.010.005.000.1	2	T241-1.010.005.000.1	2	Pin V complete
18	T241-1.010.006.000.1	2	T241-1.010.006.000.1	2	T241-1.010.006.000.1	2	Pin VI complete

No.	Index No. / Loader type						Part or assembly name
	T241-V	Volume	T241-V.K	Volume	T241-V.D	Volume	
19	T241-1.000.000.016	1	T241-1.000.000.016	1	T241-1.000.000.016	1	Front cover
20	T229-1 000000023	22	T229-1 000000023	22	T229-1 000000023	22	Special washer
21	T229-1 000.029.000.1	2	T229-1 000.029.000.1	2	T229-1 000.029.000.1	2	Locking pin, complete
22	POD-LOZ-000219	16	POD-LOZ-000219	16	POD-LOZ-000219	16	Slide bearing
23	23S16/30OC 5.8-B	22	23S16/30OC 5.8-B	22	23S16/30OC 5.8-B	22	Bolt M16 x 30
24	POD-ELZ-000529	2	POD-ELZ-000529	2	POD-ELZ-000529	2	Bolt M10 x 65
25	23P10 82005	2	23P10 82005	2	23P10 82005	2	Round washer 10.5
26	23NS10OC	2	23NS10OC	2	23NS10OC	2	Self-locking nut M10
27	POD-ELZ-000518	2	POD-ELZ-000518	2	POD-ELZ-000518	2	Countersunk screw M12 x 35
28	23P8OOC	4	23P8OOC	4	23P8OOC	4	Round washer 8.4
29	POD-ELZ-000607	2	POD-ELZ-000607	2	POD-ELZ-000607	2	Acorn nut M8
30	23PR11	2	23PR11	2	23PR11	2	Cotter pin
31	POD-TSZ-000149	2	POD-TSZ-000149	2	POD-TSZ-000149	2	Internal cover
32	POD-TSZ-000148	2	POD-TSZ-000148	2	POD-TSZ-000148	2	External cover
33	23P6OOC	6	23P6OOC	6	23P6OOC	6	Round washer 6
34	23S6/25OC 105	4	23S6/25OC 105	4	23S6/25OC 105	4	Bolt M6 x 25
35	23S6/35OC	4	23S6/35OC	4	23S6/35OC	4	Bolt M6 x 35
36	T241-1.000.000.013.1	4	T241-1.000.000.013.1	4	T241-1.000.000.013.1	4	Spacer bushing



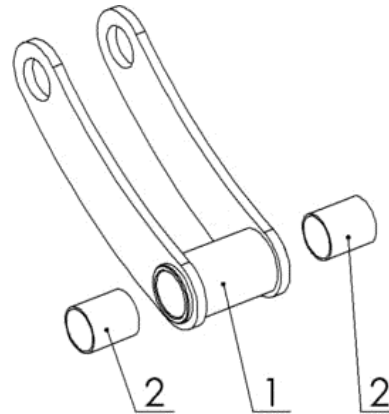
### 3. MOUNTING FRAME, COMPLETE



**Table 3.** Mounting frame, complete

No.	Index No. / Loader type						Part or assembly name
	T241-V	Volume	T241-V.K	Volume	T241-V.D	Volume	
1	T241-1.004.001.000.2	1	T241-K.004.001.000.2	1	T241-K.004.001.000.2	1	Welded frame
2	T241-K.004,003,100	1	T241-K.004,003,100	1	T241-K.004,003,100	1	Lock handle
3	T241-1.004.000.004	1	T241-1.004.000.004	1	T241-1.004.000.004	1	Coupling
4	T241-1.004.005.100	1	T241-1.004.005.100	1	T241-1.004.005.100	1	Swing arm
5	T241-1.004.000.006	1	T241-1.004.000.006	1	T241-1.004.000.006	1	Holder
6	POD-SPR-000074	1	POD-SPR-000074	1	POD-SPR-000074	1	Spring
7	T229-1 008002002	2	T229-1.008,002,002	2	T229-1.008,002,002	2	Arm II
8	T229-1 080002003	2	T229-1 080002003	2	T229-1 080002003	2	Pin
9	23S3/12.5/60	1	23S3/12.5/60	1	23S3/12.5/60	1	Maz spring
10	POD-ELZ-000347	2	POD-ELZ-000347	2	POD-ELZ-000347	2	Spring-type pin 8 x 20
11	POD-OGL-000650	2	POD-OGL-000650	2	POD-OGL-000650	2	Ball coupling device
12	23S8/30OC 8.8	1	23S8/30OC 8.8	1	23S8/30OC 8.8	1	Bolt M8 x 30
13	23S8/45OC 8.8	1	23S8/45OC 8.8	1	23S8/45OC 8.8	1	Bolt M8 x 45
14	23P8OC 82030	3	23P8OC 82030	3	23P8OC 82030	3	Round washer 8 more than
15	23P8OOC	2	23P8OOC	2	23P8OOC	2	Round washer 8
16	23NS8OC	3	23NS8OC	3	23NS8OC	3	Self-locking nut M8
17	23S6/20	2	23S6/20	2	23S6/20	2	Bolt M6 x 20
18	23P6OOC	2	23P6OOC	2	23P6OOC	2	Round washer 6.4
19	23S8/25OC8.8	3	23S8/25OC8.8	3	23S8/25OC8.8	3	Bolt M8 x 25

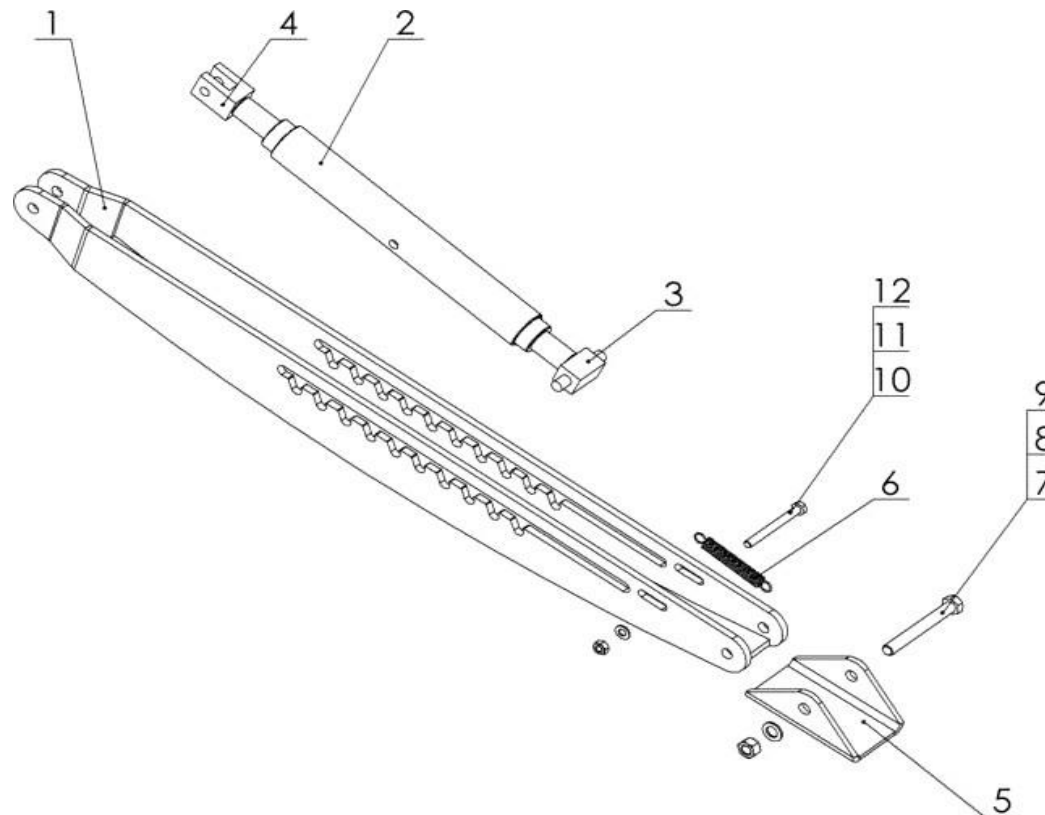
#### 4. CONNECTOR II (COMPLETE)



**Table 4.** Connector II, complete

No.	Index No. / Loader type						Part or assembly name
	T241-V	Volume	T241-V.K	Volume	T241-V.D	Volume	
1	T241-1.008.001.000.1	1	T241-1.008.001.000.1	1	T241-1.008.001.000.1	1	Connector II
2	POD-LOZ-000219	4	POD-LOZ-000219	4	POD-LOZ-000219	4	Slide bearing

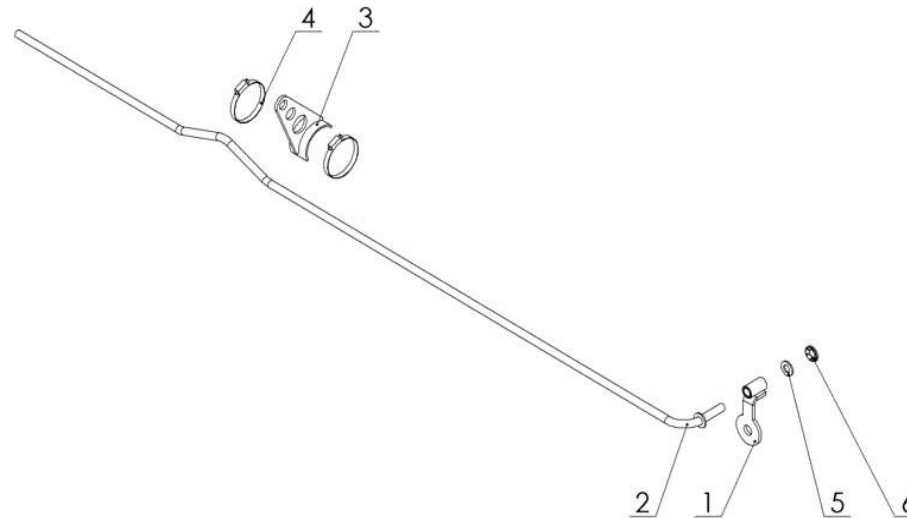
## 5. SUPPORT FOOT, COMPLETE



**Table 5.** Support foot, complete

No.	Index No. / Loader type						Part or assembly name
	T241-V	Volume	T241-V.K	Volume	T241-V.D	Volume	
1	T241-1.009.001.100	1	T241-1.009.001.100	1	T241-1.009.001.100	1	Support
2	T241-1.009.001.210	1	T241-1.009.001.210	1	T241-1.009.001.210	1	Threaded sleeve, complete
3	T241-1.009.001.220	1	T241-1.009.001.220	1	T241-1.009.001.220	1	Foot bolt
4	T241-1.009.001.230	1	T241-1.009.001.230	1	T241-1.009.001.230	1	Foot bolt II
5	T241-1.009.001.003	1	T241-1.009.001.003	1	T241-1.009.001.003	1	Foot
6	23SN1.5/13/90	1	23SN1.5/13/90	1	23SN1.5/13/90	1	Spring
7	23S12/100OC 8.8	1	23S12/100OC 8.8	1	23S12/100OC 8.8	1	Bolt M12 x 100
8	23P12OC	1	23P12OC	1	23P12OC	1	Round washer 13
9	23NS12OC	1	23NS12OC	1	23NS12OC	1	Self-locking nut M12
10	23S8/80 8.8	1	23S8/80 8.8	1	23S8/80 8.8	1	Bolt M8 x 80
11	23P8OOC	1	23P8OOC	1	23P8OOC	1	Round washer 8.4
12	23NS8OC	1	23NS8OC	1	23NS8OC	1	Self-locking nut M8

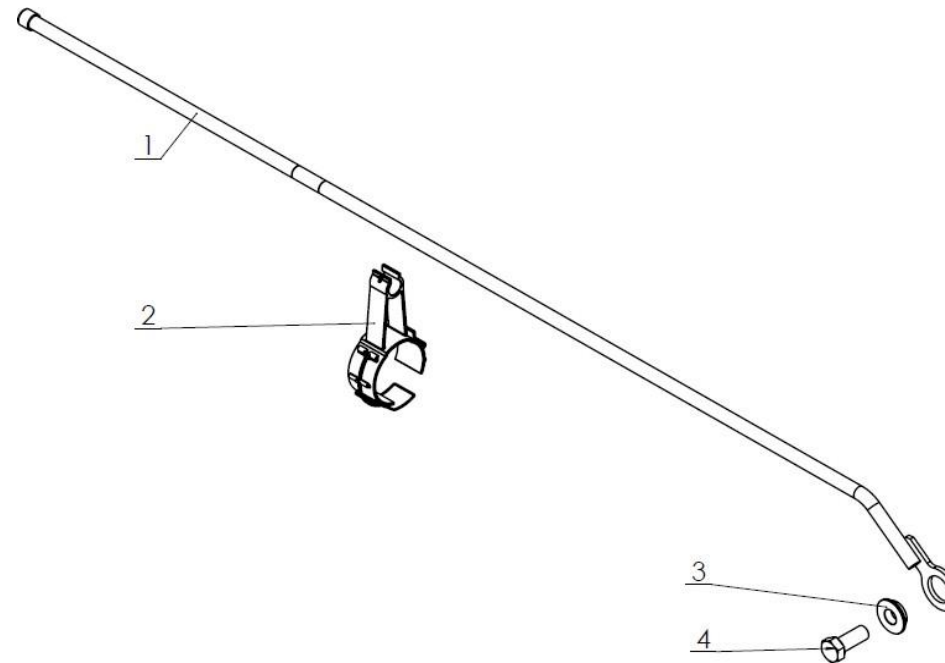
## 6. LEVELLING INDICATOR, COMPLETE



**Table 6.** Levelling indicator, complete

No.	Index No. / Loader type						Part or assembly name
	T241-V	Volume	T241-V.K	Volume	T241-V.D	Volume	
1	T229-1 051001000	1	T229-1 051001000	1	T229-1 051001000	1	Support I
2	T229-1 051002000	1	T229-1 051002000	1	T229-1 051002000	1	Indicator tube
3	T229-1 051003000	1	T229-1 051003000	1	T229-1 051003000	1	Support II
4	POD-OGL-000361	2	POD-OGL-000361	2	POD-OGL-000361	2	Worm band
5	23P12OC	1	23P12OC	1	23P12OC	1	Round washer 12
6	POD-ELZ-000494	1	POD-ELZ-000494	1	POD-ELZ-000494	1	Spring protection

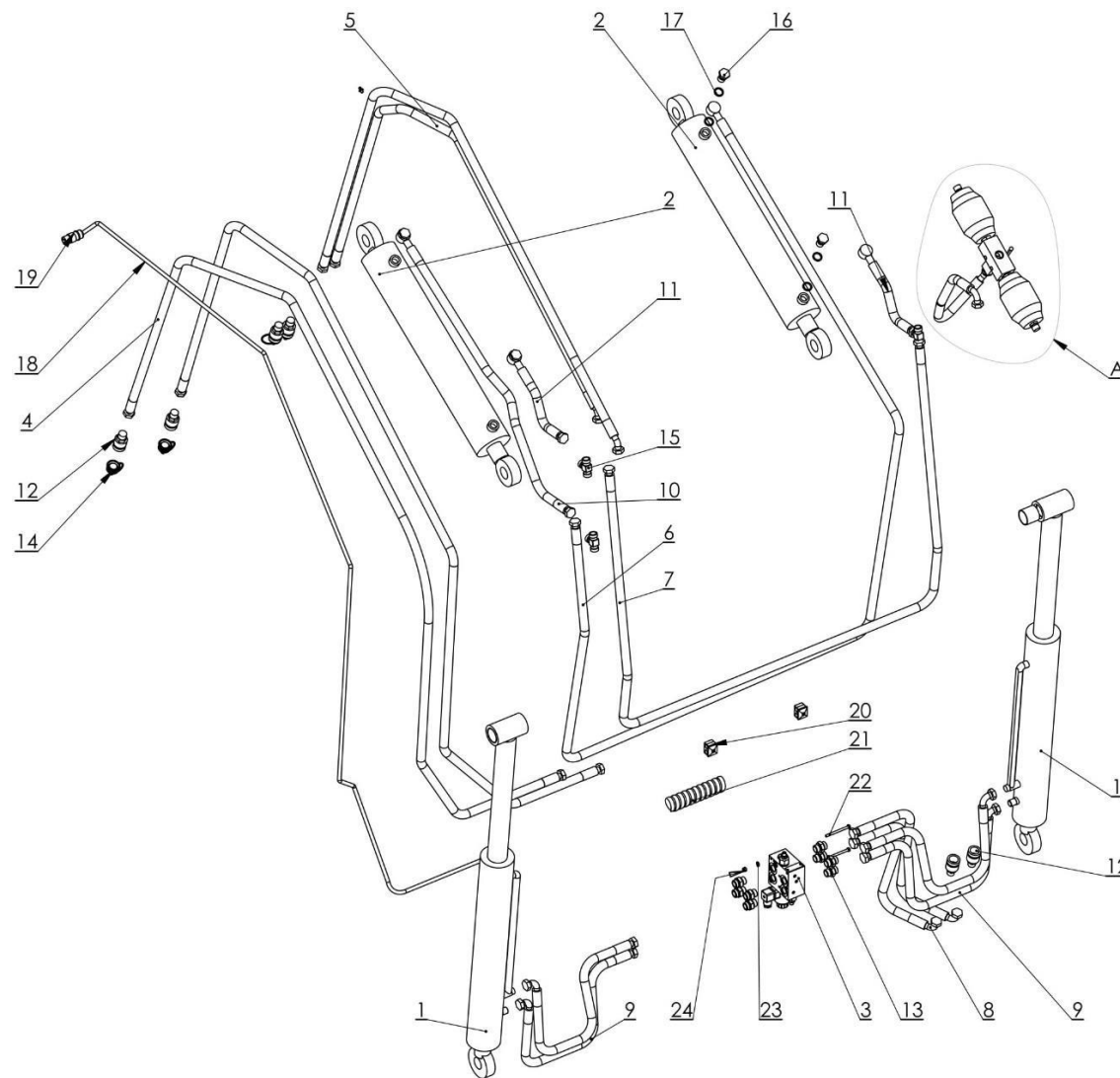
## 7. PLASTIC LEVELLING INDICATOR, COMPLETE



**Table 7.** Plastic levelling indicator, complete

No.	Index No. / Loader type						Part or assembly name
	T241-V	Volume	T241-V.K	Volume	T241-V.D	Volume	
1	T229-1 052001000	1	T229-1 052001000	1	T229-1 052001000	1	Levelling indicator rod, complete
2	POD-OGL-000932	1	POD-OGL-000932	1	POD-OGL-000932	1	Levelling rod holder, complete
3	T229-1 052000002	1	T229-1 052000002	1	T229-1 052000002	1	Spacer bushing
4	23S16/40 8.8OC	1	23S16/40 8.8OC	1	23S16/40 8.8OC	1	Bolt 16 x 40 galv.

## 8. TWO-SECTION HYDRAULIC SYSTEM



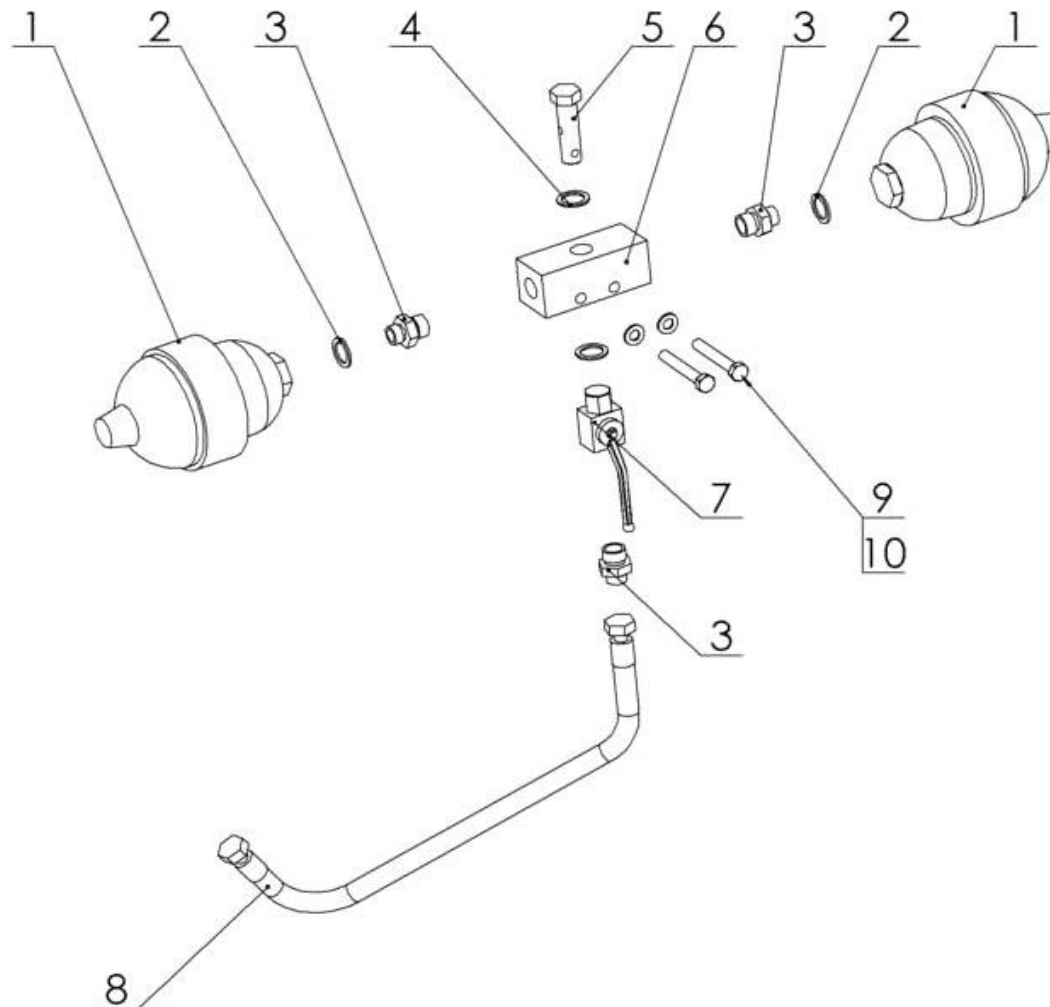


**Table 8.** Two-section hydraulic system

No.	Index No. / Loader type						Part or assembly name
	T241-V Lifting capacity 1300 kg	T241-V Lifting capacity 1600 kg	T241-V.K Lifting capacity 1300 kg	T241-V.K Lifting capacity 1600 kg	T241-D Lifting capacity 1600 kg	Volume	
1	24SCJ1.70/36*400	POD-HSL-000002-1	24SCJ1.70/36*400	POD-HSL-000002-1	POD-HSL-000002-1	2	Frame cylinder
2	24SCJ2.70/40*520	POD-HSL-000001-1	24SCJ2.70/40*520	POD-HSL-000001-1	POD-HSL-000005-1	2	Boom cylinder
3	POD-HZW-000079	POD-HZW-000079	POD-HZW-000079	POD-HZW-000079	POD-HZW-000079	1	Solenoid valve
4	AA/233/13 L-3100	AA/233/13 L-3100	AA/233/13 L-3100	AA/233/13 L-3100	AA/233/13 L-3600	2	Hydraulic hose
5	A45A/233/13 L-1800	A45A/233/13 L-1800	A45A/233/13 L-1800	A45A/233/13 L-1800	A45A/233/13 L-2300	2	Hydraulic hose
6	ARNM/233/13 L-3400	ARNM/233/13 L-3400	ARNM/233/13 L-3600	ARNM/233/13 L-3600	ARNM/233/13 L-3600	1	Hydraulic hose
7	AA/233/13 L-2500	AA/233/13 L-2500	AA/233/13 L-2700	AA/233/13 L-2700	AA/233/13 L-2700	1	Hydraulic hose
8	A45A/233/13 L-1200	A45A/233/13 L-1200	A45A/233/13 L-1200	A45A/233/13 L-1200	A45A/233/13 L-1200	2	Hydraulic hose
9	A90A/233/13 L-650	A90A/233/13 L-650	A90A/233/13 L-700	A90A/233/13 L-700	A90A/233/13 L-700	4	Hydraulic hose
10	ARNM/233/13 L-900	ARNM/233/13 L-900	ARNM/233/13 L-900	ARNM/233/13 L-900	ARNM/233/13 L-900	1	Hydraulic hose
11	ARNM/233/13 L-350	ARNM/233/13 L-350	ARNM/233/13 L-350	ARNM/233/13 L-350	ARNM/233/13 L-350	2	Hydraulic hose
12	POD-HZW-000040	POD-HZW-000040	POD-HZW-000040	POD-HZW-000040	POD-HZW-000040	6	Euro valve-socket
13	24K1/2 22	24K1/2 2224ZGNE13	24K1/2 22	24K1/2 22	24K1/2 22	8	Straight connector
14	24ZGNE13	24ZGNE13	24ZGNE13	24ZGNE13	24ZGNE13	6	Valve adapter
15	POD-HKR-000007-1	POD-HKR-000007-1	POD-HKR-000007-1	POD-HKR-000007-1	POD-HKR-000007-1	3	M22 x 1.5 T-connector
16	POD-HPZ-000011-1	POD-HPZ-000011-1	POD-HPZ-000011-1	POD-HPZ-000011-1	POD-HPZ-000011-1	4	Hydraulic bolt
17	24U20	24U20	24U20	24U20	24U20	8	Copper washer

No.	Index No. / Loader type						Part or assembly name
	T241-V Lifting capacity 1300 kg	T241-V Lifting capacity 1600 kg	T241-V.K Lifting capacity 1300 kg	T241-V.K Lifting capacity 1600kg	T241-D Lifting capacity 1600kg	Volume	
18	POD-ELK-000194	POD-ELK-000194	POD-ELK-000194	POD-ELK-000194	POD-ELK-000195	1	Electric wire bundle
19	POD-ELK-000197	POD-ELK-000197	POD-ELK-000197	POD-ELK-000197	POD-ELK-000197	1	Electric socket
20	POD-HPZ-000005-1	POD-HPZ-000005-1	POD-HPZ-000005-1	POD-HPZ-000005-1	POD-HPZ-000005-1	2	HBK handle
21	POD-HPZ-000043-1	POD-HPZ-000043-1	POD-HPZ-000043-1	POD-HPZ-000043-1	POD-HPZ-000043-1	2	Spiral cover HG40
22	23S6/70 105	23S6/70 10523P6OOC	23S6/70 105	23S6/70 105	23S6/70 105	2	Bolt M6 x 70
23	23P6OOC	23P6OOC	23P6OOC	23P6OOC	23P6OOC	2	Washer 6
24	23NS6OC	23NS6OC	23NS6OC	23NS6OC	23NS6OC	2	Self-locking nut M6

## 9. HYDRAULIC ACCUMULATOR ASSEMBLY



**Table 9.** Hydraulic accumulator assembly

No.	Index	Volume	Part or assembly name
1	H500R/LT	2	Hydraulic accumulator
2	24UPPM18	2	Sealing ring PPM 18
3	24KP1/2 18	3	Straight connector 1/2"/M18 x 1.5
4	21 x 18 x 1.5	2	Copper washer 1/2 "
5	G1/2" L=60	1	Eye bolt 1/2 "
6	square 45+SC01	1	Block valve
7	GE2-1/2"	1	Ball valve
8	A90A45/244/10 L-550	1	Flexible hydraulic hose
9	23S10/70	2	Bolt M10 x 70
10	23P10 82005	2	Round washer 11

## NOTES

A series of 20 horizontal dotted lines for taking notes.

A large area of the page is filled with horizontal dotted lines, providing a template for handwritten notes or additional information.





Metal-Fach Sp. z o.o. is constantly improving its products and adjusting its package to the needs of its customers, so it reserves the right to make changes to its product range without notice. Therefore, before making your purchase decision, please contact an authorised dealer or sales representative of Metal-Fach Sp. z o.o. Metal-Fach Sp. z o.o. will not accept any complaints regarding the data and pictures contained in the catalogue, as the presented range of products does not constitute an offer within the meaning of the provisions of the Civil Code.

The pictures do not necessarily show standard accessories.

Original spare parts are available from authorised dealers, both in Poland and abroad, and also at the Metal-Fach retail outlet.

#### TECHNICAL SERVICE

16-100 Sokółka, ul. Kresowa 62  
phone: +48 85 711 07 80; fax: +48 85 711 07 93  
serwis@metalfach.com.pl

#### SALES

16-100 Sokółka, ul. Kresowa 62  
phone: +48 85 711 07 78; fax: +48 85 711 07 89  
handel@metalfach.com.pl

#### SPARE PARTS WHOLESALE STORE

16-100 Sokółka, ul. Kresowa 62

#### Wholesale:

phone: 85 711 07 81; fax: 85,711 07 93  
hurtownia@metalfach.com.pl

#### Spare parts - retail sales

24/7 PHONE: +48 533 111 477  
Phone: +48 85 711 07 90  
sklep.kontakt@metalfach.com.pl

CURRENT INFORMATION ABOUT OUR PRODUCTS CAN BE FOUND ON [WWW.METALFACH.COM.PL](http://WWW.METALFACH.COM.PL)