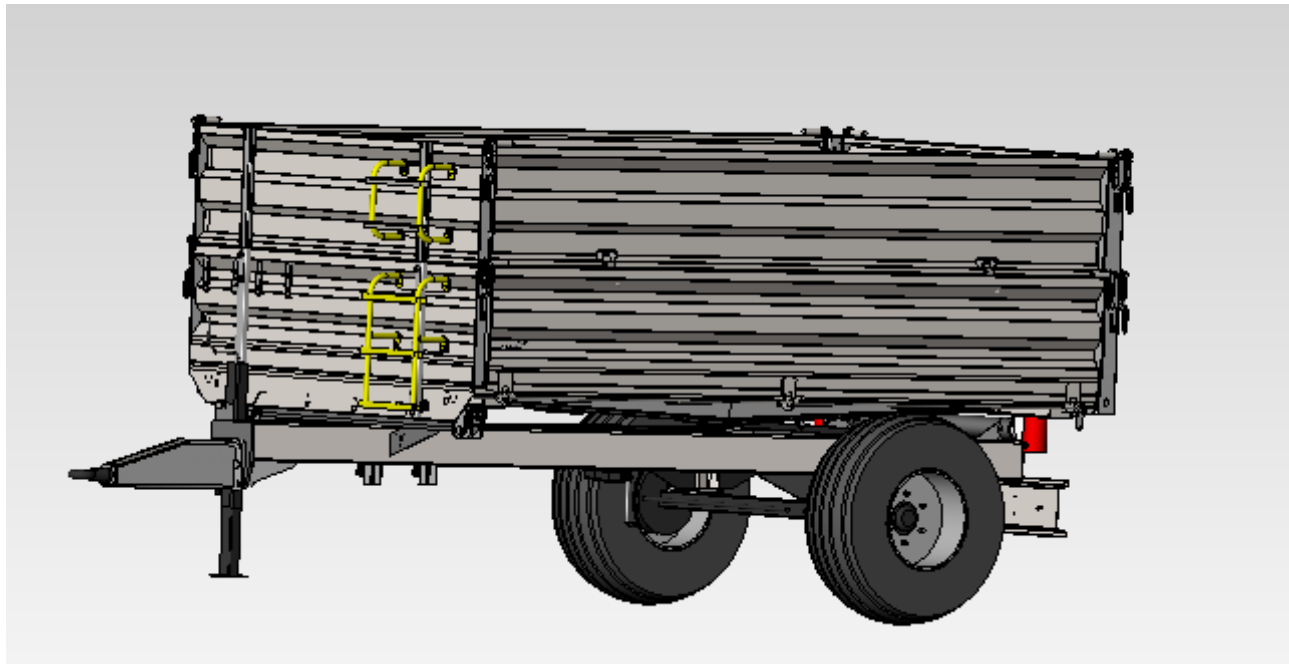
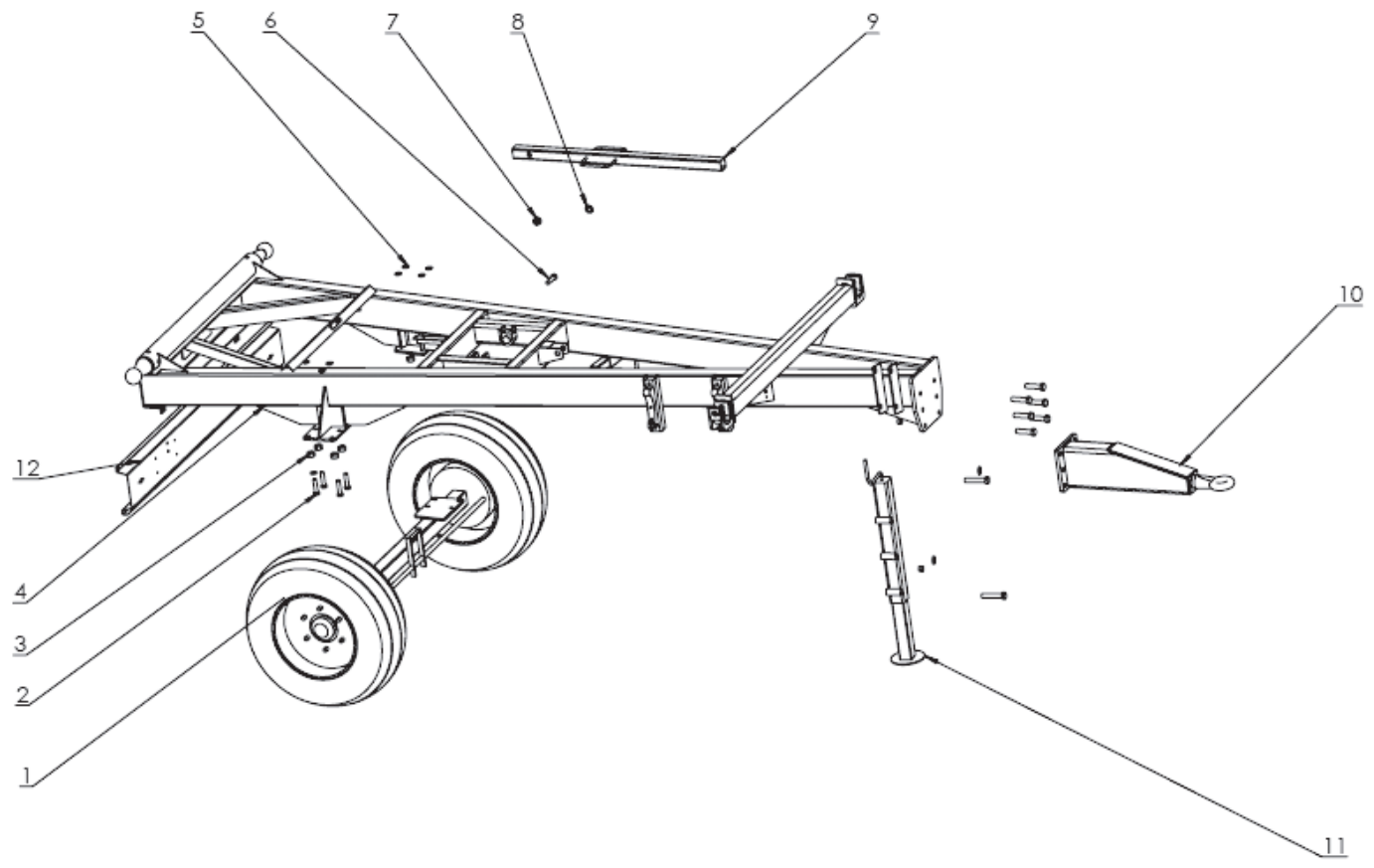


# Spare parts catalogue



Parts catalogue: T703 farming trailer

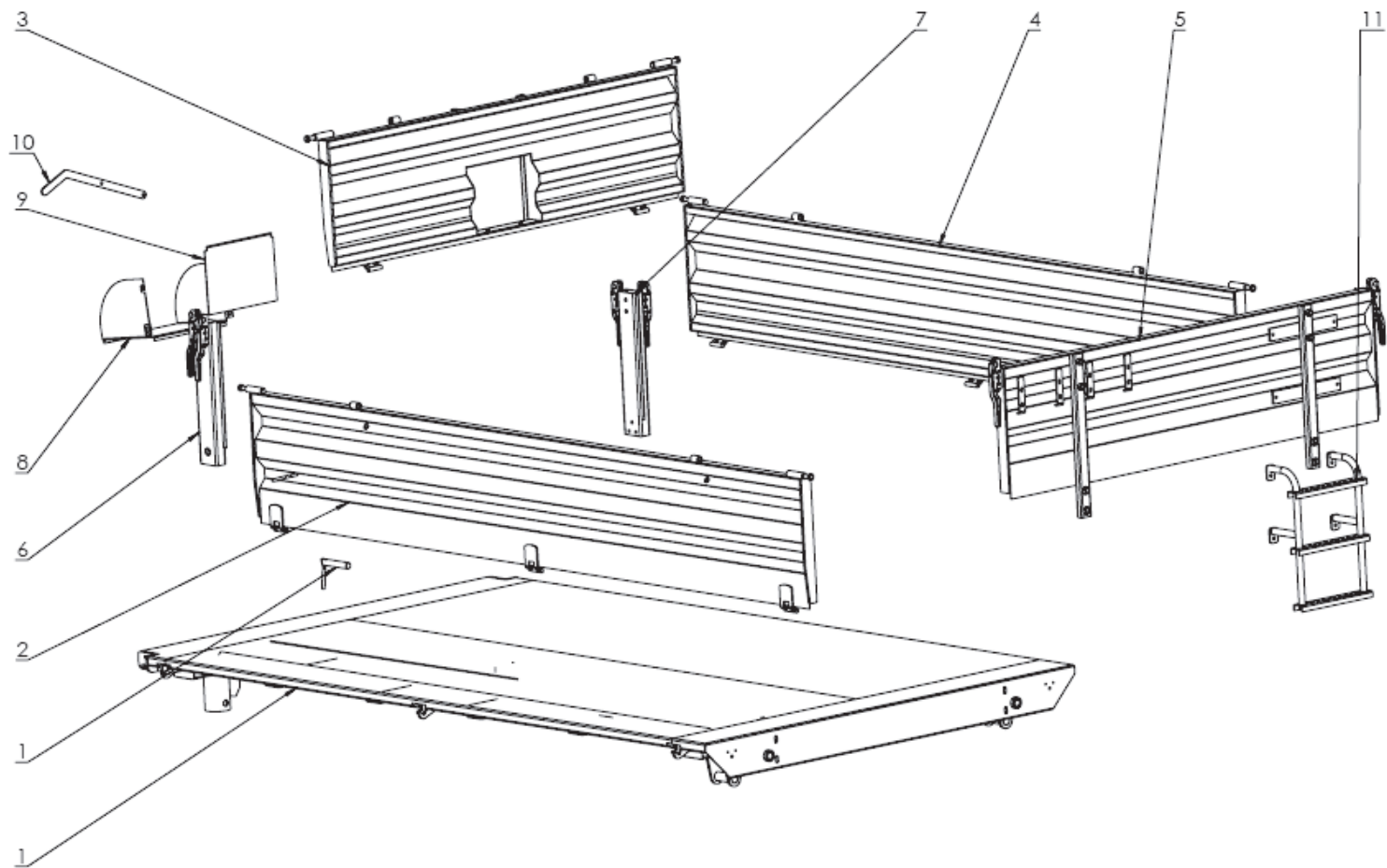
No. in dwg	Name of assembly or part	Drawing No. or standard	Quantity
1	Axle, set	POD-KOS-000012	1
2	Bolt, 16x1.5x40 galv. 82105	23S15/1.5/40OC	8
3	Self-retaining nut, M16x1.5 galv. 82175 8	POD-ELZ-000381	8
4	Support frame	T703 02.00.00	1
5	Round washer, 16 galv. 82005	23P160OC	8
6	Bolt, 20x110 galv.	23S20/110OC 8.8	9
7	Nut, M20 galv. 82144 5	23N20OC	9
8	Washer, M20	23P20OC	9
9	Load body support	T703 13.00.000	1
10	Catch	T703 02.03.100.1	1
11	Support foot	25SPZ562	1
12	Lamp mounting sheet plate	T703 02.00.020	1



# METAL-FACH

## *Top frame*

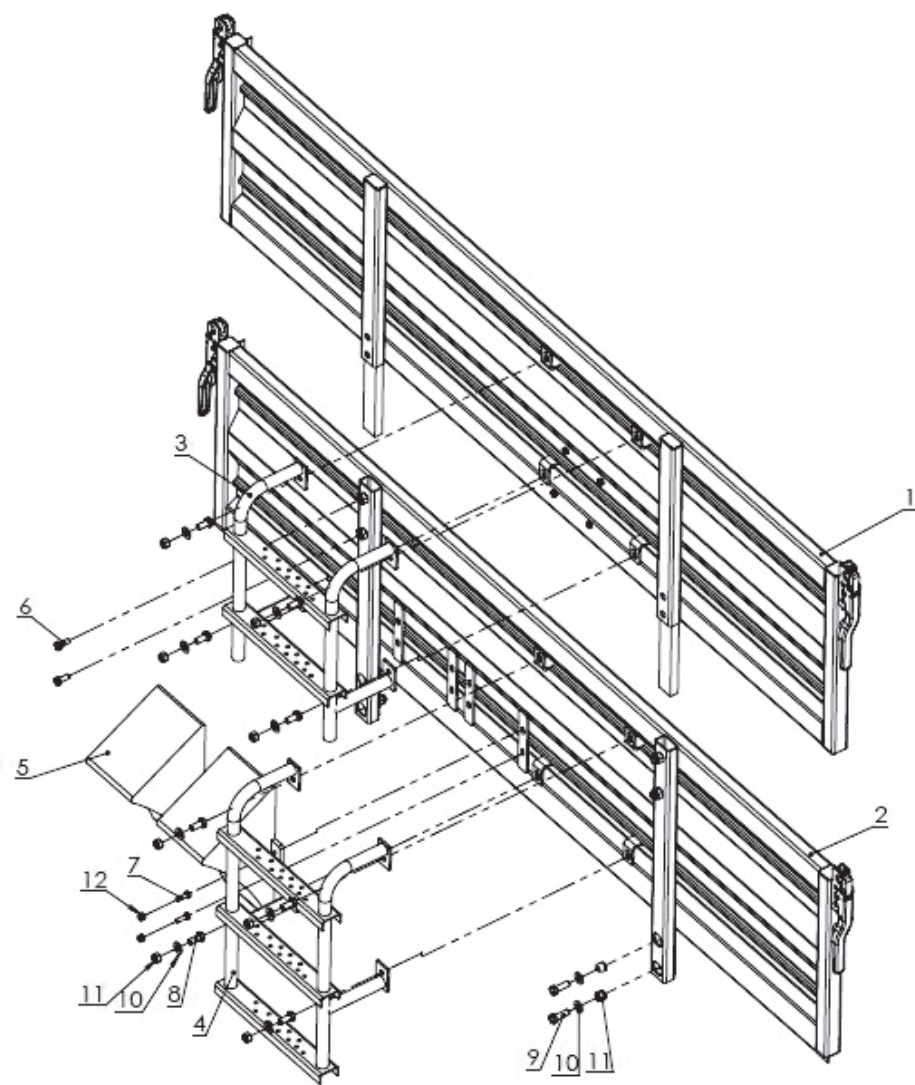
No. in dwg	Name of assembly or part	Drawing No. or standard	Quantity
1	Top frame	T703 01.00.00	1
2	Right wall	T703 29.00.00	1
3	Rear wall	T703 31.01.00	1
4	Left wall	T703 29.00.00	1
5	Front wall	T703 30.00.00	1
6	Right hand post	T703 25.00.000	1
7	Left hand post	T703 26.00.000	1
8	Rear channel	T703 31.01.13	1
9	Gate sheet panel	T703 31.01.12	1
10	Lever II	T703 09.01.03	1
11	Ladder	T703 15.00.00	1
12	Tipping lock	T703 01.06.00	2



# METAL-FACH

## *Front Wall*

No. in dwg	Name of assembly or part	Drawing No. or standard	Quantity
1	Front top section	T703 33.00.00	1
2	Front wall	T703 30.00.00	1
3	Upper ladder	T703 16.00.000	1
4	Ladder	T703 15.00.000	1
5	Wheel chock	POD-OGL-000027-1	2
6	Bolt, M10x25 8-8-B	23S10/25OC 8.8	4
7	Bolt, M8x25 8-8-B	23S8/25OC 8.8	8
8	Bolt, M12x25 8-8-B	23S12/25OC	8
9	Bolt, M12x35 8-8-B	23S10/35OC 8.8	4
10	Plain washer, 12	23P12OC	12
11	Nut, M12	23NS12OC	12
12	Nut, M8	23NS8OC	8

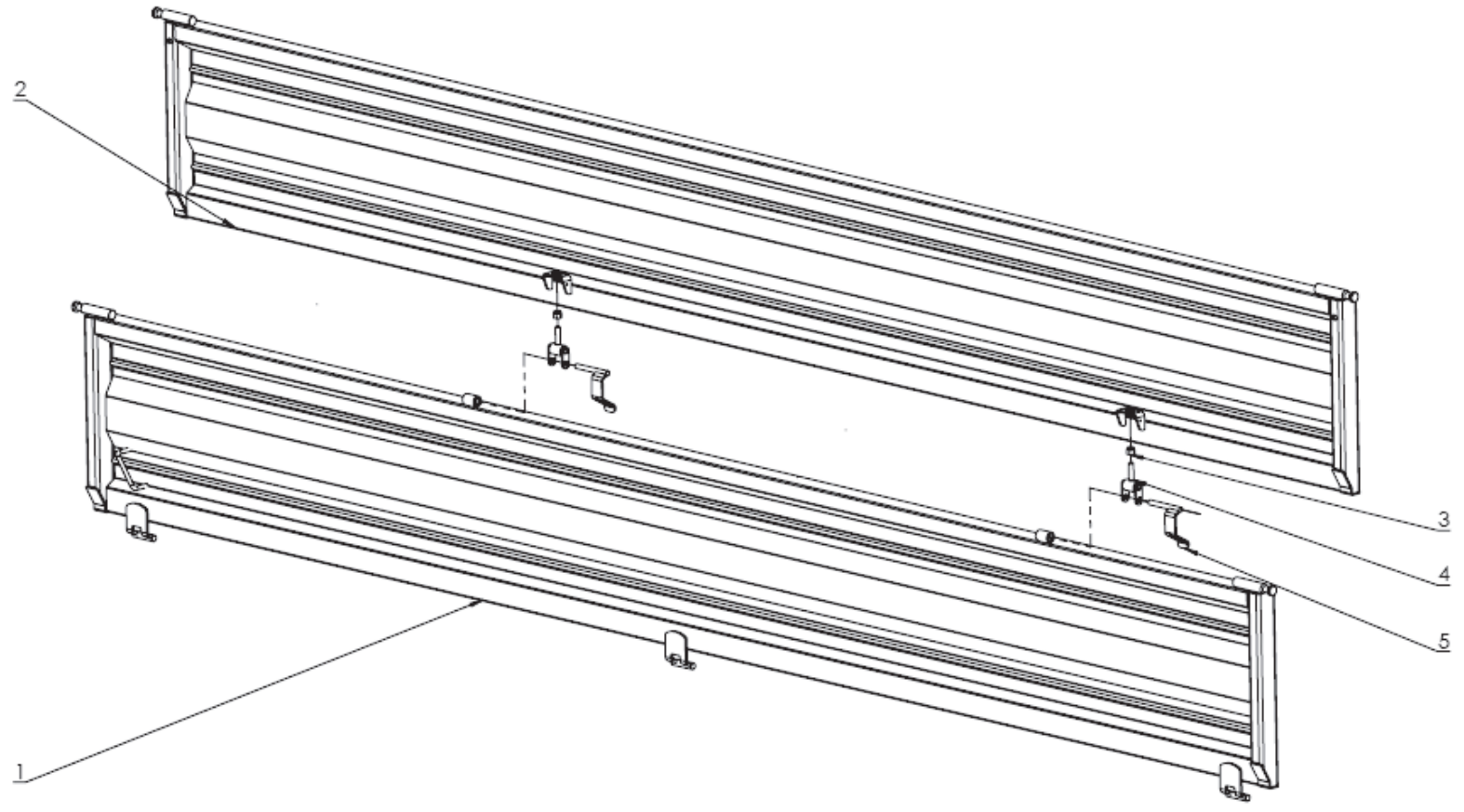


# METAL-FACH

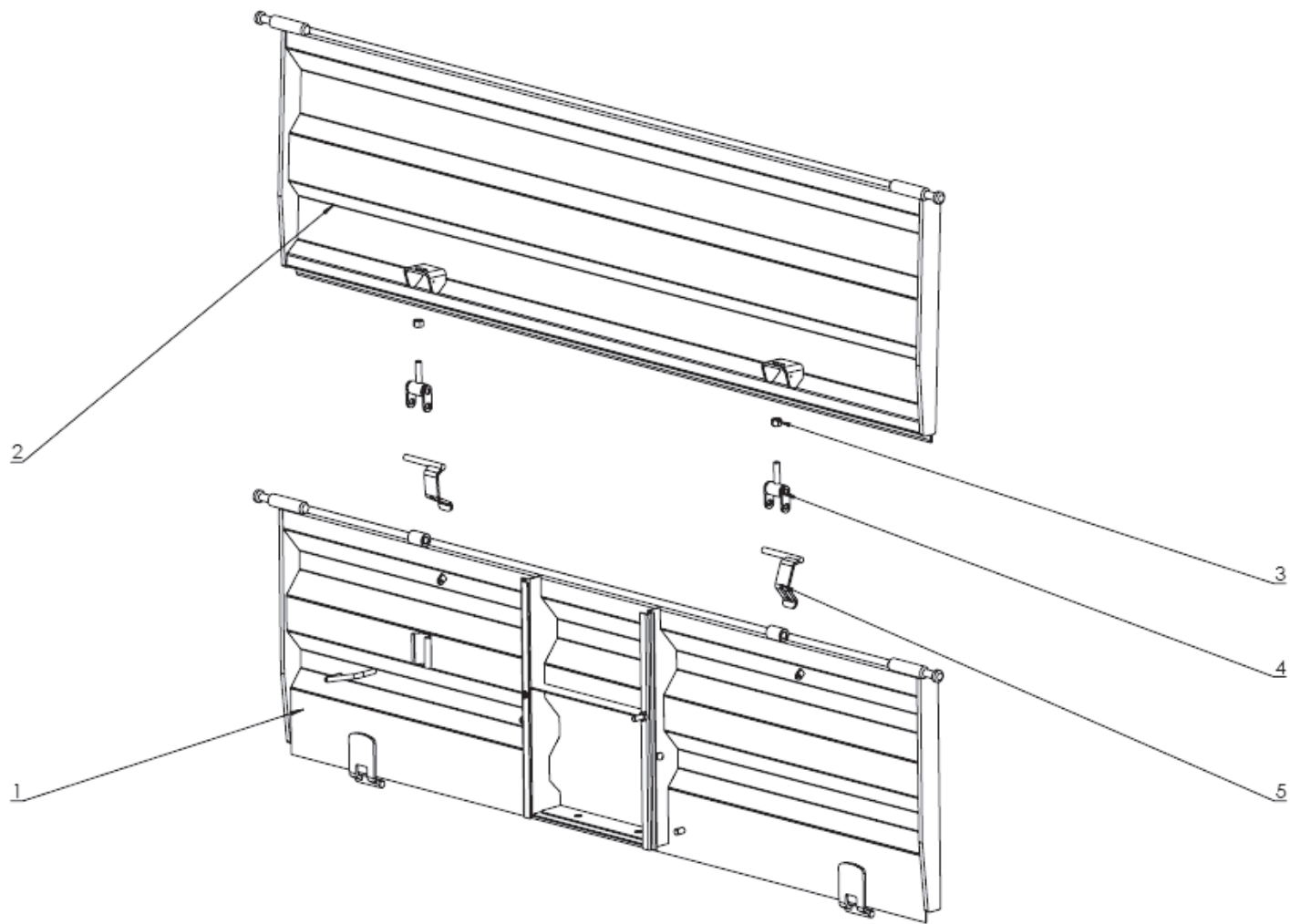
## *Right/left wall*

No. in dwg	Name of assembly or part	Drawing No. or standard	Quantity
1	Right /left wall	T703 29.00.00	1/1
2	Right /left top section	T703 32.00.00	1/1
3	Nut, M12	23N12OC	1
4	Top section hinge	T703 22.00.00	1
5	Lock, set	T703 21.00.00	1





No. in dwg	Name of assembly or part	Drawing No. or standard	Quantity
1	Rear wall	T703 31.01.00	1
2	Rear top section	T703 34.00.00	1
3	Top section hinge	T703 22.00.00	2
4	Lock, set	T703 21.00.00	2
5	Nut, M12 galv. 82144	23N12OC	2



**METAL-FACH***Right/left hand rear post*

No. in dwg	Name of assembly or part	Drawing No. or standard	Quantity
1	Right/left hand top support post	T703 27.00.00/T703 28.00.00	1/1
2	Right/left hand post	T703 25.00.00/T703 26.00.00	1/1
3	Bolt, M12x35 8-8-B	23S12/35OC 8.8	2
4	Nut, M12	23NS12OC	2

