



**METAL-FACH**



**“VIKING” MANURE SPREADER  
N272/3, N272/6  
PARTS CATALOGUE  
EDITION I.  
December 2020**



Information included in the catalogue is valid as of the date of its preparation. The manufacturer reserves its right to make design changes to machines, and due to this, some values or illustrations might not correspond to the actual state of the machine supplied to the user. The manufacturer reserves its right to make design changes without changing this catalogue.

# Table of Contents

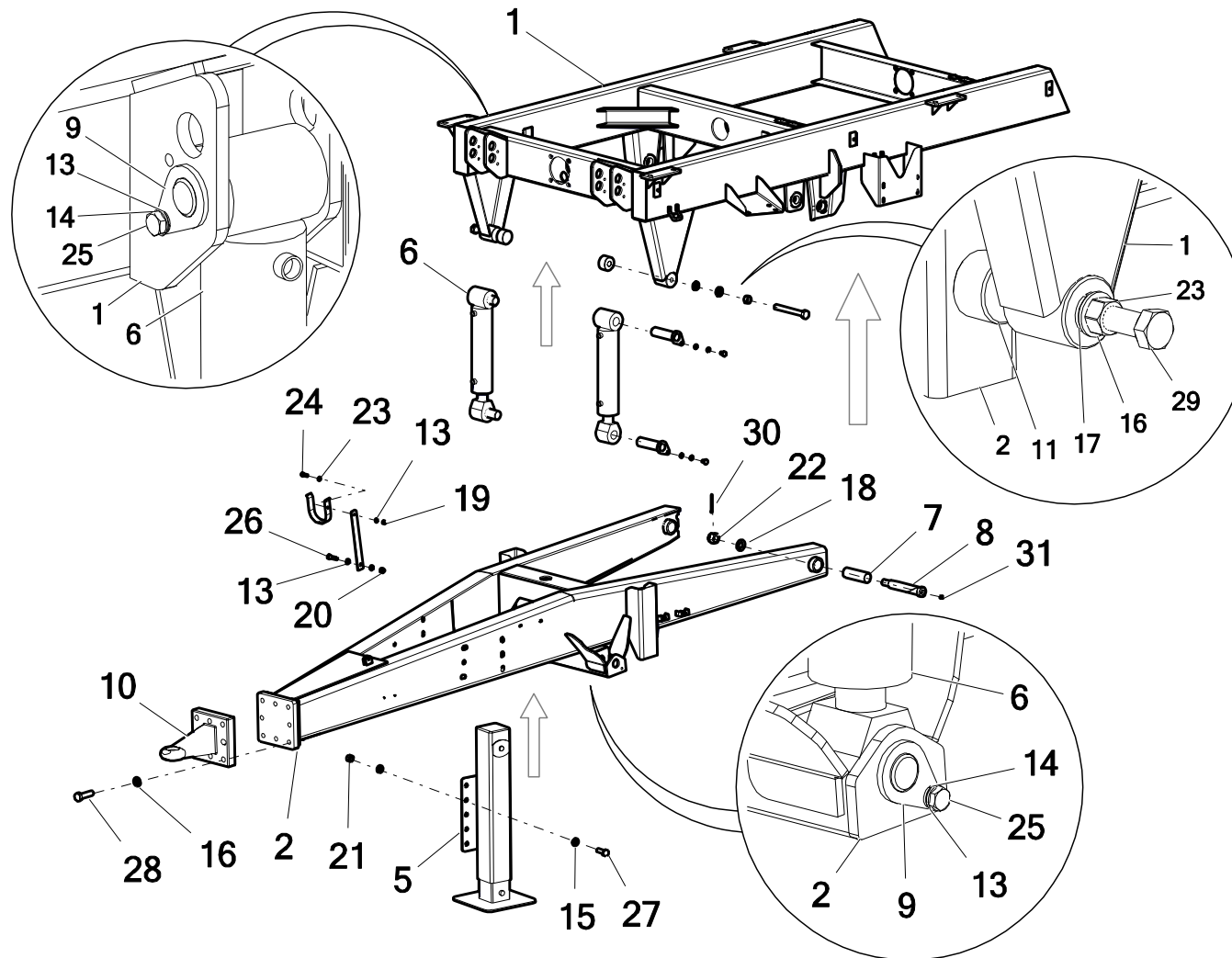
1. HITCH AND SUPPORT FOOT .....	7
2. FRAME AND BODY (WHEEL CHOCKS) .....	11
3. FRAME AND BODY (MUDGUARDS) .....	13
4. SHELL AND FRONT GATE .....	15
5. LADDER AND PANEL ENDS .....	17
6. INSTALLATION OF AN INSPECTION WINDOW .....	19
7. FRONT EXTENSION AND SIDE EXTENSIONS .....	21
8. TAILGATE INDICATOR .....	25
9. REAR TAILGATE .....	27
10. LEFT AUGER OF THE 2-ROTOR VERTICAL ADAPTER (until the end of 2019).....	29
11. 2-ROTOR VERTICAL ADAPTER (until the end of 2019).....	31
13. 2-ROTOR 4-BLADE VERTICAL ADAPTER (from the beginning of 2020).....	37
14. AUGER OF THE 2-ROTOR HORIZONTAL DISC ADAPTER.....	41
15. HORIZONTAL 2-ROTOR DISC ADAPTER .....	43
16. LIGHT BAR, COMPLETE.....	67
17. RUN BAR (MANSFIELD BAR), COMPLETE (OPTIONAL).....	71
18. REAR TAILGATE OF THE 2-ROTOR VERTICAL ADAPTER .....	73

19. TAILGATE OF THE 2-ROTOR HORIZONTAL DISC ADAPTER .....	77
20. SYNCHRONISER SHAFT, COMPLETE .....	79
21. DRIVE SYSTEM OF THE 2-ROTOR VERTICAL AND HORIZONTAL DISC ADAPTERS .....	81
22. REAR SHAFT .....	85
23. REAR SCRAPER .....	89
24. FLOOR CONVEYOR .....	91
25. TENSIONER, COMPLETE .....	93
26. TANDEM TYPE SUSPENSION - N272/3 (14t) - VIKING .....	95
27. TANDEM TYPE SUSPENSION WITH A STEERING AXLE - N272/6 (18t) - VIKING .....	99
28. TANDEM TYPE SUSPENSION - N272/6 (18t) - VIKING .....	103
29. HANDBRAKE, COMPLETE .....	107
30. ELECTRICAL INSTALLATION .....	109
31. PNEUMATIC BRAKING SYSTEM .....	113
32. PNEUMATIC BRAKING SYSTEM – STEERING AXLE .....	121
33. PNEUMATIC BRAKING SYSTEM WITH ALB .....	131
34. PNEUMATIC BRAKING SYSTEM WITH ALB – STEERING AXLE .....	141
35. HYDRAULIC BRAKE SYSTEM .....	151
36. HYDRAULIC BRAKING SYSTEM – STEERING AXLE .....	157
37. HYDRAULIC-PNEUMATIC BRAKING SYSTEM .....	163

38. HYDRAULIC-PNEUMATIC BRAKING SYSTEM - STEERING AXLE.....	175
39. HYDRAULIC-PNEUMATIC BRAKING SYSTEM WITH ALB .....	187
40. HYDRAULIC-PNEUMATIC BRAKING SYSTEM WITH ALB – STEERING AXLE.....	199
41. HYDRAULIC SYSTEM OF THE STEERING AXLE .....	211
42. BRAKE VALVE, COMPLETE – KNORR.....	213
43. BRAKE VALVE, COMPLETE – HALDEX .....	215
44. FIVE-SECTION HYDRAULIC SYSTEM, COMPLETE .....	217
45. SIX-SECTION HYDRAULIC SYSTEM, COMPLETE .....	218
46. SIX-SECTION HYDRAULIC SYSTEM - horizontal adapter guard section .....	219
47. SIX-SECTION HYDRAULIC SYSTEM - gate valve section.....	225
48. SIX-SECTION HYDRAULIC SYSTEM - floor conveyor section.....	229
49. SIX-SECTION HYDRAULIC SYSTEM - extension panel section .....	233
50. SIX-SECTION HYDRAULIC SYSTEM – drawbar shock absorption section .....	237
51. SIX-SECTION HYDRAULIC SYSTEM - hydraulic foot section.....	241
52. FIVE-SECTION HYDRAULIC SYSTEM WITH A DISTRIBUTOR, COMPLETE .....	243
53. SIX-SECTION HYDRAULIC SYSTEM WITH A DISTRIBUTOR, COMPLETE .....	244
54. SIX-SECTION HYDRAULIC SYSTEM WITH A DISTRIBUTOR - horizontal adapter guard section .....	245
55. SIX-SECTION HYDRAULIC SYSTEM WITH A DISTRIBUTOR - gate valve section .....	251
56. SIX-SECTION HYDRAULIC SYSTEM WITH A DISTRIBUTOR - floor conveyor section.....	253

57. SIX-SECTION HYDRAULIC SYSTEM WITH A DISTRIBUTOR - expansion panel section .....	257
58. SIX-SECTION HYDRAULIC SYSTEM WITH A DISTRIBUTOR – drawbar shock absorption section .....	261
59. SIX-SECTION HYDRAULIC SYSTEM WITH A DISTRIBUTOR - support foot section .....	265
60. FIVE-SECTION HYDRAULIC SYSTEM WITH A DISTRIBUTOR - control section .....	267
61. SIX-SECTION HYDRAULIC SYSTEM WITH A DISTRIBUTOR - control section.....	273
62. SIX-SECTION HYDRAULIC SYSTEM WITH A DISTRIBUTOR - distributor section.....	277
63. NOTES .....	279

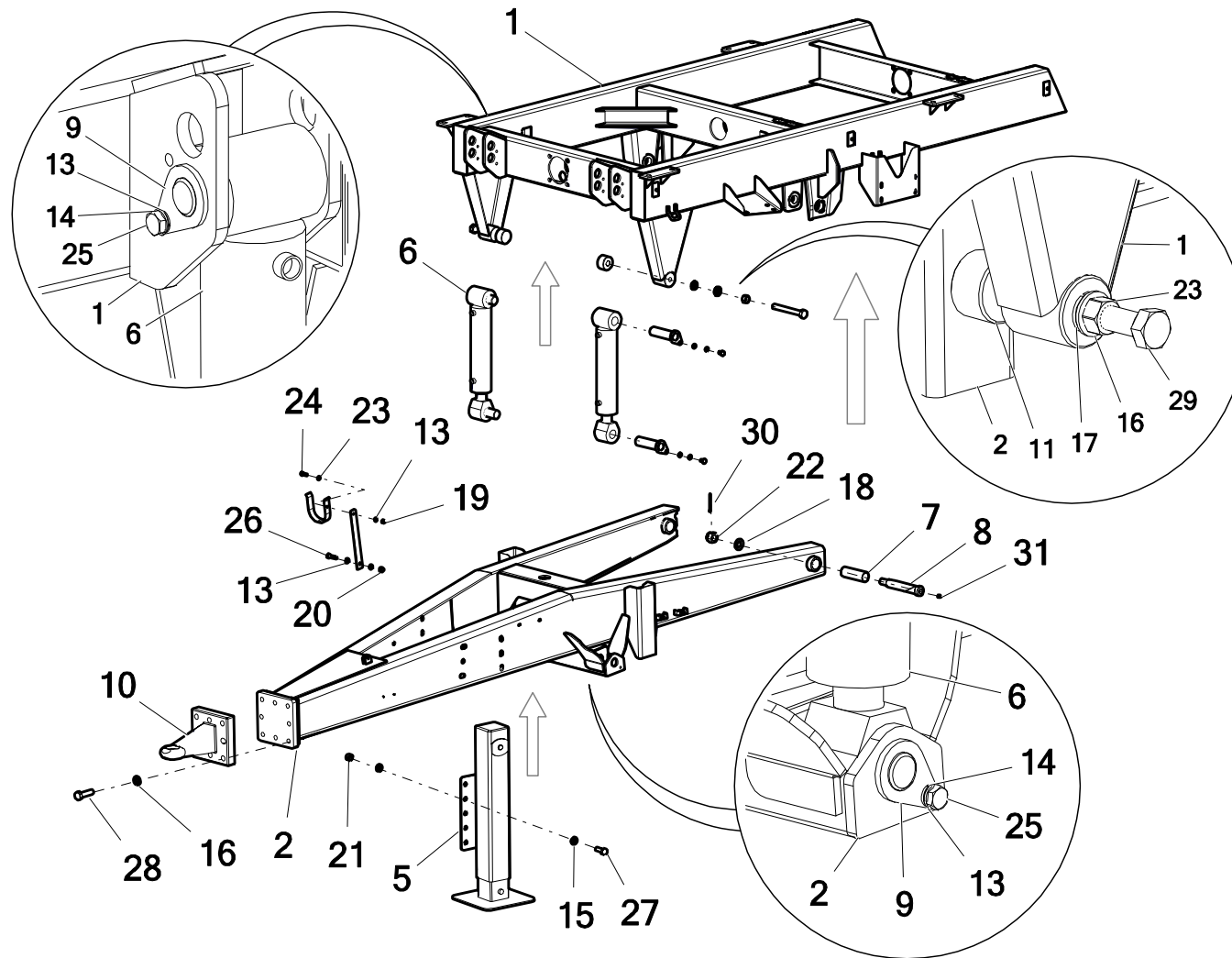
# 1. HITCH AND SUPPORT FOOT



No.	Part or assembly name	Fig. or index No.			
		N272/3	Volume	N272/6	Volume
1	Lower frame	N272-3 01.00.00.1	1	N272-6 01.00.00.2	1
2	Hitch (Viking)	N272-3 01.07.00	1	N272-3 01.07.00	1
3	Support eye	N267 02.03.302	1	N267 02.03.302	1
4	Shaft support arm	N267 02.03.405	1	N267 02.03.405	1
5	Welded hydraulic foot	N274 16.01.00	1	N274 16.01.00	1
6	Membrane	POD-OGL-000722	2	POD-OGL-000722	2
7	Slide bushing	N274 02.00.12.1	2	N274 02.00.12.1	2
8	Drawbar pin	N274 02.00.13.1	2	N274 02.00.13.1	2
9	Sprung drawbar pin	N272/3 01.08.00	4	N272/3 01.08.00	4
10*	Catch 00.654.22.1	POD-ODL-000039	1	POD-ODL-000039	1
11	Hitch bumper	N272/3 01.09.01	2	N272/3 01.09.01	2
12	Round washer 8, galv. 82005	23P8OOC	2	23P8OOC	2
13	Round washer 10, galv. 82005	23P1082005	2	23P1082005	2
14	Spring washer 10.2 galv. 82008 82008	23P10SP	4	23P10SP	4
15	Round washer 16, galv. 82005	23P16OOC	12	23P16OOC	12
16	Round washer 20, galv. 82005	23P20OOC	10	23P20OOC	10
17	Spring washer 20.5, galv. 82008 82008	23P20SP	2	23P20SP	2
18	Round washer 24, galv. 82005	23P24OC	2	23P24OC	2



# 1. HITCH AND SUPPORT FOOT



No.	Part or assembly name	Fig. or index No.			
		N272/3	Volume	N272/6	Volume
19	Self-locking nut M8, galv. 82175	23NS8OC	1	23NS8OC	1
20	Self-locking nut M10, galv. 82175	23NS10OC	1	23NS10OC	1
21	Self-locking nut M16, galv. 82175	23NS16OC	6	23NS16OC	6
22	Castellated nut M24 cl. 8, galv. 82144	POD-ELZ-000396	2	POD-ELZ-000396	2
23	Nut M20 galv. 8.8 82105	23N20OC	2	23N20OC	2
24	Bolt M8 x 25 galv. - 8.8 82105	23S8/25OC8.8	1	23S8/25OC8.8	1
25	Bolt M10 x 16 galv. - 8.8 82105	23S10/16OC8.8	4	23S10/16OC8.8	4
26	Bolt M10 x 40 galv. - 8.8 82105	23S10/40OC8.8	1	23S10/40OC8.8	1
27	Bolt M16 x 35 galv. - 8.8 82105	23S16/358.8 OC	6	23S16/358.8 OC	6
28	Bolt M20 x 65 galv. - 10.9 82101	POD-ELZ-000386	8	POD-ELZ-000386	8
29	Bolt M20 x 160 galv. - 10.9 82101	POD-ELZ-000743	2	POD-ELZ-000743	2
30	Cotter pin 8.80, galv.	POD-ELZ-000844	3	POD-ELZ-000844	3
31	Straight lubricating nipple M10 x 1	23SM10/1	2	23SM10/1	2

**Key:**

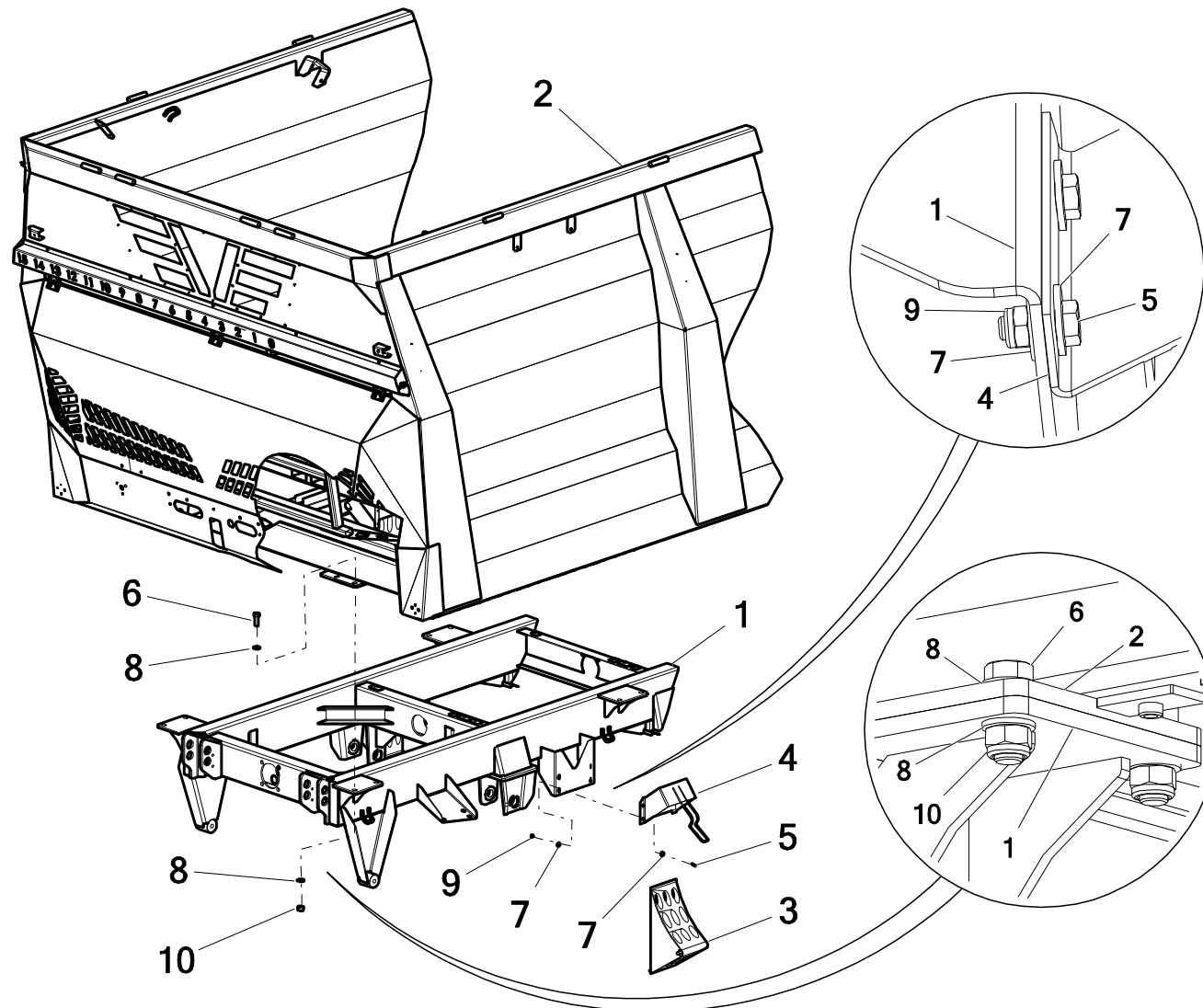
**10\*** - Also available as an OPTION:

POD-ODL-000039 - **Hitch 00.654.22.1** (fixed drawbar eye diam. 40)

POD-ODL-000058 - **Hitch 00.654.43.0** (rotating drawbar eye diam. 50)

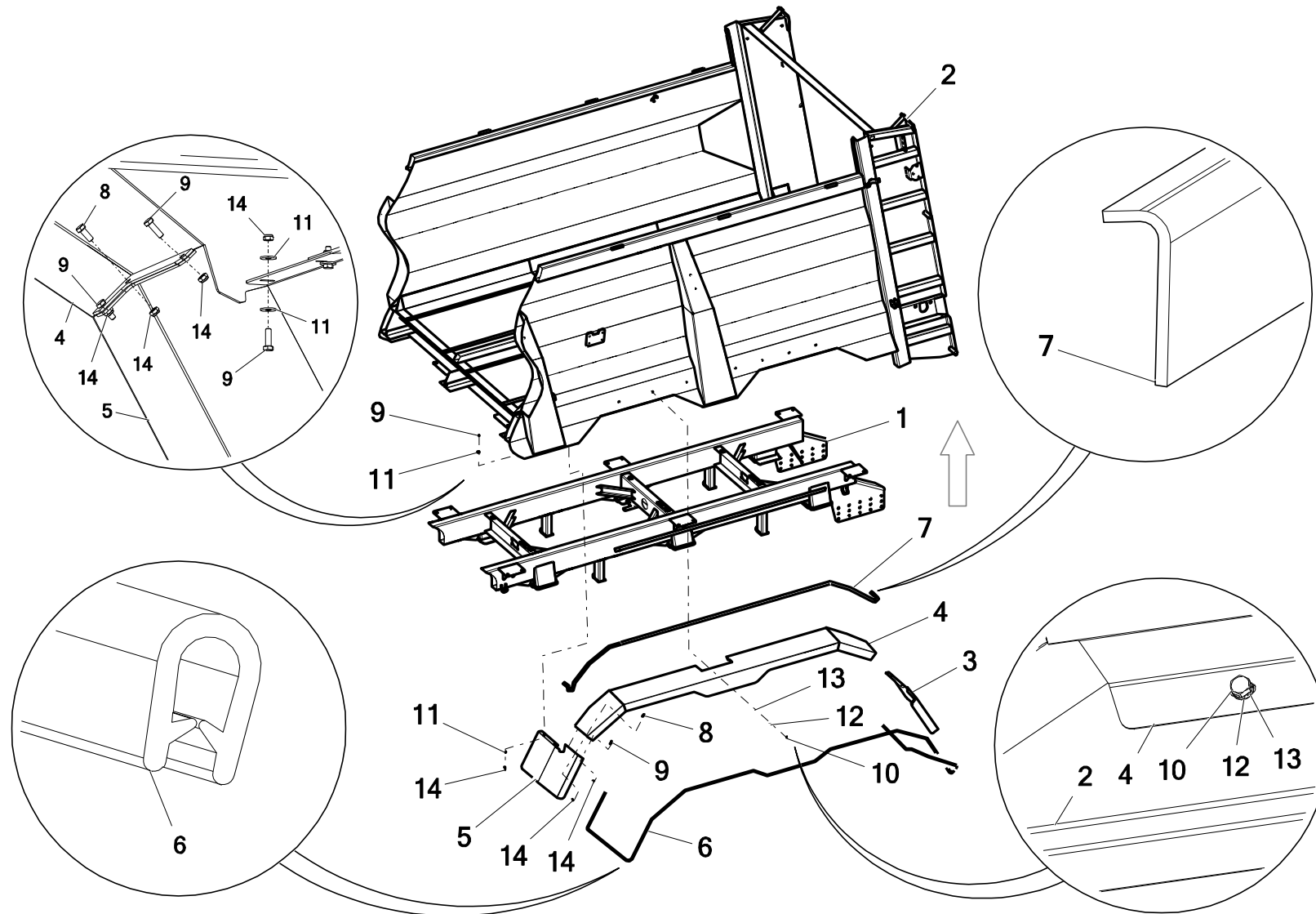
POD-ODL-000066 - **Hitch 00.650.90-1** (K80 ball hitch)

## 2. FRAME AND BODY (WHEEL CHOCKS)



No.	Part or assembly name	Fig. or index No.			
		N272/3	Volume	N272/6	Volume
1	Lower frame	N272-3 01.00.00.1	1	N272-6 01.00.00.2	1
2	Shell (VIKING 14-18t)	N272-3 03.01.00.3	1	N272-3 03.01.00.3	1
3	Wheel chock	POD-OGL-000027-1	2	POD-OGL-000027-1	2
4	Chock grip	POD-OGL-000028-1	2	POD-OGL-000028-1	2
5	Bolt 6 x 16 galv. 8.8 82105 82105 8.8	23S6/16 8.8OC	8	23S6/16 8.8OC	8
6	Screw 16 x 45 galv. 8.8 82105 82105	23S16/45OC	16	23S16/45OC	16
7	Round washer 6 galv. coated 82030	23P6OC030	16	23P6OC030	16
8	Round washer 16 galv. 82005 82005	23P16OOC	32	23P16OOC	32
9	Self-locking nut M6 galv. 82175 8 82175 8	23NS6OC	8	23NS6OC	8
10	Self-locking nut M16 galv. 82175 8 82175 8	23NS16OC	16	23NS16OC	16

### 3. FRAME AND BODY (MUDGUARDS)

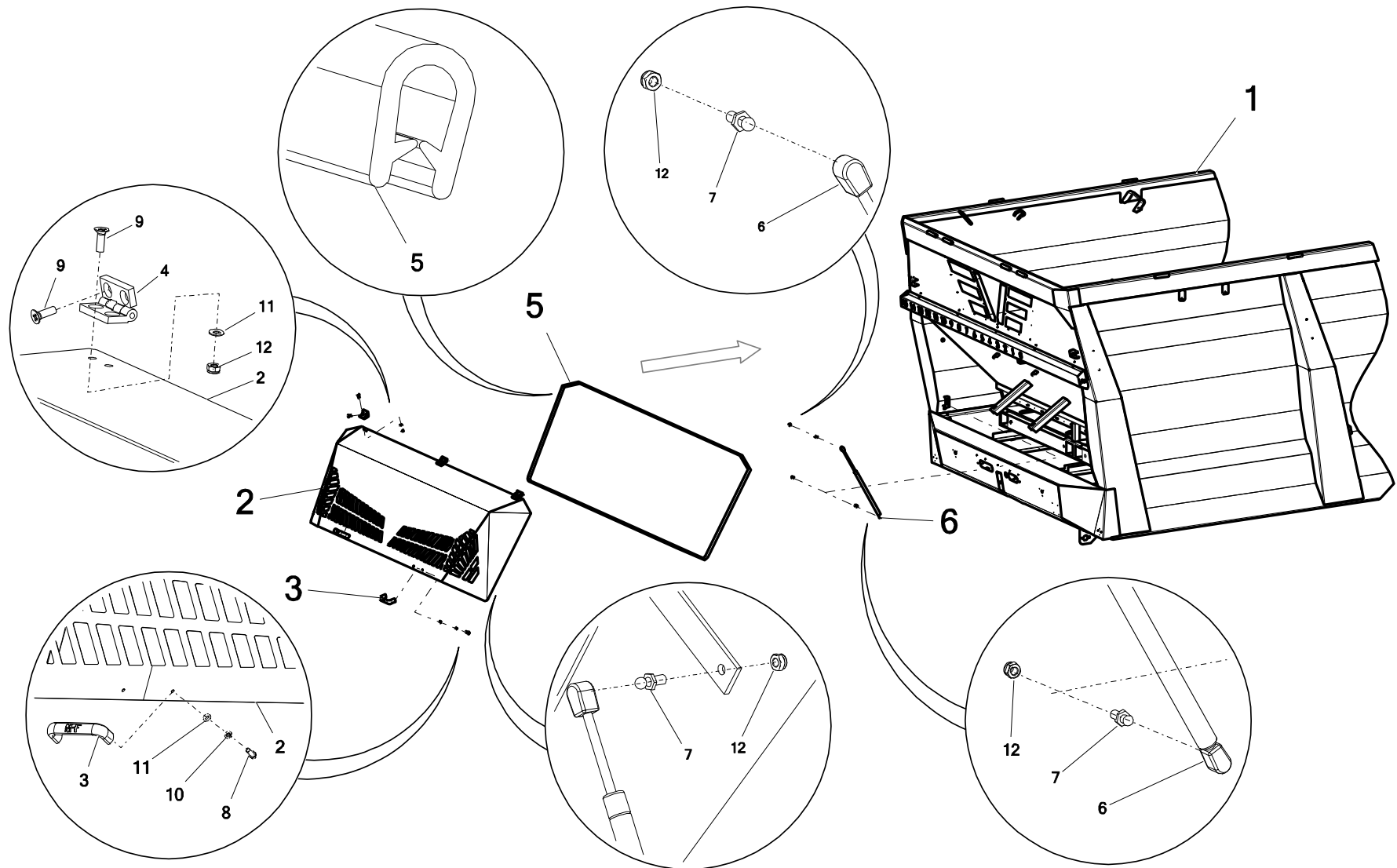


No.	Part or assembly name	Fig. or index No.			
		N272/3	Volume	N272/6	Volume
1	Lower frame	N272-3 01.00.00.1	1	N272-6 01.00.00.2 N272-6 01.00.00.2S	1
2	Shell (VIKING 14-18t)	N272-3 03.01.00.3	1	N272-3 03.01.00.3	1
3	Mudguard wheel arch, right side	N272-3 03.31.00.1P	1	N272-3 03.31.00.1P	1
4	Primary mudguard, left side	N272-3 03.30.00.1L	1	N272-3 03.30.00.1L	1
4*	Primary mudguard, right side	N272-3 03.30.00.1P	1	N272-3 03.30.00.1P	1
5	Mudguard wheel arch, left side	N272-3 03.31.00.1L	1	N272-3 03.31.00.1L	1
6	Edge gasket 2 mm	POD-TSZ-000192	9 m	POD-TSZ-000192	9 m
7	Rim gasket	POD-TSZ-000193	5.6 m	POD-TSZ-000193	5.6 m
8	Bolt 6 x 16 galv. 8.8 82105 82105 8.8	23S6/16 8.8OC	4	23S6/16 8.8OC	4
9	Bolt 6 x 20 galv. 8.8 82105 82105 8.8	23S6/20	2	23S6/20	2
10	Bolt 8 x 20 galv. 8.8 82105 82105	23S8/20OC 8.8	14	23S8/20OC 8.8	14
11	Round washer 6 galv. coated 82030	23P6OC030	16	23P6OC030	16
12	Spring washer 8.2 galv. 82008 82008	23P8SPOC	14	23P8SPOC	14
13	Round washer 8 galv. 82005 82005	23P8OOC	16	23P8OOC	16
14	Self-locking nut M6 galv. 82175 8 82175 8	23NS6OC	34	23NS6OC	34

**Key:**

**4\*** - the part is located on the other side of the spreader

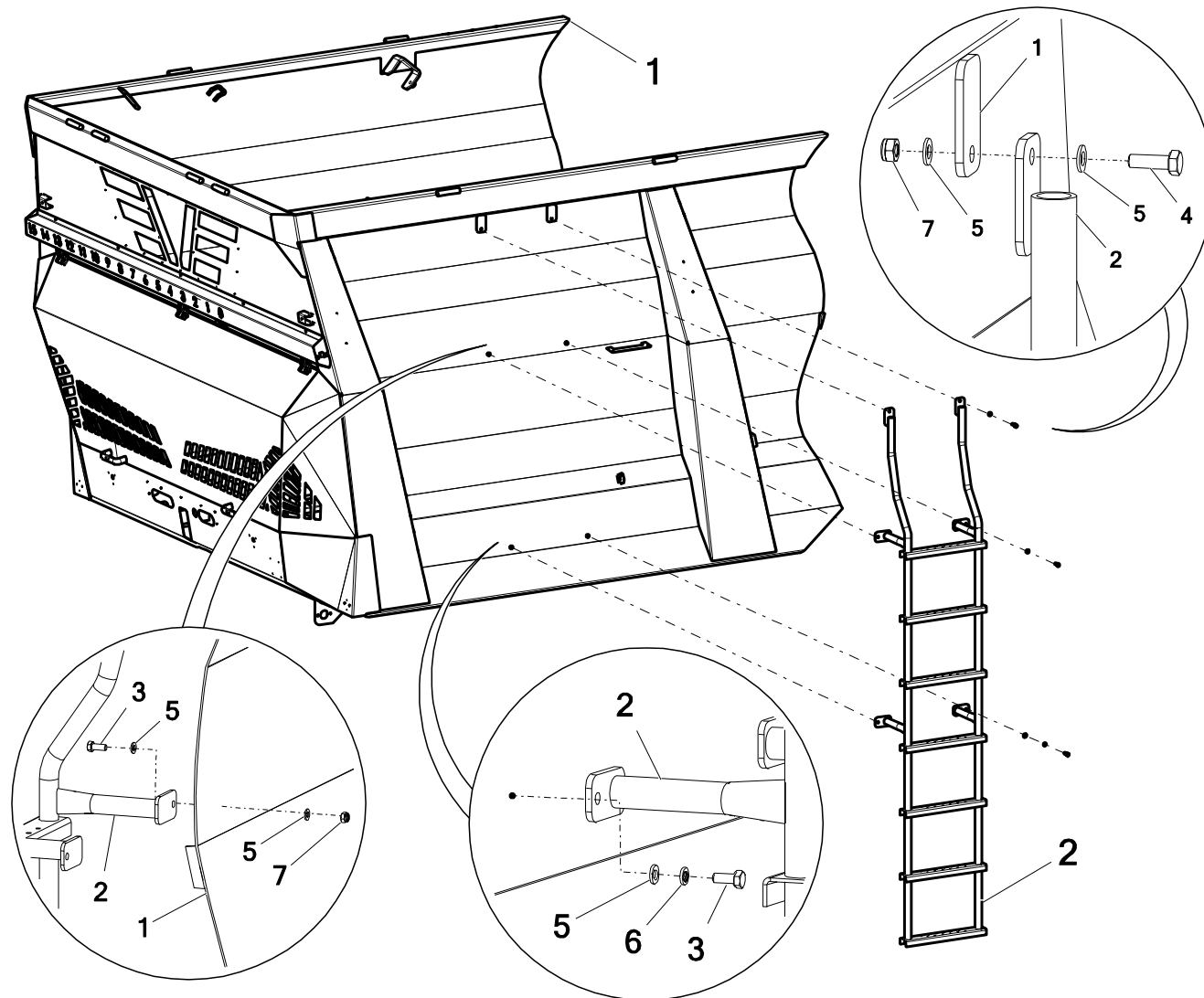
#### 4. SHELL AND FRONT GATE



No.	Part or assembly name	Fig. or index No.			
		N272/3	Volume	N272/6	Volume
1	Shell (VIKING 14-18t)	N272-3 03.01.00.3	1	N272-3 03.01.00.3	1
2	Front gate	N272-3 07.01.00	1	N272-3 07.01.00	1
3	Panel holder 465934	POD-TSZ-000195	2	POD-TSZ-000195	2
4	Hinge N272 3.511.12 60 x 60, metal	POD-OGL-001043	3	POD-OGL-001043	3
5	Edge gasket 2 mm	POD-TSZ-000192	6 m	POD-TSZ-000192	6 m
6	Gas spring 23179-L599 440 N; travel 190	28SG21768	2	28SG21768	2
7	Gas spring pin I-25014	POD-OGL-000519	4	POD-OGL-000519	4
8	Bolt 8 x 20 galv. 8.8 82105 82105	23S8/20OC 8.8	4	23S8/20OC 8.8	4
9	Screw 8 x 25 galv. 82208 82208	23W8/25 OC	12	23W8/25 OC	12
10	Spring washer 8.2 galv. 82008 82008	23P8SPOC	4	Spring washer 8.2 galv. 82008 82008	4
11	Round washer 8 galv. 82005 82005	23P8OOC	10	23P8OOC	10
12	Self-locking nut M8 galv. 82175 8 82175 8	23NS8OC	10	23NS8OC	10

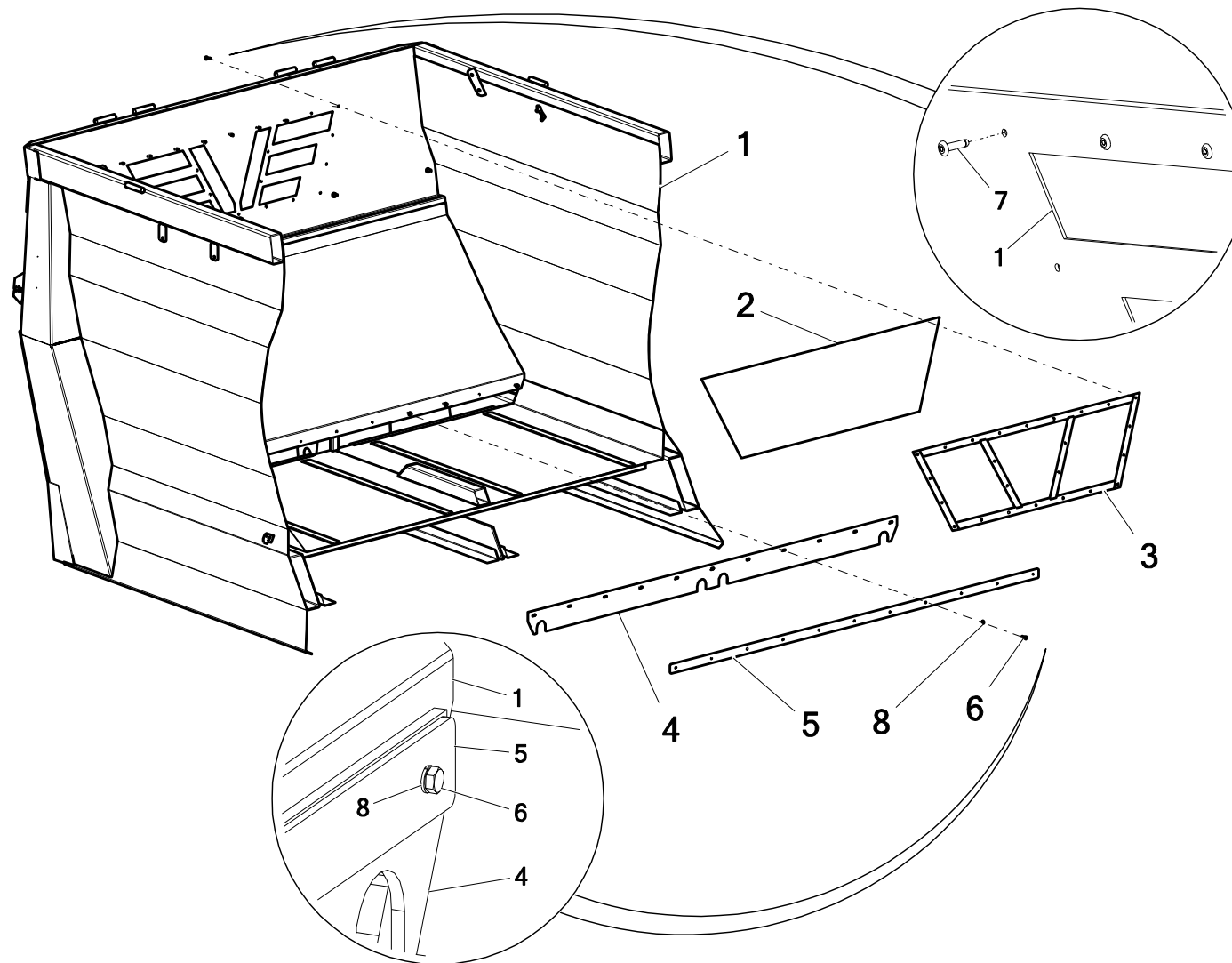


## 5. LADDER AND PANEL ENDS



No.	Part or assembly name	Fig. or index No.			
		N272/3	Volume	N272/6	Volume
1	Body	N272-3 03.01.00.3	1	N272-3 03.01.00.3	1
2	External ladder	N272-3 08.01.00	1	N272-3 08.01.00	1
3	Bolt 8 x 20 galv. 8.8 82105 82105	23S8/20OC 8.8	4	23S8/20OC 8.8	4
4	Bolt 8 x 25 galv. 8.8 82105 82105	23S8/25OC8.8	2	23S8/25OC8.8	2
5	Round washer 8 galv. 82005 82005	23P8OOC	10	23P8OOC	10
6	Spring washer 8.2 galv. 82008 82008	23P8SPOC	2	23P8SPOC	2
7	Self-locking nut M8 galv. 82175 8 82175 8	23NS8OC	4	23NS8OC	4

## 6. INSTALLATION OF AN INSPECTION WINDOW

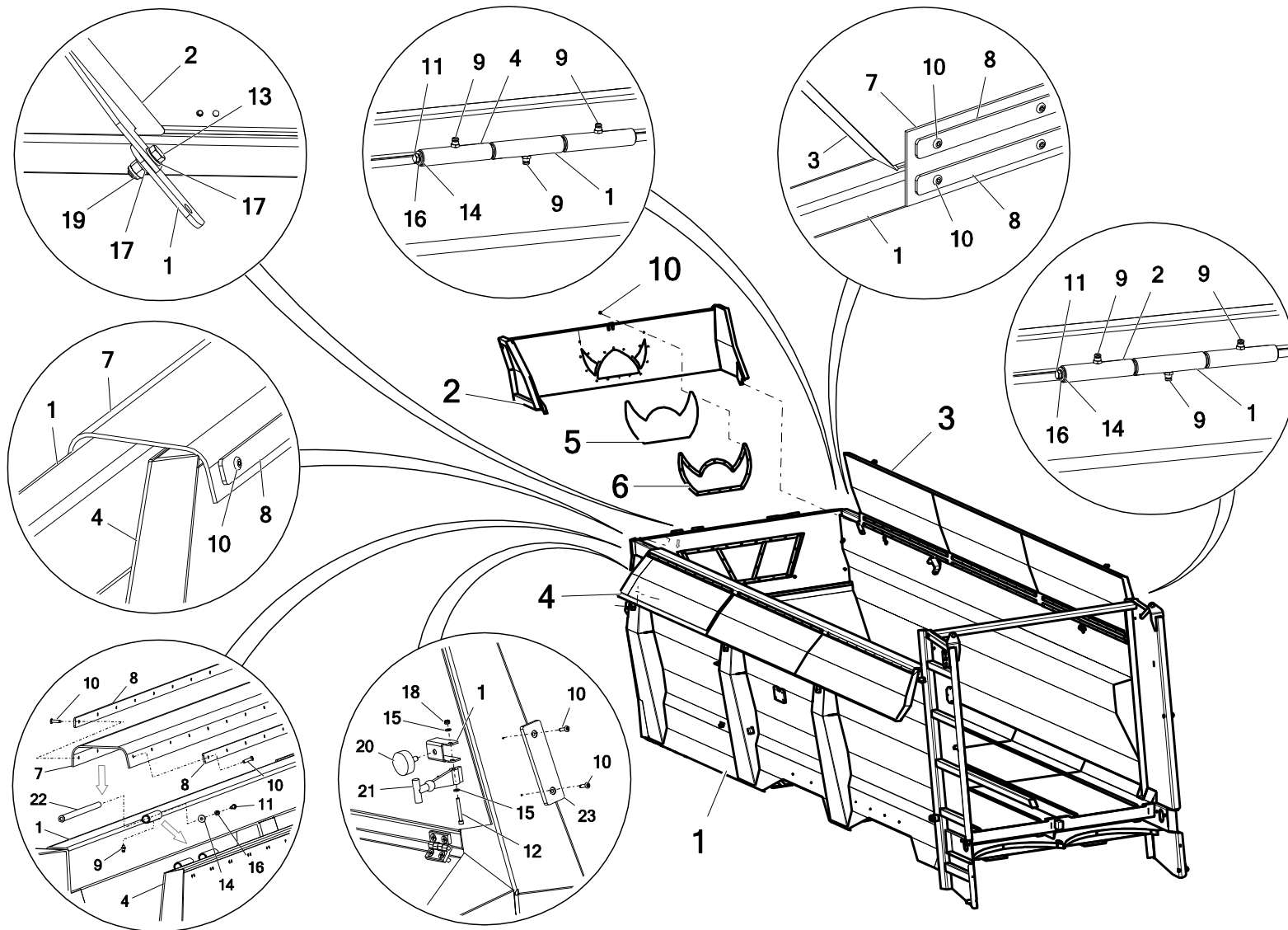


No.	Part or assembly name	Fig. or index No.			
		N272/3	Volume	N272/6	Volume
1	Body	N272-3 03.01.00.3	1	N272-3 03.01.00.3	1
2*	Roll of PVC std b/n 4 x 156	26RPCW4/156	1	26RPCW4/156	1
3	Bottom frame N272-3 03.32.00	N272-3 03.32.00	1	N272-3 03.32.00	1
4	Sealing rubber belt, 3 spacers, 1960 x 200, N272	POD-TSZ-000307	1	POD-TSZ-000307	1
5	Rubber mounting N272 03.00.05	N272 03.00.05	1	N272 03.00.05	1
6	Bolt 6 x 20 galv. 8.8 82105 82105 8.8	23S6/20	11	23S6/20	11
7	Aluminium/steel pop rivet 6 x 20	POD-ELZ-000415	24	POD-ELZ-000415	24
8	Spring washer, 6.1 galv. 82008 82008	23P6SPOC	11	23P6SPOC	11

**Key:**

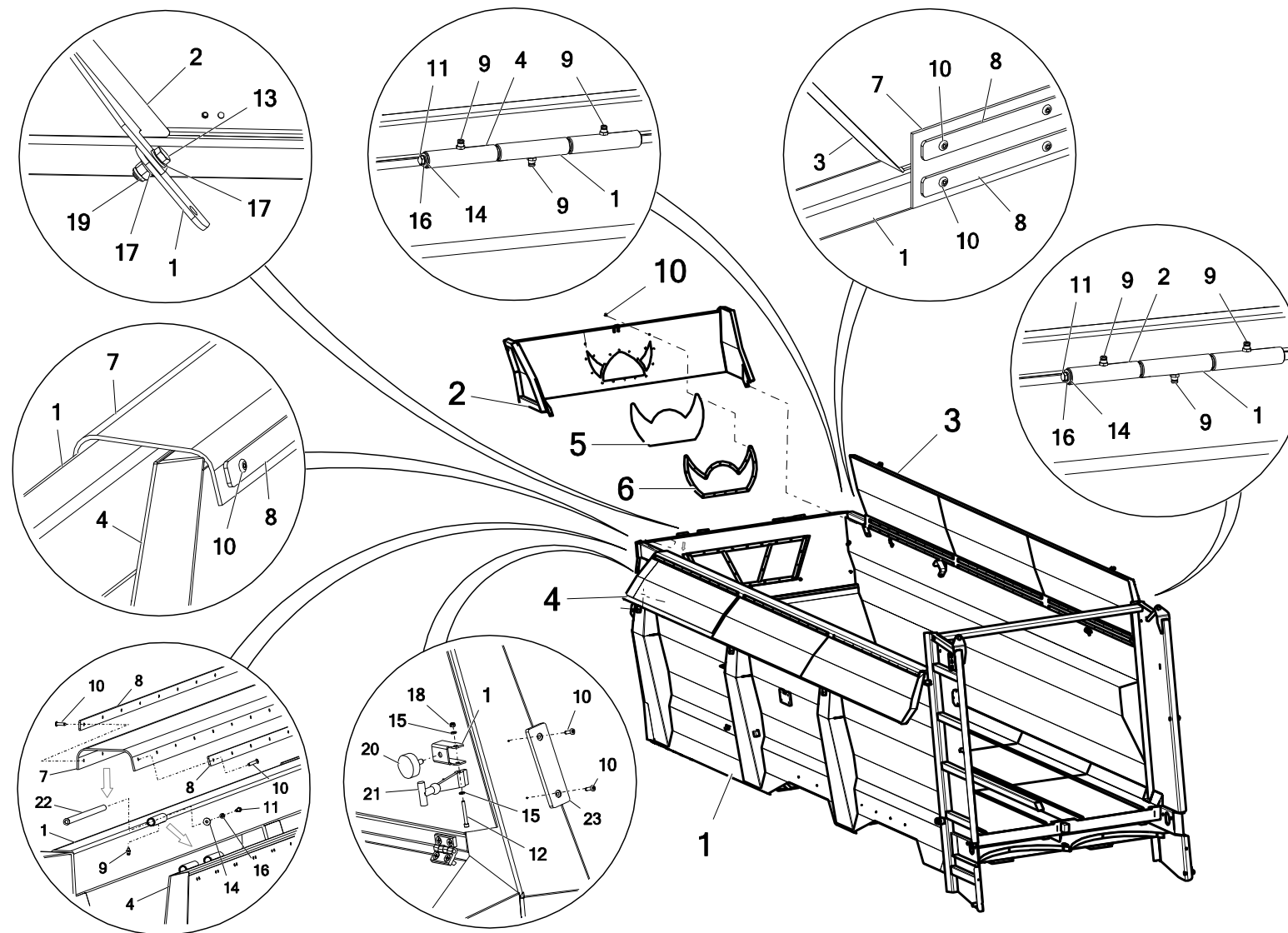
2\* - the item is supplied in the form of a 1250 x 390 roll; its shape must be copied from item **N272-3 03.32.00 (item 3)**

## 7. FRONT EXTENSION AND SIDE EXTENSIONS



No.	Part or assembly name	Fig. or index No.			
		N272/3	Volume	N272/6	Volume
1	Body	N272-3 03.01.00.3	1	N272-3 03.01.00.3	1
2	Front extension N272-3 05.04.00.1	N272-3 05.04.00.1	1	N272-3 05.04.00.1	1
3*	Side extension, rotating, right side N272-3 05.05.00.2P	N272-3 05.05.00.2P	1	N272-3 05.05.00.2P	1
4*	Side extension, rotating, right side N272-3 05.05.00.2L	N272-3 05.05.00.2L	1	N272-3 05.05.00.2L	1
5*	Roll of PVC std b/n 4 x 156	26RPCW4/156	1	26RPCW4/156	1
6	Top frame N272-3 05.03.00	N272-3 05.03.00	1	N272-3 05.03.00	1
7*	Rubber belt 4 x 215 x 4575, acc. to Fig. N272-3 05.10.04	POD-TSZ-000182	2	POD-TSZ-000182	2
8*	Rubber mounting N272-3 05.10.03	N272-3 05.10.03	12	N272-3 05.10.03	12
9*	Lubricating nipple M6 x 1.0 straight	23SM	36	23SM	36
10	Aluminium/steel pop rivet 6 x 20	POD-ELZ-000415	132	POD-ELZ-000415	132
11	Bolt 6 x 20 galv. 8.8 82105 82105 8.8	23S6/20	10	23S6/20	10
12	Allen bolt 6 x 50 galv. 8.8 82302	POD-ELZ-000752	2	POD-ELZ-000752	2
13	Bolt 12 x 35 galv. 10.9, 82105	POD-ELZ-000715	2	POD-ELZ-000715	2

## 7. FRONT EXTENSION AND SIDE EXTENSIONS



No.	Part or assembly name	Fig. or index No.			
		N272/3	Volume	N272/6	Volume
14	Round washer 6 galv. coated 82030	23P6OC030	10	23P6OC030	10
15	Round washer 6 galv. 82005 82005	23P6OOC	4	23P6OOC	4
16	Spring washer, 6.1 galv. 82008 82008	23P6SPOC	10	23P6SPOC	10
17	Round washer 12 galv. 82005	23P12OC	4	23P12OC	4
18	Self-locking nut M6 galv. 82175 8 82175 8	23NS6OC	2	23NS6OC	2
19	Self-locking nut M12 galv. class 10	POD-ELZ-000589	2	POD-ELZ-000589	2
20	Rubber bumper 50 x 18 M10	POD-TSZ-000107	2	POD-TSZ-000107	2
21	Lever support	POD-TSZ-000129	2	POD-TSZ-000129	2
22	Hinge for extension panel, complete N272-3 05.07.00	N272-3 05.07.00	12	N272-3 05.07.00	12
23	Rubber shock absorber 180 x 50 x 10	POD-TSZ-000045	6	POD-TSZ-000045	6

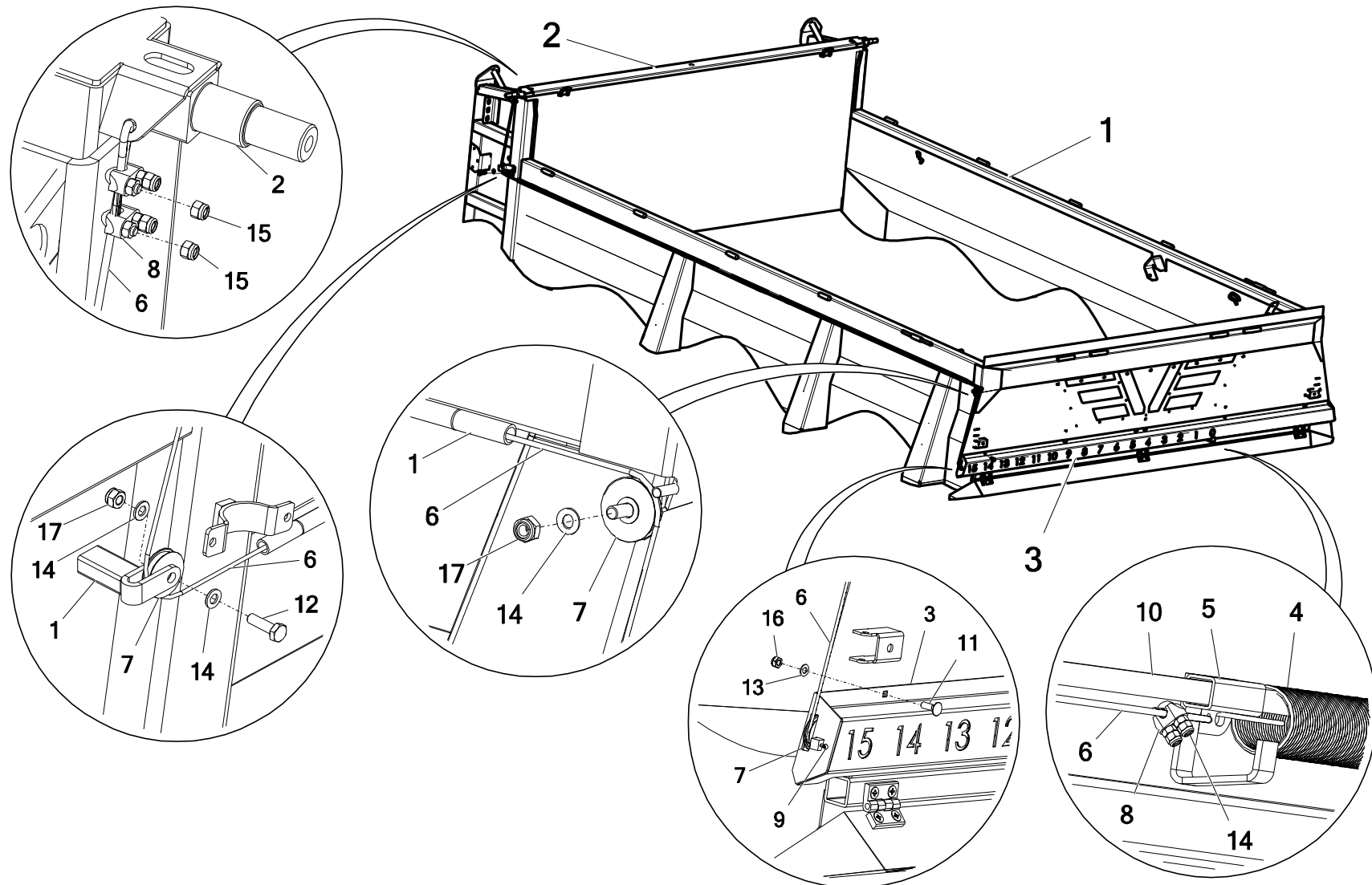
**Key:**

**5\*** - the item is supplied in the form of a 400 x 730 roll; its shape must be copied from item **N272-3 05.03.00 (item 6)**

**3\*- 5\*; 7\*- 9\*** - included in: Set of rotating side extensions - **N272-3 05.00.00**

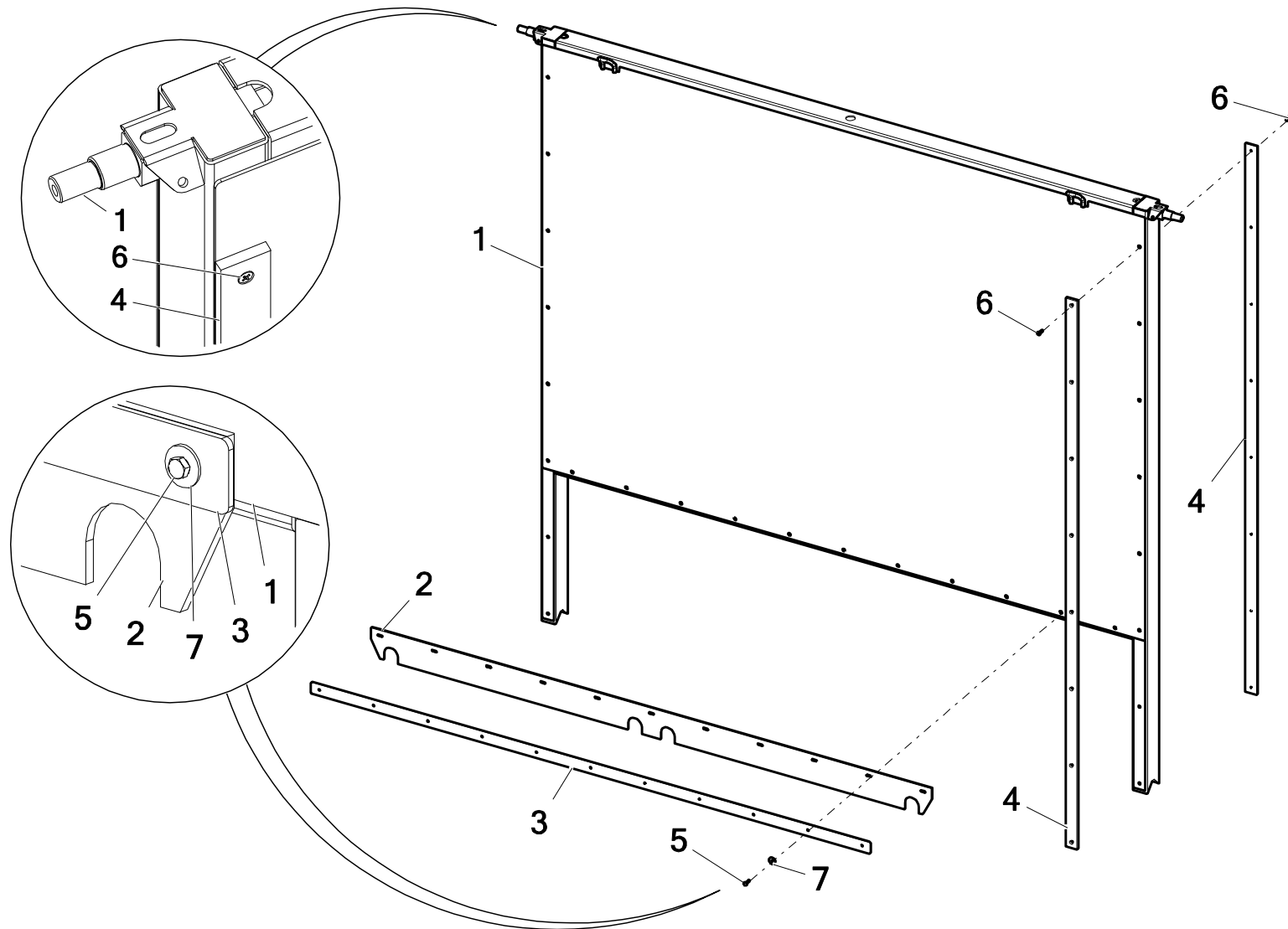


## 8. TAILGATE INDICATOR



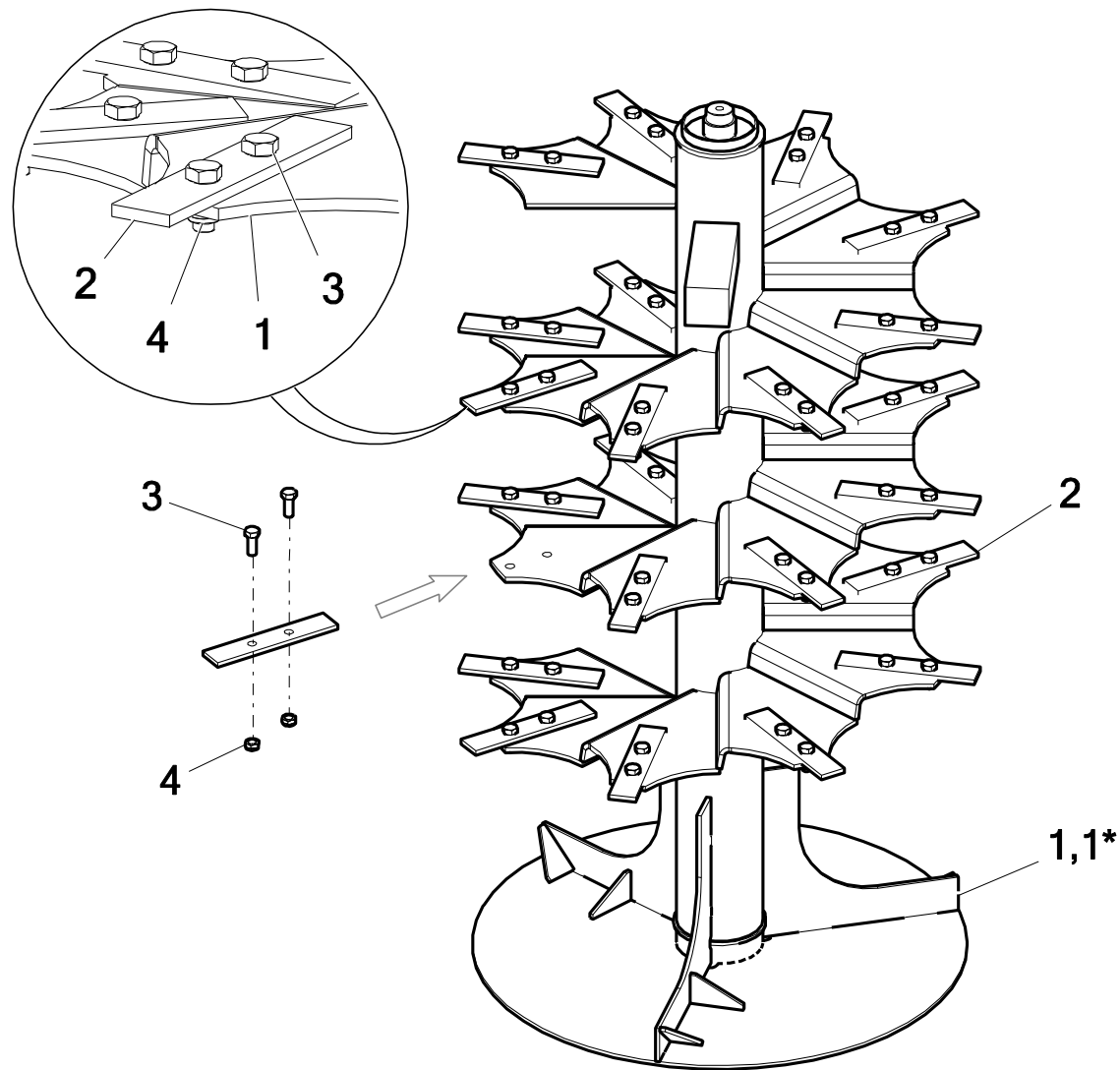
No.	Part or assembly name	Fig. or index No.			
		N272/3	Volume	N272/6	Volume
1	Body	N272-3 03.01.00.3	1	N272-3 03.01.00.3	1
2	Rear gate valve N272-3 04.01.00	N272-3 04.01.00	1	N272-3 04.01.00	1
3	Tailgate indicator N272-3 03.33.00.1	N272-3 03.33.00.1	1	N272-3 03.33.00.1	1
4	Tension spring 3/43/2083/170 galv. (maz-7625)	POD-SPR-000083	1	POD-SPR-000083	1
5	Indicator slider N272-3 03.34.00	N272-3 03.34.00	1	N272-3 03.34.00	1
6	Steel cable 4 mm	23LS4	9 m	23LS4	9 m
7	Rope pulley N267 02.01.26	N267 02.01.26	3	N267 02.01.26	3
8	Cable clamp 5 mm	23ZL	3	23ZL	3
9	Cotter pin 4 x 32 galv.	POD-ELZ-000542	2	POD-ELZ-000542	2
10	Indicator guide N272-3 03.35.01	N272-3 03.35.01	1	N272-3 03.35.01	1
11	Carriage bolt 8 x 25 galv. 8.8 82406 82406	23S8/25OC 82406	5	23S8/25OC 82406	5
12	Bolt 10 x 35 galv. 8.8 82105 82105	23S10/35OC 8.8	1	23S10/35OC 8.8	1
13	Round washer 8 galv. 82005 82005	23P8OOC	5	23P8OOC	5
14	Round washer 30 galv. 82005 82005	23P10 82005	3	23P10 82005	3
15	Self-locking nut M5 galv. 82175 8	POD-ELZ-000471	3	POD-ELZ-000471	3
16	Self-locking nut M8 galv. 82175 8 82175 8	23NS8OC	5	23NS8OC	5
17	Self-locking nut M10 galv. 82175 8 82175 8	23NS10OC	2	23NS10OC	2

**9. REAR TAILGATE**



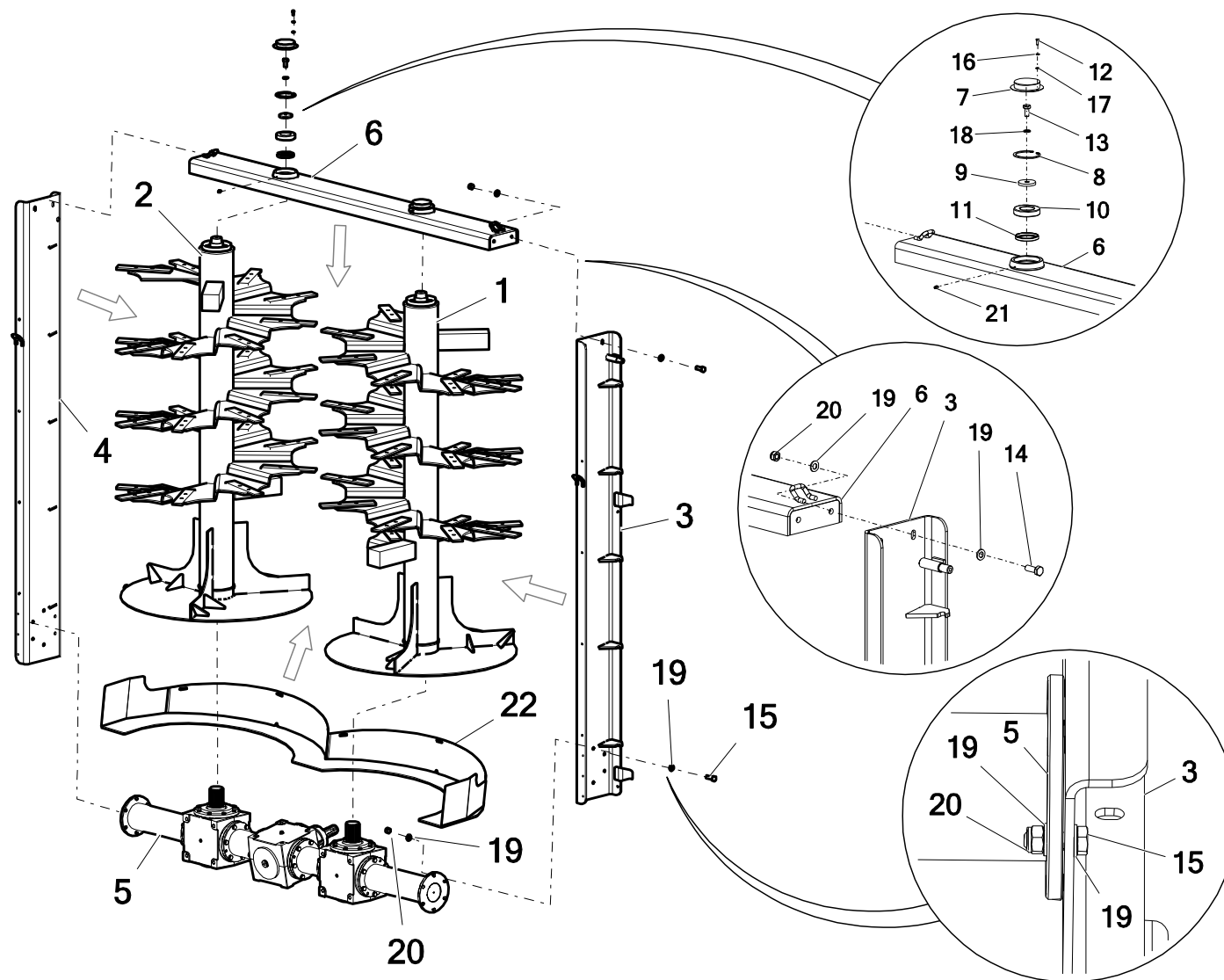
No.	Part or assembly name	Fig. or index No.			
		N272/3	Volume	N272/6	Volume
1	Rear tailgate	N272-3 04.01.00	1	N272-3 04.01.00	1
2	Sealing rubber	POD-TSZ-000307	1	POD-TSZ-000307	1
3	Rubber mounting	N272-3 05.10.03	1	N272-3 05.10.03	1
4	Tecamid slider for the gate valve N272-3 04.02.02, L = 270 mm	POD-TSZ-000200	4	POD-TSZ-000200	4
5	Bolt 6 x 20 galv. 8.8 82105 82105 8.8	23S6/20	11	23S6/20	11
6	Screw 6 x 20 galv. 82208	23W6/20OC	36	23W6/20OC	36
7	Round washer 6 galv. coated 82019	POD-ELZ-000563	11	POD-ELZ-000563	11

### 10. LEFT AUGER OF THE 2-ROTOR VERTICAL ADAPTER (until the end of 2019)



No.	Part or assembly name	Fig. or index No.			
		N272/1	Volume	N272/2	Volume
1	Left auger N272-3 10.11.00L	N272-3 10.11.00L	1	N272-3 10.11.00L	1
1*	Right auger N272-3 10.11.00P	N272-3 10.11.00P	1	N272-3 10.11.00P	1
2	Flat bar (screw blade)	N272 10.11.21	25	N272 10.11.21	25
3	Bolt 16 x 40 galv. 8.8 82105 82105	23S16/40 8.8OC	50	23S16/40 8.8OC	50
4	Self-locking nut M16 galv. 82175 8 82175 8	23NS16OC	50	23NS16OC	50

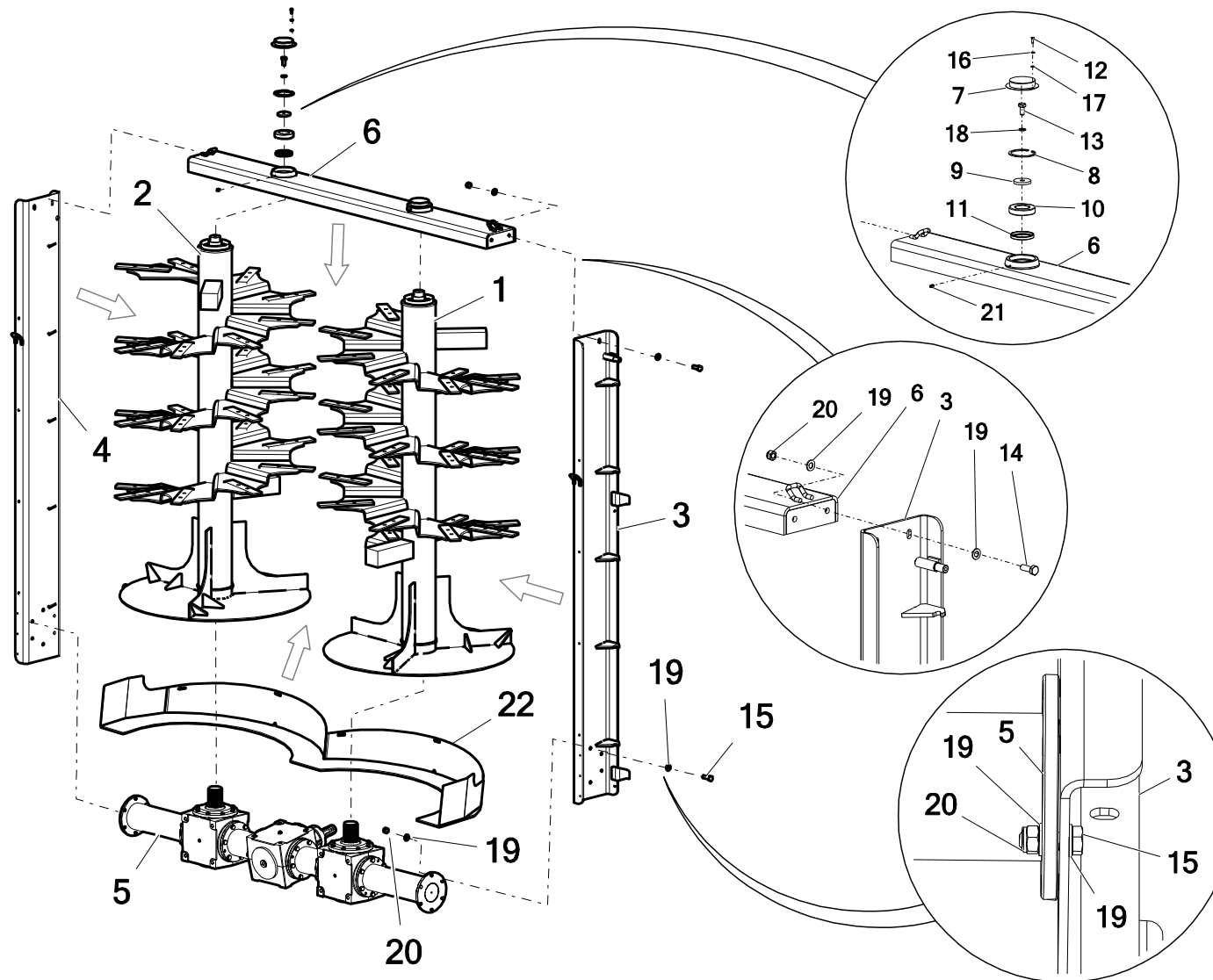
### 11. 2-ROTOR VERTICAL ADAPTER (until the end of 2019)



No.	Part or assembly name	Fig. or index No.			
		N272/3	Volume	N272/6	Volume
1	Right auger	N272-3 10.31.00P	1	N272-3 10.31.00P	1
2	Left auger	N272-3 10.31.00L	1	N272-3 10.31.00L	1
3	Right bar, complete	N272-3 10.13.00.1	1	N272-3 10.13.00.1	1
4	Left bar, complete	N272-3 10.12.00.1	1	N272-3 10.12.00.1	1
5	Gearbox MB10.40, L-2000 mm (2-rotor) NEW	POD-WPS-000272	1	POD-WPS-000272	1
6	Top bar, complete	N272 10.14.00	1	N272 10.14.00	1
7	Top stopper, complete	N272 10.15.00	2	N272 10.15.00	2
8	Circlip W90	POD-ELZ-000464	2	POD-ELZ-000464	2
9	Bearing washer N272 10.14.05	N272 10.14.05	2	N272 10.14.05	2
10	Self-aligning ball bearing 1210QL	POD-LOZ-000185	2	POD-LOZ-000185	2
11	Sealing Ring 60 x 80 x 10	POD-HPZ-000095	2	POD-HPZ-000095	2
12	Bolt 6 x 16 galv. 8.8 82105 82105 8.8	23S6/16 8.8OC	4	23S6/16 8.8OC	4

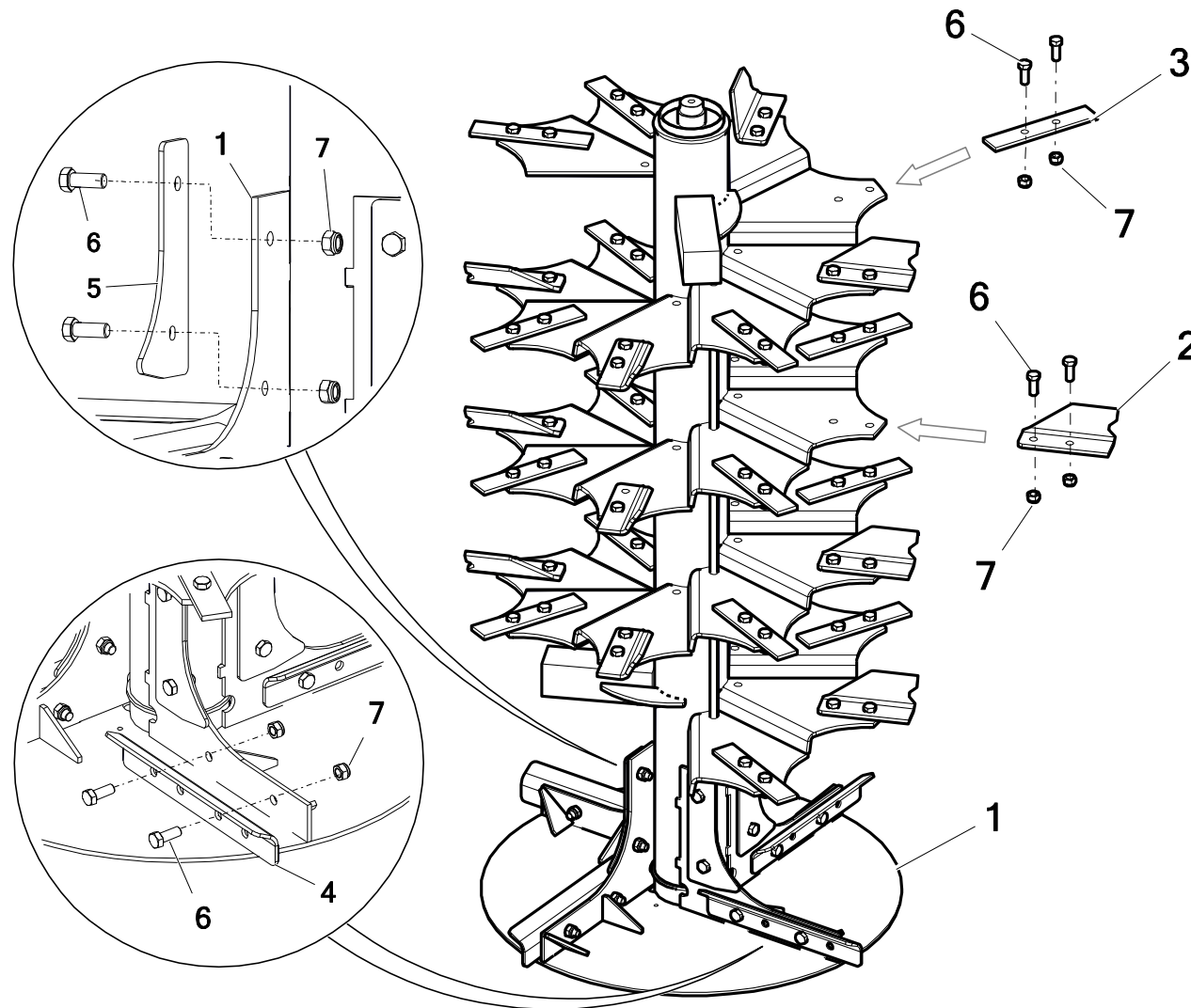


### 11. 2-ROTOR VERTICAL ADAPTER (until the end of 2019)



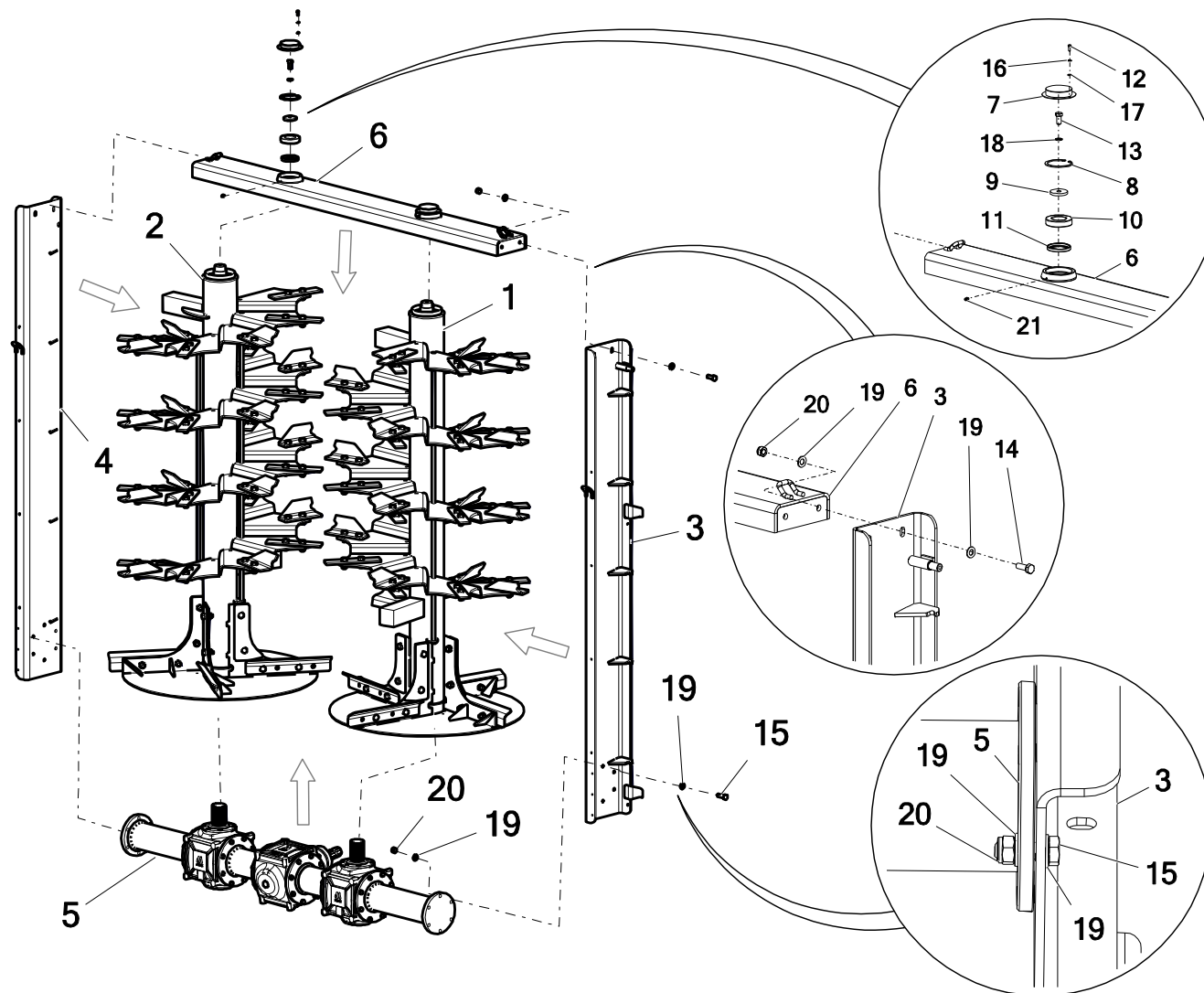
No.	Part or assembly name	Fig. or index No.			
		N272/3	Volume	N272/6	Volume
13	Bolt 14 x 30 galv. 8.8 82105	POD-ELZ-000524	2	POD-ELZ-000524	2
14	Screw 14 x 40 galv. 8.8 82105 82105	23S14/40 8.8	4	23S14/40 8.8	4
15	Screw 14 x 50 galv. 8.8 82105 82105	23S14/50 8.8 82105 OC.	12	23S14/50 8.8 82105 OC.	12
16	Spring washer, 6.1 galv. 82008 82008	23P6SPOC	4	23P6SPOC	4
17	Round washer 6 galv. 82005 82005	23P6OOC	4	23P6OOC	4
18	Spring washer 14.2 galv. 82008 82008	23P14SP	2	23P14SP	2
19	Round washer 14 galv. 82005 82005	23P14OC	32	23P14OC	32
20	Self-locking nut M14 galv. 82175 8 82175 8	23NS14OC	16	23NS14OC	16
21	Lubricating nipple M6 x 1.0 straight	23SM	2	23SM	2
22	Adapter bottom guard	N272-3 13.00.00	1	N272-3 13.00.00	1

## 12. LEFT AUGER OF THE 2-ROTOR 4-BLADE ADAPTER (from the beginning of 2020)



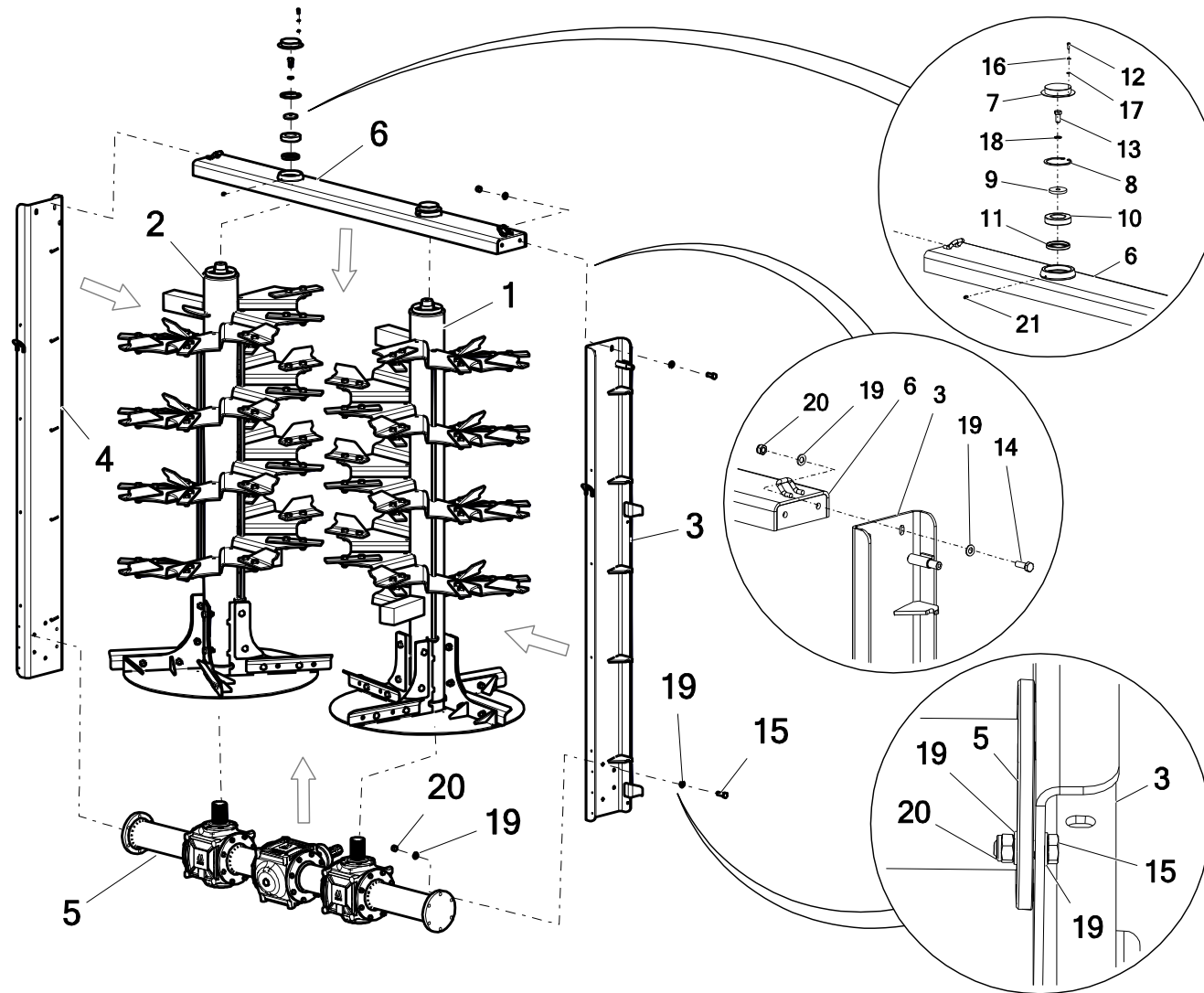
No.	Part or assembly name	Fig. or index No.			
		N272/3	Volume	N272/6	Volume
1	Left auger	N272-3 10.31.00L	1	N272-3 10.31.00L	1
1*	Right auger	N272-3 10.31.00P	1	N272-3 10.31.00P	1
2	Bent out blade, left side	N272 10.31.21L	14	N272 10.31.21L	14
3	Flat bar	N272 10.11.21	16	N272 10.11.21	16
4	Screw-on disc blade (Hardox)	N272 10.31.22.1 (Hardox)	4	N272 10.31.22.1 (Hardox)	4
5	Screw-on side blade	N272 10.31.23	4	N272 10.31.23	4
6	Bolt 16 x 40 galv. 8.8 82105 82105	23S16/40 8.8OC	76	23S16/40 8.8OC	76
7	Self-locking nut M16 galv. 82175 8 82175 8	23NS16OC	76	23NS16OC	76

### 13. 2-ROTOR 4-BLADE VERTICAL ADAPTER (from the beginning of 2020)



No.	Part or assembly name	Fig. or index No.			
		N272/3	Volume	N272/6	Volume
1	Right auger	N272-3 10.31.00P	1	N272-3 10.31.00P	1
2	Left auger	N272-3 10.31.00L	1	N272-3 10.31.00L	1
3	Right bar, complete	N272-3 10.13.00.1	1	N272-3 10.13.00.1	1
4	Left bar, complete	N272-3 10.12.00.1	1	N272-3 10.12.00.1	1
5	Gearbox MB10.40, L-2000 mm (2-rotor) NEW	POD-WPS-000272	1	POD-WPS-000272	1
6	Top bar, complete	N272 10.14.00	1	N272 10.14.00	1
7	Top stopper, complete	N272 10.15.00	2	N272 10.15.00	2
8	Circlip W90	POD-ELZ-000464	2	POD-ELZ-000464	2
9	Bearing washer N272 10.14.05	N272 10.14.05	2	N272 10.14.05	2
10	Self-aligning ball bearing 1210QL	POD-LOZ-000185	2	POD-LOZ-000185	2
11	Sealing ring 60 x 80 x 10	POD-HPZ-000095	2	POD-HPZ-000095	2
12	Bolt 6 x 16 galv. 8.8 82105 82105 8.8	23S6/16 8.8OC	4	23S6/16 8.8OC	4

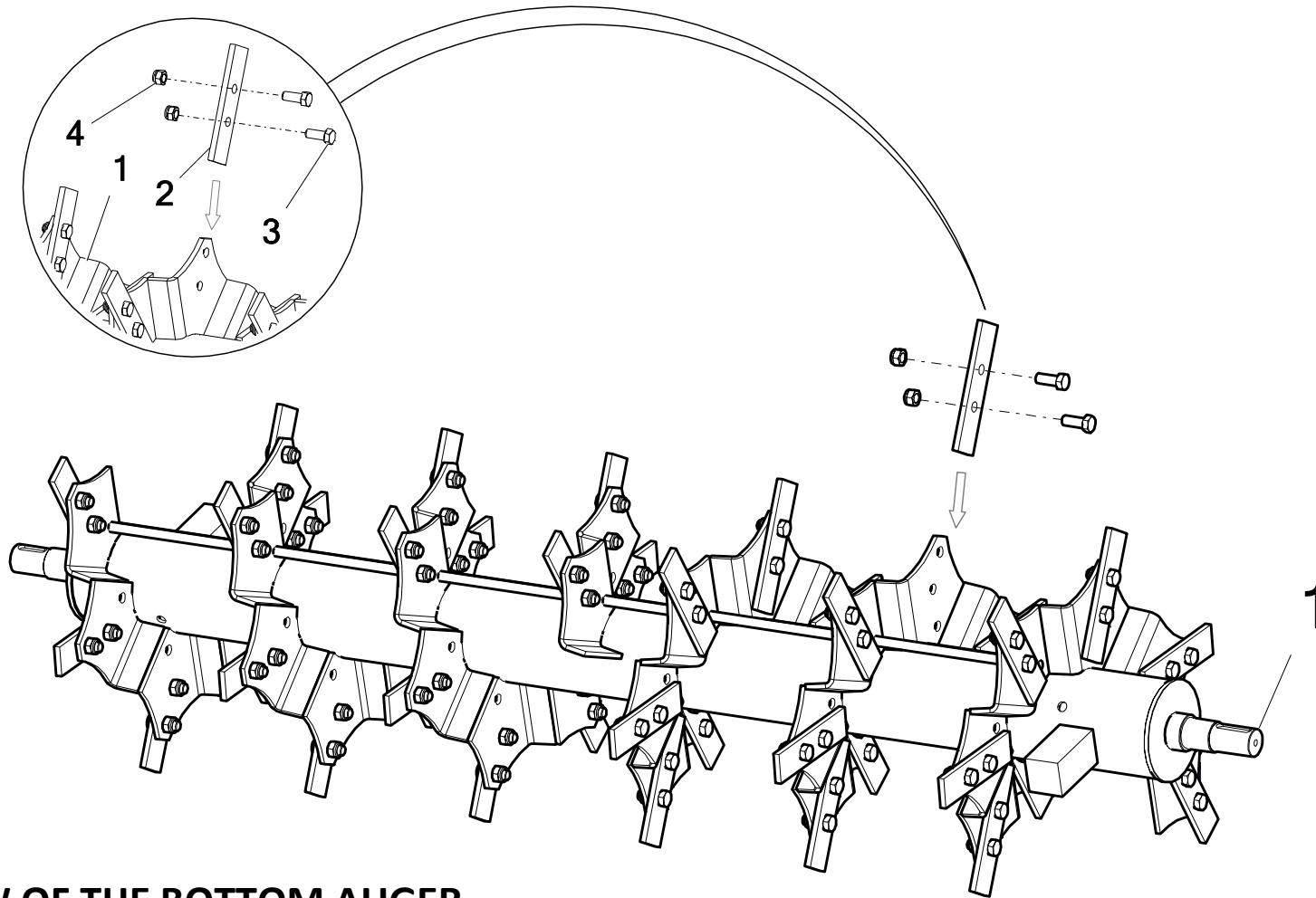
### 13. 2-ROTOR 4-BLADE VERTICAL ADAPTER (from the beginning of 2020)



No.	Part or assembly name	Fig. or index No.			
		N272/3	Volume	N272/6	Volume
13	Bolt 14 x 30 galv. 8.8 82105	POD-ELZ-000524	2	POD-ELZ-000524	2
14	Screw 14 x 40 galv. 8.8 82105 82105	23S14/40 8.8	4	23S14/40 8.8	4
15	Screw 14 x 50 galv. 8.8 82105 82105	23S14/50 8.8 82105 OC.	12	23S14/50 8.8 82105 OC.	12
16	Spring washer, 6.1 galv. 82008 82008	23P6SPOC	4	23P6SPOC	4
17	Round washer 6 galv. 82005 82005	23P6OOC	4	23P6OOC	4
18	Spring washer 14.2 galv. 82008 82008	23P14SP	2	23P14SP	2
19	Round washer 14 galv. 82005 82005	23P14OC	32	23P14OC	32
20	Self-locking nut M14 galv. 82175 8 82175 8	23NS14OC	16	23NS14OC	16
21	Lubricating nipple M6 x 1.0 straight	23SM	2	23SM	2



**14. AUGER OF THE 2-ROTOR HORIZONTAL DISC ADAPTER**



**VIEW OF THE BOTTOM AUGER**

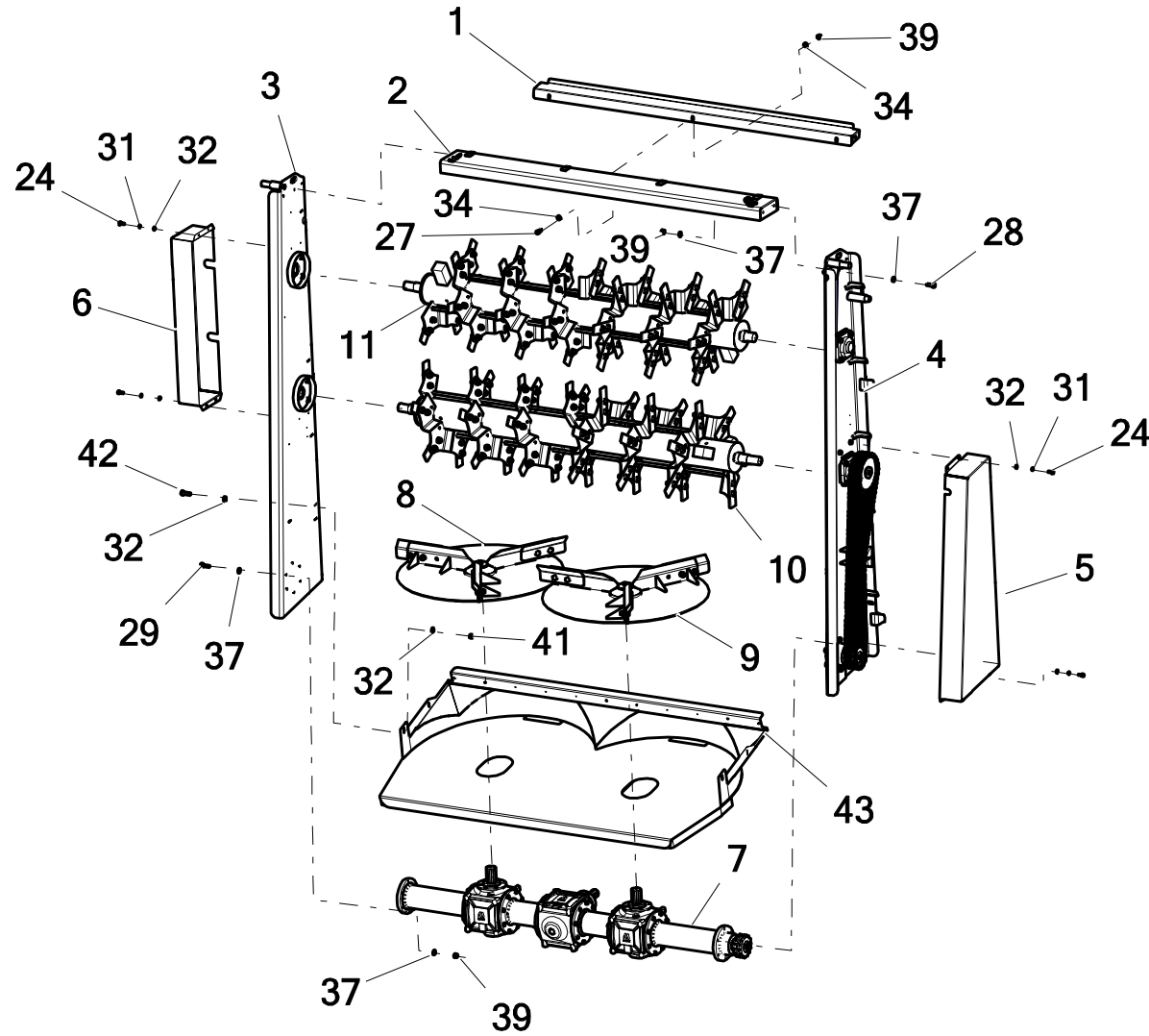
No.	Part or assembly name	Fig. or index No.			
		N272/3	Volume	N272/6	Volume
1	Bottom auger N272 11.05.00	N272 11.05.00	1	N272 11.05.00	1
1*	Top auger N272 11.06.00	N272 11.06.00	1	N272 11.06.00	1
2	Horizontal auger blade	N272 11.05.10	38	N272 11.05.10	38
3	Bolt 16 x 40 galv. 8.8 82105 82105	23S16/40 8.8OC	76	23S16/40 8.8OC	76
4	Self-locking nut M16 galv. 82175 8 82175 8	23NS16OC	76	23NS16OC	76

**Key:**

1\* - Top auger (uses different pins than the ones installed in the bottom auger)

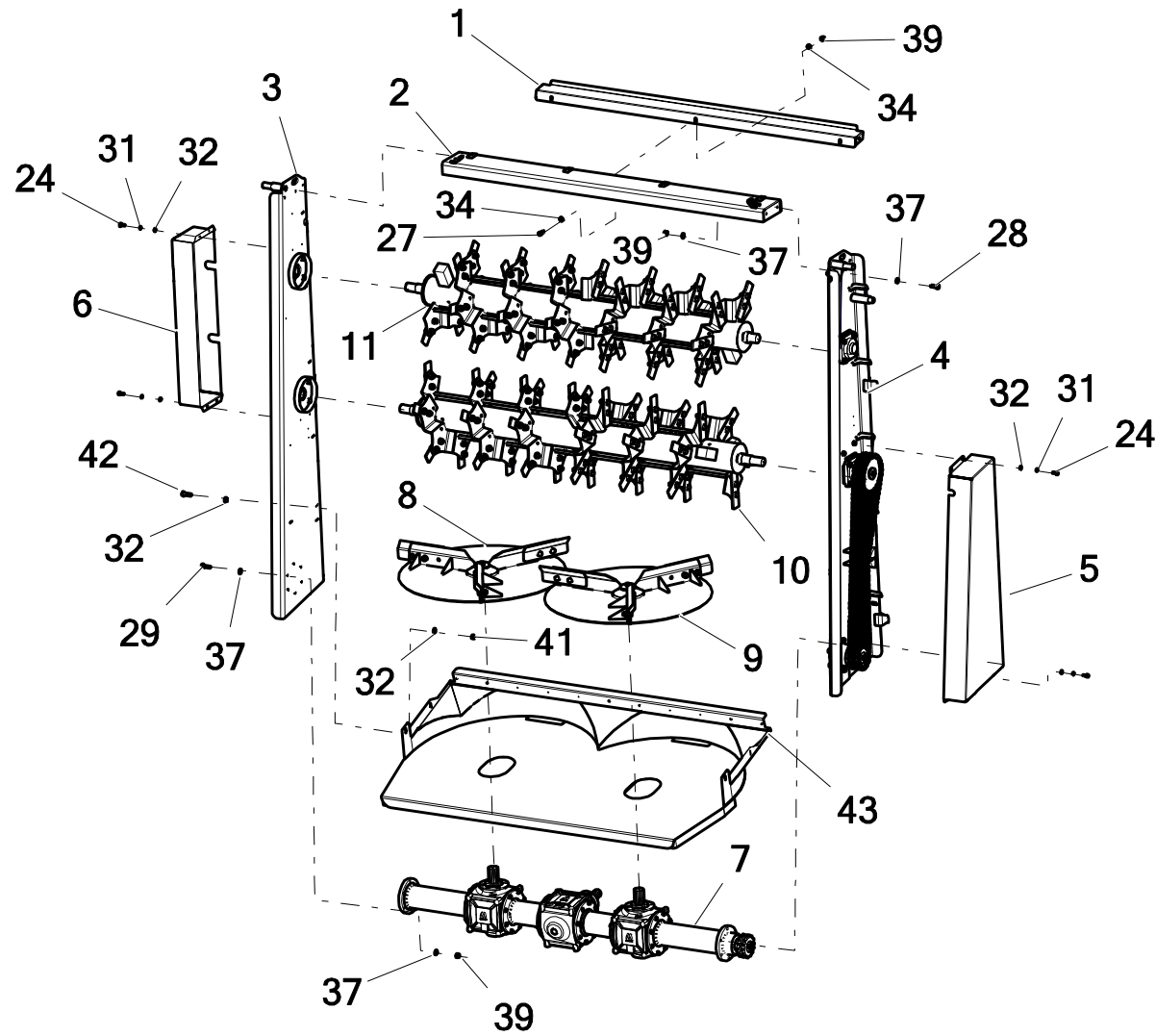
The auger is sold as complete with blades, since it is factory balanced.

## 15. HORIZONTAL 2-ROTOR DISC ADAPTER



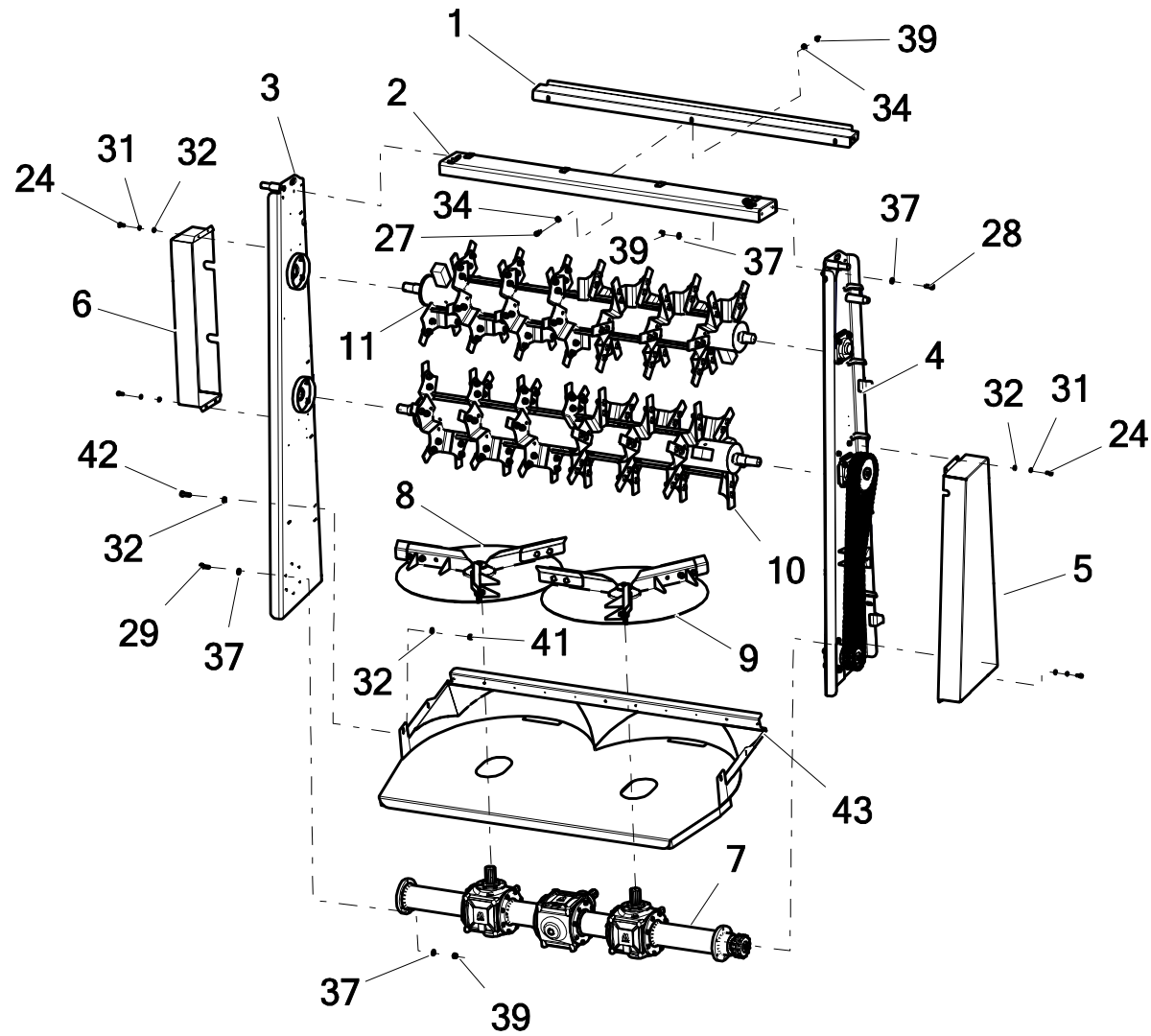
No.	Part or assembly name	Fig. or index No.			
		N272/3	Volume	N272/6	Volume
1	Adapter top guard	N272 03.00.11	1	N272 03.00.11	1
2	Top bar	N272 11.04.00	1	N272 11.04.00	1
3	Left frame	N272-3 11.02.00	1	N272-3 11.02.00	1
4	Right frame	N272-3 11.03.00	1	N272-3 11.03.00	1
5	Lower guard	N272-3 11.07.00	1	N272-3 11.07.00	1
6	Top guard	N272-3 11.08.00	1	N272-3 11.08.00	1
7	Gear MB10.18, complete (4 chain wheels)	POD-WPS-000190	1	POD-WPS-000190	1
8	Left bottom disc	N272 11.01.00.1L	1	N272 11.01.00.1L	1
9	Right bottom disc	N272 11.01.00.1P	1	N272 11.01.00.1P	1
10	Bottom auger	N272 11.05.00	1	N272 11.05.00	1
11	Top auger	N272 11.06.00	1	N272 11.06.00	1
12	Bearing assembly LEFG 210 TDT	POD-LOZ-000357	4	POD-LOZ-000357	4
13*	Double chain wheel Z24 16B2	MBS 1.18-02	1	MBS 1.18-02	1
14*	Upper shaft drive wheel Z15 20B1	MBS 1.18-01	2	MBS 1.18-01	2
15	Gear chain tensioner	N272 11.09.09	1	N272 11.09.09	1
16	Gear chain tensioner	N272 11.09.06	1	N272 11.09.06	1
17	Plug	N272 11.09.07	1	N272 11.09.07	1
18	Chain 16B2, 99 links + connector	POD-LAN-000144	1	POD-LAN-000144	1

## 15. HORIZONTAL 2-ROTOR DISC ADAPTER



No.	Part or assembly name	Fig. or index No.			
		N272/3	Volume	N272/6	Volume
19	Chain 20B1, 59 links + connector (1.91 m)	POD-LAN-000114	1	POD-LAN-000114	1
20	Tensioner flat bar	N272 11.09.05	2	N272 11.09.05	2
21	Key 14 x 9 x 63	POD-ELZ-000837	1	POD-ELZ-000837	1
22	Key 14 x 9 x 50	POD-ELZ-000691	2	POD-ELZ-000691	2
23	Screw-on disc blade	N272 11.09.08	6	N272 11.09.08	6
24	Bolt 10 x 25 galv. 8.8 82105 82105	23S10/25OC 8.8	8	23S10/25OC 8.8	8
25	Bolt 10 x 80 galv. 8.8 82101	POD-ELZ-000452	2	POD-ELZ-000452	2
26	Allen bolt 10 x 110 galv. 8.8 82302	POD-ELZ-000836	2	POD-ELZ-000836	2
27	Bolt 12 x 35 galv. 8.8 82105 82105	23S12/35OC 8.8	6	23S12/35OC 8.8	6
28	Screw 14 x 40 galv. 8.8 82105 82105	23S14/40 8.8	6	23S14/40 8.8	6
29	Screw 14 x 50 galv. 8.8 82105 82105	23S14/50 8.8 82105 OC.	28	23S14/50 8.8 82105 OC.	28
30	Bolt 16 x 40 galv. 8.8 82105 82105	23S16/40 8.8OC	12	23S16/40 8.8OC	12
31	Spring washer 10.2 galv. 82008 82008	23P10SP	2	23P10SP	2
32	Round washer 30 galv. 82005 82005	23P10 82005	10	23P10 82005	10
33	Spring washer 12 galv. 82008 82008	23P12SP	3	23P12SP	3
34	Round washer 12 galv. 82005	23P12OC	9	23P12OC	9
35	Locking washer	N272 11.09.02	3	N272 11.09.02	3
36	Spring washer 14.2 galv. 82008 82008	23P14SP	2	23P14SP	2

## 15. HORIZONTAL 2-ROTOR DISC ADAPTER



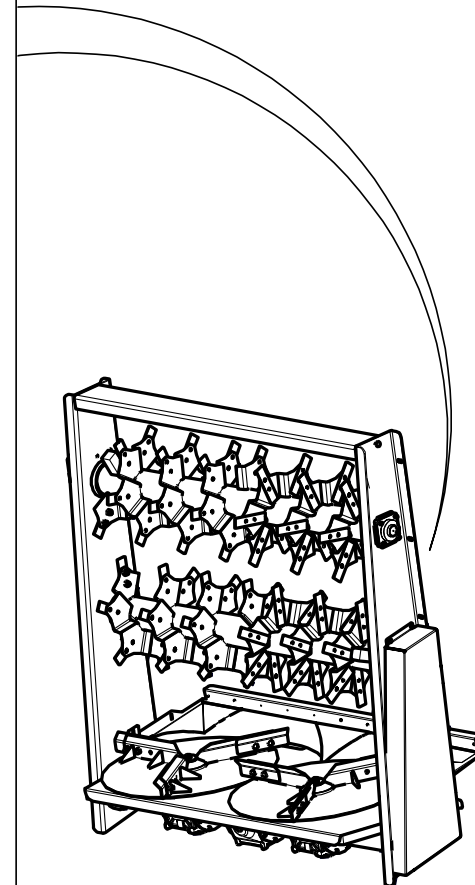
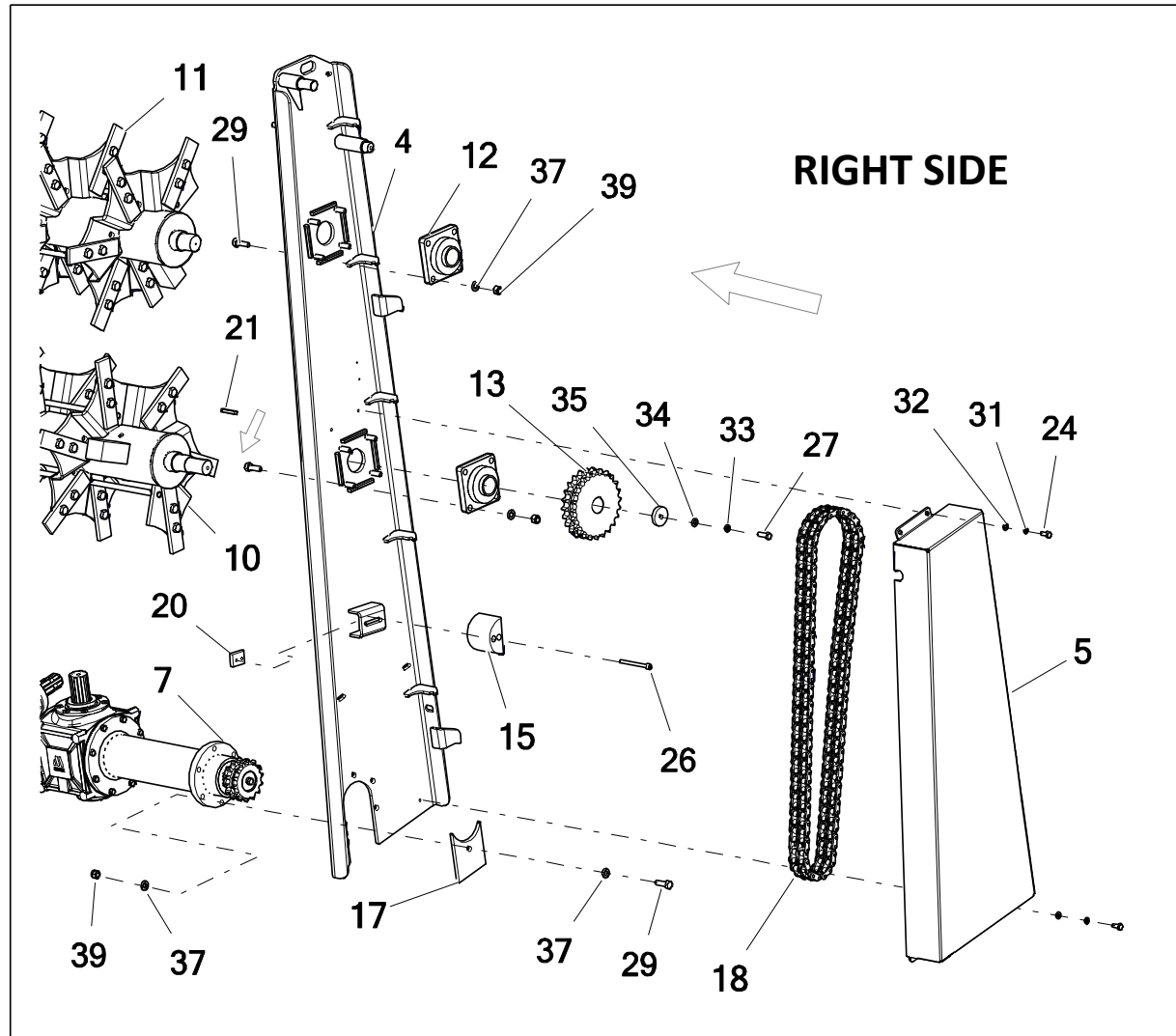
No.	Part or assembly name	Fig. or index No.			
		N272/3	Volume	N272/6	Volume
37	Round washer 14 galv. 82005 82005	23P14OC	60	23P14OC	60
38	Thrust washer	N272 11.09.10	2	N272 11.09.10	2
39	Self-locking nut M14 galv. 82175 8 82175 8	23NS14OC	35	23NS14OC	35
40	Self-locking nut M16 galv. 82175 8 82175 8	23NS16OC	12	23NS16OC	12
41	Self-locking nut M10, galv. 82175 82175 8	23NS10OC	4	23NS10OC	4
42	Bolt 10 x 30 galv. 8.8 82105 82105	23S10/30OC 8.8	4	23S10/30OC 8.8	4
43	Lower guard	N272 13.02.00.1	1	N272 13.02.00.1	1
44*	Bolt M12 x 45-8.8	PN-EN ISO 2009:1999	1	PN-EN ISO 2009:1999	1
45*	Parallel key B 14 x 9 x 60	PN-70/M-85005	1	PN-70/M-85005	1
46*	Pressure pad	MB 10.18-30.05	1	MB 10.18-30.05	1
47*	Spring washer ø12.2	PN-77/M-82008	1	PN-77/M-82008	1
48*	Chain wheel, 14 teeth	MB 10.18-30.04	1	MB 10.18-30.04	1

**Key:**

**13\*, 14\*, 44\*, 45\*, 46\*, 47\*, 48\*** - included in: gearbox MB10.18, complete (4 chain wheels) - **POD-WPS-000190**

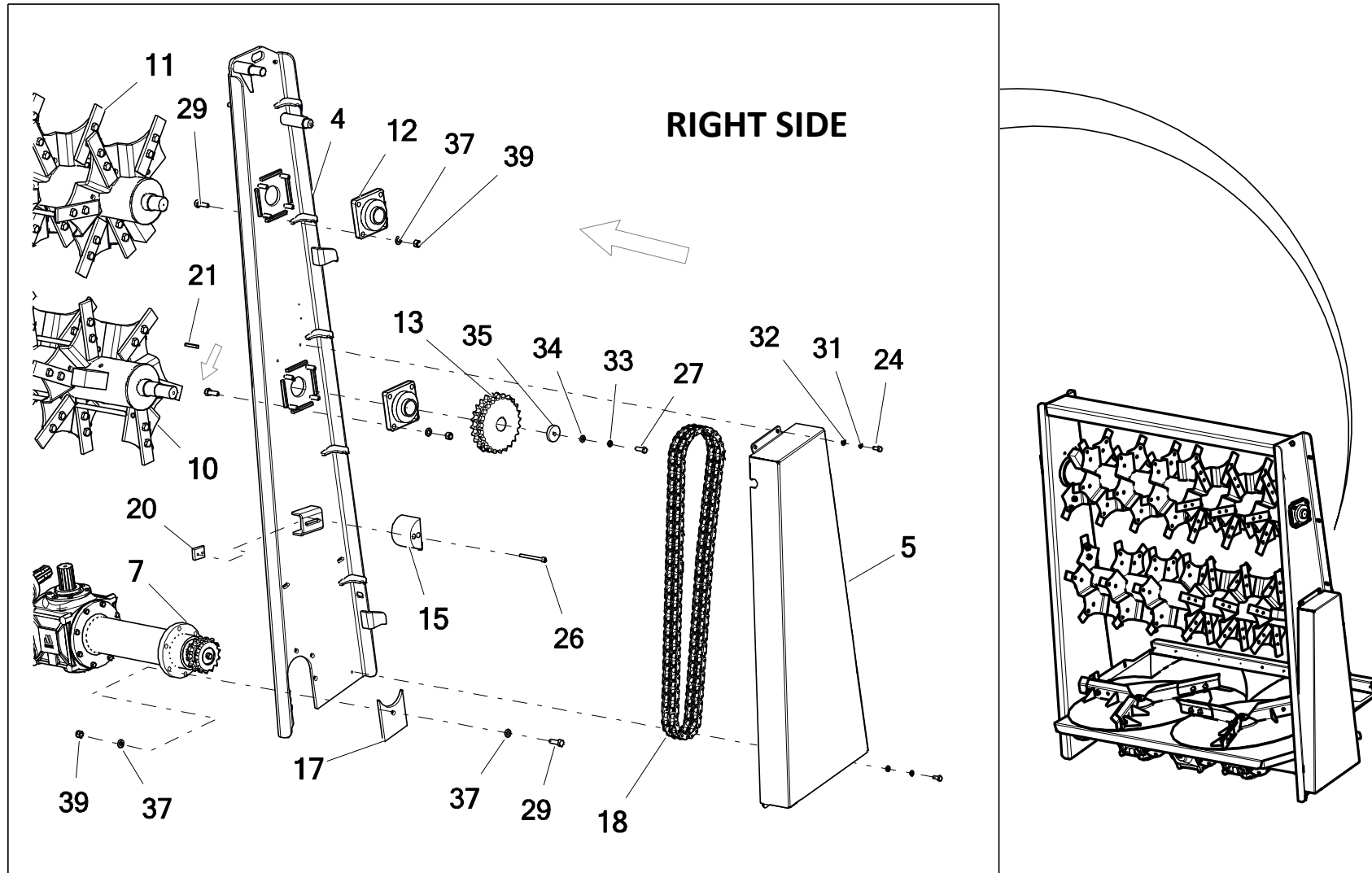


**15. HORIZONTAL 2-ROTOR DISC ADAPTER**



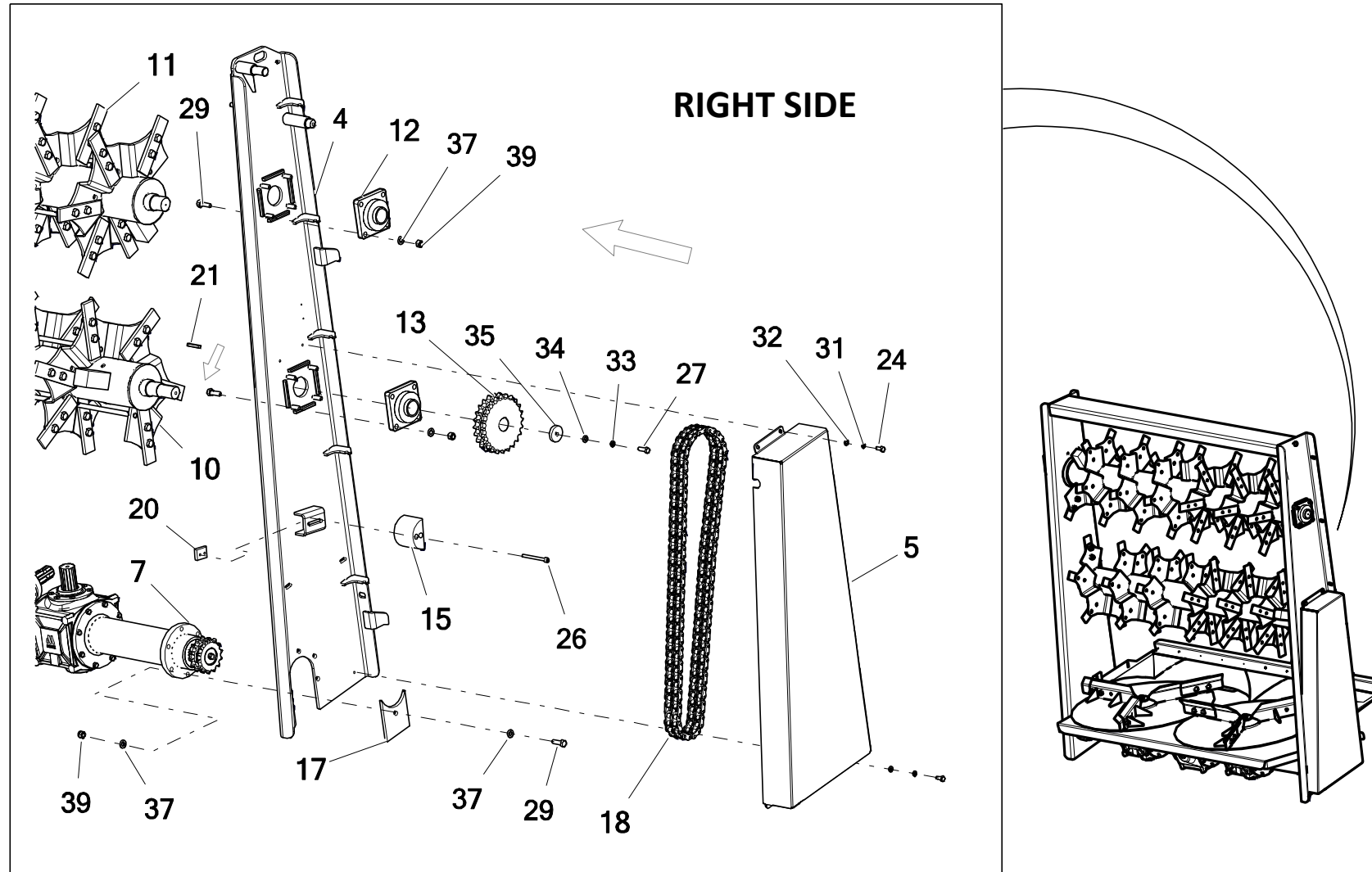
No.	Part or assembly name	Fig. or index No.			
		N272/3	Volume	N272/6	Volume
1	Adapter top guard	N272 03.00.11	1	N272 03.00.11	1
2	Top bar	N272 11.04.00	1	N272 11.04.00	1
3	Left frame	N272-3 11.02.00	1	N272-3 11.02.00	1
4	Right frame	N272-3 11.03.00	1	N272-3 11.03.00	1
5	Lower guard	N272-3 11.07.00	1	N272-3 11.07.00	1
6	Top guard	N272-3 11.08.00	1	N272-3 11.08.00	1
7	Gear MB10.18, complete (4 chain wheels)	POD-WPS-000190	1	POD-WPS-000190	1
8	Left bottom disc	N272 11.01.00.1L	1	N272 11.01.00.1L	1
9	Right bottom disc	N272 11.01.00.1P	1	N272 11.01.00.1P	1
10	Bottom auger	N272 11.05.00	1	N272 11.05.00	1
11	Top auger	N272 11.06.00	1	N272 11.06.00	1
12	Bearing assembly LEFG 210 TDT	POD-LOZ-000357	4	POD-LOZ-000357	4
13*	Double chain wheel Z24 16B2	MBS 1.18-02 N272 11.09.01	1	MBS 1.18-02 N272 11.09.01	1
14*	Upper shaft drive wheel Z15 20B1	MBS 1.18-01	2	MBS 1.18-01	2
15	Gear chain tensioner	N272 11.09.09	1	N272 11.09.09	1
16	Gear chain tensioner	N272 11.09.06	1	N272 11.09.06	1
17	Plug	N272 11.09.07	1	N272 11.09.07	1
18	Chain 16B2, 99 links + connector	POD-LAN-000144	1	POD-LAN-000144	1

**15. HORIZONTAL 2-ROTOR DISC ADAPTER**



No.	Part or assembly name	Fig. or index No.			
		N272/3	Volume	N272/6	Volume
19	Chain 20B1, 59 links + connector	POD-LAN-000114	1	POD-LAN-000114	1
20	Tensioner flat bar	N272 11.09.05	2	N272 11.09.05	2
21	Key 14 x 9 x 63	POD-ELZ-000837	1	POD-ELZ-000837	1
22	Key 14 x 9 x 50	POD-ELZ-000691	2	POD-ELZ-000691	2
23	Screw-on disc blade	N272 11.09.08	6	N272 11.09.08	6
24	Bolt 10 x 25 galv. 8.8 82105 82105	23S10/25OC 8.8	8	23S10/25OC 8.8	8
25	Bolt 10 x 80 galv. 8.8 82101	POD-ELZ-000452	2	POD-ELZ-000452	2
26	Allen bolt 10 x 110 galv. 8.8 82302	POD-ELZ-000836	2	POD-ELZ-000836	2
27	Bolt 12 x 35 black 8.8 82105	POD-ELZ-000954	6	POD-ELZ-000954	6
28	Screw 14 x 40 galv. 8.8 82105 82105	23S14/40 8.8	6	23S14/40 8.8	6
29	Screw 14 x 50 galv. 8.8 82105 82105	23S14/50 8.8 82105 OC.	28	23S14/50 8.8 82105 OC.	28
30	Bolt 16 x 40 galv. 8.8 82105 82105	23S16/40 8.8OC	12	23S16/40 8.8OC	12
31	Spring washer 10.2 galv. 82008 82008	23P10SP	2	23P10SP	2
32	Round washer 30 galv. 82005 82005	23P10 82005	10	23P10 82005	10
33	Spring washer 12 galv. 82008 82008	23P12SP	3	23P12SP	3
34	Round washer 12 galv. 82005	23P12OC	9	23P12OC	9
35	Locking washer	N272 11.09.02	3	N272 11.09.02	3
36	Spring washer 14.2 galv. 82008 82008	23P14SP	2	23P14SP	2

### 15. HORIZONTAL 2-ROTOR DISC ADAPTER

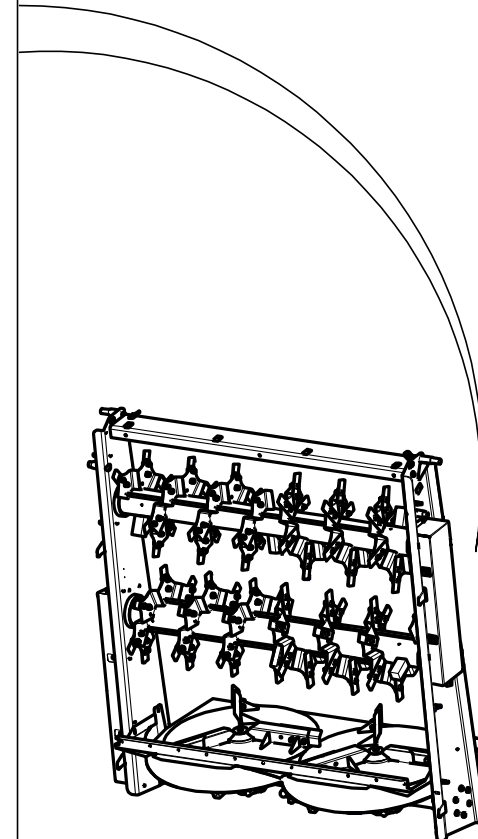
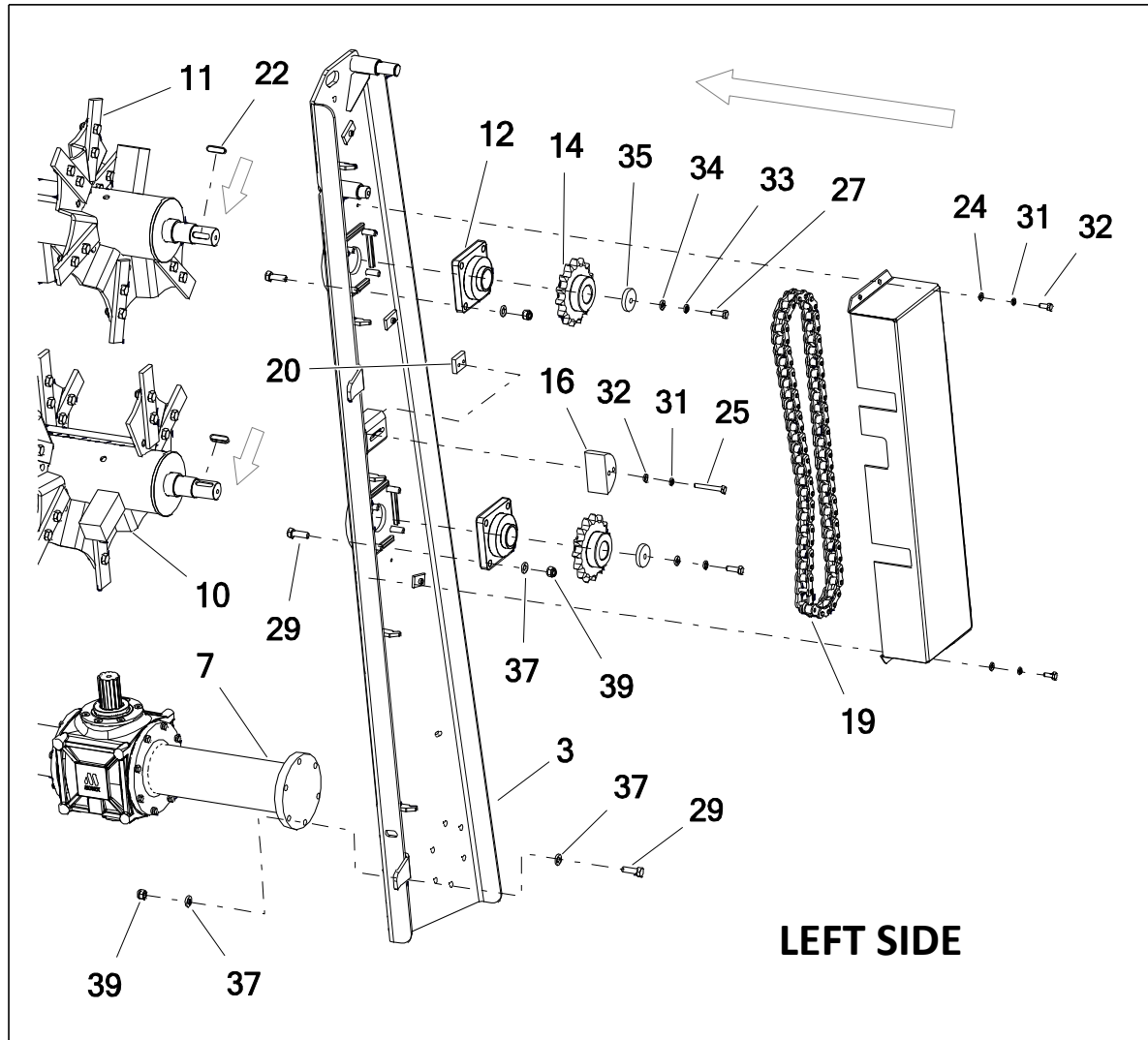


No.	Part or assembly name	Fig. or index No.			
		N272/3	Volume	N272/6	Volume
37	Round washer 14 galv. 82005 82005	23P14OC	60	23P14OC	60
38	Thrust washer	N272 11.09.10	2	N272 11.09.10	2
39	Self-locking nut M14 galv. 82175 8 82175 8	23NS14OC	35	23NS14OC	35
40	Self-locking nut M16 galv. 82175 8 82175 8	23NS16OC	12	23NS16OC	12
41	Self-locking nut M10, galv. 82175 82175 8	23NS10OC	4	23NS10OC	4
42	Bolt 10 x 30 galv. 8.8 82105 82105	23S10/30OC 8.8	4	23S10/30OC 8.8	4
43	Lower guard	N272 13.02.00.1	1	N272 13.02.00.1	1
44*	Bolt M12 x 45-8.8	PN-EN ISO 2009:1999	1	PN-EN ISO 2009:1999	1
45*	Parallel key B 14 x 9 x 60	PN-70/M-85005	1	PN-70/M-85005	1
46*	Pressure pad	MB 10.18-30.05	1	MB 10.18-30.05	1
47*	Spring washer ø12.2	PN-77/M-82008	1	PN-77/M-82008	1
48*	Chain wheel, 14 teeth	MB 10.18-30.04	1	MB 10.18-30.04	1

**Key:**

**13\*, 14\*, 44\*, 45\*, 46\*, 47\*, 48\*** - included in: gearbox MB10.18, complete (4 chain wheels) - **POD-WPS-000190**

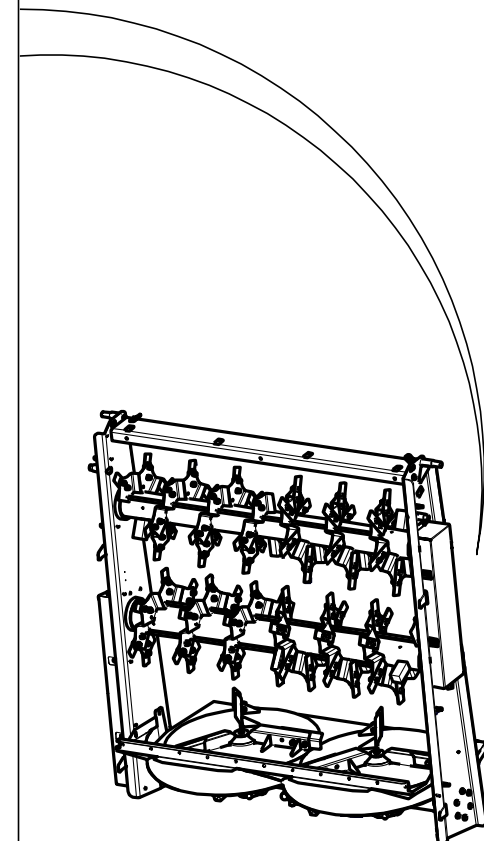
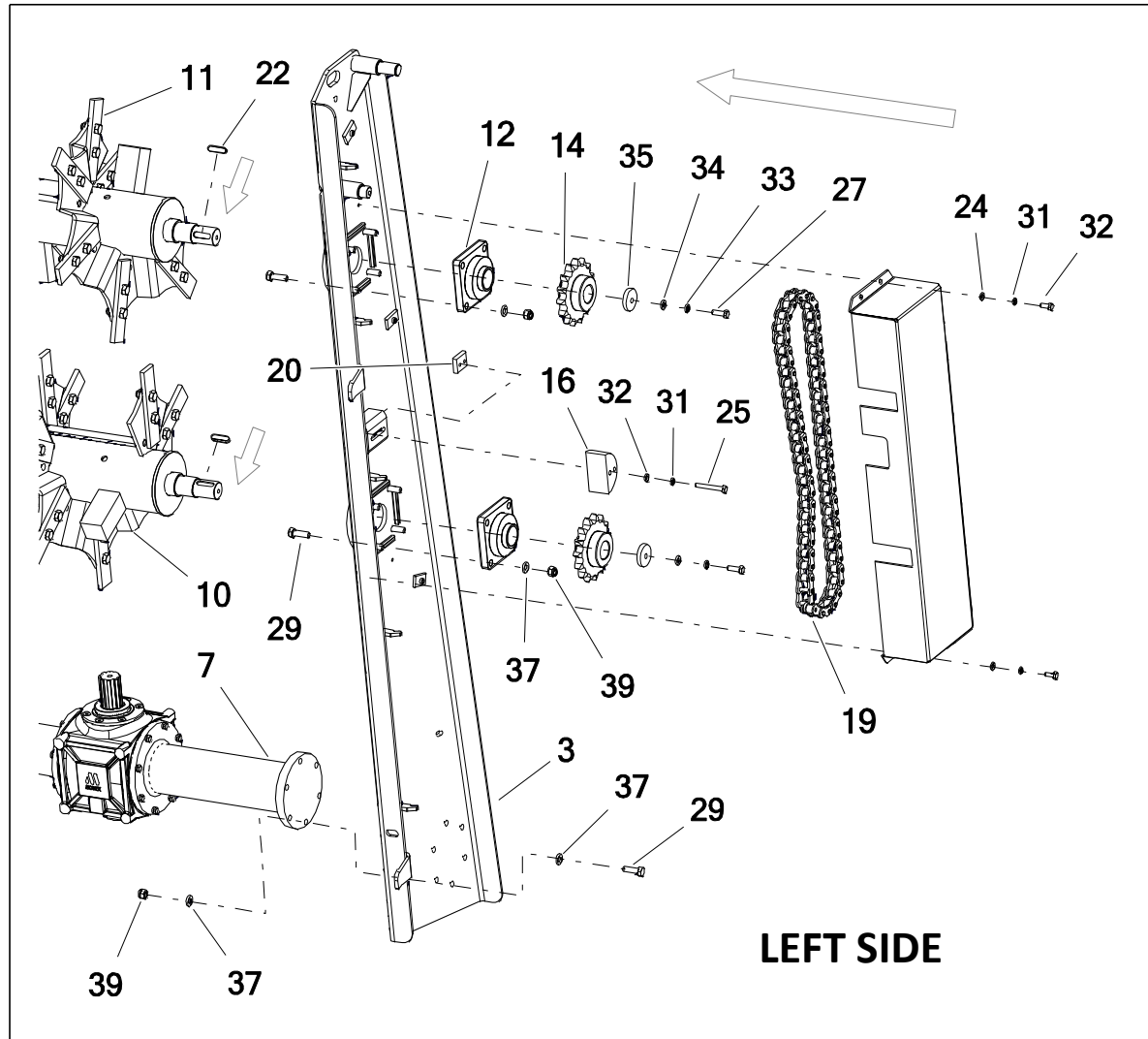
**15. HORIZONTAL 2-ROTOR DISC ADAPTER**



No.	Part or assembly name	Fig. or index No.			
		N272/3	Volume	N272/6	Volume
1	Adapter top guard	N272 03.00.11	1	N272 03.00.11	1
2	Top bar	N272 11.04.00	1	N272 11.04.00	1
3	Left frame	N272-3 11.02.00	1	N272-3 11.02.00	1
4	Right frame	N272-3 11.03.00	1	N272-3 11.03.00	1
5	Lower guard	N272-3 11.07.00	1	N272-3 11.07.00	1
6	Top guard	N272-3 11.08.00	1	N272-3 11.08.00	1
7	Gear MB10.18, complete (4 chain wheels)	POD-WPS-000190	1	POD-WPS-000190	1
8	Left bottom disc	N272 11.01.00.1L	1	N272 11.01.00.1L	1
9	Right bottom disc	N272 11.01.00.1P	1	N272 11.01.00.1P	1
10	Bottom auger	N272 11.05.00	1	N272 11.05.00	1
11	Top auger	N272 11.06.00	1	N272 11.06.00	1
12	Bearing assembly LEFG 210 TDT	POD-LOZ-000357	4	POD-LOZ-000357	4
13*	Double chain wheel Z24 16B2	MBS 1.18-02	1	MBS 1.18-02	1
14*	Upper shaft drive wheel Z15 20B1	MBS 1.18-01	2	MBS 1.18-01	2
15	Gear chain tensioner	N272 11.09.09	1	N272 11.09.09	1
16	Gear chain tensioner	N272 11.09.06	1	N272 11.09.06	1
17	Plug	N272 11.09.07	1	N272 11.09.07	1
18	Chain 16B2, 99 links + connector	POD-LAN-000144	1	POD-LAN-000144	1

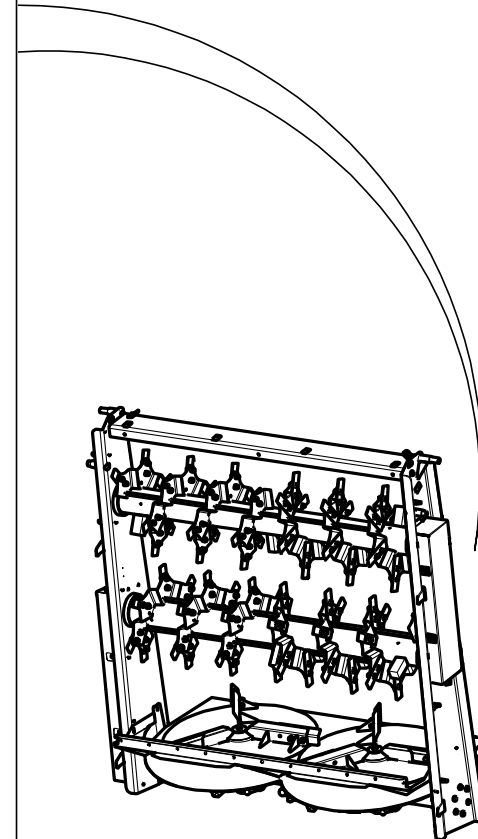
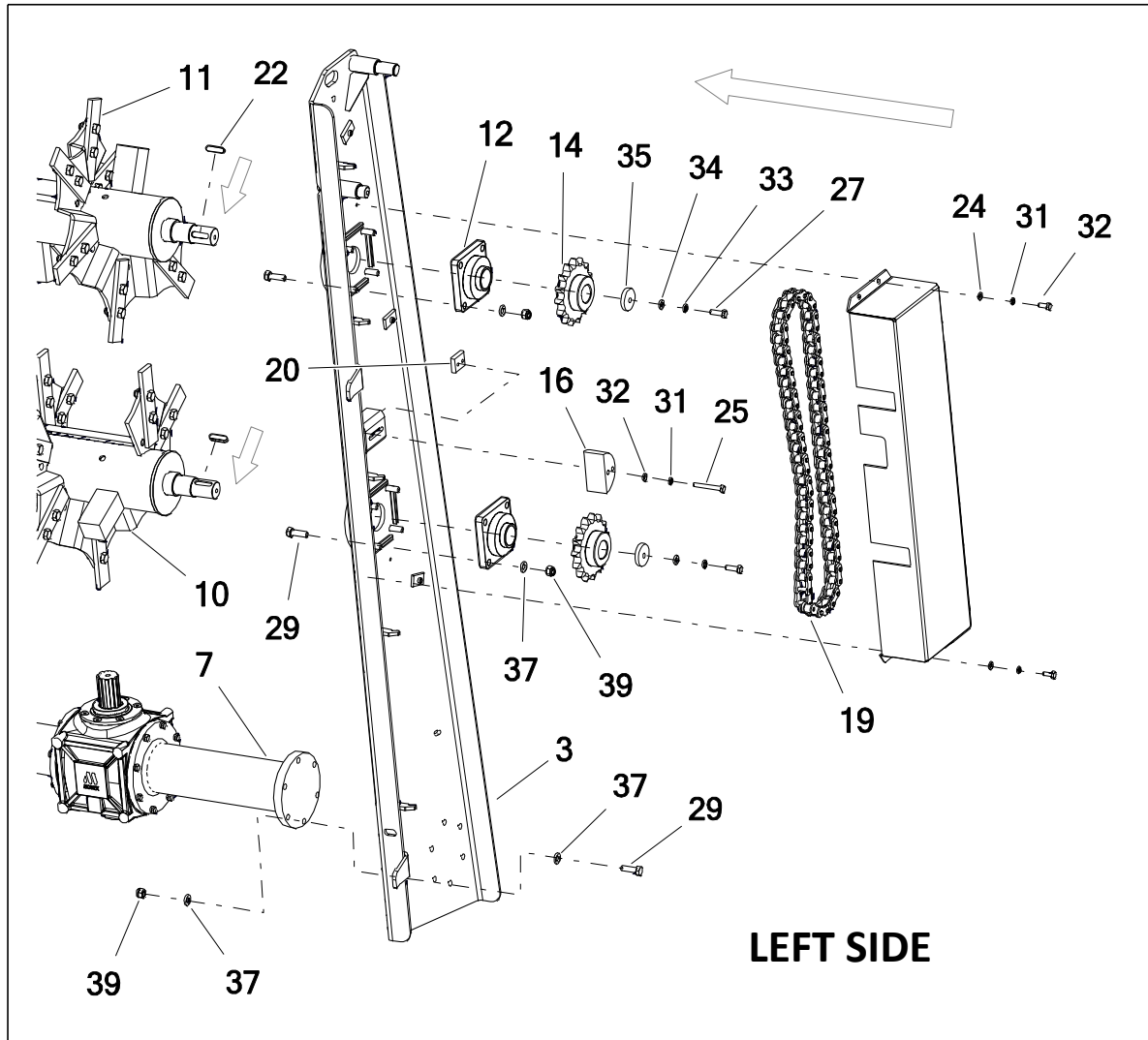


### 15. HORIZONTAL 2-ROTOR DISC ADAPTER



No.	Part or assembly name	Fig. or index No.			
		N272/3	Volume	N272/6	Volume
19	Chain 20B1, 59 links + connector	POD-LAN-000114	1	POD-LAN-000114	1
20	Tensioner flat bar	N272 11.09.05	2	N272 11.09.05	2
21	Key 14 x 9 x 63	POD-ELZ-000837	1	POD-ELZ-000837	1
22	Key 14 x 9 x 50	POD-ELZ-000691	2	POD-ELZ-000691	2
23	Screw-on disc blade	N272 11.09.08	6	N272 11.09.08	6
24	Bolt 10 x 25 galv. 8.8 82105 82105	23S10/25OC 8.8	8	23S10/25OC 8.8	8
25	Bolt 10 x 80 galv. 8.8 82101	POD-ELZ-000452	2	POD-ELZ-000452	2
26	Allen bolt 10 x 110 galv. 8.8 82302	POD-ELZ-000836	2	POD-ELZ-000836	2
27	Bolt 12 x 35 black 8.8 82105	POD-ELZ-000954	6	POD-ELZ-000954	6
28	Screw 14 x 40 galv. 8.8 82105 82105	23S14/40 8.8	6	23S14/40 8.8	6
29	Screw 14 x 50 galv. 8.8 82105 82105	23S14/50 8.8 82105 OC.	28	23S14/50 8.8 82105 OC.	28
30	Bolt 16 x 40 galv. 8.8 82105 82105	23S16/40 8.8OC	12	23S16/40 8.8OC	12
31	Spring washer 10.2 galv. 82008 82008	23P10SP	2	23P10SP	2
32	Round washer 30 galv. 82005 82005	23P10 82005	10	23P10 82005	10
33	Spring washer 12 galv. 82008 82008	23P12SP	3	23P12SP	3
34	Round washer 12 galv. 82005	23P12OC	9	23P12OC	9
35	Locking washer	N272 11.09.02	3	N272 11.09.02	3
36	Spring washer 14.2 galv. 82008 82008	23P14SP	2	23P14SP	2

**15. HORIZONTAL 2-ROTOR DISC ADAPTER**

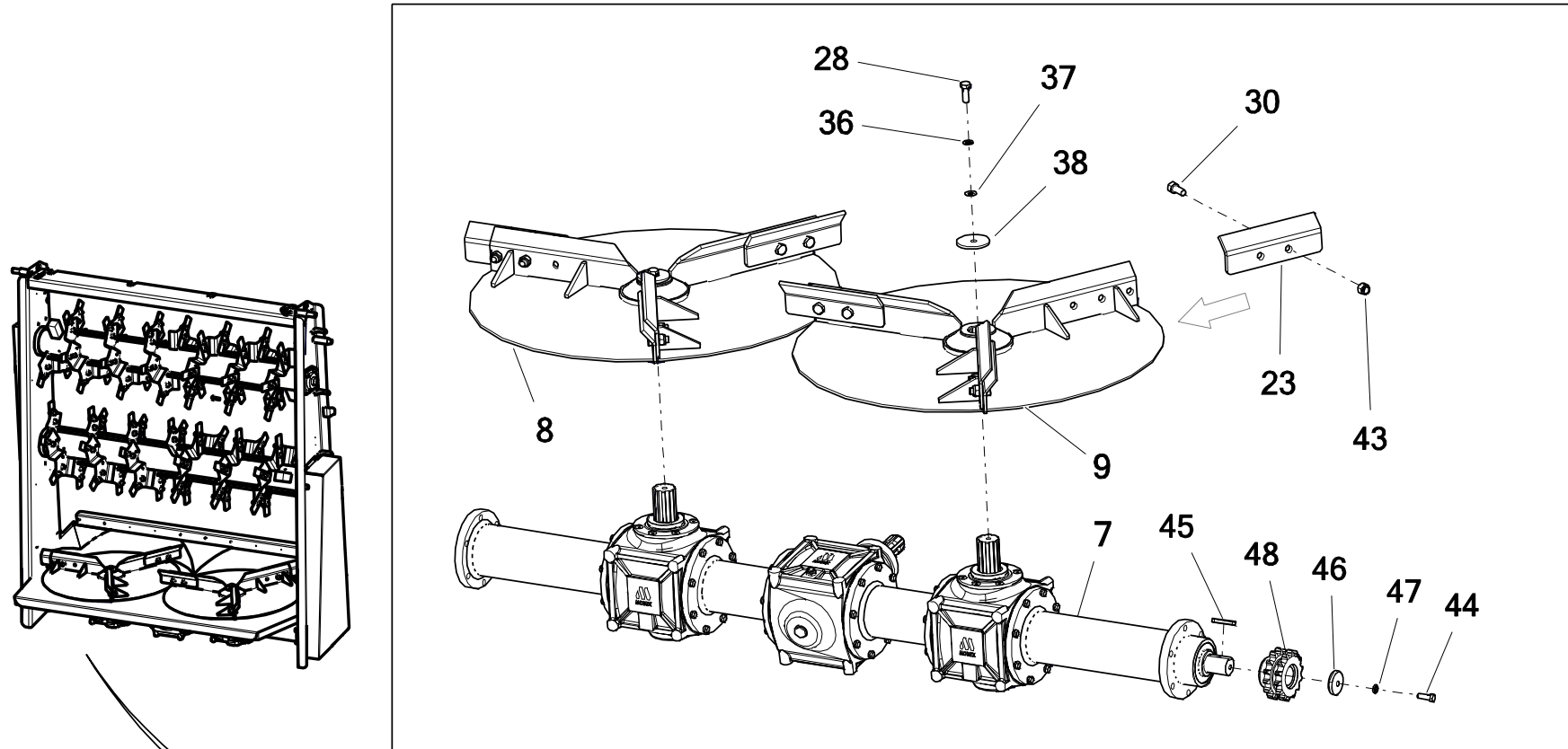


No.	Part or assembly name	Fig. or index No.			
		N272/3	Volume	N272/6	Volume
37	Round washer 14 galv. 82005 82005	23P14OC	60	23P14OC	60
38	Thrust washer	N272 11.09.10	2	N272 11.09.10	2
39	Self-locking nut M14 galv. 82175 8 82175 8	23NS14OC	35	23NS14OC	35
40	Self-locking nut M16 galv. 82175 8 82175 8	23NS16OC	12	23NS16OC	12
41	Self-locking nut M10, galv. 82175 82175 8	23NS10OC	4	23NS10OC	4
42	Bolt 10 x 30 galv. 8.8 82105 82105	23S10/30OC 8.8	4	23S10/30OC 8.8	4
43	Lower guard	N272 13.02.00.1	1	N272 13.02.00.1	1
44*	Bolt M12 x 45-8.8	PN-EN ISO 2009:1999	1	PN-EN ISO 2009:1999	1
45*	Parallel key B 14 x 9 x 60	PN-70/M-85005	1	PN-70/M-85005	1
46*	Pressure pad	MB 10.18-30.05	1	MB 10.18-30.05	1
47*	Spring washer ø12.2	PN-77/M-82008	1	PN-77/M-82008	1
48*	Chain wheel, 14 teeth	MB 10.18-30.04	1	MB 10.18-30.04	1

**Key:**

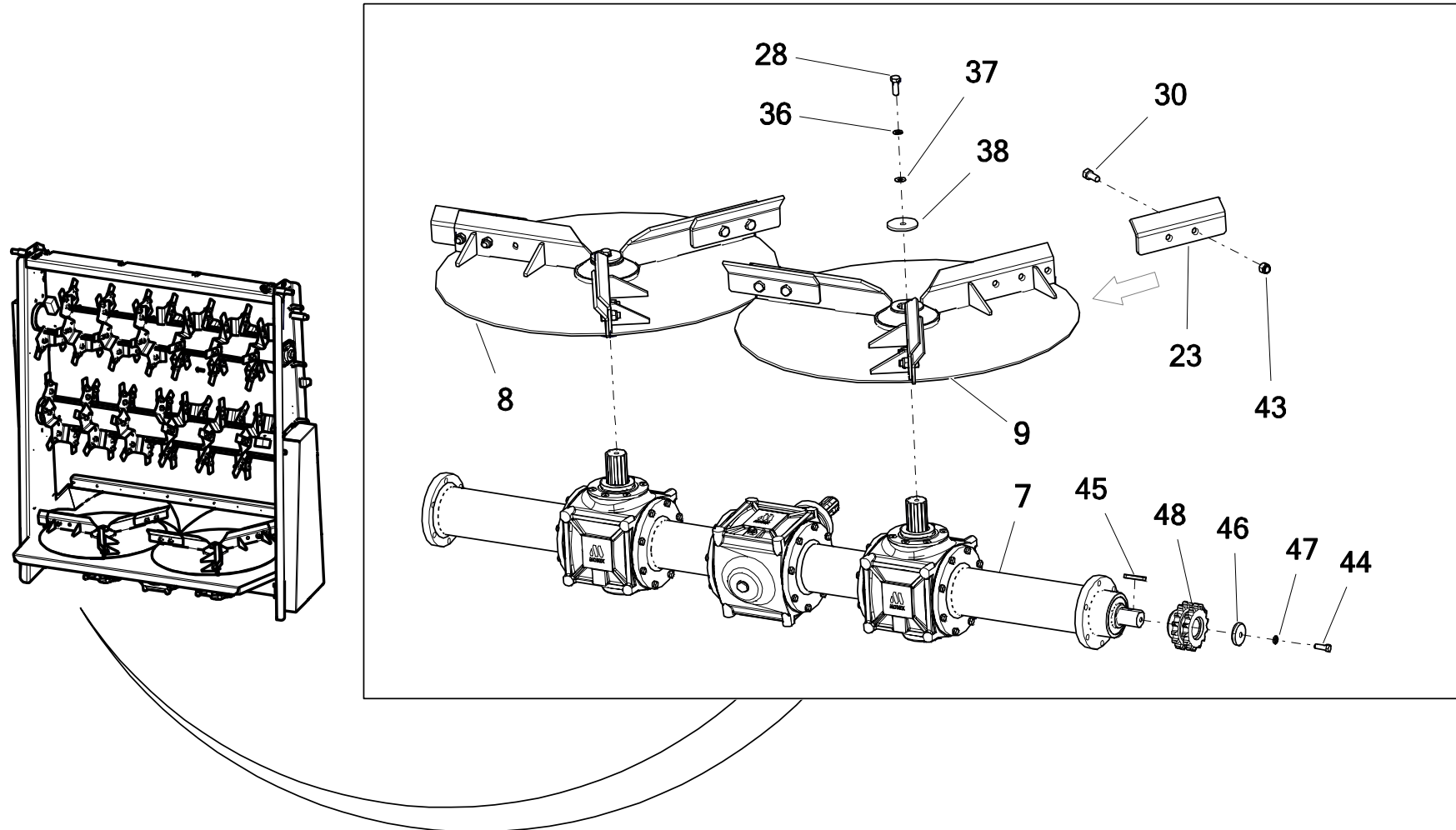
**13\*, 14\*, 44\*, 45\*, 46\*, 47\*, 48\*** - included in: gearbox MB10.18, complete (4 chain wheels) - **POD-WPS-000190**

**15. HORIZONTAL 2-ROTOR DISC ADAPTER**



No.	Part or assembly name	Fig. or index No.			
		N272/3	Volume	N272/6	Volume
1	Adapter top guard	N272 03.00.11	1	N272 03.00.11	1
2	Top bar	N272 11.04.00	1	N272 11.04.00	1
3	Left frame	N272-3 11.02.00	1	N272-3 11.02.00	1
4	Right frame	N272-3 11.03.00	1	N272-3 11.03.00	1
5	Lower guard	N272-3 11.07.00	1	N272-3 11.07.00	1
6	Top guard	N272-3 11.08.00	1	N272-3 11.08.00	1
7	Gear MB10.18, complete (4 chain wheels)	POD-WPS-000190	1	POD-WPS-000190	1
8	Left bottom disc	N272 11.01.00.1L	1	N272 11.01.00.1L	1
9	Right bottom disc	N272 11.01.00.1P	1	N272 11.01.00.1P	1
10	Bottom auger	N272 11.05.00	1	N272 11.05.00	1
11	Top auger	N272 11.06.00	1	N272 11.06.00	1
12	Bearing assembly LEFG 210 TDT	POD-LOZ-000357	4	POD-LOZ-000357	4
13*	Double chain wheel Z24 16B2	MBS 1.18-02	1	MBS 1.18-02	1
14*	Upper shaft drive wheel Z15 20B1	MBS 1.18-01	2	MBS 1.18-01	2
15	Gear chain tensioner	N272 11.09.09	1	N272 11.09.09	1
16	Gear chain tensioner	N272 11.09.06	1	N272 11.09.06	1
17	Plug	N272 11.09.07	1	N272 11.09.07	1
18	Chain 16B2, 99 links + connector	POD-LAN-000144	1	POD-LAN-000144	1

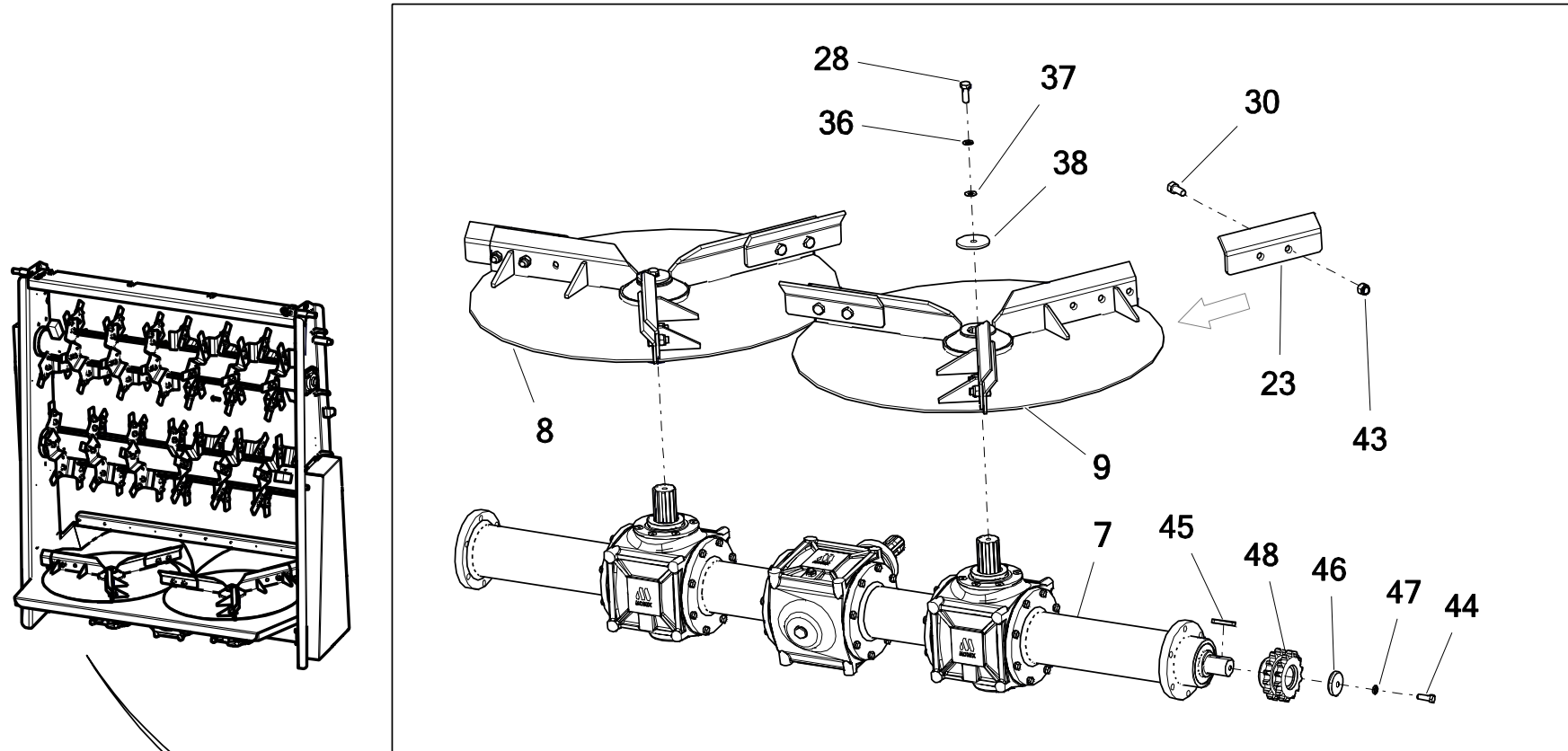
## 15. HORIZONTAL 2-ROTOR DISC ADAPTER



No.	Part or assembly name	Fig. or index No.			
		N272/3	Volume	N272/6	Volume
19	Chain 20B1, 59 links + connector	POD-LAN-000114	1	POD-LAN-000114	1
20	Tensioner flat bar	N272 11.09.05	2	N272 11.09.05	2
21	Key 14 x 9 x 63	POD-ELZ-000837	1	POD-ELZ-000837	1
22	Key 14 x 9 x 50	POD-ELZ-000691	2	POD-ELZ-000691	2
23	Screw-on disc blade	N272 11.09.08	6	N272 11.09.08	6
24	Bolt 10 x 25 galv. 8.8 82105 82105	23S10/25OC 8.8	8	23S10/25OC 8.8	8
25	Bolt 10 x 80 galv. 8.8 82101	POD-ELZ-000452	2	POD-ELZ-000452	2
26	Allen bolt 10 x 110 galv. 8.8 82302	POD-ELZ-000836	2	POD-ELZ-000836	2
27	Bolt 12 x 35 black 8.8 82105	POD-ELZ-000954	6	POD-ELZ-000954	6
28	Screw 14 x 40 galv. 8.8 82105 82105	23S14/40 8.8	6	23S14/40 8.8	6
29	Screw 14 x 50 galv. 8.8 82105 82105	23S14/50 8.8 82105 OC.	28	23S14/50 8.8 82105 OC.	28
30	Bolt 16 x 40 galv. 8.8 82105 82105	23S16/40 8.8OC	12	23S16/40 8.8OC	12
31	Spring washer 10.2 galv. 82008 82008	23P10SP	2	23P10SP	2
32	Round washer 30 galv. 82005 82005	23P10 82005	10	23P10 82005	10
33	Spring washer 12 galv. 82008 82008	23P12SP	3	23P12SP	3
34	Round washer 12 galv. 82005	23P12OC	9	23P12OC	9
35	Locking washer	N272 11.09.02	3	N272 11.09.02	3
36	Spring washer 14.2 galv. 82008 82008	23P14SP	2	23P14SP	2



### 15. HORIZONTAL 2-ROTOR DISC ADAPTER

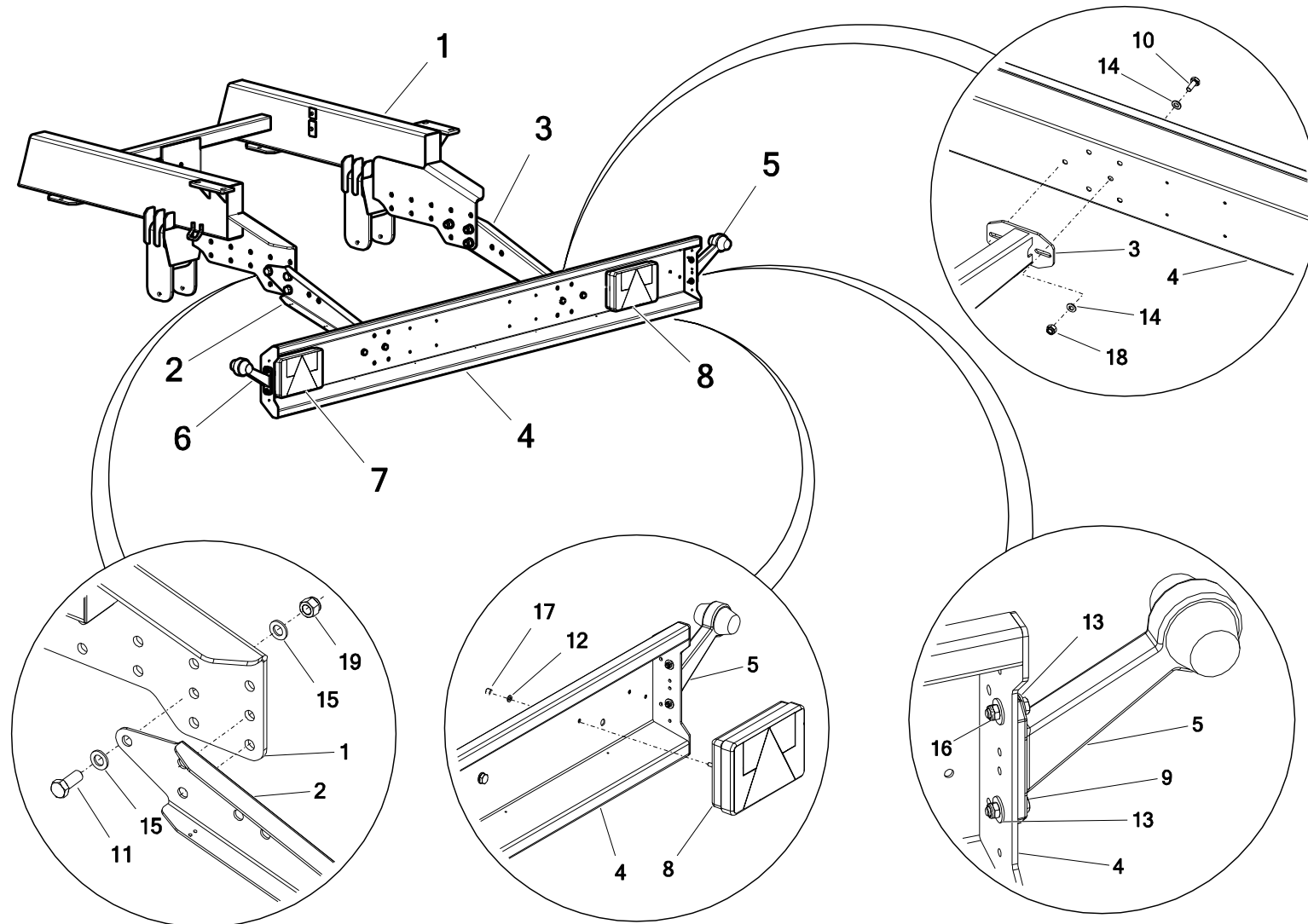


No.	Part or assembly name	Fig. or index No.			
		N272/3	Volume	N272/6	Volume
37	Round washer 14 galv. 82005 82005	23P14OC	60	23P14OC	60
38	Thrust washer	N272 11.09.10	2	N272 11.09.10	2
39	Self-locking nut M14 galv. 82175 8 82175 8	23NS14OC	35	23NS14OC	35
40	Self-locking nut M16 galv. 82175 8 82175 8	23NS16OC	12	23NS16OC	12
41	Self-locking nut M10, galv. 82175 82175 8	23NS10OC	4	23NS10OC	4
42	Bolt 10 x 30 galv. 8.8 82105 82105	23S10/30OC 8.8	4	23S10/30OC 8.8	4
43	Lower guard	N272 13.02.00.1	1	N272 13.02.00.1	1
44*	Bolt M12 x 45-8.8	PN-EN ISO 2009:1999	1	PN-EN ISO 2009:1999	1
45*	Parallel key B 14 x 9 x 60	PN-70/M-85005	1	PN-70/M-85005	1
46*	Pressure pad	MB 10.18-30.05	1	MB 10.18-30.05	1
47*	Spring washer ø12.2	PN-77/M-82008	1	PN-77/M-82008	1
48*	Chain wheel, 14 teeth	MB 10.18-30.04	1	MB 10.18-30.04	1

**Key:**

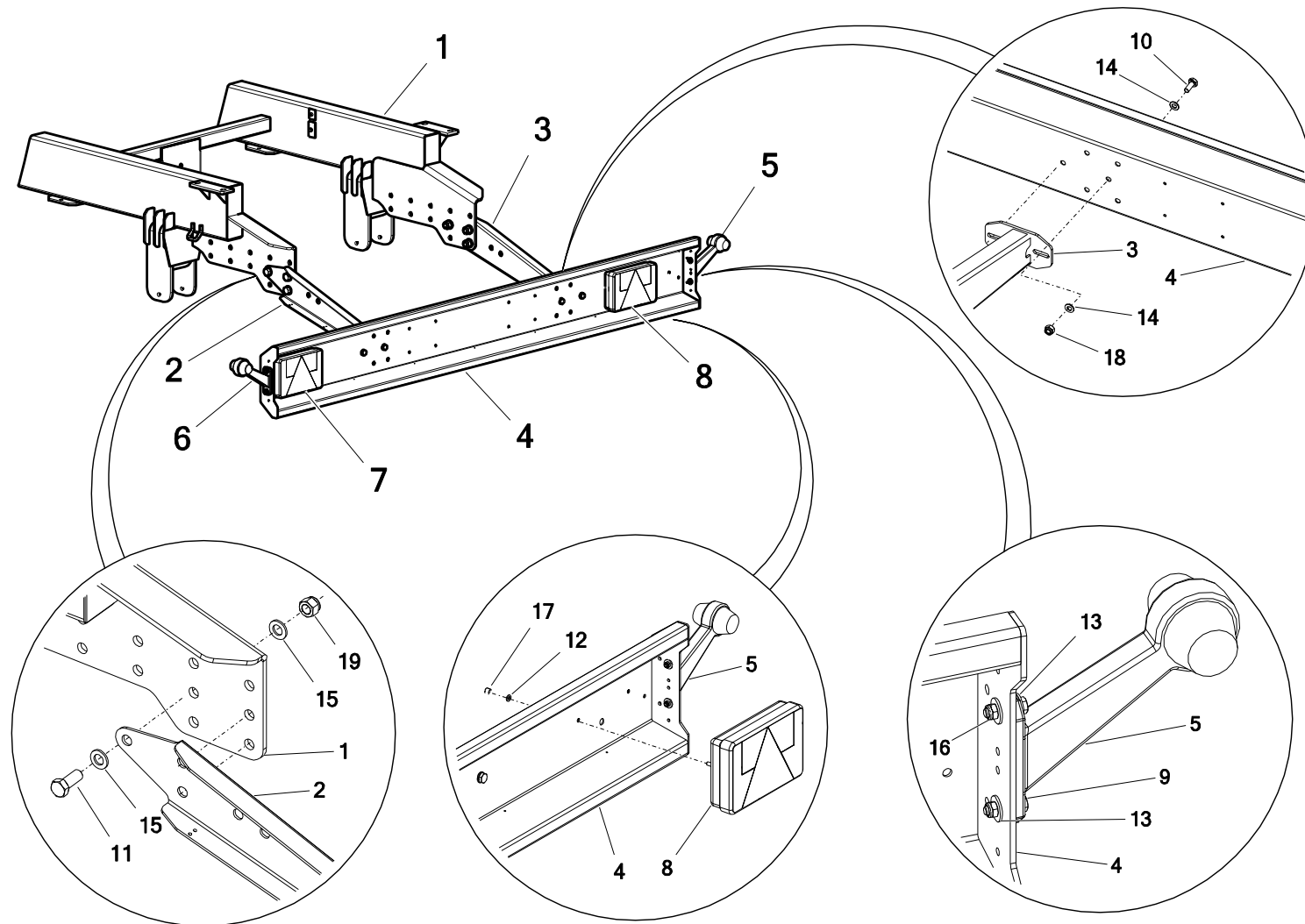
**13\*, 14\*, 44\*, 45\*, 46\*, 47\*, 48\*** - included in: gearbox MB10.18, complete (4 chain wheels) - **POD-WPS-000190**

## 16. LIGHT BAR, COMPLETE



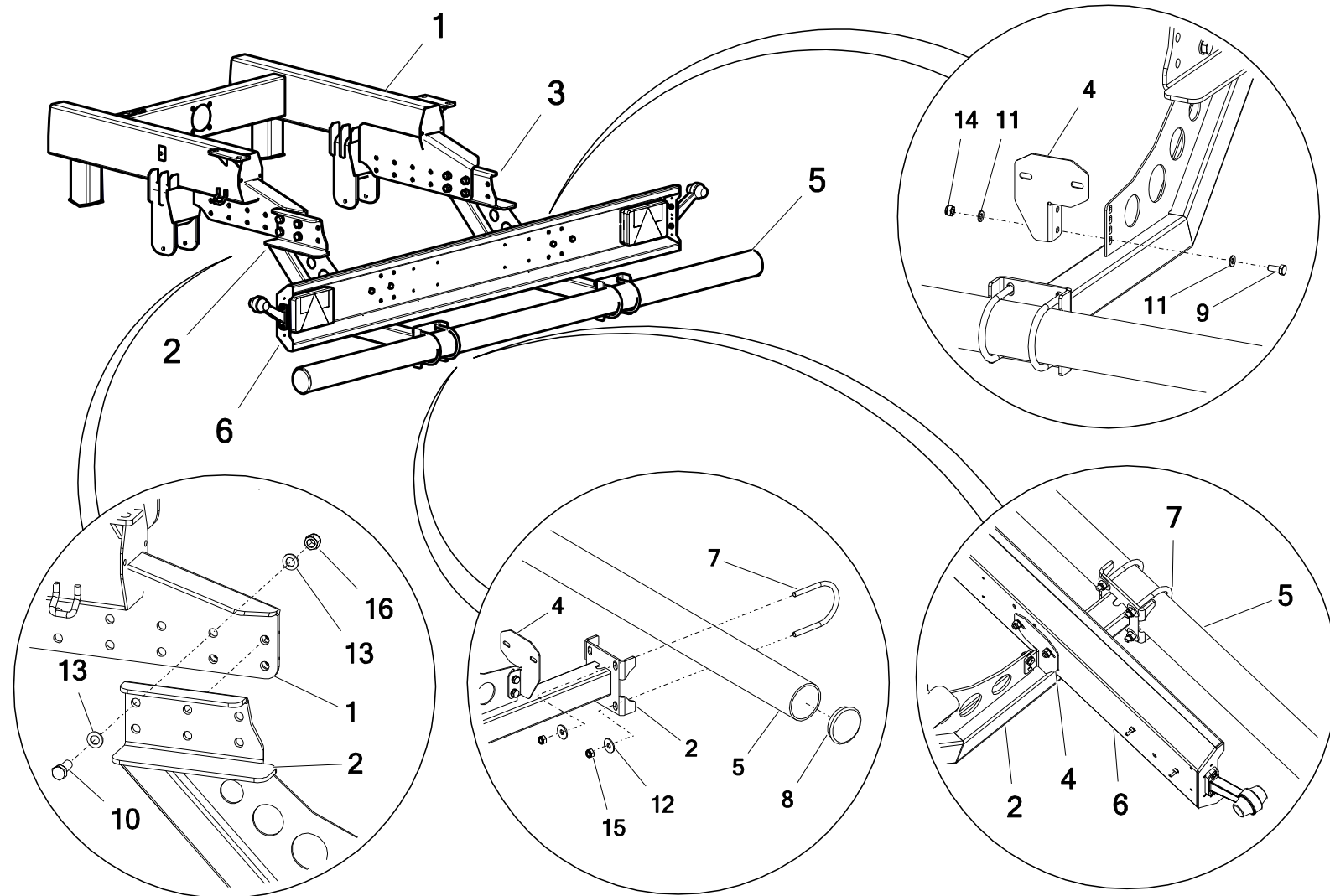
No.	Part or assembly name	Fig. or index No.			
		N272/3	Volume	N272/6	Volume
1	Lower frame	N272-3 01.00.00.1	1	N272-6 01.00.00.2	1
2	Light bar mounting, left side	N272 12.02.00L	1	N272 12.02.00L	1
3	Light bar mounting, right side	N272 12.02.00P	1	N272 12.02.00P	1
4	Light bar, complete	N272 12.00.00	1	N272 12.00.00	1
5	Bulb marker lamp on an extension arm HOR50 LO356/P, right side (R1-E9-02.1881; A-E9-02.1881)	POD-ELK-000117	1	POD-ELK-000117	1
6	Bulb marker lamp on an extension arm HOR50 LO356/L, left side (R1-E9-02.1881; A-E9-02.1881)	POD-ELK-000118	1	POD-ELK-000118	1
7	Bulb lamp cluster HOR45 LZT471, left side	POD-ELK-000012-1	1	POD-ELK-000012-1	1
8	Bulb lamp cluster HOR45 LZT478, right side	POD-ELK-000013-1	1	POD-ELK-000013-1	1
9	Bolt 6 x 25 galv. 8.8 82105	23S6/25OC 105	4	23S6/25OC 105	4
10	Bolt 10 x 25 galv. 8.8 82105 82105	23S10/25OC 8.8	4	23S10/25OC 8.8	4
11	Screw 16 x 40 black 8.8 82105 82105	23S16/45	6	23S16/45	6
12	Nut M6 galv. 82144 5 82144 5	23N6OC	4	23N6OC	4

## 16. LIGHT BAR, COMPLETE



No.	Part or assembly name	Fig. or index No.			
		N272/3	Volume	N272/6	Volume
13	Round washer 6 galv. coated 82030	23P6OC030	8	23P6OC030	8
14	Round washer 30 galv. 82005 82005	23P10 82005	8	23P10 82005	8
15	Round washer 16 galv. 82005 82005	23P16OOC	6	23P16OOC	6
16	Self-locking nut M6 galv. 82175 8 82175 8	23NS6OC	4	23NS6OC	4
17	Self-locking nut M6 galv. 82175 8 82175 8	23NS6OC	4	23NS6OC	4
18	Self-locking nut M10 galv. 82175 8 82175 8	23NS10OC	4	23NS10OC	4
19	Self-locking nut M16 x 1.5 galv. 82175 8	POD-ELZ-000381	6	POD-ELZ-000381	6

### 17. RUN BAR (MANSFIELD BAR), COMPLETE (OPTIONAL)



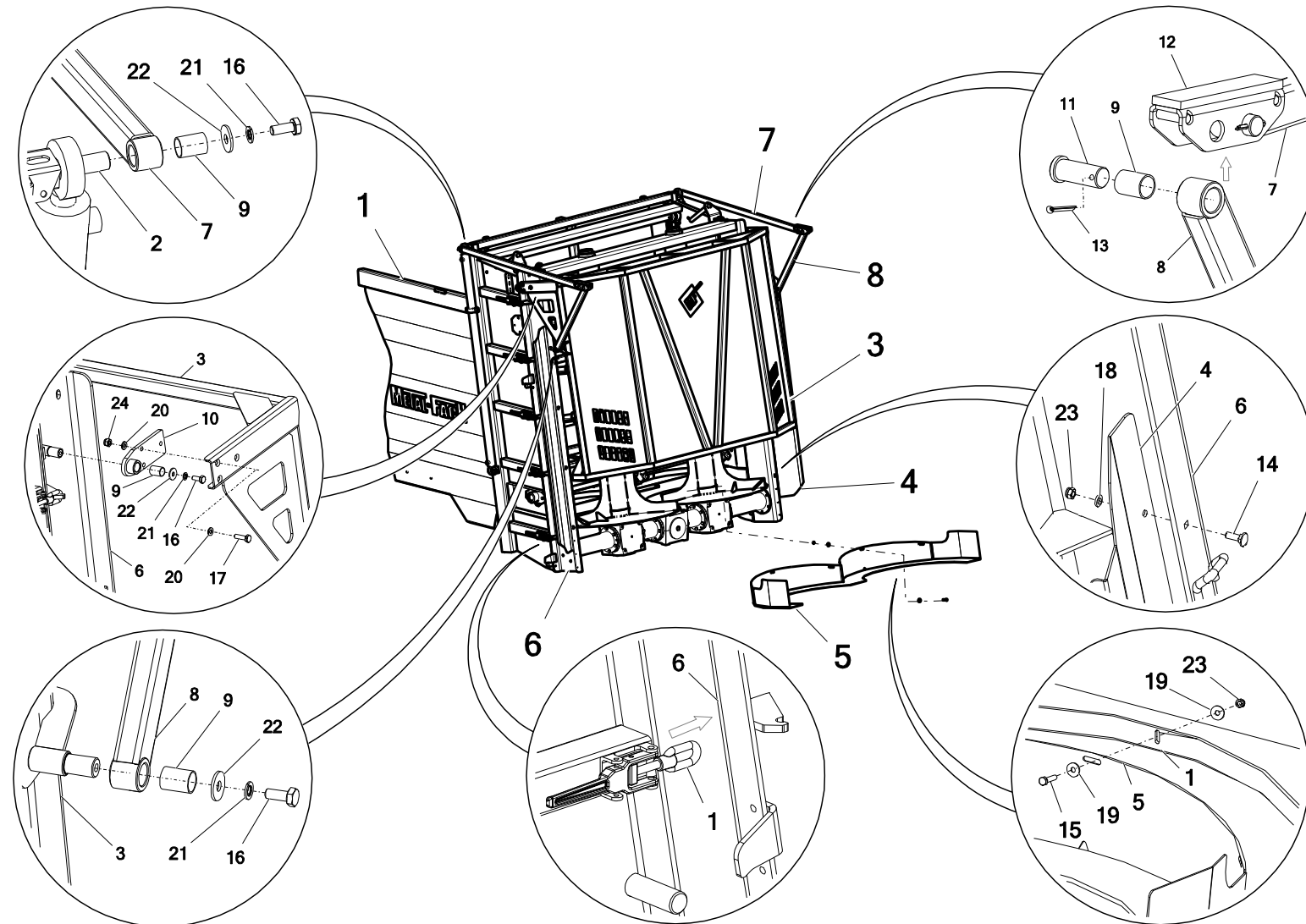
No.	Part or assembly name	Fig. or index No.			
		N272/3	Volume	N272/6	Volume
1	Lower frame	N272-3 01.00.00.1	1	N272-6 01.00.00.2	1
2*	Bar mounting, left side	N272-3 01.13.00L	1	N272-3 01.13.00L	1
3*	Bar mounting, right side	N272-3 01.13.00P	1	N272-3 01.13.00P	1
4	Light bar mounting	N272-3 01.12.03	2	N272-3 01.12.03	2
5*	Run bar pipe	N272-3 01.12.01	1	N272-3 01.12.01	1
6	Light bar, complete	N272 12.00.00	1	N272 12.00.00	1
7*	Jubilee clip type U M12 x 102 x 163, galv.	POD-ELZ-001012	4	POD-ELZ-001012	4
8*	Plastic stopper diam. 101.6	POD-TSZ-000179	2	POD-TSZ-000179	2
9*	Bolt 10 x 25 galv. 8.8 82105 82105	23S10/25OC 8.8	8	23S10/25OC 8.8	8
10*	Screw 16 x 40 black 8.8 82105 82105	23S16/45	8	23S16/45	8
11*	Round washer 30 galv. 82005 82005	23P10 82005	16	23P10 82005	16
12*	Washer, round 12 galv. coat. 82030	23P12OOC	8	23P12OOC	8
13*	Round washer 16 galv. 82005 82005	23P16OOC	8	23P16OOC	8
14*	Self-locking nut M16 x 1.5 galv. 82175 8	POD-ELZ-000381	8	POD-ELZ-000381	8
15*	Self-locking nut M12 galv. 82175 8 82175 8	23NS12OC	8	23NS12OC	8
16*	Self-locking nut M16 x 1.5 galv. 82175 8	POD-ELZ-000381	8	POD-ELZ-000381	8

**Key:**

**2\* - 5\*, 7\* - 16\*** - included in: Run bar set - **N272-3 01.12.00**

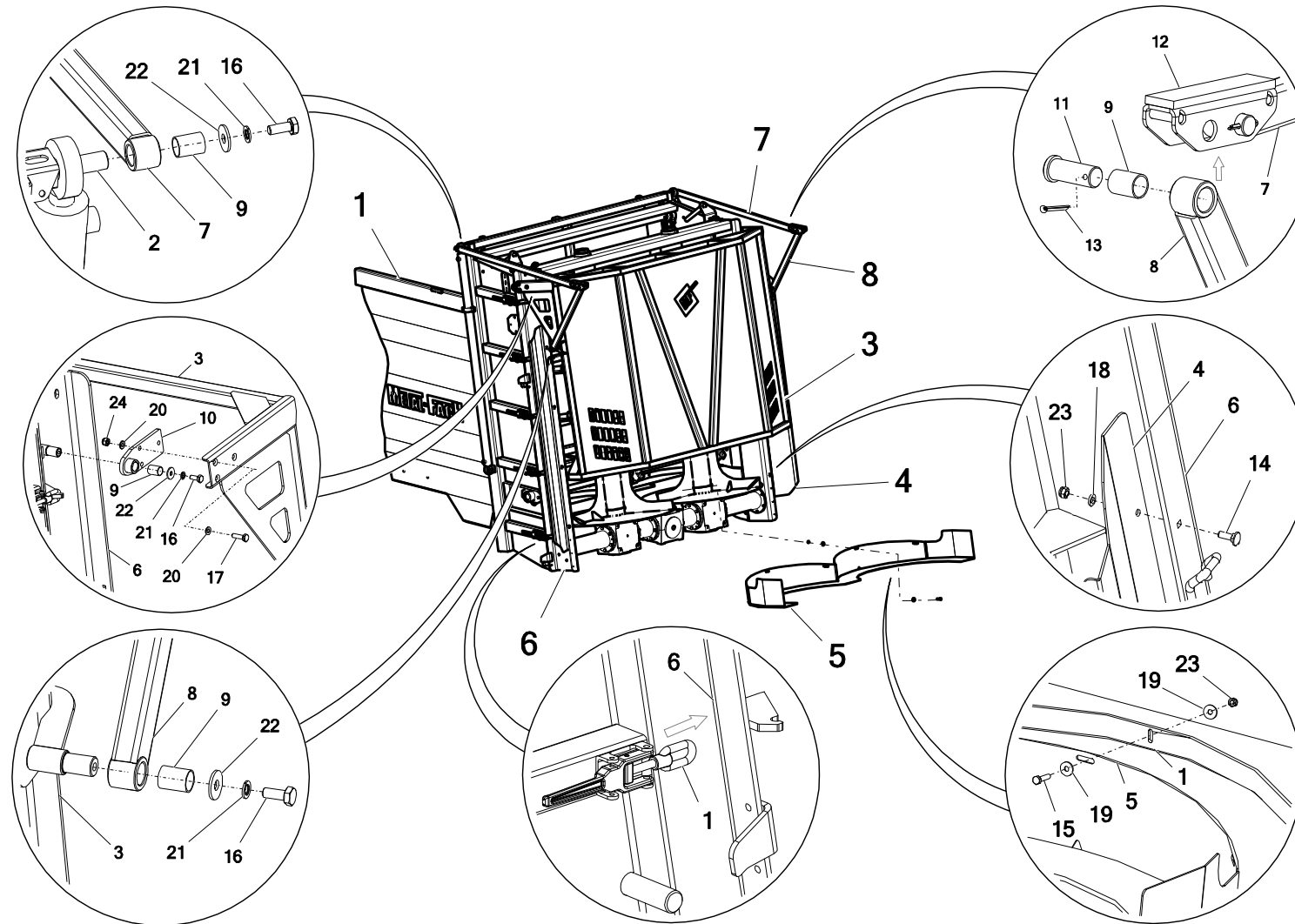


## 18. REAR TAILGATE OF THE 2-ROTOR VERTICAL ADAPTER



No.	Part or assembly name	Fig. or index No.			
		N272/3	Volume	N272/6	Volume
1	Body	N272-3 03.01.00.3	1	N272-3 03.01.00.3	1
2	Rear tailgate	N272-3 04.01.00	1	N272-3 04.01.00	1
3*	Rear flap	N272-3 17.01.00	1	N272-3 17.01.00	1
4*	Adapter side guard (deflector)	N272-3 17.05.01.1	2	N272-3 17.05.01.1	2
5*	Adapter bottom guard	N272-3 13.00.00	1	N272-3 13.00.00	1
6*	2-rotor vertical adapter, 2000 x 1880 (4-blade, 1000 rpm)	N272-3 10.00.00B	1	N272-3 10.00.00B	1
7*	Tailgate long arm	N272-3 17.03.00	2	N272-3 17.03.00	2
8*	Tailgate short arm	N272-3 17.02.00	2	N272-3 17.02.00	2
9*	Sleeve PAP 2030 P10	POD-LOZ-000022-1	10	POD-LOZ-000022-1	10
10*	Hinge of the rear tailgate	N272-3 17.06.00	2	N272-3 17.06.00	2
11*	Rear tailgate pin	N272-3 04.03.03	4	N272-3 04.03.03	4
12*	Tailgate hinge	N272-3 17.04.00	2	N272-3 17.04.00	2
13	Cotter pin 4 x 32 galv.	POD-ELZ-000542	4	POD-ELZ-000542	4
14	Carriage bolt 8 x 25 galv. 8.8 82406 82406	23S8/25OC 82406	8	23S8/25OC 82406	8
15	Bolt 8 x 35 galv. 8.8 82105 82105	23S8/35OC 8.8	6	23S8/35OC 8.8	6
16	Bolt 10 x 25 galv. 8.8 82105 82105	23S10/25OC 8.8	6	23S10/25OC 8.8	6
17	Bolt 10 x 35 galv. 8.8 82105 82105	23S10/35OC 8.8	6	23S10/35OC 8.8	6

## 18. REAR TAILGATE OF THE 2-ROTOR VERTICAL ADAPTER

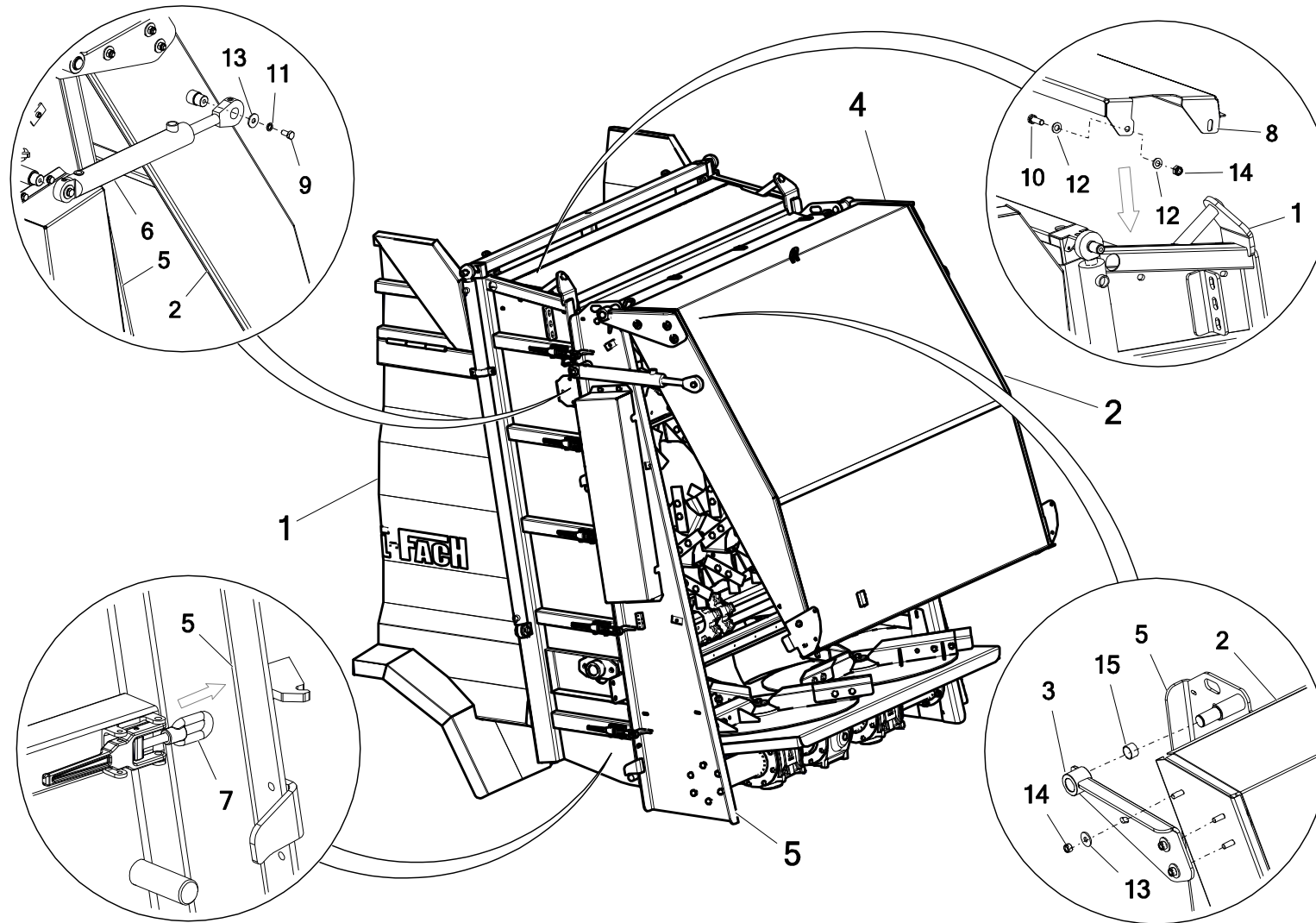


No.	Part or assembly name	Fig. or index No.			
		N272/3	Volume	N272/6	Volume
18	Round washer 8 galv. 82005 82005	23P8OOC	6	23P8OOC	6
19	Round washer 8 galv. coated 82030	23P8OC 82030	12	23P8OC 82030	12
20	Round washer 30 galv. 82005 82005	23P10 82005	12	23P10 82005	12
21	Spring washer 10.2 galv. 82008 82008	23P10SP	6	23P10SP	6
22	Round washer 10 galv. rough finish 82019	POD-ELZ-000413	6	POD-ELZ-000413	6
23	Self-locking nut M8 galv. 82175 8 82175 8	23NS8OC	14	23NS8OC	14
24	Self-locking nut M10 galv. 82175 8 82175 8	23NS10OC	6	23NS10OC	6

**Key:**

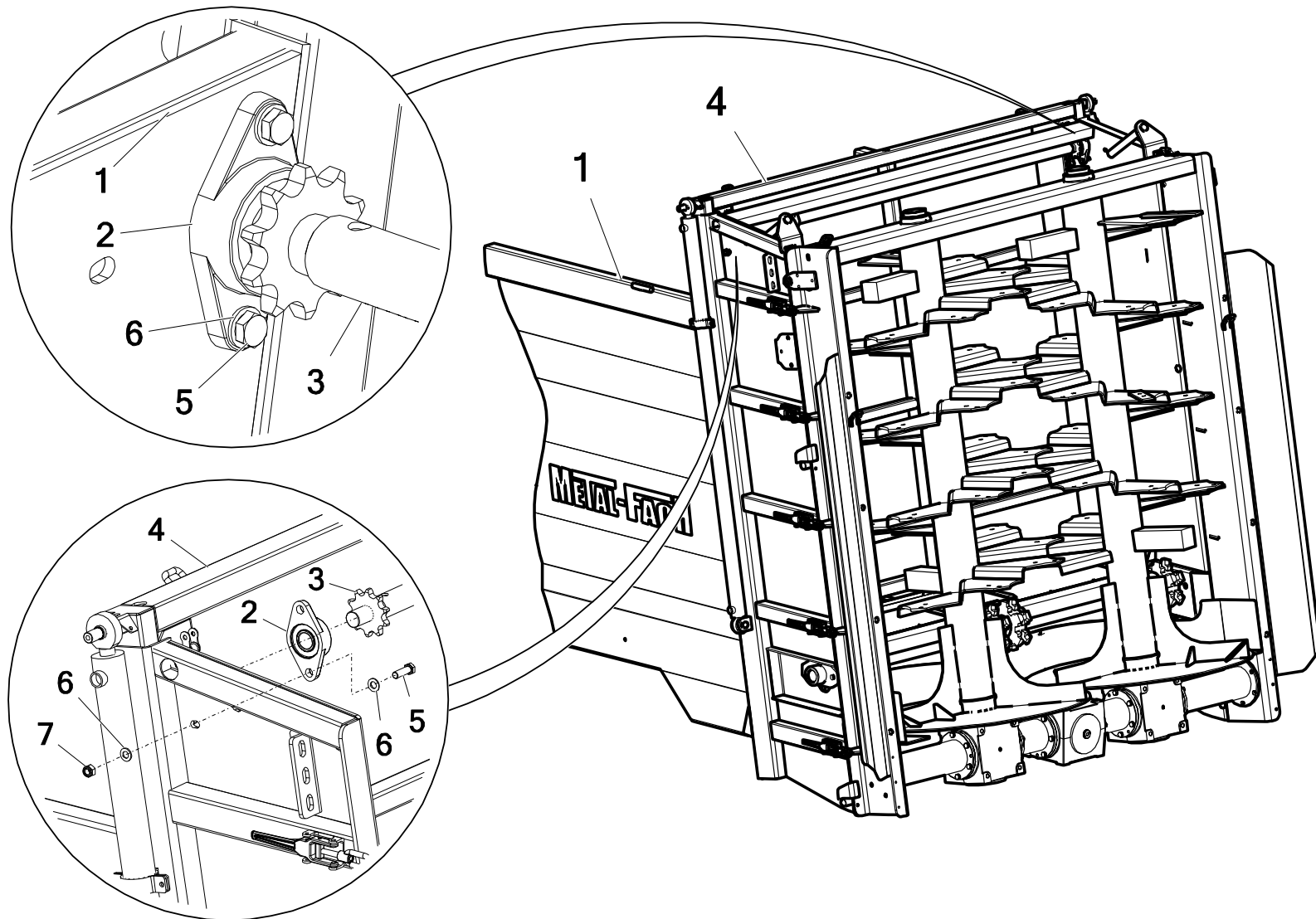
**3\*- 12\*** - included in: 2-rotor vertical adapter set, 2000 x 1880 (1000 rpm) VIKING – **N272-3 10.00.00P2**

## 19. TAILGATE OF THE 2-ROTOR HORIZONTAL DISC ADAPTER



No.	Part or assembly name	Fig. or index No.			
		N272/3	Volume	N272/6	Volume
1	Body	N272-3 03.01.00.3	1	N272-3 03.01.00.3	1
2	Horizontal adapter rear tailgate	N272-3 17.11.00	1	N272-3 17.11.00	1
3	Tailgate arm, left side	N272 17.02.00.2L	1	N272 17.02.00.2L	1
4	Tailgate arm, right side	N272 17.02.00.2P	1	N272 17.02.00.2P	1
5	2-rotor horizontal disc adapter 2000 x 1950 (1000 rpm)	N272-3 11.00.00	1	N272-3 11.00.00	1
6	Cylinder 50/28/300z+U L-532	24SCJ2F-16-50/28/300 - 2	2	24SCJ2F-16-50/28/300 - 2	2
7	Side extension eccentric fastener	POD-OGL-000459	10	POD-OGL-000459	10
8	Adapter top guard	N272-3 03.00.08.1	1	N272-3 03.00.08.1	1
9	Screw 12 x 25 galv. 8.8 82105 82105	23S12/25OC 8.8	4	23S12/25OC 8.8	4
10	Bolt 12 x 35 galv. 8.8 82105 82105	23S12/35OC 8.8	4	23S12/35OC 8.8	4
11	Spring washer 12 galv. 82008 82008	23P12SP	4	23P12SP	4
12	Round washer 12 galv. 82005	23P12OC	8	23P12OC	8
13	Washer, round 12 galv. coat. 82030	23P12OOC	10	23P12OOC	10
14	Self-locking nut M12 galv. 82175 8 82175 8	23NS12OC	10	23NS12OC	10
15	Sleeve PAP 3050	25T3050	2	25T3050	2

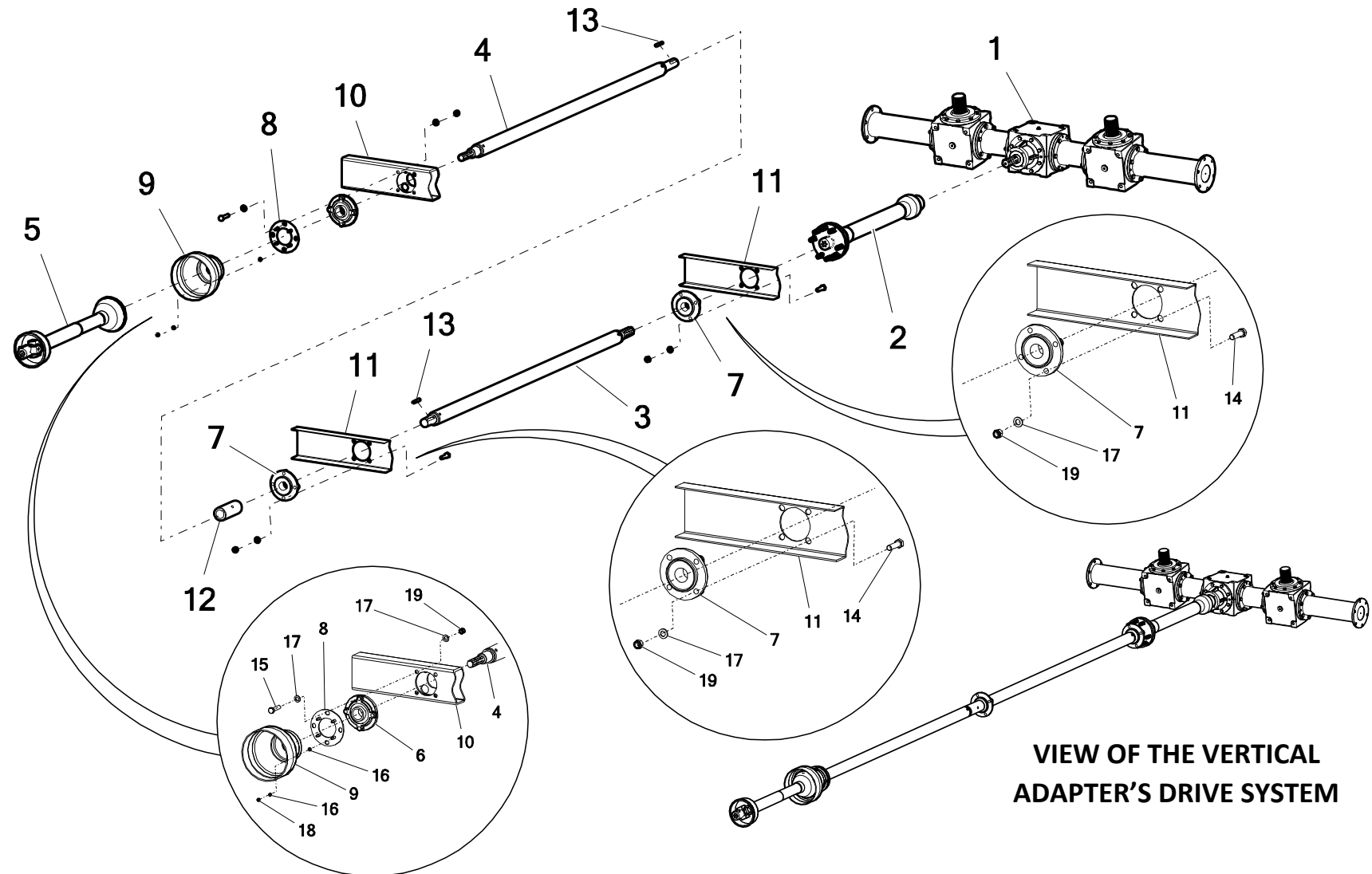
## 20. SYNCHRONISER SHAFT, COMPLETE



No.	Part or assembly name	Fig. or index No.			
		N272/3	Volume	N272/6	Volume
1	Body	N272-3 03.01.00.3	1	N272-3 03.01.00.3	1
2	Bearing unit UCFL206	25L206UCFL	2	25L206UCFL	2
3	Synchroniser shaft	N272 14.01.00	1	N272 14.01.00	1
4	Rear tailgate	N272-3 04.01.00	1	N272-3 04.01.00	1
5	Bolt 12 x 40 galv. 10.9 82105	POD-ELZ-000421	4	POD-ELZ-000421	4
6	Round washer 12 galv. 82005	23P12OC	8	23P12OC	8
7	Self-locking nut M12 galv. 82175 8 82175 8	23NS12OC	4	23NS12OC	4

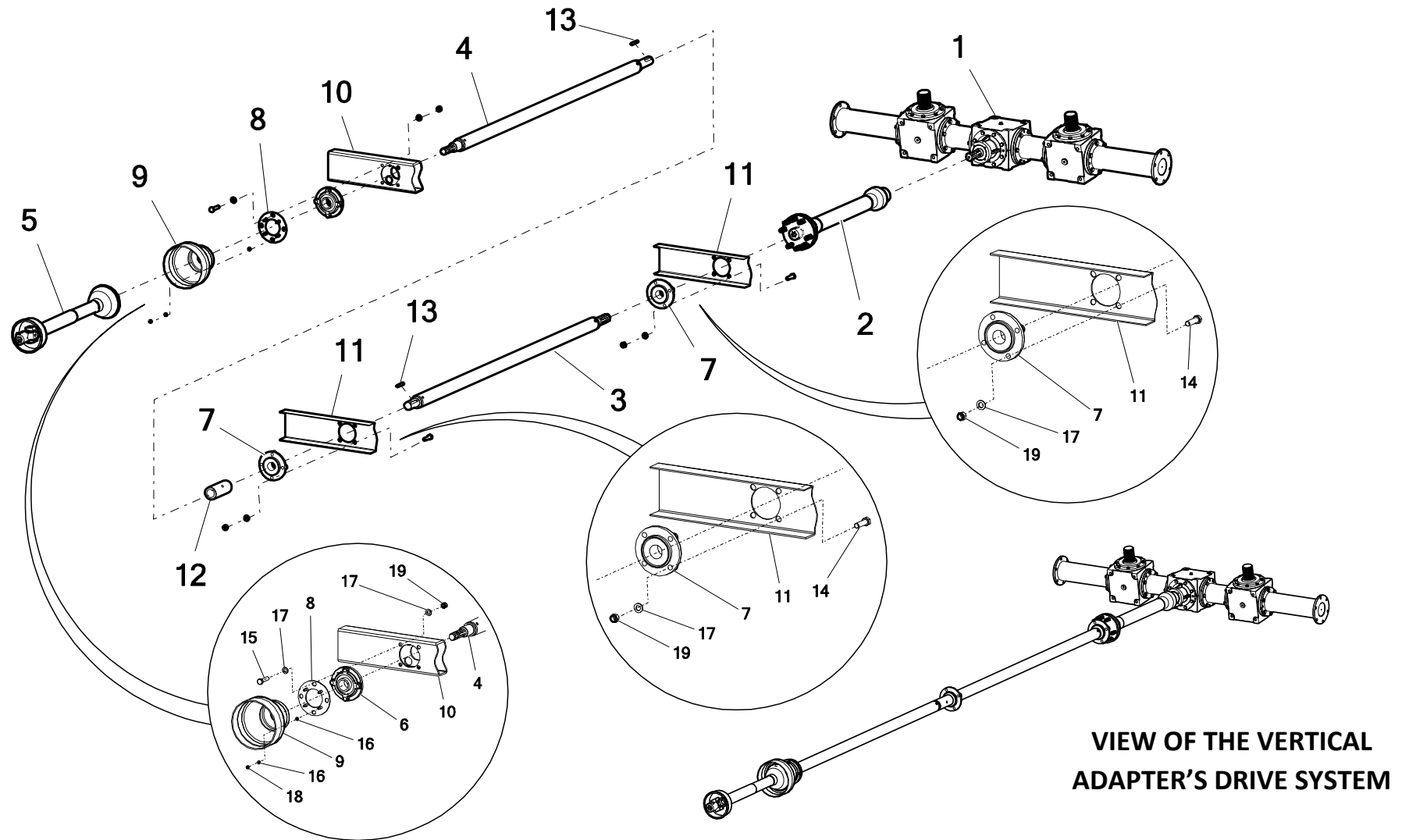


## 21. DRIVE SYSTEM OF THE 2-ROTOR VERTICAL AND HORIZONTAL DISC ADAPTERS



No.	Part or assembly name	Fig. or index No.			
		N272/3	Volume	N272/6	Volume
1	Gearbox MB10.40, L-2000 mm (2-rotor) NEW	POD-WPS-000272	1	POD-WPS-000272	1
	Gear MB10.18, complete (horizontal disc adapter)	POD-WPS-000190	1	POD-WPS-000190	1
2	Articulated shaft 680440/804.C6803A/5NW 1300Nm L=710/1110 1.3/4 Z6 (2-rotor vertical adapter)	POD-WPS-000144	1	POD-WPS-000144	1
	Articulated shaft 680450/804.C6803A/5NW 1300Nm L=810/1310mm 1 3/4 Z6 (horizontal disc adapter)	POD-WPS-000193	1	POD-WPS-000193	1
3	Rear roller (II)	N272-3 01.03.20	1	N272-3 01.03.20	11
4	Rear roller (I)	N272-3 01.03.10	1	N272-3 01.03.10	
5	Articulated shaft 680005/802.K68-1/5NW 2700 Nm L=1460/2490 1.3/8 Z6	POD-WPS-000161	1	POD-WPS-000161	1
5**	Wide-angle articulated shaft 680060/S802.K68-1/5NW 2700 Nm L1530/2400 1 3/8" Z6	POD-WPS-000230	1	POD-WPS-000230	1
6	Bearing unit 210UCFC	25L210UCFC	2	25L210UCFC	2
7	Bearing unit UCFC209	25L209UCFC	1	25L209UCFC	1
8	Guard mounting	N272 01.03.30	1	N272 01.03.30	1
9	Guard with inspection hole	POD-TSZ-000204	1	POD-TSZ-000204	1
10*	Cross bar	N272-6 01.00.02	1	N272-6 01.00.02	1

## 21. DRIVE SYSTEM OF THE 2-ROTOR VERTICAL AND HORIZONTAL DISC ADAPTERS



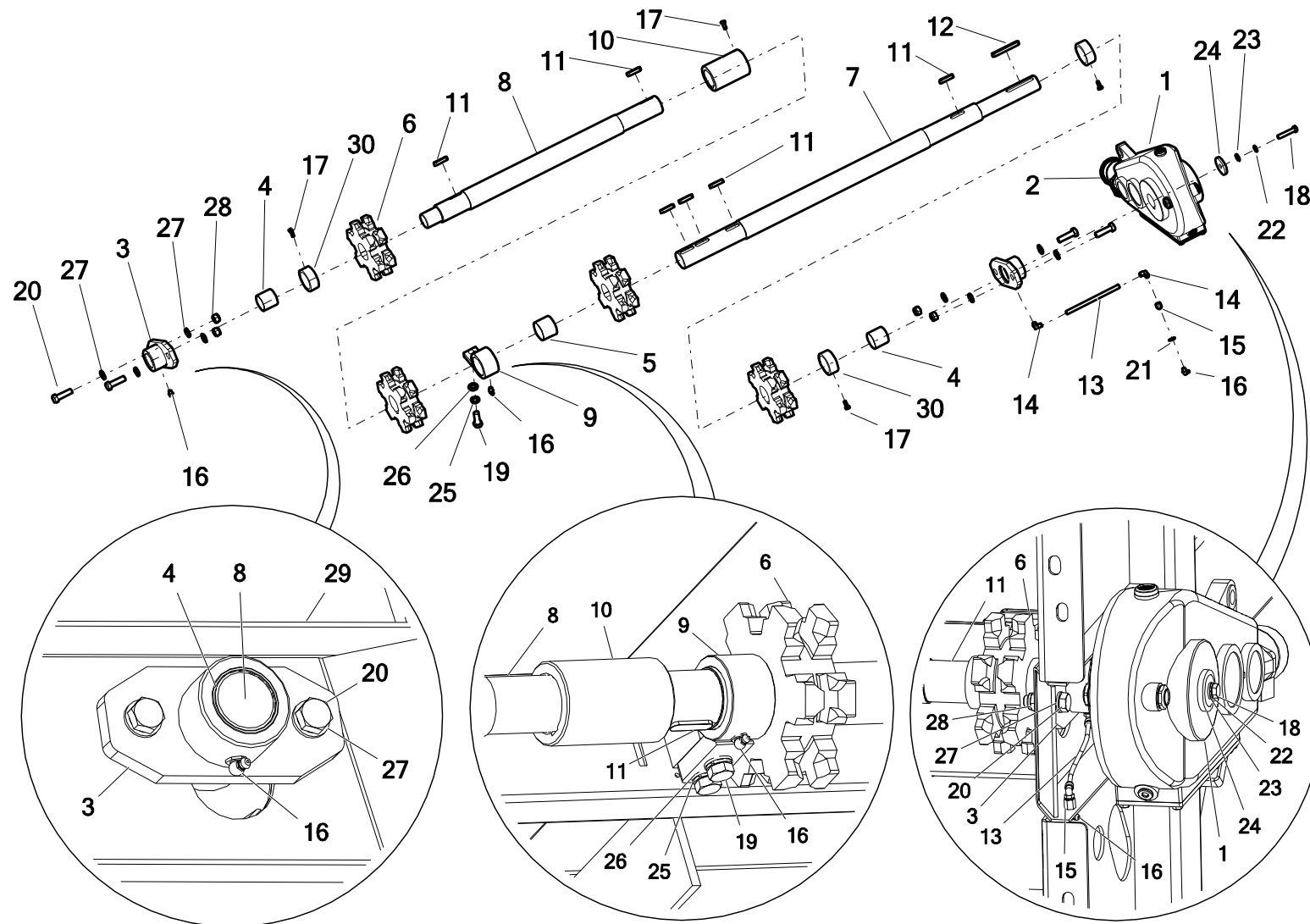
No.	Part or assembly name	Fig. or index No.			
		N272/3	Volume	N272/6	Volume
11*	Transverse channel section	N272-6 01.00.07	2	N272-6 01.00.07	2
12	Coupling bushing	N267 02.04.06 POD-EOS-000293	1	N267 02.04.06 POD-EOS-000293	1
13	Key 12 x 8 x 70 DIN 6885A	POD-ELZ-000433	2	POD-ELZ-000433	2
14	Bolt 16 x 55 galv. 8.8 82105 82105	23S16/55OC	8	23S16/55OC	8
15	Bolt 16 x 65, galv. 8.8 82101 82101	23S16/65OC 8.8	4	23S16/65OC 8.8	4
16	Round washer 8 galv. 82005 82005	23P8OOC	8	23P8OOC	8
17	Round washer 16 galv. 82005 82005	23P16OOC	16	23P16OOC	16
18	Self-locking nut M8 galv. 82175 8 82175 8	23NS8OC	4	23NS8OC	4
19	Self-locking nut M16 galv. 82175 8 82175 8	23NS16OC	12	23NS16OC	12

**Key:**

**5\*\*** - optional equipment

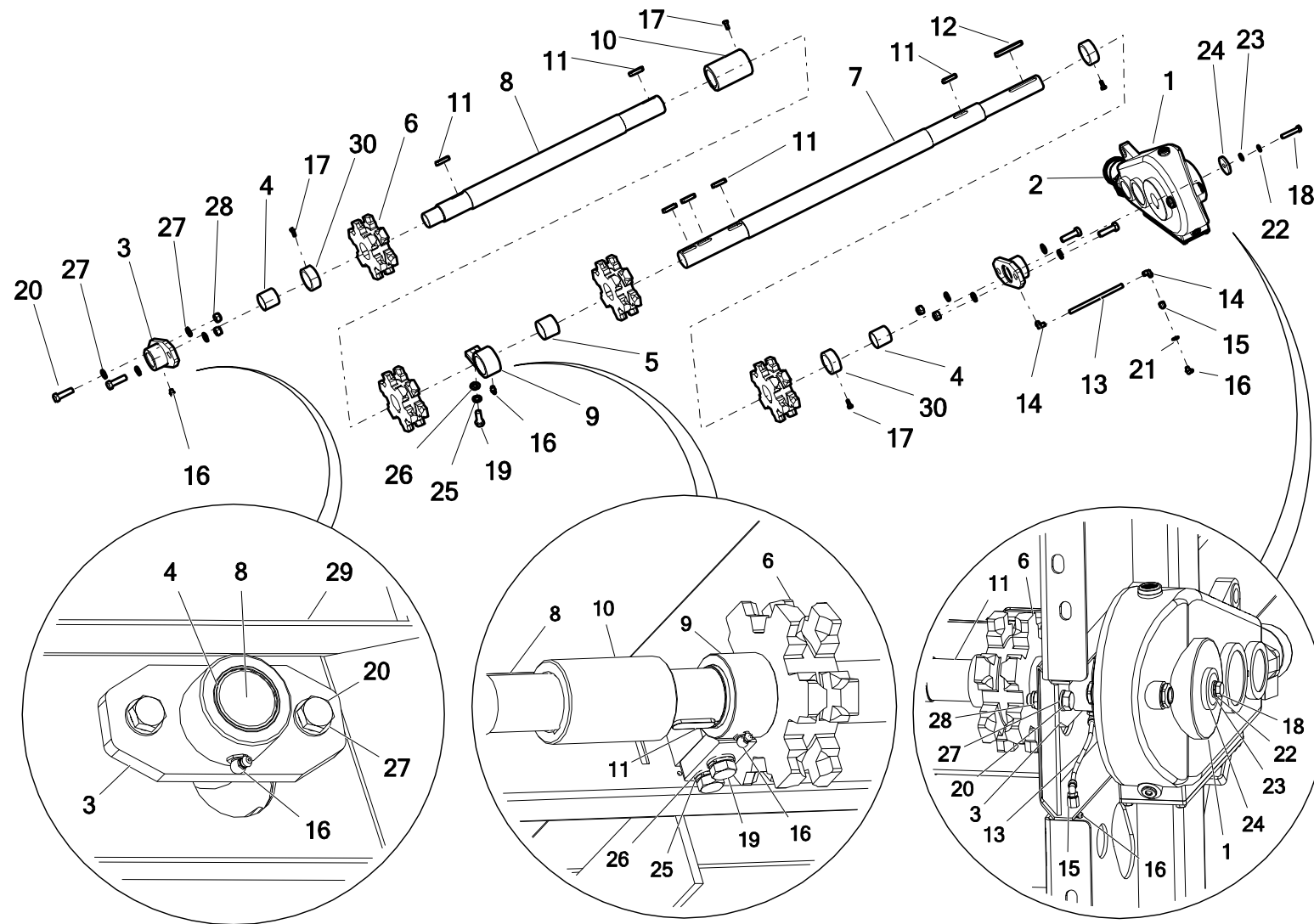
**10\* - 11\*** - inseparable parts of the bottom frame - **N272-3 01.00.00.1**

## 22. REAR SHAFT



No.	Part or assembly name	Fig. or index No.			
		N272/3	Volume	N272/6	Volume
1	Side gearbox PRK-550-01- AAB.R1	POD-WPS-000153	1	POD-WPS-000153	1
2	OMR 200 (BMR) hydraulic motor	24S200	1	24S200	1
3	Floor shaft mounting	N272-3 09.07.00	2	N272-3 09.07.00	2
4	Sleeve PAP 5050 P10	POD-LOZ-000256	3	POD-LOZ-000256	3
5	Sleeve PAP 6050 P10	POD-LOZ-000257	1	POD-LOZ-000257	1
6	Viking scraper system chain wheel	POD-EOS-000401	4	POD-EOS-000401	4
7	Rear roller (I)	N272-3 09.01.04.1	1	N272-3 09.01.04.1	1
8	Rear roller (II)	N272-3 09.01.05	1	N272-3 09.01.05	1
9	Shaft mounting	N272-3 09.05.00.1	1	N272-3 09.05.00.1	1
10	Coupling bushing	N272-3 09.01.06	1	N272-3 09.01.06	1
11	Key 14 x 9 x 50	POD-ELZ-000691	6	POD-ELZ-000691	6
12	Key 14 x 9 x 140	POD-ELZ-000692	1	POD-ELZ-000692	1
13	Central lubrication nipple Plastic conduit diam. 6 x 4 PA6	24P6	1	24P6	1
14	Connector 6520-6-1/8 (RL31/C FOX6 1/8)	POD-HKR-000013-1	2	POD-HKR-000013-1	2
15	Lubrication nipple	N267 02.02.114	1	N267 02.02.114	1
16	Lubricating nipple M10 x 1.0 90 angle	23SM10KAT90	3	23SM10KAT90	3
17	Bolt 8 x 20 galv. 8.8 82105 82105	23S8/20OC 8.8	3	23S8/20OC 8.8	3
18	Bolt 12 x 60 galv. 10.9 82101	POD-ELZ-000053-1	1	POD-ELZ-000053-1	1

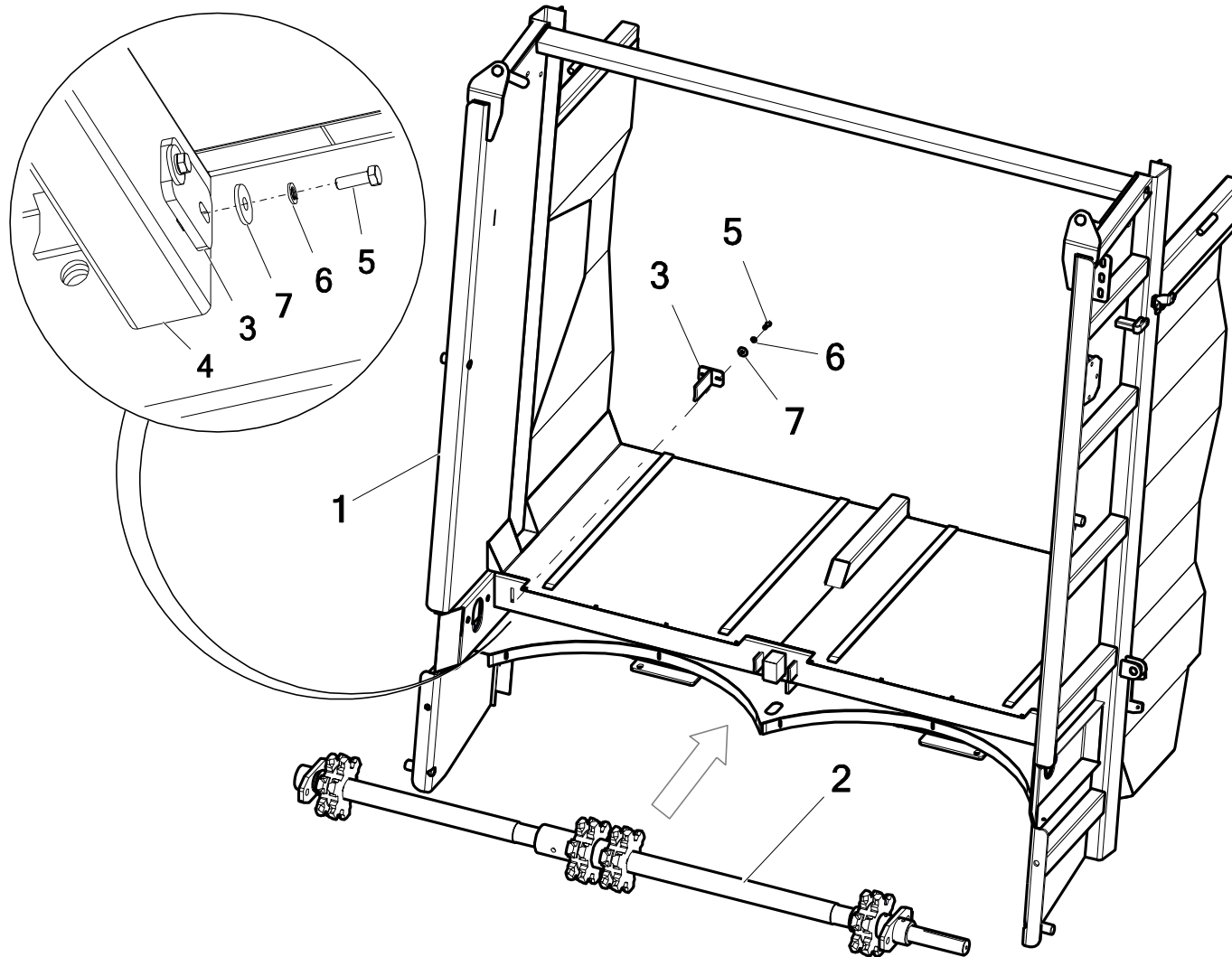
## 22. REAR SHAFT



No.	Part or assembly name	Fig. or index No.			
		N272/3	Volume	N272/6	Volume
19	Bolt 16 x 45 galv. 10.9 82105	POD-ELZ-000402	2	POD-ELZ-000402	2
20	Bolt 16 x 55 galv. 10.9 82101	POD-ELZ-000418	4	POD-ELZ-000418	4
21	Round washer 30 galv. 82005 82005	23P10 82005	1	23P10 82005	1
22	Spring washer 12 galv. 82008 82008	23P12SP	1	23P12SP	1
23	Round washer 12 galv. 82005	23P12OC	1	23P12OC	1
24	Bearing washer	N272 10.14.05	1	N272 10.14.05	1
25	Spring washer 16.3 galv. 82008 82008	23P16SP	2	23P16SP	2
26	Round washer 16 galv. 82005 82005	23P16OOC	2	23P16OOC	2
27	Round washer 16 galv. 82005 82005	23P16OOC	8	23P16OOC	8
28	Self-locking nut M16 galv. 82175 8 82175 8	23NS16OC	4	23NS16OC	4
29	Shell (VIKING 14-18t)	N272-3 03.01.00.3	1	N272-3 03.01.00.3	1
30	Spacer	N272-3 09.01.07	3	N272-3 09.01.07	3



**23. REAR SCRAPER**

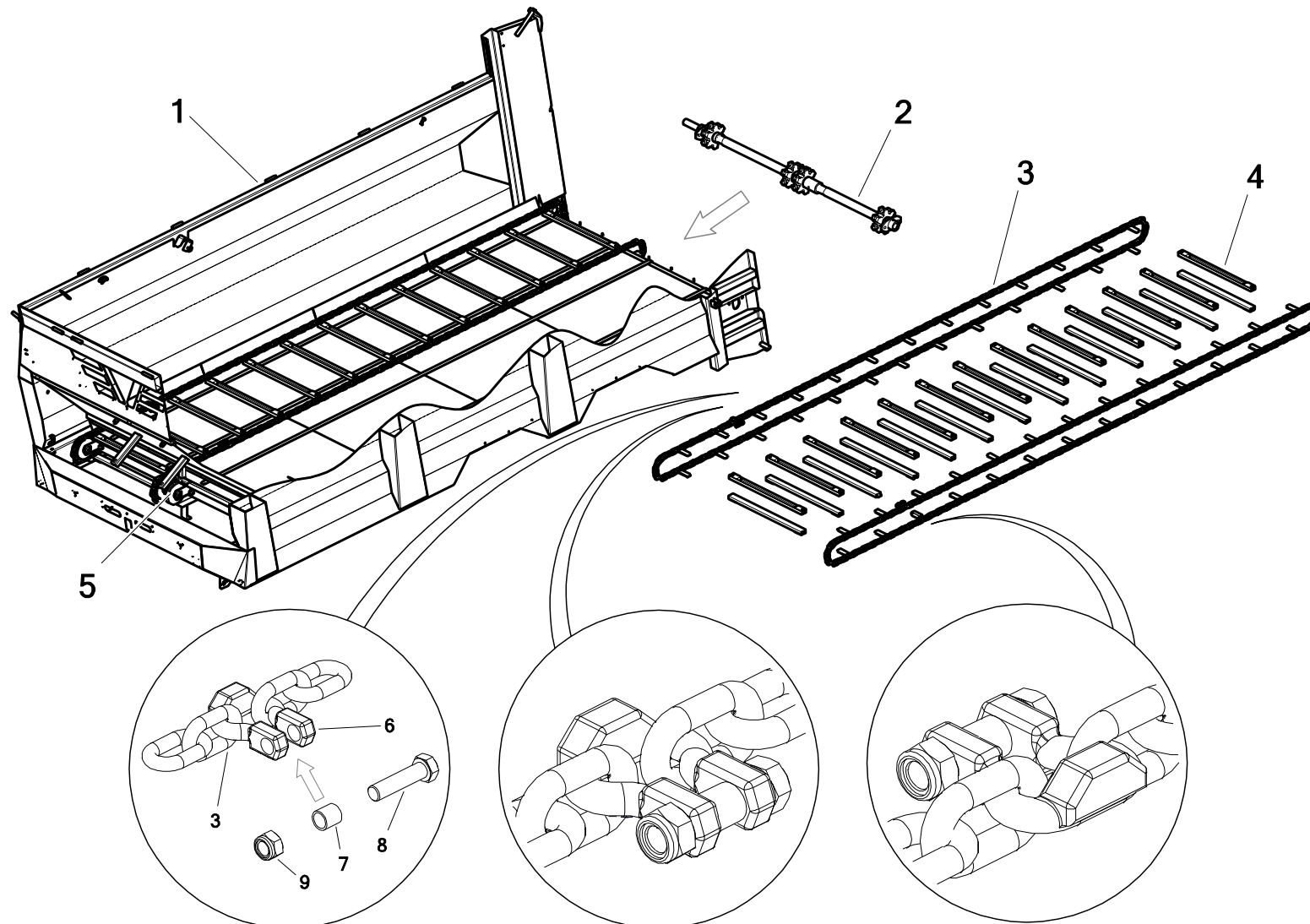


No.	Part or assembly name	Fig. or index No.			
		N272/3	Volume	N272/6	Volume
1	Body	N272-3 03.01.00.3	1	N272-3 03.01.00.3	1
2	Floor drive shaft	N272-3 09.01.00	1	N272-3 09.01.00	1
3	Rear scraper	N272-3 09.08.00	4	N272-3 09.08.00	4
4*	Floor profile	N272-3 03.01.71	1	N272-3 03.01.71	1
5	Bolt 8 x 25 galv. 8.8 82105 82105	23S8/25OC8.8	8	23S8/25OC8.8	8
6	Spring washer 8.2 galv. 82008 82008	23P8SPOC	8	23P8SPOC	8
7	Round washer 8 galv. coated 82019	23P8 82019OC	8	23P8 82019OC	8

**Key:**

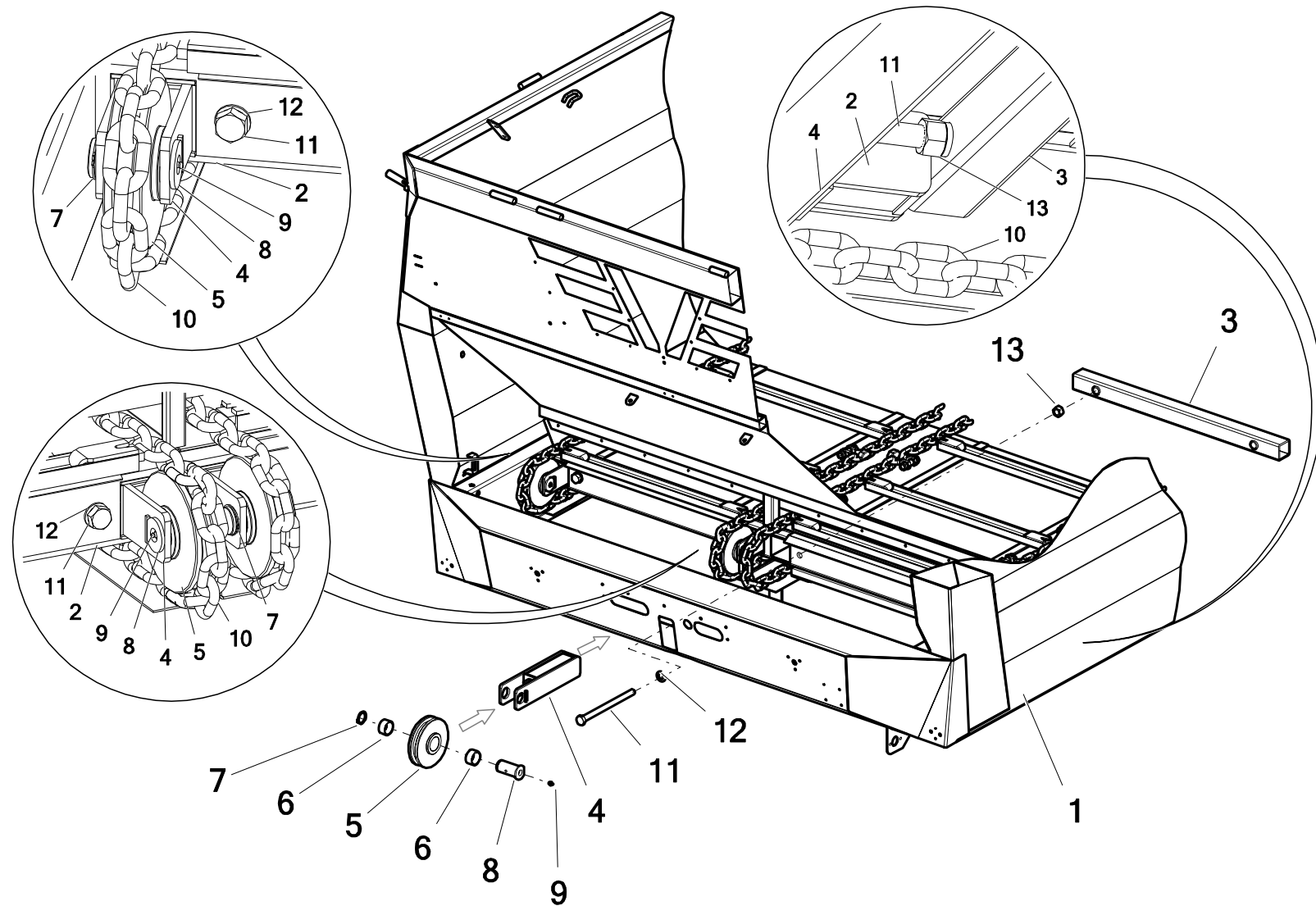
**4\*** - inseparable part of the body - **N272-3 03.01.00.3**

## 24. FLOOR CONVEYOR



No.	Part or assembly name	Fig. or index No.			
		N272/3	Volume	N272/6	Volume
1	Body	N272-3 03.01.00.3	1	N272-3 03.01.00.3	1
2	Floor drive shaft	N272-3 09.01.00	1	N272-3 09.01.00	1
3	Floor conveyor chain (10.5 m)	N272-3 09.02.00	4	N272-3 09.02.00	4
4	Conveyor bar, complete	N272-3 09.06.00.1	58	N272-3 09.06.00.1	58
5	Tensioner roller, complete	N272-3 09.09.03	4	N272-3 09.09.03	4
6	Chain connector NK14 - forging	N272-3 09.10.00	4	N272-3 09.10.00	4
7	Chain connector spacer	N272-3 09.11.01	4	N272-3 09.11.01	4
8	Bolt 16 x 65 galv. 10.9 82101	POD-ELZ-000832	4	POD-ELZ-000832	4
9	Self-locking nut M16 galv. 82175 8 82175 8	23NS16OC	4	23NS16OC	4

## 25. TENSIONER, COMPLETE

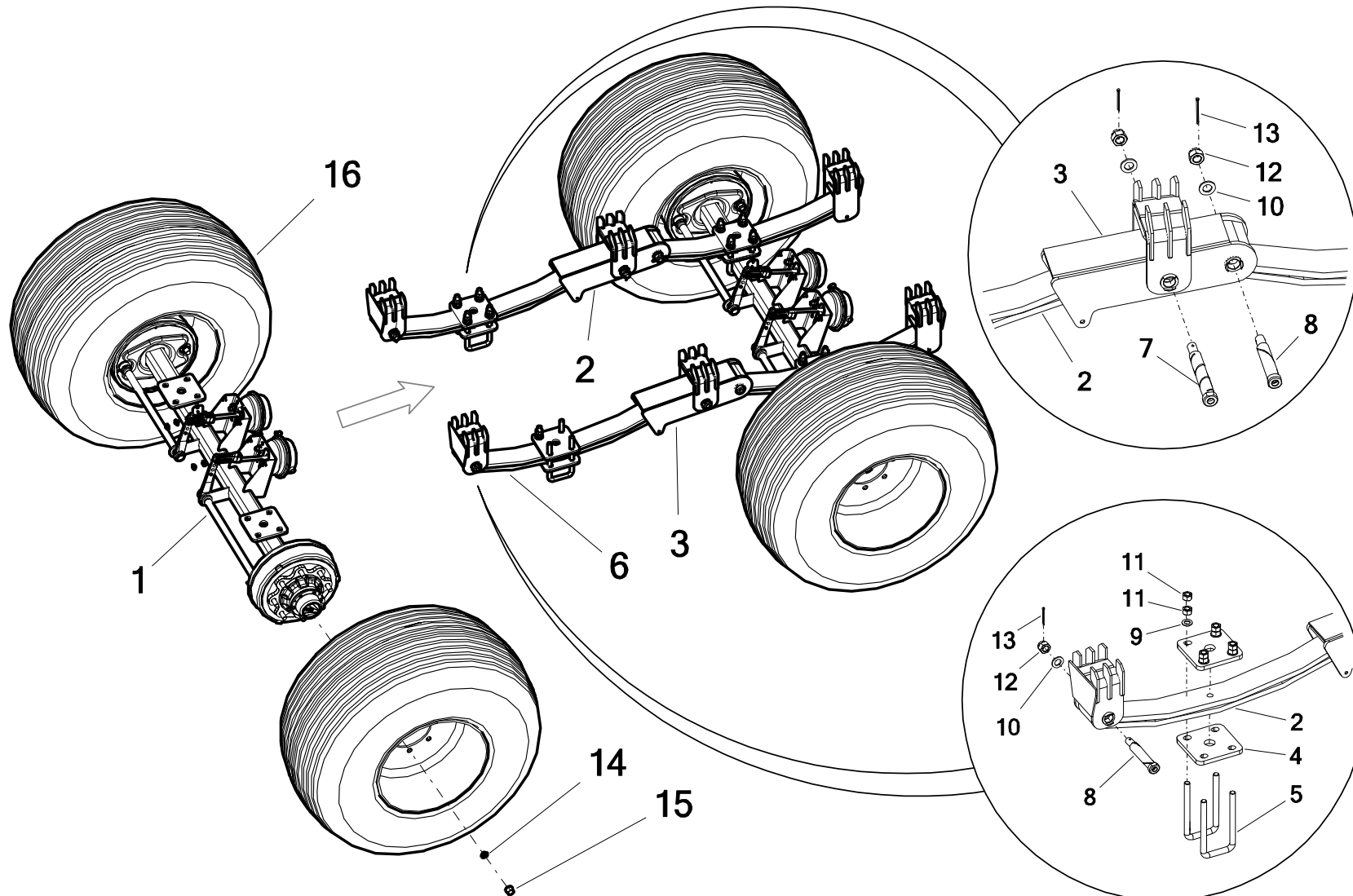


No.	Part or assembly name	Fig. or index No.			
		N272/3	Volume	N272/6	Volume
1	Body	N272-3 03.01.00.3	1	N272-3 03.01.00.3	1
2*	Tensioner bar	N272-3 03.01.72	1	N272-3 03.01.72	1
3	Tensioning clamp, complete	N272-3 09.04.00	2	N272-3 09.04.00	2
4	Chain tension	N272-3 09.03.00.1	4	N272-3 09.03.00.1	4
5	Tensioner roller, complete	N272-3 09.09.03	4	N272-3 09.09.03	4
6	Self-lubricating sleeve 40H8/50R7 x 25	25T40/50/25	8	25T40/50/25	8
7	Circlip Z40	23SZ40	4	23SZ40	4
8	Chain wheel pin	N272 09.00.07	4	N272 09.00.07	4
9	Lubricating nipple M8 x 1.0 simple	23SM8	4	23SM8	4
10	Floor conveyor chain	N272-3 09.02.00	4	N272-3 09.02.00	4
11	Bolt 20 x 280 galv. 8.8 82105	POD-ELZ-000838	4	POD-ELZ-000838	4
12	Round washer 20, galv. 82005 82005	23P20OOC	4	23P20OOC	4
13	Nut M20 galv. 8.8 DIN934 8 DIN934 8	23N M20 CL.8 DIN934OC	4	23N M20 CL.8 DIN934OC	4

**Key:**

2\* - inseparable part of the body - **N272-3 03.01.00.3**

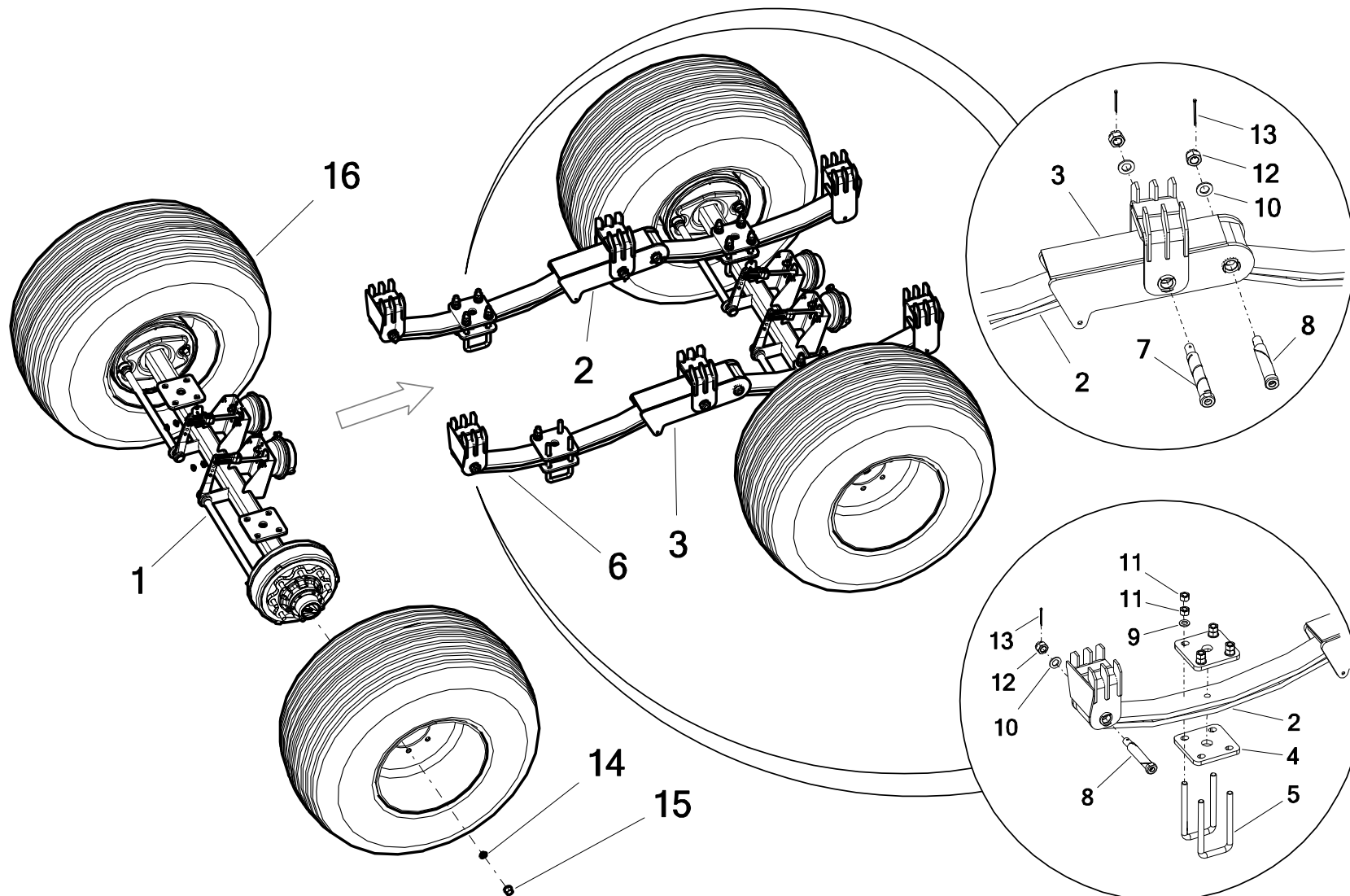
## 26. TANDEM TYPE SUSPENSION - N272/3 (14t) - VIKING



No.	Part or assembly name	Fig. or index No.			
		N272/3	Volume	N272/6	Volume
1	Universal axle, complete	N272-3 02.04.00.1	2	_____	_____
2	Suspension system springs connector, right side	N272 02.01.00	1		
3	Suspension system springs connector, left side	N272 02.02.00	1		
4	Sheet metal under the suspension spring (welded)	N272 02.04.02	8		
5	U-bolt clamp for axle	N272 02.04.01	8		
6	Parabolic suspension spring 4121001	POD-OGL-000300	4		
7	Connector pin	N272 02.00.01.1	2		
8	Leaf spring pin	N272 02.00.02.1	4		
9	Round washer 20 galv. 82005 82005	23P20OOC	16		
10	Round washer, 24 galv. 82005 82005	23P24OC	6		
11	Fine-threaded nut M20 x 1.5 galv.	23N20-1.5OC	32		
12	Castellated nut M24 x 2 cl. 8 galv.	POD-ELZ-000602	6		
13	Cotter pin 5 x 63 galv.	23Z5/63	6		



## 26. TANDEM TYPE SUSPENSION - N272/3 (14t) - VIKING



No.	Part or assembly name	Fig. or index No.			
		N272/3	Volume	N272/6	Volume
14	Axle pin washer A90TN8TG052 574201	POD-KOS-000341	32	_____	_____
15	Axle pin nut A90TN8TG052 57320B1	POD-KOS-000043	32		
16*	Wheel, complete	See description provided in the key below the table	4		

**Key:**

**16\* - Wheel, complete**

a) 550-60/22.5" wheels

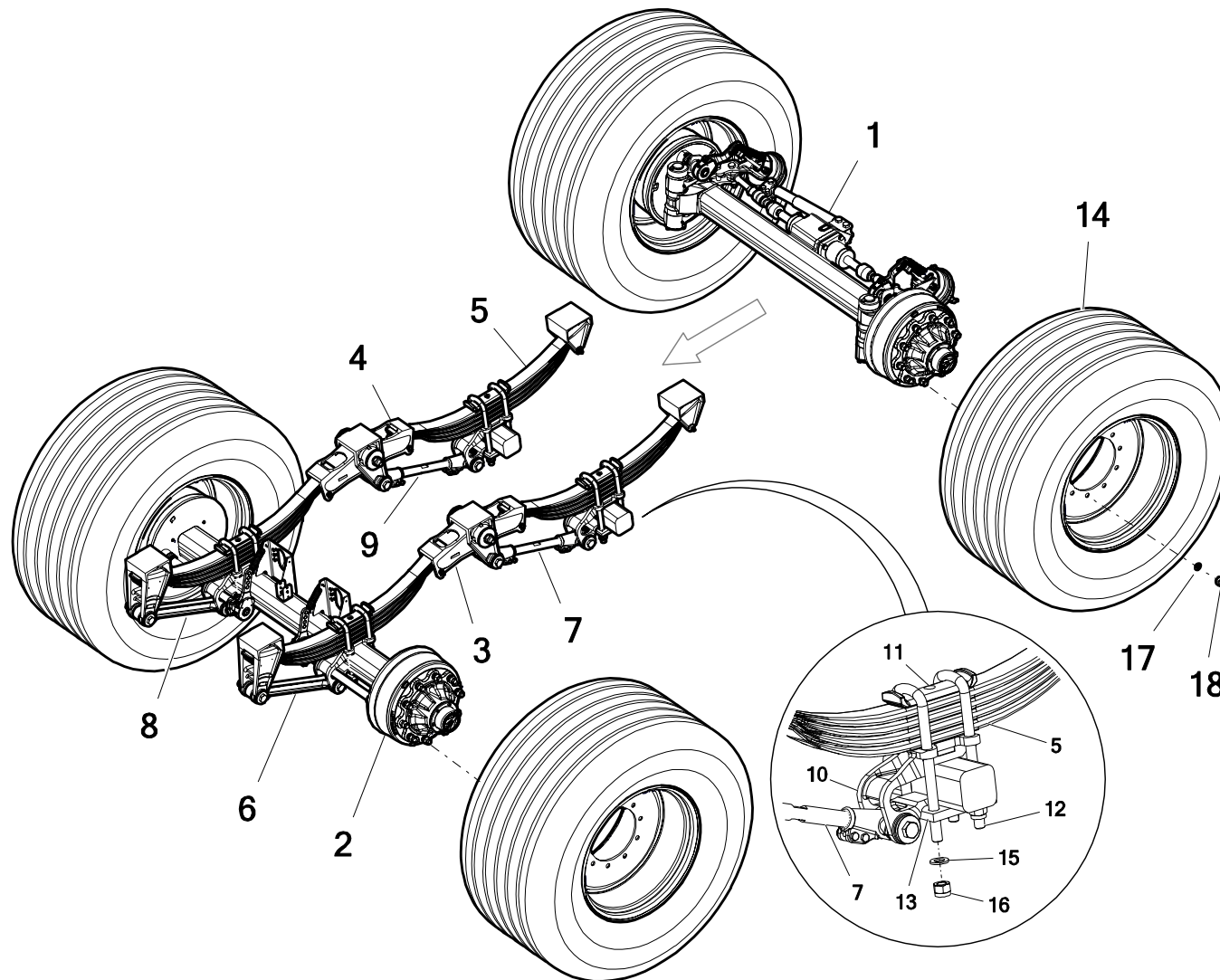
- Tyre 550/60-22.5 16PR BKT V LINE – **POD-KOJ-000115**

- Rim 16.00 x 22.5 225.16.300/225.16.264.6 - **POD-KOJ-000212**

b) Wheel 600/55-22.5 BKT FLOT Rim 225.20.108 - **POD-KOJ-000204**

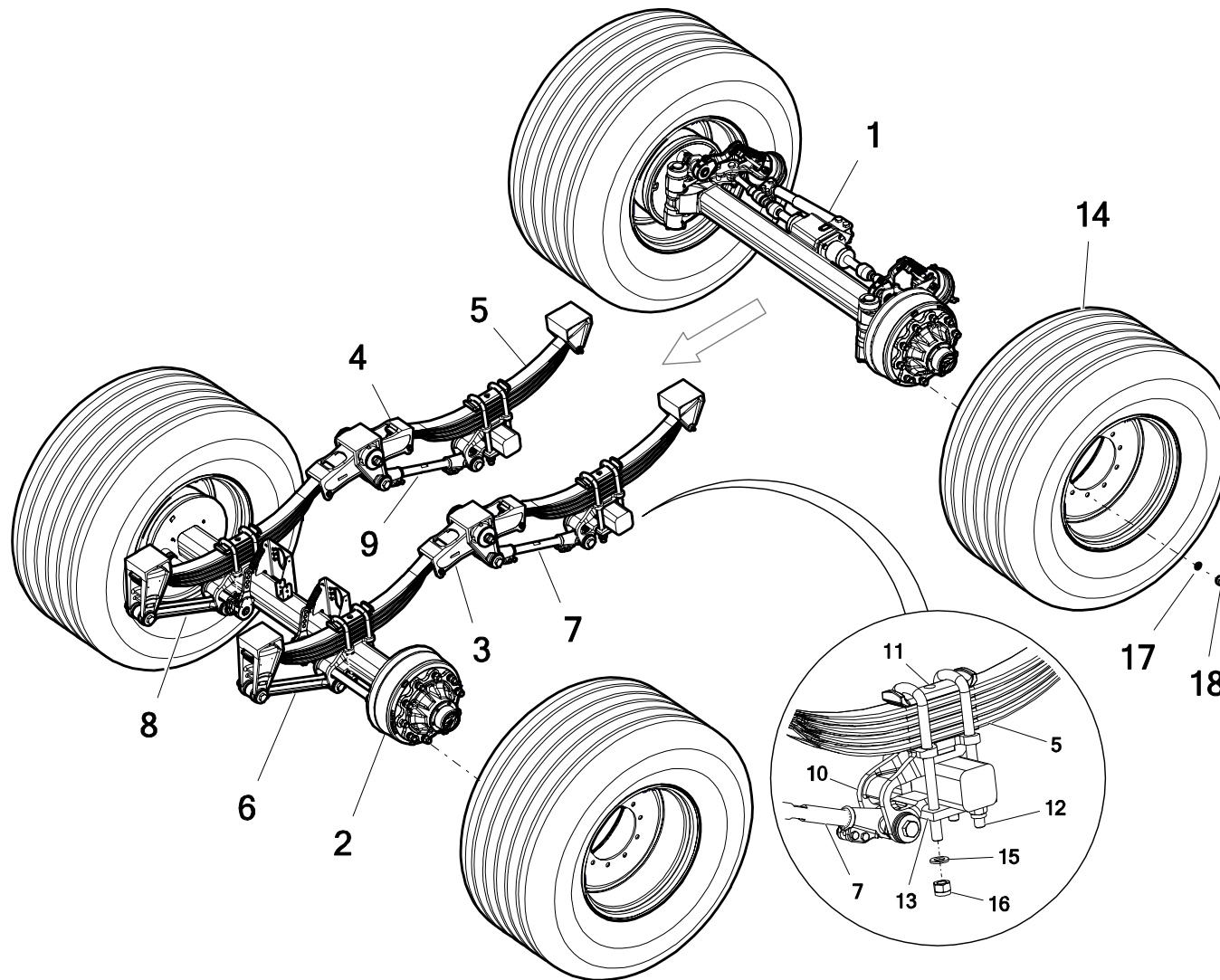
c) Wheels 710/45R22.5 Tianli - **POD-KOJ-000151**

## 27. TANDEM TYPE SUSPENSION WITH A STEERING AXLE - N272/6 (18t) - VIKING



No.	Part or assembly name	Fig. or index No.			
		N272/3	Volume	N272/6	Volume
1	Steering axle C7S3UF1VC021 2000/130/280/335/10xM22/406x120 TDB 361-062-11 ADR	—	—	POD-KOS-000263	1
2	Axle AS3UF1VCN013 2000/130/280/335/10xM22/406x120 TDB 361-061-11 ADR			POD-KOS-000264	1
3	Right-side central rocker for the suspension KE2153B4N1340 4055703			POD-KOS-000431	1
4	Left-side central rocker for the suspension KE2153B4N1340 4055704			POD-KOS-000430	1
5	Suspension spring KE2153B4N1340 935C86010300E			POD-KOS-000432	4
6	Suspension rod KE2153B4N1340 938ABF490 L-490, rigid			POD-KOS-000397	1
7	Suspension rod KE2153B4N1340 938ABR549 L-570, adjustable			POD-KOS-000320	1
8	Suspension rod KE2153B4N1340 938ABR466 L-490, adjustable			POD-KOS-000433	1
9	Suspension rod KE2153B4N1340 938ABF570 L-570, rigid			POD-KOS-000434	1
10	Bar support 4377A303 for the suspension system KE2153B4N1340			POD-KOS-000303	4

## 27. TANDEM TYPE SUSPENSION WITH A STEERING AXLE - N272/6 (18t) - VIKING



No.	Part or assembly name	Fig. or index No.			
		N272/3	Volume	N272/6	Volume
11	Jubilee clip top plate for the suspension system KE2153B4N1340 455T502	—————	—	POD-KOS-000435	4
12	Jubilee clip for the suspension system KE2153B4N1340 422224020			POD-KOS	8
13	Jubilee clip bottom plate for the suspension system KE2153B4N1340 939PBQ13001			POD-KOS-000436	4
14*	Wheel, complete			See description provided in the key below the table	4
15	Round washer, 24 galv. 82005 82005			23P24OC	16
16	Self locking nut M24 galv. 8 82175			POD-ELZ-000399	16
17	Axle pin AS2TG8TGN002 57120B12			POD-KOS-000340	40
18	Axle pin nut AS5VF1ZE003 57322B1 M22x1.5 DIN74361 B			POD-KOS-000136	40

**Key:**

**14\* - Wheel, complete**

a) 550-60/22.5" wheels

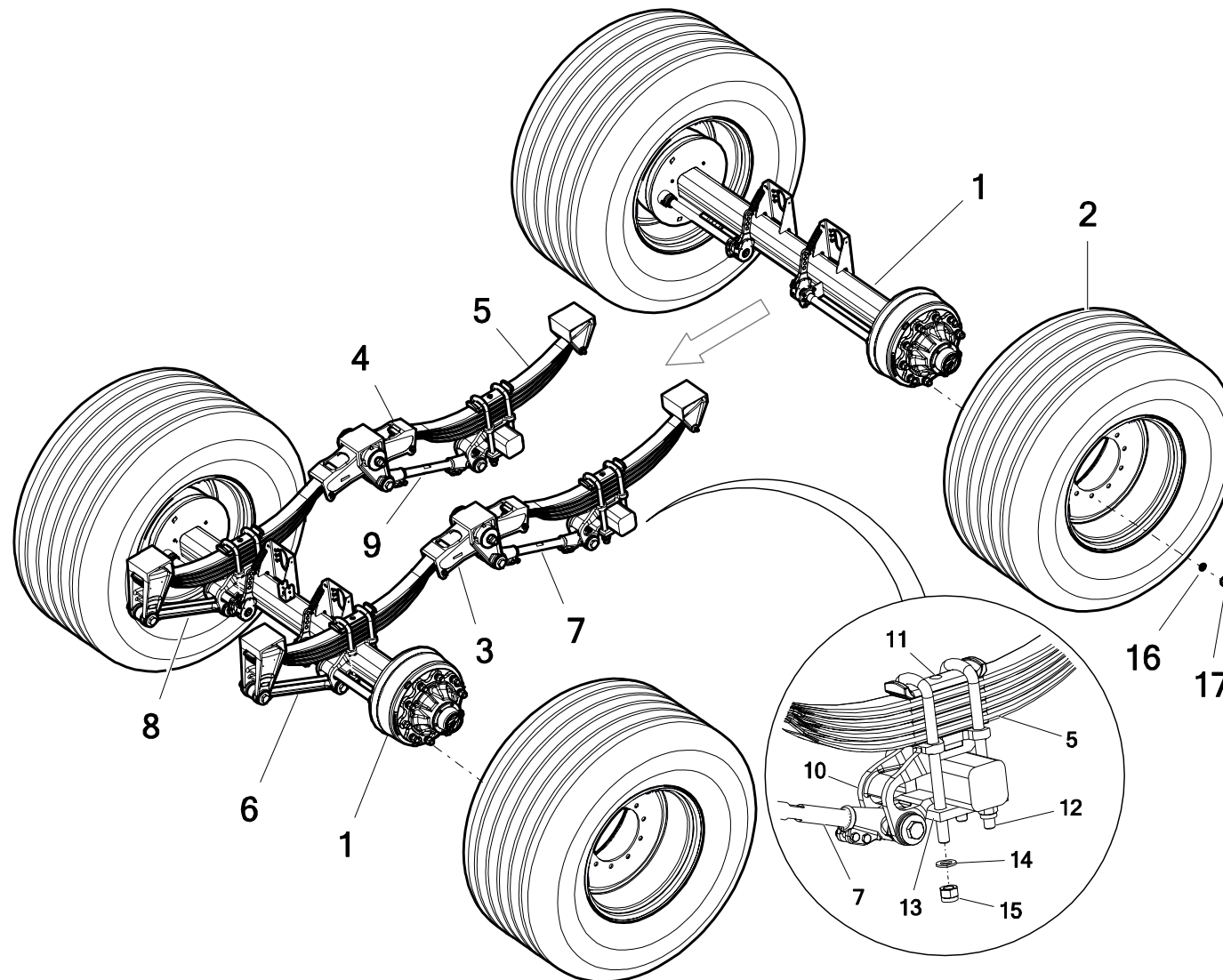
- Tyre 550/60-22.5 16PR BKT V LINE – **POD-KOJ-000115**

- Rim 16.00 x 22.5 225.16.300/225.16.264.6 - **POD-KOJ-000212**

b) Wheel 600/55-22.5 BKT FLOT Rim 225.20.108 - **POD-KOJ-000204**

c) Wheel 650/55 R26.5 A380, rim 265.20.04 Alliance - **POD-KOJ-000151**

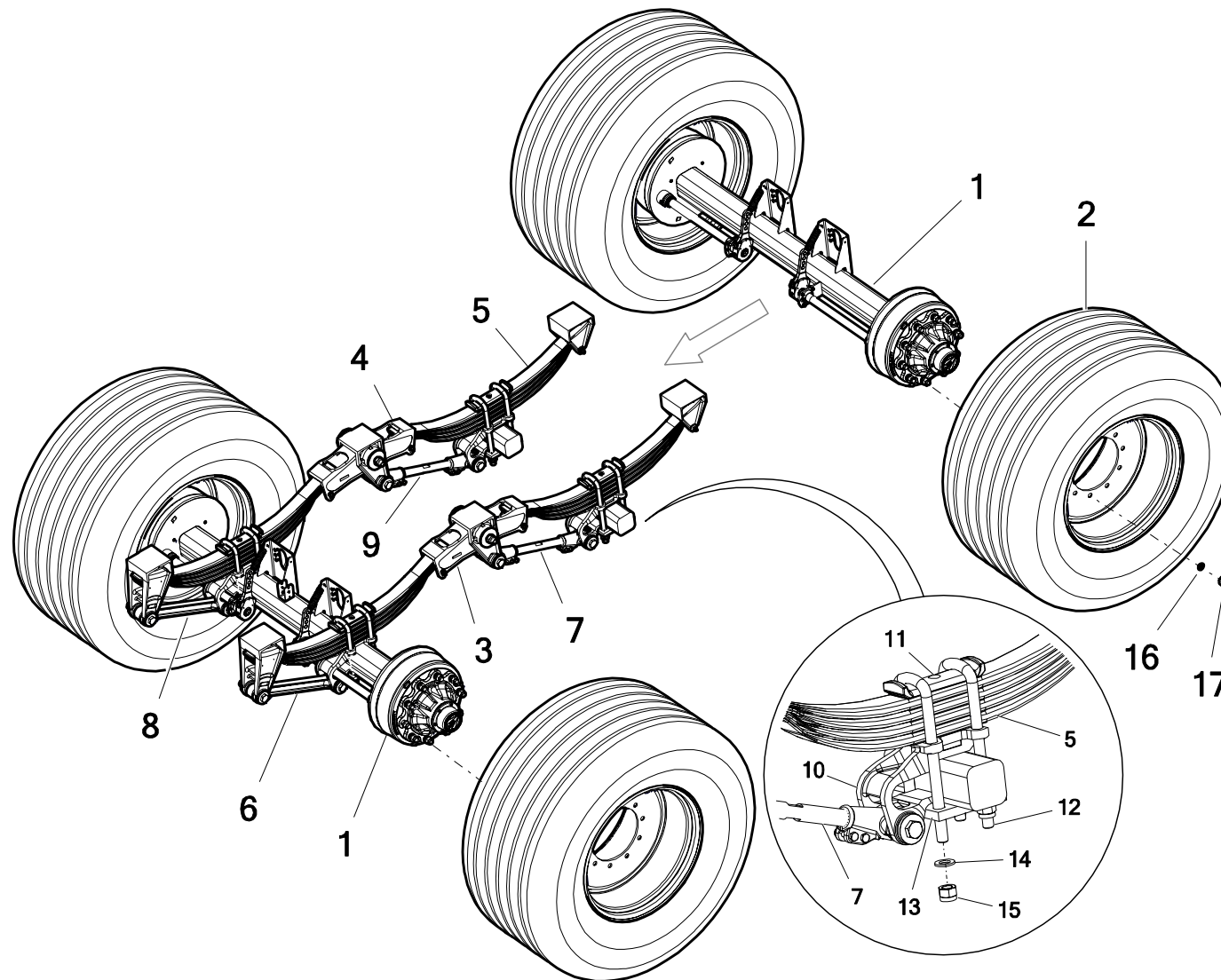
## 28. TANDEM TYPE SUSPENSION - N272/6 (18t) - VIKING



No.	Part or assembly name	Fig. or index No.			
		N272/3	Volume	N272/6	Volume
1	Axle AS3UF1VCN013 2000/130/280/335/10xM22/406x120 TDB 361-061-11 ADR	_____	_____	POD-KOS-000264	2
2*	Wheel, complete			See description provided in the key below the table	4
3	Right-side central rocker for the suspension KE2153B4N1340 4055703			POD-KOS-000431	1
4	Left-side central rocker for the suspension KE2153B4N1340 4055704			POD-KOS-000430	1
5	Suspension spring KE2153B4N1340 935C86010300E			POD-KOS-000432	4
6	Suspension rod KE2153B4N1340 938ABF490 L-490, rigid			POD-KOS-000397	1
7	Suspension rod KE2153B4N1340 938ABR549 L-570, adjustable			POD-KOS-000320	1
8	Suspension rod KE2153B4N1340 938ABR466 L-490, adjustable			POD-KOS-000433	1
9	Suspension rod KE2153B4N1340 938ABF570 L-570, rigid			POD-KOS-000434	1
10	Bar support 4377A303 for the suspension system KE2153B4N1340			POD-KOS-000303	4



## 28. TANDEM TYPE SUSPENSION - N272/6 (18t) - VIKING



No.	Part or assembly name	Fig. or index No.			
		N272/3	Volume	N272/6	Volume
11	Jubilee clip top plate for the suspension system KE2153B4N1340 455T502	—————	—	POD-KOS-000435	4
12	Jubilee clip for the suspension system KE2153B4N1340 422224020			POD-KOS	8
13	Jubilee clip bottom plate for the suspension system KE2153B4N1340 939PBQ13001			POD-KOS-000436	4
14	Round washer, 24 galv. 82005 82005			23P24OC	16
15	Self locking nut M24 galv. 8 82175			POD-ELZ-000399	16
16	Axle pin AS2TG8TGN002 57120B12			POD-KOS-000340	32
17	Axle pin nut AS5VF1ZE003 57322B1 M22 x 1.5 DIN74361 B			POD-KOS-000136	32

**Key:**

**2\* - Wheel, complete**

a) Wheels 550/60-22.5 - featured in the **N272/3 (14t) and N272/6 (18t) spreaders**

- Tyre 550/60-22.5 16PR BKT V LINE – **POD-KOJ-000115**

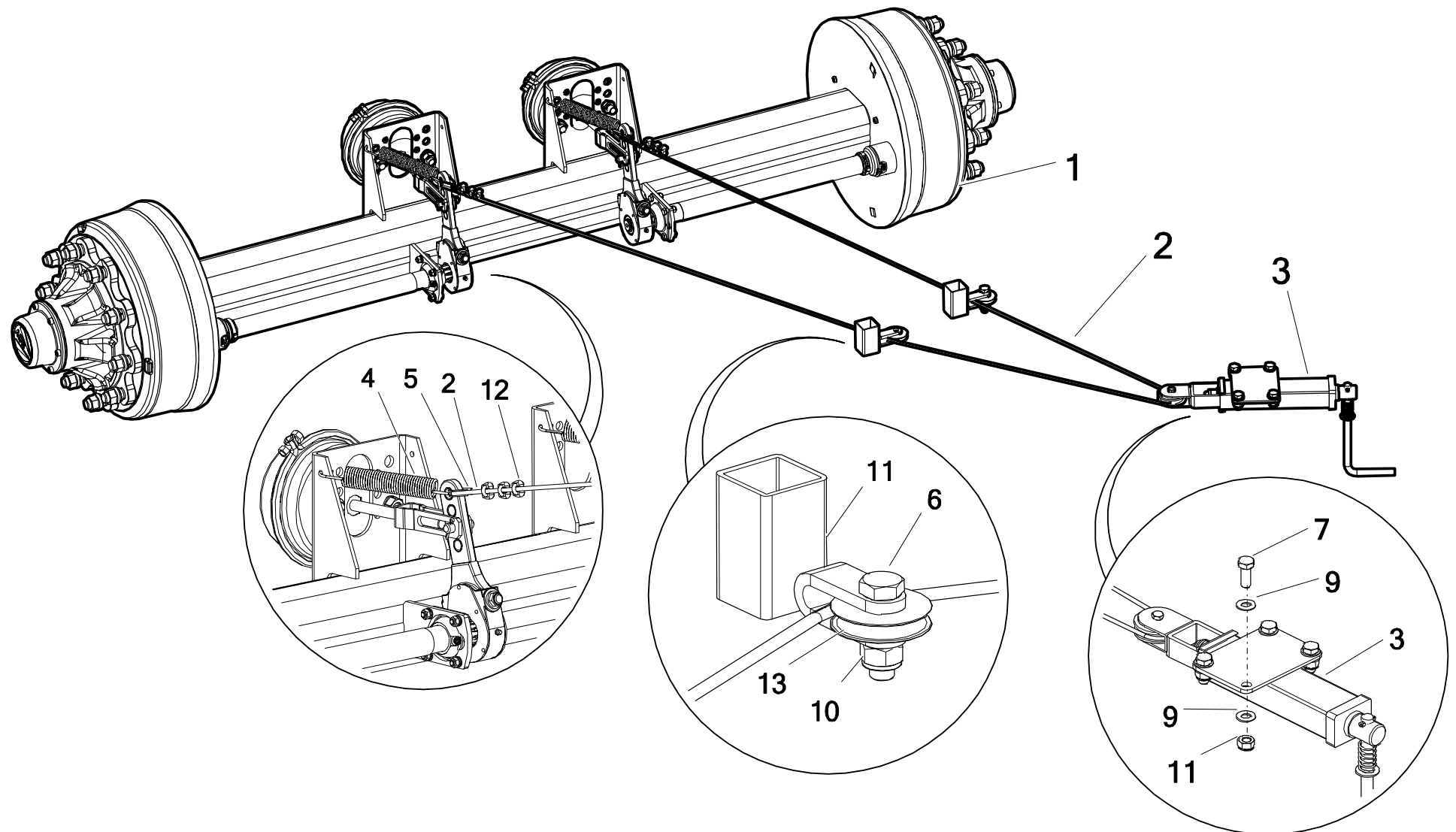
- Rim 16.00 x 22.5 225.16.300/225.16.264.6 - **POD-KOJ-000212**

b) Wheel 600/55-22.5 BKT FLOT, rim 225.20.108 - **POD-KOJ-000204** - featured in the **N272/3 (14t) and N272/6 (18t) spreaders**

c) Wheel 650/55 R26.5 A380, rim 265.20.04 Alliance - **POD-KOJ-000151** - featured in the **N272/6 (18t) spreader**

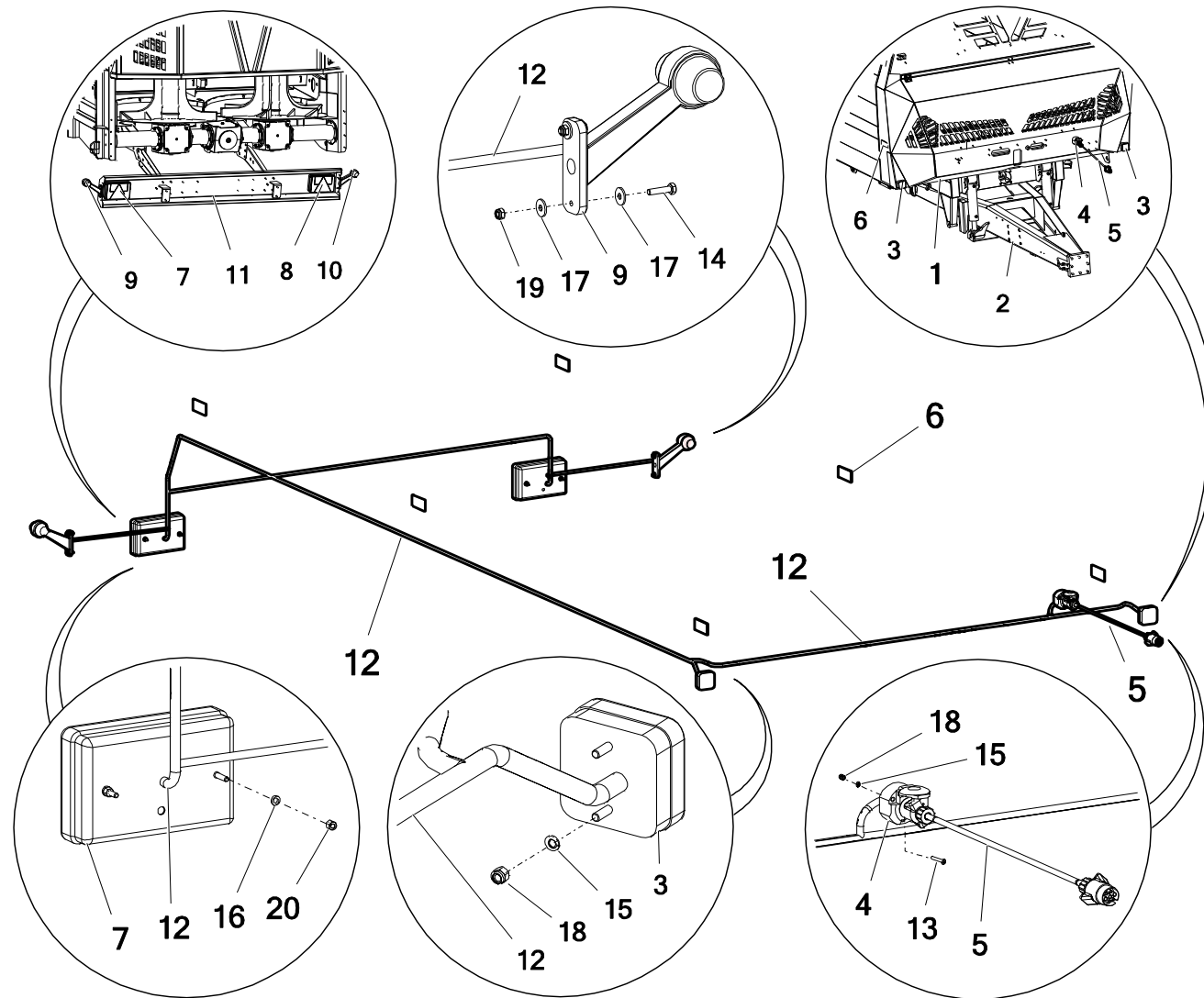
d) Wheels 710/45R22.5 Tianli - **POD-KOJ-000151** - featured in the **N272/3 (14t) spreader**

## 29. HANDBRAKE, COMPLETE



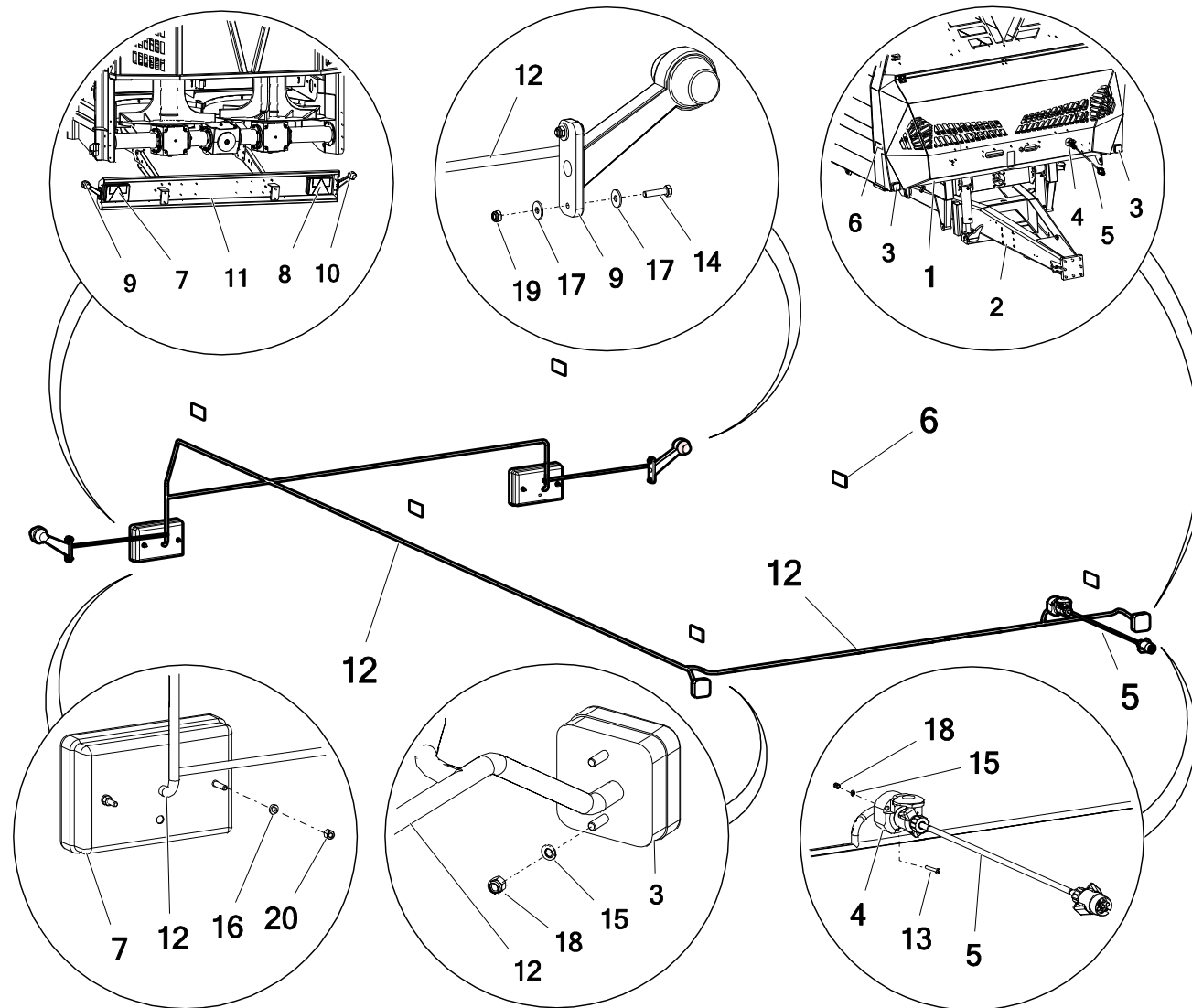
No.	Part or assembly name	Fig. or index No.			
		N272/3	Volume	N272/6	Volume
1	Universal axle	N272-3 02.04.00.1	1	N272-3 02.04.00.1	1
2	Steel cable 6 mm	23LS6	5.5 m	23LS6	5.5 m
3	Brake tension	N272 01.04.00.1	1	N272 01.04.00.1	1
4	Tension spring 3/25/120/25 galv. (maz-4205)	POD-SPR-000047	2	POD-SPR-000047	2
5	Rope thimble 6 mm	POD-ELZ-000365	2	POD-ELZ-000365	2
6	Bolt 12 x 30 galv. 8.8 82105 82105	23S12/30OC 8.8	4	23S12/30OC 8.8	4
7	Round washer 12 galv. 82005	23P12OC	8	23P12OC	8
8	Self-locking nut M12 galv. 82175 8 82175 8	23NS12OC	4	23NS12OC	4
9	Cable clamp 6 mm	23ZL6	6	23ZL6	6

### 30. ELECTRICAL INSTALLATION



No.	Part or assembly name	Fig. or index No.			
		N272/3	Volume	N272/6	Volume
1	Body	N272-3 03.01.00.3	1	N272-3 03.01.00.3	1
2	Hitch (Viking)	N272-3 01.07.00	1	N272-3 01.07.00	1
3	Bulb marker lamp HOR23 LO093	POD-ELK-000011-1	2	POD-ELK-000011-1	2
4*	7-pin socket	POD-ELK-000327	1	POD-ELK-000327	1
5*	Connecting cable harness with plugs	POD-ELK-000327	1	POD-ELK-000327	1
6	Self-adhesive rectangular orange reflector HOR-8 UO030 (E20 029650)	POD-OGL-000019-1	6	POD-OGL-000019-1	6
7	Bulb lamp cluster HOR45 LZT478, right side	POD-ELK-000013-1	1	POD-ELK-000013-1	1
8	Bulb lamp cluster HOR45 LZT471, left side	POD-ELK-000012-1	1	POD-ELK-000012-1	1
9	Bulb marker lamp on an extension arm HOR50 LO356/L, left side	POD-ELK-000118	1	POD-ELK-000118	1
10	Bulb marker lamp on an extension arm HOR50 LO356/P, right side	POD-ELK-000117	1	POD-ELK-000117	1
11	Light bar, complete	N272 12.00.00	1	N272 12.00.00	1
12	Electric cable harness for the N272/3 spreader - Viking	POD-ELK-000327	1	POD-ELK-000327	1
13	Screw 5 x 35 galv.	23W5/35	3	23W5/35	3
14	Bolt 6 x 25 galv. 8.8 82105	23S6/25OC 105	4	23S6/25OC 105	4

### 30. ELECTRICAL INSTALLATION



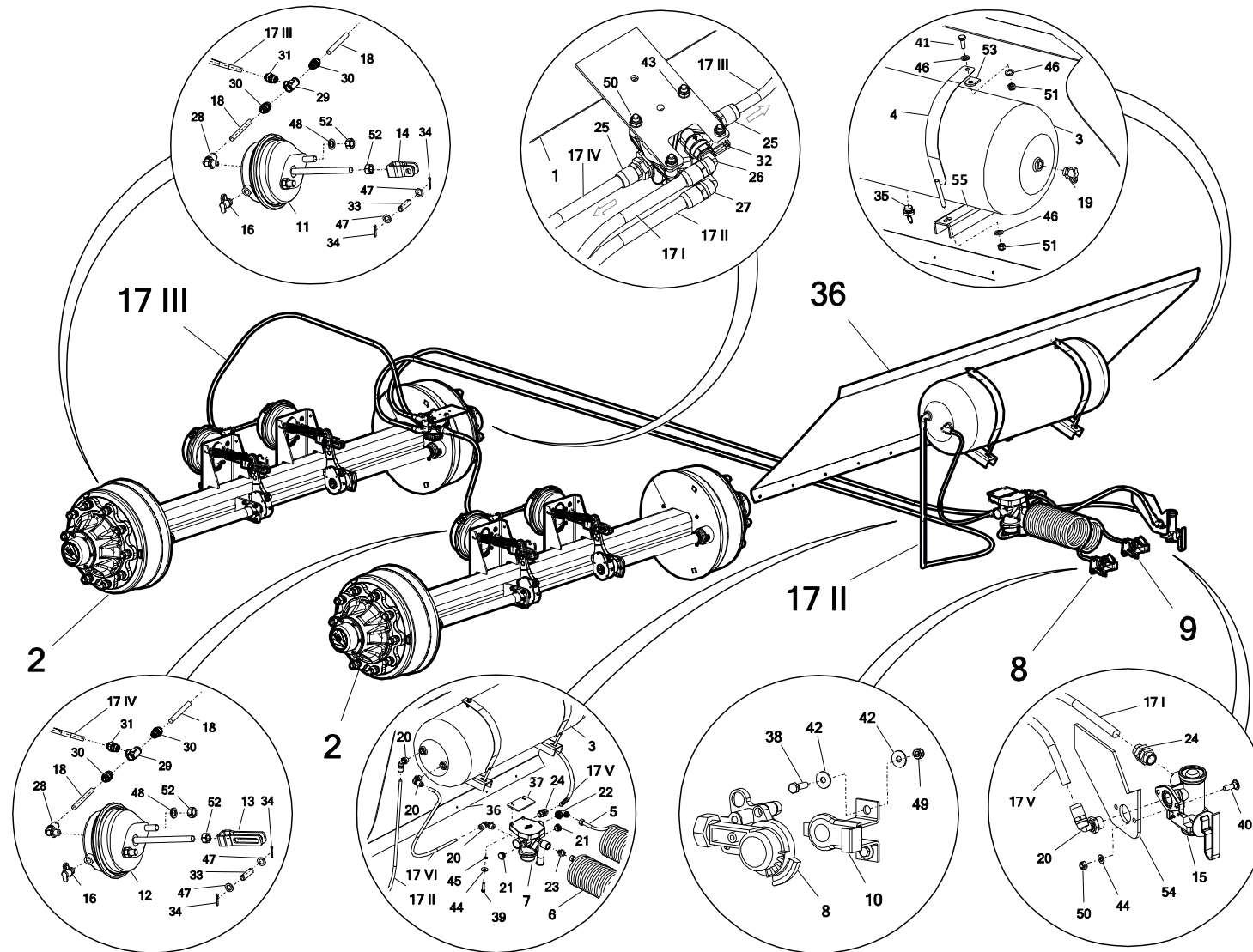
No.	Part or assembly name	Fig. or index No.			
		N272/1	Volume	N272/2	Volume
15	Spring washer 5.1 galv. 82008 82008	23P5,1SPOC	7	23P5,1SPOC	7
16	Round washer 6 galv. 82005 82005	23P6OOC	4	23P6OOC	4
17	Round washer 6 galv. coated 82030	23P6OC030	4	23P6OC030	4
18	Self-locking nut M5 galv. 82175 8	POD-ELZ-000471	7	POD-ELZ-000471	7
19	Self-locking nut M6 galv. 82175 8 82175 8	23NS6OC	4	23NS6OC	4
20	Nut M6 galv. 82144 5 82144 5	23N6OC	4	23N6OC	4

**Key:**

4\*, 5\* – included in: Electric cable harness for the N272/3 spreader - Viking - **POD-ELK-000327**



### 31. PNEUMATIC BRAKING SYSTEM

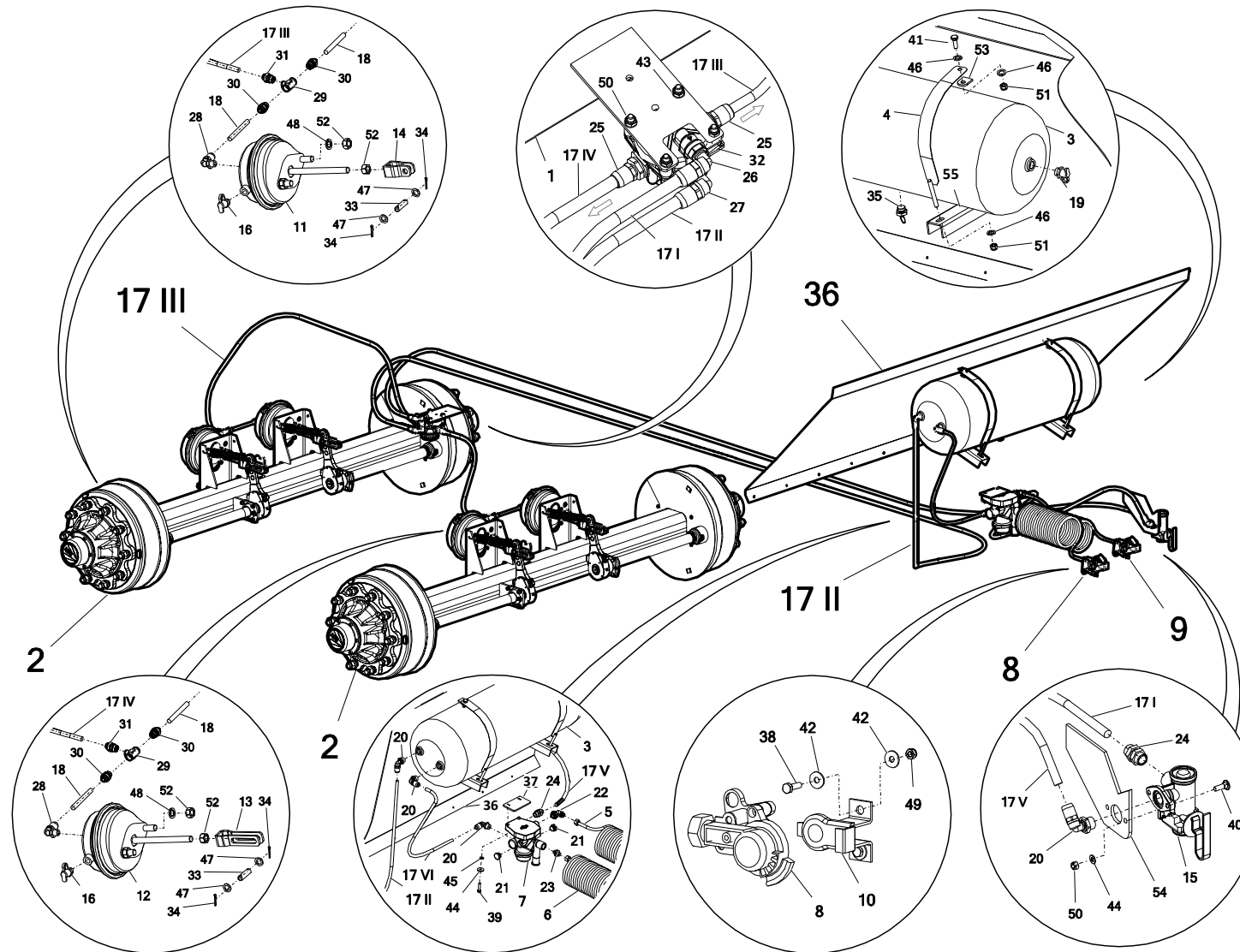


No.	Part or assembly name	Fig. or index No.			
		N272/3	Volume	N272/6	Volume
1	Bottom frame (VIKING)	N272-3 01.00.00.3	1	N272-6 01.00.00.2	1
2	Universal axis, complete N272-3 02.04.00.1	N272-3 02.04.00.1	2	—————	—
	Axle AS3UF1VCN013 2000/130/280/335/10xM22/406x120 TDB 361-061-11 ADR	—————	—	POD-KOS-000264	2
3	Air tank 60 l, diam. 276 KNORR	POD-OGL-000632	1	POD-OGL-000632	1
4	Tank clamping ring N274 01.05.00	N274 01.05.00	2	N274 01.05.00	2
5*	M16 spiral pneumatic hose, yellow, MA	POD-OGL-001098	1	POD-OGL-001098	1
6*	M16 spiral pneumatic hose, red, MAR		1		1
7*	Trailer brake valve KNORR BREMSE		1		1
8*	HALDEX conduit connector, yellow, front		1		1
9*	HALDEX conduit connector, red, front		1		1
10*	Clamping ring for small heads		2		2
11	Membrane cylinder 24 + short forks KNORR	POD-OGL-000553	2	POD-OGL-000553	2
12	Membrane cylinder 24 + long forks KNORR	POD-OGL-000637	2	POD-OGL-000637	2
13	Long forks for the membrane cylinder	POD-OGL-000553	2	POD-OGL-000553	2

**Key:**

**5\*- 10\*** - included in: KNORR braking system type N UNIVERSAL, manual adjustment, VALVES without rear connections - **POD-OGL-001098**

### 31. PNEUMATIC BRAKING SYSTEM

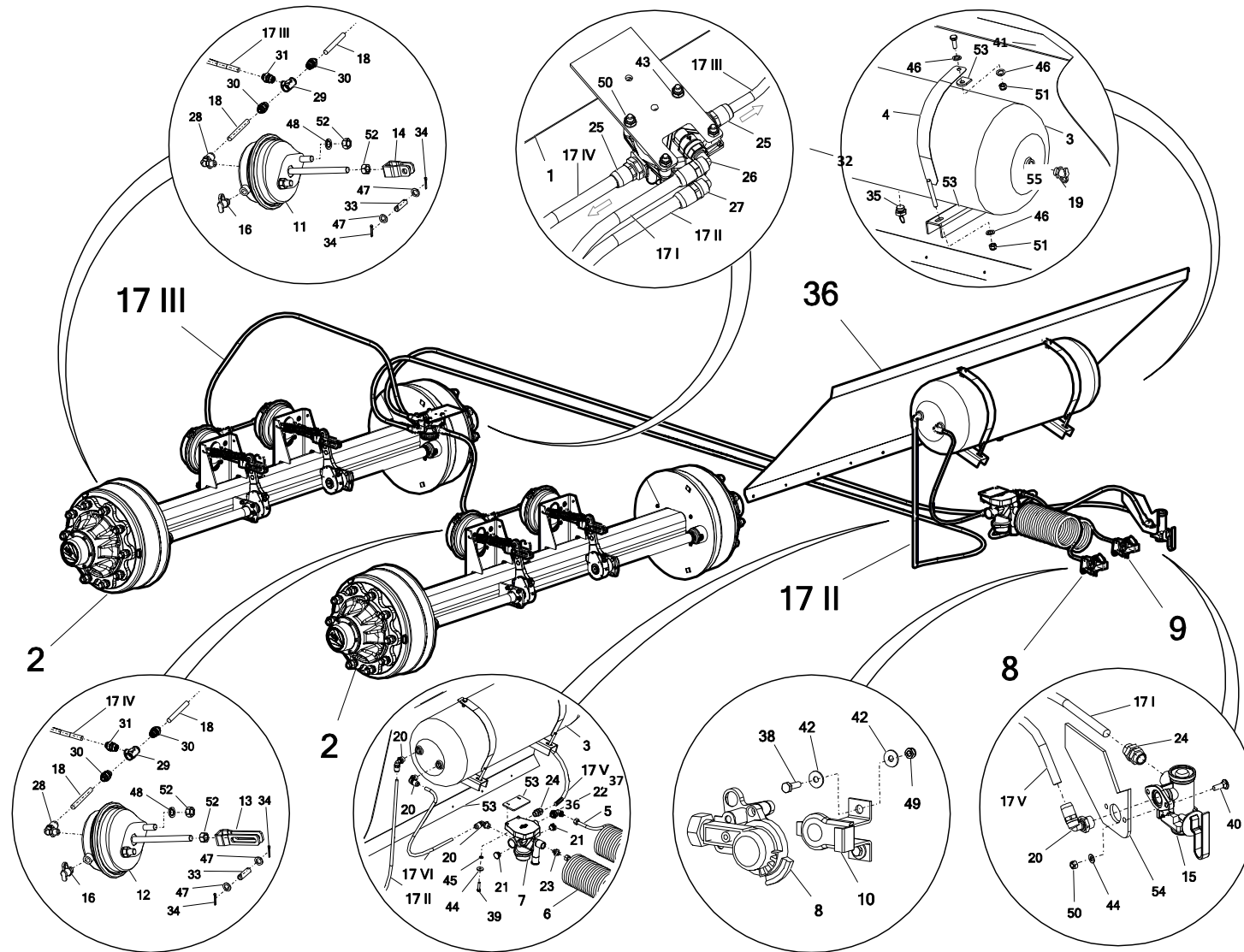


No.	Part or assembly name	Fig. or index No.			
		N272/3	Volume	N272/6	Volume
14	Short forks for membrane cylinder	POD-OGL-000637	2	POD-OGL-000637	2
15	3-position manual braking-force regulator Haldex	POD-OGL-000564	1	POD-OGL-000564	1
16*	Pneumatic control connector M16 x 1.5	POD-OGL-001115	4	POD-OGL-001115	4
17 I	Tecalan tube DN15 x 1.5 (10 m)	POD-TSZ-000051	3.2 m	POD-TSZ-000051	3.2 m
17 II			3.7 m		3.7 m
17 III			1.5 m		1.5 m
17 IV			0.3 m		0.3 m
17 V			0.8 m		0.8 m
17 VI			0.5 m		0.5 m
18	Tecalan tube DN12 x 1.5	POD-TSZ-000050	0.5 m	POD-TSZ-000050	0.5 m
19*	Pneumatic control connector M22 x 1.5	POD-OGL-001115	1	POD-OGL-001115	1
20*	Pneumatic elbow M22-12 x 1.5 TK12		2		2
21*	Pneumatic plug M22		2		2
22*	Pneumatic elbow M22-18 x 1.5		1		1
23*	Straight pneumatic connector M16-M16		1		1
24*	Bulkhead reducer M22 x 1.5-M22 x 1.5, int. M16 x 1.5		1		1

**Key:**

**16\*, 19\* - 24\*** - included in: KNORR brake system for the N272/3 spreader, CONNECTORS - **POD-OGL-001115**

### 31. PNEUMATIC BRAKING SYSTEM



No.	Part or assembly name	Fig. or index No.			
		N272/3	Volume	N272/6	Volume
25*	Straight connector 22 x 1.5 / diam. 15	POD-OGL-001115	2	POD-OGL-001115	2
26*	Pneumatic elbow M16 TK15		1		1
27*	Pneumatic elbow M22-15 x 1.5 TK15		1		1
28*	Pneumatic elbow M16-12 x 1.5		4		4
29*	T-piece M16 x 3		2		2
30*	Straight pneumatic connector M16 TK12		4		4
31*	Straight pneumatic connector M16 TK15		2		
32	Relay valve KNORR	POD-OGL-000850	1	POD-OGL-000850	1
33	Cylinder pin	POD-OGL-000637	4	POD-OGL-000637	4
34	Cotter pin Ø4 x 32		8		
35*	Drain valve M22 x 1.5 KNORR	POD-OGL-001114	1	POD-OGL-001114	1
36*	Tensioner guard	N272-3 03.01.13	1	N272-3 03.01.13	1
37*	Air valve mounting	N272-3 03.01.120.1	1	N272-3 03.01.120.1	1
38	Bolt 6 x 20 galv. 8.8 82105 82105 8.8	23S6/20	4	23S6/20	4
39	Bolt 8 x 35 galv. 8.8 82105 82105	23S8/35OC 8.8	2	23S8/35OC 8.8	2

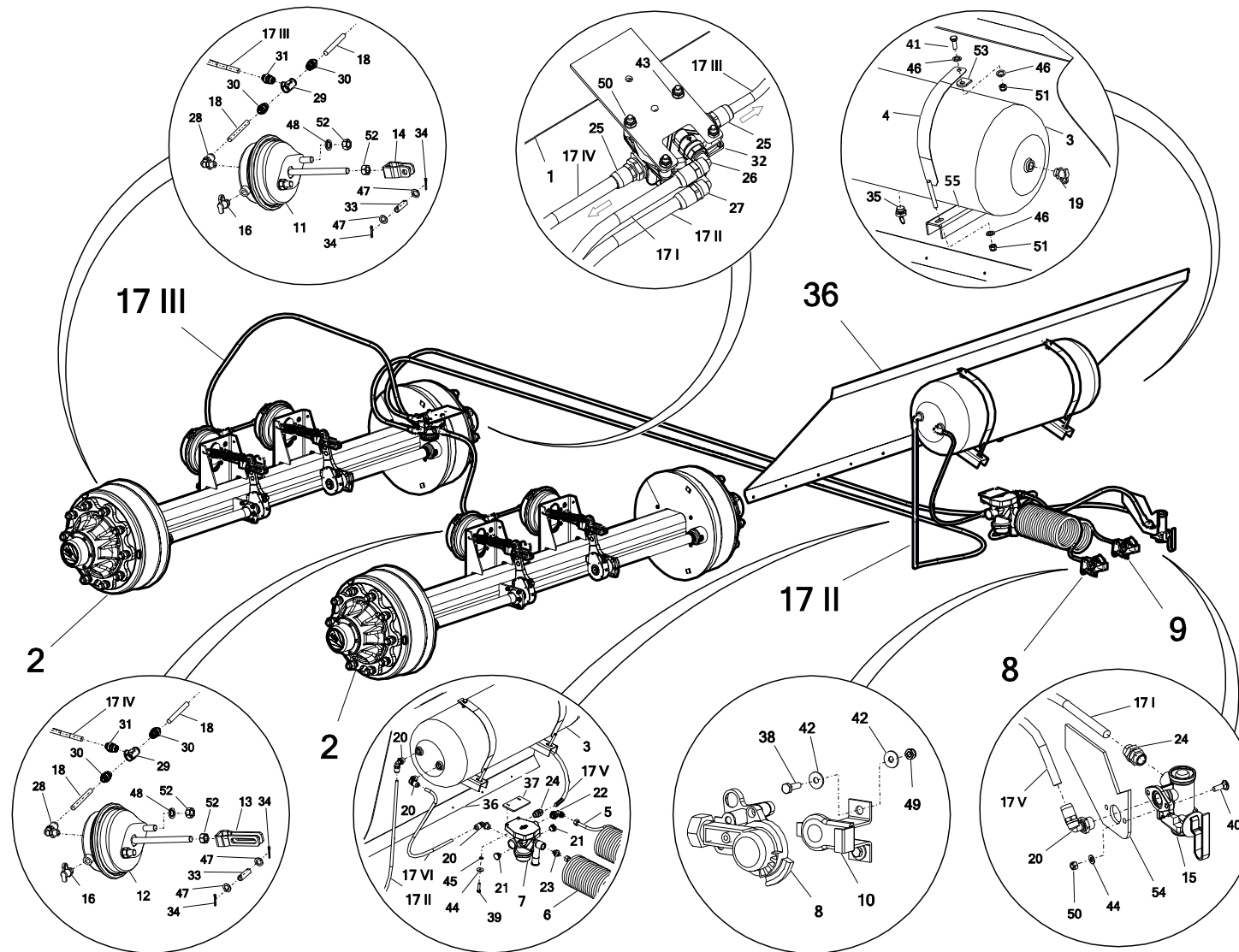
**Key:**

**25\*- 31\*** - included in: KNORR brake system for the N272/3 spreader, CONNECTORS - **POD-OGL-001115**

**35\*** - included in: KNORR brake system for the N272/1-2 spreader, CONNECTORS - **POD-OGL-001114**

**36\*, 37\*** – included in: Shell - **N272-3 03.01.00.3**

### 31. PNEUMATIC BRAKING SYSTEM



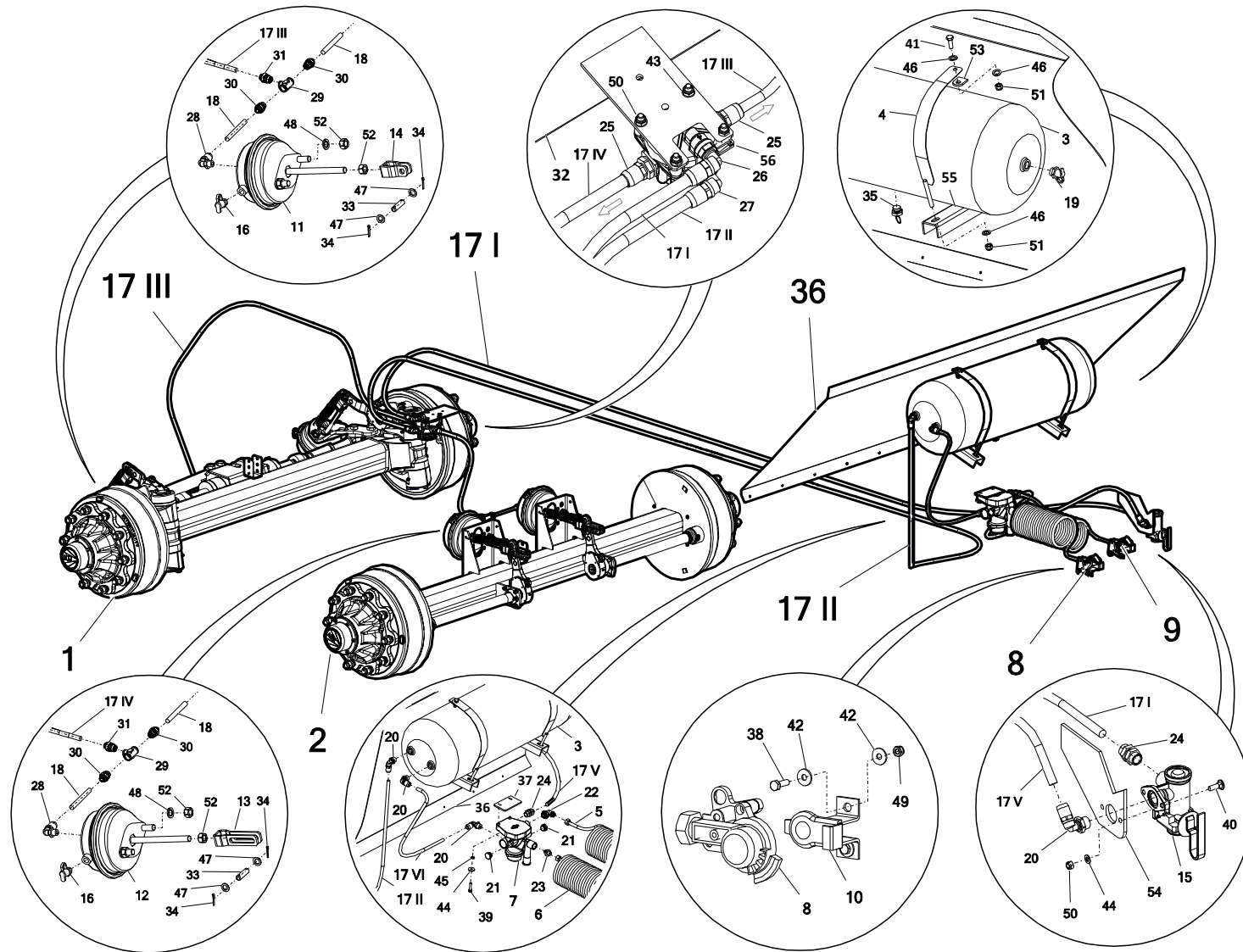
No.	Part or assembly name	Fig. or index No.			
		N272/3	Volume	N272/6	Volume
40	Bolt 8 x 30 galv. 8.8 82105 82105	23S8/30OC 8.8	2	23S8/30OC 8.8	2
41	Bolt 10 x 30 galv. 8.8 82105 82105	23S10/30OC 8.8	2	23S10/30OC 8.8	2
42	Round washer 6 galv. coated 82030	23P6OC030	8	23P6OC030	8
43	Round washer 8 galv. 82005 82005	23P8OOC	4	23P8OOC	4
44	Round washer 8 galv. coated 82019	23P8 82019OC	4	23P8 82019OC	4
45	Spring washer 8.2 galv. 82008 82008	23P8SPOC	2	23P8SPOC	2
46	Round washer 30 galv. 82005 82005	23P10 82005	6	23P10 82005	6
47	Round washer 14 galv. 82005 82005	23P14OC	8	23P14OC	8
48	Spring washer 16.3 galv. 82008 82008	23P16SP	8	23P16SP	8
49	Self-locking nut M6 galv. 82175 8 82175 8	23NS6OC	4	23NS6OC	4
50	Self-locking nut M8 galv. 82175 8 82175 8	23NS8OC	8	23NS8OC	8
51	Self-locking nut M10 galv. 82175 8 82175 8	23NS10OC	4	23NS10OC	4
52	Nut M16 galv. 8.8 82144 5 82144 5	23N16OC	12	23N16OC	12
53*	Clamping ring mounting eye	N274 01.01.79	2	N274 01.01.79	2
54*	Distributor lever mounting	N272-3 03.01.121	1	N272-3 03.01.121	1
55*	Tank support	N274 01.01.65	2	N274 01.01.65	2

**Key:**

**36\*, 37\*, 53\*, 54\*, 55\*** - included in: Shell - **N272-3 03.01.00.3**



## 32. PNEUMATIC BRAKING SYSTEM – STEERING AXLE

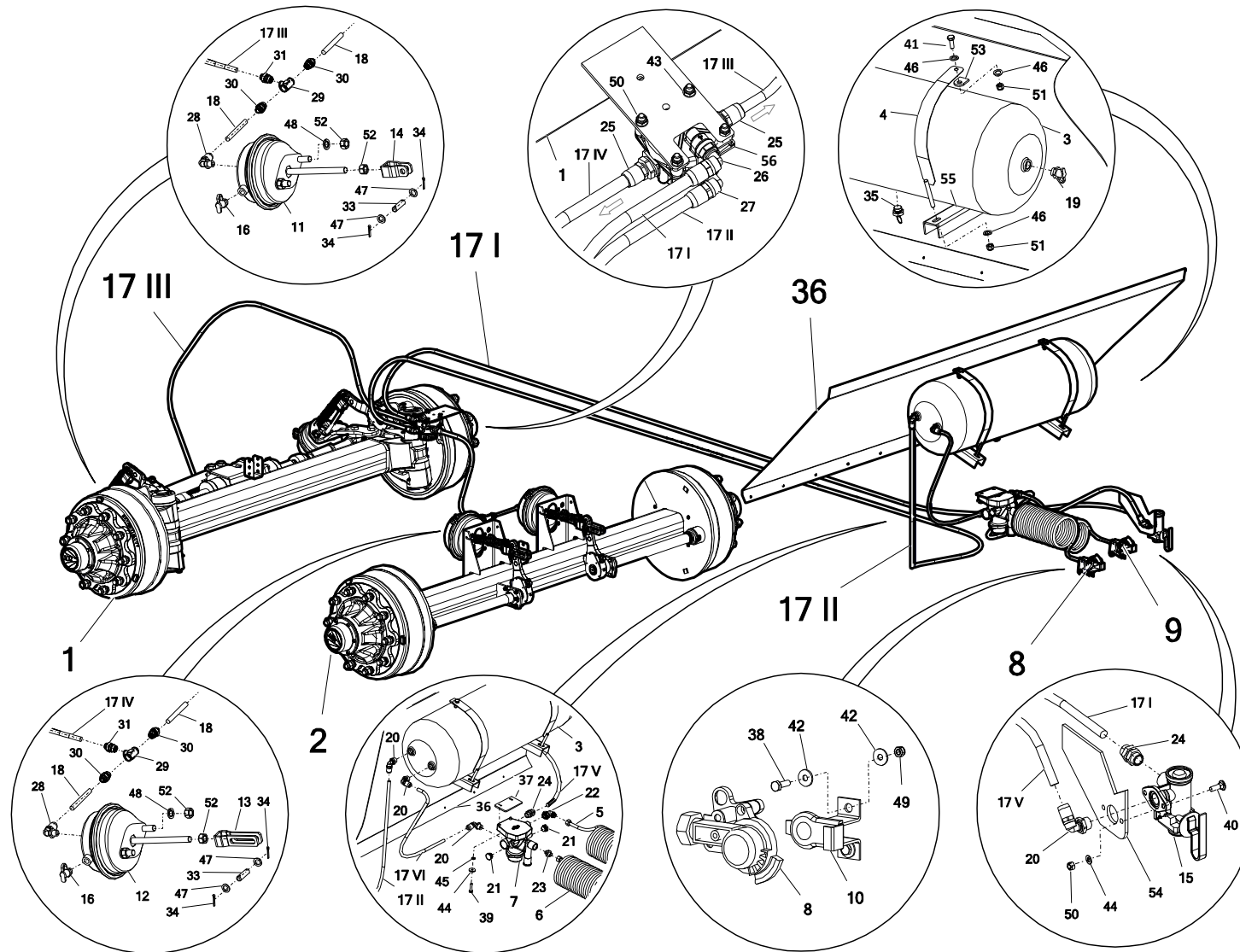


No.	Part or assembly name	Fig. or index No.			
		N272/3	Volume	N272/6	Volume
1	Steering axle C7S3UF1VC021 2000/130/280/335/10xM22/406x120 TDB 361-062-11 ADR	—————	—	POD-KOS-000263	1
2	Axle AS3UF1VCN013 2000/130/280/335/10xM22/406x120 TDB 361-061-11 ADR			POD-KOS-000264	1
3	Air tank 60 l, diam. 276 KNORR			POD-OGL-000632	1
4	Tank clamping ring N274 01.05.00			N274 01.05.00	2
5*	M16 spiral pneumatic hose, yellow, MA			POD-OGL-001098	1
6*	M16 spiral pneumatic hose, red, MAR				1
7*	Trailer brake valve KNORR BREMSE				1
8*	HALDEX conduit connector, yellow, front				1
9*	HALDEX conduit connector, red, front				1
10*	Clamping ring for small heads				2
11	Membrane cylinder 24 + short forks KNORR			POD-OGL-000553	2

**Key:**

**5\*- 10\*** - included in: KNORR braking system type N UNIVERSAL, manual adjustment, VALVES without rear connections - **POD-OGL-001098**

## 32. PNEUMATIC BRAKING SYSTEM – STEERING AXLE

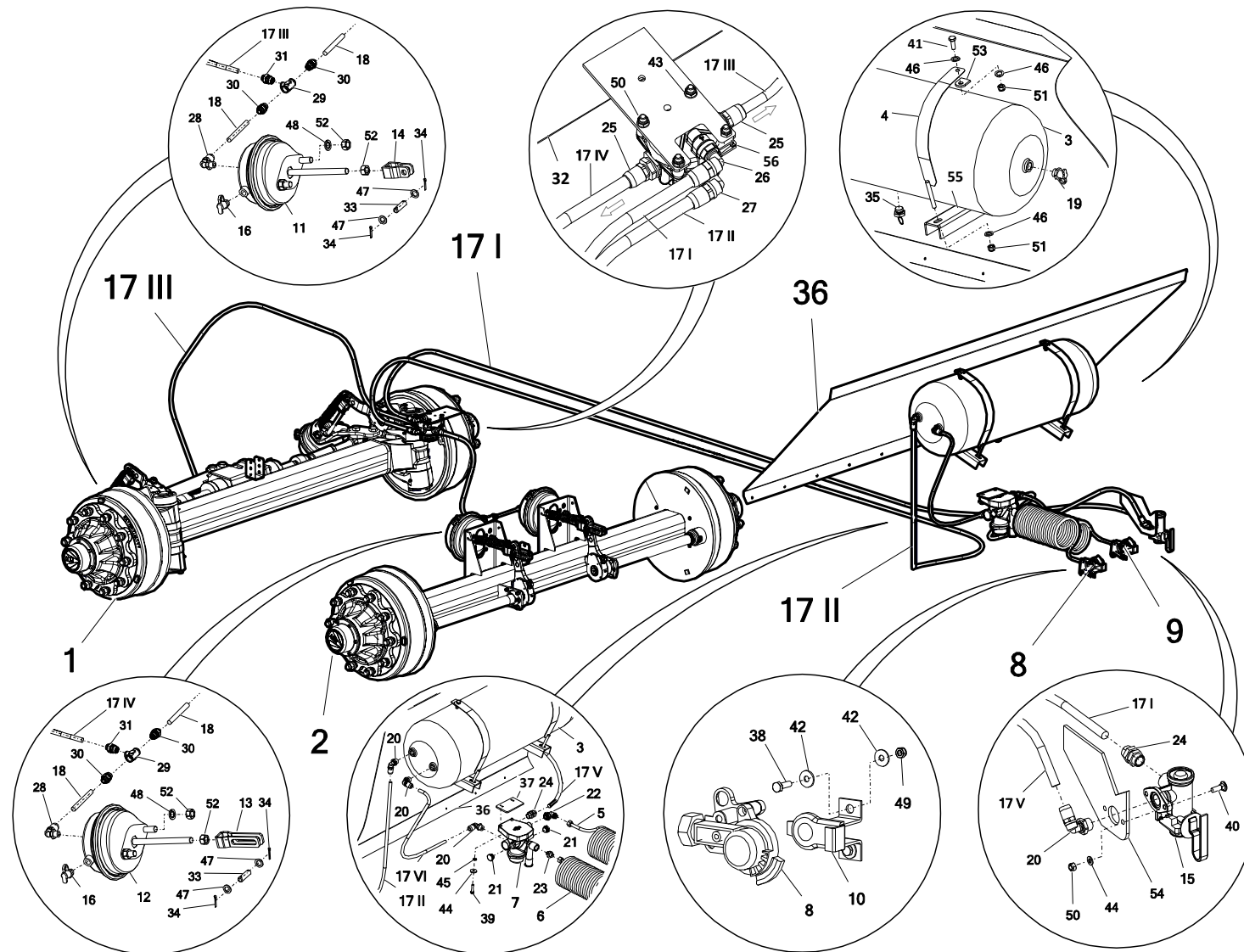


No.	Part or assembly name	Fig. or index No.					
		N272/3	Volume	N272/6	Volume		
12	Membrane cylinder 24 + long forks KNORR	—————	——	POD-OGL-000637	2		
13	Long forks for membrane cylinder			POD-OGL-000553	2		
14	Short forks for membrane cylinder			POD-OGL-000637	2		
15	3-position manual braking-force regulator Haldex			POD-OGL-000564	1		
16*	Pneumatic control connector M16 x 1.5			POD-OGL-001115	4		
17 I	Tecalan tube DN15 x 1.5 (10 m)			—————	——	POD-TSZ-000051	3.2 m
17 II							3.7 m
17 III							1.5 m
17 IV							0.3 m
17 V							0.8 m
17 VI							0.5 m
18	Tecalan tube DN12 x 1.5			POD-TSZ-000050	0.5 m		
19*	Pneumatic control connector M22 x 1.5			POD-OGL-001115	1		
20*	Pneumatic elbow M22-12 x 1.5 TK12	2					

**Key:**

**16\*, 19\*- 21\*** - included in: KNORR brake system for the N272/3 spreader, CONNECTORS - **POD-OGL-001115**

## 32. PNEUMATIC BRAKING SYSTEM – STEERING AXLE

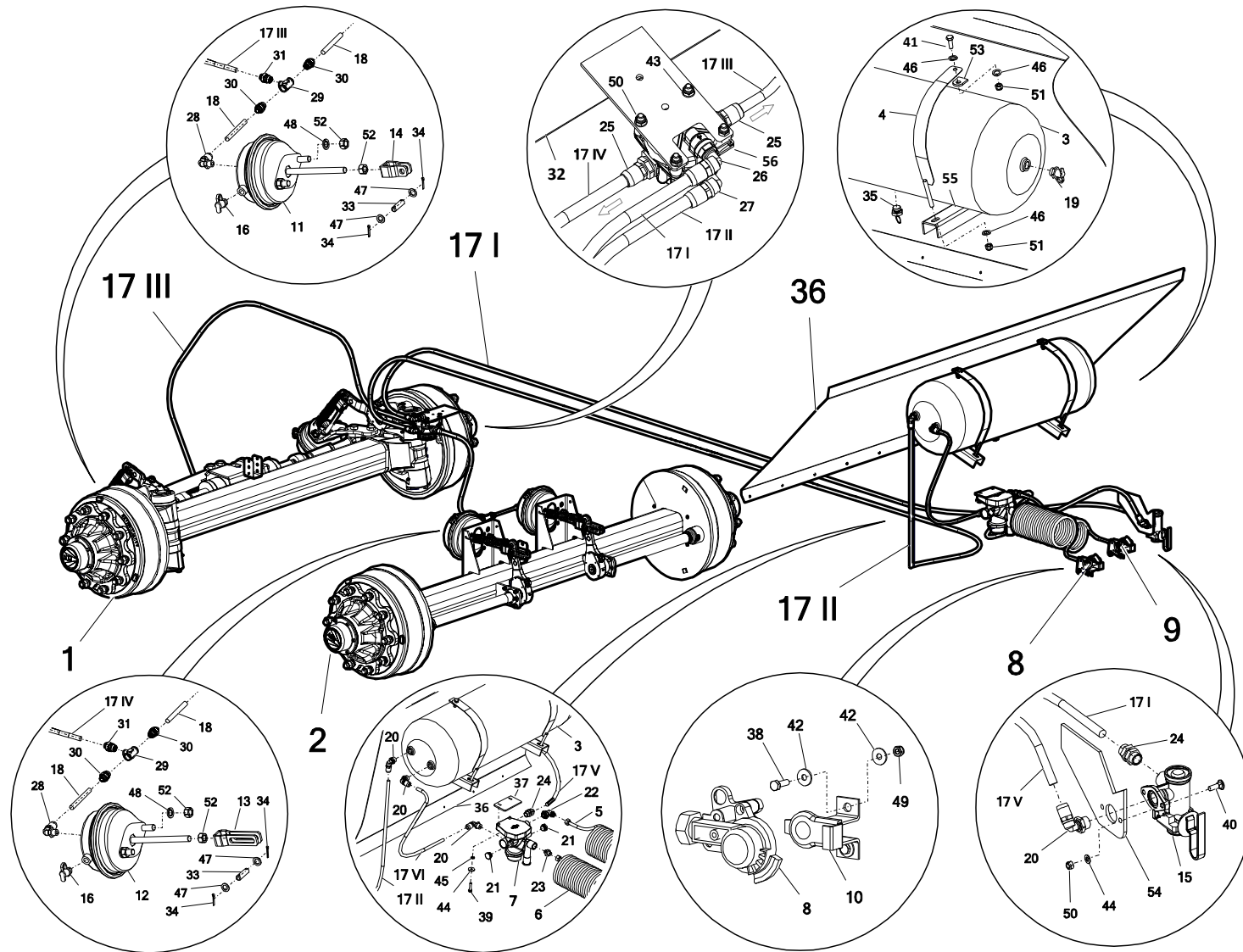


No.	Part or assembly name	Fig. or index No.			
		N272/3	Volume	N272/6	Volume
22*	Pneumatic elbow M22-18 x 1.5	—————	—	POD-OGL-001115	1
23*	Straight pneumatic connector M16-M16				1
24*	Bulkhead reducer M22 x 1.5-M22 x 1.5, int. M16 x 1.5				1
25*	Straight connector 22 x 1.5 / diam. 15				2
26*	Pneumatic elbow M16 TK15				1
27*	Pneumatic elbow M22-15 x 1.5 TK15				1
28*	Pneumatic elbow M16-12 x 1.5				4
29*	T-piece M16 x 3				2
30*	Straight pneumatic connector M16 TK12				4
31*	Straight pneumatic connector M16 TK15				2
32	Bottom frame, 18t - steering axle (VIKING)				N272-6 01.00.00.2S
33	Cylinder pin			POD-OGL-000637	4
34	Cotter pin Ø4 x 32				4

**Key:**

**22\*- 31\*** - included in: KNORR brake system for the N272/3 spreader, CONNECTORS - **POD-OGL-001115**

### 32. PNEUMATIC BRAKING SYSTEM – STEERING AXLE



No.	Part or assembly name	Fig. or index No.			
		N272/3	Volume	N272/6	Volume
35*	Drain valve M22 x 1.5 KNORR	—————	——	POD-OGL-001114	1
36*	Tensioner guard			N272-3 03.01.13	1
37*	Air valve mounting			N272-3 03.01.120.1	1
38	Bolt 6 x 20 galv. 8.8 82105 82105 8.8			23S6/20	4
39	Bolt 8 x 35 galv. 8.8 82105 82105			23S8/35OC 8.8	2
40	Bolt 8 x 30 galv. 8.8 82105 82105			23S8/30OC 8.8	2
41	Bolt 10 x 30 galv. 8.8 82105 82105			23S10/30OC 8.8	2
42	Round washer 6 galv. coated 82030			23P6OC030	8
43	Round washer 8 galv. 82005 82005			23P8OOC	4
44	Round washer 8 galv. coated 82019			23P8 82019OC	4
45	Spring washer 8.2 galv. 82008 82008			23P8SPOC	2
46	Round washer 30 galv. 82005 82005			23P10 82005	6
47	Round washer 14 galv. 82005 82005			23P14OC	8

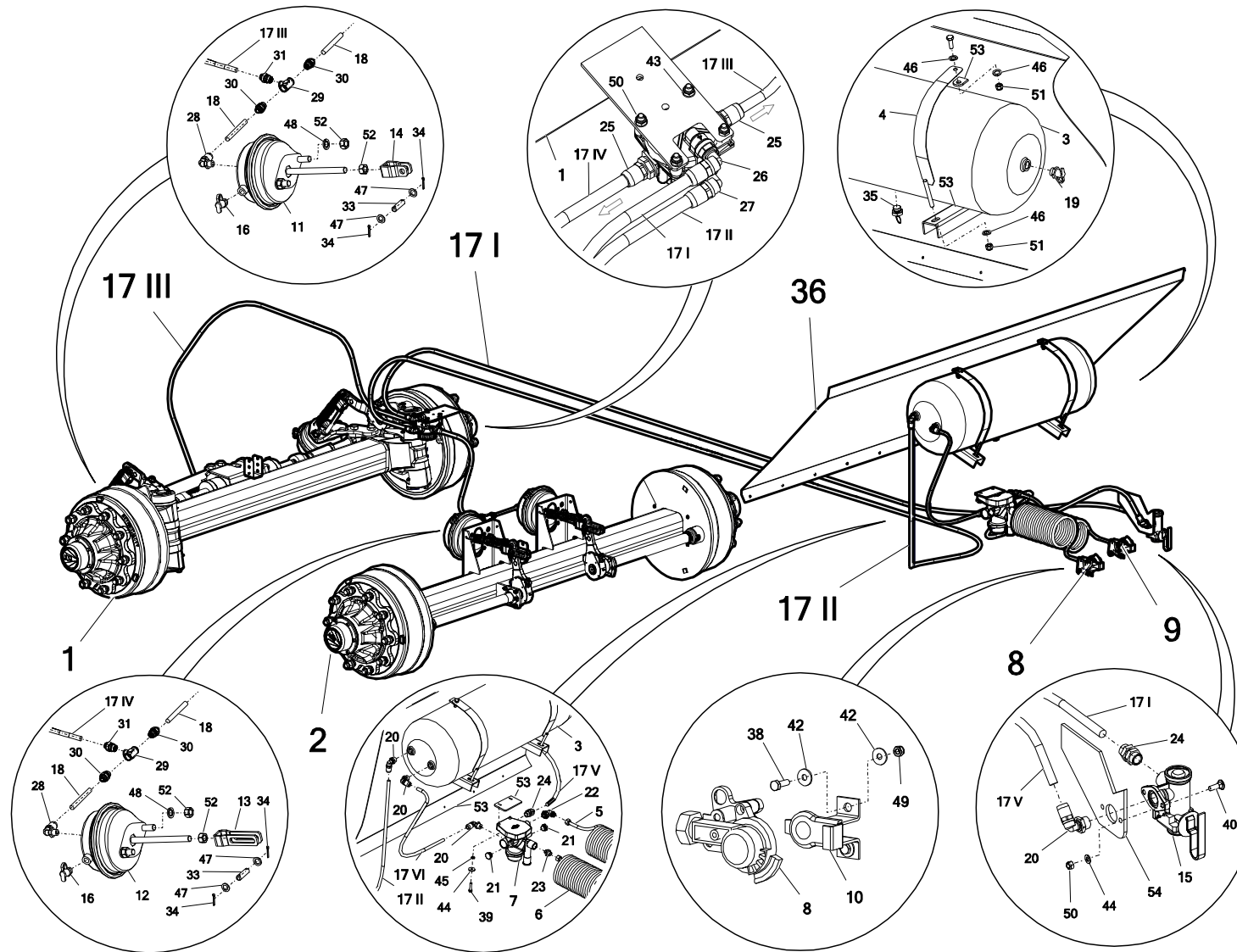
**Key:**

**35\*** - included in: KNORR brake system for the N272/1-2 spreader, CONNECTORS - **POD-OGL-001114**

**36\*, 37\*** – included in: Shell - **N272-3 03.01.00.3**



### 32. PNEUMATIC BRAKING SYSTEM – STEERING AXLE

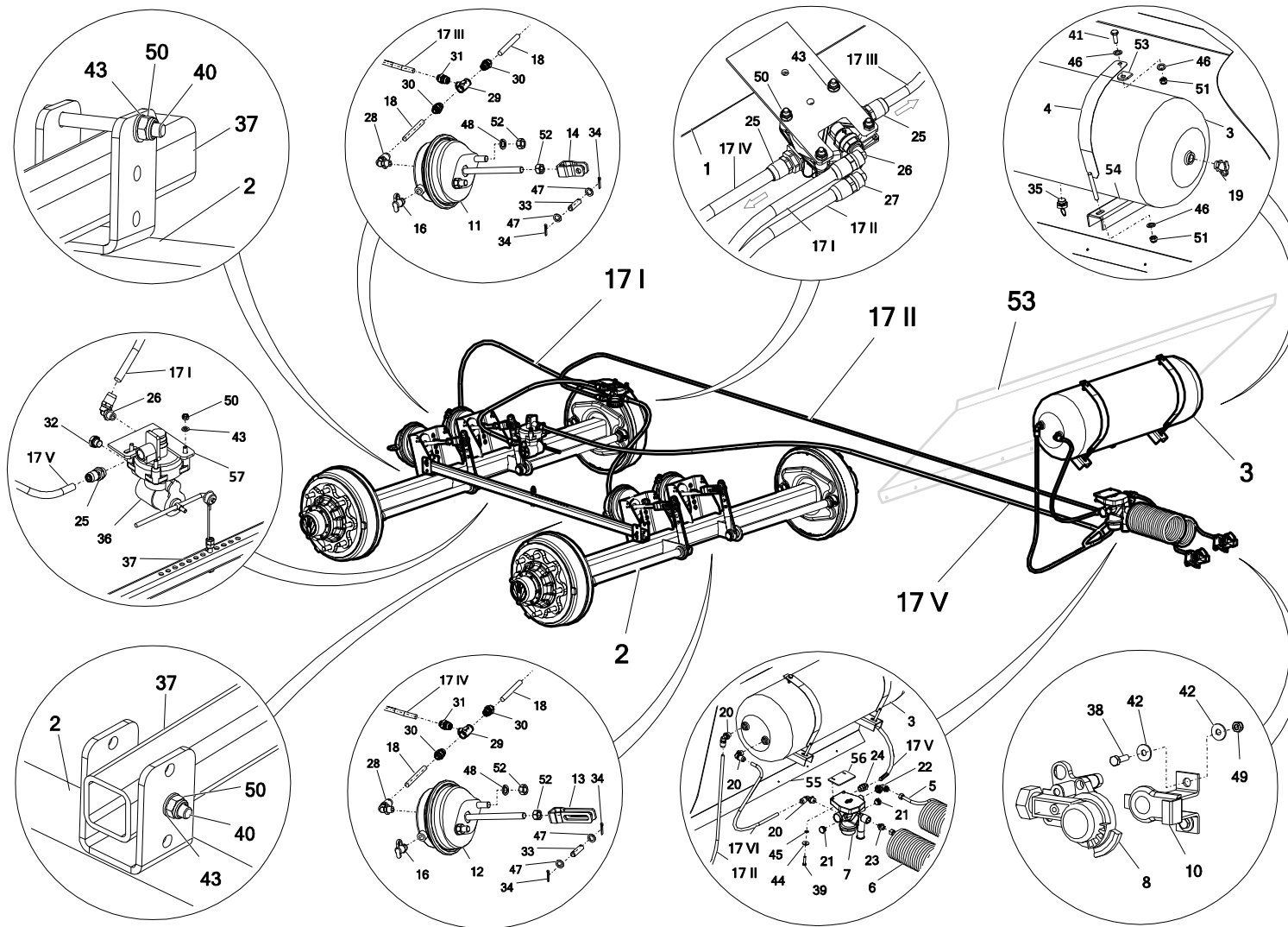


No.	Part or assembly name	Fig. or index No.			
		N272/3	Volume	N272/6	Volume
48	Spring washer 16.3 galv. 82008 82008	—————	——	23P16SP	8
49	Self-locking nut M6 galv. 82175 8 82175 8			23NS6OC	4
50	Self-locking nut M8 galv. 82175 8 82175 8			23NS8OC	8
51	Self-locking nut M10 galv. 82175 8 82175 8			23NS10OC	4
52	Nut M16 galv. 8.8 82144 5 82144 5			23N16OC	12
53*	Clamping ring mounting eye			N274 01.01.79	2
54*	Distributor lever mounting			N272-3 03.01.121	1
55*	Tank support			N274 01.01.65	2
56	Relay valve KNORR			POD-OGL-000850	1

**Key:**

**53\*, 54\*, 55\*** – included in: Shell - **N272-3 03.01.00.3**

### 33. PNEUMATIC BRAKING SYSTEM WITH ALB

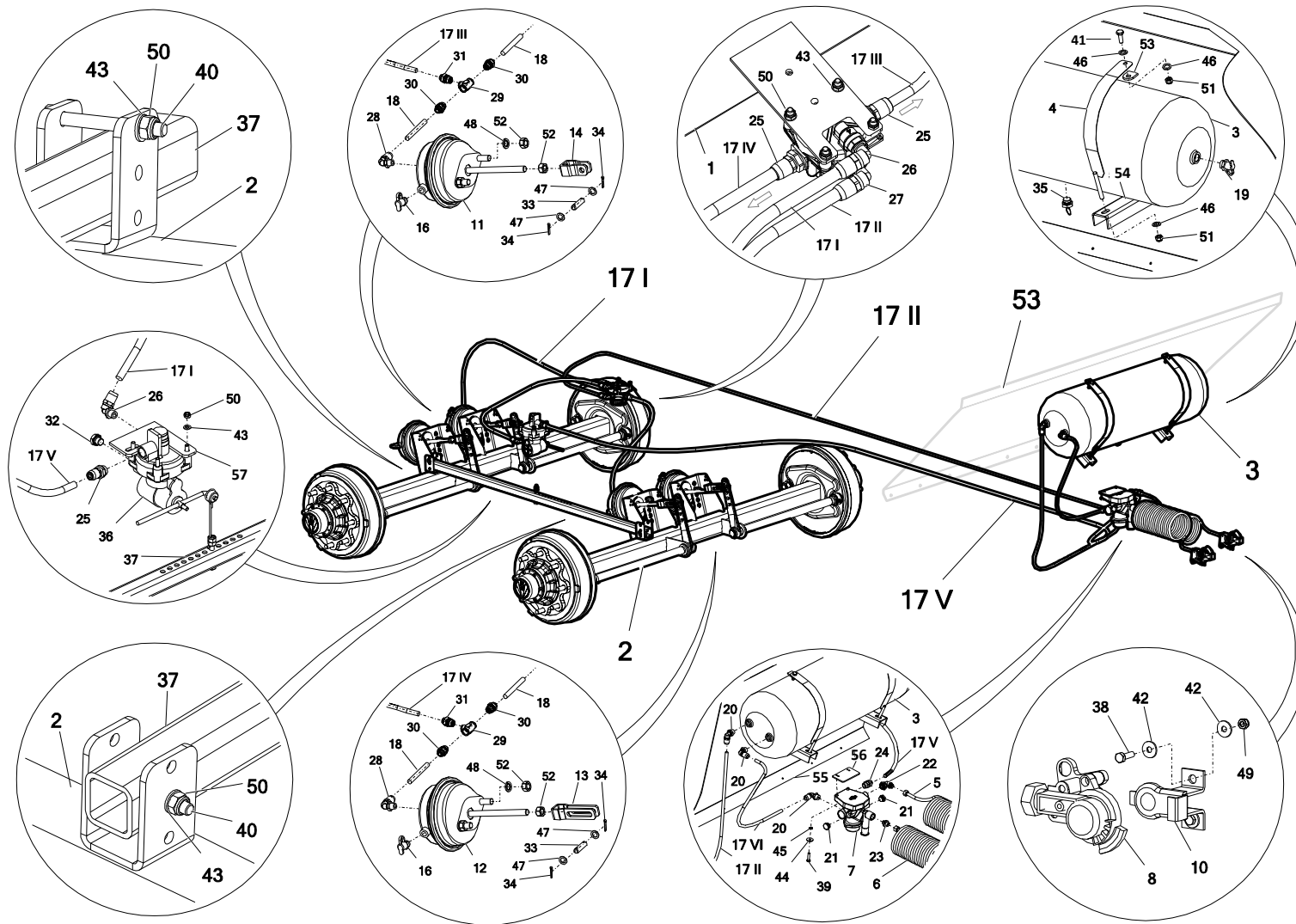


No.	Part or assembly name	Fig. or index No.			
		N272/3	Volume	N272/6	Volume
1	Lower frame	N272-3 01.00.00.2	1	N272-6 01.00.00.2	1
2	Axle AS3UF1VCN013	N272-3 02.04.00.1 POD-KOS-000264	1	N272-3 02.04.00.1 POD-KOS-000264	1
3	Air tank 60 l, diam. 276 KNORR	POD-OGL-000632	1	POD-OGL-000632	1
4	Tank clamping ring N274 01.05.00	N274 01.05.00	2	N274 01.05.00	2
5*	M16 spiral pneumatic hose, yellow, MAR	POD-OGL-001094	1	POD-OGL-001094	1
6*	M16 spiral pneumatic hose, red, MAR		1		1
7*	Trailer brake valve KNORR BREMSE		1		1
8*	Head with a flow-through filter, yellow		1		1
9*	Head with a flow-through filter, red		1		1
10*	Holder for heads		2		2
11	Membrane cylinder 24 + short forks KNORR	POD-OGL-000553	2	POD-OGL-000553	2
12	Membrane cylinder 24 + long forks KNORR	POD-OGL-000637	2	POD-OGL-000637	2
13	Long forks for membrane cylinder		2		2
14	Short forks for membrane cylinder		2		2

**Key:**

**3\*- 10\*** - included in: KNORR TUV braking system, type N UNIVERSAL, automatic adjustment ALB VALVES without rear connectors – **POD-OGL-001094**

### 33. PNEUMATIC BRAKING SYSTEM WITH ALB

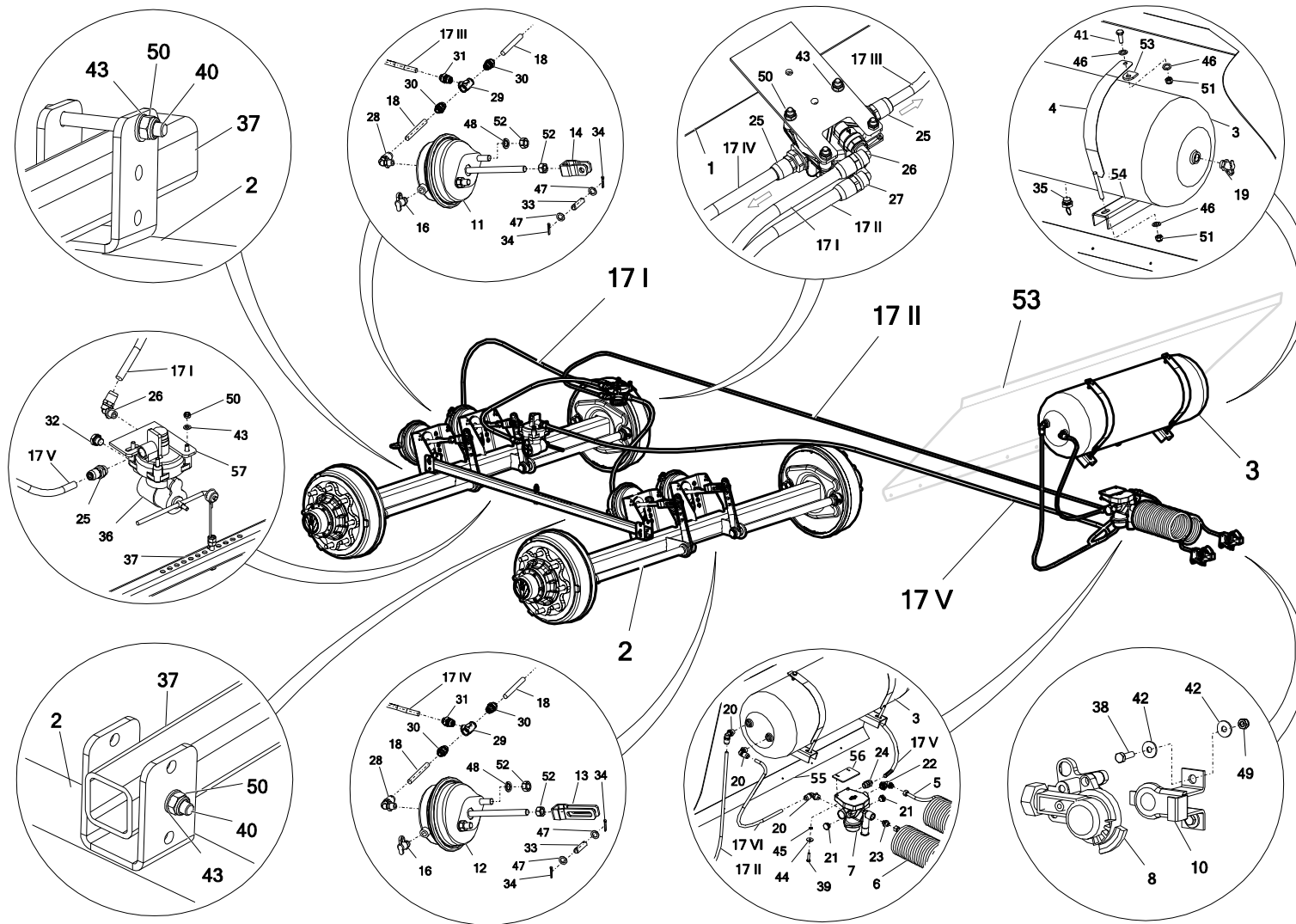


No.	Part or assembly name	Fig. or index No.			
		N272/3	Volume	N272/6	Volume
15	Accelerating relay valve KNORR AC574AY	POD-OGL-000850	1	POD-OGL-000850	1
16*	Pneumatic control connector M16 x 1.5	POD-OGL-001095	4	POD-OGL-001095	4
17 I	Tecalan tube DN15 x 1.5 (10 m)	POD-TSZ-000051	0.5 m	POD-TSZ-000051	0.5 m
17 II			4.5 m		4.5 m
17 III			0.5 m		0.5 m
17 IV			1.5 m		1.5 m
17 V			2.5 m		2.5 m
17 VI			0.5 m		0.5 m
18	Tecalan tube DN12 x 1.5	POD-TSZ-000050	1 m	POD-TSZ-000050	1 m
19*	Pneumatic control connector M22 x 1.5	POD-OGL-001095	1	POD-OGL-001095	1
20*	Pneumatic elbow M22-12 x 1.5 TK12		2		2
21*	Pneumatic plug M22		2		2
22*	Pneumatic elbow M22-18 x 1.5		1		1
23*	Straight pneumatic connector M16-M16		1		1
24*	Bulkhead reducer M22 x 1.5-M22 x 1.5, int. M16 x 1.5		1		1

**Key:**

**16\*, 19\*- 24\*** – included in: KNORR braking system of the N272-3.6 VIKING spreader with ALB CONNECTIONS - **POD-OGL-001095**

### 33. PNEUMATIC BRAKING SYSTEM WITH ALB



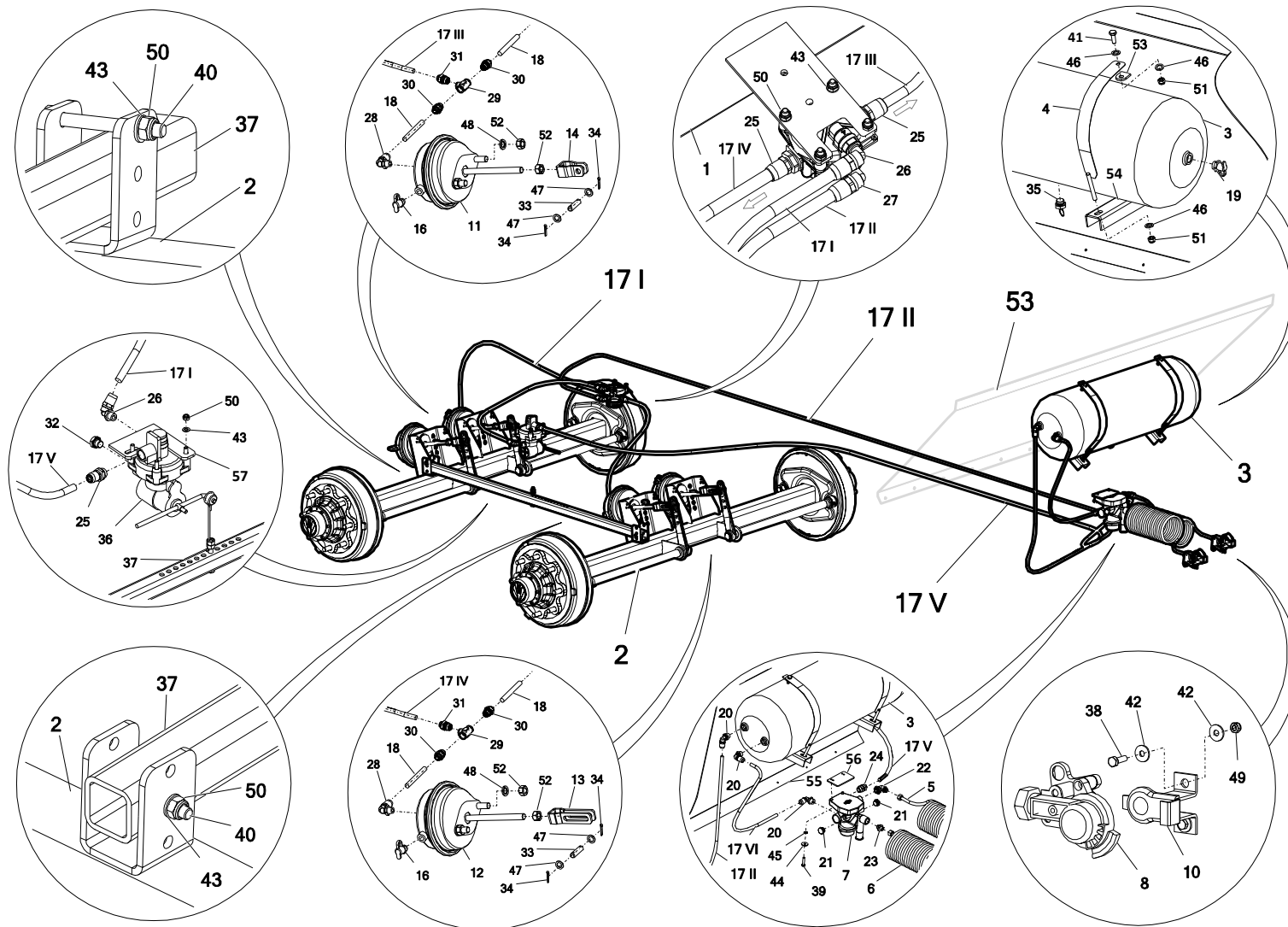
No.	Part or assembly name	Fig. or index No.			
		N272/3	Volume	N272/6	Volume
25*	Straight connector 22 x 1.5 / diam. 15	POD-OGL-001095	2	POD-OGL-001095	2
26*	Pneumatic elbow M16 TK15		1		1
27*	Pneumatic elbow M22-15 x 1.5 TK15		1		1
28*	Pneumatic elbow M16-12 x 1.5		4		4
29*	T-piece M16 x 3		2		2
30*	Straight pneumatic connector M16 TK12		4		4
31*	Straight pneumatic connector M16 TK15		2		2
32	Pneumatic plug M16	POD-PZŁ-000036	1	POD-PZŁ-000036	1
33	Cylinder pin	POD-OGL-000637	4	POD-OGL-000637	4
34	Cotter pin Ø4 x 32		8		8
35*	Drain valve M22 x 1.5 KNORR	POD-OGL-001095	1	POD-OGL-001095	1
36*	Mechanical braking force regulator	POD-OGL-001094	1	POD-OGL-001094	1
37	Lever ALB N272 02.04.09	N272 02.04.09	1	N272 02.04.09	1

**Key:**

**25\*- 31\*, 35\*** – included in: KNORR braking system of the N272-3.6 VIKING spreader with ALB CONNECTIONS - **POD-OGL-001095**

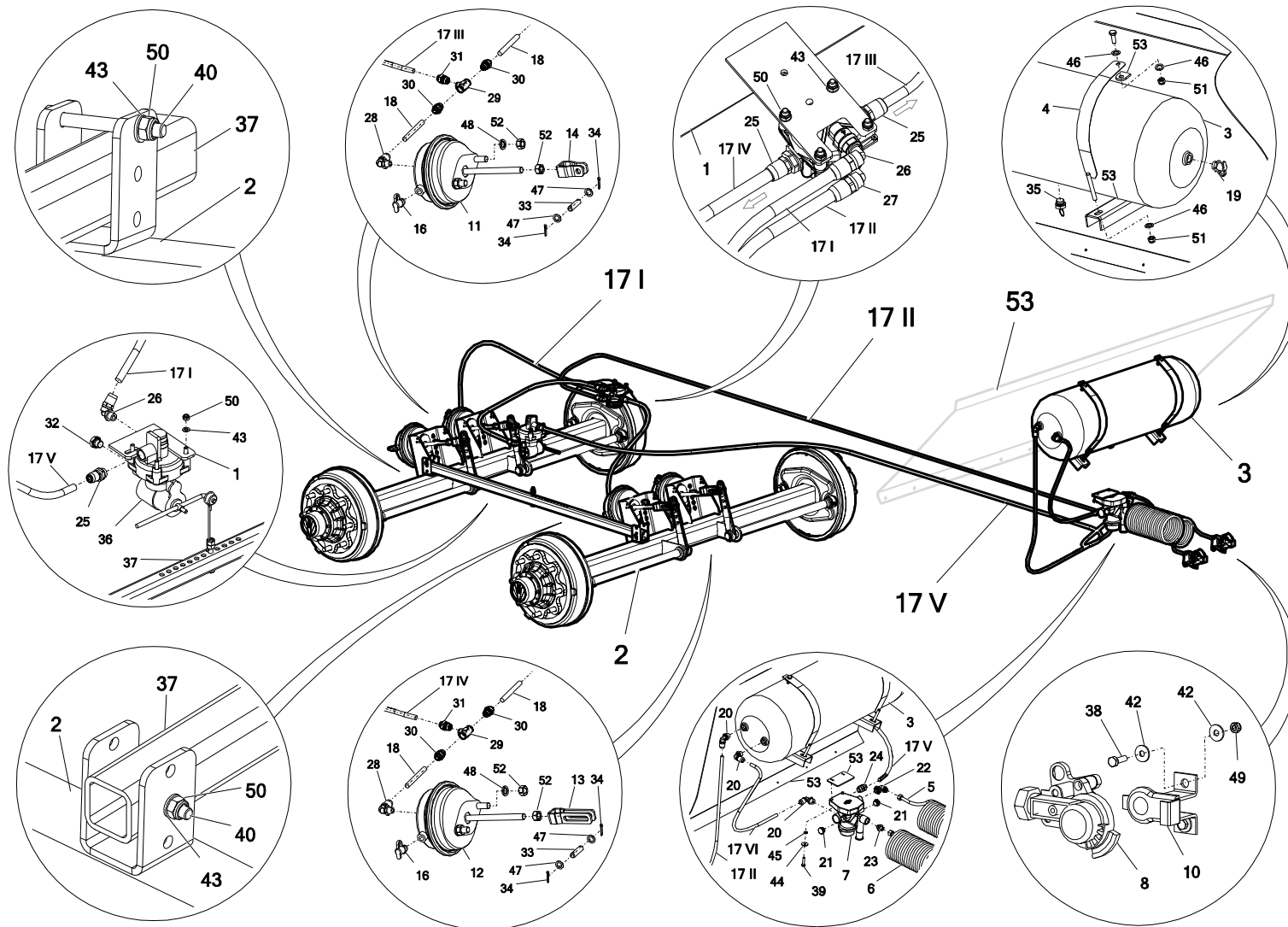


### 33. PNEUMATIC BRAKING SYSTEM WITH ALB



No.	Part or assembly name	Fig. or index No.			
		N272/3	Volume	N272/6	Volume
38	Bolt 6 x 20 galv. 8.8 82105 82105 8.8	23S6/20	4	23S6/20	4
39	Bolt 8 x 35 galv. 8.8 82105 82105	23S8/35OC 8.8	2	23S8/35OC 8.8	2
40	Bolt 8 x 70 galv. 8.8 82101 82101	23S8/70OC	2	23S8/70OC	2
41	Bolt 10 x 25 galv. 8.8 82105 82105	23S10/25OC 8.8	2	23S10/25OC 8.8	2
42	Round washer 6 galv. coated 82030	23P6OC030	8	23P6OC030	8
43	Round washer 8 galv. 82005 82005	23P8OOC	9	23P8OOC	9
44	Round washer 8 galv. coated 82019	23P8 82019OC	2	23P8 82019OC	2
45	Spring washer 8.2 galv. 82008 82008	23P8SPOC	2	23P8SPOC	2
46	Round washer 30 galv. 82005 82005	23P10 82005	4	23P10 82005	4
47	Round washer 14 galv. 82005 82005	23P14OC	8	23P14OC	8
48	Spring washer 16.3 galv. 82008 82008	23P16SP	8	23P16SP	8
49	Self-locking nut M6 galv. 82175 8 82175 8	23NS6OC	4	23NS6OC	4
50	Self-locking nut M8 galv. 82175 8 82175 8	23NS8OC	9	23NS8OC	9
51	Self-locking nut M10 galv. 82175 8 82175 8	23NS10OC	2	23NS10OC	2

### 33. PNEUMATIC BRAKING SYSTEM WITH ALB



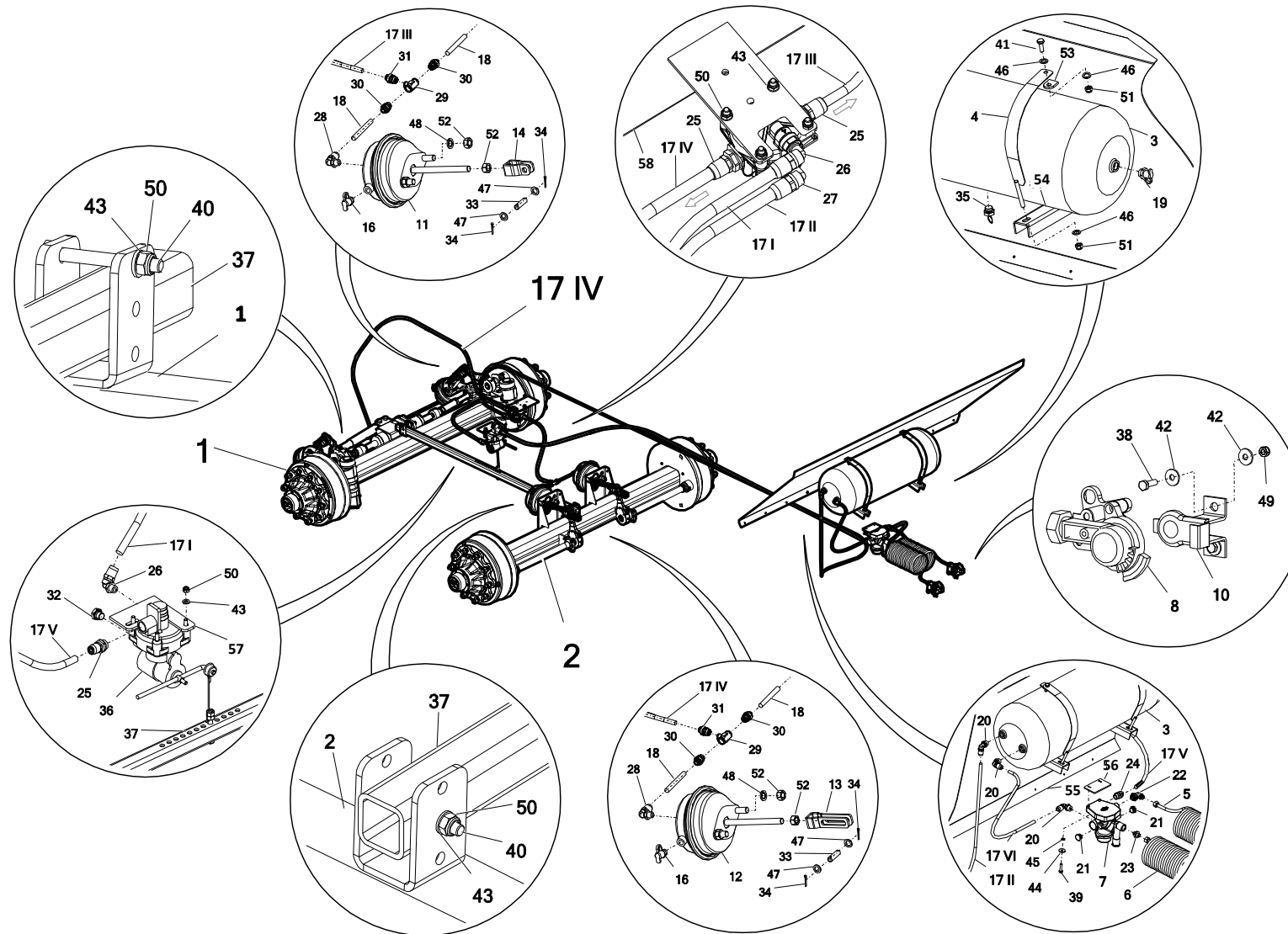
No.	Part or assembly name	Fig. or index No.			
		N272/3	Volume	N272/6	Volume
52	Nut M16 galv. 8.8 82144 5 82144 5	23N16OC	12	23N16OC	12
53*	Clamping ring mounting eye	N274 01.01.79	2	N274 01.01.79	2
54*	Tank support	N274 01.01.65	2	N274 01.01.65	2
55*	Tensioner guard	N272-3 03.01.13	1	N272-3 03.01.13	1
56	Air valve mounting	N272-3 03.01.120.1	1	N272-3 03.01.120.1	1
57*	ALB valve mounting	N272 01.00.29.1	1	N272 01.00.29.1	1

**Key:**

**53\*, 54\*, 55\*** – included in: Shell - **N272-3 03.01.00.3**

**57\*** - included in: Bottom frame - **N272-3 01.00.00.2, N272-6 01.00.00.2**

### 34. PNEUMATIC BRAKING SYSTEM WITH ALB – STEERING AXLE

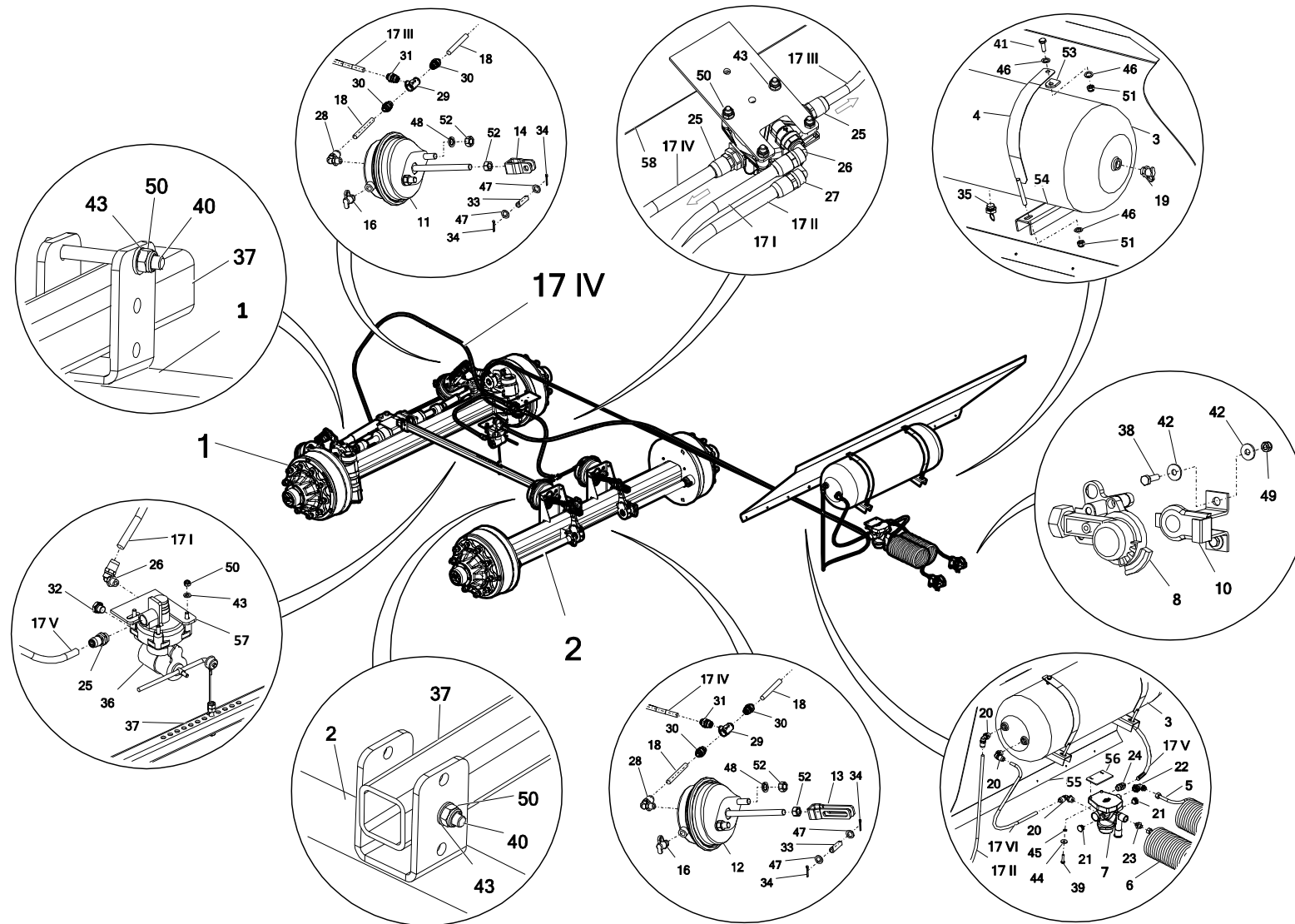


No.	Part or assembly name	Fig. or index No.			
		N272/3	Volume	N272/6	Volume
1	Steering axle C7S3UF1VC021	—————	——	POD-KOS-000263	1
2	Axle AS3UF1VCN013			POD-KOS-000264	1
3	Air tank 60 l, diam. 276 KNORR			POD-OGL-000632	1
4	Tank clamping ring N274 01.05.00			N274 01.05.00	2
5*	M16 spiral pneumatic hose, yellow, MAR			POD-OGL-001094	1
6*	M16 spiral pneumatic hose, red, MAR				1
7*	Trailer brake valve KNORR BREMSE				1
8*	Head with a flow-through filter, yellow				1
9*	Head with a flow-through filter, red				1
10*	Holder for heads				2
11	Membrane cylinder 24 + short forks KNORR			POD-OGL-000553	2
12	Membrane cylinder 24 + long forks KNORR			POD-OGL-000637	2
13	Long forks for membrane cylinder				2
14	Short forks for membrane cylinder				2

**Key:**

**5\*- 10\*** - included in: KNORR TUV braking system, type N UNIVERSAL, automatic adjustment ALB VALVES without rear connectors – **POD-OGL-001094**

### 34. PNEUMATIC BRAKING SYSTEM WITH ALB – STEERING AXLE



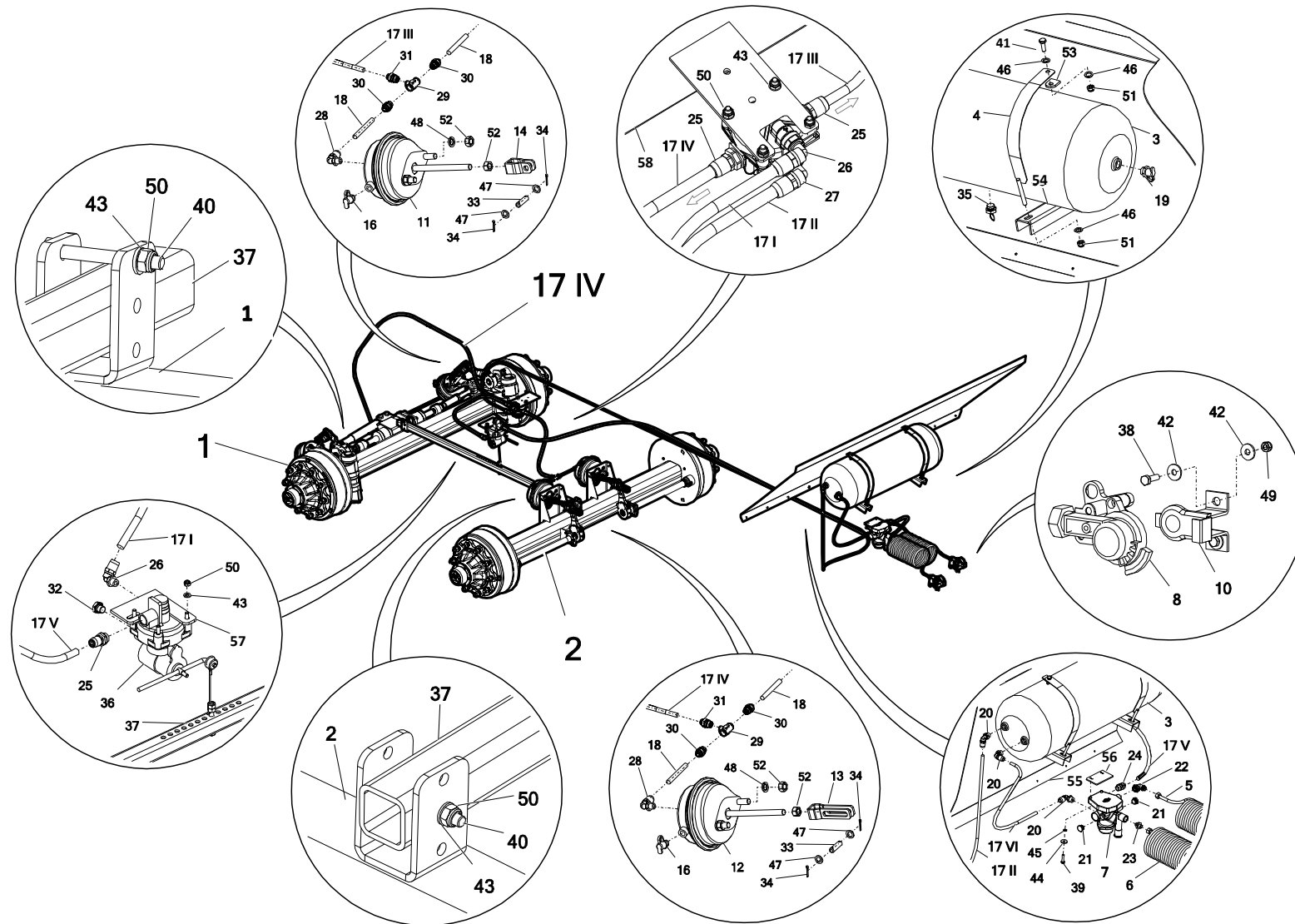
No.	Part or assembly name	Fig. or index No.						
		N272/1	Volume	N272/2	Volume			
15	Accelerating relay valve KNORR AC574AY	—————	——	POD-OGL-000850	1			
16*	Pneumatic control connector M16 x 1.5			POD-OGL-001095	4			
17 I	Tecalan tube DN15 x 1.5 (10 m)			—————	——	POD-TSZ-000051	0.5 m	
17 II							4.5 m	
17 III							0.5 m	
17 IV							1.5 m	
17 V							2.5 m	
17 VI							0.5 m	
18	Tecalan tube DN12 x 1.5			—————	——	POD-TSZ-000050	1 m	
19*	Pneumatic control connector M22 x 1.5			—————	——	POD-OGL-001095	1	
20*	Pneumatic elbow M22-12 x 1.5 TK12						2	
21*	Pneumatic plug M22						2	
22*	Pneumatic elbow M22-18 x 1.5						1	
23*	Straight pneumatic connector M16-M16						—————	——
		1						

**Key:**

**16\*, 19\*- 23\*** – included in: KNORR braking system of the N272-3.6 VIKING spreader with ALB CONNECTIONS - **POD-OGL-001095**



### 34. PNEUMATIC BRAKING SYSTEM WITH ALB – STEERING AXLE

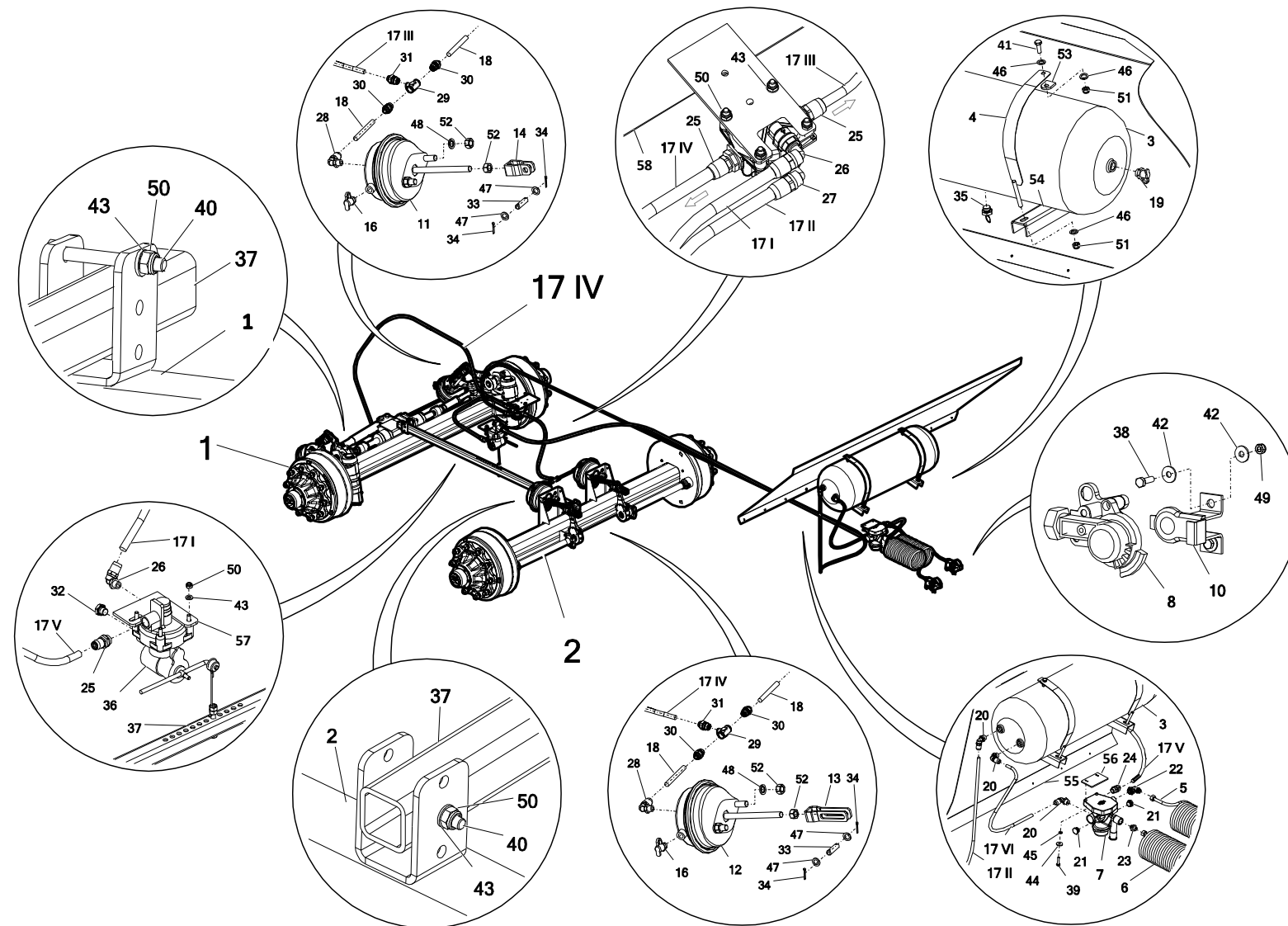


No.	Part or assembly name	Fig. or index No.			
		N272/1	Volume	N272/2	Volume
24*	Bulkhead reducer M22 x 1.5-M22 x 1.5, int. M16 x 1.5	—————	———	POD-OGL-001095	1
25*	Straight connector 22 x 1.5 / diam. 15				2
26*	Pneumatic elbow M16 TK15				1
27*	Pneumatic elbow M22-15 x 1.5 TK15				1
28*	Pneumatic elbow M16-12 x 1.5				4
29*	T-piece M16 x 3				2
30*	Straight pneumatic connector M16 TK12				4
31*	Straight pneumatic connector M16 TK15				2
32	Pneumatic plug M16			POD-PZŁ-000036	1
33	Cylinder pin			POD-OGL-000637	4
34	Cotter pin Ø4 x 32				8
35*	Drain valve M22 x 1.5 KNORR			POD-OGL-001095	1

**Key:**

**29\*- 31\*, 35\*** – included in: KNORR braking system of the N272-3.6 VIKING spreader with ALB CONNECTIONS - **POD-OGL-001095**

### 34. PNEUMATIC BRAKING SYSTEM WITH ALB – STEERING AXLE

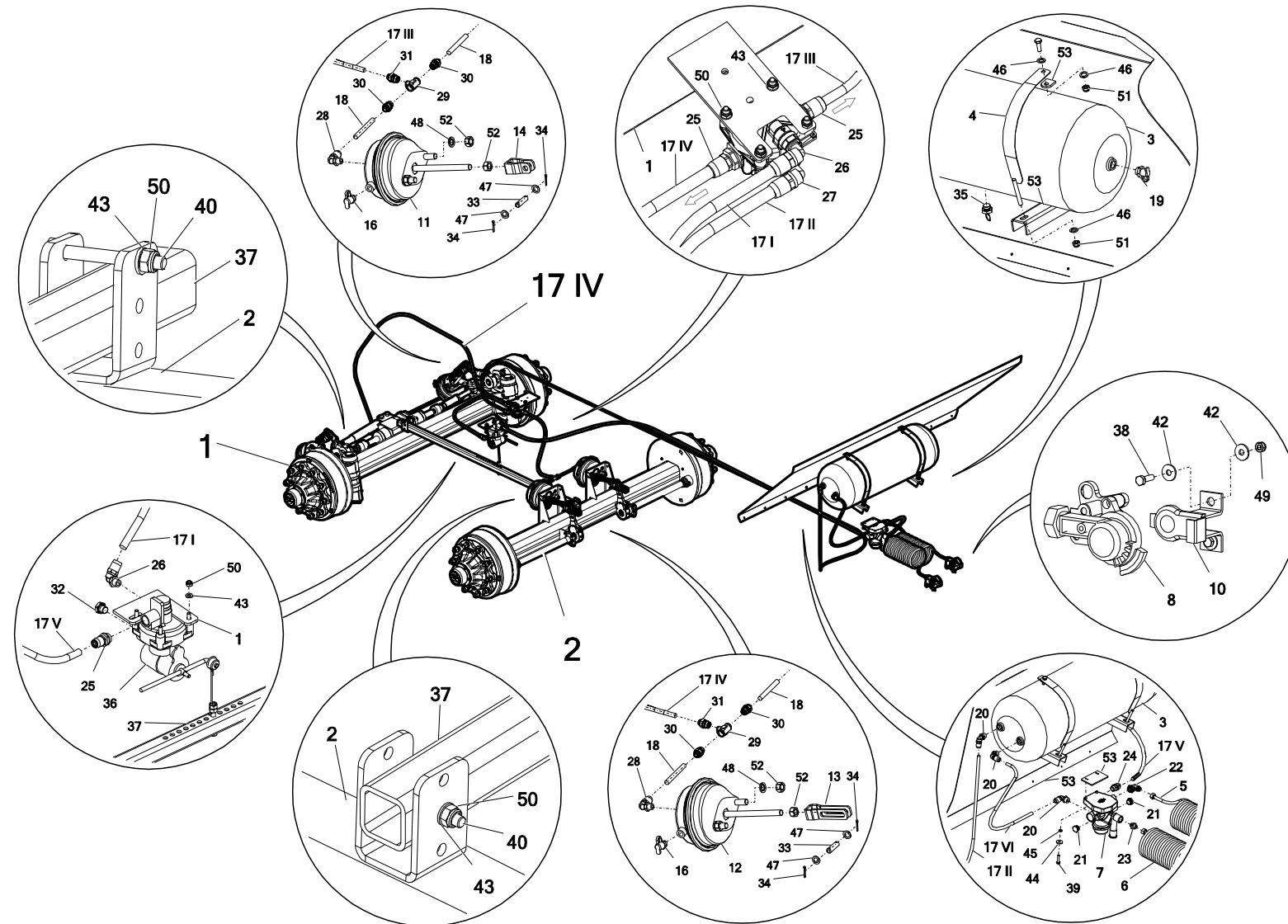


No.	Part or assembly name	Fig. or index No.			
		N272/3	Volume	N272/6	Volume
36*	Mechanical braking force regulator	—————	——	POD-OGL-001094	1
37	Lever ALB N272 02.04.09			N272 02.04.09	1
38	Bolt 6 x 20 galv. 8.8 82105 82105 8.8			23S6/20	4
39	Bolt 8 x 35 galv. 8.8 82105 82105			23S8/35OC 8.8	2
40	Bolt 8 x 70 galv. 8.8 82101 82101			23S8/70OC	2
41	Bolt 10 x 25 galv. 8.8 82105 82105			23S10/25OC 8.8	2
42	Round washer 6 galv. coated 82030			23P6OC030	8
43	Round washer 8 galv. 82005 82005			23P8OOC	9
44	Round washer 8 galv. coated 82019			23P8 82019OC	2
45	Spring washer 8.2 galv. 82008 82008			23P8SPOC	2
46	Round washer 30 galv. 82005 82005			23P10 82005	4
47	Round washer 14 galv. 82005 82005			23P14OC	8
48	Spring washer 16.3 galv. 82008 82008			23P16SP	8

**Key:**

**36\*** - included in: KNORR TUV braking system, type N UNIVERSAL, automatic adjustment ALB VALVES without rear connectors – **POD-OGL-001094**

### 34. PNEUMATIC BRAKING SYSTEM WITH ALB – STEERING AXLE



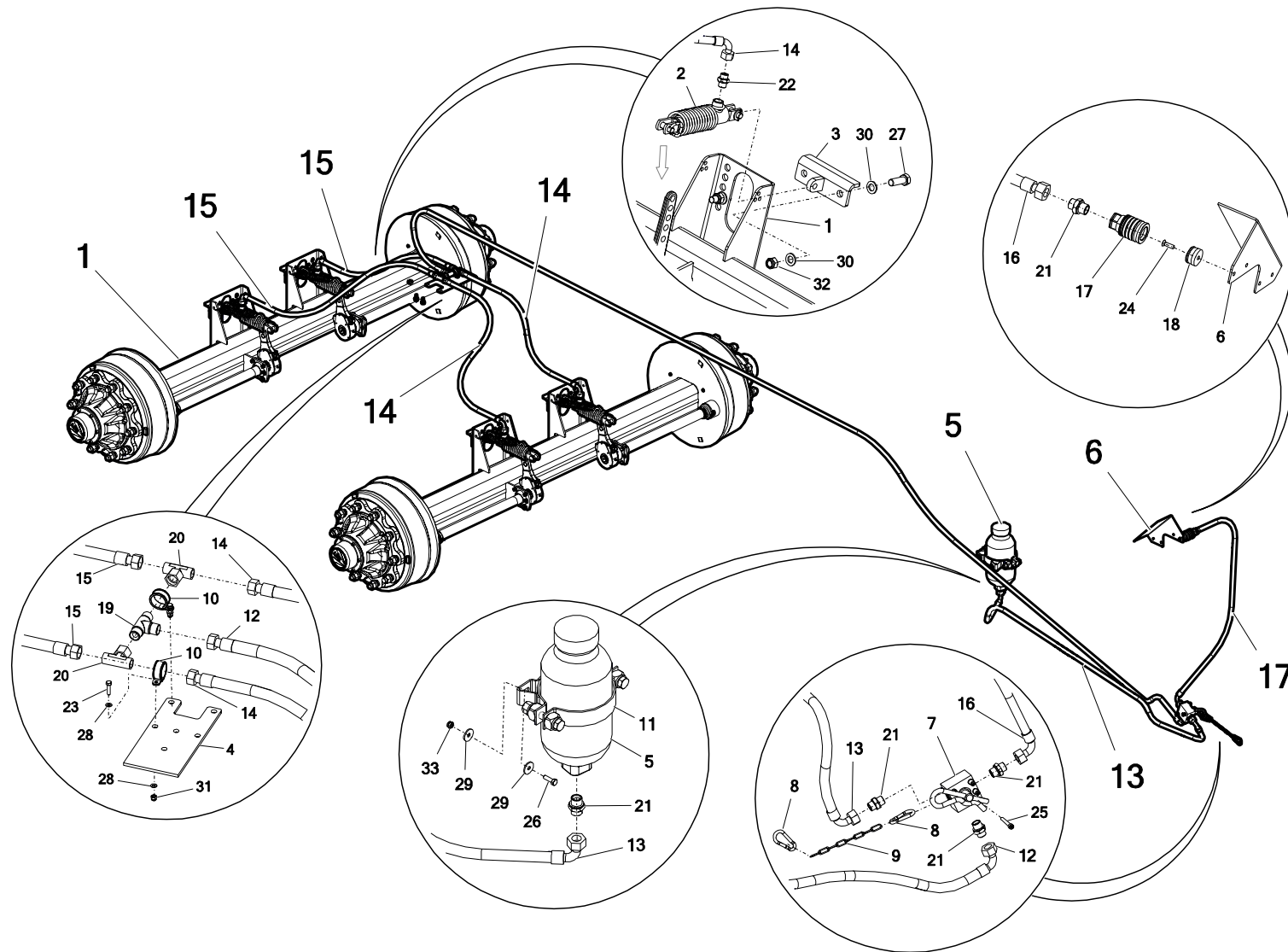
No.	Part or assembly name	Fig. or index No.			
		N272/3	Volume	N272/6	Volume
49	Self-locking nut M6 galv. 82175 8 82175 8	_____	_____	23NS6OC	4
50	Self-locking nut M8 galv. 82175 8 82175 8			23NS8OC	9
51	Self-locking nut M10 galv. 82175 8 82175 8			23NS10OC	2
52	Nut M16 galv. 8.8 82144 5 82144 5			23N16OC	12
53*	Clamping ring mounting eye			N274 01.01.79	2
54*	Tank support			N274 01.01.65	2
55*	Tensioner guard			N272-3 03.01.13	1
56	Air valve mounting			N272-3 03.01.120.1	1
57*	ALB valve mounting			N272 01.00.29.1	1
58	Bottom frame (VIKING)			N272-6 01.00.00.2	1

**Key:**

**53\*, 54\*, 55\*** – included in: Shell - **N272-3 03.01.00.3**

**57\*** - included in: Bottom frame - **N272-3 01.00.00.2, N272-6 01.00.00.2**

### 35. HYDRAULIC BRAKE SYSTEM



No.	Part or assembly name	Fig. or index No.			
		N272/3	Volume	N272/6	Volume
1	Universal axis, complete N272-3 02.04.00.1	N272-3 02.04.00.1	2	—————	—
	Axle AS3UF1VCN013 2000/130/280/335/10xM22/406x120 TDB 361-061-11 ADR	—————	—	POD-KOS-000264	2
2	Cylinder 813102	POD-OGL-000809	4	POD-OGL-000809	4
3	Hydraulic brake actuator adapter	N272-6 02.08.00	4	N272-6 02.08.00	4
4*	Accelerating valve mounting	N272 01.00.27	1	N272 01.00.27	1
5	Brakes - hydraulic battery 1.5 l (21001971) – 100 bar	POD-HPZ-000114	1	POD-HPZ-000114	1
6*	Pneumatic hose mounting	N272-3 01.06.07	1	N272-3 01.06.07	1
7	Brakes - emergency valve 900409 (21003208)	POD-HPZ-000118	1	POD-HPZ-000118	1
8	Snap hook with nuts, diam. 6 mm galv.	POD-ELZ-000484	2	POD-ELZ-000484	2
9	Clamping chain diam. 2 mm	25LS	1	25LS	1
10	Band clip with rubber P-CLIP 25 x 12	POD-OGL-000179	2	POD-OGL-000179	2
11	Brakes - battery clamping 0.75L and 1.5L (21001623)	POD-HPZ-000116	1	POD-HPZ-000116	1

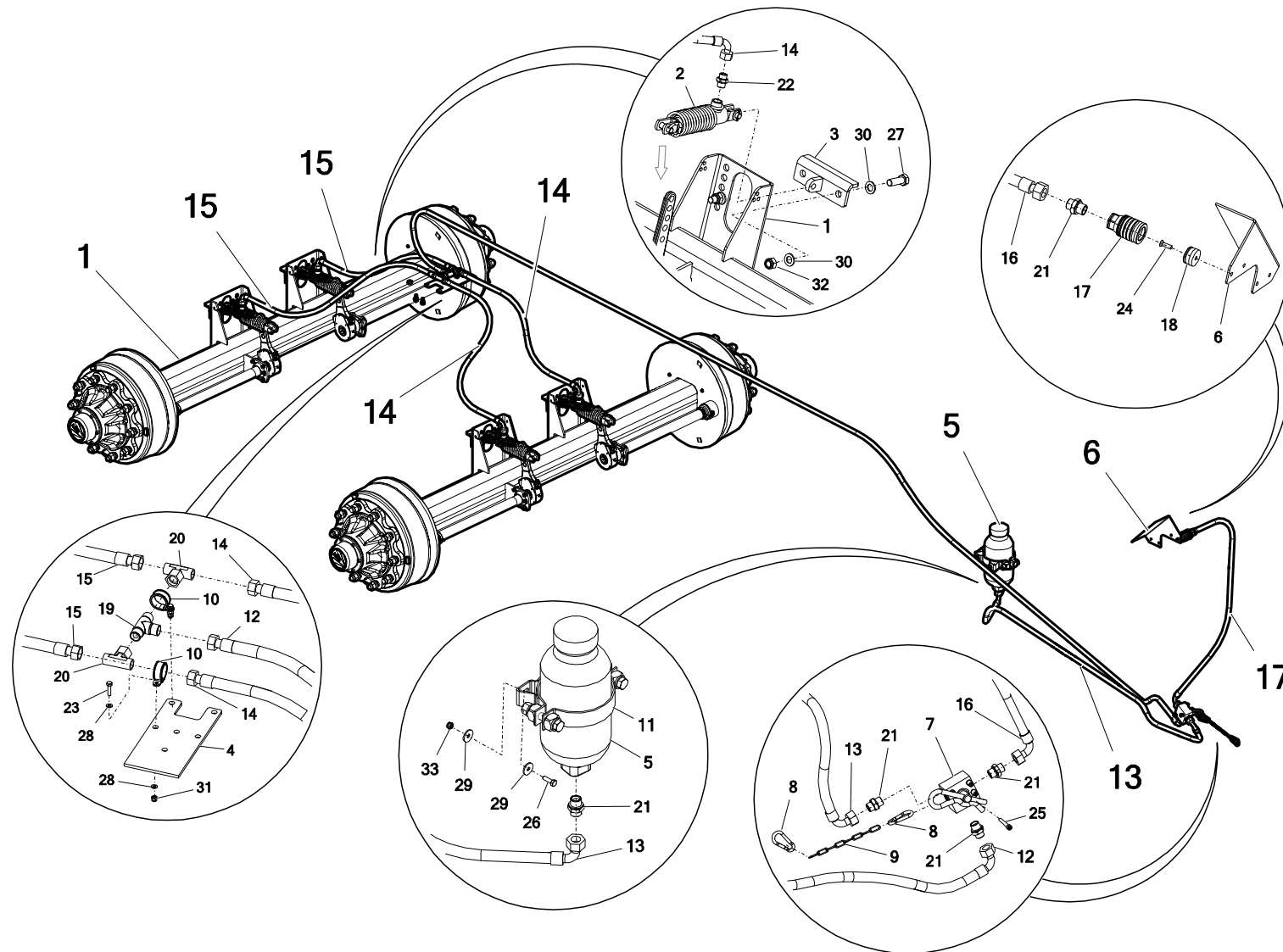
**Key:**

4\* - inseparable part of the bottom frame - **N272-3 01.00.00.1, N272-6 01.00.00.2**

6\* - inseparable part of the cable bracket - **N272-3 01.06.00.1**



### 35. HYDRAULIC BRAKE SYSTEM



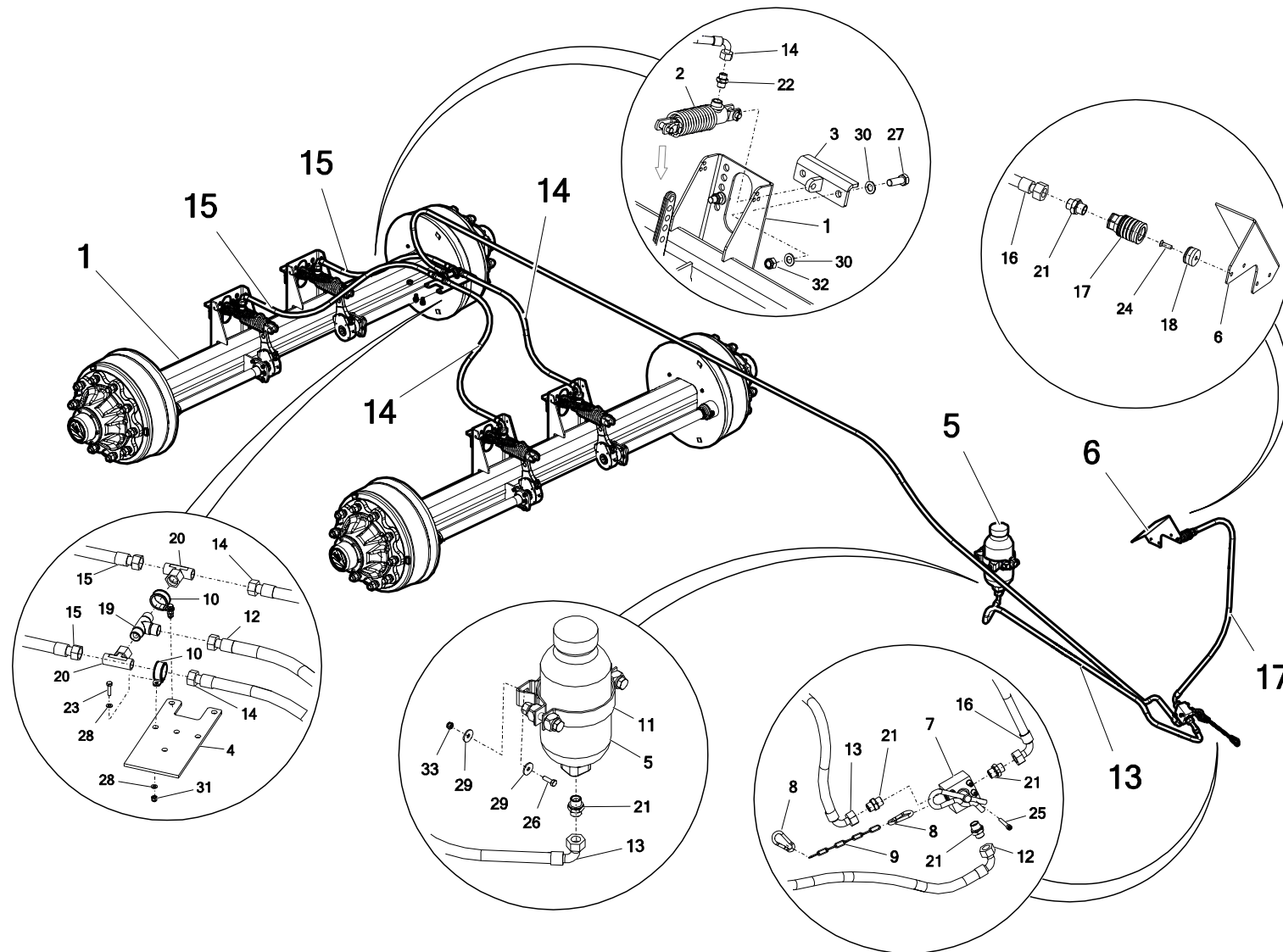
No.	Part or assembly name	Fig. or index No.			
		N272/3	Volume	N272/6	Volume
12*	Hydraulic hose AA/211/10 L-5200	POD-HPR-000553	1	POD-HPR-000553	1
13*	Hydraulic hose AA90/211/10 L-3000		1		1
14*	Hydraulic hose AA90/211/10 L-1000		2		2
15*	Hydraulic hose AA90/211/10 L-1300		2		2
16*	Hydraulic hose AA90/211/10 L-1500		1		1
17*	Quick release coupling 900410 (21001462)	POD-HPZ-000117	1	POD-HPZ-000117	1
18*	Quick release coupling base		1		1
19	T-connector 18 x 18 x 18 12L	24KT18/18/18	1	24KT18/18/18	1
20	T-connector 18 x 18 x 18-1.5 with a top nut	POD-HKR-000002-1	2	POD-HKR-000002-1	2
21	Straight connection 18 x 18-1.5	POD-HKR-000040	5	POD-HKR-000040	5
22	Straight connector 3/8 x 18-1.5 12LR	24KP3/8 18	4	24KP3/8 18	4
23	Bolt 5 x 20 galv. 8.8 82105	POD-ELZ-000645	2	POD-ELZ-000645	2
24	Screw 6 x 20 galv. 82208	23W6/20OC	1	23W6/20OC	1
25	Allen bolt 6 x 50 galv. 8.8 82302	POD-ELZ-000752	2	POD-ELZ-000752	2

**Key:**

**12\*- 16\*** - included in: Set No. 42-4, the N272/3 VIKING 14T spreader with a hydraulic brake - **POD-HPR-000553**

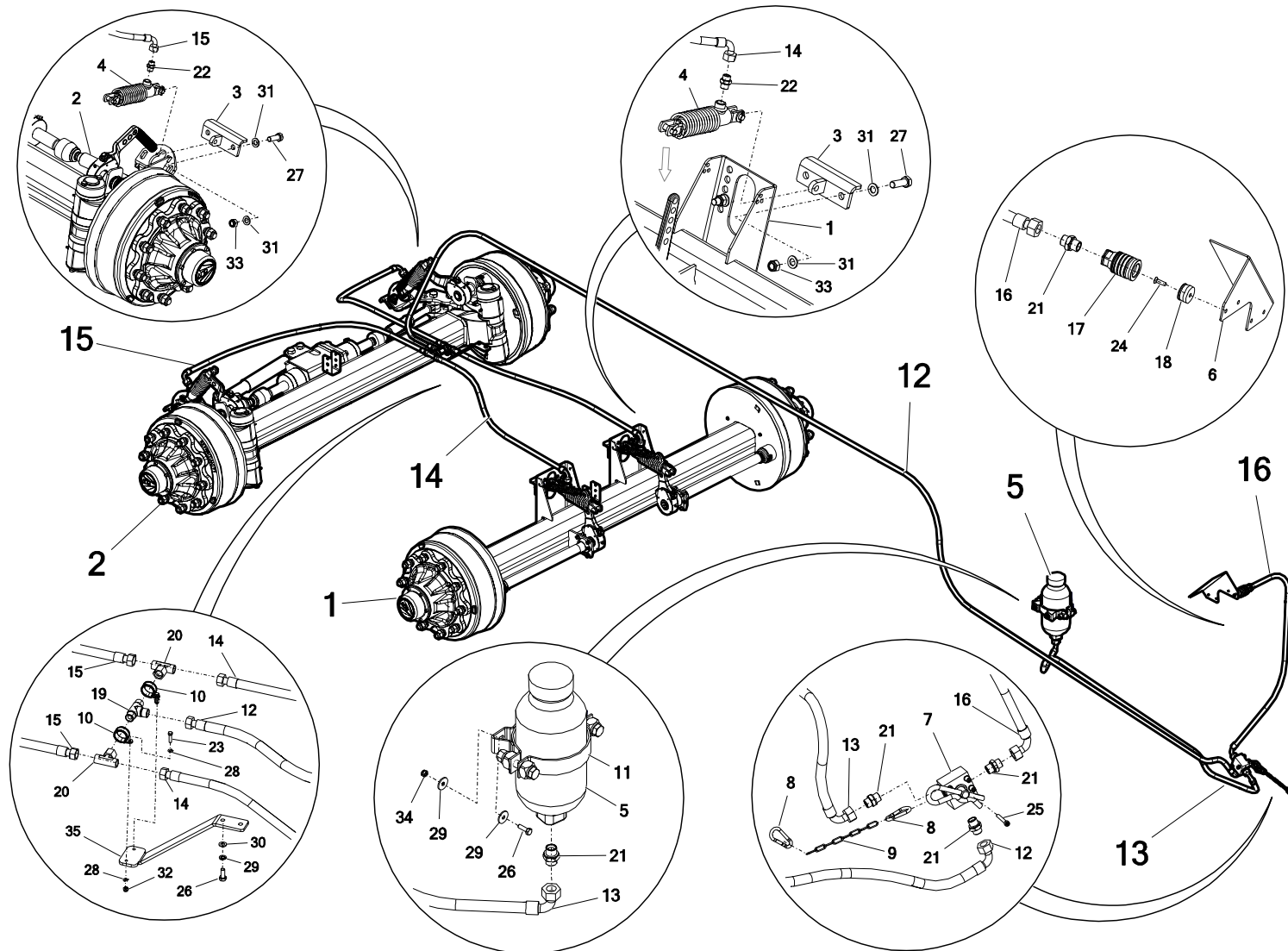
**17\*, 18\*** – included in: Hydraulic brakes – quick release coupling 900410 (21001462) - **POD-HPZ-000117**

### 35. HYDRAULIC BRAKE SYSTEM



No.	Part or assembly name	Fig. or index No.			
		N272/3	Volume	N272/6	Volume
26	Bolt 8 x 20 galv. 8.8 82105 82105	23S8/20OC 8.8	2	23S8/20OC 8.8	2
27	Screw 16 x 45 galv. 8.8 82105 82105	23S16/45OC	8	23S16/45OC	8
28	Round washer, 5.3 galv. 82005 82005	23P5,3OC 82005	4	23P5,3OC 82005	4
29	Spring washer 8.2 galv. 82008 82008	23P8SPOC	2	23P8SPOC	2
30	Round washer 16 galv. 82005 82005	23P16OOC	16	23P16OOC	16
31	Self-locking nut M5 galv. 82175 8	POD-ELZ-000471	32	POD-ELZ-000471	32
32	Self-locking nut M16 galv. 82175 8 82175 8	23NS16OC	8	23NS16OC	8
33	Self-locking nut M8, galv. 82175 8	23NS8OC	2	23NS8OC	2

### 36. HYDRAULIC BRAKING SYSTEM – STEERING AXLE



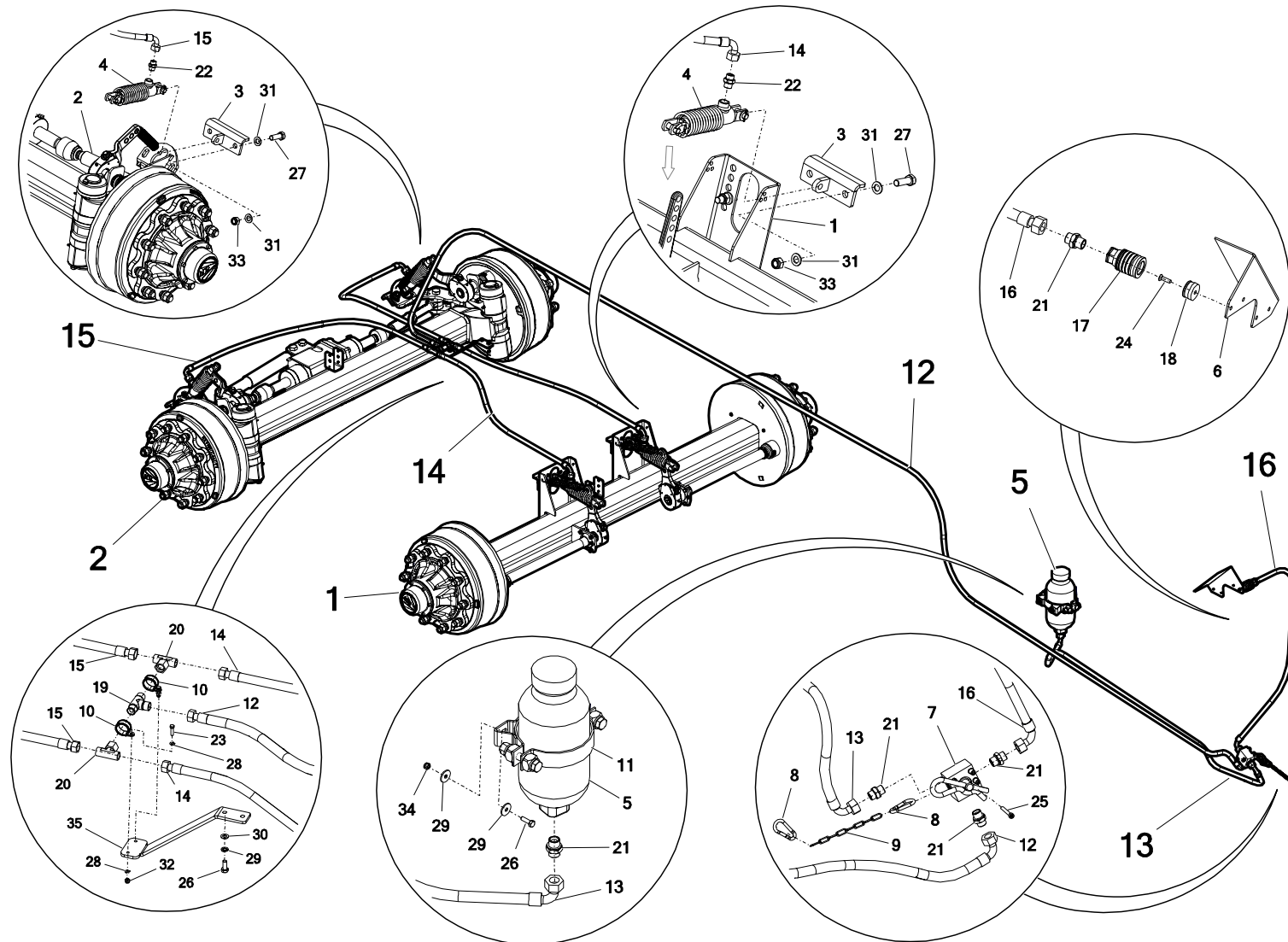
No.	Part or assembly name	Fig. or index No.			
		N272/3	Volume	N272/6	Volume
1	Axle AS3UF1VCN013 2000/130/280/335/10xM22/406x120 TDB 361-061-11 ADR	—————	———	POD-KOS-000264	1
2	Steering axle C7S3UF1VC021 2000/130/280/335/10xM22/406x120 TDB 361-062-11 ADR			POD-KOS-000263	1
3	Hydraulic brake actuator adapter			N272-6 02.08.00	4
4	Cylinder 813102			POD-OGI-000809	4
5	Brakes - hydraulic battery 1.5 l (21001971) – 100 bar			POD-HPZ-000114	1
6*	Pneumatic hose mounting			N272-3 01.06.07	1
7	Brakes - emergency valve 900409 (21003208)			POD-HPZ-000118	1
8	Snap hook with nuts, diam. 6 mm galv.			POD-ELZ-000484	2
9	Clamping chain diam. 2 mm			25LS	1
10	Band clip with rubber P-CLIP 25 x 12			POD-OGI-000179	2
11	Brakes - battery clamping 0.75 L and 1.5 L (21001623)			POD-HPZ-000116	1
12*	Hydraulic hose AA/211/10 L-5200			POD-HPR-000553	1
13*	Hydraulic hose AA90/211/10 L-3000				1

**Key:**

**6\*** - inseparable part of the cable bracket - **N272-3 01.06.00.1**

**12\*, 13\*** – included in: Set No. 42-4, the N272/3 VIKING 14T spreader with a hydraulic brake - **POD-HPR-000553**

### 36. HYDRAULIC BRAKING SYSTEM – STEERING AXLE



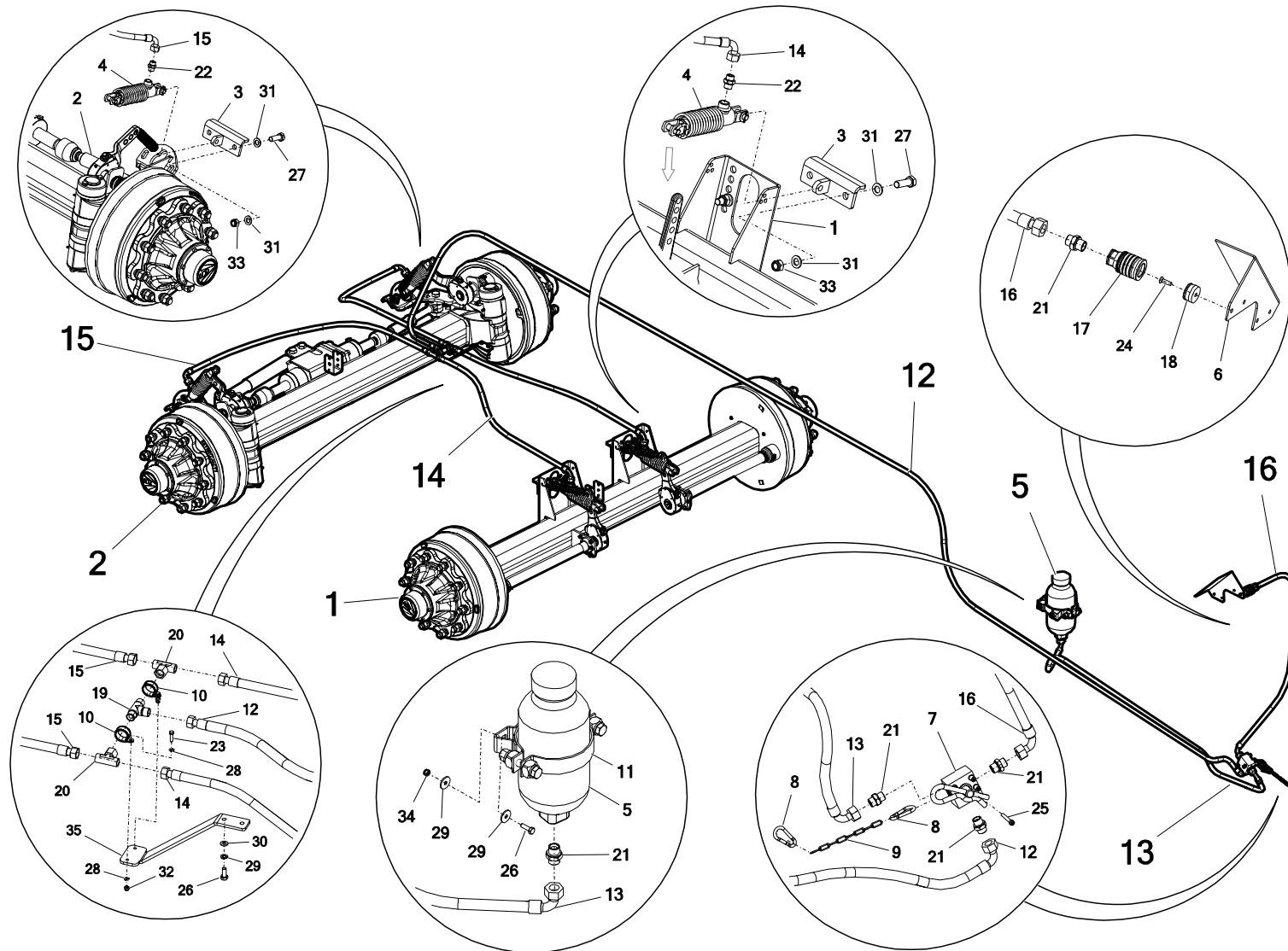
No.	Part or assembly name	Fig. or index No.			
		N272/3	Volume	N272/6	Volume
14*	Hydraulic hose AA90/211/10 L-1000	—	—	POD-HPR-000553	2
15*	Hydraulic hose AA90/211/10 L-1300				1
16*	Hydraulic hose AA90/211/10 L-1500				1
17	Quick release coupling 900410 (21001462)			POD-HPZ-000117	1
18	Quick release coupling base				1
19	T-connector 18 x 18 x 18 12L			24KT18/18/18	1
20	T-connector 18 x 18 x 18-1.5 with a top nut			POD-HKR-000002-1	2
21	Straight connection 18 x 18-1.5			POD-HKR-000040	5
22	Straight connector 3/8 x 18-1.5 12LR			24KP3/8 18	4
23	Bolt 5 x 20 galv. 8.8 82105			POD-ELZ-000645	2
24	Screw 6 x 20 galv. 82208			23W6/20OC	1
25	Allen bolt 6 x 50 galv. 8.8 82302			POD-ELZ-000752	2
26	Bolt 8 x 20 galv. 8.8 82105 82105			23S8/20OC 8.8	2
27	Screw 16 x 45 galv. 8.8 82105 82105			23S16/45OC	8
28	Round washer, 5.3 galv. 82005 82005			23P5,3OC 82005	4
29	Spring washer 8.2 galv. 82008 82008			23P8SPOC	2

**Key:**

**14\*, 16\*** – included in: Set No. 42-4, the N272/3 VIKING 14T spreader with a hydraulic brake - **POD-HPR-000553**

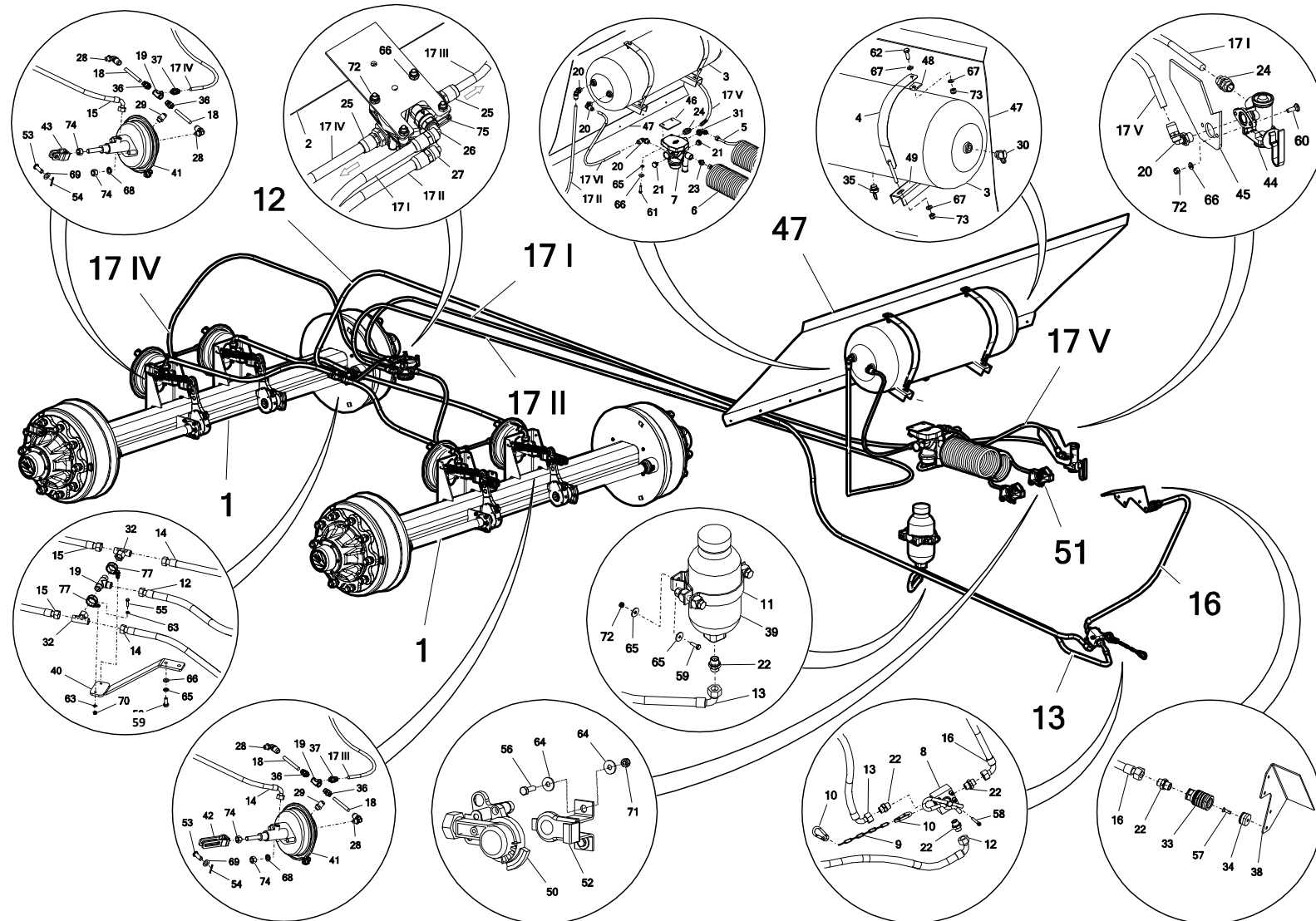


### 36. HYDRAULIC BRAKING SYSTEM – STEERING AXLE



No.	Part or assembly name	Fig. or index No.			
		N272/3	Volume	N272/6	Volume
30	Round washer 8 galv. 82005 82005			23P8OOC	2
31	Round washer 16 galv. 82005 82005			23P16OOC	16
32	Self-locking nut M5 galv. 82175 8			POD-ELZ-000471	32
33	Self-locking nut M16 galv. 82175 8 82175 8			23NS16OC	8
34	Self-locking nut M8, galv. 82175 8			23NS8OC	2
35	Wiring support			N272-6 18.00.01	1

**37. HYDRAULIC-PNEUMATIC BRAKING SYSTEM**



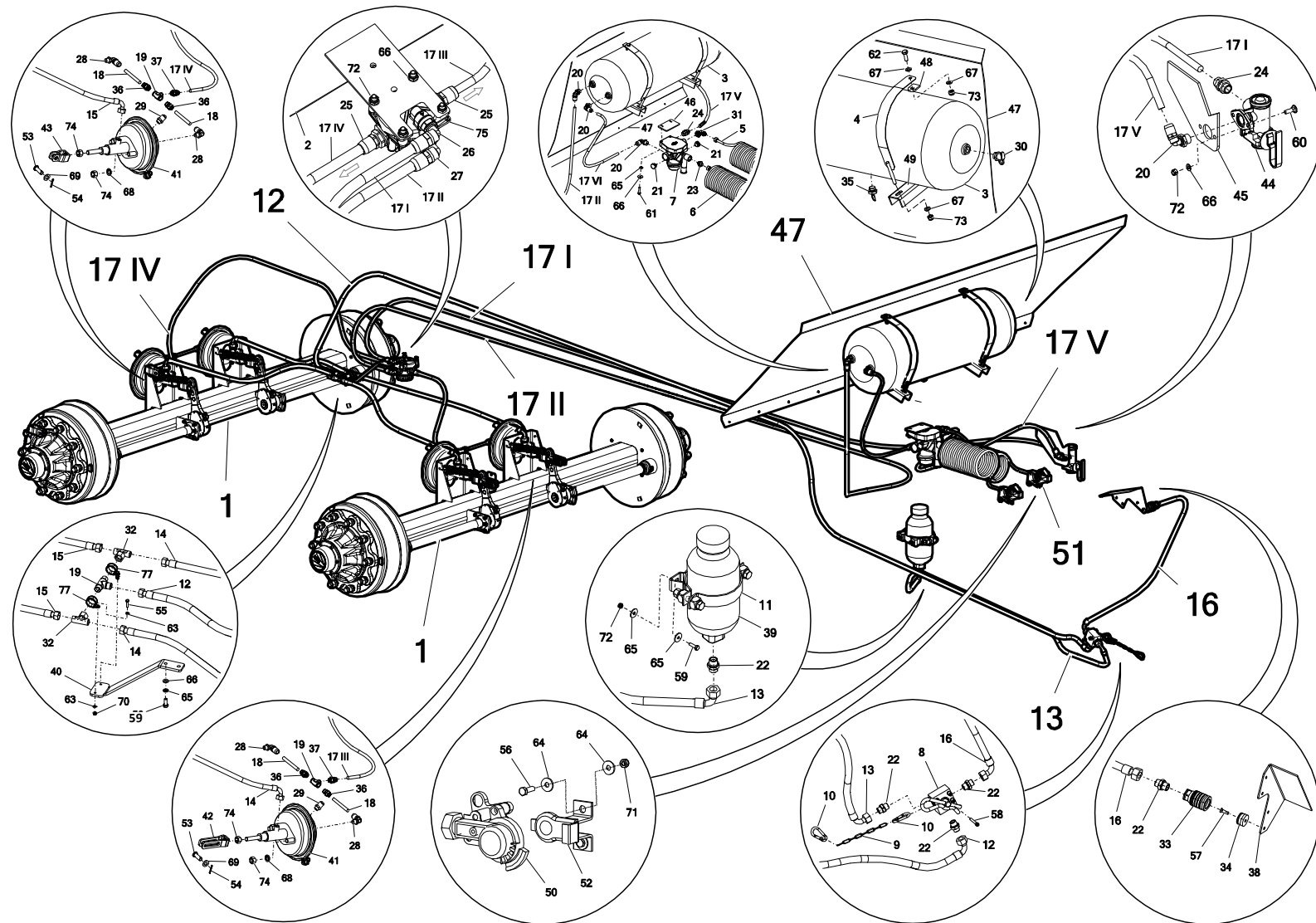
No.	Part or assembly name	Fig. or index No.			
		N272/3	Volume	N272/6	Volume
1	Universal axle, complete	N272-3 02.04.00.1	2	—————	—
	Axle AS3UF1VCN013 2000/130/280/335/10xM22/406x120 TDB 361-061-11 ADR	—————	—	POD-KOS-000264	2
2	Complete frame (VIKING) N272-3 02.00.00.1	N272-3 02.00.00.1	2	N272-6 01.00.00.2	2
3	Air tank 60 l, diam. 276 x 1100 VB3406/276 or 152760602, 12.5 bar KNORR	POD-OGL-000632	1	POD-OGL-000632	1
4	Tank clamping ring N274 01.05.00	N274 01.05.00	2	N274 01.05.00	2
5*	M16 spiral pneumatic hose, yellow, MAR	POD-OGL-001098	1	POD-OGL-001098	1
6*	M16 spiral pneumatic hose, red, MAR		1		1
7*	Trailer brake valve KNORR BREMSE		1		1
8	Brakes - emergency valve 900409 (21003208)	POD-HPZ-000118	1	POD-HPZ-000118	1
9	Clamping chain diam. 2 mm	25LS	1	25LS	1
10	Snap hook with nuts diam. 6 mm galv.	POD-ELZ-000484	2	POD-ELZ-000484	2
11	Brakes - battery clamping 0.75L and 1.5L (21001623)	POD-HPZ-000116	1	POD-HPZ-000116	1
12*	Hydraulic hose AA/211/10 L-5200	POD-HPR-000811	1	POD-HPR-000811	1
13*	Hydraulic hose AA90/211/10 L-3000		1		1

**Key:**

**5\* -7\*** – included in: KNORR braking system type N UNIVERSAL, manual adjustment, VALVES without rear connections - **POD-OGL-001098**

**12\*, 13\*** – included in: Set No. 42-4.1, the N272/3 VIKING 14T spreader with a hydraulic-pneumatic brake - **POD-HPR-000811**

### 37. HYDRAULIC-PNEUMATIC BRAKING SYSTEM



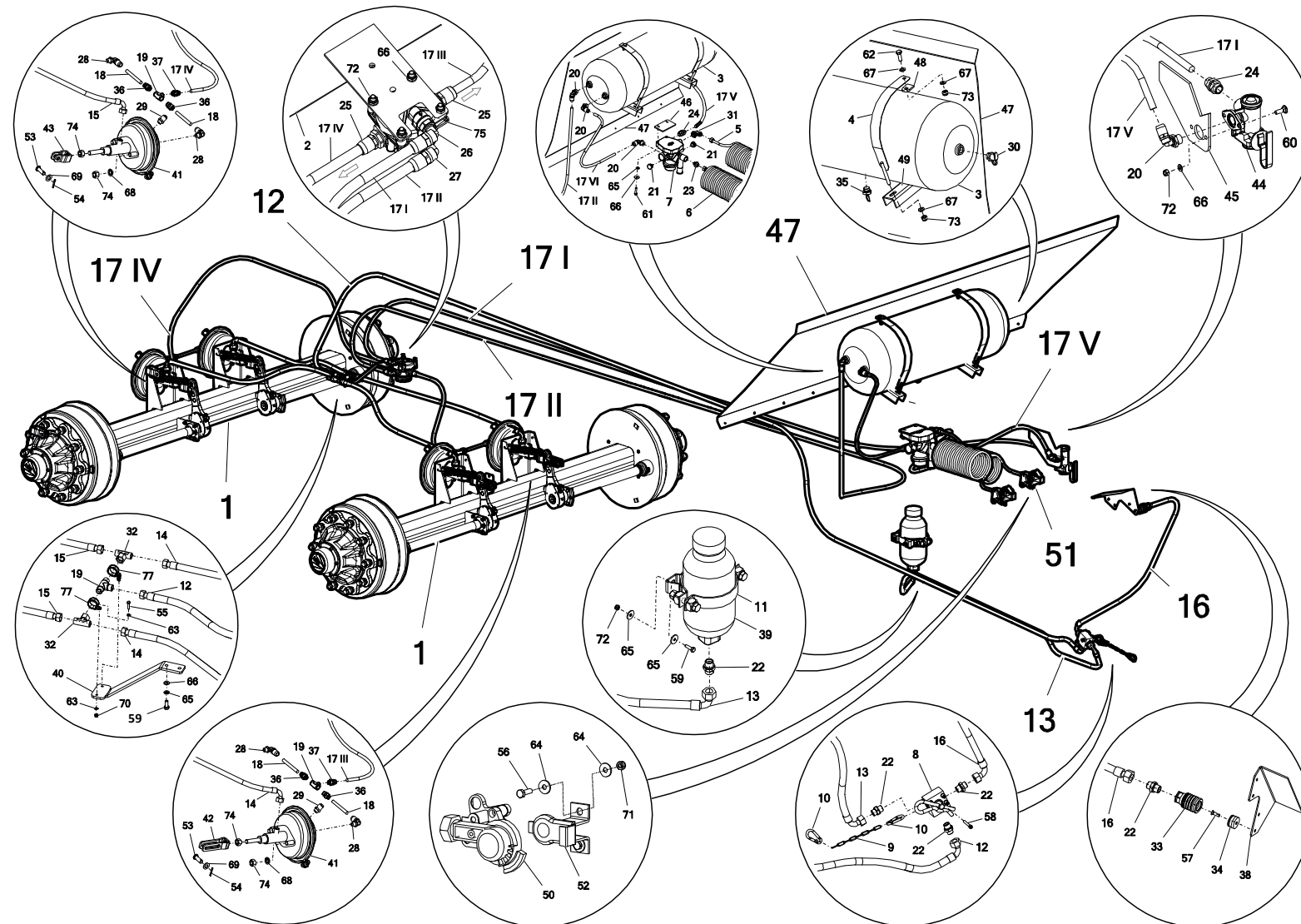
No.	Part or assembly name	Fig. or index No.			
		N272/3	Volume	N272/6	Volume
14*	Hydraulic hose AA90/211/10 L-1000	POD-HPR-000811	2	POD-HPR-000811	2
15*	Hydraulic hose AA90/211/10 L-1300		2		2
16*	Hydraulic hose AA90/211/10 L-1500		1		1
17 I	Tecalan tube DN15 x 1.5 (10 m)	POD-TSZ-000051	0.5 m	POD-TSZ-000051	0.5 m
17 II			4.5 m		4.5 m
17 III			0.5 m		0.5 m
17 IV			1.5 m		1.5 m
17 V			2.5 m		2.5 m
17 VI			0.5 m		0.5 m
18	Tecalan tube DN12 x 1.5	POD-TSZ-000050	1 m		1 m
19	T-connector 18 x 18 x 18 12L	24KT18/18/18	1	24KT18/18/18	1
20*	Pneumatic elbow M22-12 x 1.5 TK12	POD-OGL-001115	4	POD-OGL-001115	4
21*	Pneumatic plug M22		2		2
22	Straight connection 18 x 18-1.5	POD-HKR-000040	5	POD-HKR-000040	5
23*	Straight pneumatic connector M16-M16	POD-OGL-001115	1	POD-OGL-001115	1

**Key:**

**14\* -16\*** – included in: Set No. 42-4.1, the N272/3 VIKING 14T spreader with a hydraulic-pneumatic brake - **POD-HPR-000811**

**20\*, 21\*, 23\*** – included in: KNORR brake system for the N272/3 spreader, CONNECTORS - **POD-OGL-001115**

### 37. HYDRAULIC-PNEUMATIC BRAKING SYSTEM



No.	Part or assembly name	Fig. or index No.			
		N272/3	Volume	N272/6	Volume
24*	Bulkhead reducer M22 x 1.5-M22 x 1.5, int. M16 x 1.5	POD-OGL-001115	2	POD-OGL-001115	2
25*	Straight connector 22 x 1.5 / diam. 15		2		2
26*	Pneumatic elbow M16 TK15		1		1
27*	Pneumatic elbow M22-15 x 1.5 TK15		1		1
28*	Pneumatic elbow M16-12 x 1.5		4		4
29*	Pneumatic control connector M16 x 1.5		4		4
30*	Pneumatic control connector M22 x 1.5		1		1
31*	Pneumatic elbow M22-18 x 1.5		1		1
32	T-connector 18 x 18 x 18-1.5 with a top nut	POD-HKR-000002-1	2	POD-HKR-000002-1	2
33	Quick release coupling 900410 (21001462)	POD-HPZ-000117	1	POD-HPZ-000117	1
34	Quick release coupling base		1		1
35*	Drain valve M22 x 1.5 KNORR	POD-OGL-001095	1	POD-OGL-001095	1
36*	Straight pneumatic connector M16 TK12	POD-OGL-001115	8	POD-OGL-001115	8
37*	Straight pneumatic connector M16 TK15		2		2

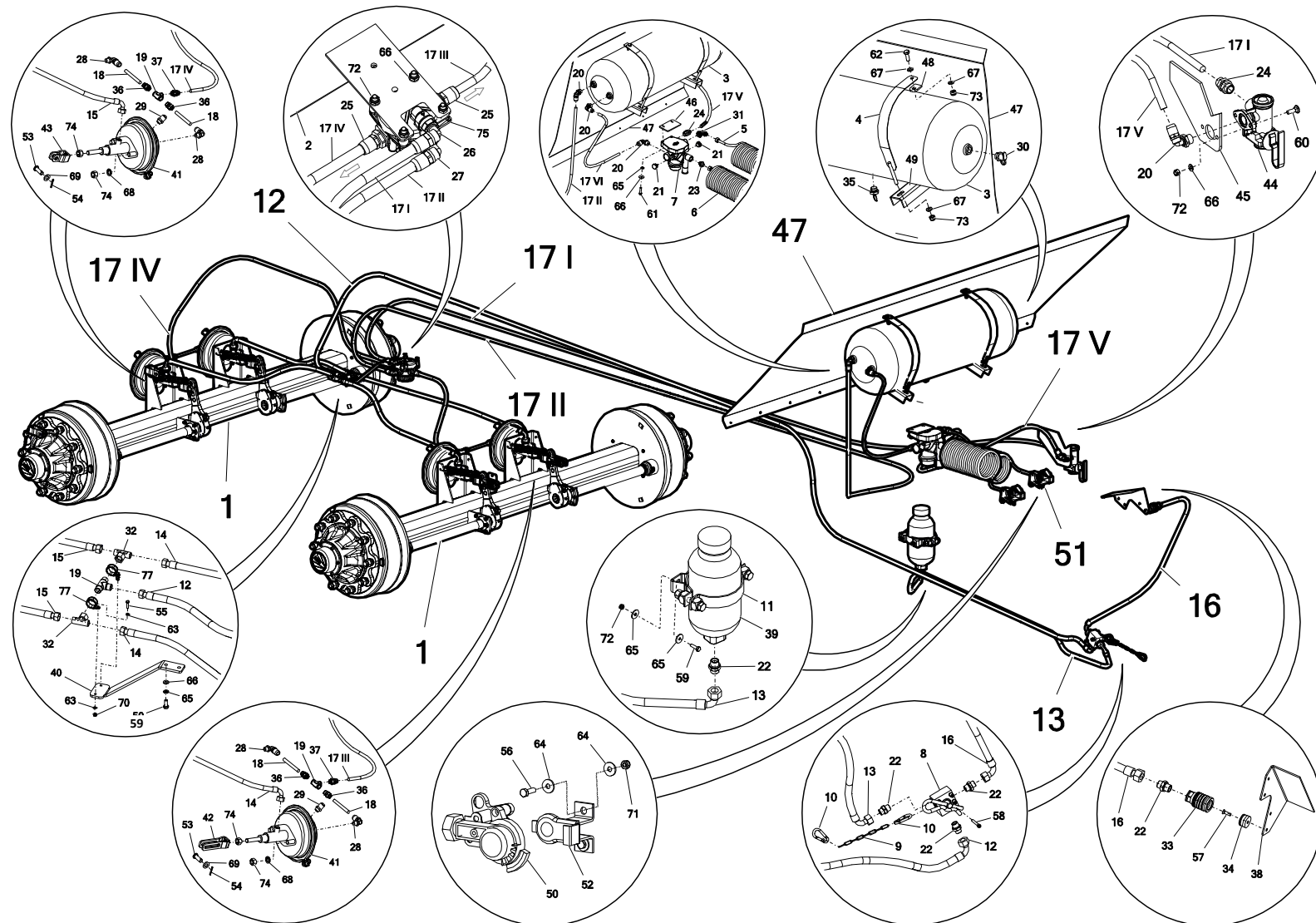
**Key:**

**24\*- 31\*, 36\*- 37\*** - included in: KNORR brake system for the N272/3 spreader, CONNECTORS - **POD-OGL-001115**

**35\*** - included in: KNORR braking system of the N272-3.6 VIKING spreader with ALB CONNECTIONS - **POD-OGL-001095**



### 37. HYDRAULIC-PNEUMATIC BRAKING SYSTEM



No.	Part or assembly name	Fig. or index No.			
		N272/3	Volume	N272/6	Volume
38*	Pneumatic hose mounting	N272-3 01.06.07	1	N272-3 01.06.07	1
39	Brakes - hydraulic battery 1.5 l (21001971) – 100 bar	POD-HPZ-000114	1	POD-HPZ-000114	1
40	Wiring support	N272-6 18.00.01	1	N272-6 18.00.01	1
41*	Hydraulic-pneumatic cylinder 24 BCDT2425 66782000415	POD-OGL-000904	4	POD-OGL-000904	4
42	Long forks for HALDEX/KNORR membrane cylinder	POD-OGL-000615	2	POD-OGL-000615	2
43*	Short forks for HALDEX/KNORR membrane cylinder	POD-OGL-000904	2	POD-OGL-000904	2
44*	3-position manual braking-force regulator Haldex	POD-OGL-001098	1	POD-OGL-001098	1
45	Distributor lever mounting	N272-3 03.01.121	1	N272-3 03.01.121	1
46	Air valve mounting	N272-3 03.01.120.1	1	N272-3 03.01.120.1	1
47*	Tensioner guard	N272-3 03.01.13	1	N272-3 03.01.13	1
48*	Clamping ring mounting eye	N274 01.01.79	2	N274 01.01.79	2
49*	Tank support	N274 01.01.65	2	N274 01.01.65	2

**Key:**

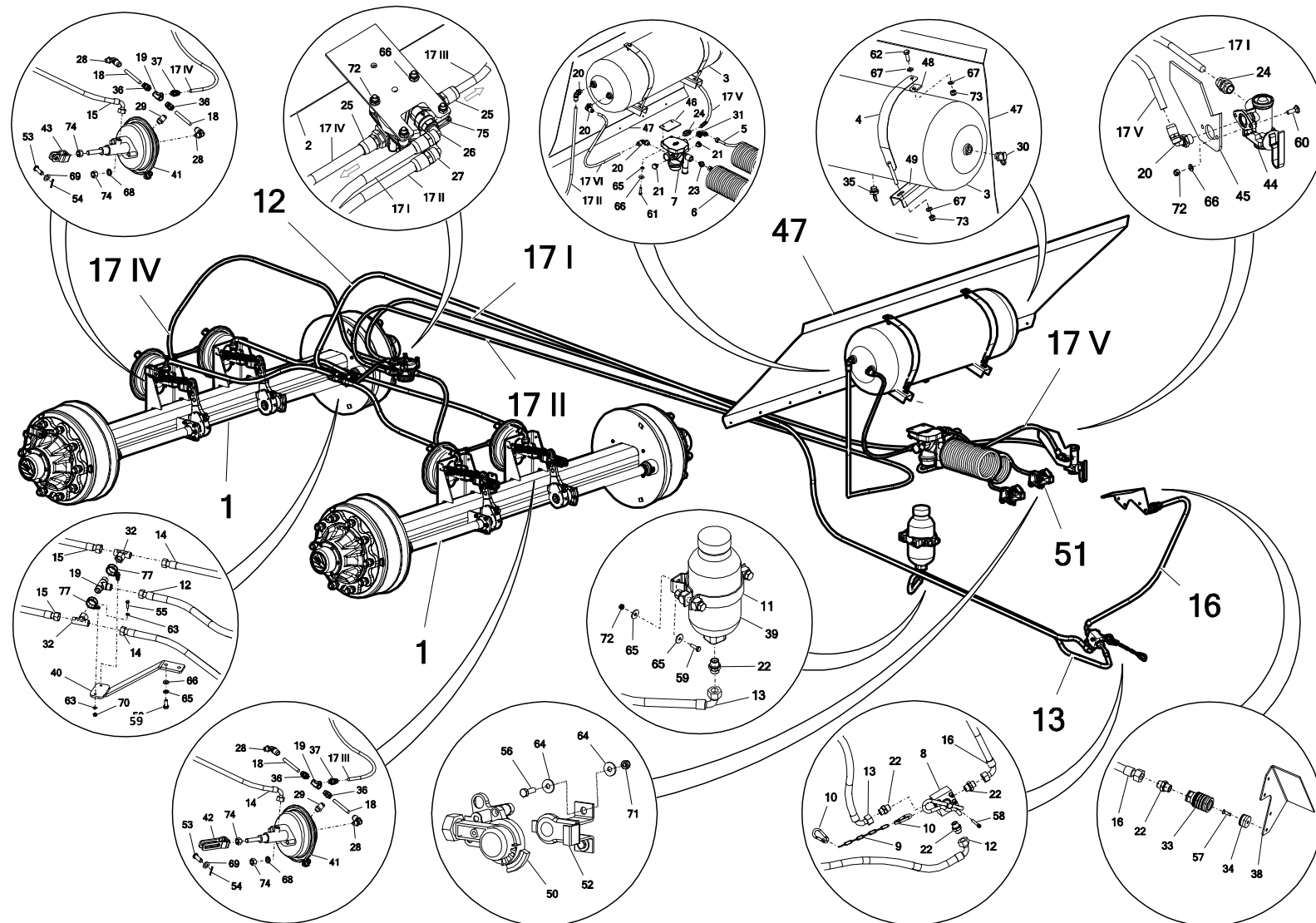
**38\*** - inseparable part of the cable bracket - **N272-3 01.06.00.1**

**44\*** - included in: KNORR braking system type N UNIVERSAL, manual adjustment, VALVES without rear connections - **POD-OGL-001098**

**45\*, 48\*, 47\*, 49\*** - inseparable part of the body - **N272-3 03.01.00.4**

**41\*, 43\*** - inseparable part of the hydraulic-pneumatic cylinder - **POD-OGL-000904**

### 37. HYDRAULIC-PNEUMATIC BRAKING SYSTEM



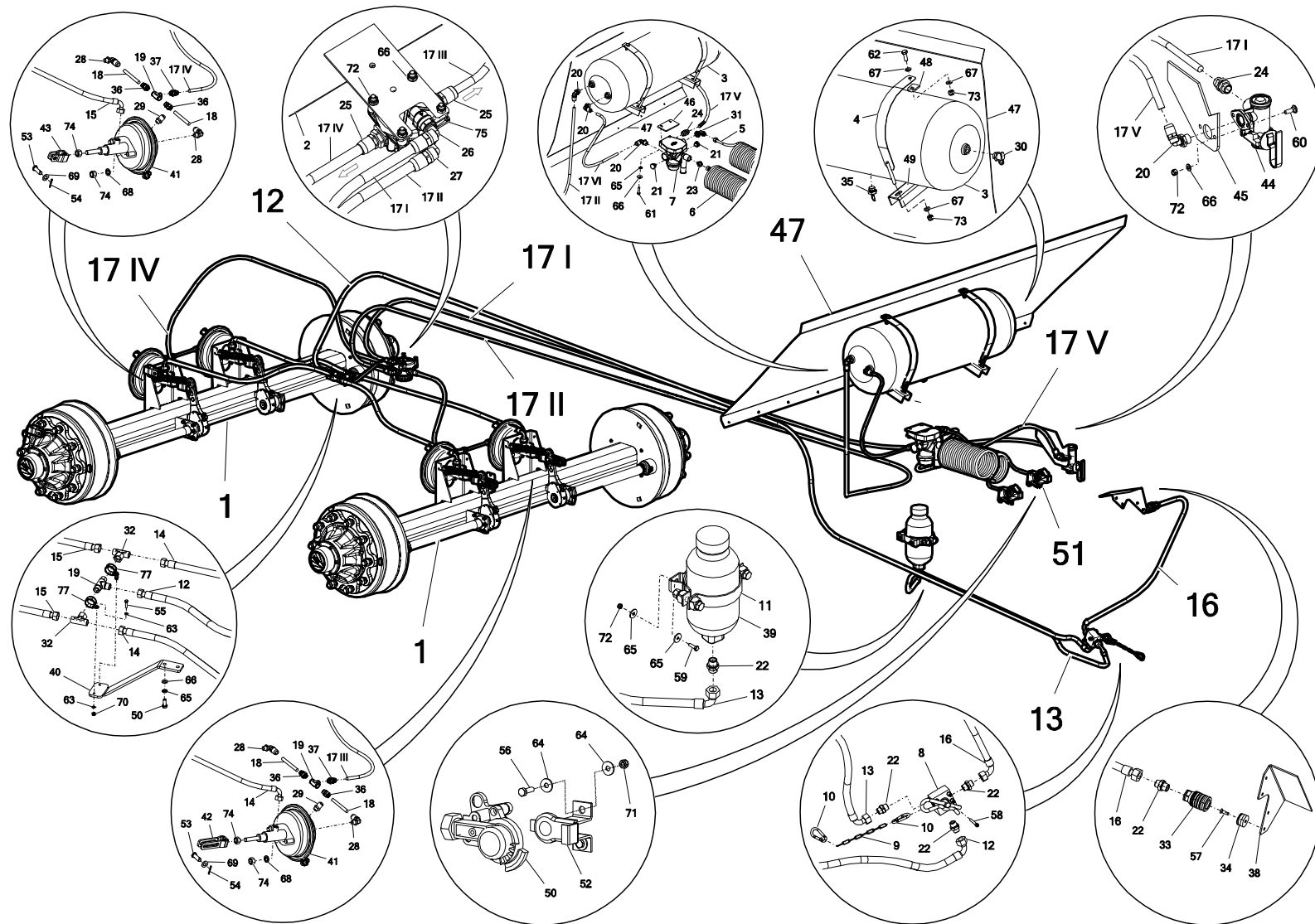
No.	Part or assembly name	Fig. or index No.			
		N272/3	Volume	N272/6	Volume
50*	HALDEX conduit connector, yellow, front	POD-OGL-001098	1	POD-OGL-001098	1
51*	HALDEX conduit connector, red, front		1		1
52*	Clamping ring for small heads		2		2
53*	Actuator Fork Bolt	POD-OGL-000904	4	POD-OGL-000904	4
54*	Cotter pin 4 x 32 galv.		4		4
55	Bolt 5 x 20 galv. 8.8 82105	POD-ELZ-000645	2	POD-ELZ-000645	2
56	Bolt 6 x 20 galv. 8.8 82105 82105 8.8	23S6/20	4	23S6/20	4
57	Screw 6 x 20 galv. 82208	23W6/20OC	1	23W6/20OC	1
58	Allen bolt 6 x 50 galv. 8.8 82302	POD-ELZ-000752	2	POD-ELZ-000752	2
59	Bolt 8 x 20 galv. 8.8 82105 82105	23S8/20OC 8.8	4	23S8/20OC 8.8	4
60	Bolt 8 x 30 galv. 8.8 82105 82105	23S8/30OC 8.8	2	23S8/30OC 8.8	2
61	Bolt 8 x 35 galv. 8.8 82105 82105	23S8/35OC 8.8	2	23S8/35OC 8.8	2
62	Bolt 10 x 30 galv. 8.8 82105 82105	23S10/30OC 8.8	2	23S10/30OC 8.8	2
63	Round washer, 5.3 galv. 82005 82005	23P5,3OC 82005	4	23P5,3OC 82005	4

**Key:**

**50\*- 52\*** - included in: KNORR braking system type N UNIVERSAL, manual adjustment, VALVES without rear connections - **POD-OGL-001098**

**53\*, 54\*** - inseparable part of the hydraulic-pneumatic cylinder - **POD-OGL-000904**

### 37. HYDRAULIC-PNEUMATIC BRAKING SYSTEM

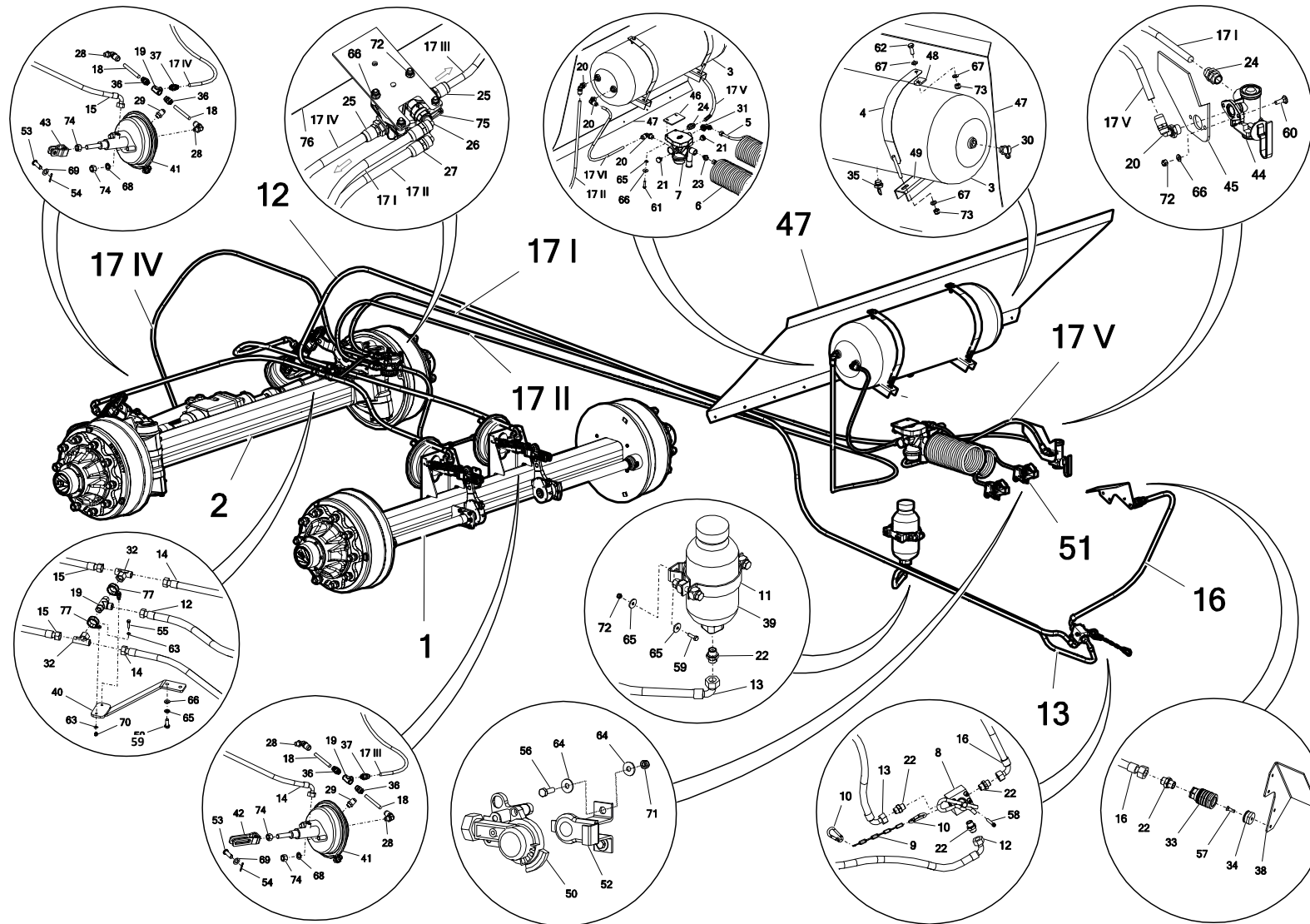


No.	Part or assembly name	Fig. or index No.			
		N272/3	Volume	N272/6	Volume
64	Round washer 6 galv. coated 82030	23P6OC030	8	23P6OC030	8
65	Spring washer 8.2 galv. 82008 82008	23P8SPOC	4	23P8SPOC	4
66	Round washer 8 galv. coated 82019	23P8 82019OC	4	23P8 82019OC	4
67	Round washer 30 galv. 82005 82005	23P10 82005	6	23P10 82005	6
68	Spring washer 16.3 galv. 82008 82008	23P16SP	8	23P16SP	8
69*	HALDEX - cylinder washer 30	POD-OGL-000904	4	POD-OGL-000904	4
70	Self-locking nut M5 galv. 82175 8	POD-ELZ-000471	32	POD-ELZ-000471	32
71	Self-locking nut M6 galv. 82175 8 82175 8	23NS6OC	4	23NS6OC	4
72	Self-locking nut M8 galv. 82175 8 82175 8	23NS8OC	8	23NS8OC	8
73	Self-locking nut M10 galv. 82175 8 82175 8	23NS10OC	4	23NS10OC	4
74	Nut M16 galv. 8.8 82144 5 82144 5	23N16OC	12	23N16OC	12
75	Relay valve KNORR	POD-OGL-000850	1	POD-OGL-000850	1

**Key:**

**69\*** - inseparable part of the hydraulic-pneumatic cylinder - **POD-OGL-000904**

### 38. HYDRAULIC-PNEUMATIC BRAKING SYSTEM - STEERING AXLE



No.	Part or assembly name	Fig. or index No.			
		N272/3	Volume	N272/6	Volume
1	Axle AS3UF1VCN013 2000/130/280/335/10xM22/406x120 TDB 361-061-11 ADR	—————	——	POD-KOS-000264	1
2	Steering axle C7S3UF1VC021 2000/130/280/335/10xM22/406x120 TDB 361-062-11 ADR			POD-KOS-000263	1
3	Air tank 60l, diam. 276 x 1100 VB3406/276 or 152760602, 12.5 bar KNORR			POD-OGL-000632	1
4	Tank clamping ring N274 01.05.00			N274 01.05.00	2
5*	M16 spiral pneumatic hose, yellow, MAR				1
6*	M16 spiral pneumatic hose, red, MAR				1
7*	Trailer brake valve KNORR BREMSE				1
8	Brakes - emergency valve 900409 (21003208)			POD-HPZ-000118	1
9	Clamping chain diam. 2 mm			25LS	1
10	Snap hook with nuts diam. 6 mm galv.			POD-ELZ-000484	2
11	Brakes - battery clamping 0.75L and 1.5L (21001623)			POD-HPZ-000116	1
12*	Hydraulic hose AA/211/10 L-5200			POD-HPR-000811	1
13*	Hydraulic hose AA90/211/10 L-3000				1

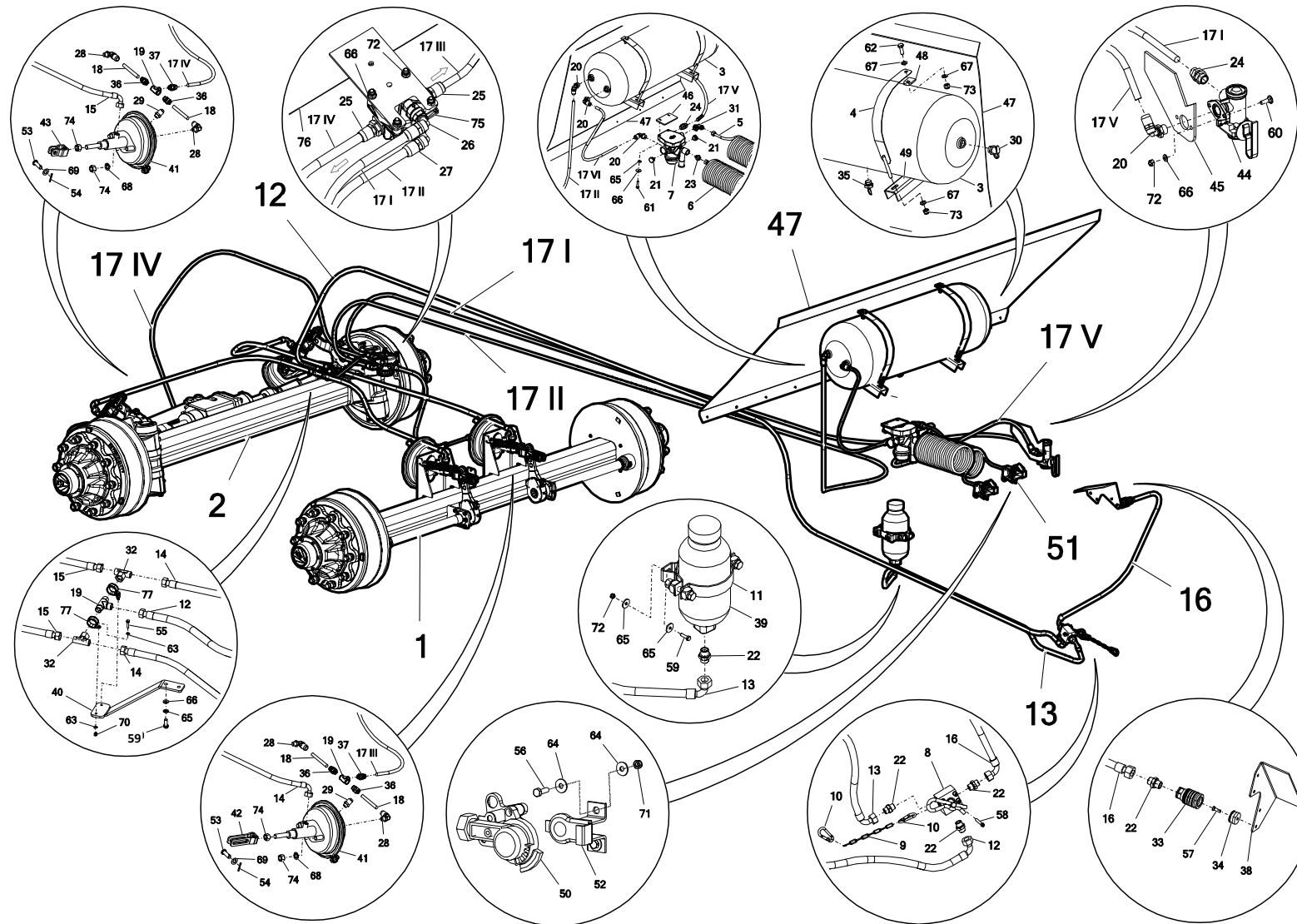
**Key:**

**5\*- 7\*** - included in: KNORR braking system type N UNIVERSAL, manual adjustment, VALVES without rear connections - **POD-OGL-001098**

**12\*, 13\*** – included in: Set No. 42-4.1, the N272/3 VIKING 14T spreader with a hydraulic-pneumatic brake - **POD-HPR-000811**



### 38. HYDRAULIC-PNEUMATIC BRAKING SYSTEM - STEERING AXLE



No.	Part or assembly name	Fig. or index No.					
		N272/3	Volume	N272/6	Volume		
14*	Hydraulic hose AA90/211/10 L-1000	—	—	POD-HPR-000811	2		
15*	Hydraulic hose AA90/211/10 L-1300				2		
16*	Hydraulic hose AA90/211/10 L-1500				1		
17 I	Tecalan tube DN15 x 1.5 (10 m)			—	—	POD-TSZ-000051	0.5 m
17 II							4.5 m
17 III							0.5 m
17 IV							1.5 m
17 V							2.5 m
17 VI							0.5 m
18	Tecalan tube DN12 x 1.5			—	—	POD-TSZ-000050	1 m
19	T-connector 18 x 18 x 18 12L					24KT18/18/18	1
20*	Pneumatic elbow M22-12 x 1.5 TK12					POD-OGL-001115	4
21*	Pneumatic plug M22						2
22	Straight connection 18 x 18-1.5	POD-HKR-000040	5				
23*	Straight pneumatic connector M16-M16	POD-OGL-001115	1				

**Key:**

**14\*- 16\*** - included in: Set No. 42-4.1, the N272/3 VIKING 14T spreader with a hydraulic-pneumatic brake - **POD-HPR-000811**

**20\*, 21\*, 23\*** – included in: KNORR brake system for the N272/3 spreader, CONNECTORS - **POD-OGL-001115**



No.	Part or assembly name	Fig. or index No.			
		N272/3	Volume	N272/6	Volume
24*	Bulkhead reducer M22 x 1.5-M22 x 1.5, int. M16 x 1.5	—————	———	POD-OGL-001115	2
25*	Straight connector 22 x 1.5 / diam. 15				2
26*	Pneumatic elbow M16 TK15				1
27*	Pneumatic elbow M22-15 x 1.5 TK15				1
28*	Pneumatic elbow M16-12 x 1.5				4
29*	Pneumatic control connector M16 x 1.5				4
30*	Pneumatic control connector M22 x 1.5				1
31*	Pneumatic elbow M22-18 x 1.5				1
32	T-connector 18 x 18 x 18-1.5 with a top nut			POD-HKR-000002-1	2
33	Quick release coupling 900410 (21001462)			POD-HPZ-000117	1
34	Quick release coupling base				1
35	Drain valve M22 x 1.5 KNORR			POD-OGL-001095	1
36*	Straight pneumatic connector M16 TK12			POD-OGL-001115	8
37*	Straight pneumatic connector M16 TK15	2			

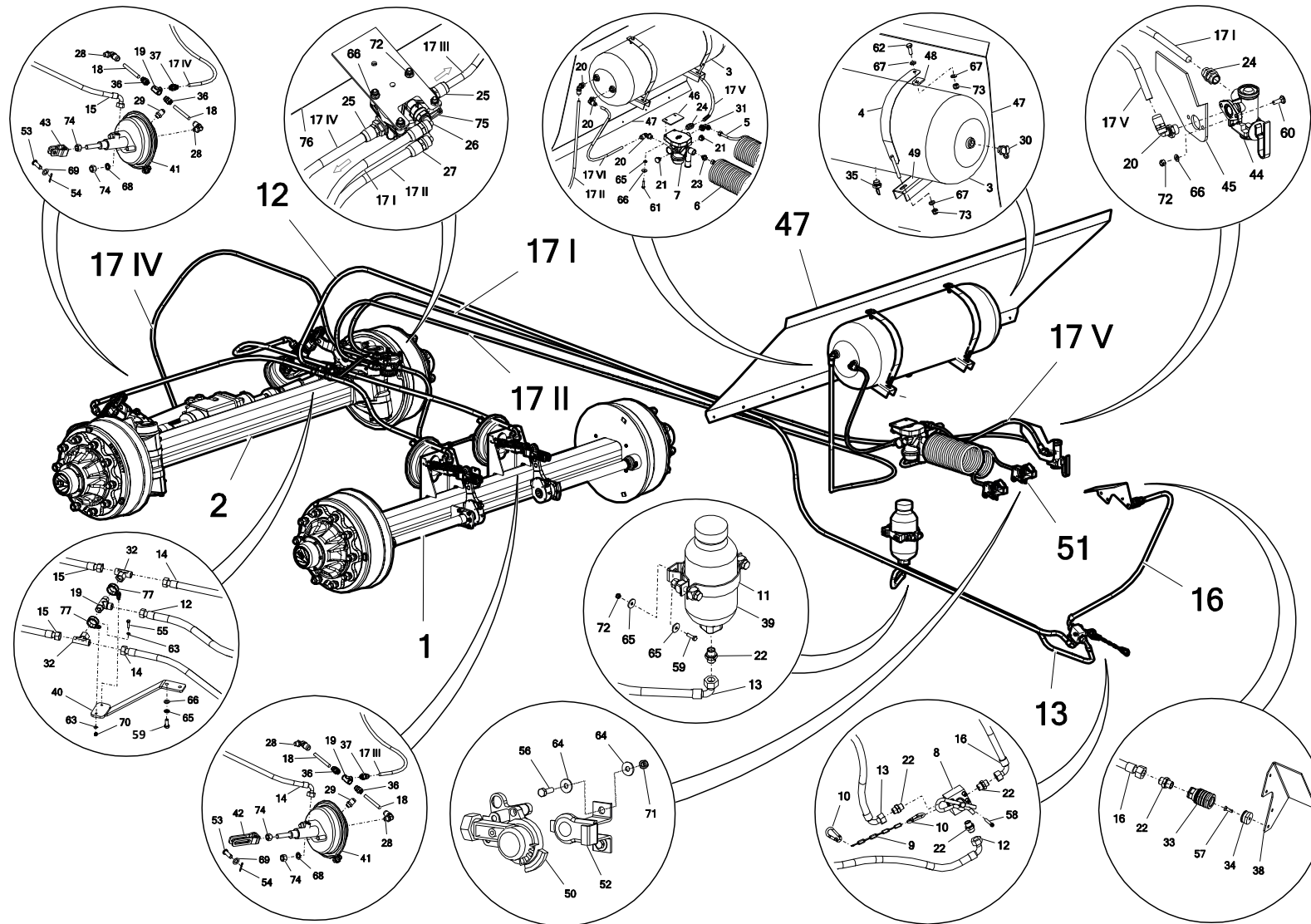
**Key:**

**24\*- 31\*, 36\*, 37\*** - included in: KNORR brake system for the N272/3 spreader, CONNECTORS - **POD-OGL-001115**

**35\*** - included in: KNORR braking system of the N272-3.6 VIKING spreader with ALB CONNECTIONS - **POD-OGL-001095**

**43\*** - inseparable part of the hydraulic-pneumatic cylinder - **POD-OGL-000904**

### 38. HYDRAULIC-PNEUMATIC BRAKING SYSTEM - STEERING AXLE



No.	Part or assembly name	Fig. or index No.			
		N272/3	Volume	N272/6	Volume
38*	Pneumatic hose mounting	—————	——	N272-3 01.06.07	1
39	Brakes - hydraulic battery 1.5 l (21001971) – 100 bar			POD-HPZ-000114	1
40	Wiring support			N272-6 18.00.01	1
41*	Hydraulic-pneumatic cylinder 24 BCDT2425 66782000415			POD-OGI-000904	4
42	Long forks for HALDEX/KNORR membrane cylinder			POD-OGI-000615	2
43*	Short forks for HALDEX/KNORR membrane cylinder			POD-OGI-000904	2
44*	3-position manual braking-force regulator Haldex			POD-OGI-001098	1
45*	Distributor lever mounting			N272-3 03.01.121	1
46	Air valve mounting			N272-3 03.01.120.1	1
47*	Tensioner guard			N272-3 03.01.13	1
48*	Clamping ring mounting eye			N274 01.01.79	2
49*	Tank support			N274 01.01.65	2

**Key:**

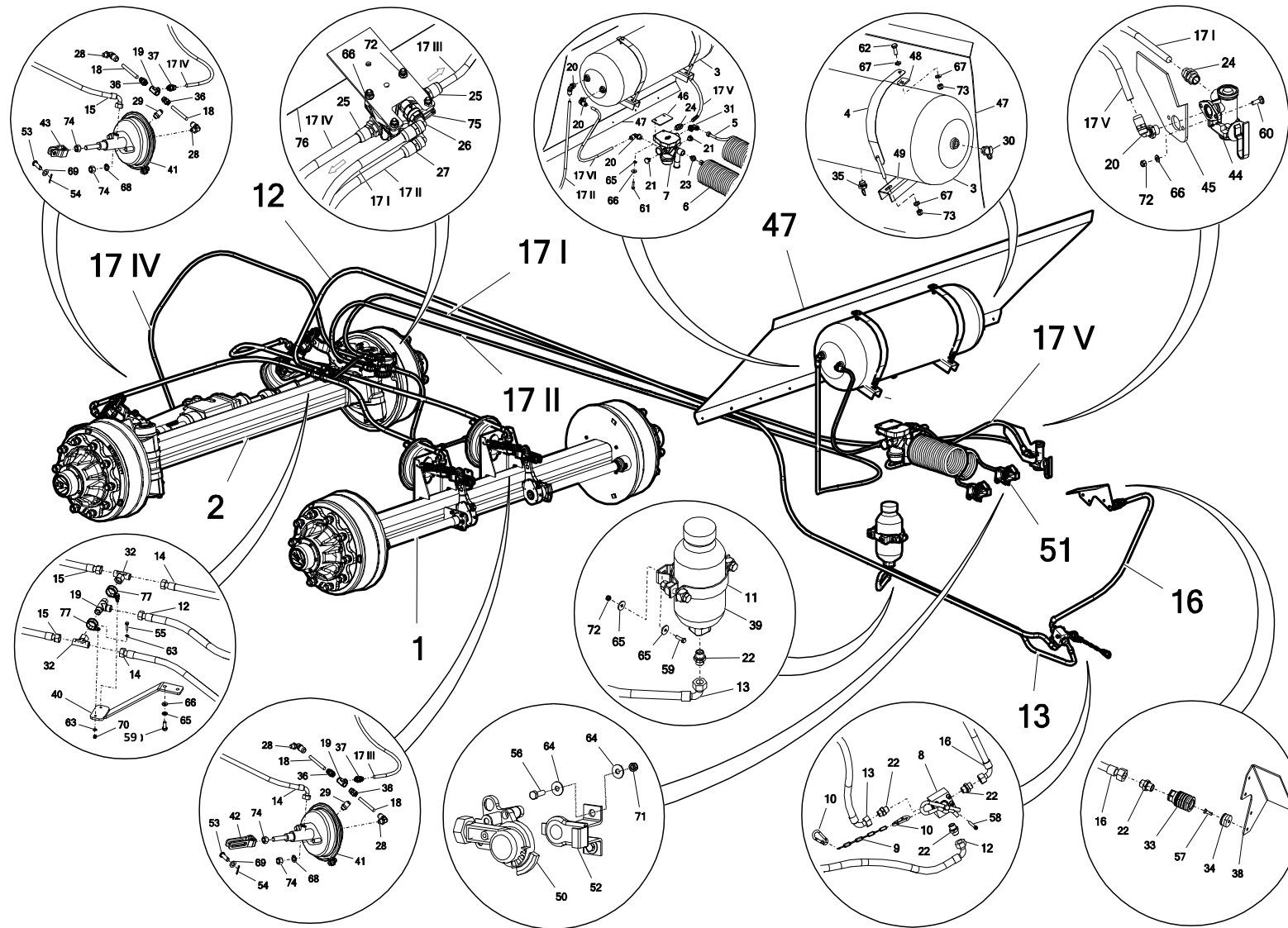
**38\*** - inseparable part of the cable bracket - **N272-3 01.06.00.1**

**44\*** - included in: KNORR braking system type N UNIVERSAL, manual adjustment, VALVES without rear connections - **POD-OGI-001098**

**45\*, 47\*, 48\*, 49\*** - inseparable part of the body - **N272-3 03.01.00.4**

**40\*, 43\*** - inseparable part of the hydraulic-pneumatic cylinder - **POD-OGI-000904**

### 38. HYDRAULIC-PNEUMATIC BRAKING SYSTEM - STEERING AXLE



No.	Part or assembly name	Fig. or index No.			
		N272/3	Volume	N272/6	Volume
50*	HALDEX conduit connector, yellow, front			POD-UGL-001098	1
51*	HALDEX conduit connector, red, front				1
52	Clamping ring for small heads				2
53*	Actuator Fork Bolt			POD-UGL-000904	4
54*	Cotter pin 4 x 32 galv.				4
55	Bolt 5 x 20 galv. 8.8 82105			POD-ELZ-000645	2
56	Bolt 6 x 20 galv. 8.8 82105 82105 8.8			23S6/20	4
57	Screw 6 x 20 galv. 82208			23W6/20OC	1
58	Allen bolt 6 x 50 galv. 8.8 82302			POD-ELZ-000752	2
59	Bolt 8 x 20 galv. 8.8 82105 82105			23S8/20OC 8.8	4
60	Bolt 8 x 30 galv. 8.8 82105 82105			23S8/30OC 8.8	2
61	Bolt 8 x 35 galv. 8.8 82105 82105			23S8/35OC 8.8	2
62	Bolt 10 x 30 galv. 8.8 82105 82105			23S10/30OC 8.8	2
63	Round washer, 5.3 galv. 82005 82005			23P5,3OC 82005	4
64	Round washer 6 galv. coated 82030			23P6OC030	8
65	Spring washer 8.2 galv. 82008 82008			23P8SPOC	4

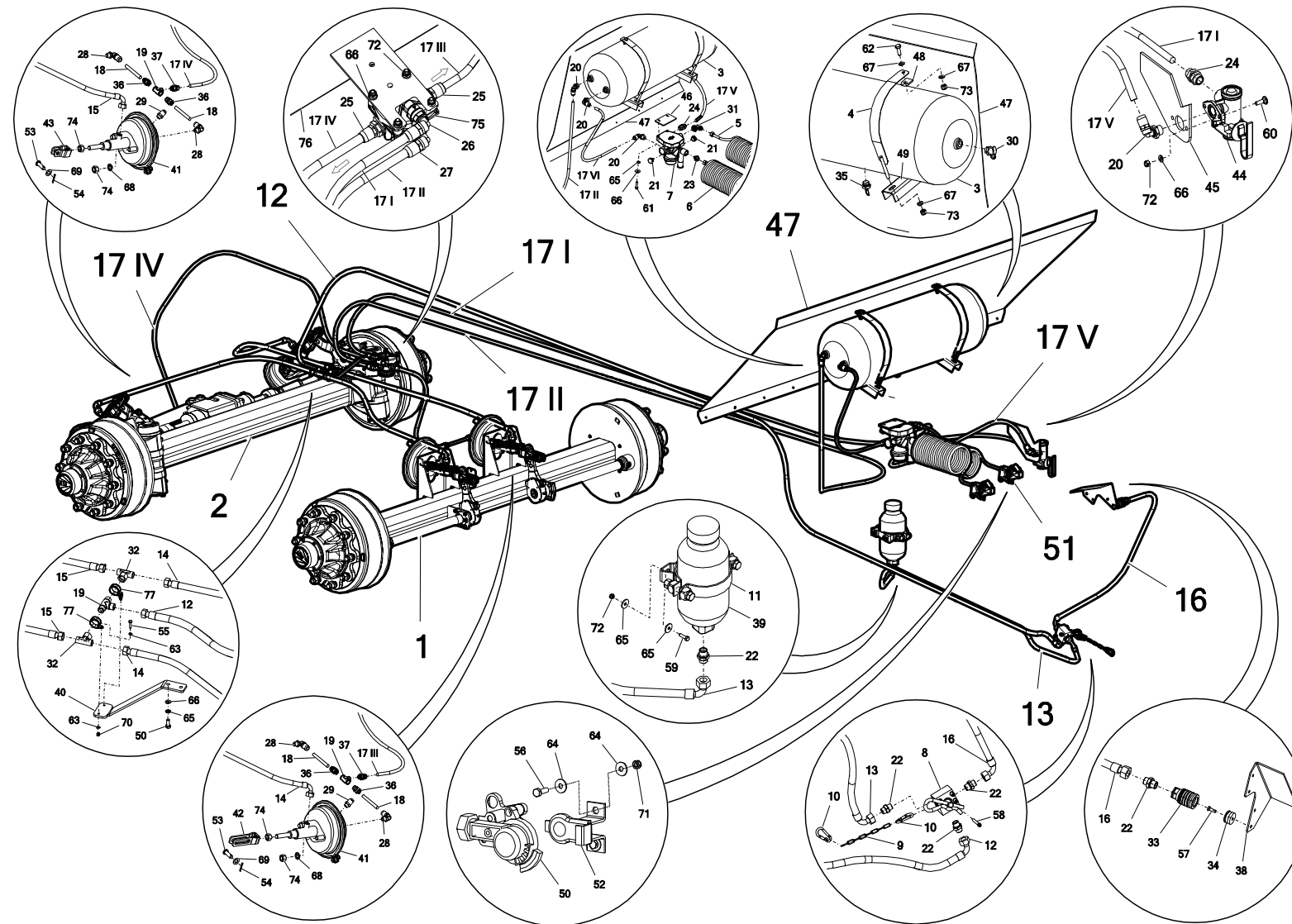
**Key:**

**50\*, 51\*** – included in: KNORR braking system type N UNIVERSAL, manual adjustment, VALVES without rear connections - **POD-UGL-001098**

**53\*, 54\*** - inseparable part of the hydraulic-pneumatic cylinder - **POD-UGL-000904**



### 38. HYDRAULIC-PNEUMATIC BRAKING SYSTEM - STEERING AXLE

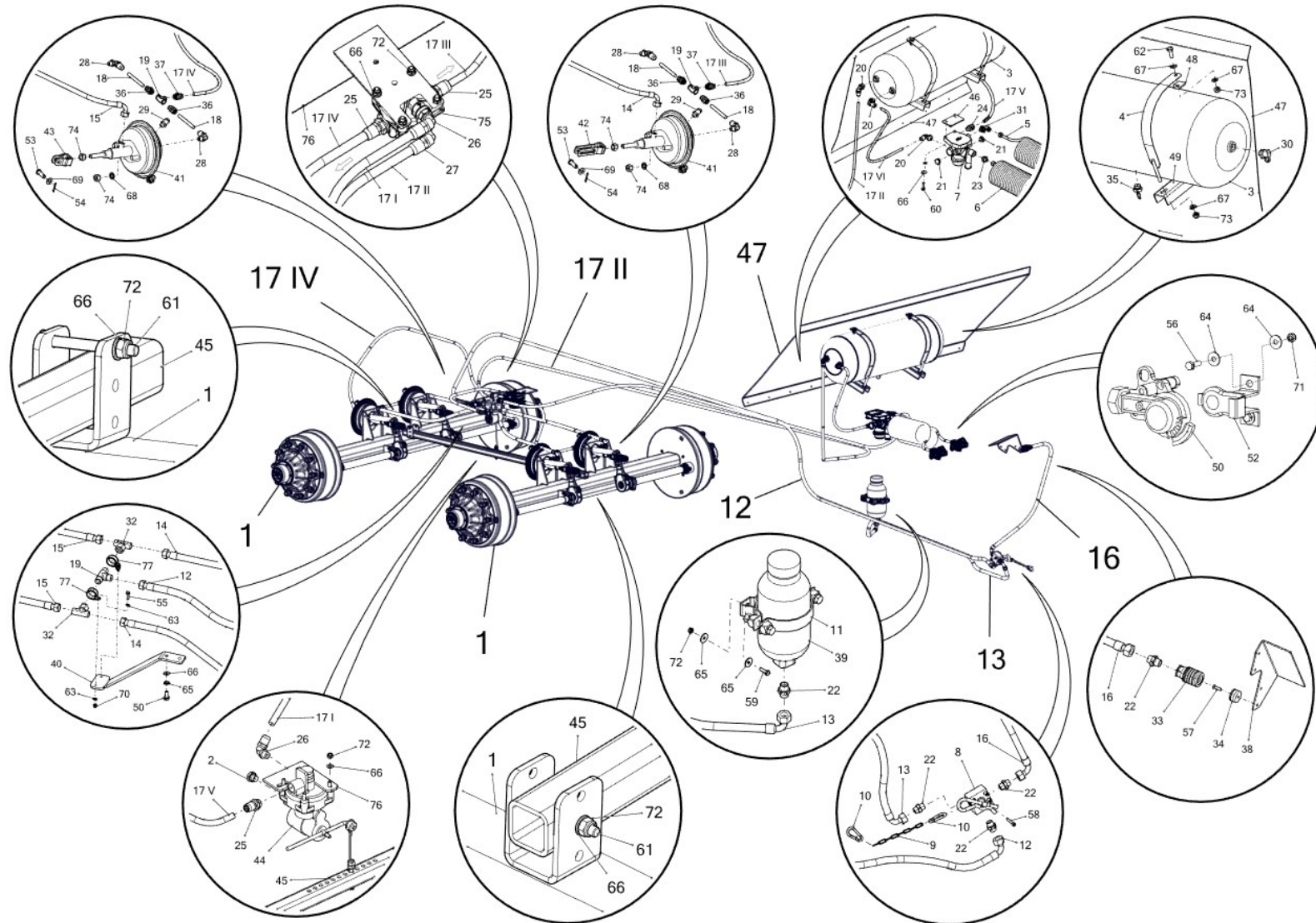


No.	Part or assembly name	Fig. or index No.			
		N272/3	Volume	N272/6	Volume
66	Round washer 8 galv. coated 82019	—————	——	23P8 82019OC	4
67	Round washer 30 galv. 82005 82005			23P10 82005	6
68	Spring washer 16.3 galv. 82008 82008			23P16SP	8
69*	HALDEX - cylinder washer 30			POD-OGL-000904	4
70	Self-locking nut M5 galv. 82175 8			POD-ELZ-000471	32
71	Self-locking nut M6 galv. 82175 8 82175 8			23NS6OC	4
72	Self-locking nut M8 galv. 82175 8 82175 8			23NS8OC	8
73	Self-locking nut M10 galv. 82175 8 82175 8			23NS10OC	4
74	Nut M16 galv. 8.8 82144 5 82144 5			23N16OC	12
75	Relay valve KNORR			POD-OGL-000850	1
76	Lower frame			N272-6 01.00.00.2	1

**Key:**

**69\*** - inseparable part of the hydraulic-pneumatic cylinder - **POD-OGL-000904**

### 39. HYDRAULIC-PNEUMATIC BRAKING SYSTEM WITH ALB

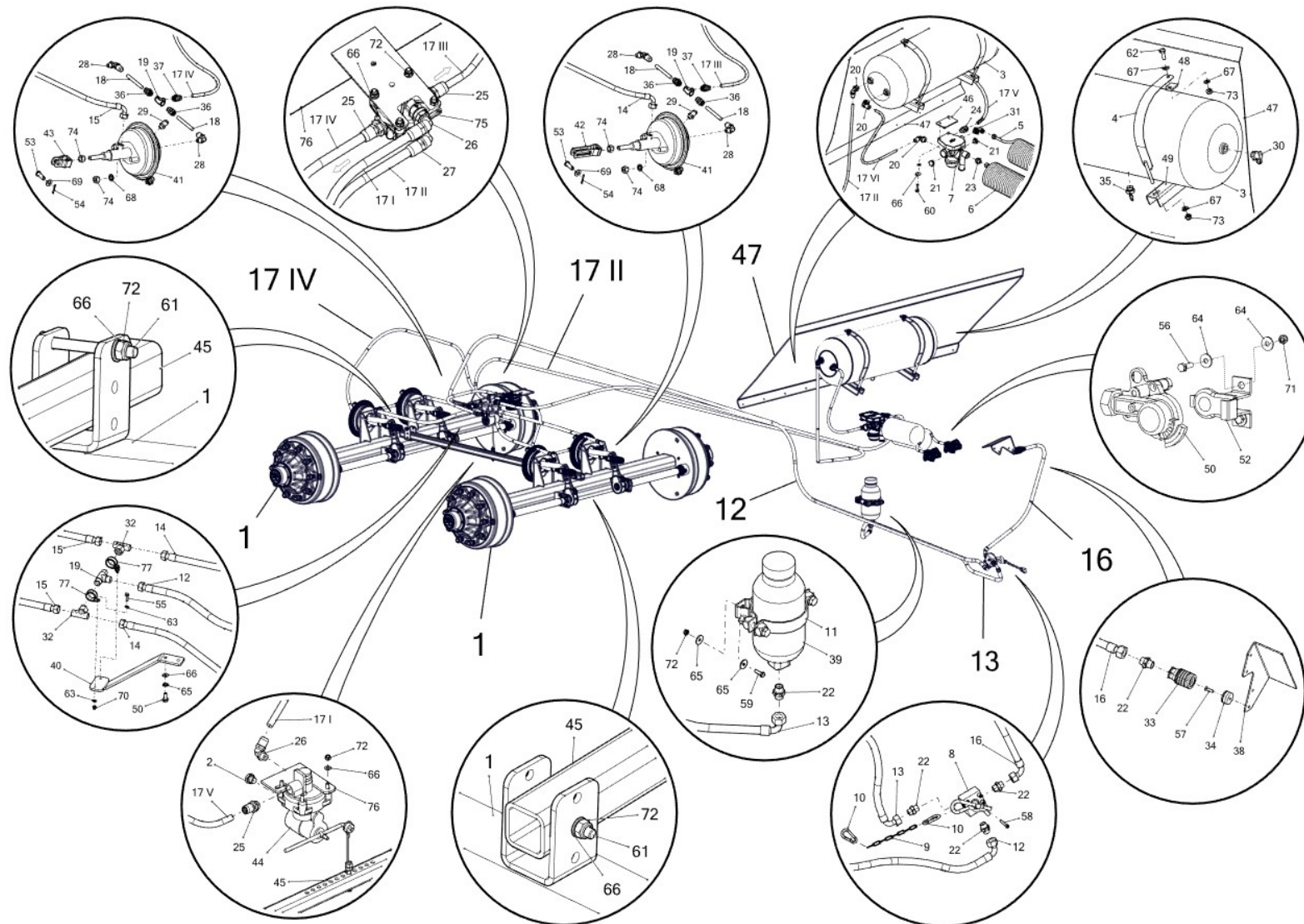


No.	Part or assembly name	Fig. or index No.			
		N272/3	Volume	N272/6	Volume
1	Universal axle, complete	N272-3 02.04.00.1	2	—————	—
	Axle AS3UF1VCN013 2000/130/280/335/10xM22/406x120 TDB 361-061-11 ADR	—————	—	POD-KOS-000264	2
2	Pneumatic plug M16	POD-PZŁ-000036	1	POD-PZŁ-000036	1
3	Air tank 60l, diam. 276 x 1100 VB3406/276 or 152760602, 12.5 bar KNORR	POD-OGL-000632	1	POD-OGL-000632	1
4	Tank clamping ring N274 01.05.00	N274 01.05.00	2	N274 01.05.00	2
5*	M16 spiral pneumatic hose, yellow, MAR	POD-OGL-001098	1	POD-OGL-001098	1
6*	M16 spiral pneumatic hose, red, MAR		1		1
7*	Trailer brake valve KNORR BREMSE		1		1
8	Brakes - emergency valve 900409 (21003208)	POD-HPZ-000118	1	POD-HPZ-000118	1
9	Clamping chain diam. 2 mm	25LS	1	25LS	1
10	Snap hook with nuts diam. 6 mm galv.	POD-ELZ-000484	2	POD-ELZ-000484	2
11	Brakes - battery clamping 0.75L and 1.5L (21001623)	POD-HPZ-000116	1	POD-HPZ-000116	1

**Key:**

**5\*- 7\*** - included in: KNORR braking system type N UNIVERSAL, manual adjustment, VALVES without rear connections - **POD-OGL-001098**

### 39. HYDRAULIC-PNEUMATIC BRAKING SYSTEM WITH ALB



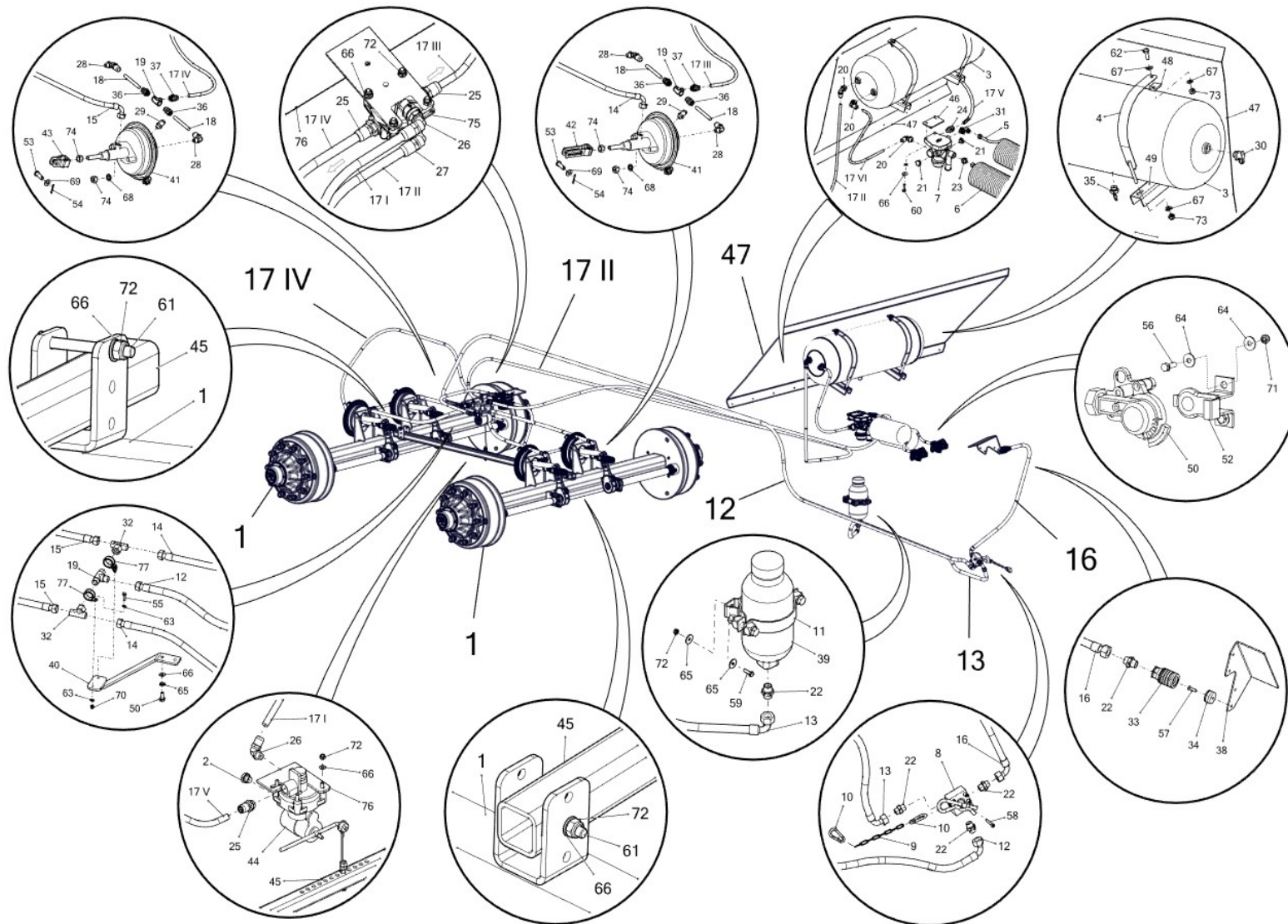
No.	Part or assembly name	Fig. or index No.			
		N272/3	Volume	N272/6	Volume
12*	Hydraulic hose AA/211/10 L-5200	POD-HPR-000811	1	POD-HPR-000811	1
13*	Hydraulic hose AA90/211/10 L-3000		1		1
14*	Hydraulic hose AA90/211/10 L-1000		2		2
15*	Hydraulic hose AA90/211/10 L-1300		2		2
16*	Hydraulic hose AA90/211/10 L-1500		1		1
17 I	Tecalan tube DN15 x 1.5 (10 m)	POD-TSZ-000051	0.5 m	POD-TSZ-000051	0.5 m
17 II			4.5 m		4.5 m
17 III			0.5 m		0.5 m
17 IV			1.5 m		1.5 m
17 V			2.5 m		2.5 m
17 VI			0.5 m		0.5 m
18	Tecalan tube DN12 x 1.5	POD-TSZ-000050	1 m	POD-TSZ-000050	1 m
19	T-connector 18 x 18 x 18 12L	24KT18/18/18	1	24KT18/18/18	1
20*	Pneumatic elbow M22-12 x 1.5 TK12	POD-OGL-001115	4	POD-OGL-001115	4
21*	Pneumatic plug M22		2		2
22	Straight connection 18 x 18-1.5	POD-HKR-000040	5	POD-HKR-000040	5

**Key:**

**12\* -16\*** – included in: Set No. 42-4.1, the N272/3 VIKING 14T spreader with a hydraulic-pneumatic brake - **POD-HPR-000811**

**20\*, 21\*** – included in: KNORR brake system for the N272/3 spreader, CONNECTORS - **POD-OGL-001115**

### 39. HYDRAULIC-PNEUMATIC BRAKING SYSTEM WITH ALB



No.	Part or assembly name	Fig. or index No.			
		N272/3	Volume	N272/6	Volume
23*	Straight pneumatic connector M16-M16	POD-OGL-001115	1	POD-OGL-001115	1
24*	Bulkhead reducer M22 x 1.5-M22 x 1.5, int. M16 x 1.5		2		2
25*	Straight connector 22 x 1.5 / diam. 15		2		2
26*	Pneumatic elbow M16 TK15		1		1
27*	Pneumatic elbow M22-15 x 1.5 TK15		1		1
28*	Pneumatic elbow M16-12 x 1.5		4		4
29*	Pneumatic control connector M16 x 1.5		4		4
30*	Pneumatic control connector M22 x 1.5		1		1
31*	Pneumatic elbow M22-18 x 1.5		1		1
32	T-connector 18 x 18 x 18-1.5 with a top nut		POD-HKR-000002-1		2
33	Quick release coupling 900410 (21001462)	POD-HPZ-000117	1	POD-HPZ-000117	1
34	Quick release coupling base		1		1
35*	Drain valve M22 x 1.5 KNORR	POD-OGL-001095	1	POD-OGL-001095	1
36*	Straight pneumatic connector M16 TK12	POD-OGL-001115	8	POD-OGL-001115	8
37*	Straight pneumatic connector M16 TK15		2		2

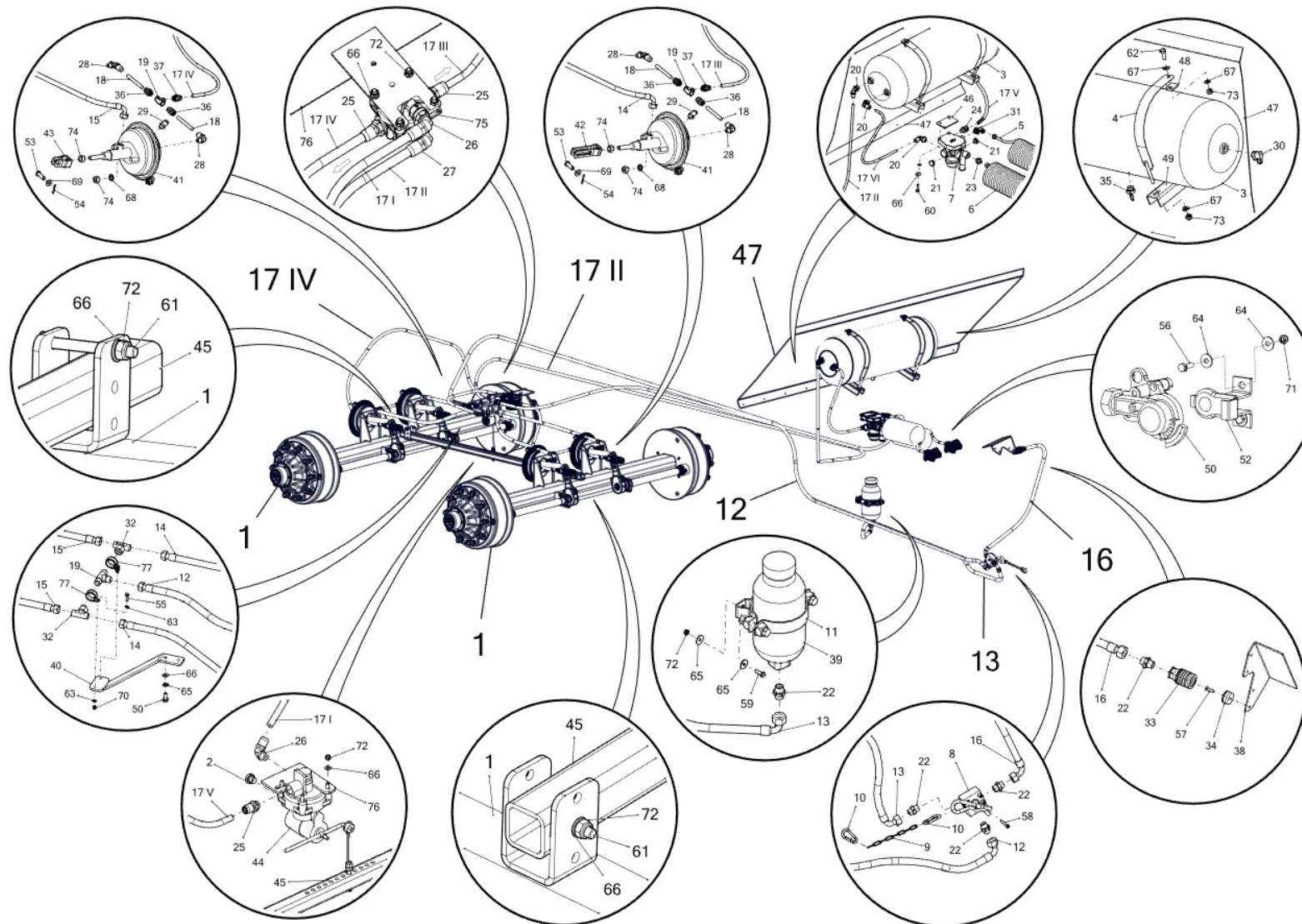
**Key:**

**23\*- 31\*, 23\*, 37\*** - included in: KNORR brake system for the N272/3 spreader, CONNECTORS - **POD-OGL-001115**

**35\*** - included in: KNORR braking system of the N272-3.6 VIKING spreader with ALB CONNECTIONS - **POD-OGL-001095**



### 39. HYDRAULIC-PNEUMATIC BRAKING SYSTEM WITH ALB



No.	Part or assembly name	Fig. or index No.			
		N272/3	Volume	N272/6	Volume
38*	Pneumatic hose mounting	N272-3 01.06.07	1	N272-3 01.06.07	1
39	Brakes - hydraulic battery 1.5 l (21001971) – 100 bar	POD-HPZ-000114	1	POD-HPZ-000114	1
40	Wiring support	N272-6 18.00.01	1	N272-6 18.00.01	1
41*	Hydraulic-pneumatic cylinder 24 BCDT2425 66782000415	POD-OGL-000904	4	POD-OGL-000904	4
42	Long forks for HALDEX/KNORR membrane cylinder	POD-OGL-000615	2	POD-OGL-000615	2
43*	Short forks for HALDEX/KNORR membrane cylinder	POD-OGL-000904	2	POD-OGL-000904	2
44	Mechanical braking force regulator	POD-OGL-001094	1	POD-OGL-001094	1
45*	Lever ALB N272-6 02.04.09	N272-6 02.04.09	1	N272-6 02.04.09	1
46	Air valve mounting	N272-3 03.01.120.1	1	N272-3 03.01.120.1	1
47*	Tensioner guard	N272-3 03.01.13	1	N272-3 03.01.13	1
48*	Clamping ring mounting eye	N274 01.01.79	2	N274 01.01.79	2
49*	Tank support	N274 01.01.65	2	N274 01.01.65	2

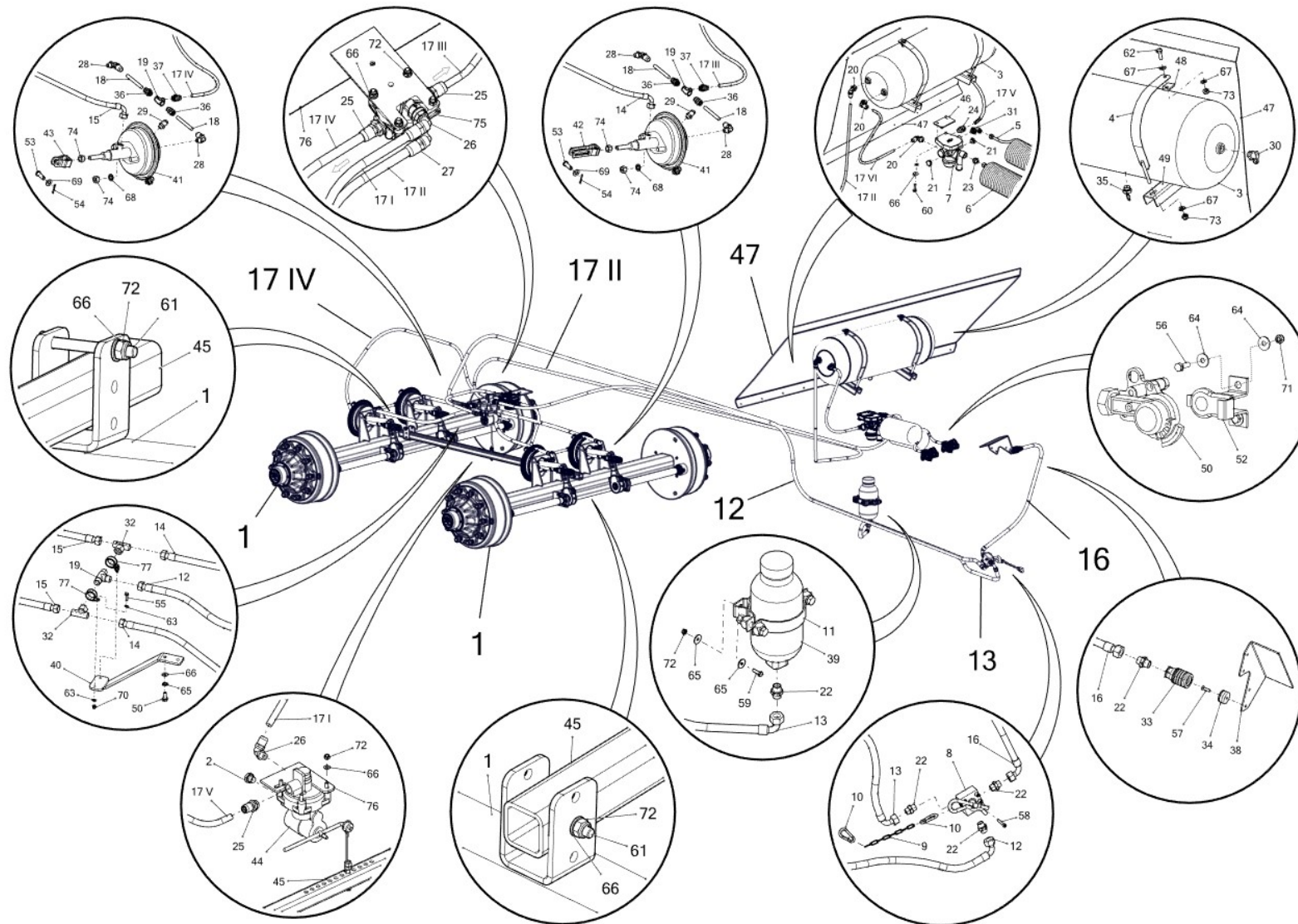
**Key:**

**38\*** - inseparable part of the cable bracket - **N272-3 01.06.00.1**

**41\*, 43\*** - inseparable part of the hydraulic-pneumatic cylinder - **POD-OGL-000904**

**45\*, 47\*, 48\*, 49\*** - inseparable part of the body - **N272-3 03.01.00.4**

### 39. HYDRAULIC-PNEUMATIC BRAKING SYSTEM WITH ALB



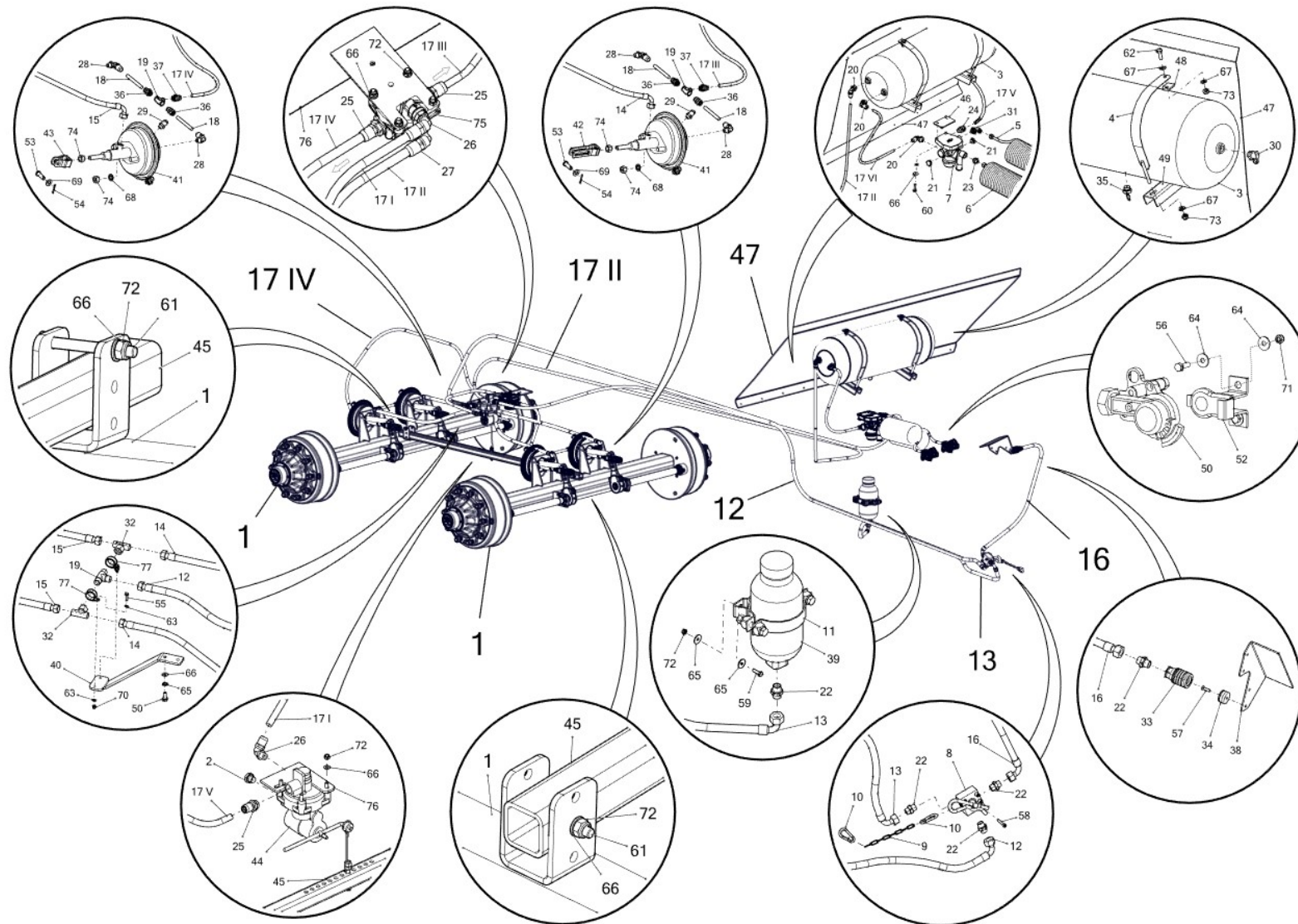
No.	Part or assembly name	Fig. or index No.			
		N272/3	Volume	N272/6	Volume
50*	HALDEX conduit connector, yellow, front	POD-OGL-001098	1	POD-OGL-001098	1
51*	HALDEX conduit connector, red, front		1		1
52*	Clamping ring for small heads		2		2
53*	Actuator Fork Bolt	POD-OGL-000904	4	POD-OGL-000904	4
54*	Cotter pin 4 x 32 galv.		4		4
55	Bolt 5 x 20 galv. 8.8 82105	POD-ELZ-000645	2	POD-ELZ-000645	2
56	Bolt 6 x 20 galv. 8.8 82105 82105 8.8	23S6/20	4	23S6/20	4
57	Screw 6 x 20 galv. 82208	23W6/20OC	1	23W6/20OC	1
58	Allen bolt 6 x 50 galv. 8.8 82302	POD-ELZ-000752	2	POD-ELZ-000752	2
59	Bolt 8 x 20 galv. 8.8 82105 82105	23S8/20OC 8.8	4	23S8/20OC 8.8	4
60	Bolt 8 x 35 galv. 8.8 82105 82105	23S8/35OC 8.8	2	23S8/35OC 8.8	2
61	Bolt 8 x 70 galv. 8.8 82101 82101	23S8/70OC	2	23S8/70OC	2
62	Bolt 10 x 30 galv. 8.8 82105 82105	23S10/30OC 8.8	2	23S10/30OC 8.8	2
63	Round washer, 5.3 galv. 82005 82005	23P5,3OC 82005	4	23P5,3OC 82005	4
64	Round washer 6 galv. coated 82030	23P6OC030	8	23P6OC030	8

**Key:**

**53\*, 54\*** - inseparable part: Hydraulic-pneumatic cylinder - **POD-OGL-000904**

**50\*- 52\*** – included in: KNORR braking system type N UNIVERSAL, manual adjustment, VALVES without rear connections - **POD-OGL-001098**

### 39. HYDRAULIC-PNEUMATIC BRAKING SYSTEM WITH ALB



No.	Part or assembly name	Fig. or index No.			
		N272/3	Volume	N272/6	Volume
65	Spring washer 8.2 galv. 82008 82008	23P8SPOC	4	23P8SPOC	4
66	Round washer 8 galv. coated 82019	23P8 82019OC	4	23P8 82019OC	4
67	Round washer 30 galv. 82005 82005	23P10 82005	6	23P10 82005	6
68	Spring washer 16.3 galv. 82008 82008	23P16SP	8	23P16SP	8
69*	HALDEX - cylinder washer 30	POD-OGL-000904	4	POD-OGL-000904	4
70	Self-locking nut M5 galv. 82175 8	POD-ELZ-000471	32	POD-ELZ-000471	32
72	Self-locking nut M8 galv. 82175 8 82175 8	23NS8OC	8	23NS8OC	8
73	Self-locking nut M10 galv. 82175 8 82175 8	23NS10OC	4	23NS10OC	4
74	Nut M16 galv. 8.8 82144 5 82144 5	23N16OC	12	23N16OC	12
75	Relay valve KNORR	POD-OGL-000850	1	POD-OGL-000850	1
76	Lower frame	N272-3 01.00.00.1	1	N272-6 01.00.00.2	1

**Key:**

**69\*** - inseparable part of the hydraulic-pneumatic cylinder - **POD-OGL-000904**



No.	Part or assembly name	Fig. or index No.			
		N272/3	Volume	N272/6	Volume
1	Axle AS3UF1VCN013 2000/130/280/335/10xM22/406x120 TDB 361-061-11 ADR	_____	_____	POD-KOS-000264	1
2	Steering axle C7S3UF1VC021 2000/130/280/335/10xM22/406x120 TDB 361-062-11 ADR			POD-KOS-000263	1
3	Air tank 60l, diam. 276 x 1100 VB3406/276 or 152760602, 12.5 bar KNORR			POD-OGL-000632	1
4	Tank clamping ring N274 01.05.00			N274 01.05.00	2
5*	M16 spiral pneumatic hose, yellow, MAR				1
6*	M16 spiral pneumatic hose, red, MAR				1
7*	Trailer brake valve KNORR BREMSE				1
8	Brakes - emergency valve 900409 (21003208)			POD-HPZ-000118	1
9	Clamping chain diam. 2 mm			25LS	1
10	Snap hook with nuts diam. 6 mm galv.			POD-ELZ-000484	2
11	Brakes - battery clamping 0.75L and 1.5L (21001623)			POD-HPZ-000116	1
12*	Hydraulic hose AA/211/10 L-5200			POD-HPR-000811	1

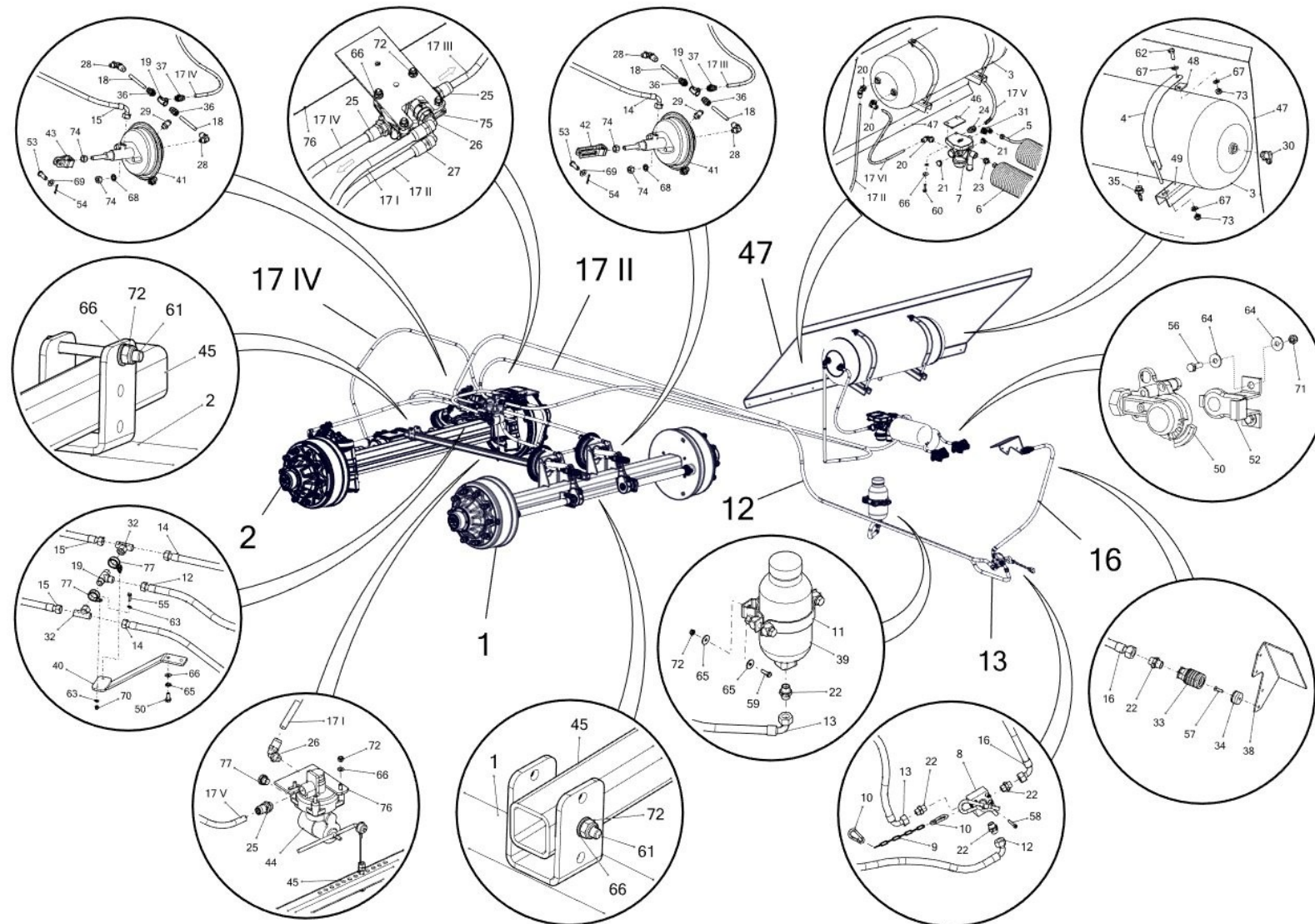
**Key:**

**5\*- 7\*** - included in: KNORR braking system type N UNIVERSAL, manual adjustment, VALVES without rear connections - **POD-OGL-001098**

**12\*** - included in: Set No. 42-4.1, the N272/3 VIKING 14T spreader with a hydraulic-pneumatic brake - **POD-HPR-000811**



### 40. HYDRAULIC-PNEUMATIC BRAKING SYSTEM WITH ALB – STEERING AXLE



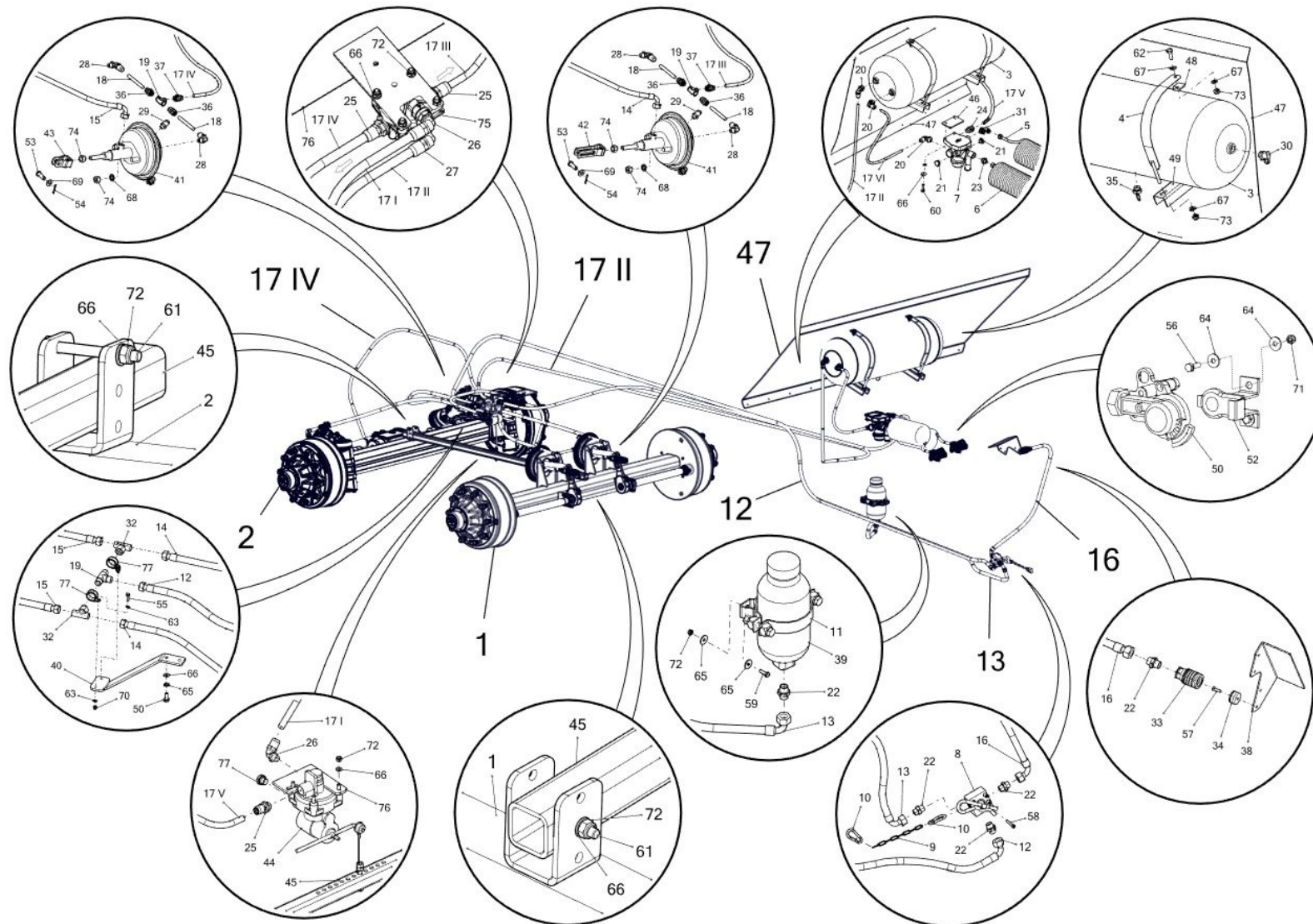
No.	Part or assembly name	Fig. or index No.					
		N272/3	Volume	N272/6	Volume		
13*	Hydraulic hose AA90/211/10 L-3000	—	—	POD-HPR-000811	1		
14*	Hydraulic hose AA90/211/10 L-1000				2		
15*	Hydraulic hose AA90/211/10 L-1300				2		
16*	Hydraulic hose AA90/211/10 L-1500				1		
17 I	Tecalán tube DN15 x 1.5 (10 m)			—	—	POD-TSZ-000051	0.5 m
17 II							4.5 m
17 III							0.5 m
17 IV							1.5 m
17 V							2.5 m
17 VI							0.5 m
18	Tecalán tube DN12 x 1.5			—	—	POD-TSZ-000050	1 m
19	T-connector 18 x 18 x 18 12L			—	—	24KT18/18/18	1
20*	Pneumatic elbow M22-12 x 1.5 TK12			—	—	POD-OGL-001115	4
21*	Pneumatic plug M22			—	—		2
22	Straight connection 18 x 18-1.5			—	—	POD-HKR-000040	5
23*	Straight pneumatic connector M16-M16			—	—	POD-OGL-001115	1

**Key:**

**13\*- 16\*** – included in: Set No. 42-4.1, the N272/3 VIKING 14T spreader with a hydraulic-pneumatic brake - **POD-HPR-000811**

**20\*, 21\*, 23\*** – included in: KNORR brake system for the N272/3 spreader, CONNECTORS - **POD-OGL-001115**

## 40. HYDRAULIC-PNEUMATIC BRAKING SYSTEM WITH ALB – STEERING AXLE



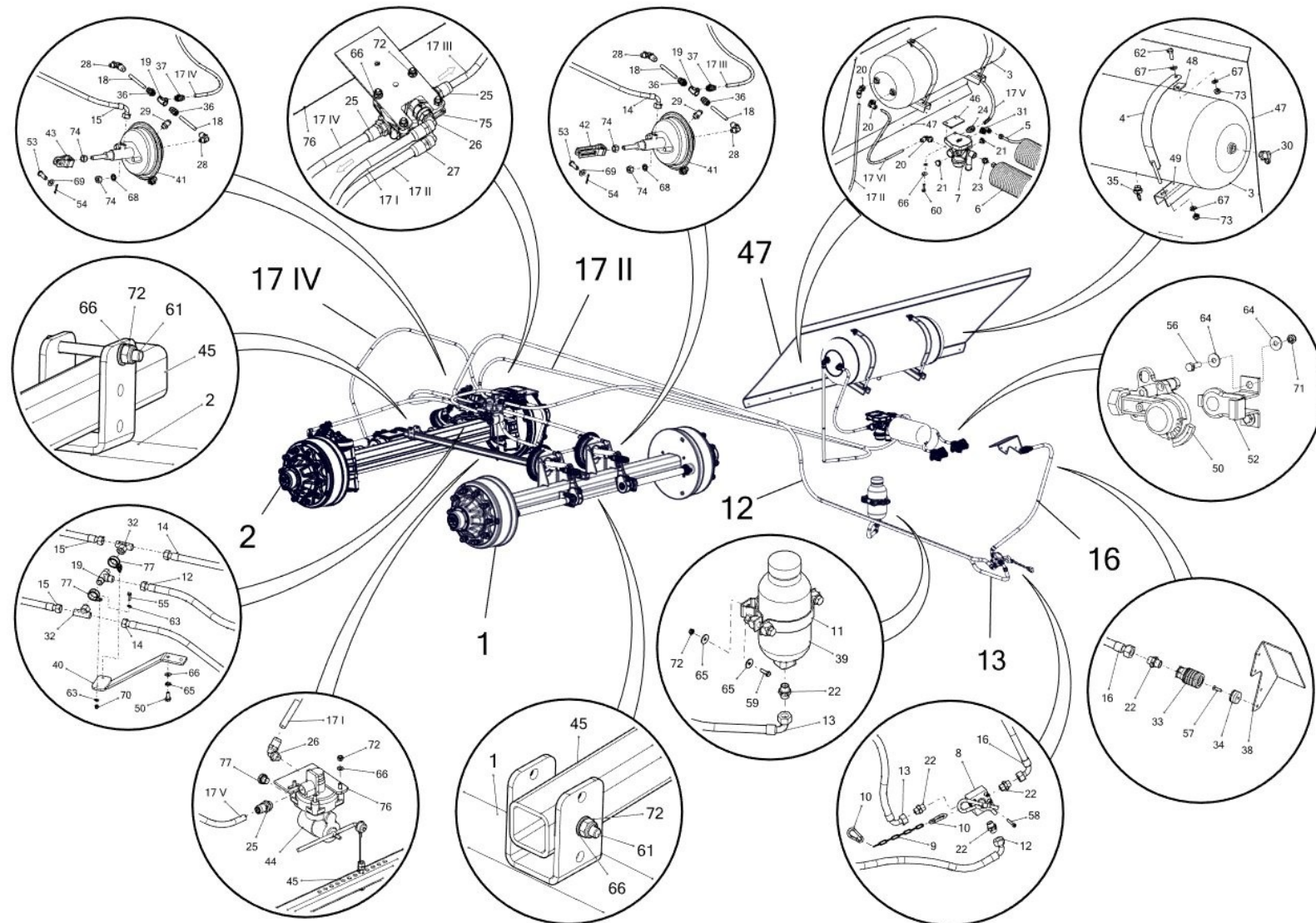
No.	Part or assembly name	Fig. or index No.			
		N272/3	Volume	N272/6	Volume
24*	Bulkhead reducer M22 x 1.5-M22 x 1.5, int. M16 x 1.5	—————	———	POD-OGL-001115	2
25*	Straight connector 22 x 1.5 / diam. 15				2
26*	Pneumatic elbow M16 TK15				1
27*	Pneumatic elbow M22-15 x 1.5 TK15				1
28*	Pneumatic elbow M16-12 x 1.5				4
29*	Pneumatic control connector M16 x 1.5				4
30*	Pneumatic control connector M22 x 1.5				1
31*	Pneumatic elbow M22-18 x 1.5				1
32	T-connector 18 x 18 x 18-1.5 with a top nut			POD-HKR-000002-1	2
33	Quick release coupling 900410 (21001462)			POD-HPZ-000117	1
34	Quick release coupling base				1
35*	Drain valve M22 x 1.5 KNORR			POD-OGL-001095	1
36*	Straight pneumatic connector M16 TK12			POD-OGL-001115	8
37*	Straight pneumatic connector M16 TK15	2			

**Key:**

**35\*** - included in: KNORR braking system of the N272-3.6 VIKING spreader with ALB CONNECTIONS - **POD-OGL-001095**

**24\*- 31\*, 36\*- 37\*** - included in: KNORR brake system for the N272/3 spreader, CONNECTORS - **POD-OGL-001115**

### 40. HYDRAULIC-PNEUMATIC BRAKING SYSTEM WITH ALB – STEERING AXLE



No.	Part or assembly name	Fig. or index No.			
		N272/3	Volume	N272/6	Volume
38*	Pneumatic hose mounting	_____	_____	N272-3 01.06.07	1
39	Brakes - hydraulic battery 1.5 l (21001971) – 100 bar			POD-HPZ-000114	1
40	Wiring support			N272-6 18.00.01	1
41*	Hydraulic-pneumatic cylinder 24 BCDT2425 66782000415			POD-OGL-000904	4
42	Long forks for HALDEX/KNORR membrane cylinder			POD-OGL-000615	2
43*	Short forks for HALDEX/KNORR membrane cylinder			POD-OGL-000904	2
44*	Mechanical braking force regulator			POD-OGL-001094	1
45	Lever ALB N272-6 02.04.09			N272-6 02.04.09	1
46	Air valve mounting			N272-3 03.01.120.1	1
47*	Tensioner guard			N272-3 03.01.13	1
48*	Clamping ring mounting eye			N274 01.01.79	2
49*	Tank support			N274 01.01.65	2

**Key:**

**38\*** - inseparable part of the cable bracket - **N272-3 01.06.00.1**

**41\***, **43\*** - inseparable part of the hydraulic-pneumatic cylinder - **POD-OGL-000904**

**44\*** - included in: KNORR TUV braking system, type N UNIVERSAL, automatic adjustment ALB VALVES without rear connectors – **POD-OGL-001094**

**45\***, **47\*** - inseparable part of the body - **N272-3 03.01.00.4**



No.	Part or assembly name	Fig. or index No.			
		N272/3	Volume	N272/6	Volume
48*	Clamping ring mounting eye	—	—	N274 01.01.79	2
49*	Tank support			N274 01.01.65	2
50*	HALDEX conduit connector, yellow, front			POD-OGL-001098	1
51*	HALDEX conduit connector, red, front				1
52	Clamping ring for small heads				2
53*	Actuator Fork Bolt			POD-OGL-000904	4
54*	Cotter pin 4 x 32 galv.				4
55	Bolt 5 x 20 galv. 8.8 82105			POD-ELZ-000645	2
56	Bolt 6 x 20 galv. 8.8 82105 82105 8.8			23S6/20	4
57	Screw 6 x 20 galv. 82208			23W6/20OC	1
58	Allen bolt 6 x 50 galv. 8.8 82302			POD-ELZ-000752	2
59	Bolt 8 x 20 galv. 8.8 82105 82105			23S8/20OC 8.8	4
60	Bolt 8 x 35 galv. 8.8 82105 82105			23S8/35OC 8.8	2
61	Bolt 8 x 70 galv. 8.8 82101 82101			23S8/70OC	2

**Key:**

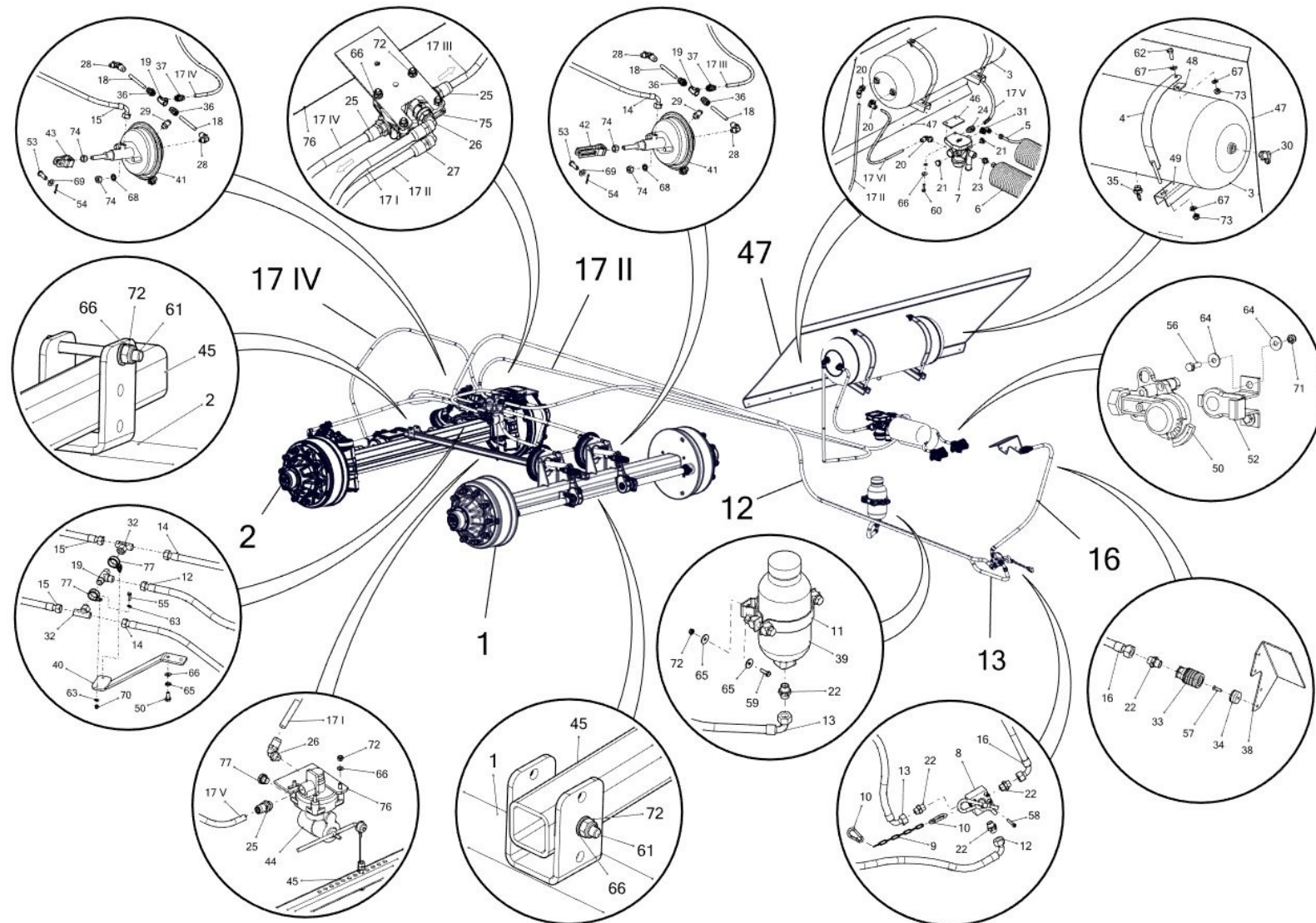
**48\*, 49\*** - inseparable part of the body - **N272-3 03.01.00.4**

**50\* - 51\*** - KNORR braking system type N UNIVERSAL, manual adjustment, VALVES without rear connections - **POD-OGL-001098**

**53\*, 54\*** - inseparable part of the hydraulic-pneumatic cylinder - **POD-OGL-000904**



### 40. HYDRAULIC-PNEUMATIC BRAKING SYSTEM WITH ALB – STEERING AXLE

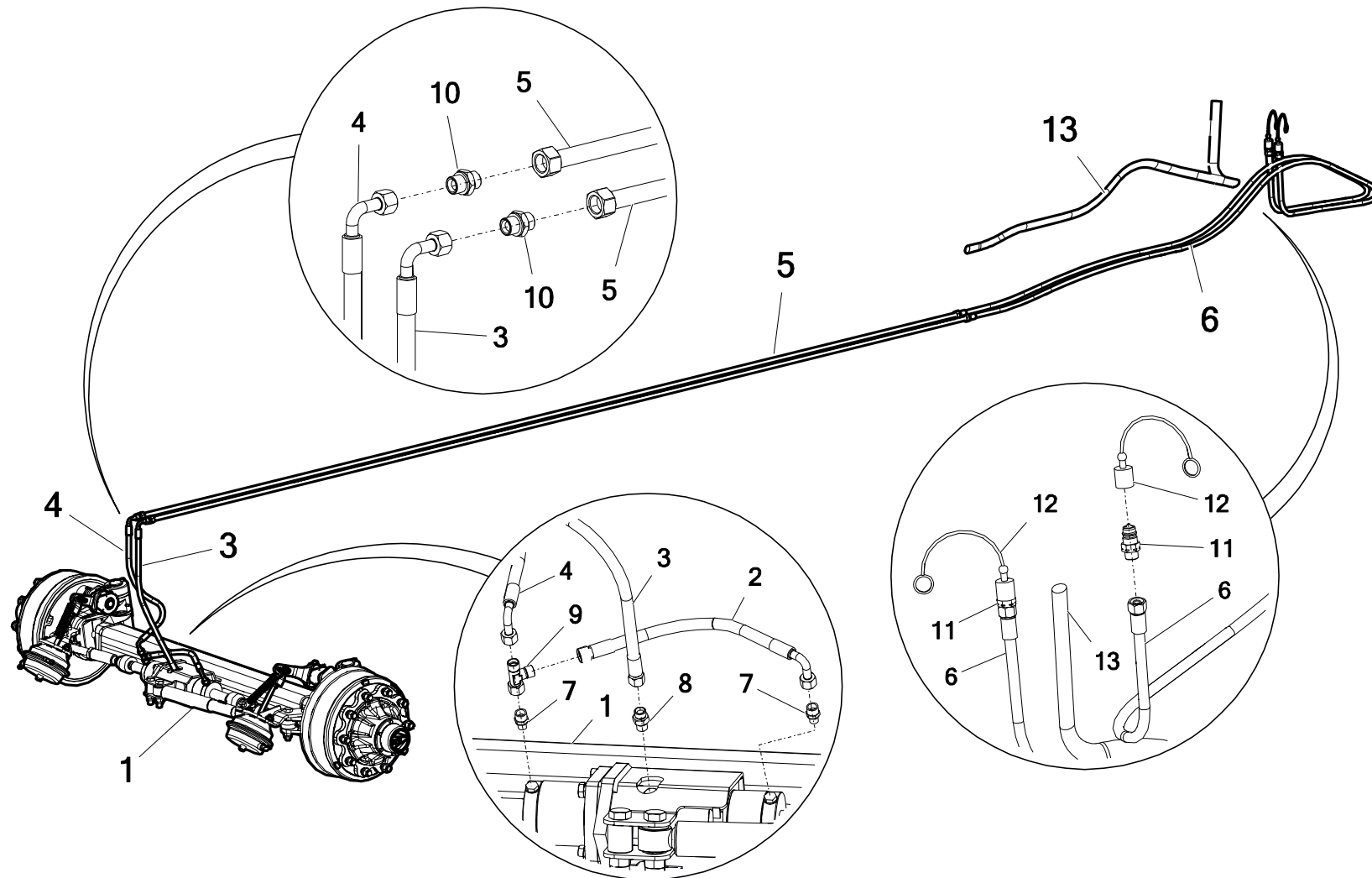


No.	Part or assembly name	Fig. or index No.			
		N272/3	Volume	N272/6	Volume
62	Bolt 10 x 30 galv. 8.8 82105 82105	—	—	23S10/30OC 8.8	2
63	Round washer, 5.3 galv. 82005 82005			23P5,3OC 82005	4
64	Round washer 6 galv. coated 82030			23P6OC030	8
65	Spring washer 8.2 galv. 82008 82008			23P8SPOC	4
66	Round washer 8 galv. coated 82019			23P8 82019OC	4
67	Round washer 30 galv. 82005 82005			23P10 82005	6
68	Spring washer 16.3 galv. 82008 82008			23P16SP	8
69*	HALDEX - cylinder washer 30			POD-OGL-000904	4
70	Self-locking nut M5 galv. 82175 8			POD-ELZ-000471	32
71	Self-locking nut M6 galv. 82175 8 82175 8			23NS6OC	4
72	Self-locking nut M8 galv. 82175 8 82175 8			23NS8OC	8
73	Self-locking nut M10 galv. 82175 8 82175 8			23NS10OC	4
74	Nut M16 galv. 8.8 82144 5 82144 5			23N16OC	12
75	Relay valve KNORR			POD-OGL-000850	1
76	Lower frame			N272-6 01.00.00.2	1
77	Pneumatic plug M16			POD-PZŁ-000036	1

**Key:**

**69\*** - inseparable part of the hydraulic-pneumatic cylinder - **POD-OGL-000904**

### 41. HYDRAULIC SYSTEM OF THE STEERING AXLE

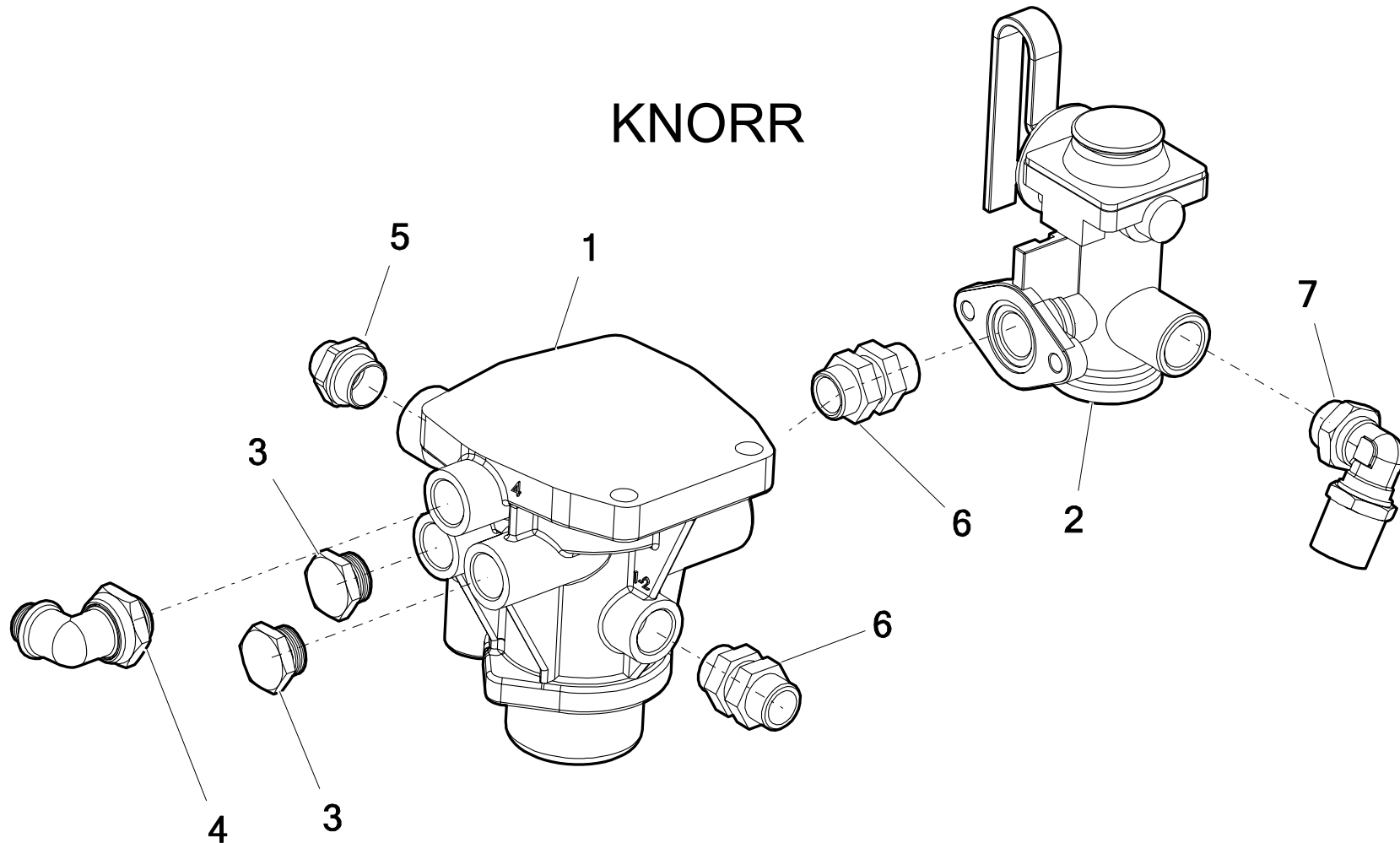


No.	Part or assembly name	Fig. or index No.			
		N272/3	Volume	N272/6	Volume
1	Steering axle C7S3UF1VC021 2000/130/280/335/10xM22/406x120 TDB 361-062-11 ADR	—————	——	POD-KOS-000263	1
2*	Hydraulic hose A90A/211/10 L-400			POD-HPR-000653	1
3*	Hydraulic hose A90A90/211/10 L-1000				1
4*	Hydraulic hose A90A90/211/10 L-800				1
5*	Steel pipe, diam. 12, L-4000				2
6*	Hydraulic hose BA/214/10 L-3000				2
7	Straight connector 1/4" - M18x1.5 12LR			POD-HPZ-000008-1	2
8	Straight connector 3/8 x 18-1.5 12LR			24KP3/8 18	1
9	T-connector, asymmetrical 18 x 18 x 18-1.5 12L with nut on side			POD-HKR-000121	1
10	Straight connection 1/2 edx18-1.5			24KP1/2 18	4
11	EURO valve-plug 13 M22 x 1.5			24ZWE13	2
12	Cap for EURO valve plug 13 (green, yellow, blue, red)			24ZWNE13	2
13	Textile sleeve diam. 50, L-2500 (for hydraulic hoses)			N272 03.21.00	1

**Key:**

**2\*- 6\*** - included in: Set No. 41-9 for the N272/6 Viking 18t spreader (steering axle) (s+g) - **POD-HPR-000653**

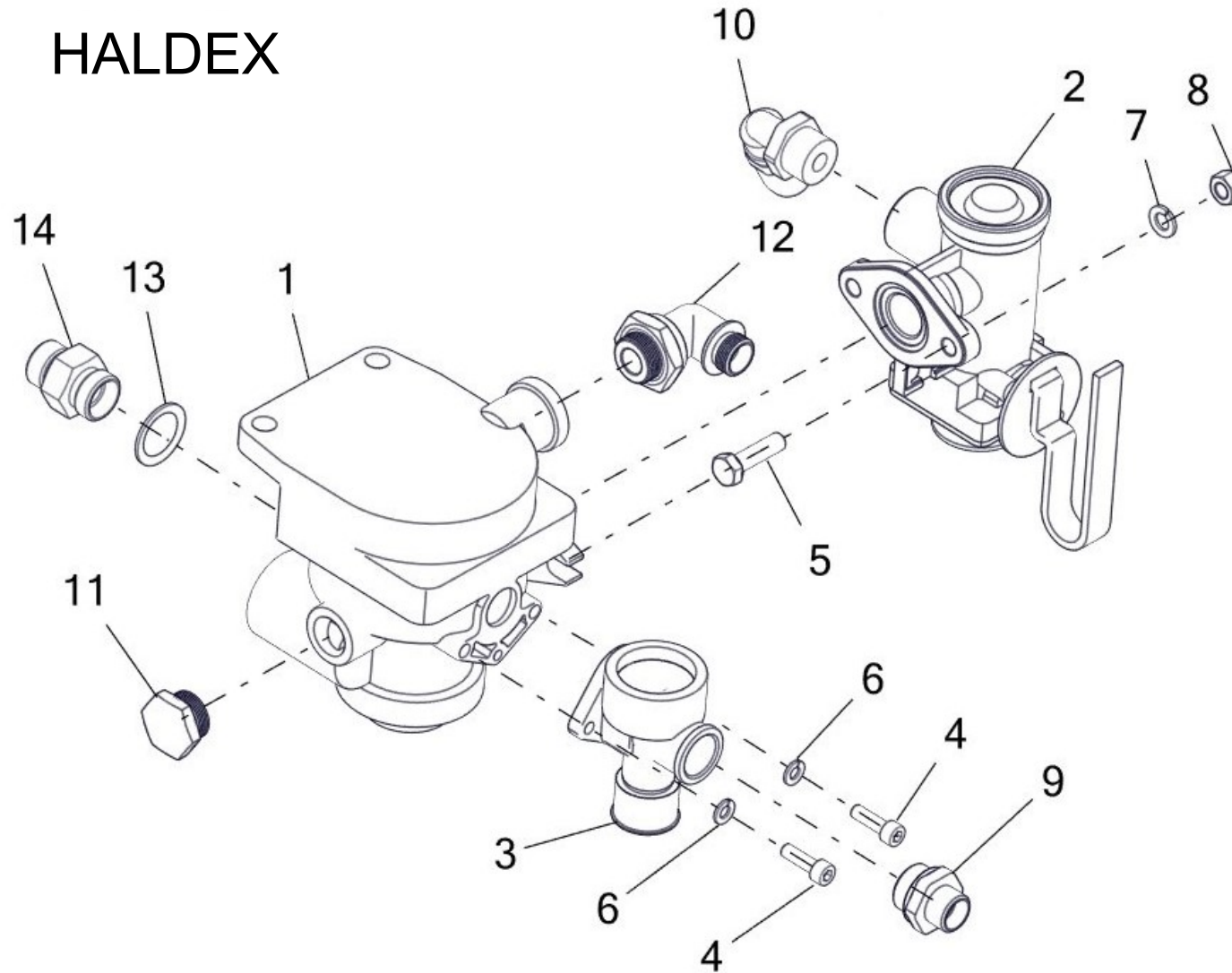
**42. BRAKE VALVE, COMPLETE – KNORR**



No.	Part or assembly name	Fig. or index No.			
		N272/3	Volume	N272/6	Volume
1	Trailer brake valve with KNORR brake release	POD-OGL-001098	1	POD-OGL-001098	1
2	Manual braking-force regulator		1		1
3	Pneumatic plug M22	POD-OGL-001115	2	POD-OGL-001115	2
4	Pneumatic elbow M22-18 x 1.5		1		1
5	Straight pneumatic connector M22-M22		1		1
6	Bulkhead reducer M22 x 1.5-M22 x 1.5, int. M16 x 1.5		1		1
7	Pneumatic elbow M22-12 x 1.5 TK12		2		2

**43. BRAKE VALVE, COMPLETE – HALDEX**

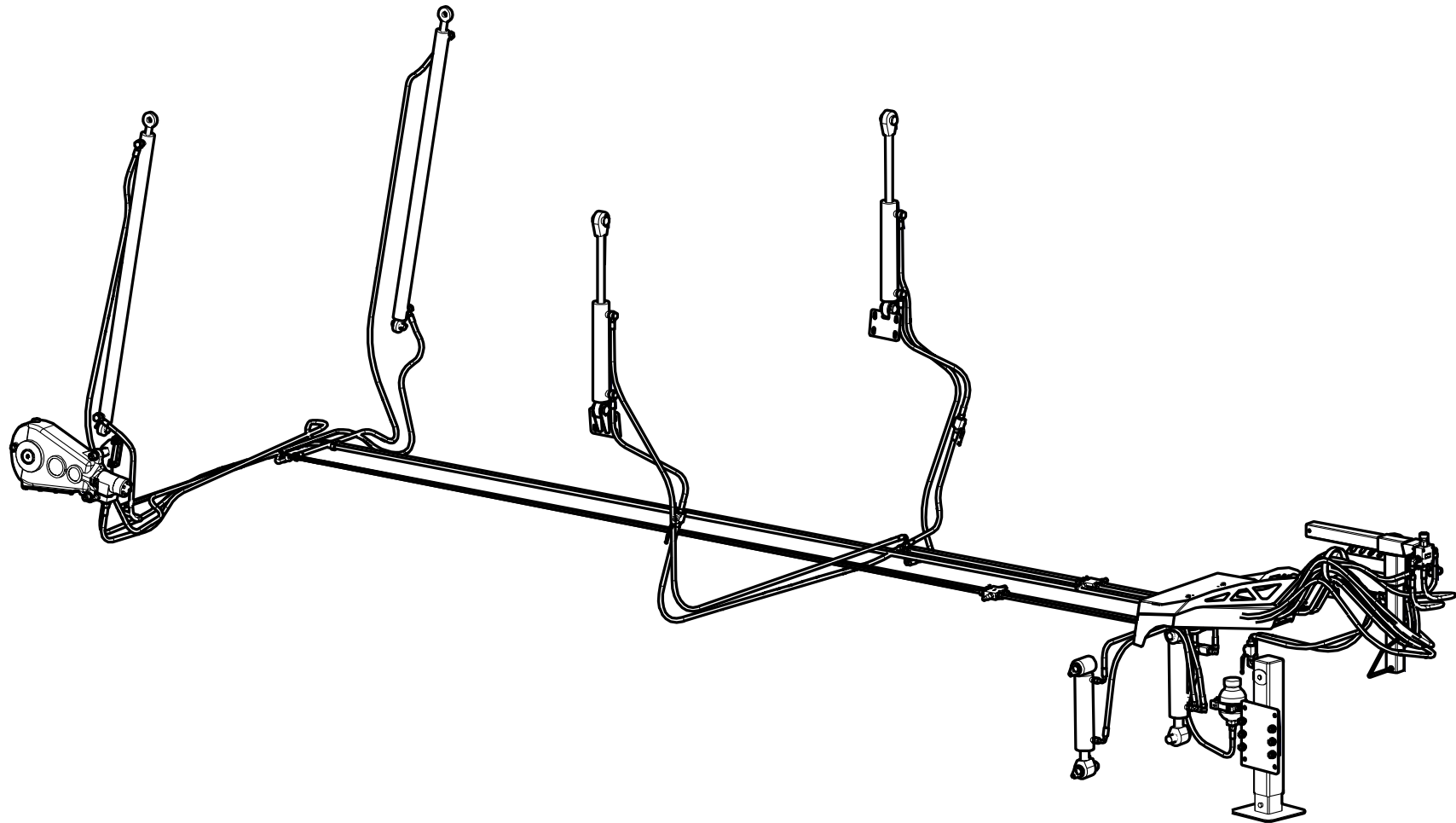
**HALDEX**



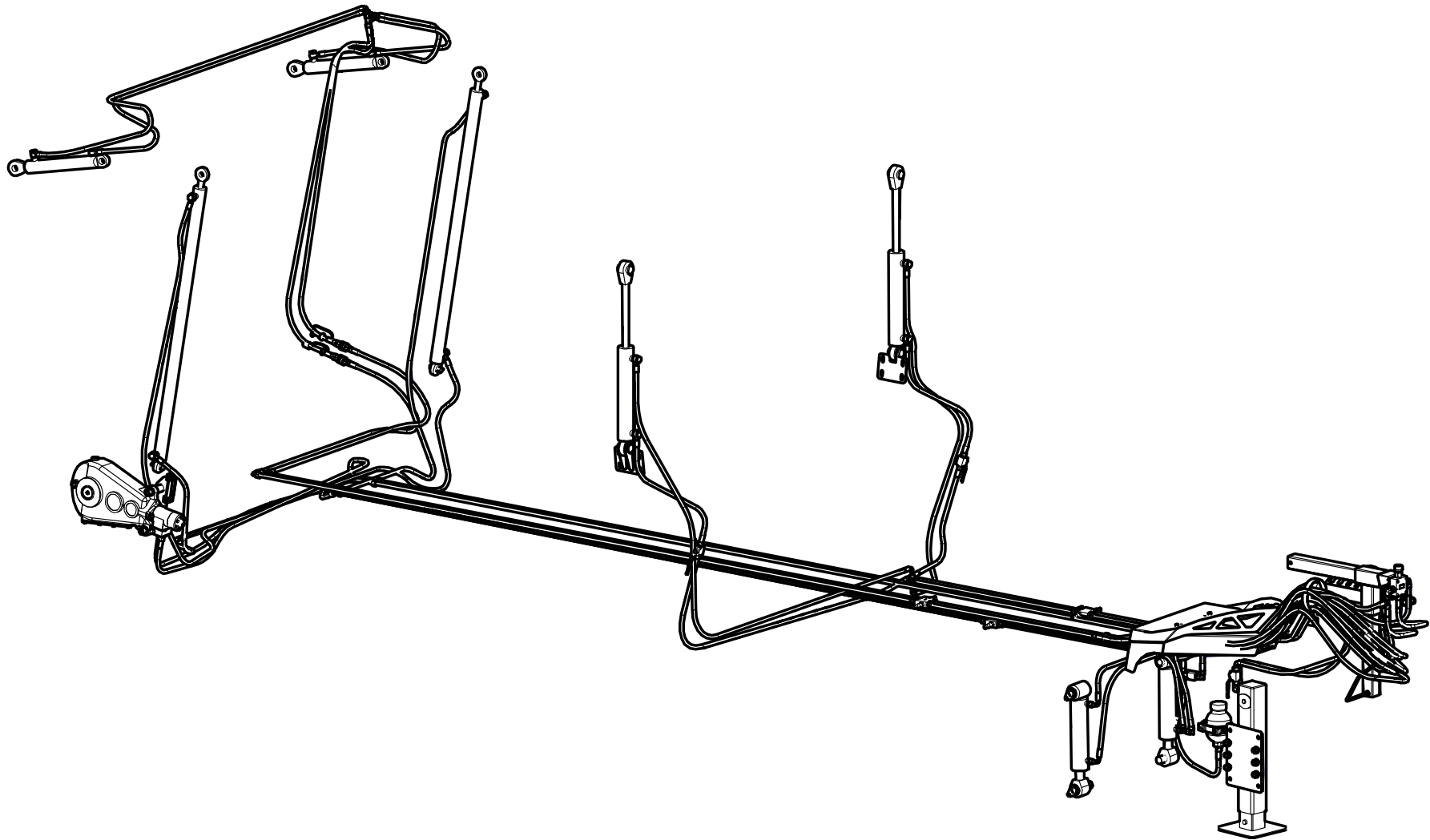
No.	Part or assembly name	Fig. or index No.			
		N272/3	Volume	N272/6	Volume
1	Brake valve HALDEX	3510080011	1	3510080011	1
2	Manual braking-force regulator	POD-OGL-001098	1	POD-OGL-001098	1
3	Brake valve release	POD-OGL-001044	1	POD-OGL-001044	1
4	Allen bolt 6 x 20 galv. 8.8 82302	POD-ELZ-000759	2	POD-ELZ-000759	2
5	Bolt 8 x 30 galv. 8.8 82105 82105	23S8/30OC 8.8	2	23S8/30OC 8.8	2
6	Spring washer, 6.1 galv. 82008 82008	23P6SPOC	2	23P6SPOC	2
7	Spring washer 8.2 galv. 82008 82008	23P8SPOC	2	23P8SPOC	2
8	Nut M8 galv. 82144 5	23N8OC	2	23N8OC	2
9	Straight pneumatic connector M22-M16	POD-PZŁ-000010	1	POD-PZŁ-000010	1
10	Straight pneumatic elbow M22-12 x 1.5 TK12	POD-PZŁ-000016	1	POD-PZŁ-000016	1
11	Pneumatic plug M22	POD-PZŁ-000037	1	POD-PZŁ-000037	1
12	Pneumatic elbow M22-16 x 1.5	POD-PZŁ	1	POD-PZŁ	1
13	Seal ring PPM22 30 x 22	24UPPM22	1	24UPPM22	1
14	Connector	24K22-22	1	24K22-22	1



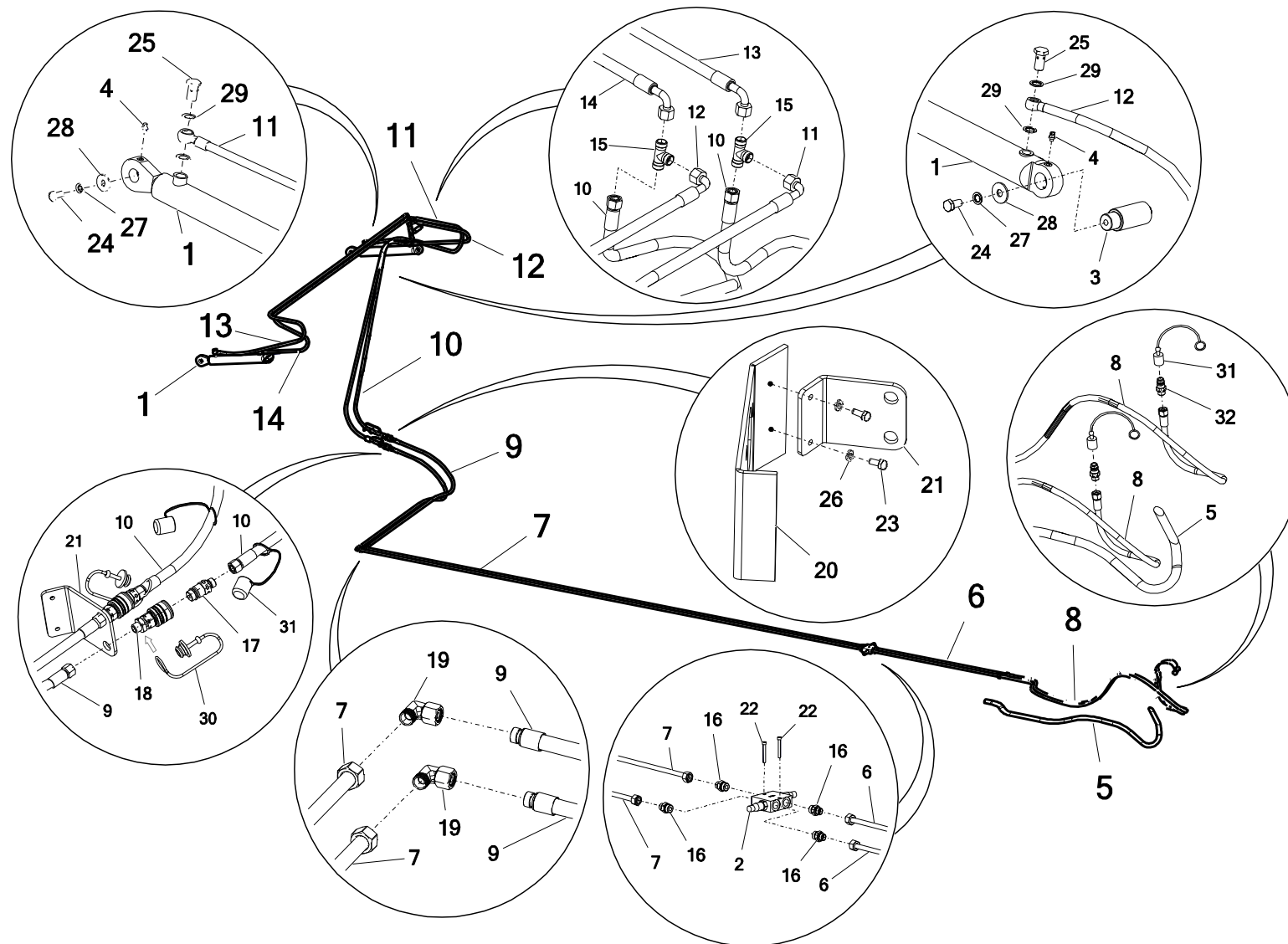
**44. FIVE-SECTION HYDRAULIC SYSTEM, COMPLETE**



**45. SIX-SECTION HYDRAULIC SYSTEM, COMPLETE**



### 46. SIX-SECTION HYDRAULIC SYSTEM - horizontal adapter guard section



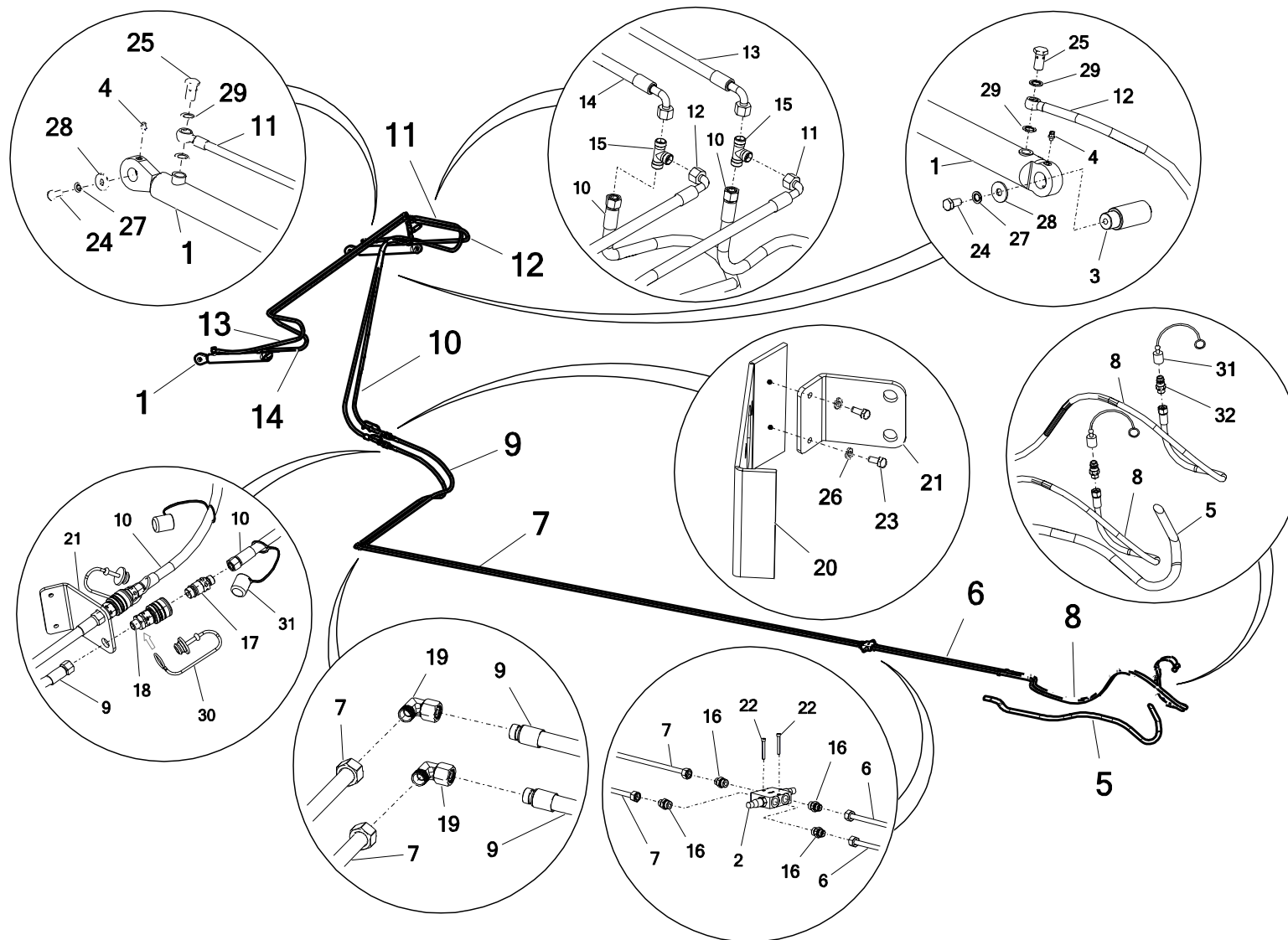
No.	Part or assembly name	Fig. or index No.			
		N272/3	Volume	N272/6	Volume
1	Cylinder 50/28/300z+U L-532	24SCJ2F-16-50/28/300	2	24SCJ2F-16-50/28/300	2
2	Cross over relief valve VBDC3802 210b - VAU 1/2cal	24ZP	1	24ZP	1
3*	Cylinder pin	N272 11.02.05	2	N272 11.02.05	2
4	Lubricating nipple M8 x 1.0 simple	23SM	4	23SM	4
5	Textile sleeve diam. 50, L-2500 (for hydraulic hoses) N272 03.21.00	N272 03.21.00	1	N272 03.21.00	1
6*	Cylinder bottom pipe I, diam. 12, L-940	POD-HPR-000810	2	POD-HPR-000810	2
7*	Cylinder bottom pipe II, diam. 12, L-3700		2		2
8*	Hydraulic hose A90B/211/10 L-900		2		2
9*	Hydraulic hose AB/211/10 L-2050		2		2
10*	Hydraulic hose AA/211/10 L-1900		2		2
11*	Hydraulic hose RNMA90/211/10 L-1200		1		1
12*	Hydraulic hose RNMA90/211/10 L-800		1		1
13*	Hydraulic hose RNMA90/211/10 L-3150		1		1

**Key:**

**3\*** - inseparable part: Left frame - **N272-3 11.02.00**

**8\*- 13\*** - included in: Set No. 41-2.2, the N272/3 VIKING 14T spreader with a horizontal adapter distributor (s+g) - **POD-HPR-000810**

### 46. SIX-SECTION HYDRAULIC SYSTEM - horizontal adapter guard section



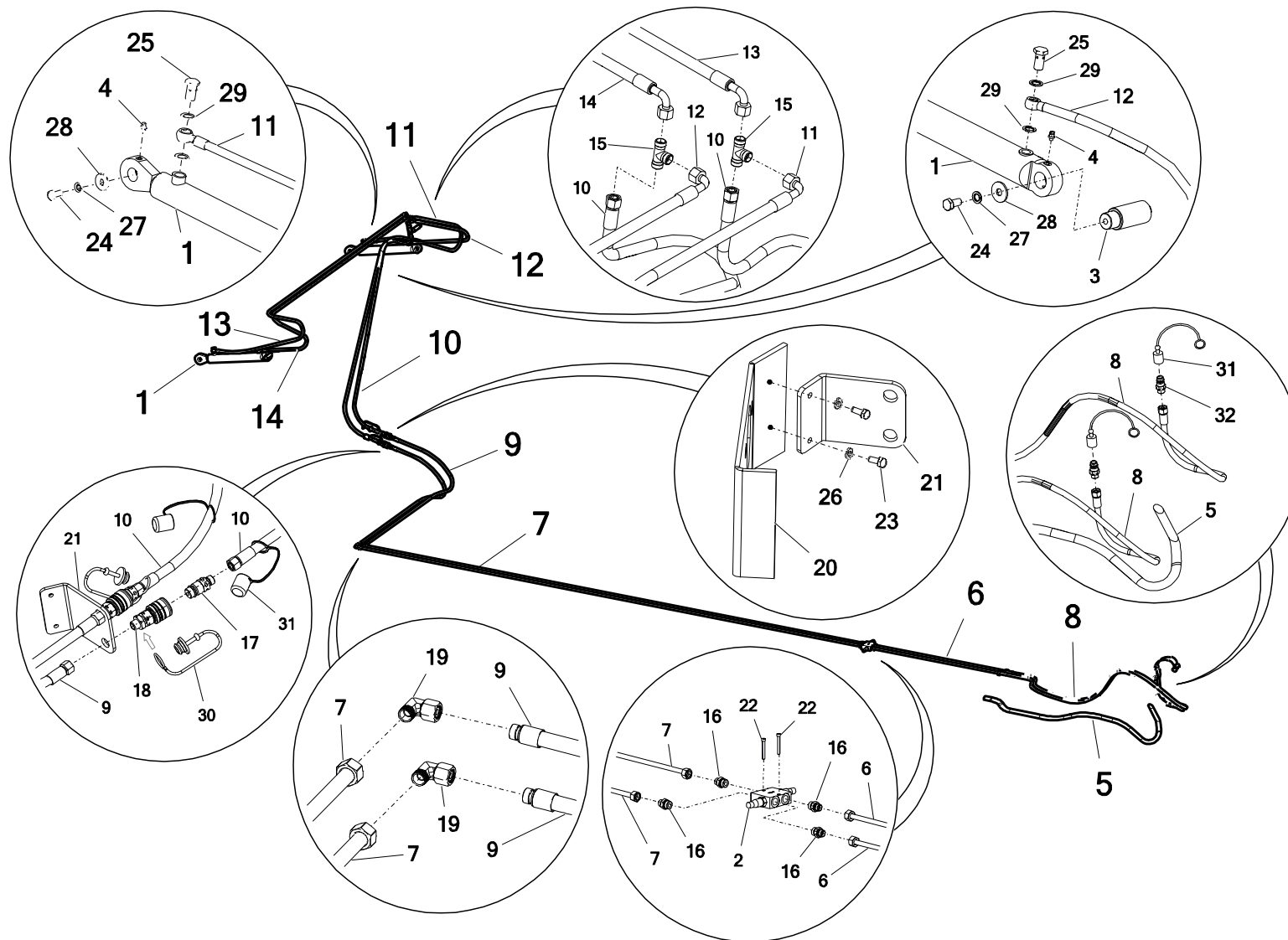
No.	Part or assembly name	Fig. or index No.			
		N272/3	Volume	N272/6	Volume
14*	Hydraulic hose RNMA90/211/10 L-2750	POD-HPR-000810	1	POD-HPR-000810	1
15	T-connector 18 x 18 x 18 12L	24KT18/18/18	2	24KT18/18/18	2
16	Straight connection 1/2 edx18-1.5	24KP1/2 18	4	24KP1/2 18	4
17	EURO valve-plug 13 M18 x 1.5	24ZWE13-M18X1.5	2	24ZWE13-M18X1.5	2
18	EURO valve seat M18 x 1.5 long	POD-HZW-000039	2	POD-HZW-000039	2
19	Adjustable elbow connector AB M18 x 1.5 12L	24KPKN18X1.5	2	24KPKN18X1.5	2
20*	Shaft reinforcement, left side	N272-3 03.01.107L	1	N272-3 03.01.107L	1
21	Support for quick release coupling sockets	N272 03.00.12	1	N272 03.00.12	1
22	Allen bolt 6 x 50 galv. 8.8 82302	POD-ELZ-000752	2	POD-ELZ-000752	2
23	Bolt 8 x 20 galv. 8.8 82105 82105	23S8/20OC 8.8	2	23S8/20OC 8.8	2
24	Screw 12 x 25 galv. 8.8 82105 82105	23S12/25OC 8.8	4	23S12/25OC 8.8	4
25	Eye bolt M16 x 1.5 15 L31	24SO16/1.5	4	24SO16/1.5	4

**Key:**

**20\*** - inseparable part: Shell - N272-3 03.01.00.4

**14\*** - included in: Set No. 41-2.2, the N272/3 VIKING 14T spreader with a horizontal adapter distributor (s+g) - **POD-HPR-000810**

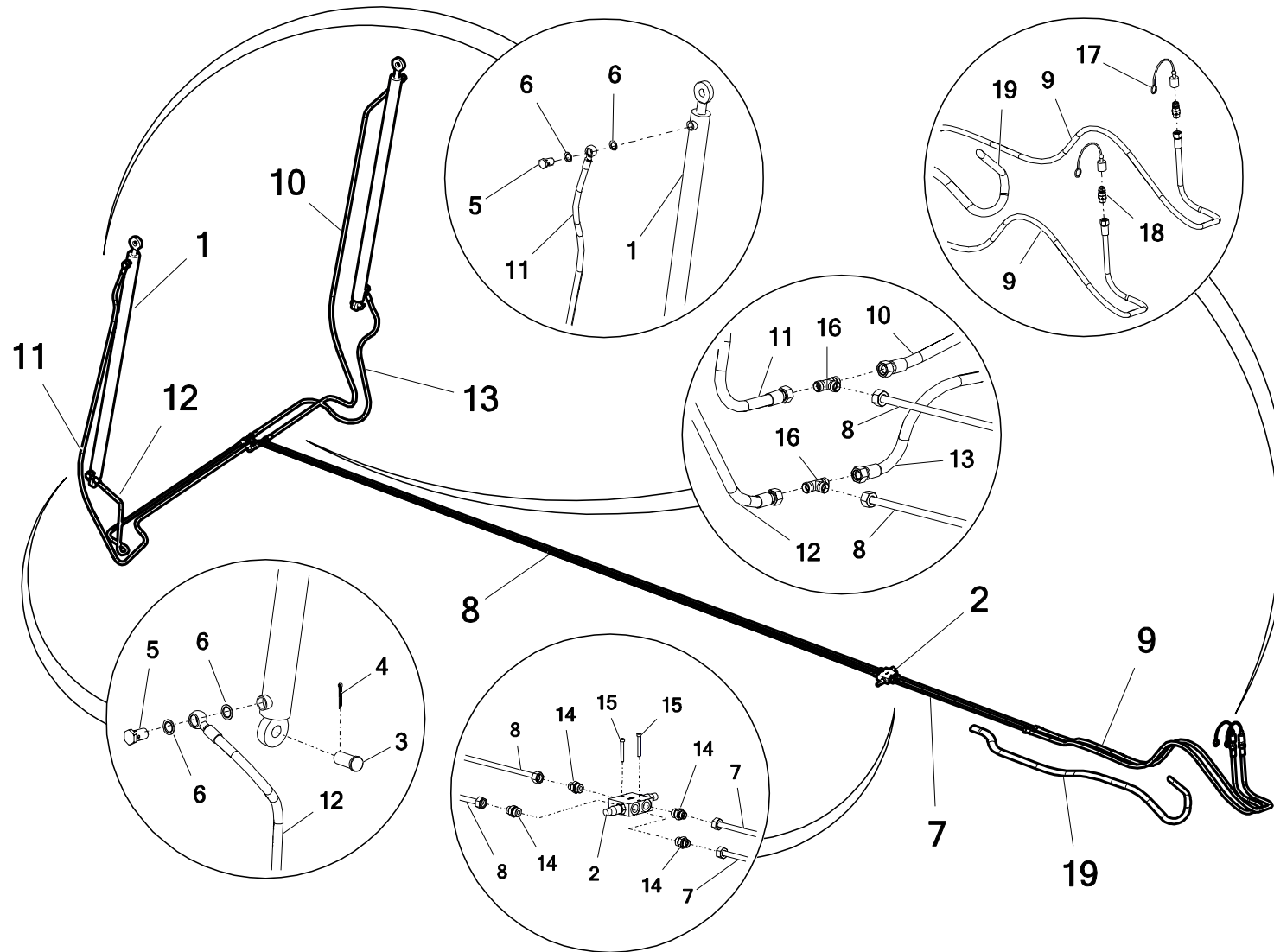
### 46. SIX-SECTION HYDRAULIC SYSTEM - horizontal adapter guard section



No.	Part or assembly name	Fig. or index No.			
		N272/3	Volume	N272/6	Volume
26	Round washer 8 galv. 82005 82005	23P8OOC	2	23P8OOC	2
27	Spring washer 12 galv. 82008 82008	23P12SP	4	23P12SP	4
28	Washer, round 12 galv. coat. 82030	23P12OOC	4	23P12OOC	4
29	Metal & rubber washer PPM16 24 x 16	24UPPM16	8	24UPPM16	8
30	Valve socket cap EURO13 (green, yellow, blue, red)	24ZGNE13	2	24ZGNE13	2
31	Cap for EURO valve plug 13 (green, yellow, blue, red)	24ZWNE13	2	24ZWNE13	2
32	EURO valve-plug 13 M22 x 1.5	24ZWE13	2	24ZWE13	2



### 47. SIX-SECTION HYDRAULIC SYSTEM - gate valve section

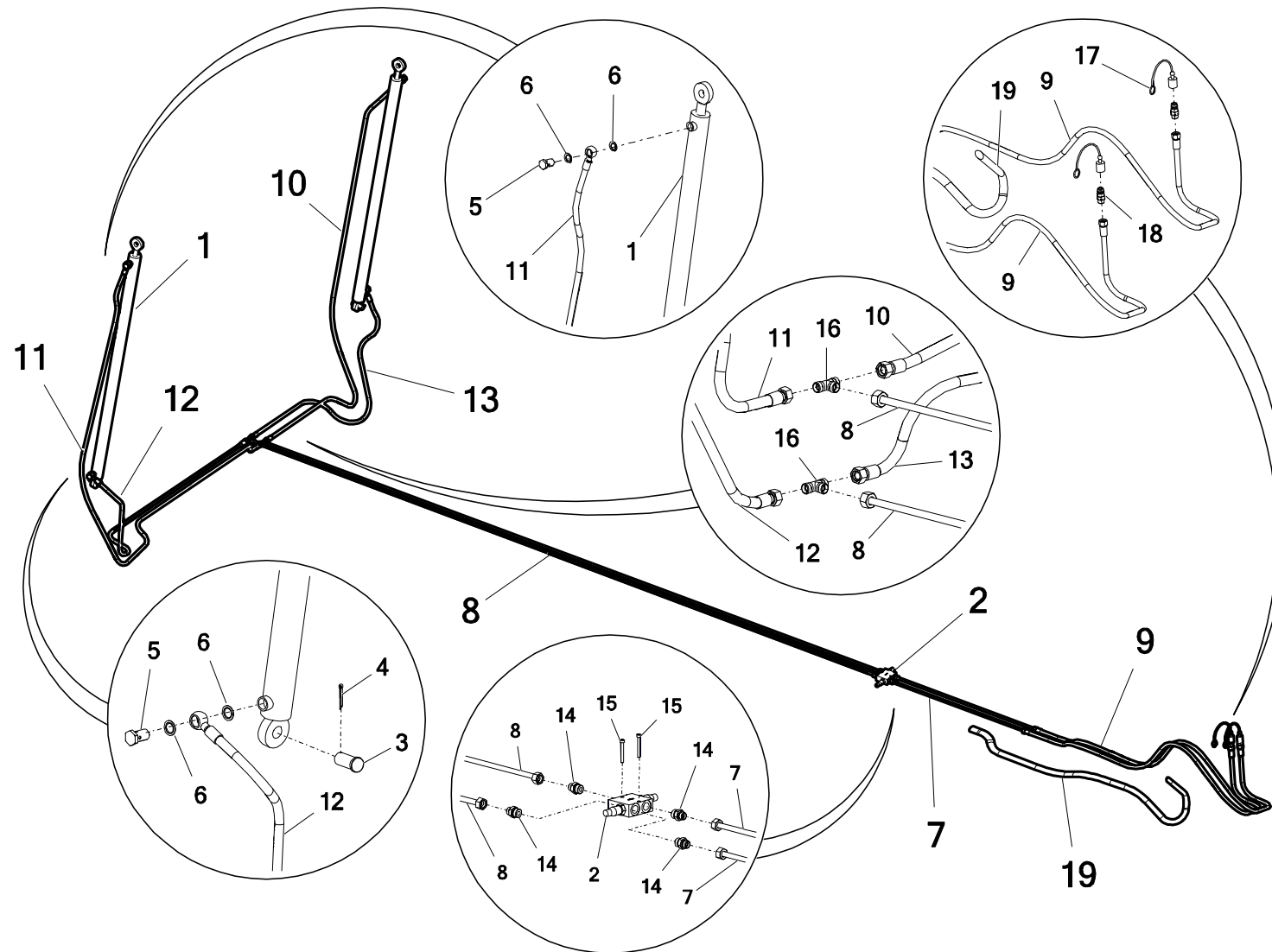


No.	Part or assembly name	Fig. or index No.			
		N272/3	Volume	N272/6	Volume
1	Cylinder UCJ283-50/28/1500*L-1677	POD-HSL-000157	2	POD-HSL-000157	2
2	Cross over relief valve VBDC3802 210b - VAU 1/2cal	24ZP	1	24ZP	1
3	Tailgate bolt N272-3 04.03.02	N272-3 04.03.02	2	N272-3 04.03.02	2
4	Cotter pin 5 x 40	POD-ELZ-000994	2	POD-ELZ-000994	2
5	Eye bolt 1/2" 20 L36	24SO1/2"	4	24SO1/2"	4
6	Metal-rubber washer PPM 3/4" (M27)	POD-HPZ-000052	4	POD-HPZ-000052	4
7*	Cylinder bottom pipe I, diam. 12 L-940	POD-HPR-000532	2	POD-HPR-000532	2
8*	Cylinder bottom pipe II, diam. 12, L-3700		2		2
9*	Hydraulic hose AA/214/10 L-3000		2		2
10*	Hydraulic hose RNMA/2_1/10 L-2900		1		1
11*	Hydraulic hose RNMA/2_1/10 L-3550		1		1
12*	Hydraulic hose RNMA/2_1/10 L-2100		1		1
13*	Hydraulic hose RNMA/2_1/10 L-1350		1		1

**Key:**

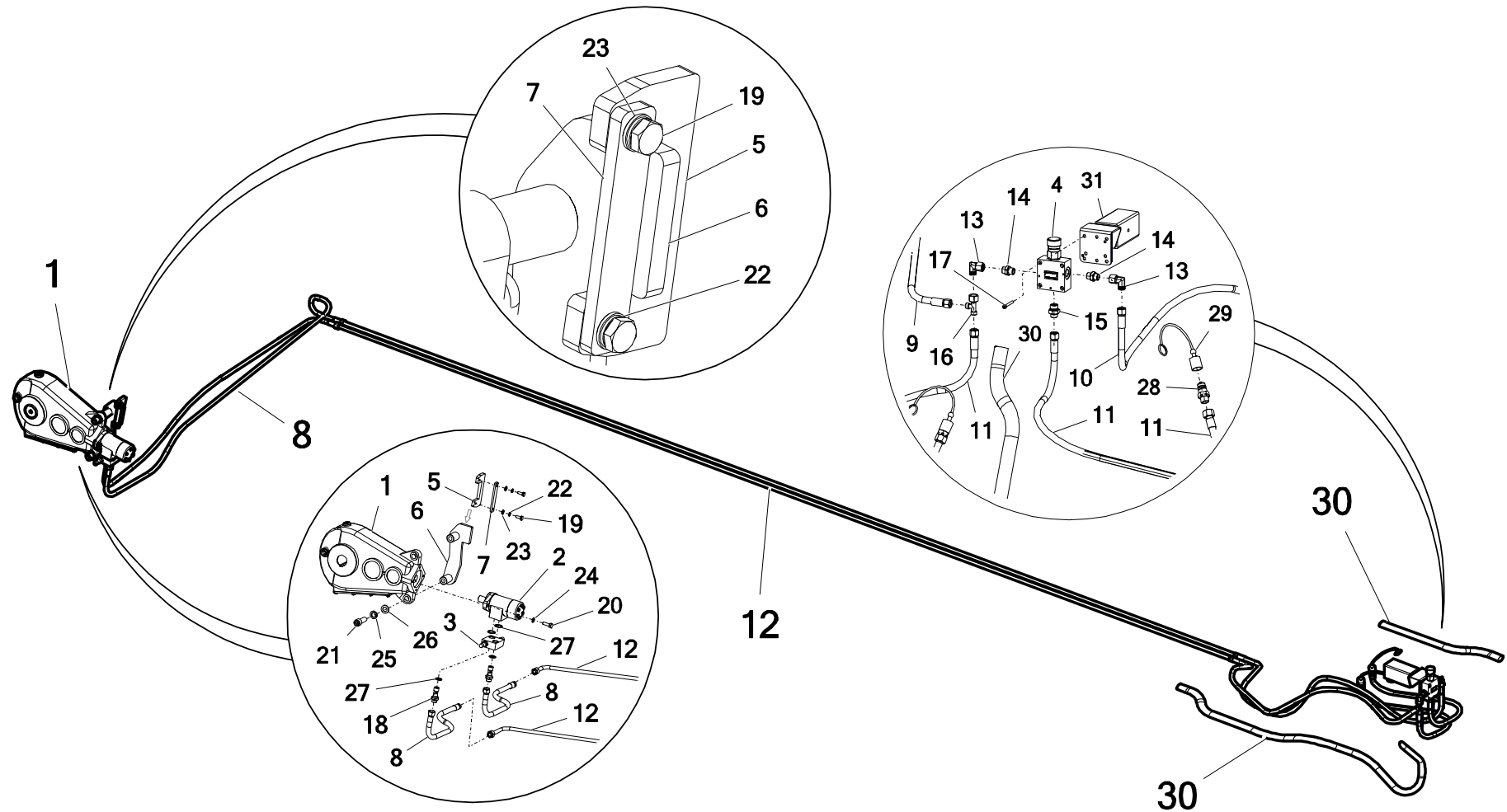
7\*- 13\* - included in: Set No. 41-2, the N272/3 VIKING 14T spreader (s+g) - **POD-HPR-000532**

### 47. SIX-SECTION HYDRAULIC SYSTEM - gate valve section



No.	Part or assembly name	Fig. or index No.			
		N272/3	Volume	N272/6	Volume
14	Straight connection 1/2 edx18-1.5	24KP1/2 18	4	24KP1/2 18	4
15	Allen bolt 6 x 50 galv. 8.8 82302	POD-ELZ-000752	2	POD-ELZ-000752	2
16	T-connector 18 x 18 x 18 12L	24KT18/18/18	2	24KT18/18/18	2
17	Cap for EURO valve plug 13 (green, yellow, blue, red)	24ZWNE13	2	24ZWNE13	2
18	EURO valve-plug 13 M22 x 1.5	24ZWE13	2	24ZWE13	2
19	Textile sleeve diam. 50, L-2500 (for hydraulic hoses) N272 03.21.00	N272 03.21.00	1	N272 03.21.00	1

### 48. SIX-SECTION HYDRAULIC SYSTEM - floor conveyor section



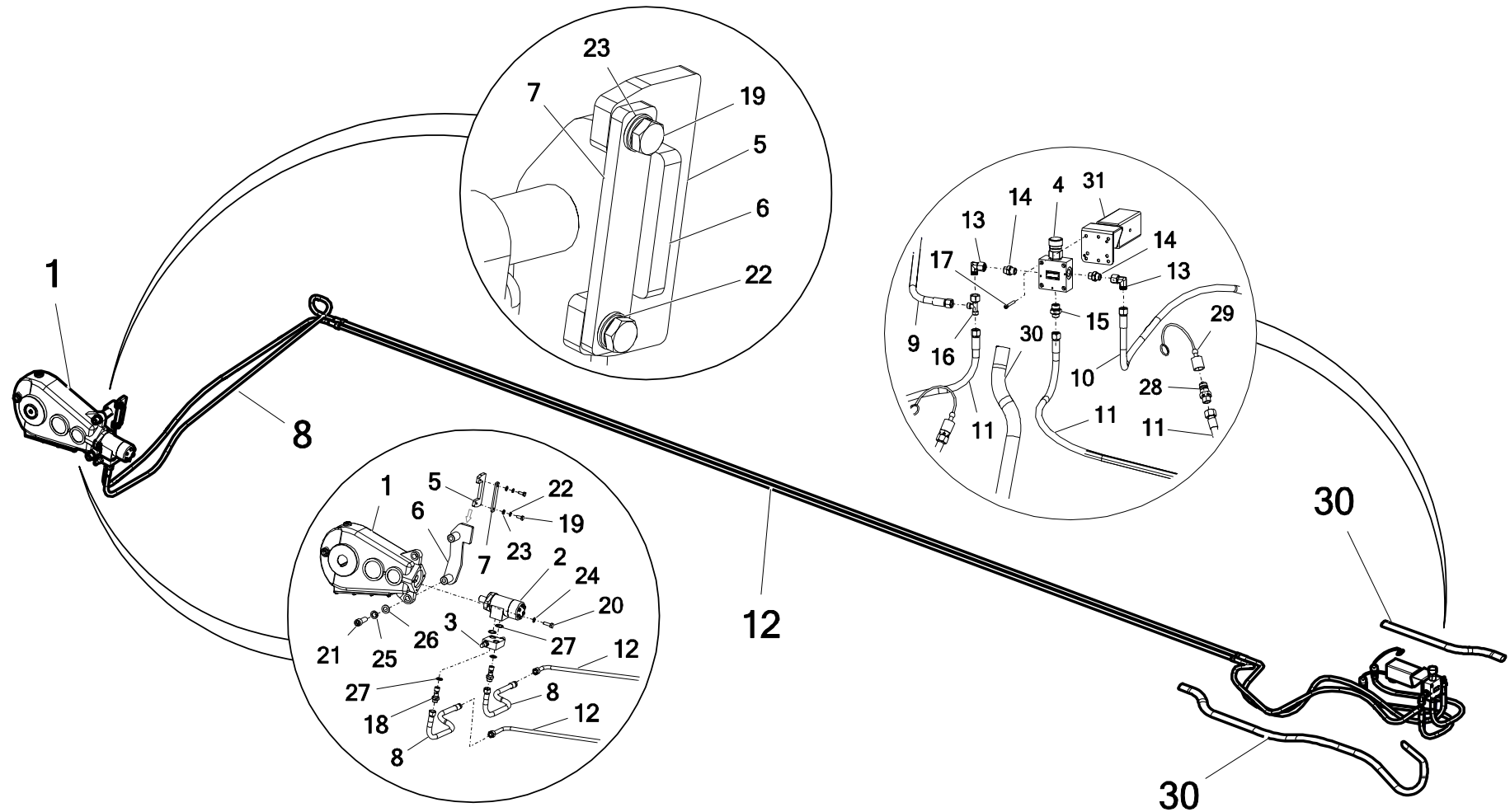
No.	Part or assembly name	Fig. or index No.			
		N272/3	Volume	N272/6	Volume
1	Side gearbox PRK-550-01- AAB.R1	POD-WPS-000153	1	POD-WPS-000153	1
2	OMR 200 (BMR) hydraulic motor	24S200	1	24S200	1
3	Valve block VAU OM 1-2 WSC - 100/100 bar	POD-HZW-000099	1	—————	—
	Valve block VAU OM 1/2" WSC + bolts with washers (120/120 bar)	—————	—	POD-HZW-000133	1
4	Flow control valve TVTC-UDUE10-22/50-4 - Ponar	POD-HZW-000113	1	POD-HZW-000113	1
5*	Gearbox interlock VIKING	N272-3 03.01.144	1	N272-3 03.01.144	1
6	Side gearbox mounting, complete	N272-3 03.39.00	1	N272-3 03.39.00	1
7	Gear mounting protection	N272-3 03.00.11	1	N272-3 03.00.11	1
8*	Hydraulic hose AB/233/13 L-2200	POD-HPR-000532	2	POD-HPR-000532	2
9*	Hydraulic hose AB/233/13 L-2550		1		1
10*	Hydraulic hose AB/233/13 L-2700		1		1
11*	Hydraulic hose AA/233/13 L-1500		2		2
12*	Conveyor steel pipe, diam. 15, L-5000		2		2
13	Adjustable elbow connector AB M22 x 1.5 15L	24KPKN22X1.5	2	24KPKN22X1.5	2
14	Straight connector 1/2 edx22-1.5 15L	24K1/2 22	2	24K1/2 22	2

**Key:**

**5\*** - inseparable part of the body - **N272-3 03.01.00.3**

**8\*- 12\*** - included in: Set No. 41-2, the N272/3 VIKING 14T spreader (s+g) - **POD-HPR-000532**

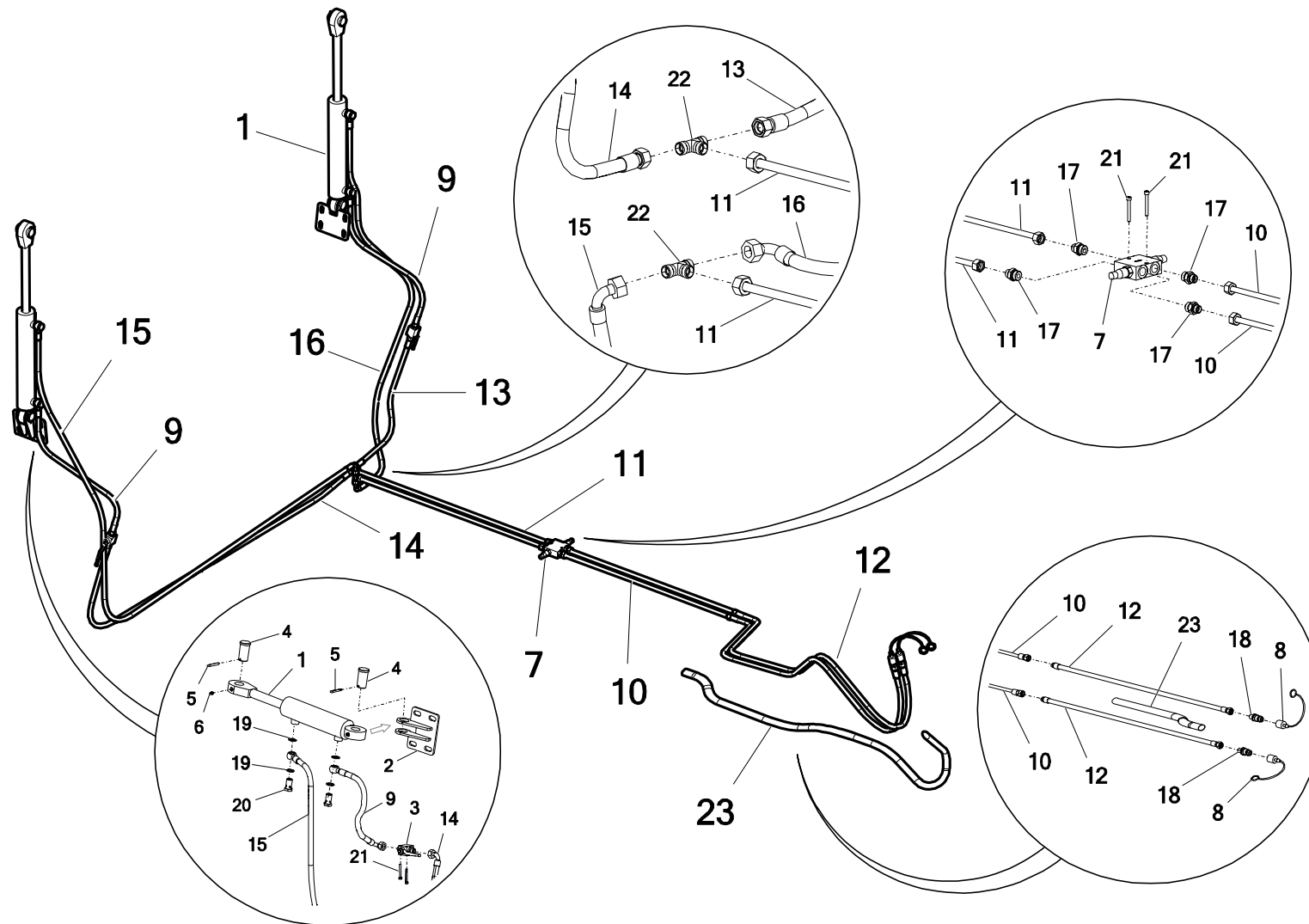
### 48. SIX-SECTION HYDRAULIC SYSTEM - floor conveyor section



No.	Part or assembly name	Fig. or index No.			
		N272/3	Volume	N272/6	Volume
15	Straight connector 3/8 x 22 x 1.5	POD-HKR-000001-1	1	POD-HKR-000001-1	1
16	T-connector, asymmetrical 22 x 22 x 22-1.5 15L with nut on side	POD-HKR-000018	1	POD-HKR-000018	1
17	Allen bolt 6 x 50 galv. 8.8 82302	POD-ELZ-000752	4	POD-ELZ-000752	4
18	Hydraulic connecting bolt for the motor M22 x 1.5	POD-HZW-000099	2	POD-HZW-000099	2
19	Bolt 10 x 25 galv. 8.8 82105 82105	23S10/25OC 8.8	2	23S10/25OC 8.8	2
20	Bolt 12 x 35 galv. 8.8 82105 82105	23S12/35OC 8.8	2	23S12/35OC 8.8	2
21	Allen bolt 20 x 60 galv. 12.9 82302	POD-ELZ-000859	2	POD-ELZ-000859	2
22	Spring washer 10.2 galv. 82008 82008	23P10SP	2	23P10SP	2
23	Round washer 30 galv. 82005 82005	23P10 82005	2	23P10 82005	2
24	Spring washer 12 galv. 82008 82008	23P12SP	2	23P12SP	2
25	Spring washer, 20.5 galv. 82008 82008	23P20SP	2	23P20SP	2
26	Round washer 20 galv. 82005 82005	23P20OOC	2	23P20OOC	2
27	Metal-rubber washer PPM 3/4" (M27)	POD-HPZ-000052	4	POD-HPZ-000052	4
28	Euro valve-plug 13 M22 x 1.5	24WE13	2	24WE13	2
29	Cap for EURO valve plug 13 (green, yellow, blue, red)	24ZWNE13	2	24ZWNE13	2
30	Textile sleeve diam. 50, L-2500 (for hydraulic hoses) N272 03.21.00	N272 03.21.00	2	N272 03.21.00	2
31	Flow regulator mounting	N272-3 01.06.091	1	N272-3 01.06.091	1



### 49. SIX-SECTION HYDRAULIC SYSTEM - extension panel section

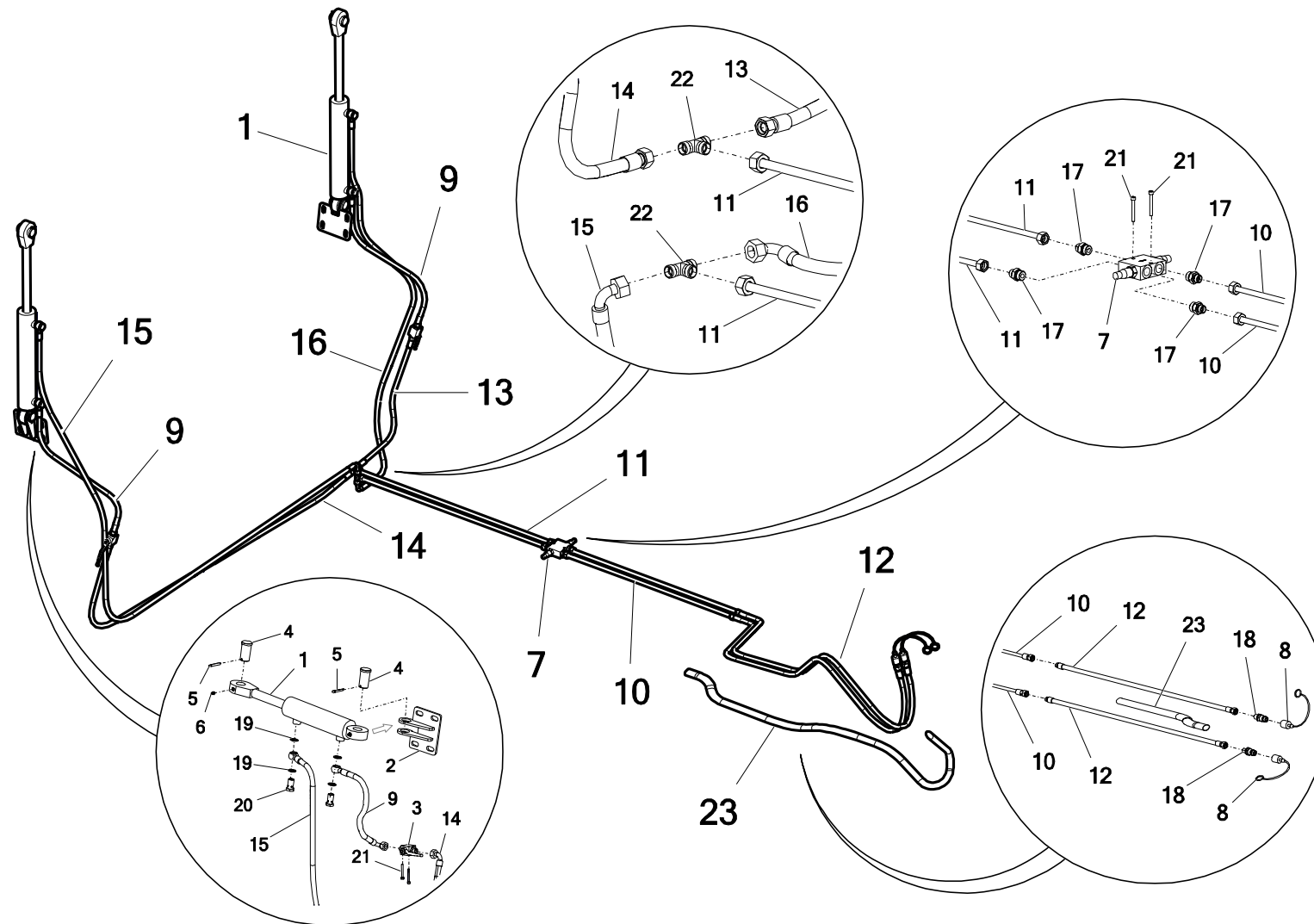


No.	Part or assembly name	Fig. or index No.			
		N272/3	Volume	N272/6	Volume
1	Cylinder UCJFW-63/36/300+UUE2s*L-282	POD-HSL-000156	2	POD-HSL-000156	2
2	Extension panel actuator bottom mounting, complete	N272-3 03.36.00	2	N272-3 03.36.00	2
3	Ball valve RS2 12L (with holes)	POD-HZW-000032	2	POD-HZW-000032	2
4	Extension cylinder pin	N272-3 05.10.02	4	N272-3 05.10.02	4
5	Cotter pin 6.3 x 50, galv.	POD-ELZ-000440	4	POD-ELZ-000440	4
6	Lubricating nipple M6 x 1.0 straight	23SM	4	23SM	4
7	Cross over relief valve VBDC3802 210b - VAU 1/2cal	24ZP	1	24ZP	1
8	Cap for EURO valve plug 13 (green, yellow, blue, red)	24ZWNE13	2	24ZWNE13	2
9*	Hydraulic hose RNMA/2_1/10 L-700	POD-HPR-000532	2	POD-HPR-000532	2
10*	Cylinder bottom pipe I, diam. 12, L-940		2		2
11*	Cylinder bottom pipe II, diam. 12, L-940		2		2
12*	Hydraulic hose AA/214/10 L-3000		2		2
13*	Hydraulic hose AA90/211/10 L-900		1		1
14*	Hydraulic hose AA90/211/10 L-2300		1		1
15*	Hydraulic hose RNMA/2_1/10 L-3400		1		1
16*	Hydraulic hose RNMA/2_1/10 L-2000		1		1

**Key:**

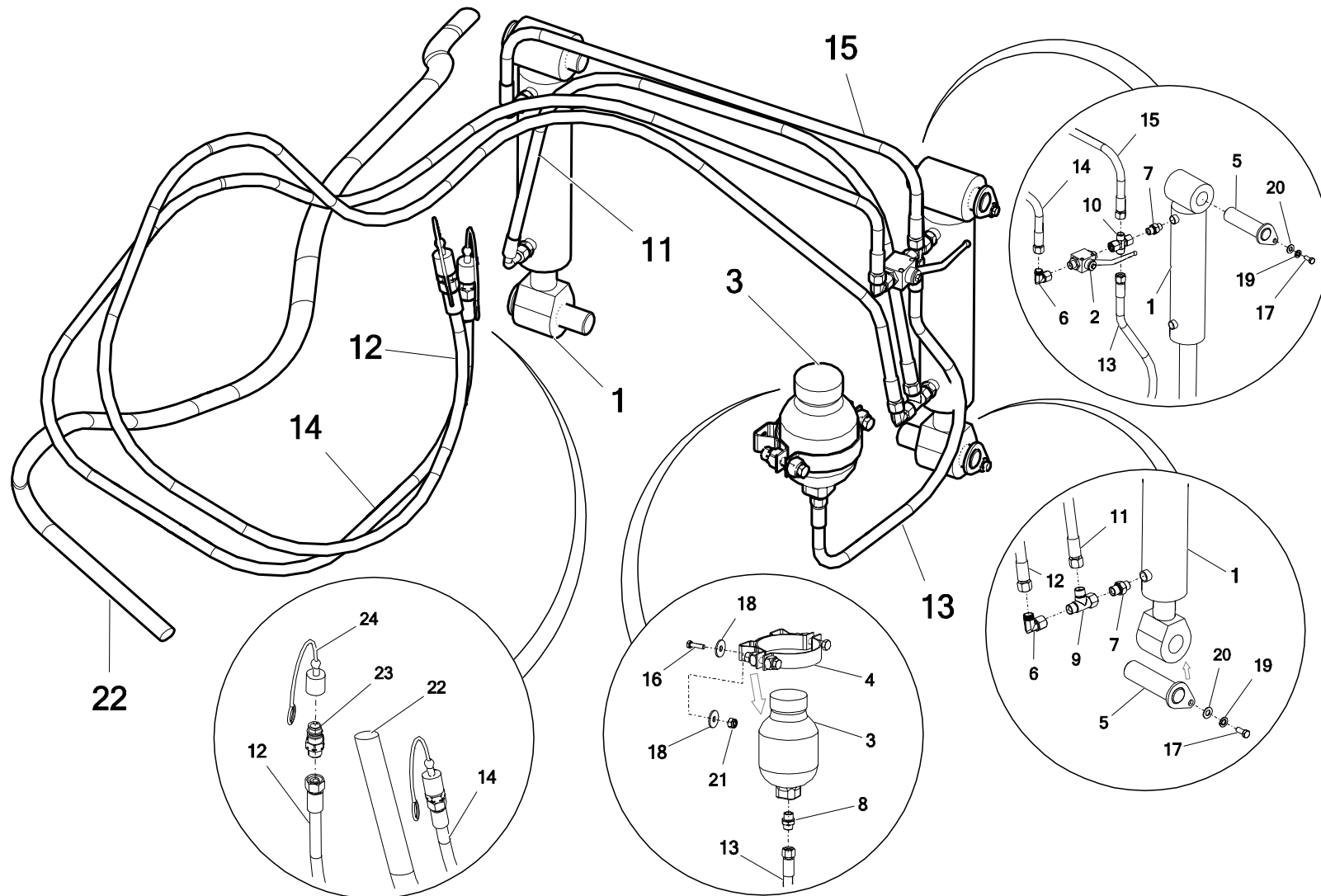
**9\*- 16\*** – included in: Set No. 41-2, the N272/3 VIKING 14T spreader (s+g) - **POD-HPR-000532**

### 49. SIX-SECTION HYDRAULIC SYSTEM - extension panel section



No.	Part or assembly name	Fig. or index No.			
		N272/3	Volum e	N272/6	Volum e
17	Straight connection 1/2 edx18-1.5	24KP1/2 18	4	24KP1/2 18	4
18	EURO valve-plug 13 M22 x 1.5	24ZWE13	2	24ZWE13	2
19	Metal-rubber washer PPM 3/4" (M27)	POD-HPZ-000052	8	POD-HPZ-000052	8
20	Eye bolt 1/2" 20 L36	24SO1/2"	4	24SO1/2"	4
21	Allen bolt 6 x 50 galv. 8.8 82302	POD-ELZ-000752	6	POD-ELZ-000752	6
22	T-connector 18 x 18 x 18 12L	24KT18/18/18	2	24KT18/18/18	2
23	Textile sleeve diam. 50, L-2500 (for hydraulic hoses) N272 03.21.00	N272 03.21.00	1	N272 03.21.00	1

### 50. SIX-SECTION HYDRAULIC SYSTEM – drawbar shock absorption section



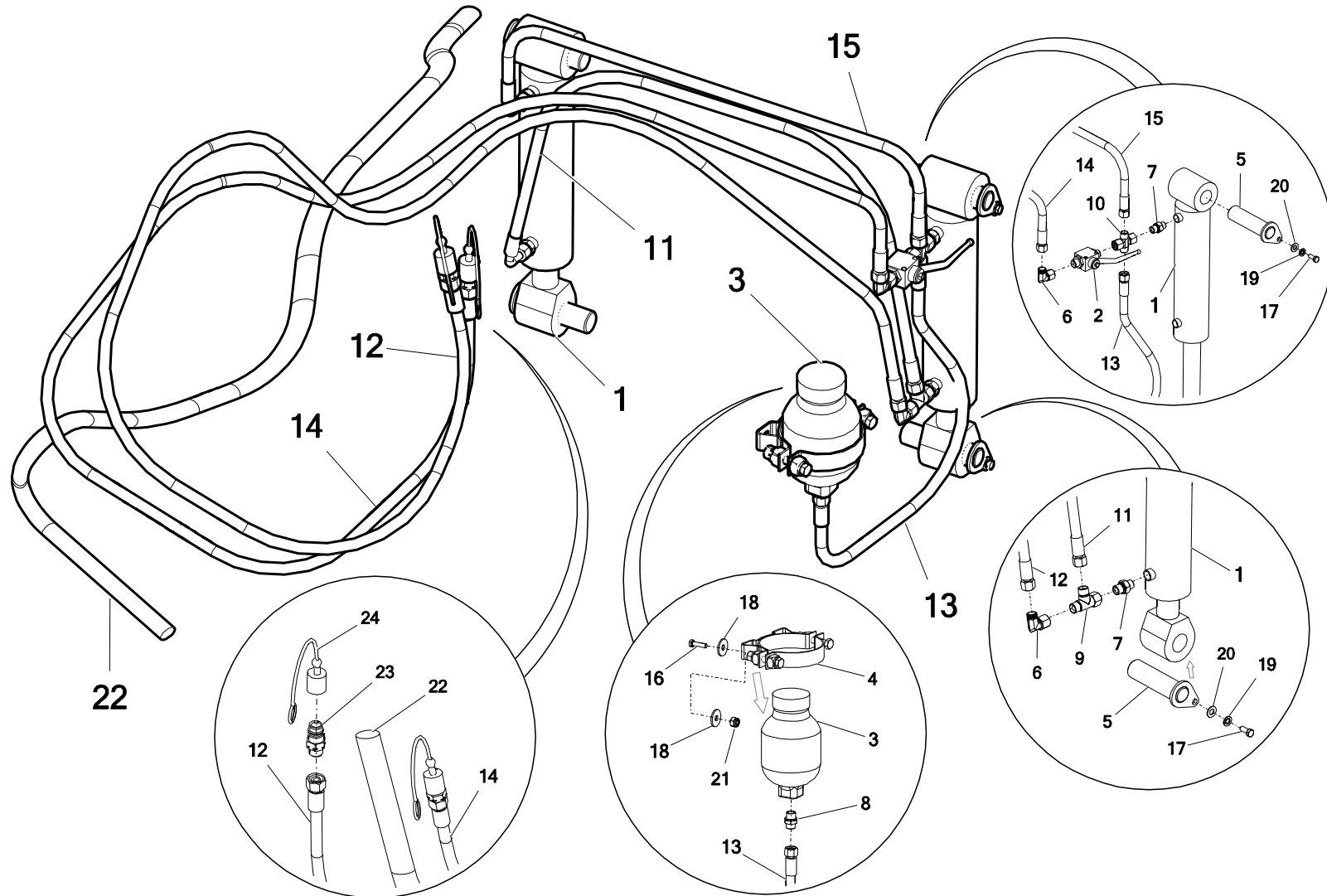
No.	Part or assembly name	Fig. or index No.			
		N272/3	Volume	N272/6	Volume
1*	Membrane	POD-OGL-000722	2	POD-OGL-000722	2
2	Ball valve RS2 12L (with holes)	POD-HZW-000032	1	POD-HZW-000032	1
3*	Hydraulic accumulator	POD-OGL-000722	1	POD-OGL-000722	1
4	Hydraulic brakes - clamping ring for the battery 0.75L/ 1.5L/3L (21001623)	POD-HPZ-000116	1	POD-HPZ-000116	1
5	Sprung drawbar pin	N272-3 01.08.00	4	N272-3 01.08.00	4
6	Adjustable elbow connector AB M22 x 1.5 15L	24KPKN22X1.5	2	24KPKN22X1.5	2
7	Straight connector 3/8 x 18-1.5 12LR	24KP3/8 18	4	24KP3/8 18	4
8	Straight connection 1/2 edx18-1.5	24KP1/2 18	1	24KP1/2 18	1
9	T-connector, asymmetrical 18 x 18 x 18-1.5 12L with nut on side	POD-HKR-000121	1	POD-HKR-000121	1
10	Four-way fitting M18 x 1.5 12L (2 nuts)	POD-HKR-000175	1	POD-HKR-000175	1
11*	Hydraulic hose AA90/211/10 L-1500	POD-HPR-000532	1	POD-HPR-000532	1
12*	Hydraulic hose AA/214/10 L-3000		1		1
13*	Hydraulic hose AA/211/10 L-900		1		1
14*	Hydraulic hose AA/214/10 L-3000		1		1
15*	Hydraulic hose A90A/211/10 L-1000		1		1

**Key:**

**1\*, 3\*** – included in: Shock absorption set for the drawbar, 2 cylinders - **POD-OGL-000722**

**11\*- 15\*** – included in: Set No. 41-2, the N272/3 VIKING 14T spreader (s+g) - **POD-HPR-000532**

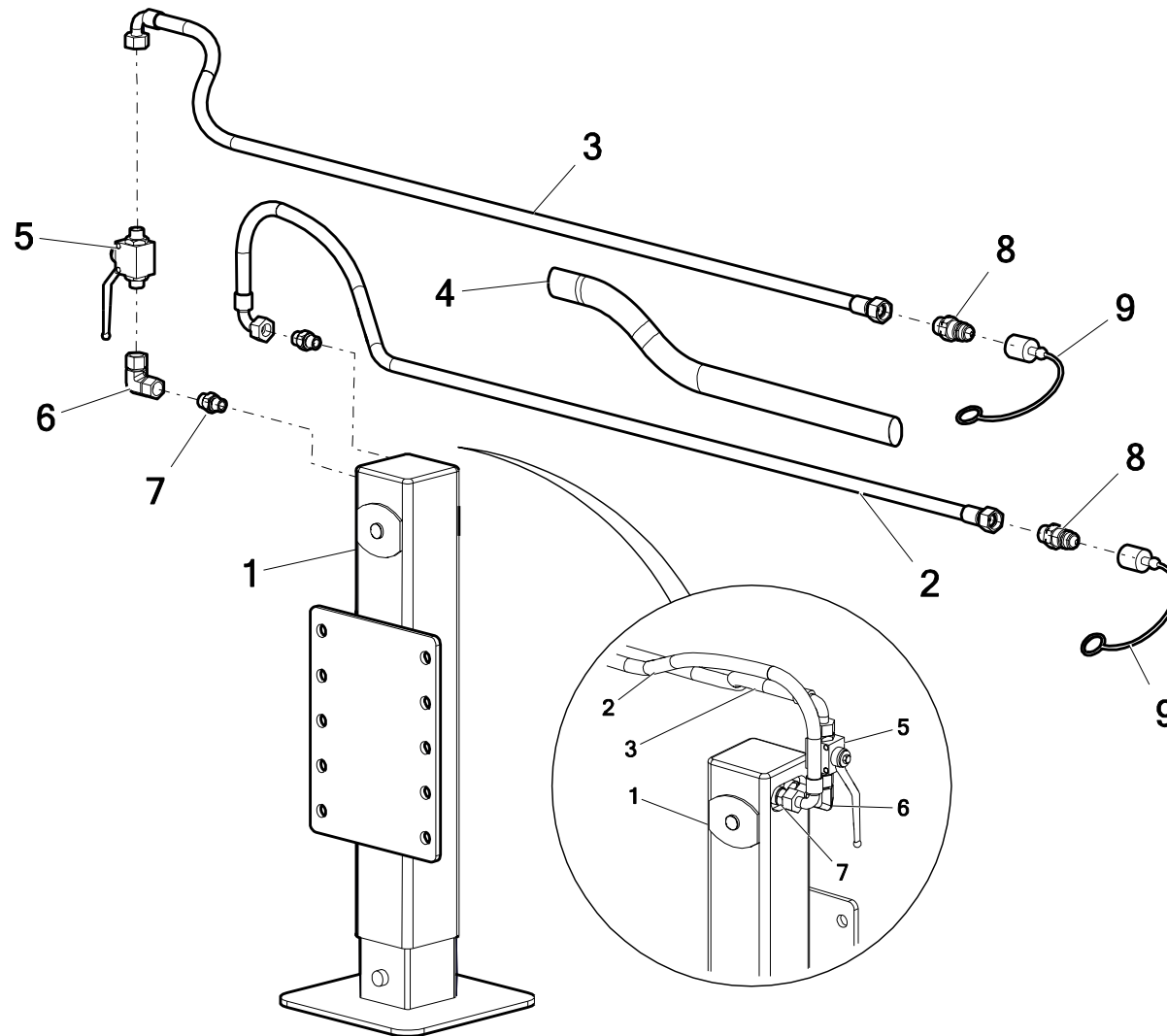
### 50. SIX-SECTION HYDRAULIC SYSTEM – drawbar shock absorption section



No.	Part or assembly name	Fig. or index No.			
		N272/3	Volume	N272/6	Volume
16	Bolt 8 x 30, galv. 82105	23S8-30OC 8.8	2	23S8-30OC 8.8	2
17	Bolt 10 x 20, galv. 8.8 82105 82105	23S10/20OC 8.8	4	23S10/20OC 8.8	4
18	Round washer 8 galv. coated 82030	23P8OC 82030	4	23P8OC 82030	4
19	Spring washer 10.2 galv. 82008 82008	23P10SP	4	23P10SP	4
20	Round washer 30 galv. 82005 82005	23P10 82005	4	23P10 82005	4
21	Self-locking nut M8 galv. 82175 8 82175 8	23NS8OC	2	23NS8OC	2
22	Textile sleeve diam. 50, L-2500 (for hydraulic hoses) N272 03.21.00	N272 03.21.00	1	N272 03.21.00	1
23	EURO valve-plug 13 M22 x 1.5	24ZWE13	2	24ZWE13	2
24	Cap for EURO valve plug 13 (green, yellow, blue, red)	24ZWNE13	2	24ZWNE13	2



### 51. SIX-SECTION HYDRAULIC SYSTEM - hydraulic foot section

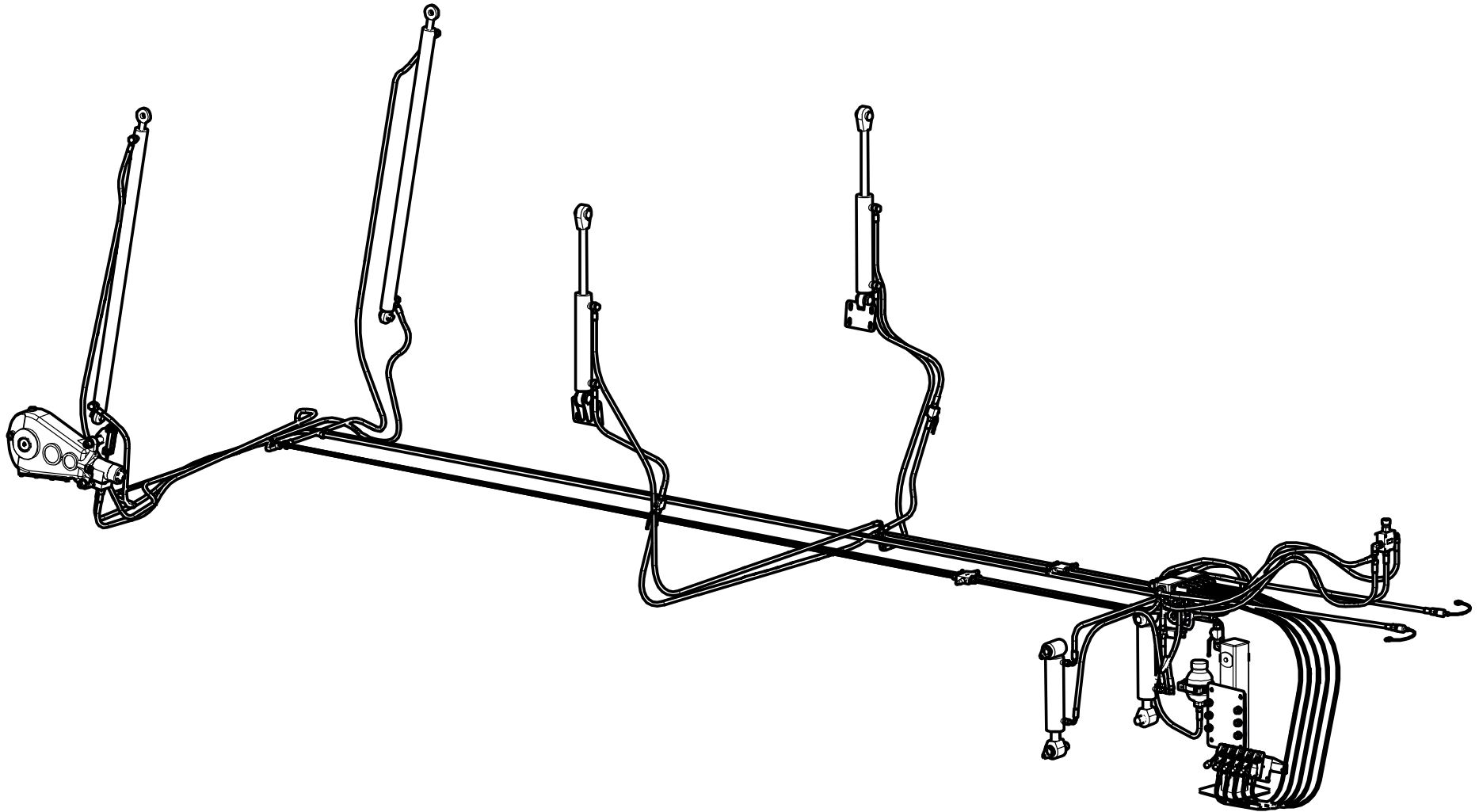


No.	Part or assembly name	Fig. or index No.			
		N272/3	Volume	N272/6	Volume
1	Welded hydraulic foot N274 16.02.00	N274 16.02.00 N274 16.01.00	1	N274 16.02.00	1
2*	Hydraulic hose A90A/214/10 L-2900	POD-HPR-000454	1	POD-HPR-000454	1
3*	Hydraulic hose A90A/214/10 L-3000		1		1
4	Textile sleeve diam. 50, L-2500 (for hydraulic hoses) N272 03.21.00	N272 03.21.00	1	N272 03.21.00	1
5	Ball valve RS2 12L (with holes)	POD-HZW-000032	1	POD-HZW-000032	1
6	Adjustable elbow connector AA M18 x 1.5 12L	POD-HKR-000120	1	POD-HKR-000120	1
7	Straight connector 3/8 x 18-1.5 12LR	24KP3/8 18	2	24KP3/8 18	2
8	Euro valve-plug 13 M22 x 1.5	24WE13	2	24WE13	2
9	Cap for EURO valve plug 13 (green, yellow, blue, red)	24ZWNE13	2	24ZWNE13	2

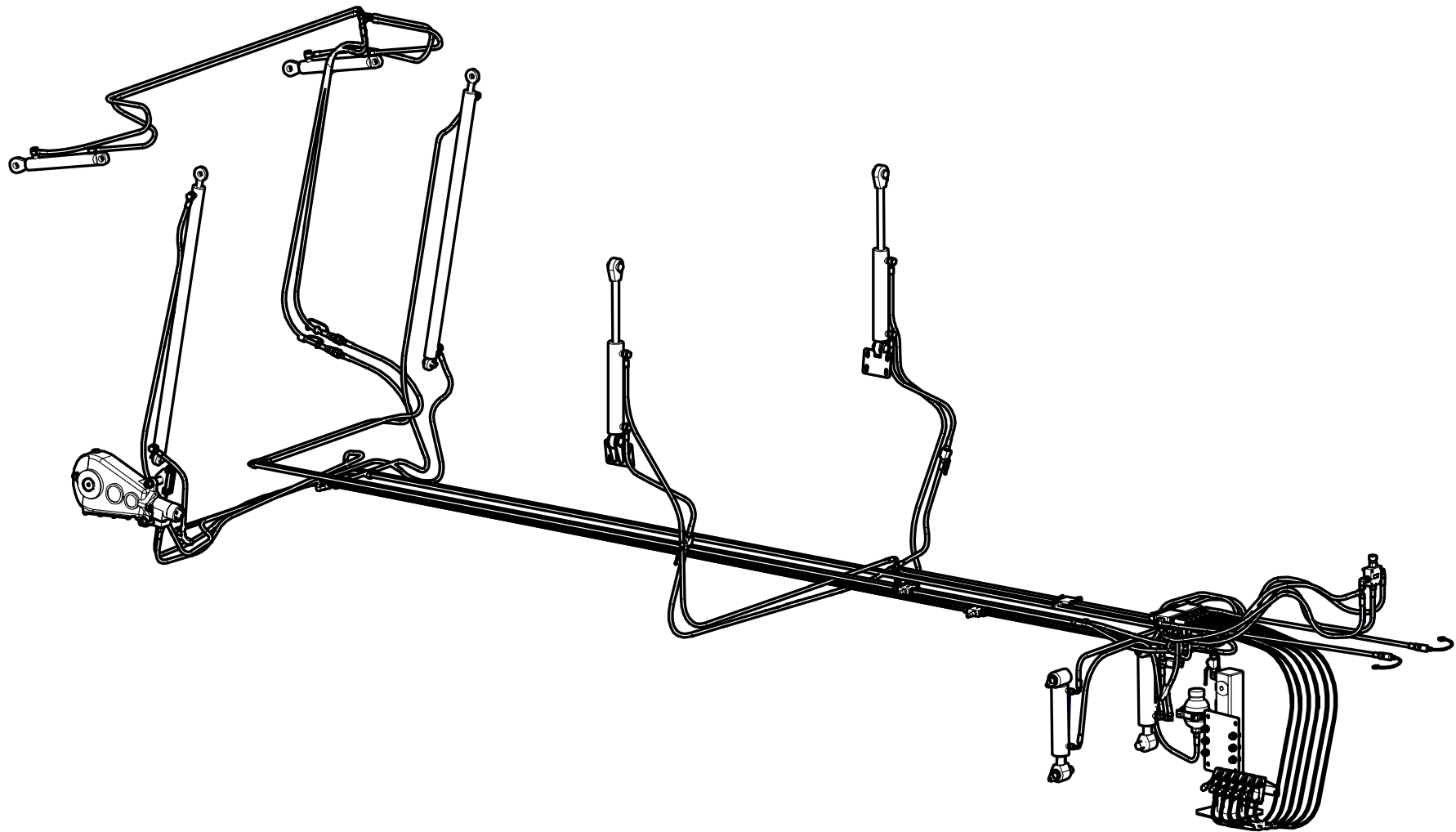
**Key:**

**2\*, 3\*** - included in: Set No. 60 hydraulic foot - **POD-HPR-000454**

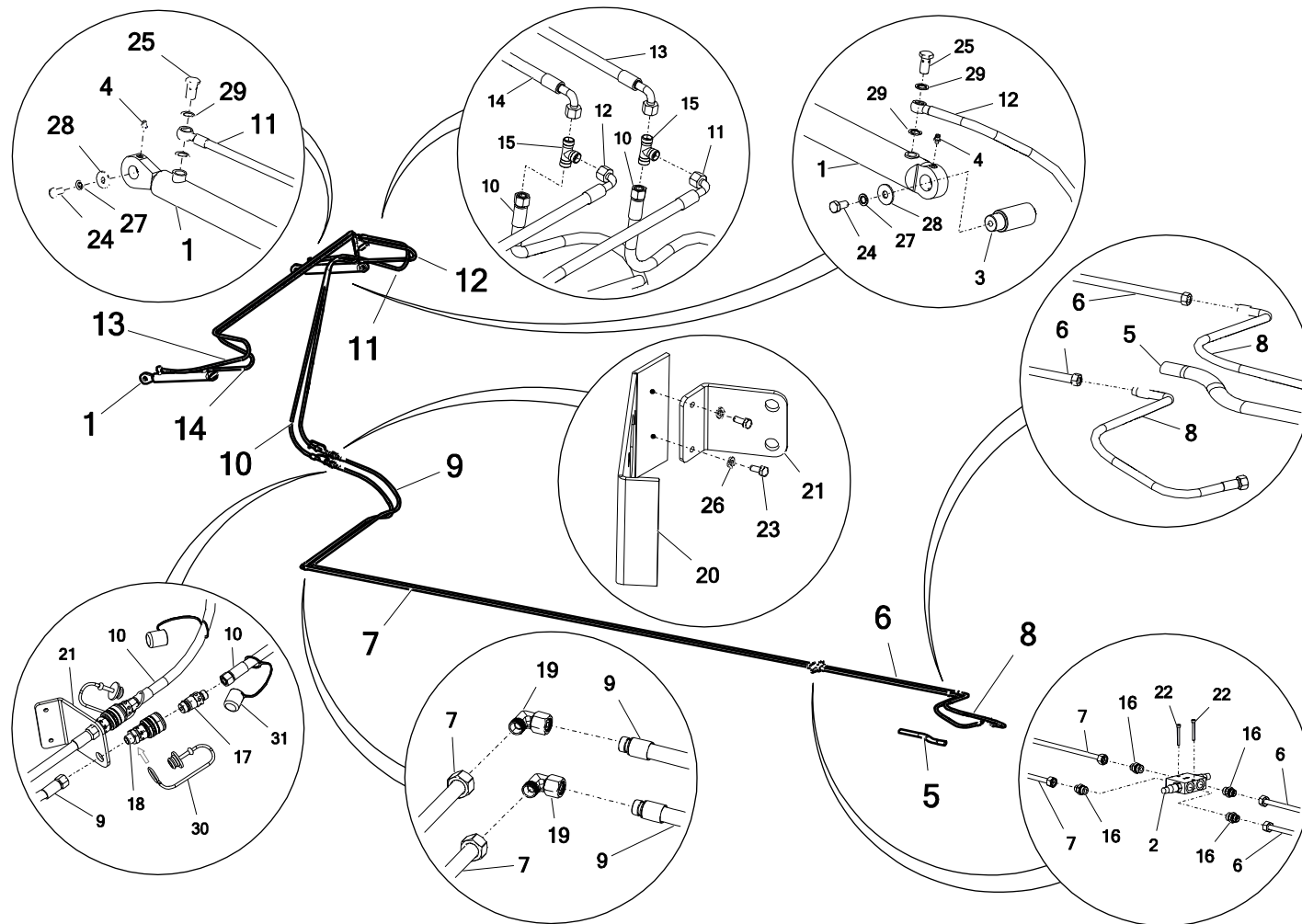
**52. FIVE-SECTION HYDRAULIC SYSTEM WITH A DISTRIBUTOR, COMPLETE**



**53. SIX-SECTION HYDRAULIC SYSTEM WITH A DISTRIBUTOR, COMPLETE**



### 54. SIX-SECTION HYDRAULIC SYSTEM WITH A DISTRIBUTOR - horizontal adapter guard section



No.	Part or assembly name	Fig. or index No.			
		N272/3	Volume	N272/6	Volume
1	Cylinder 50/28/300z+U L-532	24SCJ2F-16-50/28/300	2	24SCJ2F-16-50/28/300	2
2	Cross over relief valve VBDC3802 210b - VAU 1/2cal	24ZP	1	24ZP	1
3*	Cylinder pin	N272 11.02.05	2	N272 11.02.05	2
4	Lubricating nipple M8 x 1.0 simple	23SM	4	23SM	4
5	Textile sleeve diam. 50, L-2500 (for hydraulic hoses) N272 03.21.00	N272 03.21.00	1	N272 03.21.00	1
6*	Cylinder bottom pipe I, diam. 12, L-940	POD-HPR-000810	2	POD-HPR-000810	2
7*	Cylinder bottom pipe II, diam. 12, L-3700		2		2
8*	Hydraulic hose A90B/211/10 L-900		2		2
9*	Hydraulic hose AB/211/10 L-2050		2		2
10*	Hydraulic hose AA/211/10 L-1900		2		2
11*	Hydraulic hose RNMA90/211/10 L-1200		1		1
12*	Hydraulic hose RNMA90/211/10 L-800		1		1
13*	Hydraulic hose RNMA90/211/10 L-3150		1		1

**Key:**

**3\*** - inseparable part: Left frame - **N272-3 11.02.00**

**6\*- 13\*** – included in: Set No. 41-2.2, the N272/3 VIKING 14T spreader with a horizontal adapter distributor (s+g) - **POD-HPR-000810**



No.	Part or assembly name	Fig. or index No.			
		N272/3	Volume	N272/6	Volume
14*	Hydraulic hose RNMA90/211/10 L-2750	POD-HPR-000810	1	POD-HPR-000810	1
15	T-connector 18 x 18 x 18 12L	24KT18/18/18	2	24KT18/18/18	2
16	Straight connection 1/2 edx18-1.5	24KP1/2 18	4	24KP1/2 18	4
17	EURO valve-plug 13 M18 x 1.5	24ZWE13-M18X1.5	2	24ZWE13-M18X1.5	2
18	EURO valve seat M18 x 1.5 long	POD-HZW-000039	2	POD-HZW-000039	2
19	Adjustable elbow connector AB M18 x 1.5 12L	24KPKN18X1.5	2	24KPKN18X1.5	2
20*	Shaft reinforcement, left side	N272-3 03.01.107L	1	N272-3 03.01.107L	1
21	Support for quick release coupling sockets	N272 03.00.12	1	N272 03.00.12	1
22	Allen bolt 6 x 50 galv. 8.8 82302	POD-ELZ-000752	2	POD-ELZ-000752	2
23	Bolt 8 x 20 galv. 8.8 82105 82105	23S8/20OC 8.8	2	23S8/20OC 8.8	2
24	Screw 12 x 25 galv. 8.8 82105 82105	23S12/25OC 8.8	4	23S12/25OC 8.8	4
25	Eye bolt M16 x 1.5 15 L31	24SO16/1.5	4	24SO16/1.5	4
26	Round washer 8 galv. 82005 82005	23P8OOC	2	23P8OOC	2

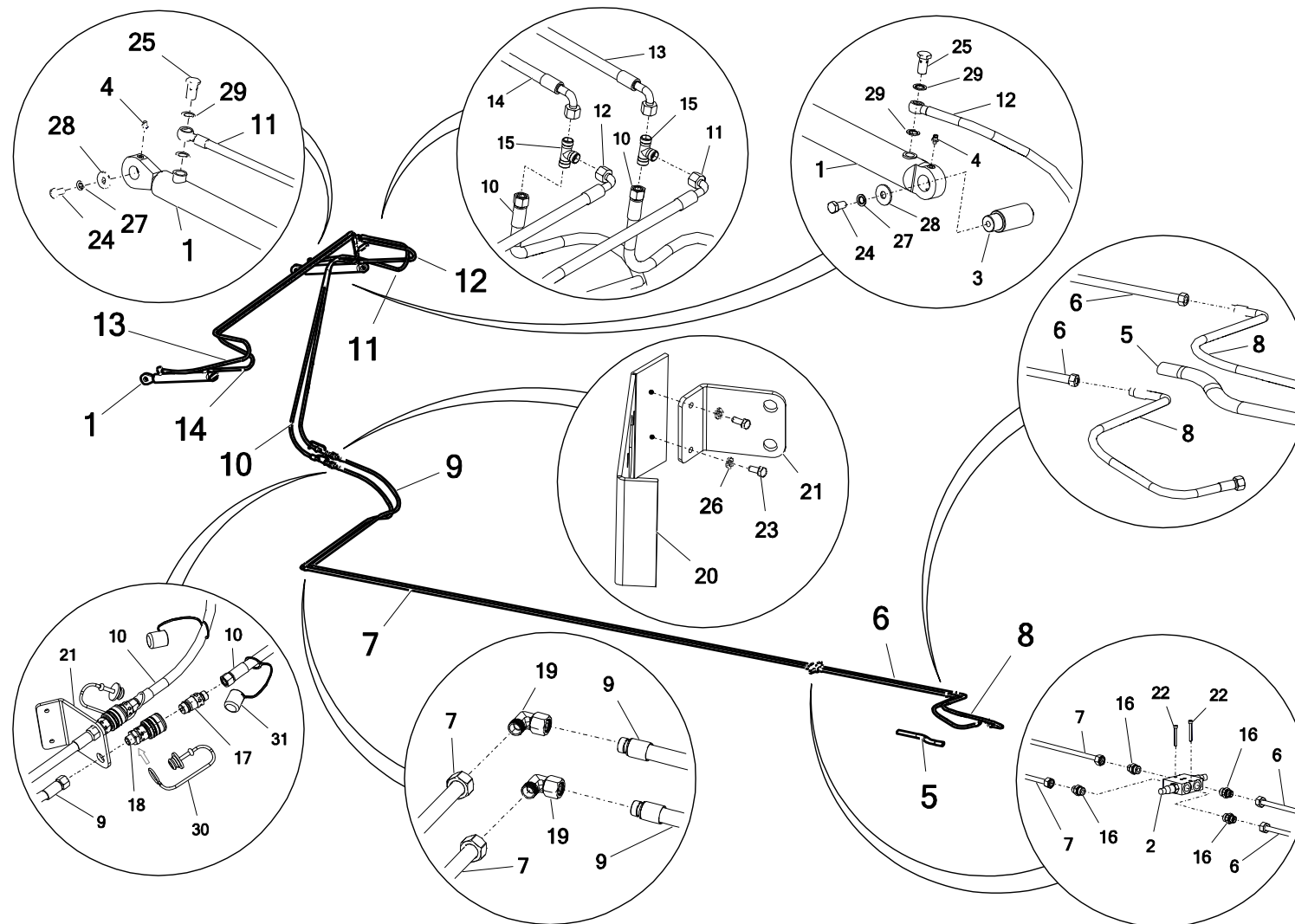
**Key:**

**20\*** - inseparable part: Shell - N272-3 03.01.00.4

**6\*- 13\*** – included in: Set No. 41-2.2, the N272/3 VIKING 14T spreader with a horizontal adapter distributor (s+g) - **POD-HPR-000810**

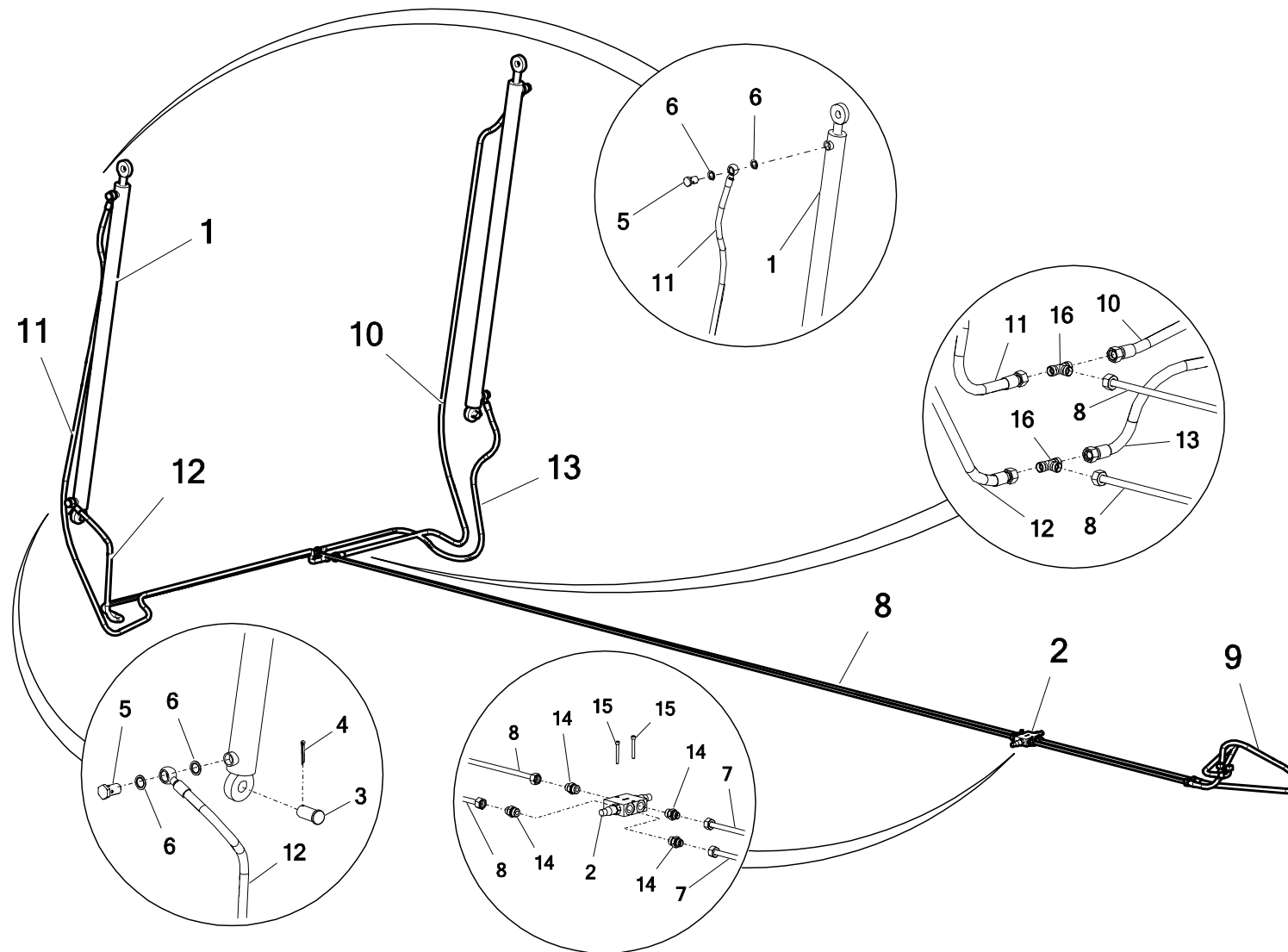


### 54. SIX-SECTION HYDRAULIC SYSTEM WITH A DISTRIBUTOR - horizontal adapter guard section



No.	Part or assembly name	Fig. or index No.			
		N272/3	Volume	N272/6	Volume
27	Spring washer 12 galv. 82008 82008	23P12SP	4	23P12SP	4
28	Washer, round 12 galv. coat. 82030	23P12OOC	4	23P12OOC	4
29	Metal & rubber washer PPM16 24 x 16	24UPPM16	8	24UPPM16	8
30	Valve socket cap EURO13 (green, yellow, blue, red)	24ZGNE13	2	24ZGNE13	2
31	Cap for EURO valve plug 13 (green, yellow, blue, red)	24ZWNE13	2	24ZWNE13	2

### 55. SIX-SECTION HYDRAULIC SYSTEM WITH A DISTRIBUTOR - gate valve section

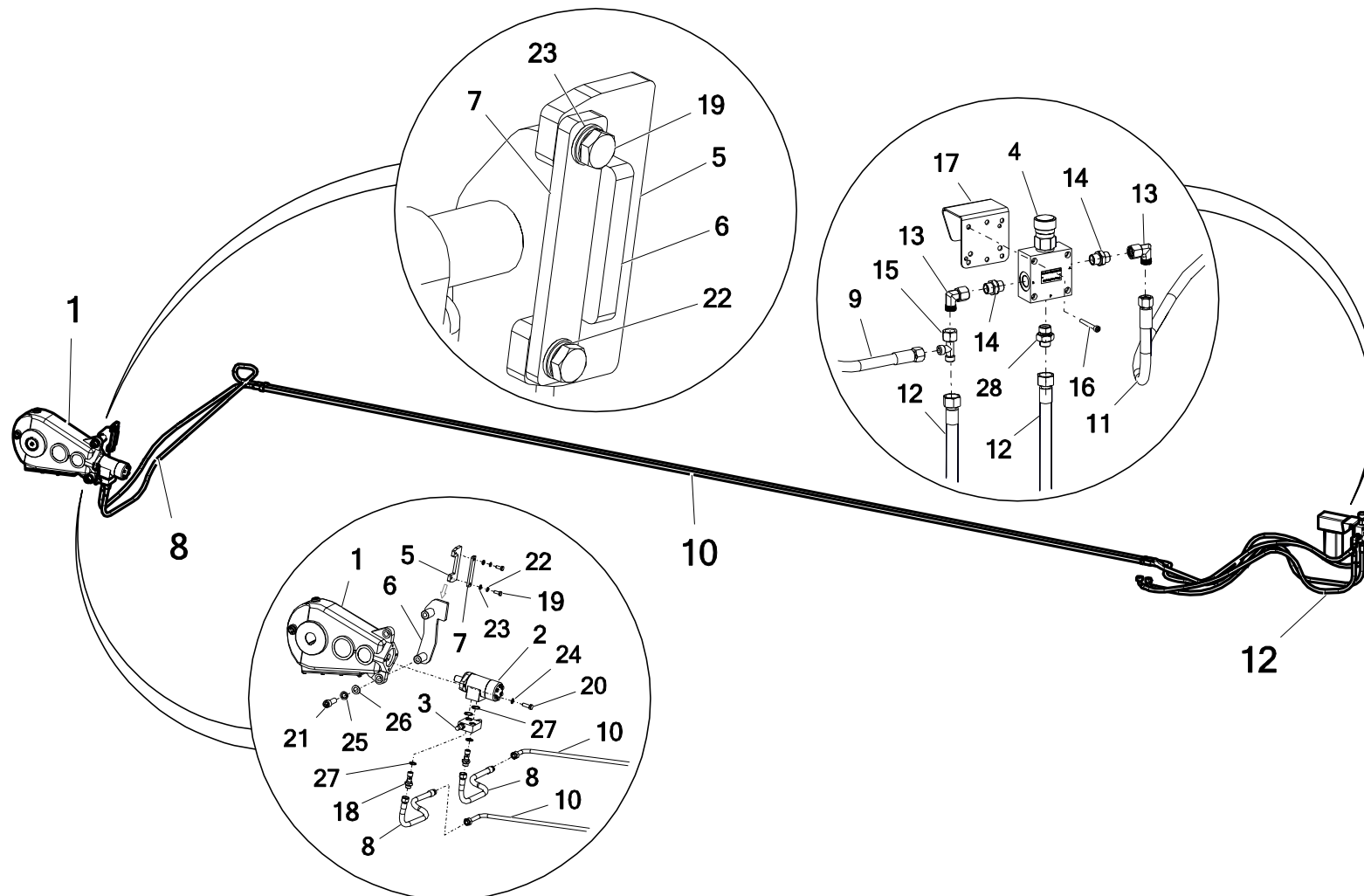


No.	Part or assembly name	Fig. or index No.			
		N272/3	Volume	N272/6	Volume
1	Cylinder UCJ283-50/28/1500*L-1677	POD-HSL-000157	2	POD-HSL-000157	2
2	Cross over relief valve VBDC3802 210b -VAU 1/2cal	24ZP	1	24ZP	1
3	Tailgate bolt N272-3 04.03.02	N272-3 04.03.02	2	N272-3 04.03.02	2
4	Cotter pin 5 x 40	POD-ELZ-000994	2	POD-ELZ-000994	2
5	Eye bolt 1/2" 20 L36	24SO1/2"	4	24SO1/2"	4
6	Metal-rubber washer PPM 3/4" (M27)	POD-HPZ-000052	4	POD-HPZ-000052	4
7*	Cylinder bottom pipe I, diam. 12, L-940	POD-HPR-000536	2	POD-HPR-000536	2
8*	Cylinder bottom pipe II, diam. 12, L-3700		2		2
9*	Hydraulic hose A90B/211/10 L-900		2		2
10*	Hydraulic hose RNMA/2_1/10 L-2900		1		1
11*	Hydraulic hose RNMA/2_1/10 L-3550		1		1
12*	Hydraulic hose RNMA/2_1/10 L-2100		1		1
13*	Hydraulic hose RNMA/2_1/10 L-1350		1		1
14	Straight connection 1/2 edx18-1.5	24KP1/2 18	4	24KP1/2 18	4
15	Allen bolt 6 x 50 galv. 8.8 82302	POD-ELZ-000752	2	POD-ELZ-000752	2
16	T-connector 18 x 18 x 18 12L	24KT18/18/18	2	24KT18/18/18	2

**Key:**

7\*- 13\* - included in: Set No. 41-3, the N272/3 VIKING 14T spreader (six-section distributor) (s+g) - **POD-HPR-000536**

## 56. SIX-SECTION HYDRAULIC SYSTEM WITH A DISTRIBUTOR - floor conveyor section



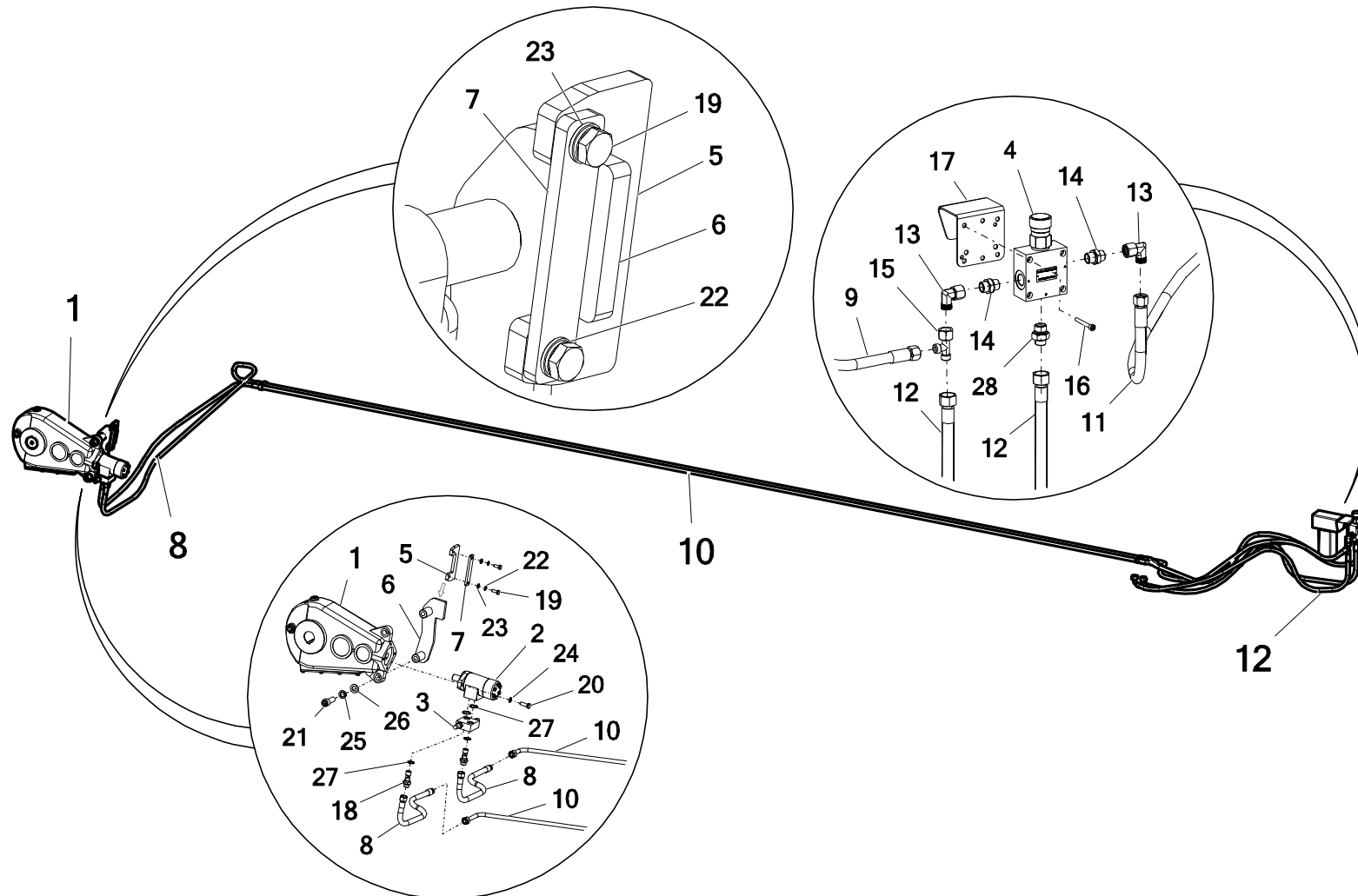
No.	Part or assembly name	Fig. or index No.			
		N272/3	Volume	N272/6	Volume
1	Gearbox PRK-550-01.AAB.R1 - side (N272/3)	POD-WPS-000153	1	POD-WPS-000153	1
2	OMR 200 (BMR) hydraulic motor	24S200	1	24S200	1
3	Valve block VAU OM 1-2 WSC - 100/100 bar	POD-HZW-000099	1	—————	—
	Valve block VAU OM 1/2" WSC + bolts with washers (120/120 bar)	—————	—	POD-HZW-000133	1
4	Flow control valve TVTC-UDUE10-22/50-4 - Ponar	POD-HZW-000113	1	POD-HZW-000113	1
5*	Gearbox interlock VIKING	N272-3 03.01.144	1	N272-3 03.01.144	1
6	Side gearbox mounting, complete	N272-3 03.39.00	1	N272-3 03.39.00	1
7	Gear mounting protection	N272-3 03.00.11	1	N272-3 03.00.11	1
8	Hydraulic hose AB/233/13 L-2200	POD-HPR-000536	2	POD-HPR-000536	2
9	Hydraulic hose AB/233/13 L-2550		1		1
10	Conveyor steel pipe, diam. 15, L-5000		2		2
11	Hydraulic hose AB/233/13 L-2700		1		1
12	Hydraulic hose AA/233/13 L-2000		2		2
13	Adjustable elbow connector AB M22 x 1.5 15L	24KPKN22X1.5	2	24KPKN22X1.5	2

**Key:**

**5\*** - inseparable part of the body - **N272-3 03.01.00.3**

**8\* - 12\*** - included in: Set No. 41-3, the N272/3 VIKING 14T spreader (six-section distributor) (s+g) - **POD-HPR-000536**

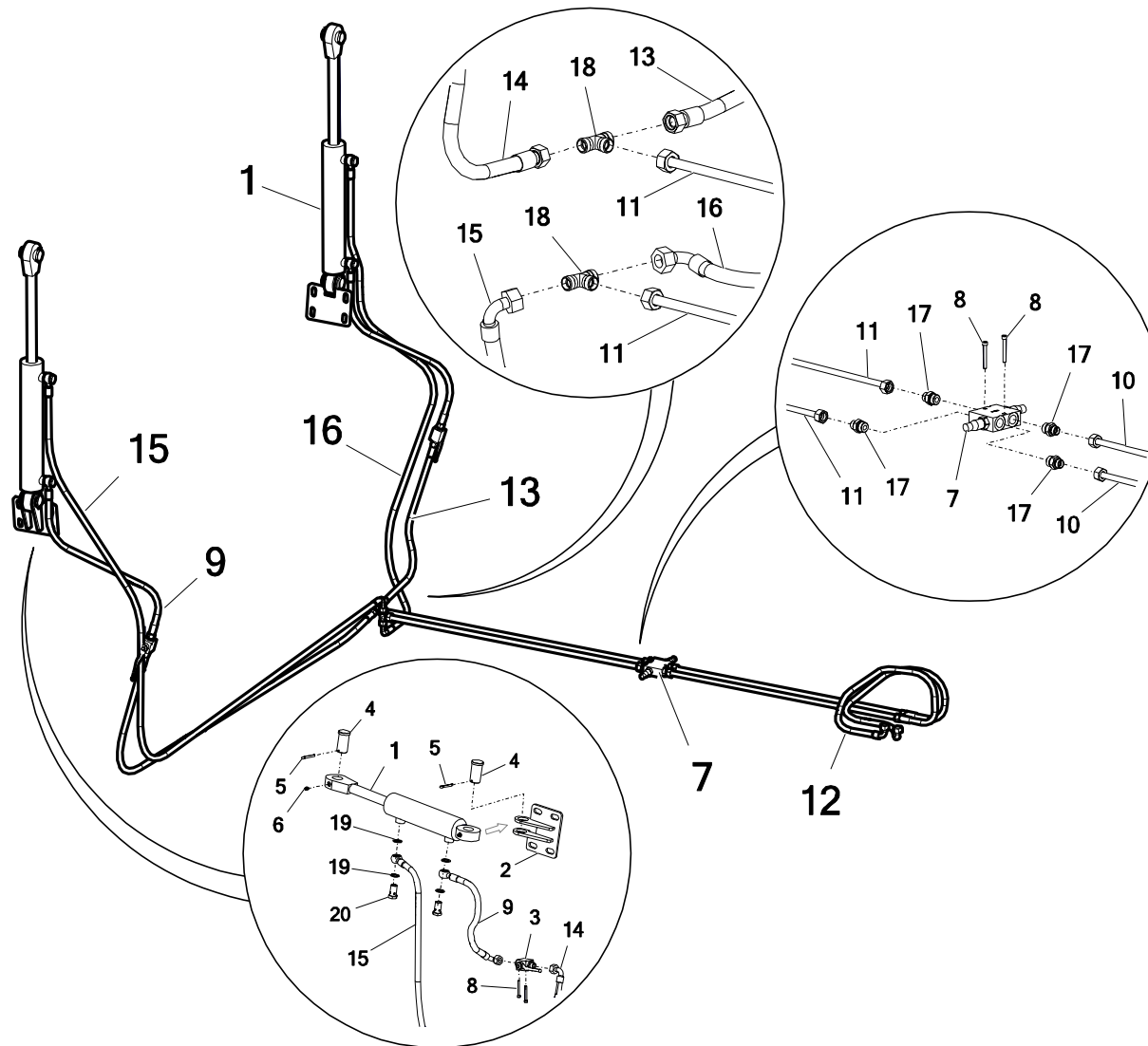
### 56. SIX-SECTION HYDRAULIC SYSTEM WITH A DISTRIBUTOR - floor conveyor section



No.	Part or assembly name	Fig. or index No.			
		N272/3	Volume	N272/6	Volume
14	Straight connector 1/2 edx22-1.5 15L	24K1/2 22	2	24K1/2 22	2
15	T-connector, asymmetrical 22 x 22 x 22-1.5 15L with nut on side	POD-HKR-000018	1	POD-HKR-000018	1
16	Allen bolt 6 x 50 galv. 8.8 82302	POD-ELZ-000752	4	POD-ELZ-000752	4
17	Flow regulator mounting	N272-3 01.06.091	1	N272-3 01.06.091	1
18	Hydraulic connecting bolt for the motor M22 x 1.5	POD-HZW-000099	2	POD-HZW-000099	2
19	Bolt 10 x 25 galv. 8.8 82105 82105	23S10/25OC 8.8	2	23S10/25OC 8.8	2
20	Bolt 12 x 35 galv. 8.8 82105 82105	23S12/35OC 8.8	2	23S12/35OC 8.8	2
21	Allen bolt 20 x 60 galv. 12.9 82302	POD-ELZ-000859	2	POD-ELZ-000859	2
22	Spring washer 10.2 galv. 82008 82008	23P10SP	2	23P10SP	2
23	Round washer 30 galv. 82005 82005	23P10 82005	2	23P10 82005	2
24	Spring washer 12 galv. 82008 82008	23P12SP	2	23P12SP	2
25	Spring washer, 20.5 galv. 82008 82008	23P20SP	2	23P20SP	2
26	Round washer 20 galv. 82005 82005	23P20OOC	2	23P20OOC	2
27	Metal-rubber washer PPM 3/4" (M27)	POD-HPZ-000052	4	POD-HPZ-000052	4
28	Straight connector 3/8 x 22 x 1.5	POD-HKR-000001-1	1	POD-HKR-000001-1	1



### 57. SIX-SECTION HYDRAULIC SYSTEM WITH A DISTRIBUTOR - expansion panel section

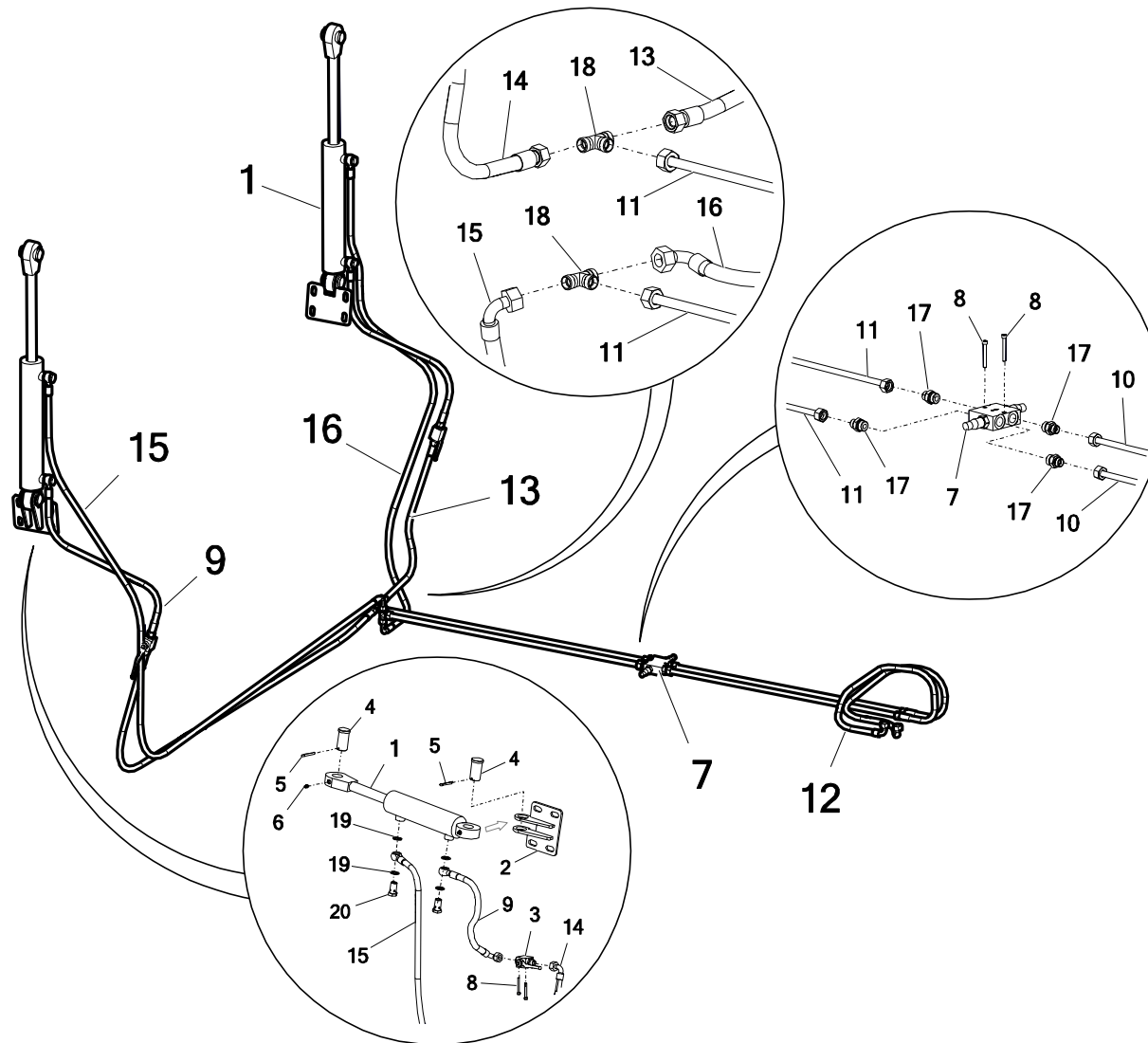


No.	Part or assembly name	Fig. or index No.			
		N272/3	Volume	N272/6	Volume
1	Cylinder UCJFW-63/36/300+UUE2s*L-282	POD-HSL-000156	2	POD-HSL-000156	2
2	Extension panel actuator bottom mounting, complete	N272-3 03.36.00	2	N272-3 03.36.00	2
3	Ball valve RS2 12L (with holes)	POD-HZW-000032	2	POD-HZW-000032	2
4	Extension cylinder pin	N272-3 05.10.02	4	N272-3 05.10.02	4
5	Cotter pin 6.3 x 50, galv.	POD-ELZ-000440	4	POD-ELZ-000440	4
6	Lubricating nipple M6 x 1.0 straight	23SM	4	23SM	4
7	Cross over relief valve VBDC3802 210b -VAU 1/2cal	24ZP	1	24ZP	1
8	Allen bolt 6 x 50 galv. 8.8 82302	POD-ELZ-000752	6	POD-ELZ-000752	6
9*	Hydraulic hose RNMA/2_1/10 L-700	POD-HPR-000536	2	POD-HPR-000536	2
10*	Cylinder bottom pipe I, diam. 12, L-940		2		2
11*	Cylinder bottom pipe II, diam. 12, L-940		2		2
12*	Hydraulic hose A90B/211/10 L-1200		2		2
13*	Hydraulic hose AA90/211/10 L-900		1		1
14*	Hydraulic hose AA90/211/10 L-2300		1		1
15*	Hydraulic hose RNMA/2_1/10 L-3400		1		1
16*	Hydraulic hose RNMA/2_1/10 L-2000		1		1

**Key:**

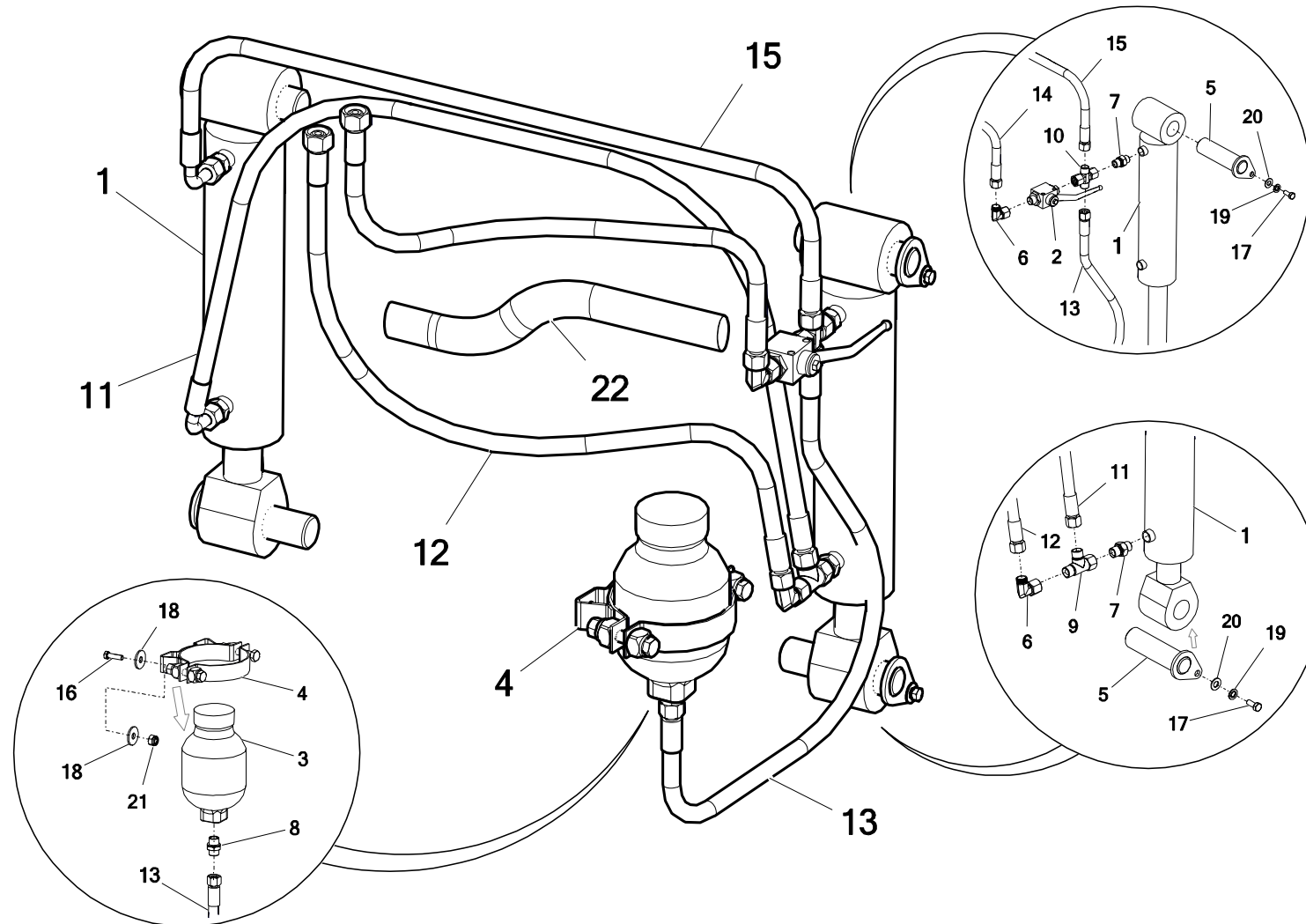
**9\*- 16\*** - included in: Set No. 41-3, the N272/3 VIKING 14T spreader (six-section distributor) (s+g) - **POD-HPR-000536**

### 57. SIX-SECTION HYDRAULIC SYSTEM WITH A DISTRIBUTOR - expansion panel section



No.	Part or assembly name	Fig. or index No.			
		N272/3	Volume	N272/6	Volume
17	Straight connection 1/2 edx18-1.5	24KP1/2 18	4	24KP1/2 18	4
18	T-connector 18 x 18 x 18 12L	24KT18/18/18	2	24KT18/18/18	2
19	Metal-rubber washer PPM 3/4" (M27)	POD-HPZ-000052	8	POD-HPZ-000052	8
20	Eye bolt 1/2" 20 L36	24SO1/2"	4	24SO1/2"	4

### 58. SIX-SECTION HYDRAULIC SYSTEM WITH A DISTRIBUTOR – drawbar shock absorption section



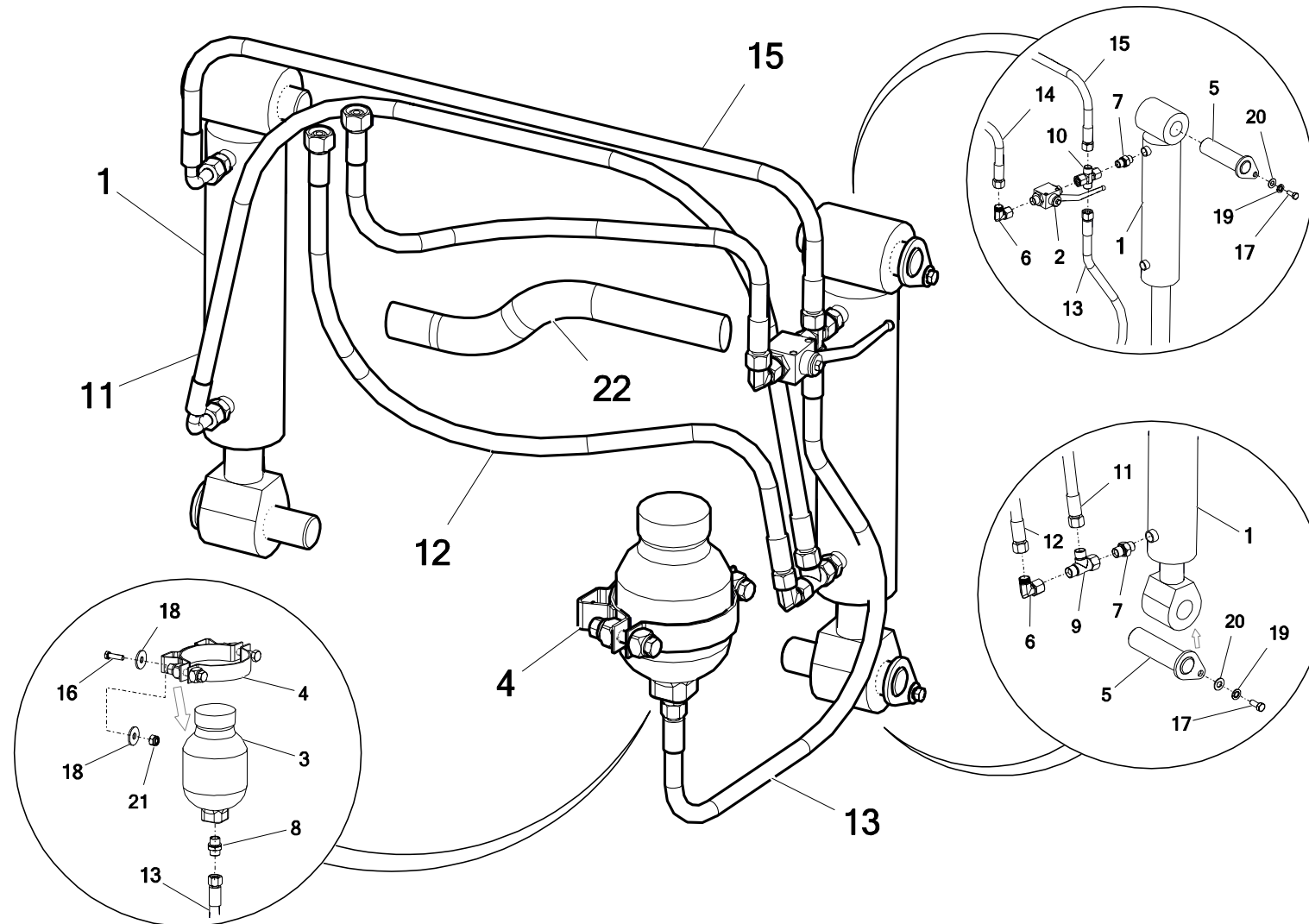
No.	Part or assembly name	Fig. or index No.			
		N272/3	Volume	N272/6	Volume
1*	Membrane	POD-OGL-000722	2	POD-OGL-000722	2
2	Ball valve RS2 12L (with holes)	POD-HZW-000032	1	POD-HZW-000032	1
3*	Battery	POD-OGL-000722	1	POD-OGL-000722	1
4	Hydraulic brakes - clamping ring for the battery 0.75L/ 1.5L/3L (21001623)	POD-HPZ-000116	1	POD-HPZ-000116	1
5	Sprung drawbar pin	N272-3 01.08.00	4	N272-3 01.08.00	4
6	Adjustable elbow connector AB M22 x 1.5 15L	24KPKN22X1.5	2	24KPKN22X1.5	2
7	Straight connector 3/8 x 18-1.5 12LR	24KP3/8 18	4	24KP3/8 18	4
8	Straight connection 1/2 edx18-1.5	24KP1/2 18	1	24KP1/2 18	1
9	T-connector, asymmetrical 18 x 18 x 18-1.5 12L with nut on side	POD-HKR-000121	1	POD-HKR-000121	1
10	Four-way fitting M18 x 1.5 12L (2 nuts)	POD-HKR-000175	1	POD-HKR-000175	1
11*	Hydraulic hose AA90/211/10 L-1500	POD-HPR-000536	1	POD-HPR-000536	1
12*	Hydraulic hose AA90/211/10 L-1000		1		1
13*	Hydraulic hose AA/211/10 L-900		1		1
14*	Hydraulic hose AA90/211/10 L-850		1		1
15*	Hydraulic hose A90A/211/10 L-1000		1		1

**Key:**

**1\*, 3\*** – included in: Shock absorption set for the drawbar, 2 cylinders - **POD-OGL-000722**

**11\*- 15\*** – included in: Set No. 41-3, the N272/3 VIKING 14T spreader (six-section distributor) (s+g) - **POD-HPR-000536**

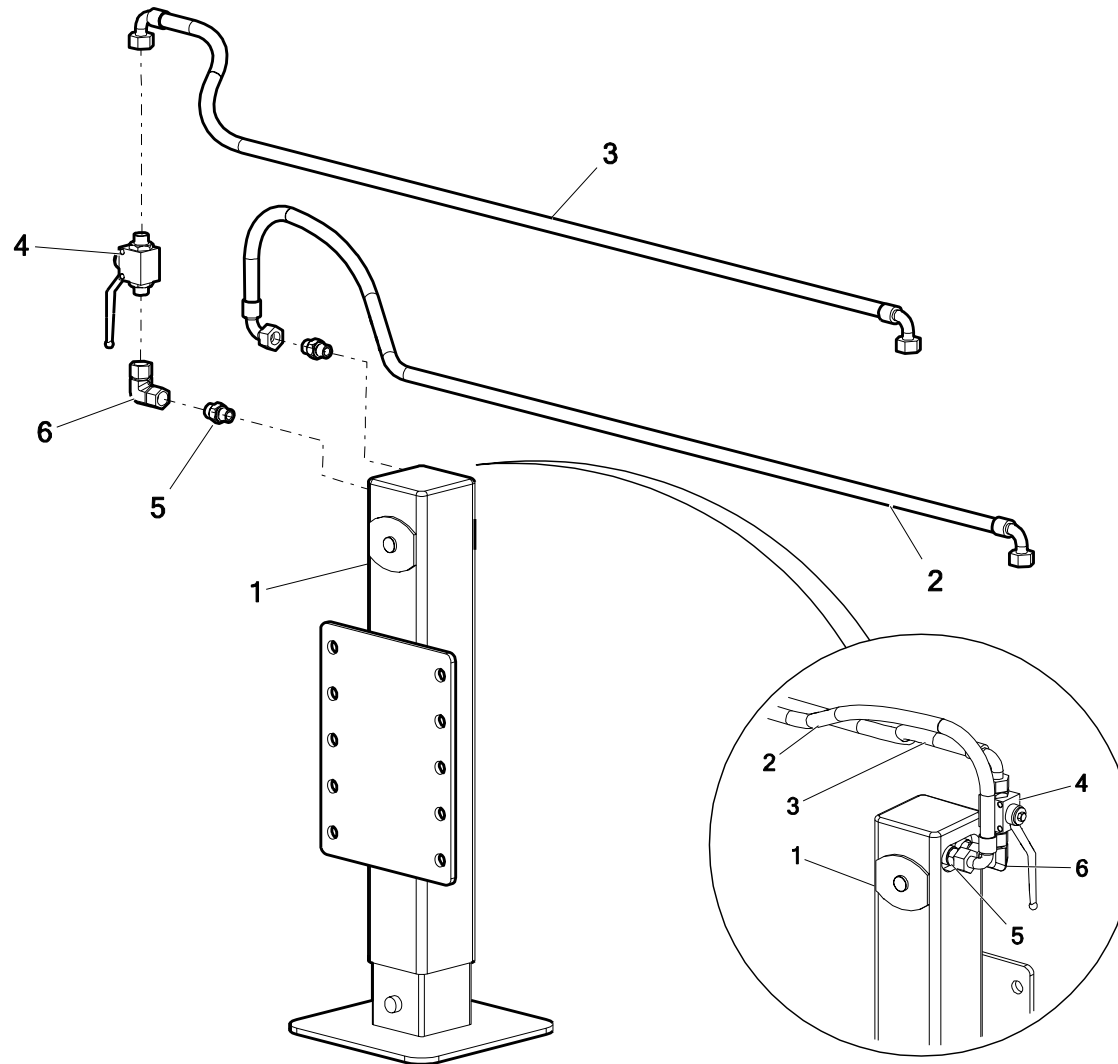
### 58. SIX-SECTION HYDRAULIC SYSTEM WITH A DISTRIBUTOR – drawbar shock absorption section



No.	Part or assembly name	Fig. or index No.			
		N272/3	Volume	N272/6	Volume
16	Bolt 8 x 30, galv. 82105	23S8-30OC 8.8	2	23S8-30OC 8.8	2
17	Bolt 10 x 20, galv. 8.8 82105 82105	23S10/20OC 8.8	4	23S10/20OC 8.8	4
18	Round washer 8 galv. coated 82030	23P8OC 82030	4	23P8OC 82030	4
19	Spring washer 10.2 galv. 82008 82008	23P10SP	4	23P10SP	4
20	Round washer 30 galv. 82005 82005	23P10 82005	4	23P10 82005	4
21	Self-locking nut M8 galv. 82175 8 82175 8	23NS8OC	2	23NS8OC	2
22	Textile sleeve diam. 50, L-2500 (for hydraulic hoses) N272 03.21.00	N272 03.21.00	1	N272 03.21.00	1



### 59. SIX-SECTION HYDRAULIC SYSTEM WITH A DISTRIBUTOR - support foot section

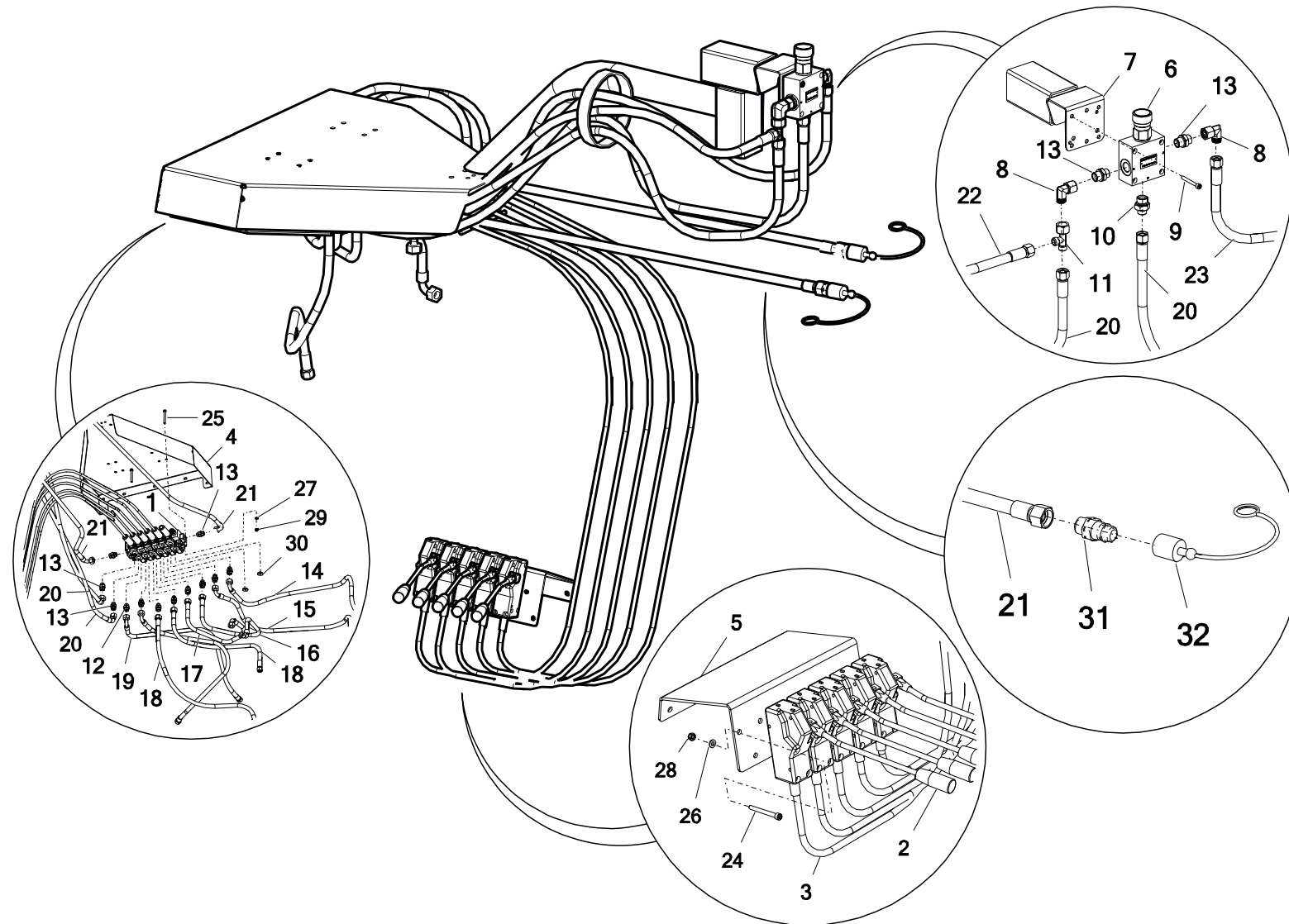


No.	Part or assembly name	Fig. or index No.			
		N272/3	Volume	N272/6	Volume
1	Welded hydraulic foot	N274 16.02.00	1	N274 16.01.00	1
2*	Hydraulic hose AA90/211/10 L-1000	POD-HPR-000536	1	POD-HPR-000536	1
3*	Hydraulic hose A90A/211/10 L-900		1		1
4	Ball valve RS2 12L (with holes)	POD-HZW-000032	1	POD-HZW-000032	1
5	Straight connector 3/8 x 18-1.5 12LR	24KP3/8 18	2	24KP3/8 18	2
6	Adjustable elbow connector AA M18 x 1.5 12L	POD-HKR-000120	1	POD-HKR-000120	1

**Key:**

**2\*, 3\*** - included in: Set No. 41-3, the N272/3 VIKING 14T spreader (six-section distributor) (s+g) - **POD-HPR-000536**

## 60. FIVE-SECTION HYDRAULIC SYSTEM WITH A DISTRIBUTOR - control section

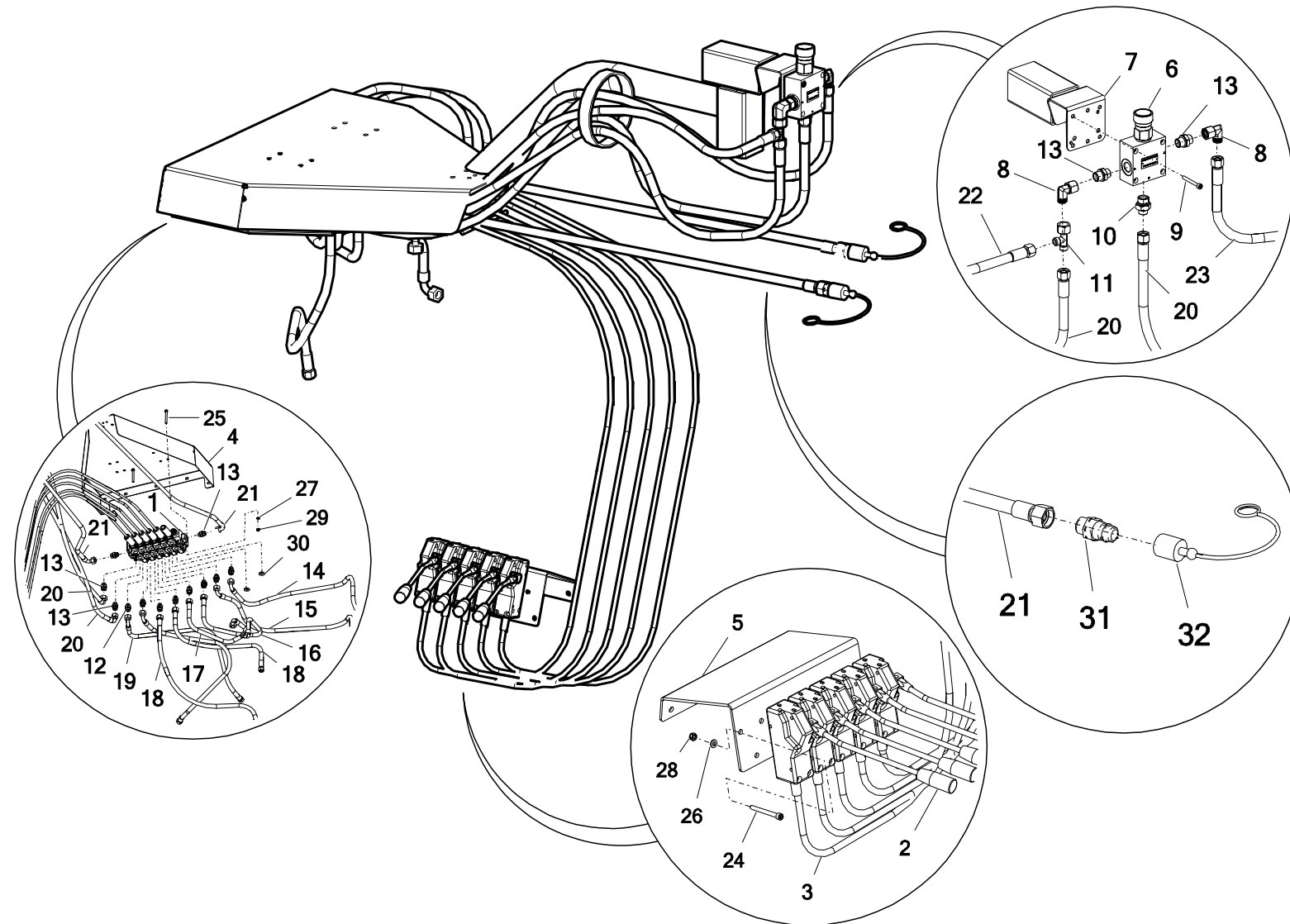


No.	Part or assembly name	Fig. or index No.			
		N272/3	Volume	N272/6	Volume
1	Sectional distributor MD6-Q45 for rope control	POD-HZW-000124	1	POD-HZW-000124	1
2	Rope controller lever	24DZS	4	24DZS	4
3	Control wire L-3500 (fork)	POD-HPZ-000045-1	4	POD-HPZ-000045-1	4
4	Wiring support	N272-3 01.06.00.1	1	N272-3 01.06.00.1	1
5	Six-section distributor lever support	N272-3 03.20.12	1	N272-3 03.20.12	1
6	Flow control valve TVTC-UDUE10-22/50-4 - Ponar	POD-HZW-000113	1	POD-HZW-000113	1
7	Flow regulator mounting	N272-3 01.06.091	1	N272-3 01.06.091	1
8	Adjustable elbow connector AB M22 x 1.5 15L	24KPKN22X1.5	2	24KPKN22X1.5	2
9	Allen bolt 6 x 50 galv. 8.8 82302	POD-ELZ-000752	4	POD-ELZ-000752	4
10	Straight connector 3/8 x 22 x 1.5	POD-HKR-000001-1	1	POD-HKR-000001-1	1
11	T-connector, asymmetrical 22 x 22 x 22-1.5 15L with nut on side	POD-HKR-000018	1	POD-HKR-000018	1
12	Straight connection 1/2 edx18-1.5	24K1/2 18	10	24K1/2 18	10
13	Straight connector 1/2 edx22-1.5 15L	24K1/2 22	2	24K1/2 22	2
14*	Hydraulic hose AA90/211/10 L-900	POD-HPR-000536	1	POD-HPR-000536	1
15*	Hydraulic hose AA90/211/10 L-100		1		1

**Key:**

**14\*, 15\*** - included in: Set No. 41-3, the N272/3 VIKING 14T spreader (six-section distributor) (s+g) - **POD-HPR-000536**

## 60. FIVE-SECTION HYDRAULIC SYSTEM WITH A DISTRIBUTOR - control section

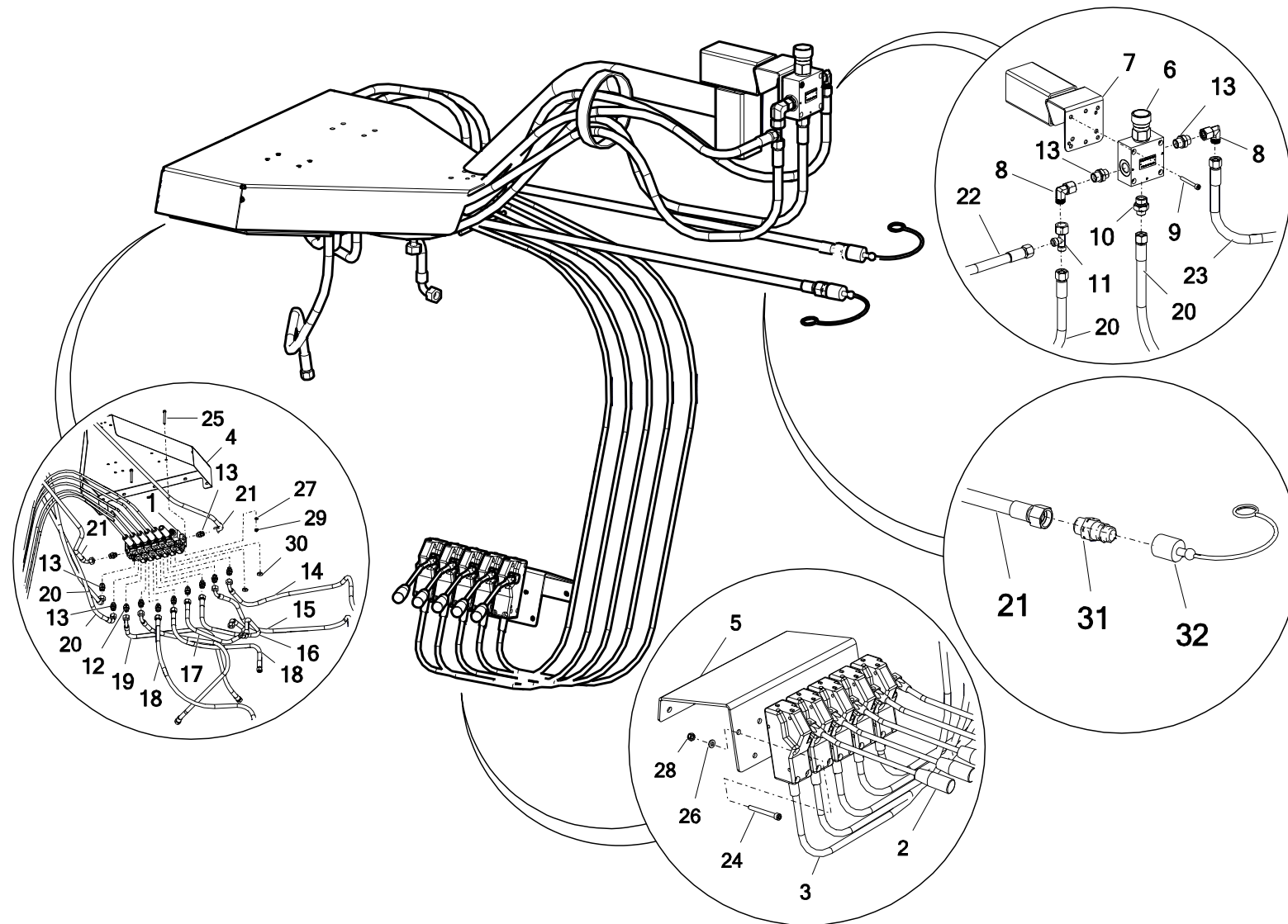


No.	Part or assembly name	Fig. or index No.			
		N272/3	Volume	N272/6	Volume
16*	Hydraulic hose AA90/211/10 L-850	POD-HPR-000536	1	POD-HPR-000536	1
17*	Hydraulic hose AA90/211/10 L-1000		1		1
18*	Hydraulic hose A90B/211/10 L-1200		2		1
19*	Hydraulic hose AA90/211/10 L-900		2		1
20*	Hydraulic hose AA90/211/10 L-2000		2		2
21*	Hydraulic hose AA90/233/13 L-2500		2		2
22*	Hydraulic hose AB/233/13 L=2550		1		1
23*	Hydraulic hose AB/233/13 L=2700		1		1
24	Allen bolt 6 x 60 galv. 8.8 82302	POD-ELZ-000776	12	POD-ELZ-000776	12
25	Bolt 8 x 65 galv. 8.8 82101	POD-ELZ-000527	4	POD-ELZ-000527	4
26	Round washer 6 galv. 82005 82005	23P6OOC	12	23P6OOC	12
27	Round washer 8 galv. coated 82030	23P8OC 82030	4	23P8OC 82030	4
28	Self-locking nut M6 galv. 82175 8 82175 8	23NS6OC	12	23NS6OC	12

**Key:**

**16\*- 23\*** - included in: Set No. 41-3, the N272/3 VIKING 14T spreader (six-section distributor) (s+g) - **POD-HPR-000536**

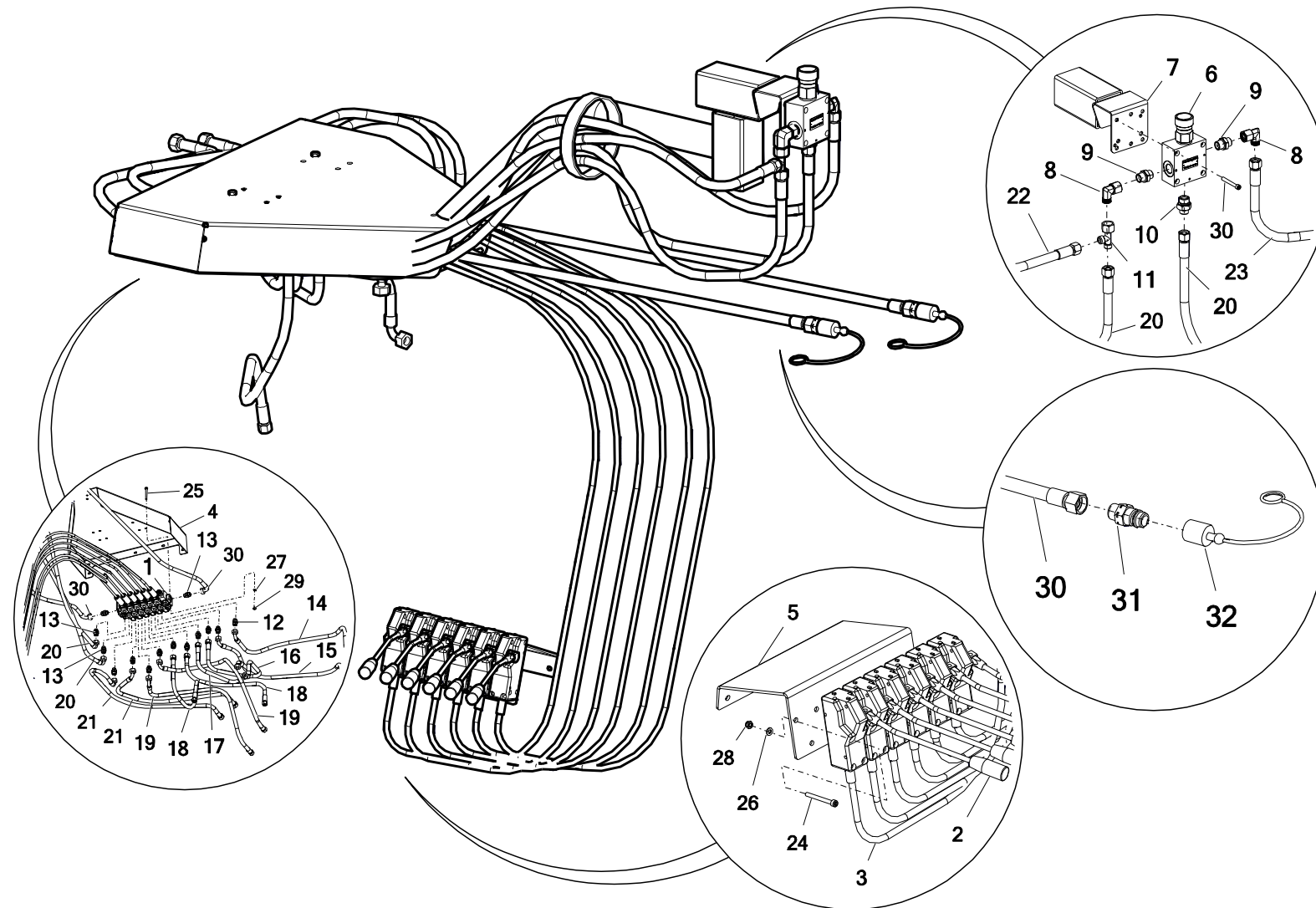
## 60. FIVE-SECTION HYDRAULIC SYSTEM WITH A DISTRIBUTOR - control section



No.	Part or assembly name	Fig. or index No.			
		N272/3	Volume	N272/6	Volume
29	Self-locking nut M8 galv. 82175 8 82175 8	23NS8OC	4	23NS8OC	4
30	Blank plug 1/2 ED, Allen bolt	24KS 1/2	2	24KS 1/2	2
31	EURO valve-plug 13 M22 x 1.5	24ZWE13	2	24ZWE13	2
32	Cap for EURO valve plug 13 (green, yellow, blue, red)	24ZWNE13	2	24ZWNE13	2



### 61. SIX-SECTION HYDRAULIC SYSTEM WITH A DISTRIBUTOR - control section



No.	Part or assembly name	Fig. or index No.			
		N272/3	Volume	N272/6	Volume
1	Sectional distributor MD6-Q45 for rope control	POD-HZW-000124	1	POD-HZW-000124	1
2	Rope controller lever	24DZS	4	24DZS	4
3	Control wire L-3500 (fork)	POD-HPZ-000045-1	4	POD-HPZ-000045-1	4
4	Wiring support	N272-3 01.06.00.1	1	N272-3 01.06.00.1	1
5	Six-section distributor lever support	N272-3 03.20.12	1	N272-3 03.20.12	1
6	Flow control valve TVTC-UDUE10-22/50-4 - Ponar	POD-HZW-000113	1	POD-HZW-000113	1
7	Flow regulator mounting	N272-3 01.06.091	1	N272-3 01.06.091	1
8	Adjustable elbow connector AB M22 x 1.,5 15L	24KPKN22X1.5	2	24KPKN22X1.5	2
9	Allen bolt 6 x 50 galv. 8.8 82302	POD-ELZ-000752	4	POD-ELZ-000752	4
10	Straight connector 3/8 x 22 x 1.5	POD-HKR-000001-1	1	POD-HKR-000001-1	1
11	T-connector, asymmetrical 22 x 22 x 22-1.5 15L with nut on side	POD-HKR-000018	1	POD-HKR-000018	1
12	Straight connection 1/2 edx18-1.5	24K1/2 18	10	24K1/2 18	10
13	Straight connector 1/2 edx22-1.5 15L	24K1/2 22	2	24K1/2 22	2
14*	Hydraulic hose AA90/211/10 L-900	POD-HPR-000536	1	POD-HPR-000536	1
15*	Hydraulic hose AA90/211/10 L-1000		1		1
16*	Hydraulic hose AA90/211/10 L-850		1		1

**Key:**

**14\*- 16\*** - included in: Set No. 41-3, the N272/3 VIKING 14T spreader (six-section distributor) (s+g) - **POD-HPR-000536**



No.	Part or assembly name	Fig. or index No.			
		N272/3	Volume	N272/6	Volume
17*	Hydraulic hose AA90/211/10 L-1000	POD-HPR-000536	1	POD-HPR-000536	1
18*	Hydraulic hose A90B/211/10 L-1200		2		1
19*	Hydraulic hose AA90/211/10 L-900		2		1
20*	Hydraulic hose AA90/211/10 L-2000		2		2
21*	Hydraulic hose A90B/211/10 L-900		2		2
22*	Hydraulic hose AB/233/13 L=2550		1		1
23*	Hydraulic hose AB/233/13 L=2700		1		1
24	Allen bolt 6 x 60 galv. 8.8 82302	POD-ELZ-000776	12	POD-ELZ-000776	12
25	Bolt 8 x 65 galv. 8.8 82101	POD-ELZ-000527	4	POD-ELZ-000527	4
26	Round washer 6 galv. 82005 82005	23P6OOC	12	23P6OOC	12
27	Round washer 8 galv. coated 82030	23P8OC 82030	4	23P8OC 82030	4
28	Self-locking nut M6 galv. 82175 8 82175 8	23NS6OC	12	23NS6OC	12
29	Self-locking nut M8 galv. 82175 8 82175 8	23NS8OC	4	23NS8OC	4
30*	Hydraulic hose AA90/233/13 L-2500	POD-HPR-000536	2	POD-HPR-000536	2
31	EURO valve-plug 13 M22 x 1.5	24ZWE13	2	24ZWE13	2
32	EURO quick-coupling attachment 13	24ZWNE13	2	24ZWNE13	2

**Key:**

17\*- 23\*, 30\* – included in: Set No. 41-3, the N272/3 VIKING 14T spreader (six-section distributor) (s+g) - **POD-HPR-000536**



No.	Part or assembly name	Fig. or index No.			
		N272/3	Volume	N272/6	Volume
1	Sectional distributor MD6-Q45 for rope control	POD-HZW-000124	1	POD-HZW-000124	1
2	Double-sided latch for distributor Q25-30 R3	24ZDR	1	24ZDR	1

## 63. NOTES

A series of 20 horizontal dotted lines provided for taking notes.

## 63. NOTES

A series of 20 horizontal dotted lines provided for taking notes.