



METAL-FACH



CHAIN BALER

Z587

SPARE PARTS CATALOGUE

REVISION 3

07/02/2023



The information included in the catalogue is valid as of the date of its preparation. The manufacturer reserves its right to make design changes to machines, and due to this, some values or illustrations might not correspond to the actual state of the machine supplied to the user. The manufacturer reserves its right to make design changes without changing this catalogue.

CONTENTS

1. BALER BODY.....	6
2. DRAWBAR.....	8
3. PARKING JACK.....	11
4. RUNNING AXLE AND BALE EJECTOR (VERSION 1)	13
5. RUNNING AXLE AND BALE EJECTOR (VERSION 2)	15
6. MAIN GEAR.....	17
7. GEARBOXES AND COUPLING CONNECTING THE CHAIN-ROD CONVEYOR PART 1.....	19
8. GEARBOXES AND COUPLING CONNECTING THE CHAIN-ROD CONVEYOR PART 2.....	22
9. CHAIN AND ROD CONVEYOR – DRIVE SHAFT	25
10. CHAIN AND ROD CONVEYOR – TENSIONER.....	27
11. FLOOR – BODY	29
12. FLOOR – LEFT-HAND SIDE TRANSMISSION	31
13. FLOOR – RIGHT-HAND SIDE TRANSMISSION	34
14. TOSS ASSEMBLY	36
15. FLOOR – FRONT SHAFT	39
16. FLOOR – REAR SHAFT.....	41
17. PICK-UP – BODY	43
18. PICK-UP – LEFT-HAND SIDE.....	45
19. PICK-UP – RIGHT SIDE.....	47
20. PICK-UP – AGUERS.....	49
21. PICK-UP – SPRING AXLE	51

22. PICK-UP – DRIVE AXLE AND CLUTCH	54
23. PICK-UP – LEFT-HAND WHEEL	56
24. PICK-UP – RIGHT-HAND WHEEL.....	58
25. WINDROW CLAMP	60
26. TWINE WRAPPER – TWINE CONTAINER	62
27. STRING WRAPPER – FRONT PART 1.....	64
28. STRING WRAPPER – FRONT PART 2.....	67
29. TWINE WRAPPER – BACK.....	70
30. NET WRAPPER – BODY.....	73
31. NET WRAPPER – FEEDING UNIT	76
32. NET WRAPPER – CUTTING UNIT PART 1.....	79
33. NET WRAPPER – CUTTING UNIT PART 2.....	82
34. CENTRAL CHAIN LUBRICATION SYSTEM	85
35. CENTRAL CHAIN LUBRICATION SYSTEM – LEFT SIDE.....	88
36. CENTRAL CHAIN LUBRICATION SYSTEM – RIGHT SIDE	89
37. CENTRAL LUBRICATION SYSTEM FOR THE BEARINGS	90
38. HYDRAULICS – TAILGATE	92
39. HYDRAULICS – PICK-UP.....	95
40. ELECTRICAL INSTALLATION	97
41. LIGHTS.....	99
42. PLASTIC COVER LEFT	101
43. PLASTIC COVER RIGHT	104
44. METAL COVER LEFT PART 1	107

45. METAL COVER LEFT PART 2	110
46. METAL COVER RIGHT PART 1.....	112
47. METAL COVER RIGHT PART 2.....	115
48. TOSS COVER LEFT.....	117
49. RIGHT HAND TOSS COVER	119
50. FRONT GUARDS	121
51. REAR COVERS.....	123
52. WHEEL CHOCKS	125
NOTES.....	127

1. BALER BODY

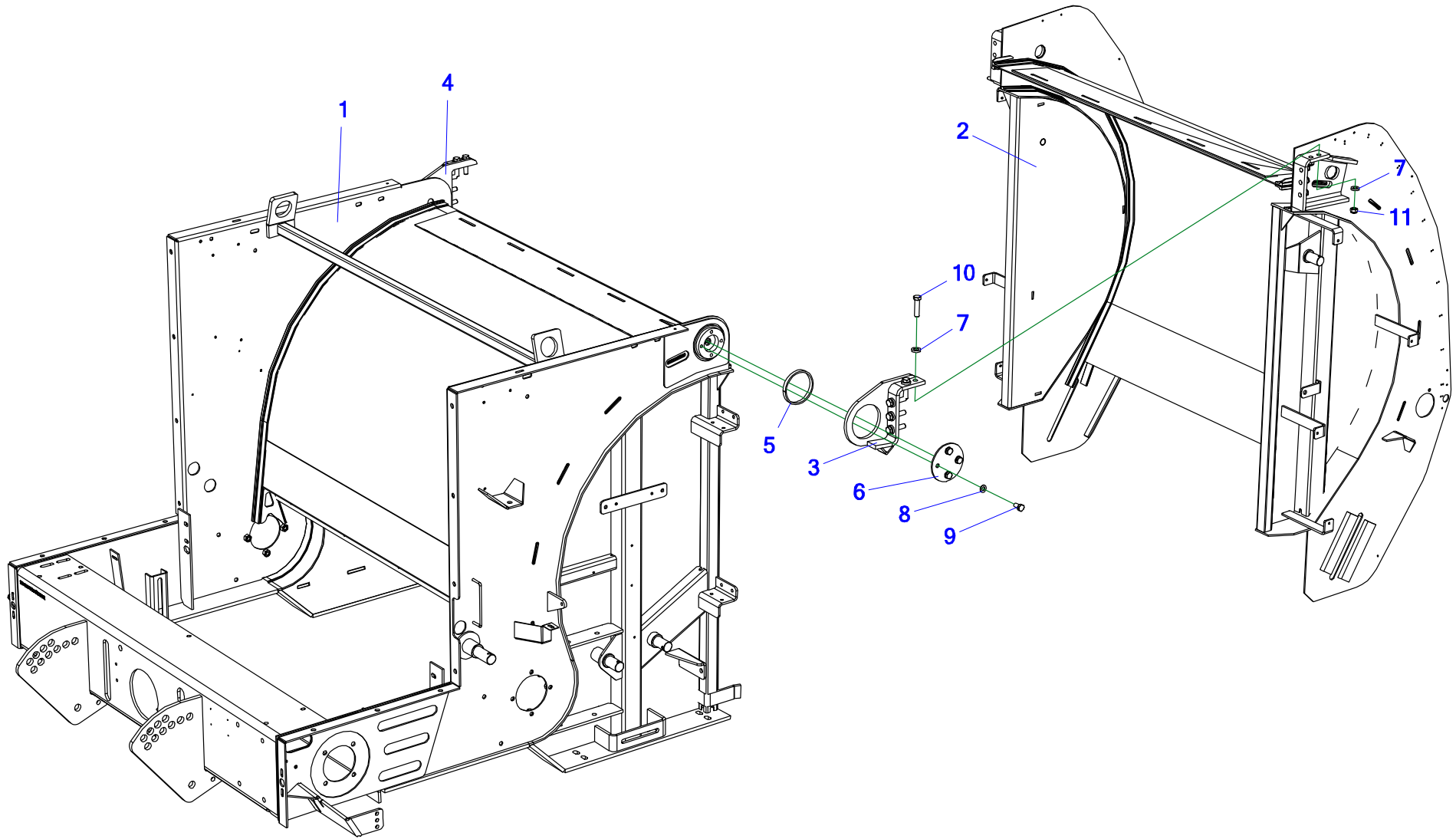


Table 1. Baler body

No.	Index	Part or assembly name	Quantity
1	Z587 020.210.03	Welded front body	1
2	Z587 010.210.02	Rear body	1
3	Z587 010.340.00	Hinge, left	1
4	Z587 010.330.00	Hinge, right	1
5	Z587 020.042.00	Slide bushing	2
6	Z587 020.041.00	Hinge flange	2
7	Z587 000.012.00	Washer	20
8	23P10 82005	Round washer 10 galv., 82005 82005	8
9	23S10/20OC 8.8	Bolt 10 x 20, galv., 8.8 82105 82105	8
10	POD-ELZ-000519	Bolt 12 x 50 galv., 10,9 82101	10
11	23NS12OC	Self-locking nut M12 galv., 82175 8 82175 8	10

2. DRAWBAR

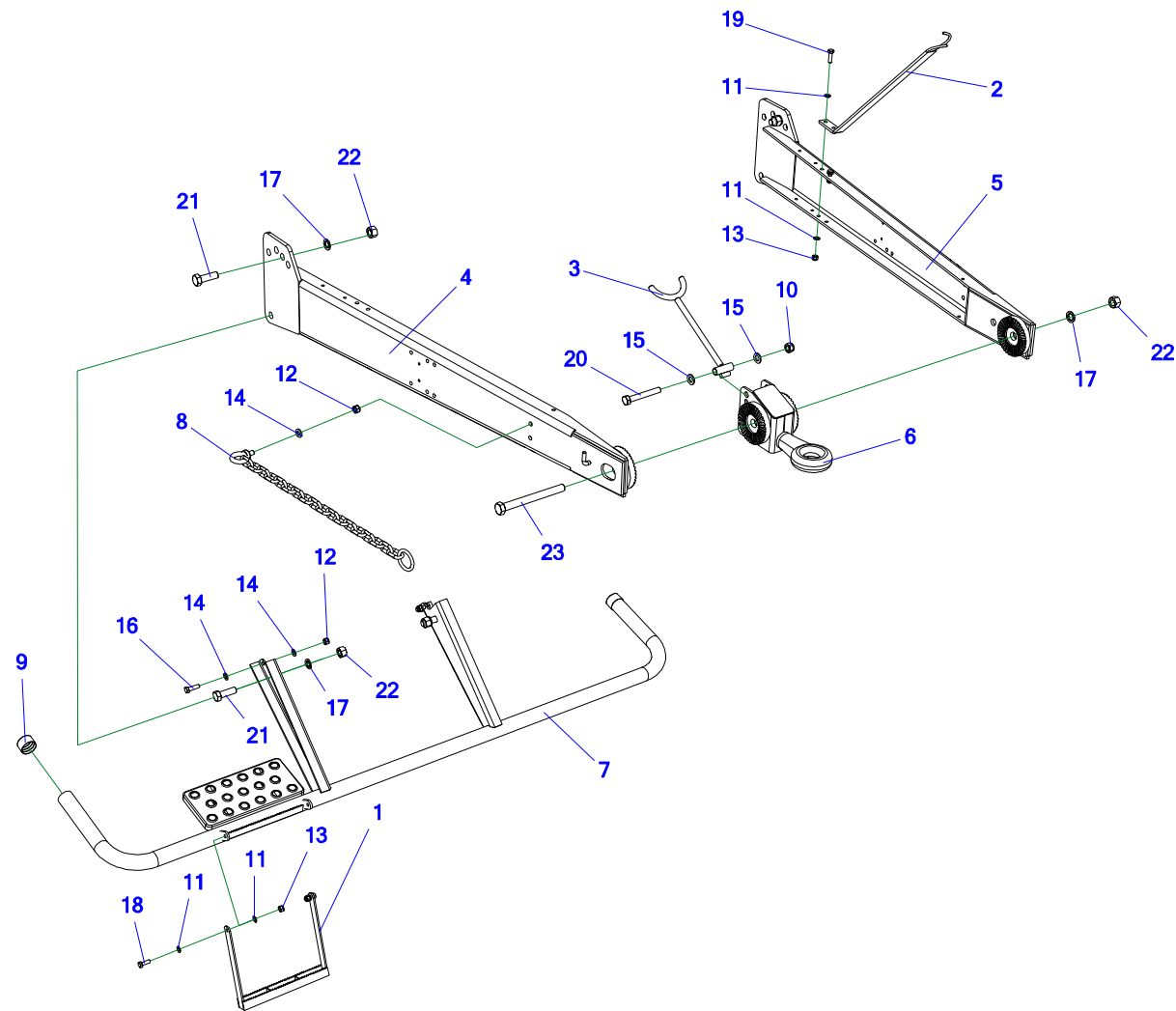


Table 2. Drawbar

No.	Index	Part or assembly name	Quantity
1	Z562 000.003.500	II class	1
2	Z589 001.004.110	Cable support	1
3	Z589 001.004.140	Shaft support	1
4	Z589 001.004.230	Right arm assy.	1
5	Z589 001.004.220	Left arm assy.	1
6	Z589 001.004.210	Hitch	1
7	Z589 001.004.300	Step tube	1
8	Z562 002.600.000	Chain, complete	1
9	POD-TSZ-000136	Cap 48.3 mm yellow 10295	2
10	23NS16OC	Self-locking nut M16 galv., 82175 8 82175 8	1
11	23P10 82005	Round washer 10 galv., 82005 82005	8
12	23NS12OC	Self-locking nut M12 galv., 82175 8 82175 8	3
13	23NS10OC	Self-locking nut M10 galv., 82175 8 82175 8	4
14	23P12OC	Round washer 12 galv., 82005	5
15	23P16OOC	Round washer 16 galv., 82005 82005	2
16	23S12/40OC 8.8	Screw 12 x4 0 galv., 8.8 82105 82105	2
17	23P20SP	Spring washer, 20.5 galv., 82008 82008	5
18	23S10/30OC 8.8	Bolt 10 x 30 galv., 8.8 82105 82105	2
19	23S10/35OC 8.8	Bolt 10 x 35 galv., 8.8 82105 82105	2
20	23S16/110OC 8.8	Screw 16 x 110 galv., 8.8 82101 82101	1

No.	Index	Part or assembly name	Quantity
21	23S20/60 8.8 OC	Screw 20 x 60 galv., 8.8 82105 82105	4
22	23N M20 CL.8 DIN934OC	Nut M20 galv., 8.8 DIN934 8 DIN934 8	5
23	POD-ELZ-000924	Bolt 20 x 220 galv., 10.9 82101	1

3. PARKING JACK

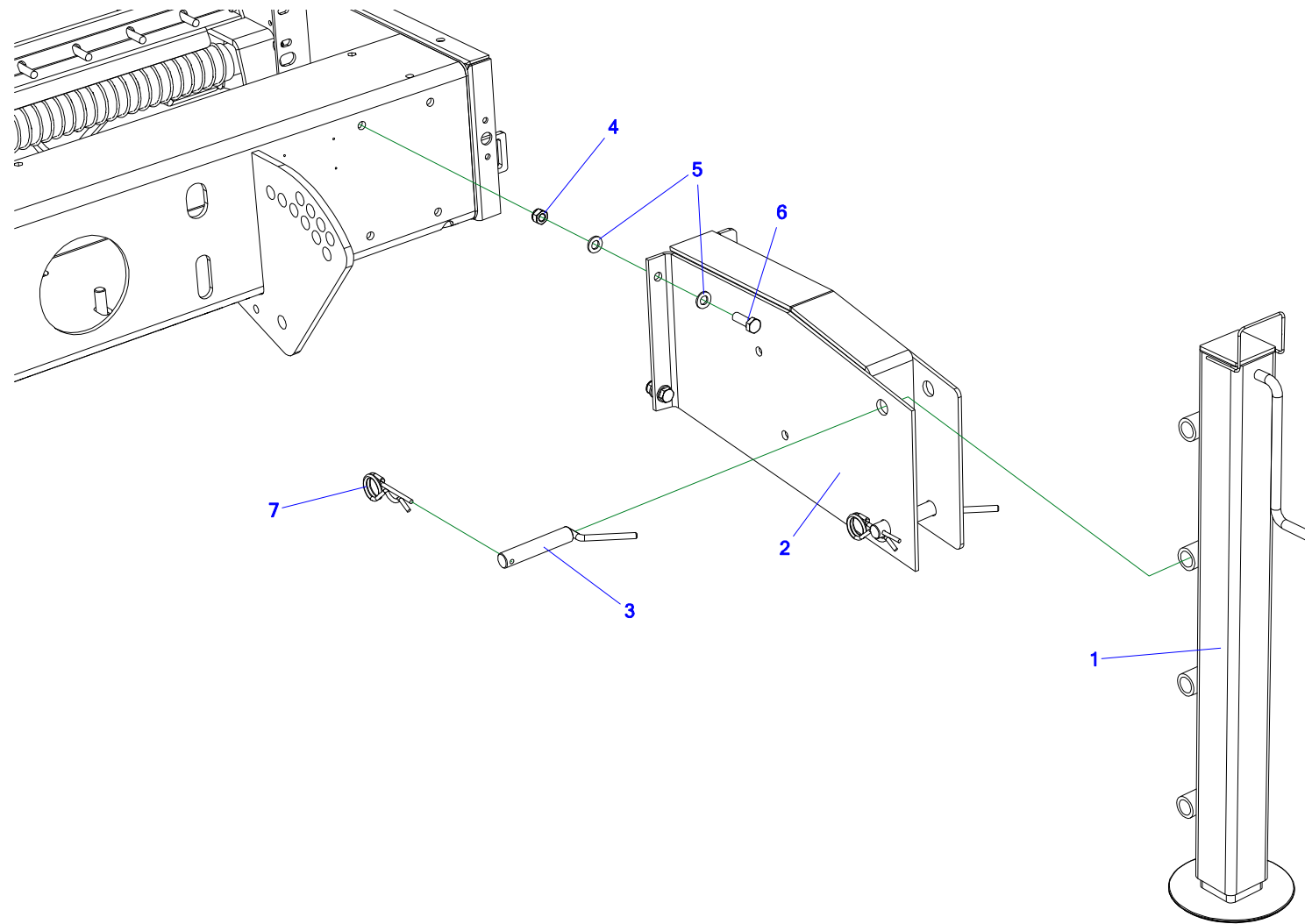


Table 3. Parking jack

No.	Index	Part or assembly name	Quantity
1	Z587 080.210.00	Parking jack	1
2	Z562 300.211.000	Parking jack bracket	1
3	Z562 000.212.000	Parking jack pin assy.	2
4	23NS12OC	Self-locking nut M12 galv., 82175 8 82175 8	4
5	23P12OC	Round washer 12 galv., 82005	8
6	23S12/35OC 8.8	Bolt 12 x 35 galv., 8.8 82105 82105	4
7	23ZSP5	Double spring cotter pin 5 mm galv., (letter R chassis)	2

4. RUNNING AXLE AND BALE EJECTOR (VERSION 1)

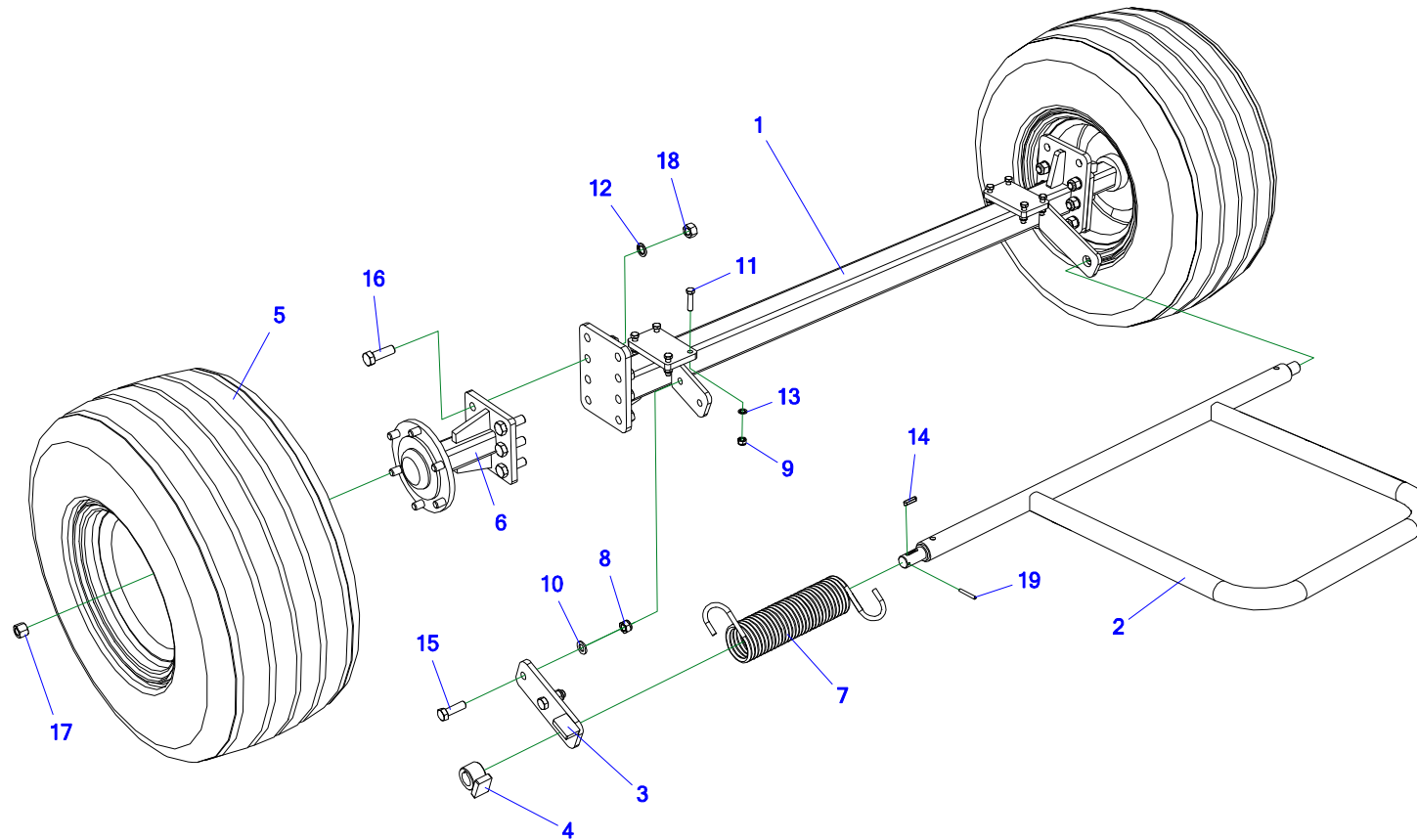


Table 4. Running axle and bale ejector (version 1)

No.	Index	Part or assembly name	Quantity
1	Z587 040.210.01	Welded axle	1
2	Z562 000.079.000	Bale ejector	1
3	Z562 008.002.000	Support III	1
4	Z562 000.204.000	Ejector lock	1
5	25K400/60/15,3	Wheel 400/60-15.5 14PR	2
6	25PQ060X0210 LA06	Axle shaft Z562	2
7	23S10/80/440	Maz-4720 ejector spring Z562 000.000.206	1
8	23NS16OC	Self-locking nut M16 galv., 82175 8 82175 8	2
9	23NS12OC	Self-locking nut M12 galv., 82175 8 82175 8	8
10	23P16OOC	Round washer 16 galv., 82005 82005	2
11	POD-ELZ-000519	Bolt 12 x 50 galv., 10,9 82101	8
12	23P20SP	Spring washer, 20.5 galv., 82008 82008	12
13	23P12SP	Spring washer 12 galv., 82008 82008	8
14	23WP8/7/36	Key 8 x 7 x 36	1
15	23S16/50 8.8	Bolt 16 x 50 galv., 8.8 82101 82101	2
16	23S20/60OC 8.8	Bolt 20 x 60 galv., 8.8 82101 82101	12
17	POD-ELZ-000490	Wheel nut 18 x 1.5	12
18	23N20OC	Nut M20 galv., 82144 5 82144 5	12
19	POD-ELZ-000538	Resilient stud 6 x 50 DIN 1481	1

5. RUNNING AXLE AND BALE EJECTOR (VERSION 2)

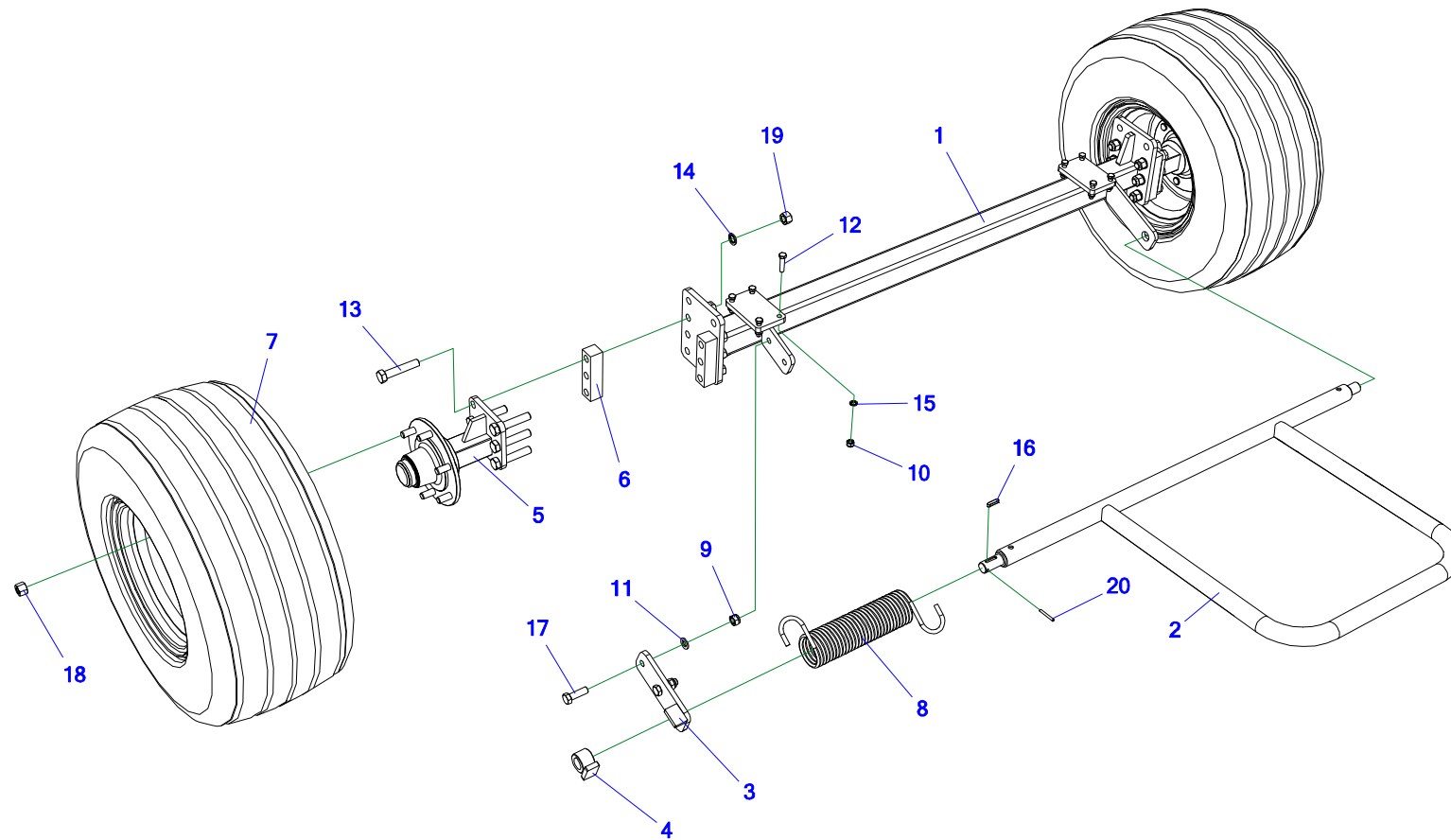


Table 5. Running axle and bale ejector (version 2)

No.	Index	Part or assembly name	Quantity
1	Z587 040.210.01	Welded axle	1
2	Z562 000.079.000	Bale ejector	1
3	Z562 008.002.000	Support III	1
4	Z562 000.204.000	Ejector lock	1
5	Z587 040.007.00	Feraboli axle shaft	2
6	Z587 040.008.00	Spacer	4
7	25K400/60/15,3	Wheel 400/60-15.5 14PR	2
8	23S10/80/440	Maz-4720 ejector spring Z562 000.000.206	1
9	23NS16OC	Self-locking nut M16 galv., 82175 8 82175 8	2
10	23NS12OC	Self-locking nut M12 galv., 82175 8 82175 8	8
11	23P16OOC	Round washer 16 galv., 82005 82005	2
12	POD-ELZ-000519	Bolt 12 x 50 galv., 10,9 82101	8
13	23S20/100OC 8.8	Bolt 20 x 100 galv., 8.8 82101 82101	12
14	23P20SP	Spring washer, 20.5 galv., 82008 82008	12
15	23P12SP	Spring washer 12 galv., 82008 82008	8
16	23WP8/7/36	Key 8 x 7 x 36	1
17	23S16/50 8.8	Bolt 16 x 50 galv., 8.8 82101 82101	2
18	POD-ELZ-000490	Wheel nut 18 x 1.5	12
19	23N20OC	Nut M20 galv., 82144 5 82144 5	12
20	POD-ELZ-000538	Resilient stud 6 x 50 DIN 1481	1

6. MAIN GEAR

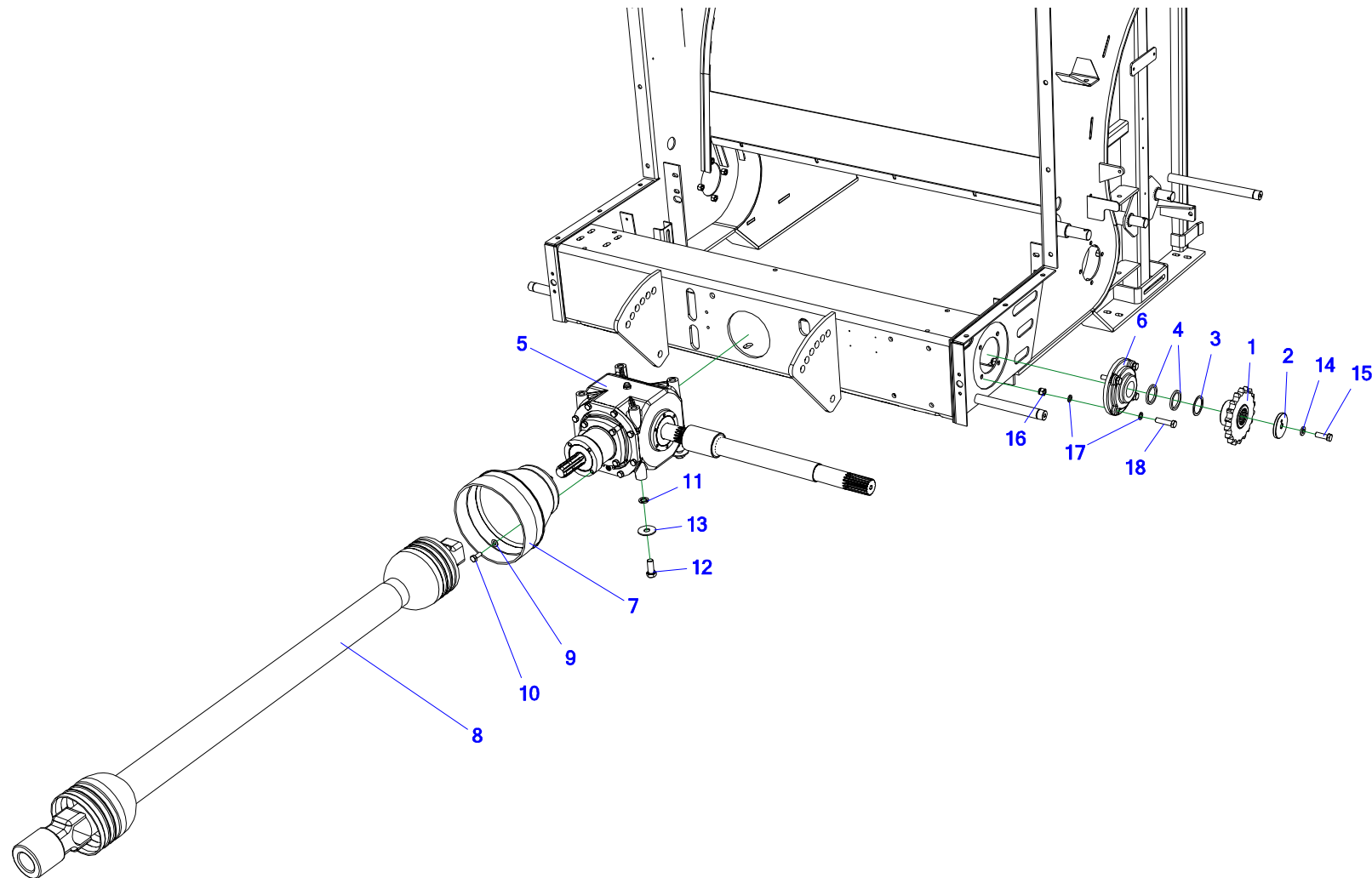


Table 6. Main gear

No.	Index	Part or assembly name	Quantity
1	Z587 050.220.00	Wheel Z18-16B, complete POD-EOS-000389	1
2	Z562 000.000.069	Washer I	1
3	Z587 000.008.00	Washer	1
4	Z587 000.013.00	Washer	2
5	POD-WPS-000150	Gearbox MB06.03	1
6	25L209UCFC	Bearing unit UCFC209	1
7	25OW	Shaft shield	1
8	POD-WPS-000226	Articulated shaft 60025/602.K6-1/5NW 1860 Nm L=1410/2100 1.3/8 Z6	1
9	23P10 82005	Round washer, 10 galv., 82005	4
10	23S10-25OC 8.8	Bolt, 10 x 25, galv., 82105 82105	4
11	23P16SP	Round washer, dia. 16.3 galv., 82008	4
12	23S16-40 8.8OC	Bolt 16 x 40 galv., 82105	4
13	POD-ELZ-000384	Round washer 16 galv., coat. 82030	4
14	23P12SP	Spring washer, 12 galv., 82008	1
15	23S12-35OC 8.8	Bolt 12 x 35 galv., 82105	1
16	23NS12OC	Self locking nut M12 galv., 82175 8	4
17	23P12OC	Round washer 12 galv., 82005	8
18	23S12-50OC 8.8	Bolt 12 x 50 galv., 82101 82101	4

7. GEARBOXES AND COUPLING CONNECTING THE CHAIN-ROD CONVEYOR PART 1

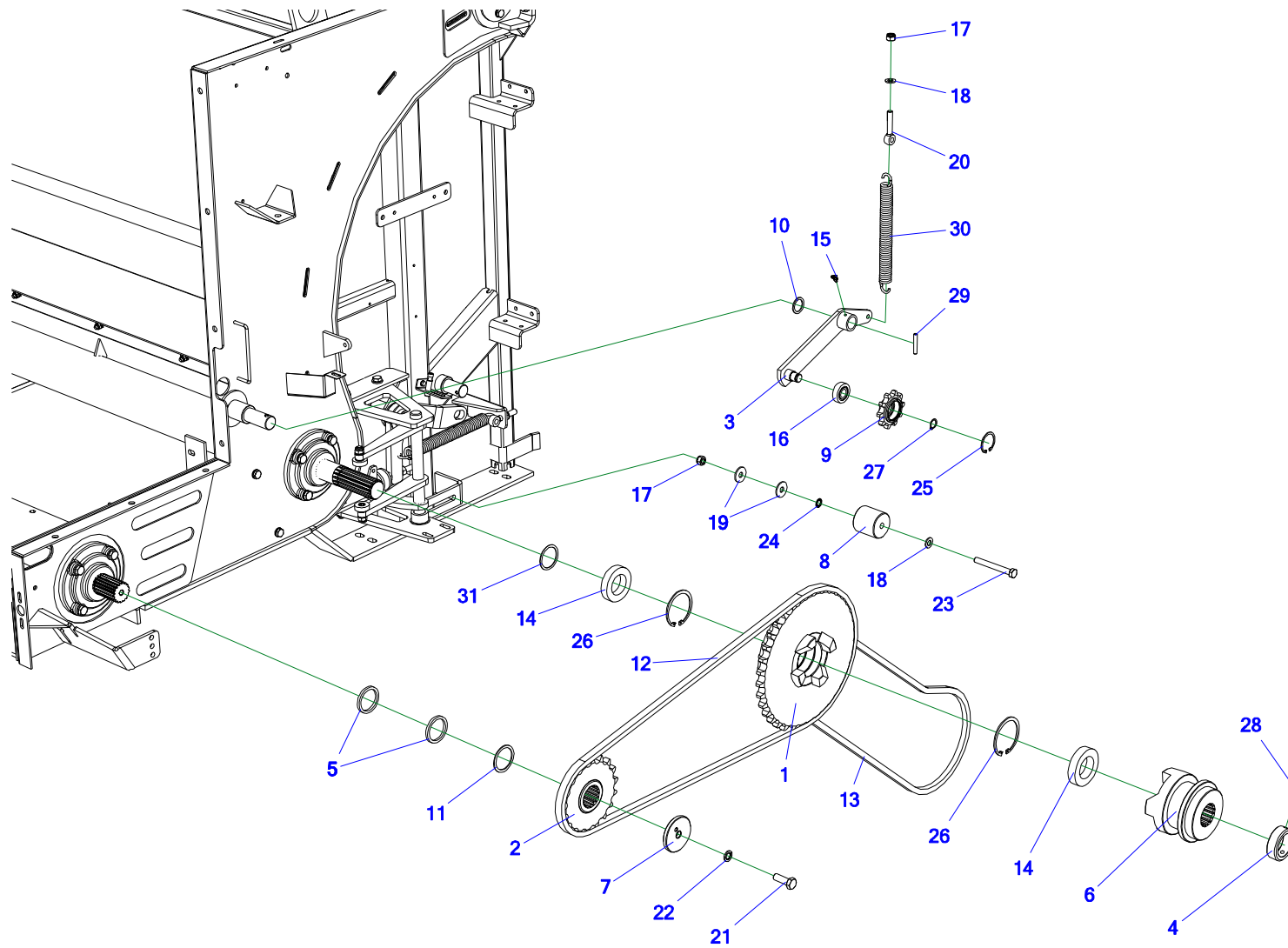


Table 7. Gearboxes and coupling connecting the chain-rod conveyor part 1

No.	Index	Part or assembly name	Quantity
1	Z587 050.240.00	Double wheel Z22-Z35-16b POD-EOS-000390	1
2	Z587 050.220.00	Wheel Z18-16B, complete POD-EOS-000389	1
3	Z587 050.300.00	Tensioner	1
4	Z587 050.049.00	Heavy duty circlip 45	1
5	Z587 000.013.00	Washer 45 1 x 55 x 5	2
6	Z587 050.011.01	Claw coupling 2 POD-EOS-000388	1
7	Z562 000.000.069	Washer I	1
8	Z562 000.000.208	Slide III	1
9	Z582 080.004.00	Wheel 16B1 Z10	1
10	Z587 000.016.00	Washer 30 3 x 40 x 2	1
11	Z587 000.008.00	Washer	1
12	POD-LAN-000099	16B1 79 link incl. curved connector	1
13	POD-LAN-000099	16B1 74 link incl. straight connector	1
14	POD-LOZ-000139	Bearing 6009 2RS (Fe)	2
15	23SM6KAT45	Lubricating nipple M6 x 1.0 45 angle	1
16	POD-LOZ-000008-1	Bearing 6204 2RS	1
17	23NS12OC	Self-locking nut M12 galv., 82175 8 82175 8	2
18	23P12OC	Round washer 12 galv., 82005	2
19	23P12OOC	Round washer 12 galv., coat. 82030	2
20	POD-ELZ-000546	Eye bolt 12 x 70 DIN444 LB galv.	1

No.	Index	Part or assembly name	Quantity
21	23S12/35OC 8.8	Bolt 12 x 35 galv., 8.8 82105 82105	1
22	23P12SP	Spring washer 12 galv., 82008 8200	1
23	23S12/100OC	Screw 12 x 100 galv., 8.8 82105 82105	1
24	23PW12.3OC	Spring washer M12 galv., DIN6798DD	1
25	POD-ELZ-000008-1	Circlip W47	1
26	POD-ELZ-000517	Circlip W75	2
27	23SZ20	Circlip, Z20	1
28	POD-ELZ-000863	Set screw 8x10 x DIN 914	2
29	23K8/50	Resilient stud 8 x 50 DIN 1481	1
30	POD-SPR-000063	Tension spring 5/29/295/49.5 galv., (maz-6528) (FE-1822744)	1
31	POD-ELZ-000912	Spacer 45 x 55 x 1 988455510P025	1

8. GEARBOXES AND COUPLING CONNECTING THE CHAIN-ROD CONVEYOR PART 2

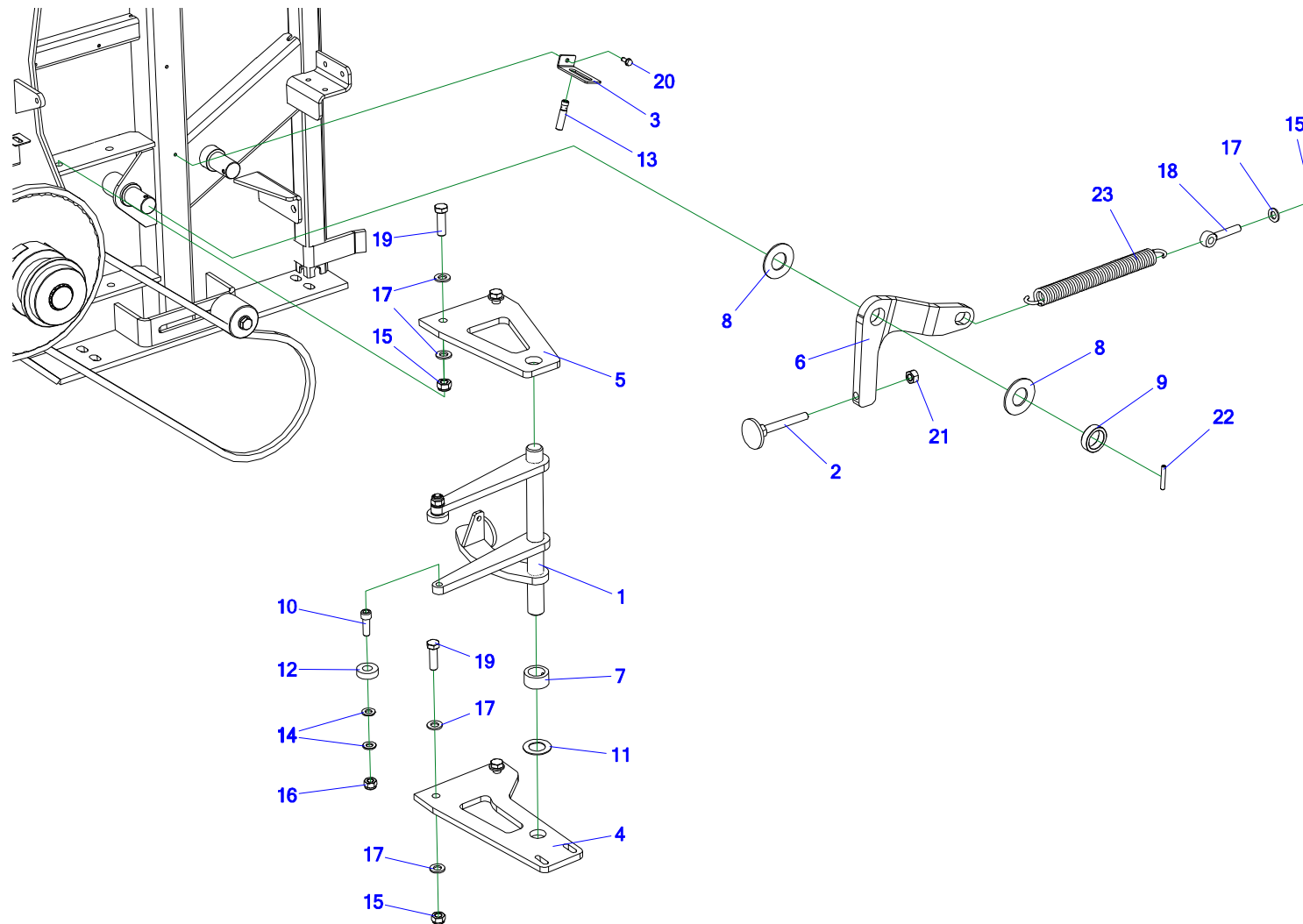


Table 8. Gearboxes and coupling connecting the chain-rod conveyor part 2

No.	Index	Part or assembly name	Quantity
1	Z587 050.290.01	Clutch lever	1
2	Z587 050.310.00	Clutch adjuster	1
3	Z587 000.001.00	Sensor support	1
4	Z587 050.027.01	Bottom bracket	1
5	Z587 050.026.01	Upper bracket	1
6	Z587 050.024.02	Lever	1
7	Z587 050.042.00	Adjustment sleeve	1
8	Z587 000.009.00	Washer 30 x 61.5 x 3	2
9	Z587 050.043.00	Spacer bushing	1
10	Z587 050.046.00	Bearing puller screw	2
11	POD-LOZ-000223	Washer GTM-2644-015 (26 x 44 x 1.5)	1
12	POD-LOZ-000167	Bearing 6002 2RS (Fe)	2
13	POD-ELK-000347	Inductive sensor BI4M12-AP6X-H1141	1
14	23P10 82005	Round washer 10 galv., 82005 82005	4
15	23NS12OC	Self-locking nut M12 galv., 82175 8 82175 8	5
16	23NS10OC	Self-locking nut M10 galv., 82175 8 82175 8	2
17	23P12OC	Round washer 12 galv., 82005	9
18	POD-ELZ-000546	Eye bolt 12 x 70 DIN444 LB galv.	1
19	POD-ELZ-000421	Bolt 12 x 40 galv., 10.9 82105	4
20	POD-ELZ-000513	Self-forming screw 6 x 16 galv., DIN 7500D-six	1

No.	Index	Part or assembly name	Quantity
21	23N12OC	Nut M12 galv., 82144 5	1
22	23K6/40	Resilient stud 6 x 40 DIN 1481	1
23	POD-SPR-000063	Tension spring 5/29/295/49.5 galv., (maz-6528) (FE-1822744)	1

9. CHAIN AND ROD CONVEYOR – DRIVE SHAFT

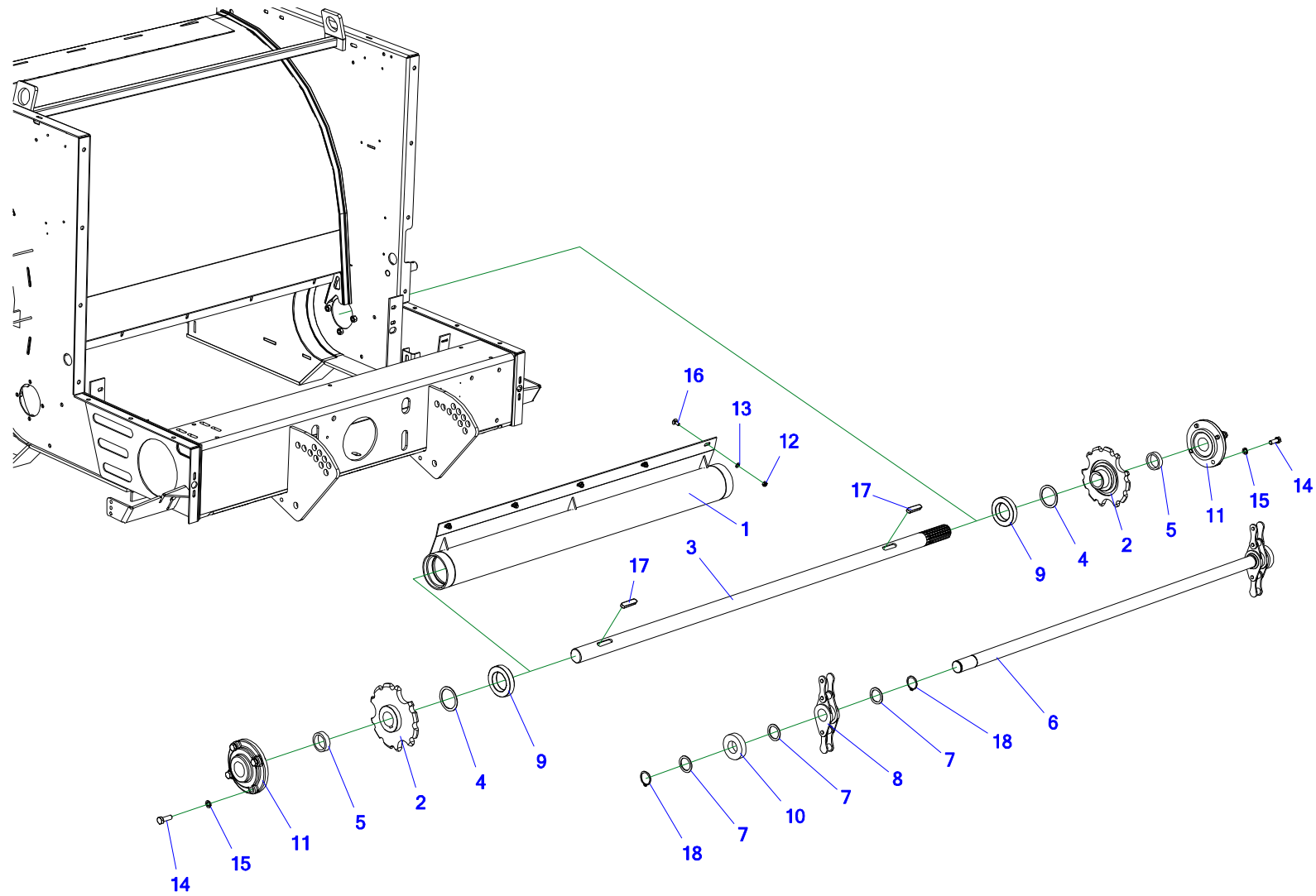


Table 9. Chain and rod conveyor – drive shaft

No.	Index	Part or assembly name	Quantity
1	Z582 010.390.00	Drive shaft tube	1
2	Z582 010.240.00	Welded sprocket	2
3	Z587 020.028.01	Shaft POD-EOS-000387	1
4	Z587 050.017.00	Washer 60 x 72 x 2	2
5	Z587 020.029.00	Spacer bushing	2
6	Z587 050.047.00	Rolling chain bar	1
7	Z587 000.010.00	Washer 35 x 47 x 2	6
8	POD-LAN-000099	Rolling chain CA 650 32 links + straight connector	2
9	POD-LOZ-000172	Bearing 6012 2RS	2
10	POD-LOZ-000160	Bearing LR207 2RS (Fe)	2
11	25L209UCFC	Bearing unit UCFC209	2
12	23NS8OC	Self-locking nut M8 galv., 82175 8 82175 8	5
13	23P8OOC	Round washer 8 galv., 82005 82005	5
14	23S12/35OC 8.8	Bolt 12 x 35 galv., 8.8 82105 82105	8
15	23P12SP	Spring washer 12 galv., 82008 82008	8
16	POD-ELZ-000423	Carriage bolt 8 x 20 galv., 8.8 82406	5
17	POD-ELZ-000549	Key 14 x 9 x 60	2
18	23SZ35	Circlip Z35	4

10. CHAIN AND ROD CONVEYOR – TENSIONER

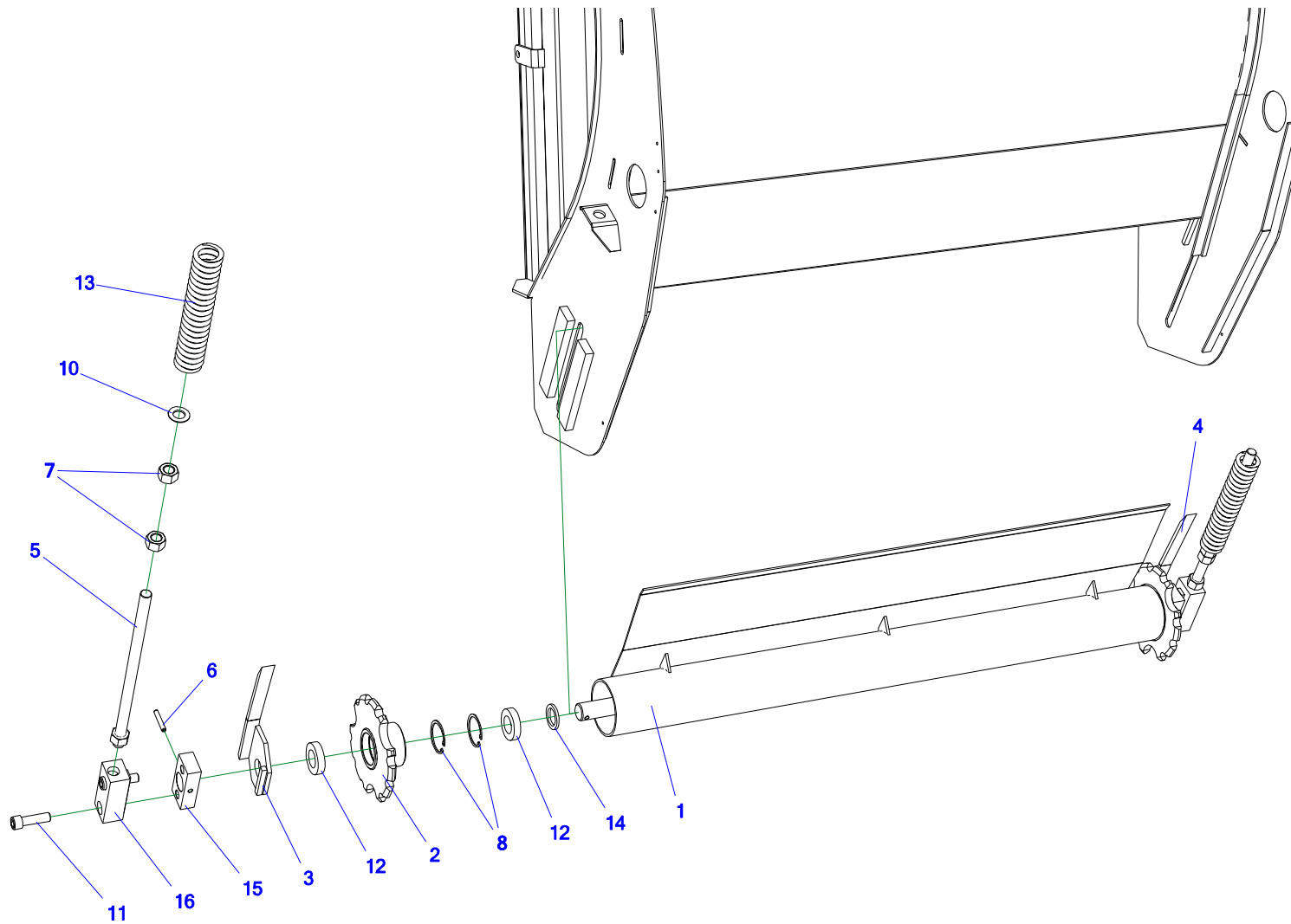


Table 10. Chain and rod conveyor – tensioner

No.	Index	Part or assembly name	Quantity
1	Z587 010.240.00	Welded tube	1
2	Z582 010.250.00	Welded sprocket bottom	2
3	Z587 010.280.00	Guide bar left	1
4	Z587 010.290.00	Guide bar right	1
5	Z587 010.250.00	Welded bar	2
6	23K8/50	Resilient stud 8 x 50 DIN 1481	2
7	23N20OC	Nut M20 galv., 82144 5 82144 5	4
8	23SW62	Circlip W62	4
9	POD-ELZ-000354	Resilient stud 5 x 40 DIN 1481	2
10	POD-ELZ-000459	Round washer, 20, galv., 82030	2
11	POD-ELZ-000501	Allen head screw 16 x 55 8.8 DIN 7991	4
12	POD-LOZ-000170	Bearing 6007 2RS (Fe)	4
13	POD-SPR-000058	Compression spring 8/45/248/20 galv., (maz-6527)	2
14	Z587 010.020.00	Washer	2
15	Z587 010.033.00	Block 1	2
16	Z587 010.034.00	Block 2	2

11. FLOOR – BODY

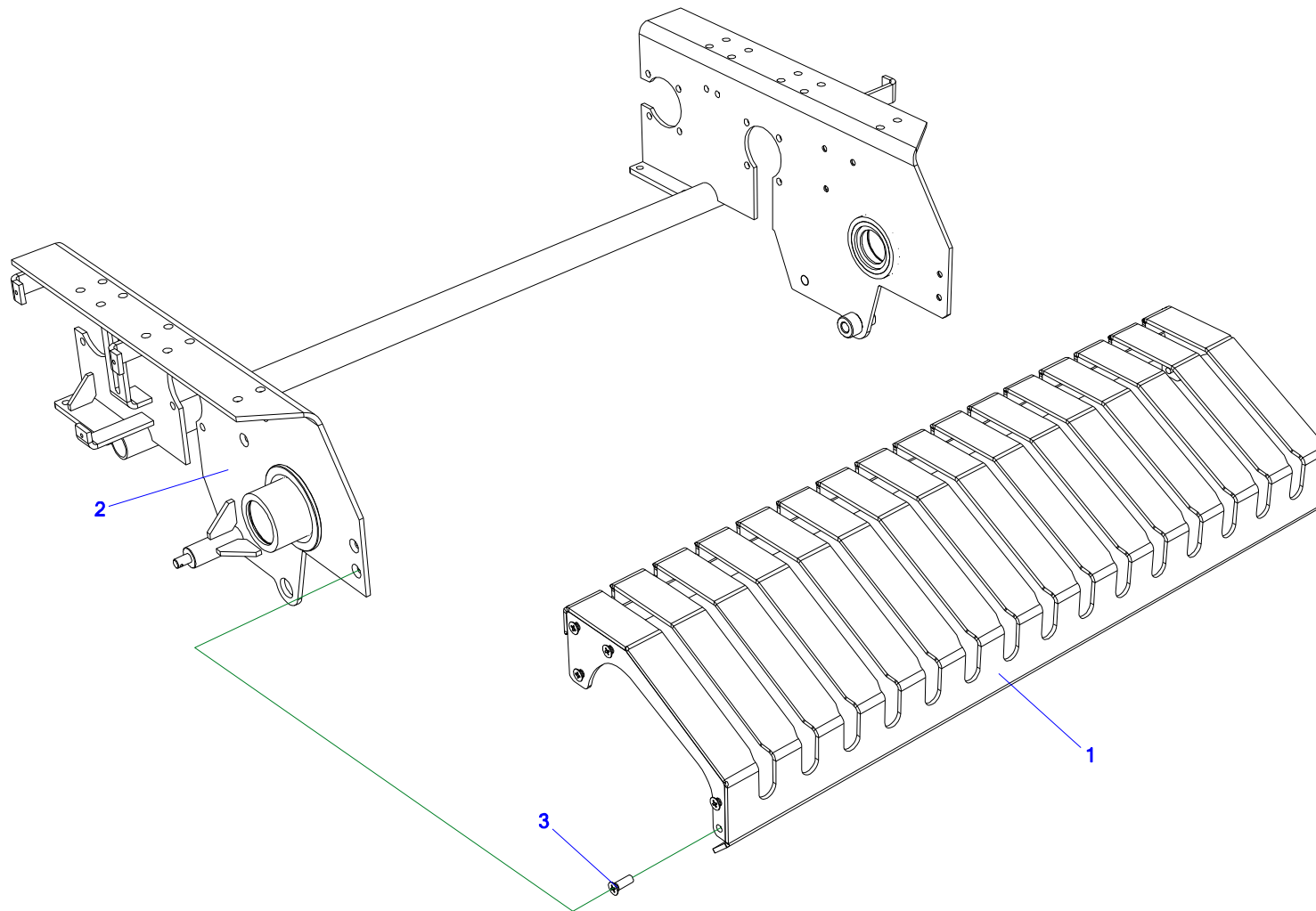


Table 11. Floor – body

No.	Index	Part or assembly name	Quantity
1	Z587 030.320.00	Welded topper cover	1
2	Z587 030.210.01	Lower frame	1
3	POD-ELZ-000007-1	Screw 10 x 30 galv., 82208 82208	10

12. FLOOR – LEFT-HAND SIDE TRANSMISSION

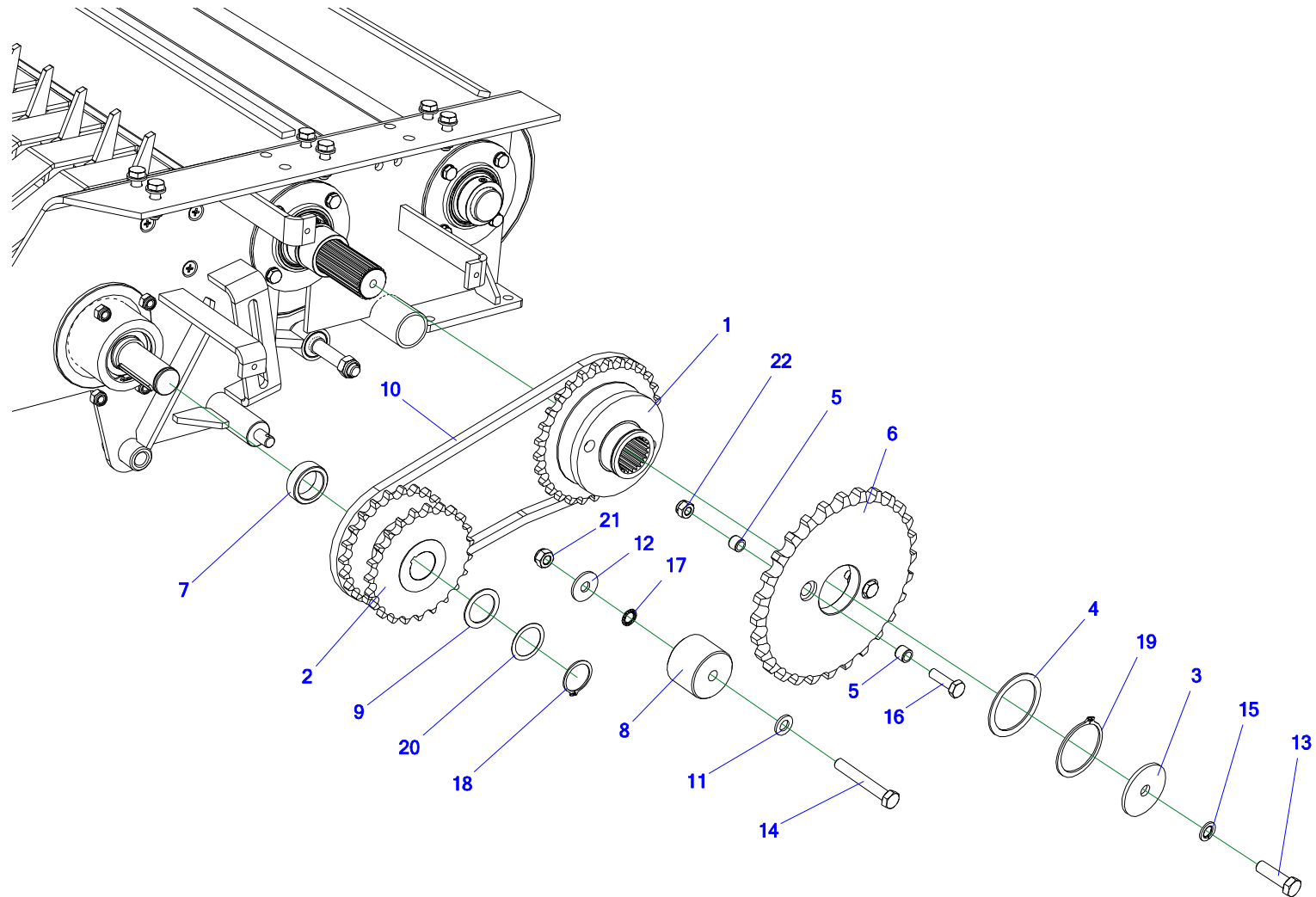


Table 12. Floor – left-hand side transmission

No.	Index	Part or assembly name	Quantity
1	Z587 050.270.01	Double wheel hub Z28/Z29 POD-EOS-000420	1
2	Z587 050.250.00	Double wheel Z23-12B	1
3	Z587 030.041.00	Washer	1
4	Z587 050.017.00	Washer 60 x 72 x 2	1
5	Z587 050.015.01	Sleeve	4
6	Z587 050.004.00	Wheel Z28-16B	1
7	Z587 030.042.00	35 x 16 spacer sleeve	1
8	Z562 000.000.207	Slide II	1
9	Z562 096.000.042	Washer 48 x 35 x 1.5	1
10	POD-LAN-000099	12B1 58 link incl. straight connector	1
11	23P12OC	Round washer 12 galv., 82005	1
12	23P12OOC	Round washer 12 galv., coat. 82030	1
13	23S12/40OC 8.8	Screw 12 x 40 galv., 8.8 82105 82105	1
14	23S12/80OC 8.8	Bolt 12 x 80 galv., 8.8 82101 82101	1
15	23P12SP	Spring washer 12 galv., 82008 82008	1
16	POD-ELZ-000830	Bolt 10 x 35 galv., 10.9 82105	2
17	23PW12.3OC	Spring washer m12 galv., DIN6798DD	1
18	23SZ35	Circlip Z35	1
19	POD-ELZ-000364	Circlip Z60	1
20	POD-ELZ-000877	Spacer PS35 x 45 x 0.5	1

No.	Index	Part or assembly name	Quantity
21	23NS12OC	Self-locking nut M12 galv., 82175 8 82175 8	1
22	23NS10OC	Self-locking nut M10 galv., 82175 8 82175 8	2

13. FLOOR – RIGHT-HAND SIDE TRANSMISSION

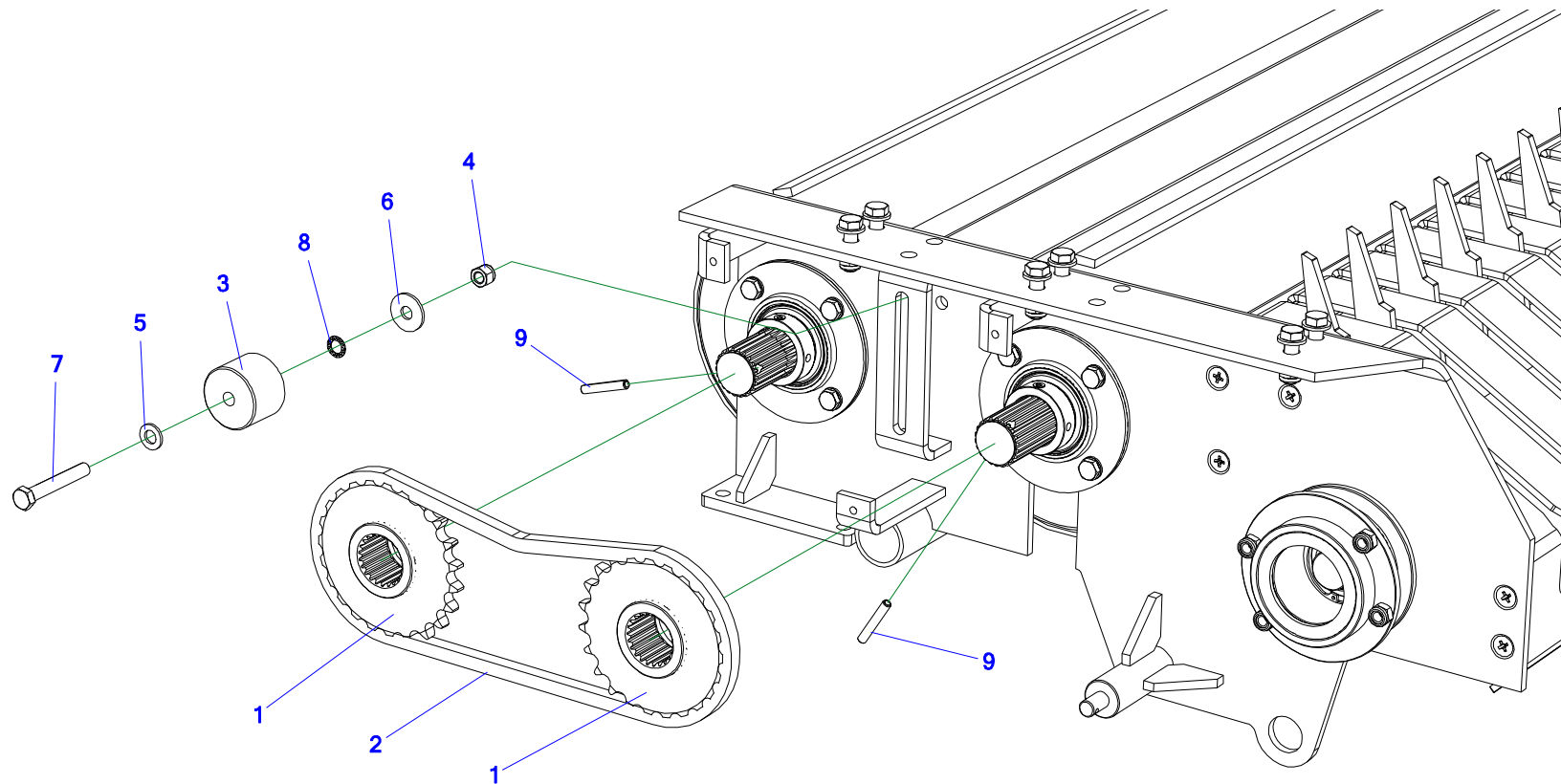


Table 13. Floor – right-hand side transmission

No.	Index	Part or assembly name	Quantity
1	Z587 050.230.01	Chain wheel Z23 POD-EOS-000419	2
2	POD-LAN-000099	12B1 52 link incl. straight connector	1
3	Z562 000.000.207	Slide II	1
4	23NS12OC	Self-locking nut M12 galv., 82175 8 82175 8	1
5	23P12OC	Round washer 12 galv., 82005	1
6	23P12OOC	Round washer 12 galv., coat. 82030	1
7	23S12/80OC 8.8	Bolt 12 x 80 galv., 8.8 82101 82101	1
8	23PW12.3OC	Spring washer M12 galv. DIN6798DD	1
9	23K8/50	Resilient stud 8 x 50 DIN 1481	2

14. TOSS ASSEMBLY

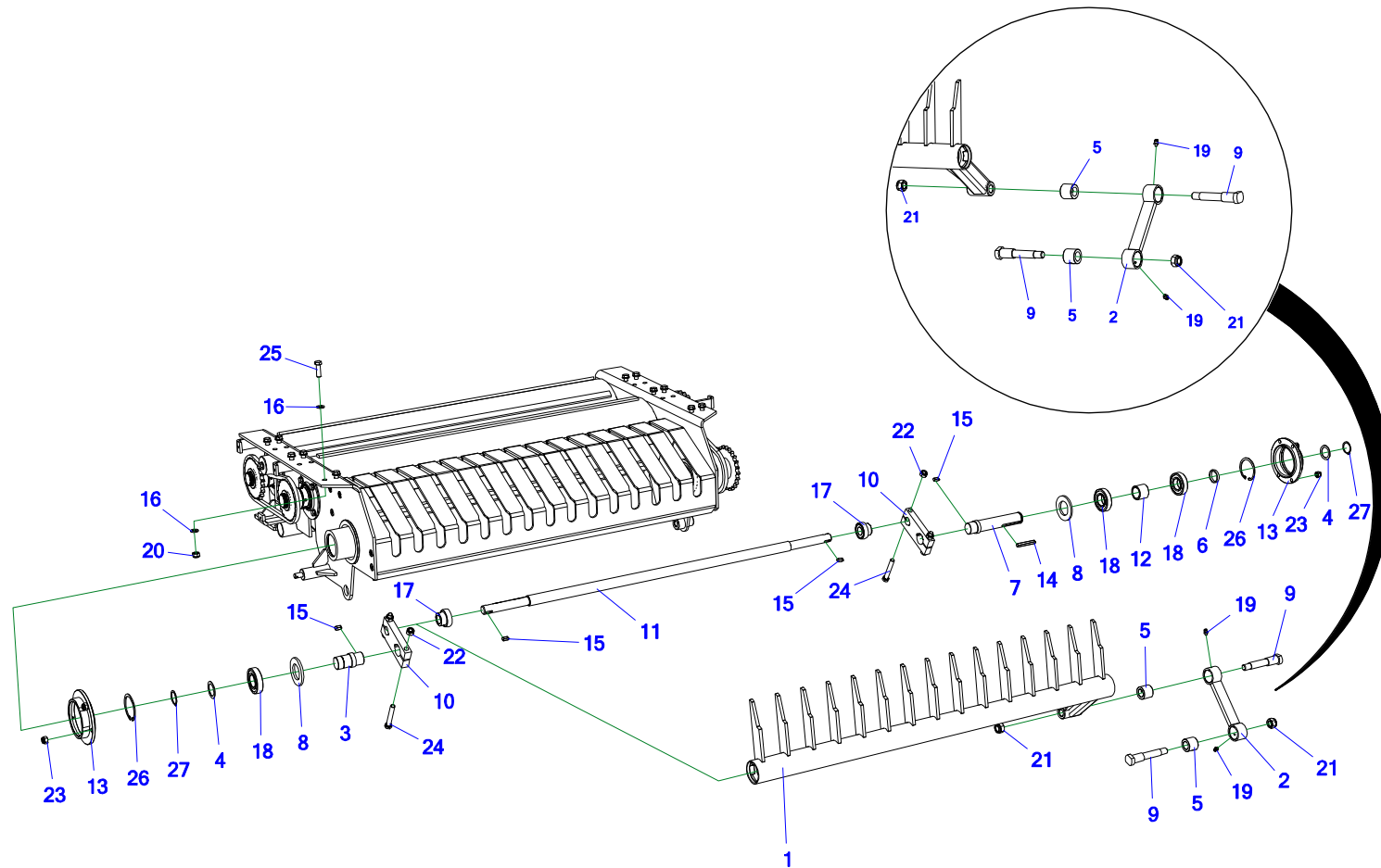


Table 14. Toss assembly

No.	Index	Part or assembly name	Quantity
1	Z562 095.001.000.1	Welded rakes	1
2	Z562 095.003.000	Connector I set	1
3	Z587 030.028.00	Right axle shaft	1
4	Z562 096.000.042	Washer 48 x 35 x 1.5	2
5	Z562 095.003.003	Slide bushing	2
6	Z562 095.000.024	Spacer	1
7	Z562 095.000.012	Left axle shaft	1
8	Z562 095.000.006	Thrust washer	2
9	Z562 095.000.005	Special bolt M16	2
10	Z562 095.000.004	Toss block	2
11	Z562 095.000.002.1	Toss axle	1
12	Z562 095.000.014	Spacer bushing	1
13	Z562 095.000.009.1	Housing I	2
14	23WP8/7/70	Key 8 x 7 x 70	1
15	23WP8/7/20	Key 8 x 7 x 20 DIN 6885	4
16	23P12OC	Round washer 12 galv., 82005	24
17	25L205	Bearing FD205	2
18	POD-LOZ-000171	Bearing 6207 2RS (Fe) cat. B	3
19	23SM	Lubricating nipple M6 x 1.0 straight	2
20	23NS12OC	Self-locking nut M12 galv., 82175 8 82175 8	12

No.	Index	Part or assembly name	Quantity
21	23NS16OC	Self-locking nut M16 galv., 82175 8 82175 8	2
22	23NS12OC	Self-locking nut M12 galv., 82175 8 82175 8	4
23	23NS10OC	Self-locking nut M10 galv., 82175 8 82175 8	8
24	23S12/80OC 8.8	Bolt 12 x 80 galv., 8.8 82101 82101	4
25	23S12/40OC	Bolt 12 x 40 galv., 8.8 82101 82101	12
26	23SW72	Circlip W72	2
27	23SZ35	Circlip Z35	2

15. FLOOR – FRONT SHAFT

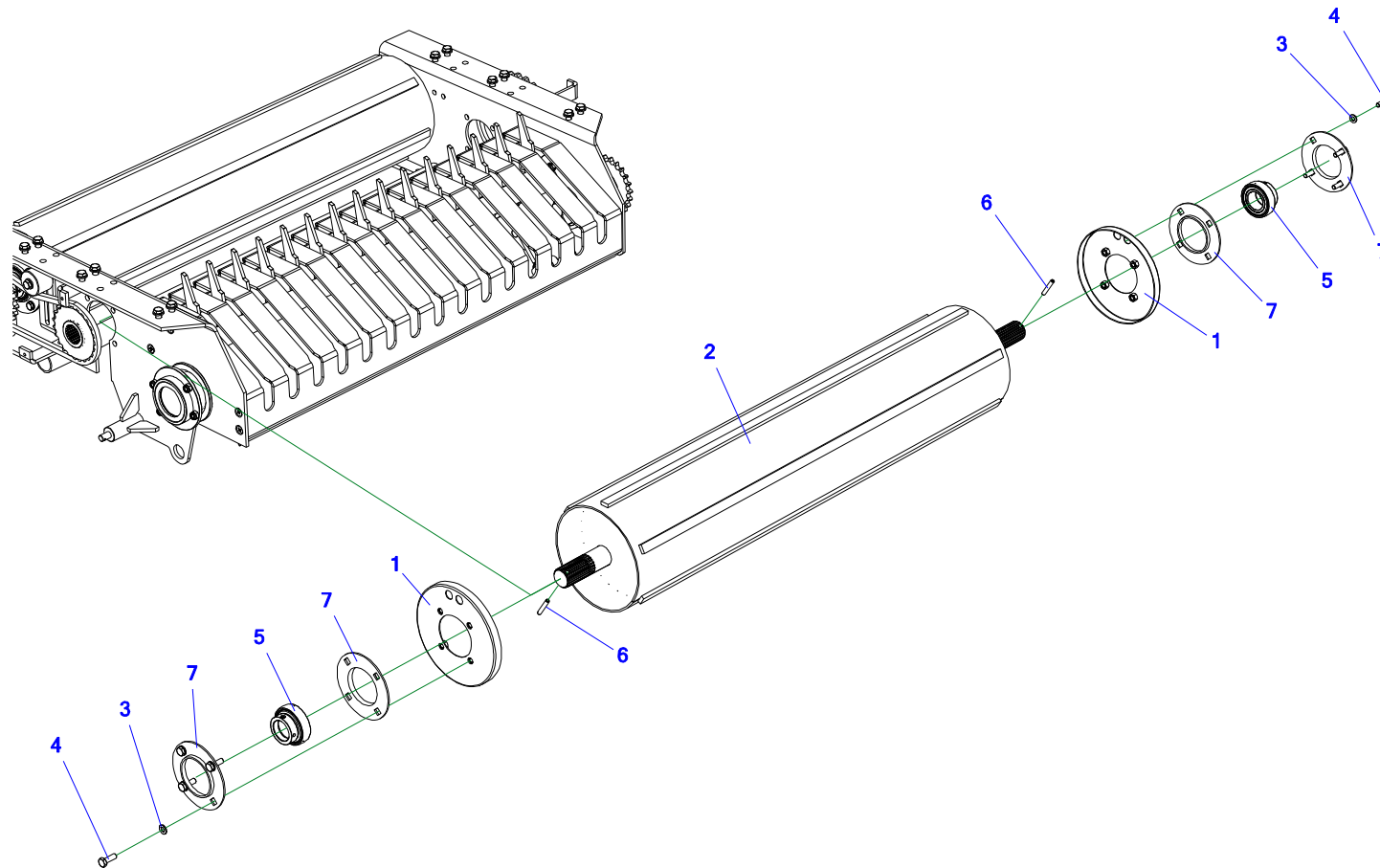


Table 15. Floor – front shaft

No.	Index	Part or assembly name	Quantity
1	Z587 030.260.01	Shaft guard	2
2	Z587 030.220.01	Toss shaft assy. 1	1
3	23P10 82005	Round washer 10 galv., 82005 82005	8
4	23S10/30 8.8	Bolt 10 x 30 black, 8.8 82105 82105	8
5	25LO209	Bearing FD209	2
6	23K8/50	Resilient stud 8 x 50 DIN 1481	2
7	POD-LOZ-000209	Metal housing P-209	4

16. FLOOR – REAR SHAFT

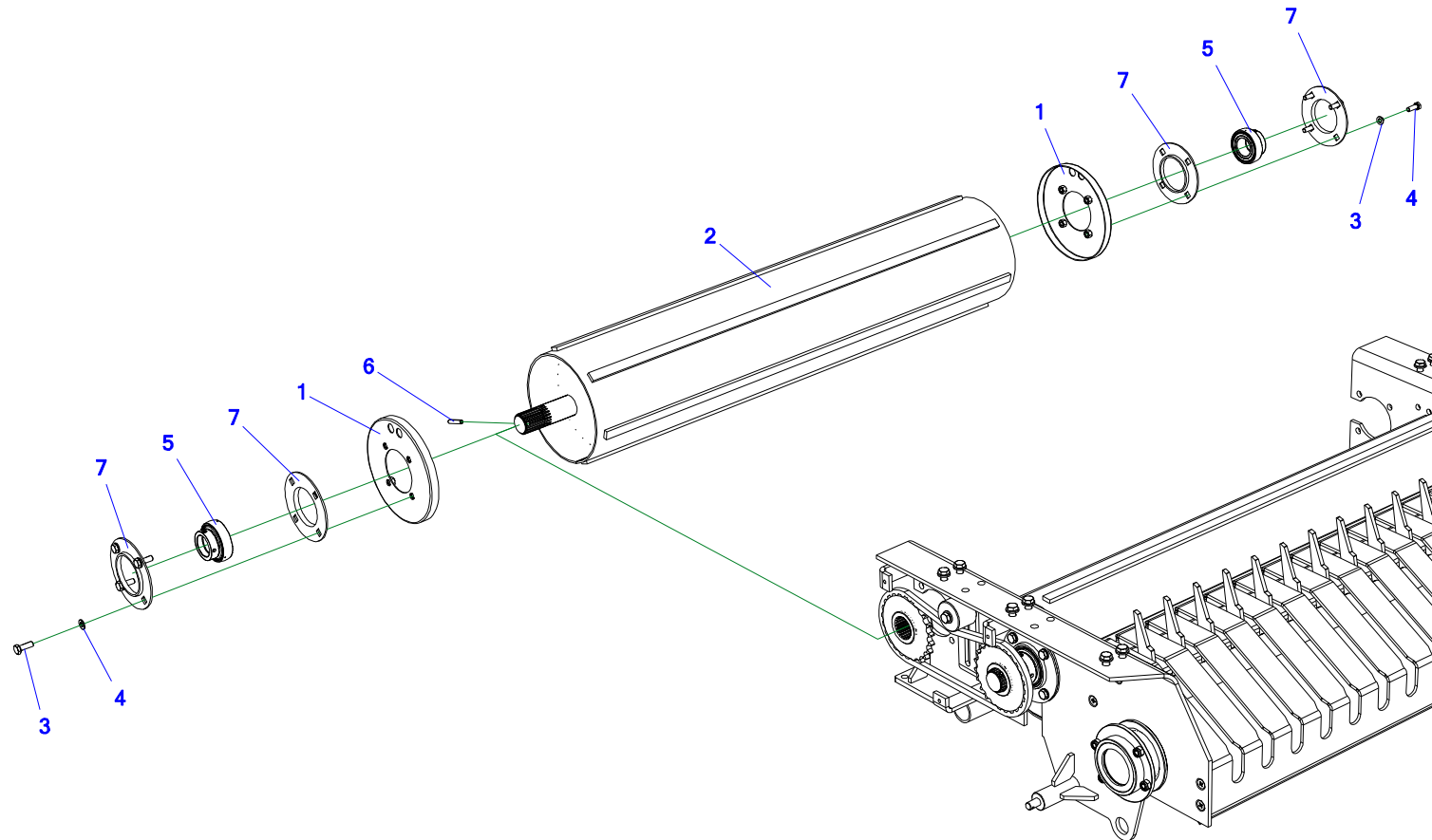


Table 16. Floor – rear shaft

No.	Index	Part or assembly name	Quantity
1	Z587 030.260.01	Shaft guard	2
2	Z587 030.250.02	Toss shaft assy. 2	1
3	23P10 82005	Round washer 10 galv., 82005 82005	8
4	23S10/30 8.8	Bolt 10 x 30 black, 8.8 82105 82105	8
5	25LO209	Bearing FD209	2
6	23K8/50	Resilient stud 8 x 50 DIN 1481	1
7	POD-LOZ-000209	Metal housing P-209	4

17. PICK-UP – BODY

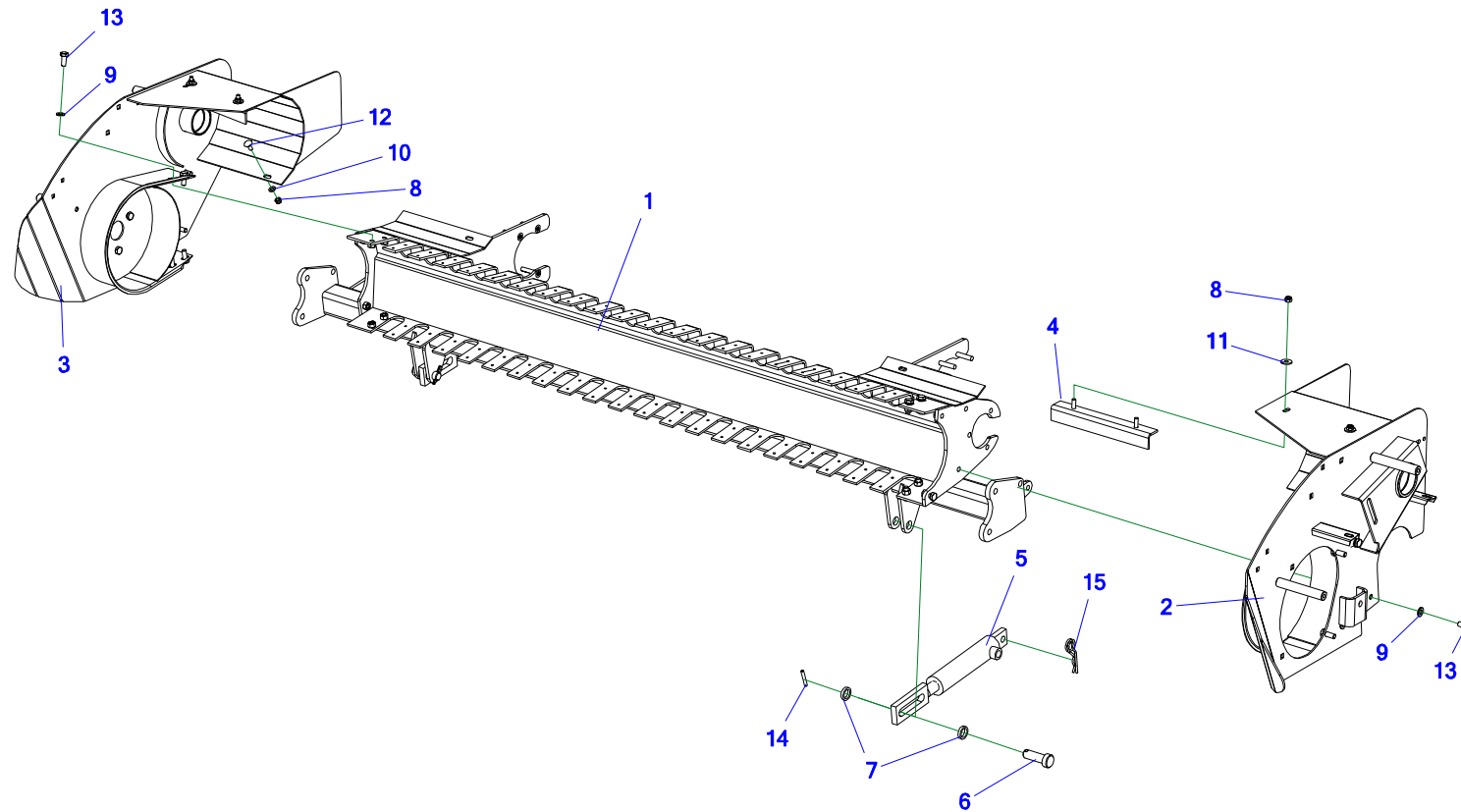


Table 17. Pick-up – body

No.	Index	Part or assembly name	Quantity
1	Z562 097.003.000.1	Pick-up frame assy.	1
2	Z562 097.002.000.1	Wall left assy.	1
3	Z562 097.001.000.1	Right wall assy.	1
4	Z562 097.010.000	Worm guard angle assy.	2
5	24SCN08-18-25/130	Cylinder 25/130	2
6	Z562 000.000.197	Pin II	2
7	Z562 000.000.022	Distance sleeve II	4
8	23NS8OC	Self-locking nut M8 galv., 82175 8 82175 8	6
9	23P10 82005	Round washer 10 galv., 82005 82005	16
10	23P8OOC	Round washer 8 galv., 82005 82005	2
11	23P8OC 82030	Round washer 8 galv., coated 82030	4
12	POD-ELZ-000423	Carriage bolt 8 x 20 galv., 8.8 82406	2
13	23S10/25OC 8.8	Bolt 10 x 25 galv., 8.8 82105 82105	16
14	23K6/45	Resilient stud 6 x 45 DIN 1481	2
15	23ZSP4	Double spring cotter pin 4 mm galv., (letter R chassis)	2

18. PICK-UP – LEFT-HAND SIDE

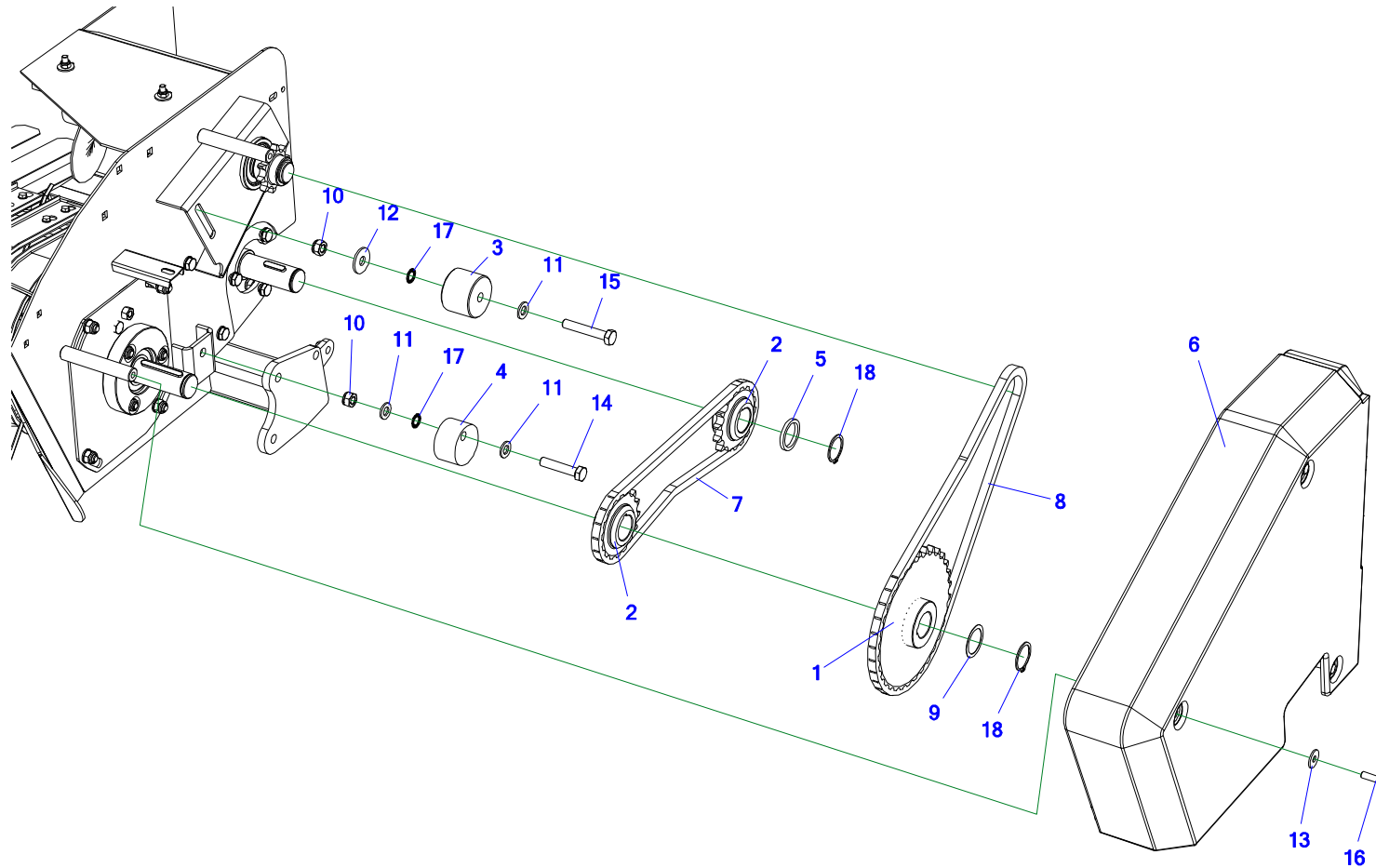


Table 18. Pick-up – left-hand side

No.	Index	Part or assembly name	Quantity
1	Z562 096.008.000.1	Chain wheel 12B-1 Z32	1
2	Z562 096.000.017	Chain wheel 12B-1 Z16	2
3	Z562 000.000.207	Slide II	1
4	Z562 096.000.028	Chain tensioner	1
5	Z587 000.019.00	Ring	1
6	POD-TSZ-000208	Left shield	1
7	Chain 7 (pick-up)	12 B1 49 links + curved connection	1
8	Chain 6 (pick-up)	12 B1 58 links + straight connector	1
9	POD-ELZ-000877	Spacer PS35 x 45 x 0.5	1
10	23NS12OC	Self-locking nut M12 galv., 82175 8 82175 8	2
11	23P12OC	Round washer 12 galv., 82005	3
12	23P12OOC	Round washer 12 galv., coat. 82030	1
13	23P8OC 82030	Round washer 8 galv., coated 82030	3
14	POD-ELZ-000429	Bolt, 12 x 60, galv., 8.8 82105	1
15	23S12/70OC 8.8	Bolt 12 x 70 galv., 8.8 82101 82101	1
16	23S8/25 8.8	Screw 8 x 25 black, 8.8 82105 82105	3
17	23PW12.3OC	Spring washer M12 galv. DIN6798DD	2
18	23SZ35	Circlip Z35	2

19. PICK-UP – RIGHT SIDE

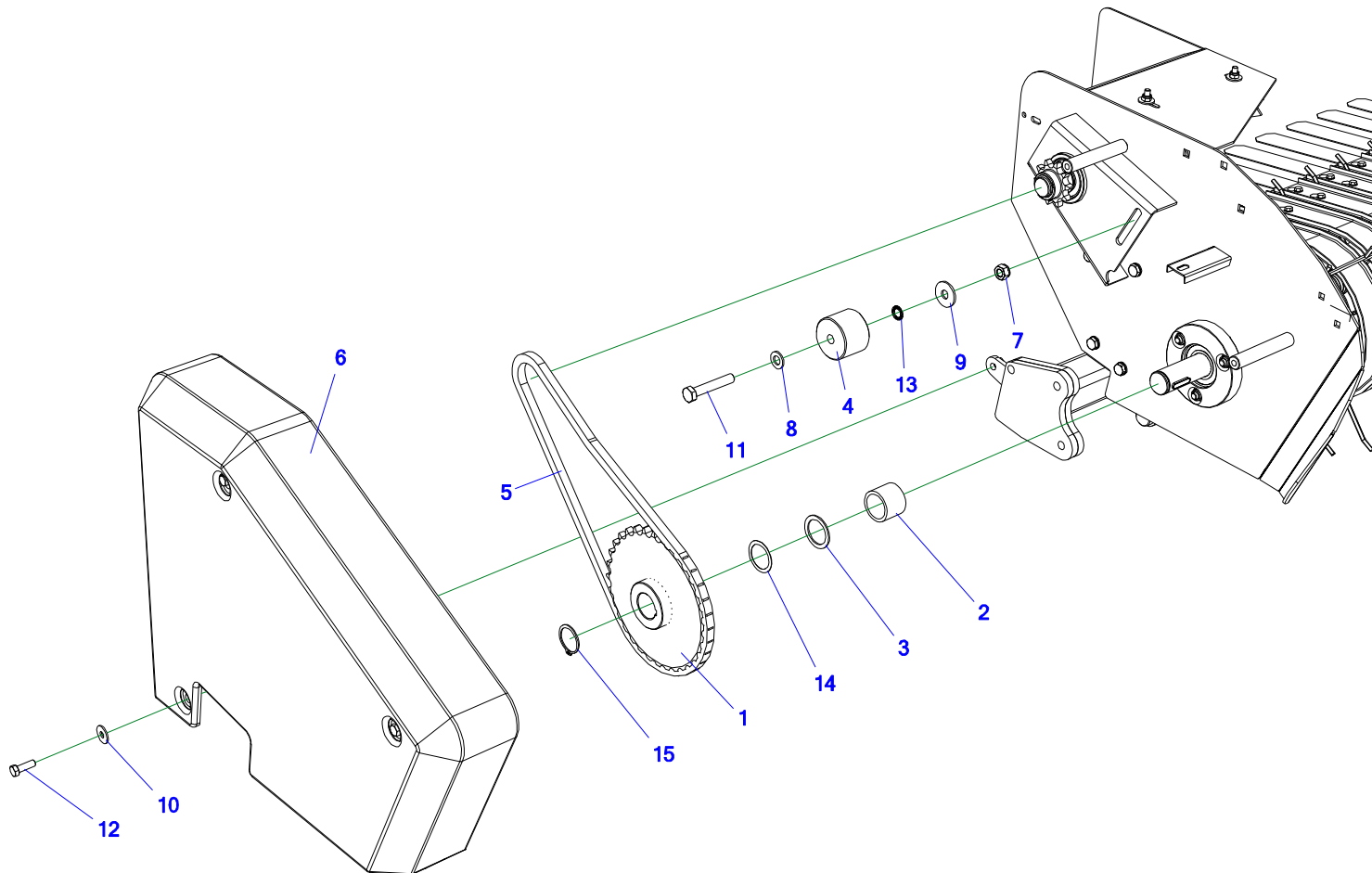


Table 19. Pick-up – right side

No.	Index	Part or assembly name	Quantity
1	Z562 096.008.000.1	Chain wheel 12B-1 Z32	1
2	Z562 096.000.014.1	Bushing I	1
3	Z587 000.010.00	Washer 35 x 47 x 2	1
4	Z562 000.000.207	Slide II	1
5	Chain 6 (pick-up)	12 B1 58 links + straight connector	1
6	POD-TSZ-000209	Right shield	1
7	23NS12OC	Self-locking nut M12 galv., 82175 8 82175 8	1
8	23P12OC	Round washer 12 galv., 82005	1
9	23P12OOC	Round washer 12 galv., coat. 82030	1
10	23P8OC 82030	Round washer 8 galv., coated 82030	3
11	23S12/70OC 8.8	Bolt 12 x 70 galv., 8.8 82101 82101	1
12	23S8/25 8.8	Screw 8 x 25 black, 8.8 82105 82105	3
13	23PW12.3OC	Spring washer M12 galv., DIN6798DD	1
14	POD-ELZ-000877	Spacer PS35 x 45 x 0.5	1
15	23SZ35	Circlip Z35	1

20. PICK-UP – AUGERS

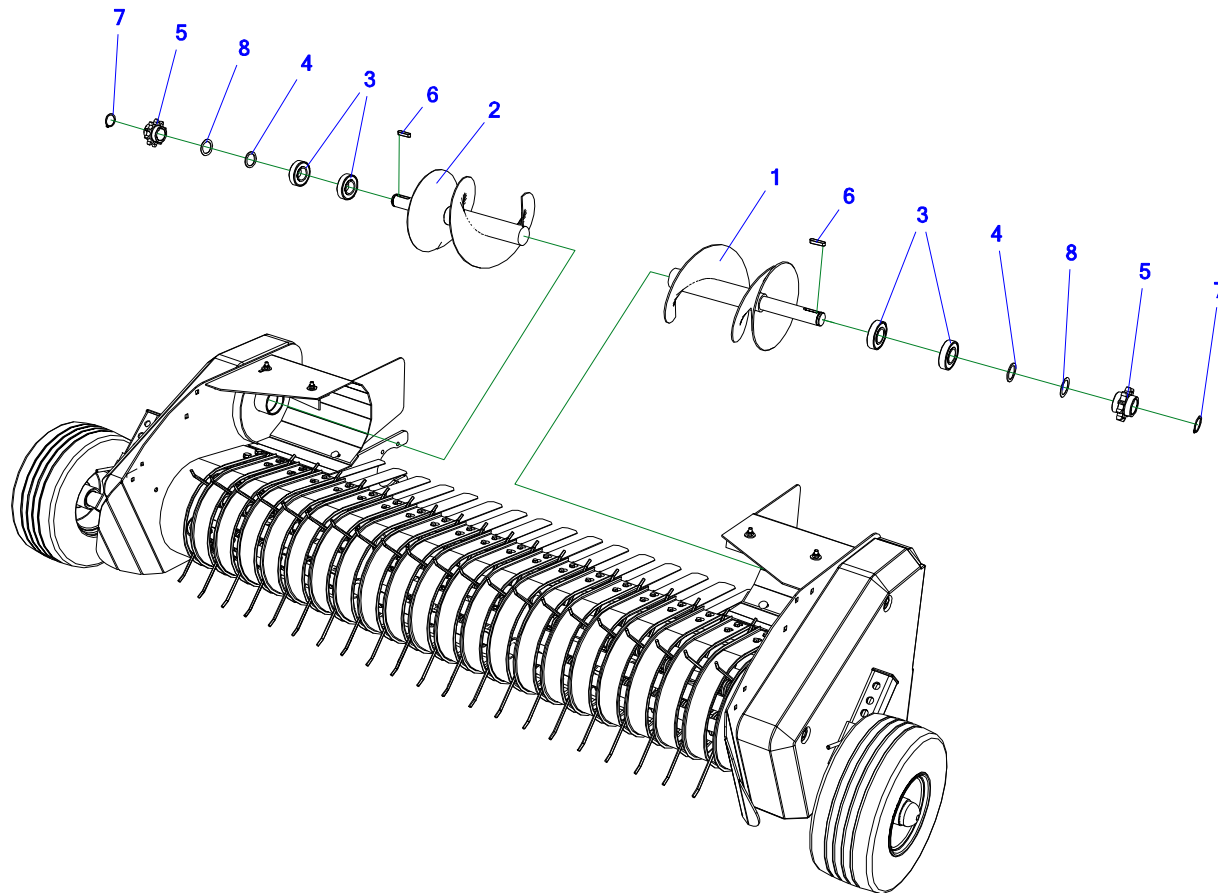


Table 20. Pick-up – augers

No.	Index	Part or assembly name	Quantity
1	Z562 097.021.000	Left auger assy.	1
2	Z562 097.020.000	Right auger assy.	1
3	POD-LOZ-000169	Bearing 6206 2RS (Fe)	4
4	Z587 000.016.00	Washer 30 3 x 40 x 2	2
5	Z562 096.007.002	Chain wheel 12B-1 Z10	2
6	23WP8/7/36	Key 8 x 7 x 36	2
7	23SZ30	Circlip, Z30	2
8	POD-ELZ-000917	Spacer PS30 x 42 x 0.5	2

21. PICK-UP – SPRING AXLE

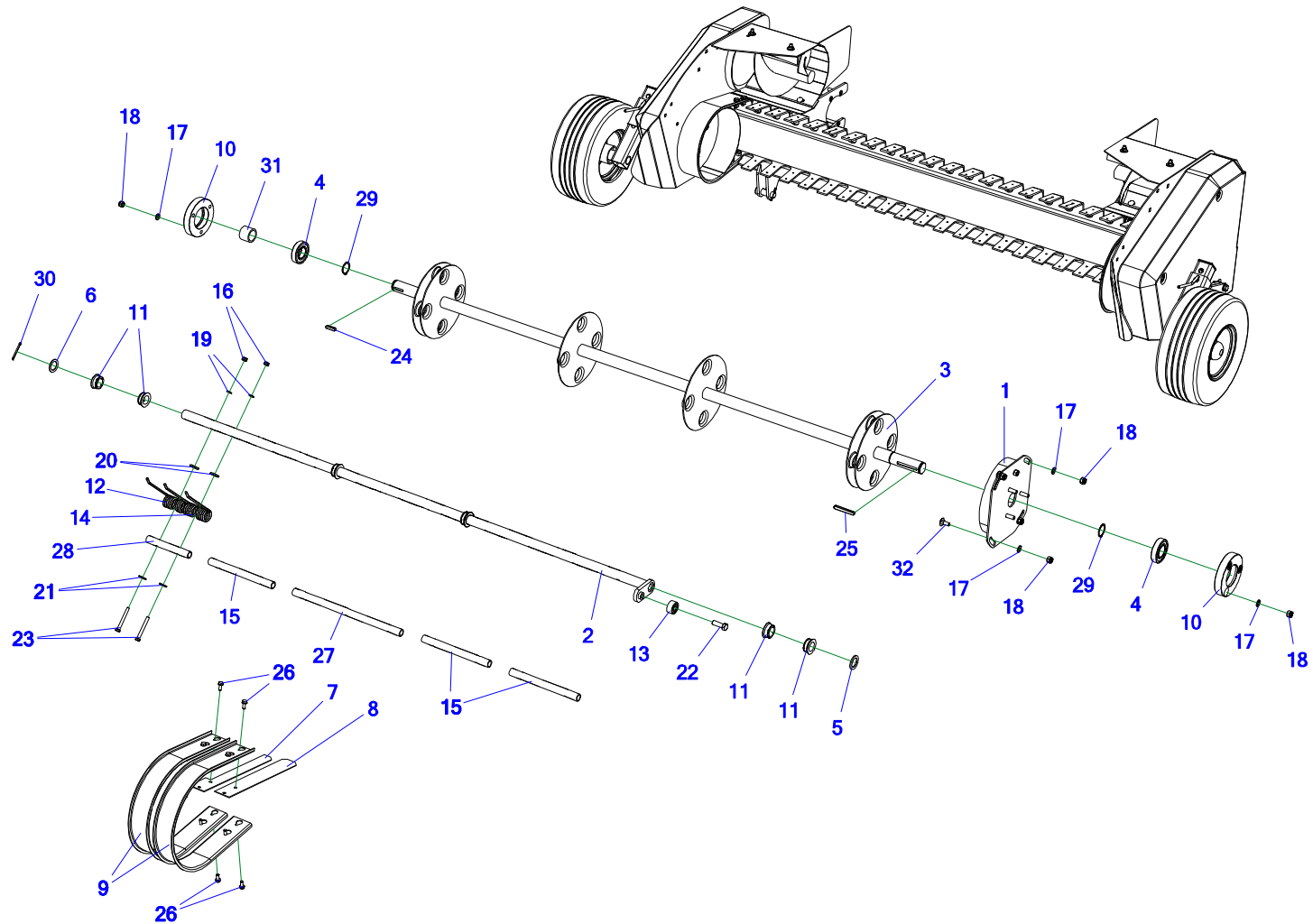


Table 21. Pick-up – spring axle

No.	Index	Part or assembly name	Quantity
1	Z562 097.008.000	Raceway assy.	1
2	Z562 097.005.000.1	Spring axle	4
3	Z562 097.004.000	Main shaft assy.	1
4	POD-LOZ-000171	Bearing 6207 2RS (Fe) cat. B	2
5	Z562 097.000.019	Spacer II	4
6	Z562 097.000.018	Spacer I	4
7	Z562 097.000.017	Steel plate II	2
8	Z562 097.000.016	Steel plate I	14
9	Z562 097.000.015	Guard	20
10	Z562 097.000.009	Bearing box	2
11	Z562 097.000.006	Tecamid sleeve	24
12	POD-SPR-000086 extreme	Maz-7492 pick-up spring	4
13	POD-LOZ-000227	Track roller 305701 C-2Z	4
14	POD-SPR-000086	Torsion spring 6/36.7/178/10 galv.	40
15	Z562 096.000.012	Tube I	12
16	23NS8OC	Self-locking nut M8 galv., 82175 8 82175 8	44
17	23P10 82005	Round washer 10 galv., 82005 82005	10
18	23NS10OC	Self-locking nut M10 galv., 82175 8 82175 8	10
19	23P8OOC	Round washer 8 galv., 82005 82005	44
20	23P8 82019OC	Round washer 8 galv., coated 82019	44

No.	Index	Part or assembly name	Quantity
21	23P8OC 82030	Round washer 8 galv., coated 82030	44
22	23S12/35OC 8.8	Bolt 12 x 35 galv., 8.8 82105 82105	4
23	23S8/70OC	Bolt 8 x 70 galv., 8.8 82101 82101	44
24	23WP8/7/36	Key 8 x 7 x 36	1
25	23WP8/7/70	Key 8 x 7 x 70	1
26	POD-ELZ-000513	Self-forming screw 6 x 16 galv., DIN 7500D-six	80
27	Z562 097.000.024	Tube I	4
28	Z562 097.000.025	Tube II	4
29	23SZ35	Circlip Z35	2
30	23Z4/50	Cotter pin 4 x 50 galv.	4
31	Z562 096.000.014.1	Bushing I	1
32	POD-ELZ-000432	Carriage bolt 10 x 25 galv., 8.8 82406	2

22. PICK-UP – DRIVE AXLE AND CLUTCH

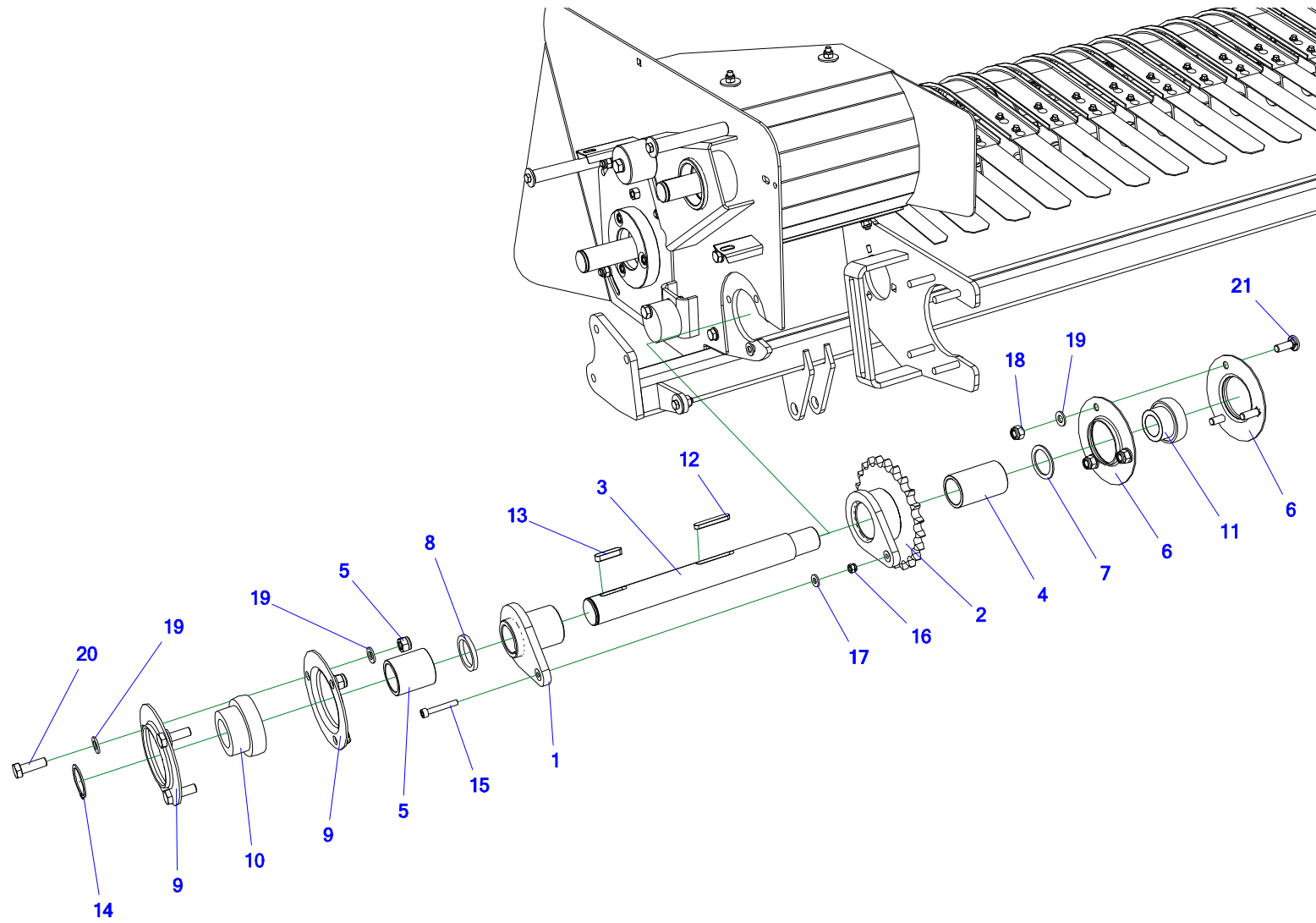


Table 22. Pick-up – drive axle and clutch

No.	Index	Part or assembly name	Quantity
1	Z562 096.022.000	Coupling II	1
2	Z562 096.021.000	Coupling I	1
3	Z562 097.000.020.1	Drive shaft	1
4	Z562 097.000.022	Spacer bushing L=72	1
5	Z562 097.000.021	Spacer bushing L=48.5	1
6	Z562 096.000.041	Sheet metal enclosure P206	2
7	Z587 000.010.00	Washer 35 x 47 x 2	1
8	Z587 000.019.00	Ring	1
9	25OP207	Metal housing P-207	2
10	25L207	Bearing FD207	1
11	25L206	Bearing FD206	1
12	23WP8-7-50	Key 8 x 7 x 50	1
13	23WP8-7-36	Key 8 x 7 x 36	1
14	23SZ35	Circlip z35	1
15	23SI6-40 10.9	Allen bolt 6 x 40 galv., 10.9 82302 10.9	1
16	23NS6OC	Self-locking nut M6 galv., 82175 8	1
17	23P6OOC	Round washer, 6 galv., 82005	1
18	23NS10OC	Self-locking nut, M8, galv., 82175 8	6
19	23P10 82005	Round washer, 10 galv., 82005	9
20	23S10-30OC 8.8	Bolt, 10 x 30, galv., 82105 82105	3
21	23S10-30P	Carriage bolt 10 x 30 galv., 82406	3

23. PICK-UP – LEFT-HAND WHEEL

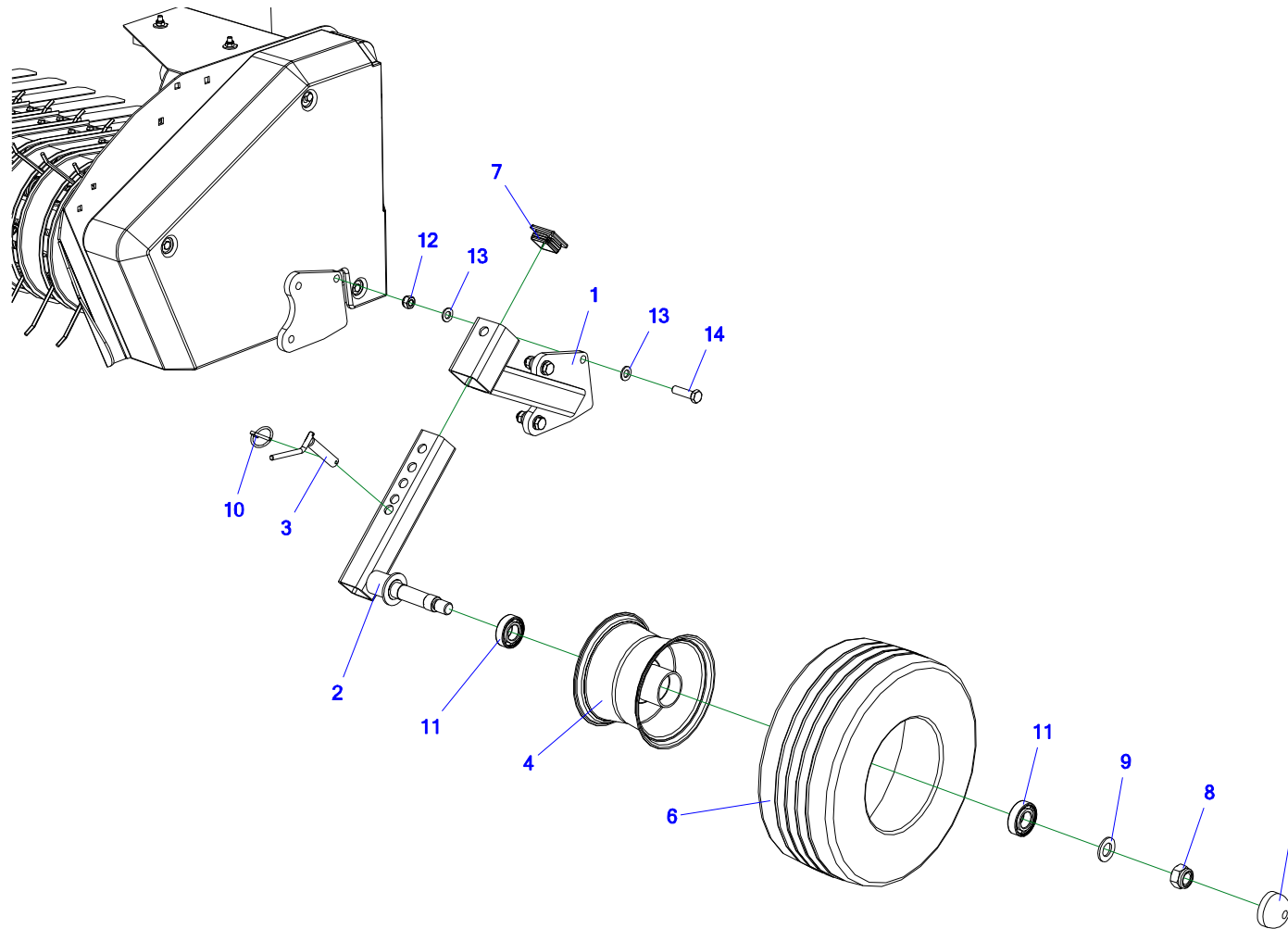


Table 23. Pick-up – left-hand wheel

No.	Index	Part or assembly name	Quantity
1	Z562 097.022.100.1	Support for left copy wheel	1
2	Z562 097.022.200.1	Pick-up wheel support	1
3	Z562 096.016.400	Pin – cotter pin	1
4	POD-KOJ-000075	Copy wheel rim	1
5	POD-KOJ-000075 cap	Cap	1
6	POD-KOJ-000076	Copy wheel tyre	1
7	POD-TSZ-000137	Cap 50 x 50 No. 199274	1
8	23NS20OC 82175	Self-locking nut M20 galv., 82175 8 82175 8	1
9	23P20OOC	Round washer 20 galv., 82005 82005	1
10	POD-ELZ-000444	Cotter pin with a ring 4.5 mm	1
11	25L6205	Bearing 6205 2RS	2
12	23NS12OC	Self-locking nut M12 galv., 82175 8 82175 8	3
13	23P12OC	Round washer 12 galv., 82005	6
14	23S12/45 8.8OC.	Bolt 12 x 45 galv., 8.8 82101 82101	3

24. PICK-UP – RIGHT-HAND WHEEL

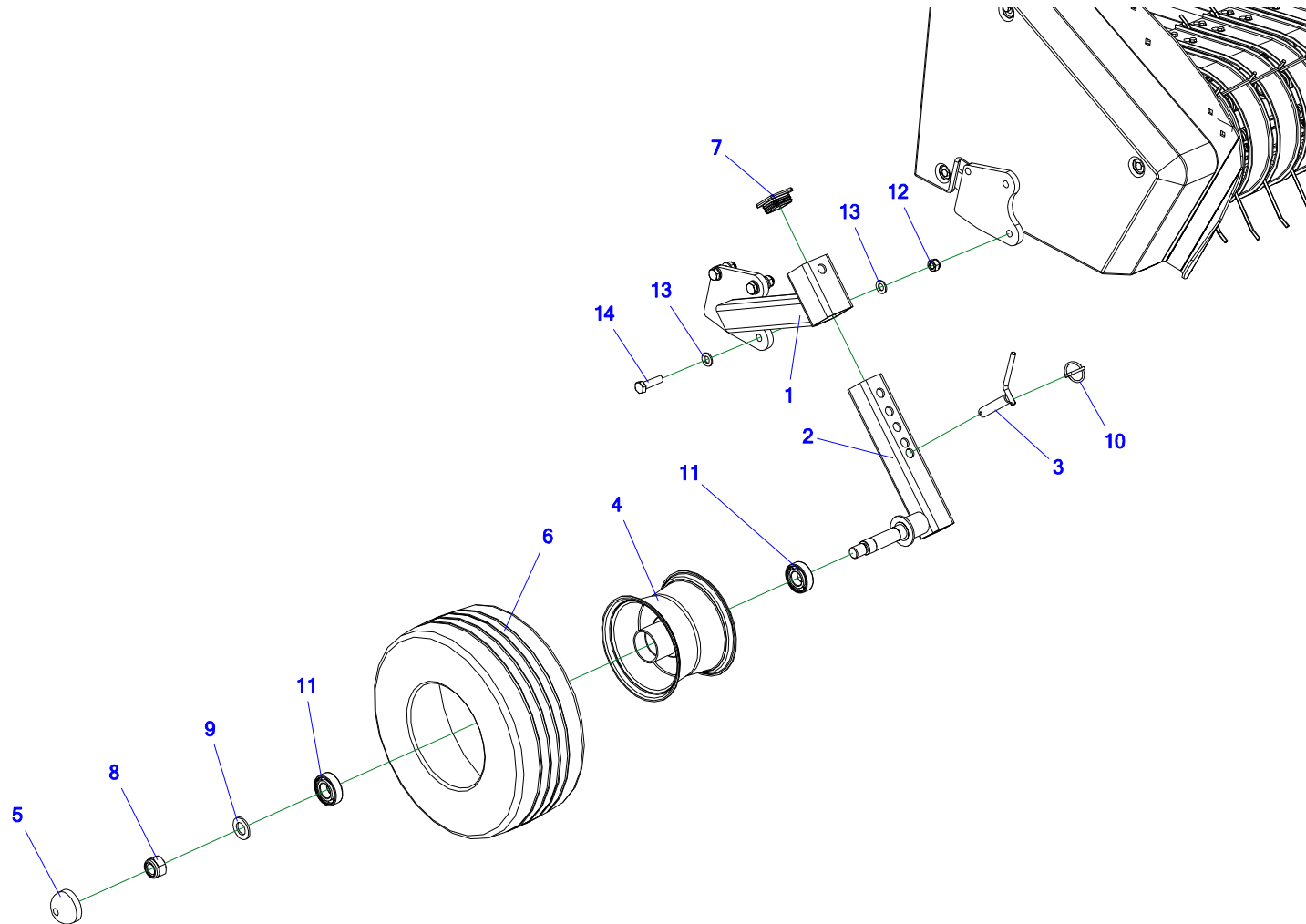


Table 24. Pick-up – right-hand wheel

No.	Index	Part or assembly name	Quantity
1	Z562 097.023.100.1	Support for right-hand copy wheel	1
2	Z562 097.022.200.1	Pick-up wheel support	1
3	Z562 096.016.400	Pin – cotter pin	1
4	POD-KOJ-000075	Copy wheel rim	1
5	POD-KOJ-000075 cap	Cap	1
6	POD-KOJ-000076	Copy wheel tyre	1
7	POD-TSZ-000137	Cap 50 x 50 No. 199274	1
8	23NS20OC 82175	Self-locking nut M20 galv., 82175 8 82175 8	1
9	23P20OOC	Round washer 20 galv., 82005 82005	1
10	POD-ELZ-000444	Cotter pin with a ring 4.5 mm	1
11	25L6205	Bearing 6205 2RS	2
12	23NS12OC	Self-locking nut M12 galv., 82175 8 82175 8	3
13	23P12OC	Round washer 12 galv., 82005	6
14	23S12/45 8.8OC.	Bolt 12 x 45 galv. 8.8 82101 82101	3

25. WINDROW CLAMP

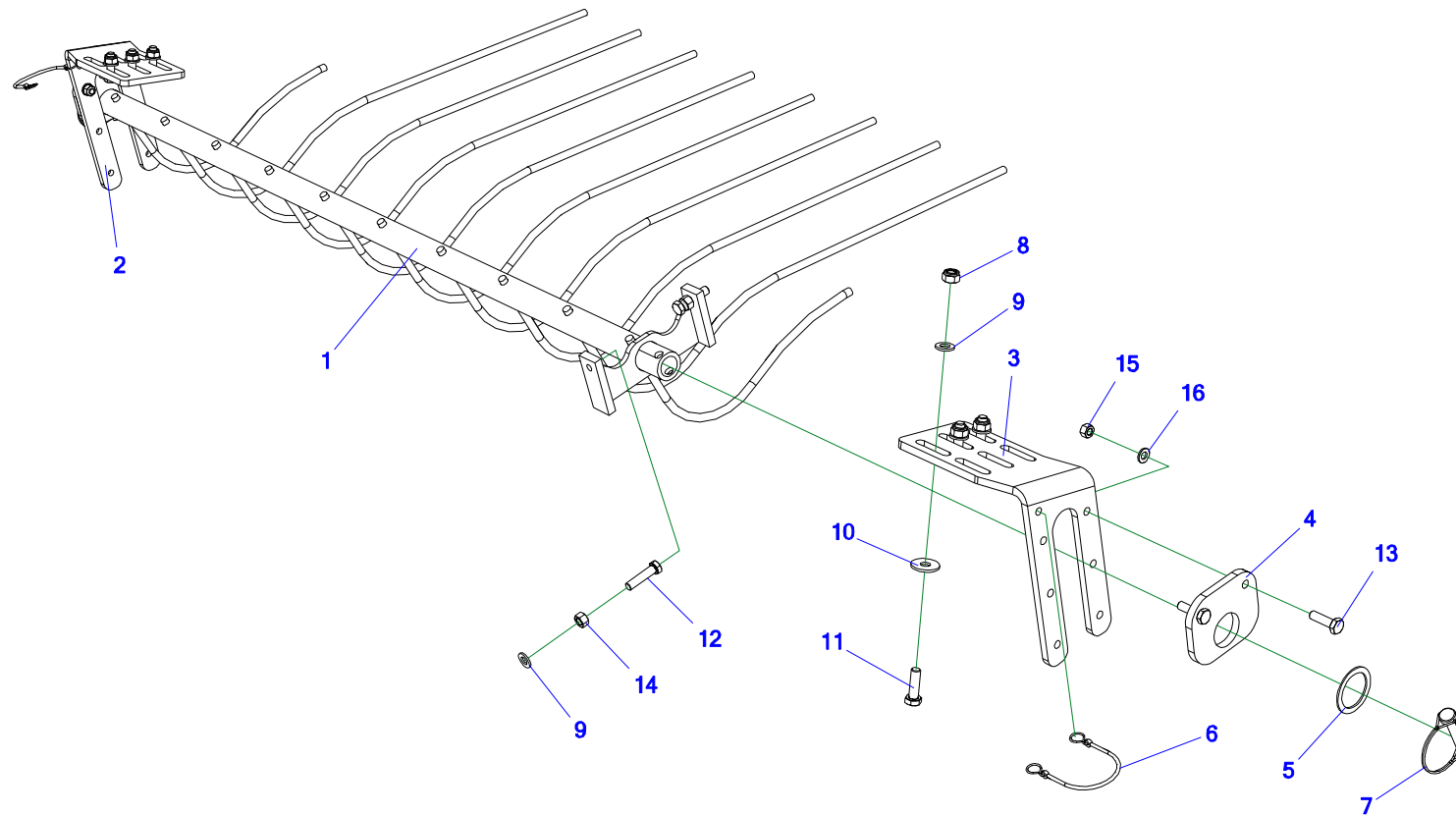


Table 25. Windrow clamp

No.	Index	Part or assembly name	Quantity
1	Z587 120.210.01	Welded clamp	1
2	Z587 120.010.02	Clamping bracket R	1
3	Z587 120.015.00	Clamping bracket L	1
4	Z587 120.016.00	Adjustment plate	2
5	Z562 000.176.004	Washer 44 5 x 58	2
6	POD-OGL-001223	Rubber cable for pins with hooks 240 mm 00250	2
7	POD-ELZ-000543	Tubular pin 10 x 60 A-9.8 C-70	2
8	23NS12OC	Self-locking nut M12 galv., 82175 8 82175 8	6
9	23P12OC	Round washer 12 galv., 82005	7
10	23P12OOC	Round washer 12 galv., coat. 82030	6
11	23S12/40OC	Bolt 12 x 40 galv., 8.8 82101 82101	6
12	23S12/50OC	Screw 12 x 50 galv., 8.8 82105 82105	2
13	23S10/35	Screw 10 x 35 black, 8.8 82105 82105	4
14	POD-ELZ-000442	Nut, M12 x 1.5, galv., 82144	2
15	23N10	Nut M10 galv., 82144 5 82144 5	4
16	POD-ELZ-000951	Washer round 10 galv., reinforced HV200 82005 DIN125 10.5 x 20	4

26. TWINE WRAPPER – TWINE CONTAINER

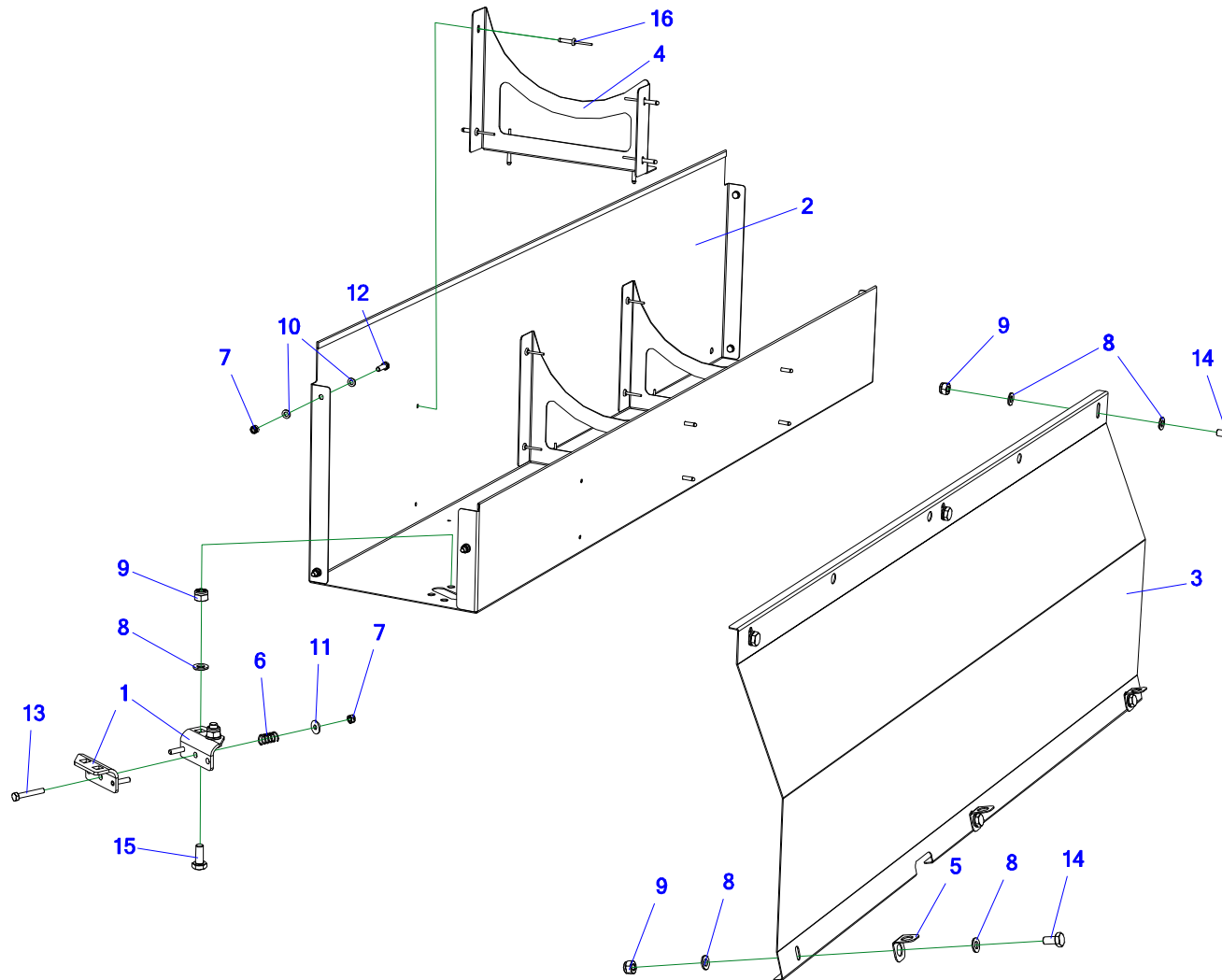


Table 26. Twine wrapper – twine container

No.	Index	Part or assembly name	Quantity
1	Z562 042.001.000.1	Tensioner body	4
2	Z587 090.056.03	Container body	1
3	Z587 090.058.04	Mesh cover	1
4	Z587 090.057.01	Partition	3
5	Z587 000.018.00	Cable plate	3
6	23SS1-15-25	Spring maz-1788	2
7	23NS6OC	Self-locking nut M6 galv., 82175 8 82175 8	8
8	23P10 82005	Round washer 10 galv., 82005 82005	20
9	23NS10OC	Self-locking nut M10 galv., 82175 8 82175 8	10
10	23P6OOC	Round washer 6 galv., 82005 82005	12
11	23P6OC030	Round washer 6 galv., coated 82030	2
12	23S6/20	Bolt 6 x 20 galv., 8.8 82105 82105 8.8	6
13	23S6/40OC.	Bolt 6 x 40 galv., 8.8 82105 82105 8.8	2
14	23S10/20OC 8.8	Bolt 10 x 20, galv., 8.8 82105 82105	6
15	23S10/25OC 8.8	Bolt 10 x 25 galv., 8.8 82105 82105	4
16	POD-ELZ-000414	Aluminium/steel pop rivet 5 x 20	18

27. STRING WRAPPER – FRONT PART 1

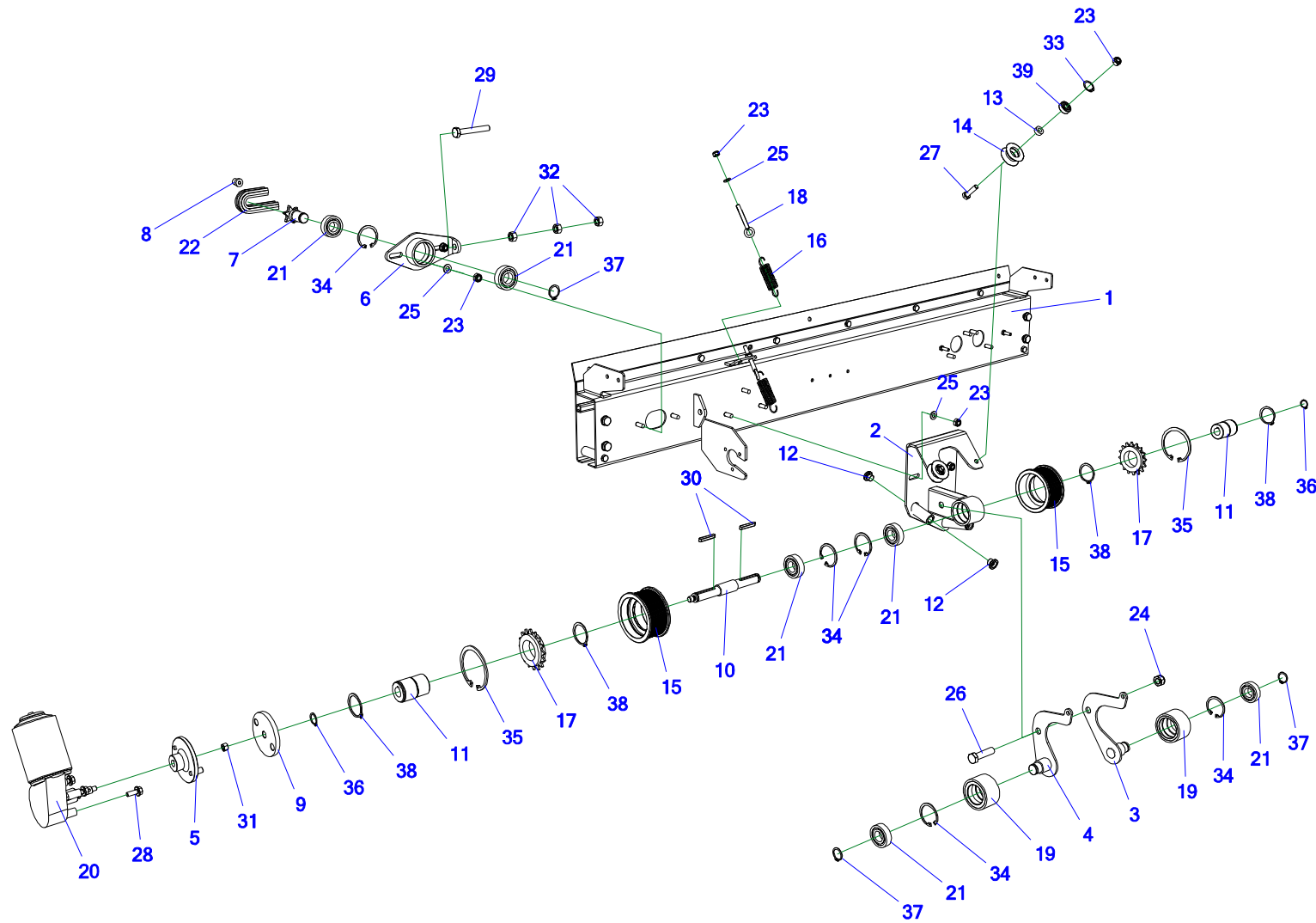


Table 27. String wrapper – front part 1

No.	Index	Part or assembly name	Quantity
1	Z587 090.210.02	Welded front sheet	1
2	Z587 090.360.00	Bracket welded	1
3	Z587 090.330.00	Welded arm right	1
4	Z587 090.320.00	Welded arm left	1
5	Z587 090.380.00	Weld disc POD-EOS-000400	1
6	Z587 090.240.00	Hub I, welded	1
7	Z587 090.009.00	Passive wheel POD-EOS-000396	1
8	Z587 090.064.00	Hardened sleeve	1
9	Z587 090.045.00	Shield 1	1
10	Z587 090.038.01	Conveyor shaft	1
11	Z587 090.035.01	Feeder coupling hub	2
12	Z587 090.061.00	Hardened sleeve	4
13	Z587 090.042.00	Washer 8 x 16 x 6	2
14	Z587 090.041.00	Guiding roller	2
15	Z587 090.036.01	Feed roller	2
16	POD-SPR-000060	Spring Maz-6531 galv., (1800025)-feraboli	2
17	POD-UGL-000411	Freewheel Z16	2
18	POD-ELZ-000547	Eye bolt 8 x 60, DIN444 B galv.	2
19	POD-UGL-001230	Pressure roller with rubber dia. 60 Z587 090.410.00	2
20	POD-UGL-000413	Electric motor	1

No.	Index	Part or assembly name	Quantity
21	POD-LOZ-000137	Bearing 6004 2RS	6
22	POD-LAN-000076	Chain 10B1 131 links (Fe)	1
23	23NS8OC	Self-locking nut M8 galv., 82175 8 82175 8	8
24	23NS12OC	Self-locking nut M12 galv., 82175 8 82175 8	1
25	23P8OOC	Round washer 8 galv., 82005 82005	6
26	POD-ELZ-000519	Bolt 12 x 50 galv., 10,9 82101	1
27	23S8/30OC 8.8	Bolt 8 x 30 galv., 8.8 82105 82105	2
28	POD-ELZ-000495	Flanged bolt M6 x 16 galv. 5.8 82247	3
29	23S10/70	Screw 10 x 70 galv., 8.8 82105 82105	1
30	POD-ELZ-000550	Key 5 x 5 x 36	2
31	23N6OC	Nut M6 galv., 82144 5 82144 5	1
32	23N10OC	Nut M10 galv., 82144 5 82144 5	3
33	23SW22	Circlip W22	2
34	23SW42	Circlip W42	5
35	23SW72	Circlip W72	2
36	POD-ELZ-000449	Circlip Z16	2
37	23SZ20	Circlip, Z20	3
38	23SZ35	Circlip Z35	4
39	25L608 2RS	Bearing 608 2RS	2

28. STRING WRAPPER – FRONT PART 2

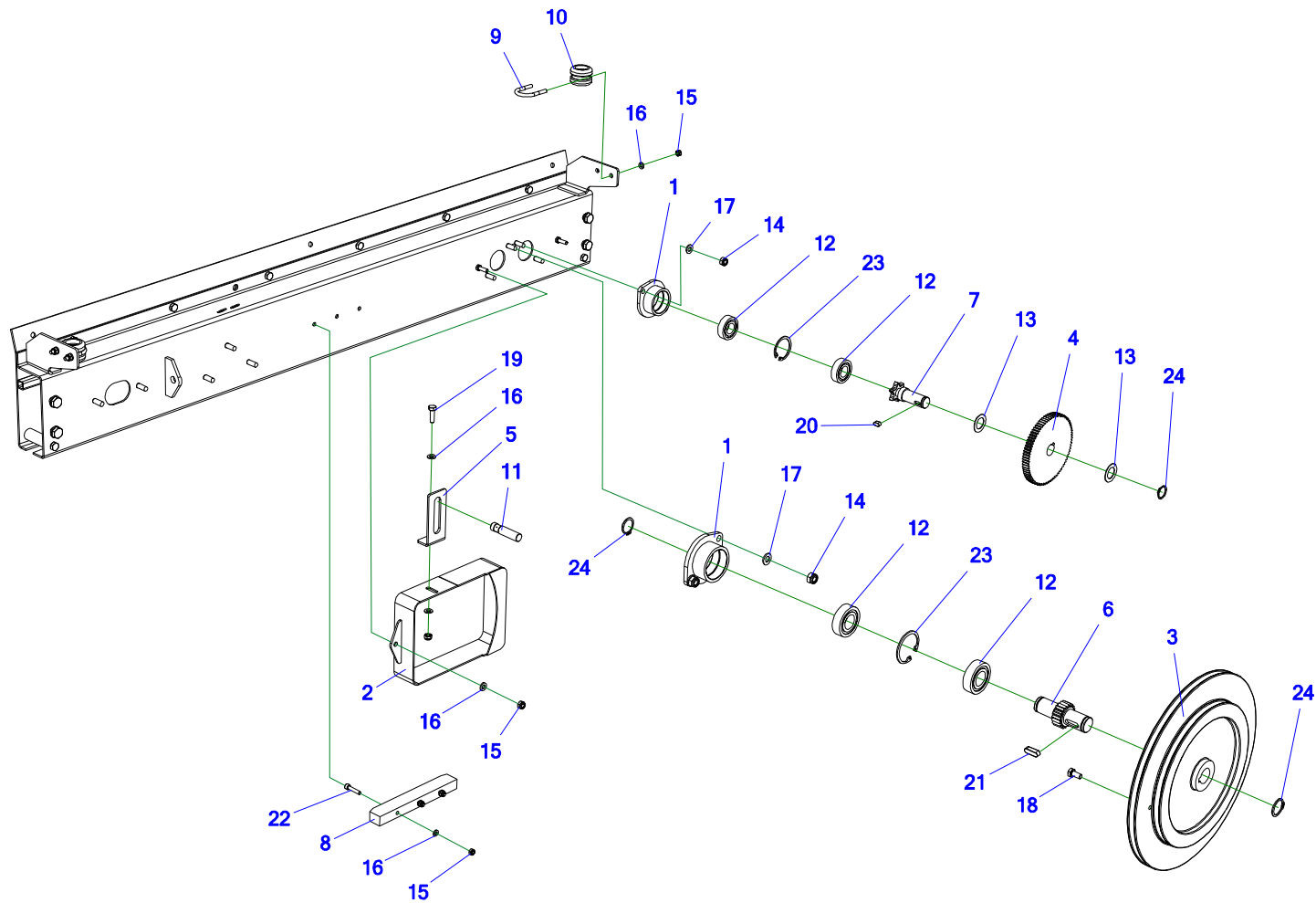


Table 28. String wrapper – front part 2

No.	Index	Part or assembly name	Quantity
1	Z587 090.230.00	Welded hub	2
2	Z587 090.300.00	Weld shield	1
3	Z587 090.021.01	Pulley POD-TSZ-000150	1
4	Z587 090.026.01	Wheel Z81 M1.5	1
5	Z587 000.001.00	Sensor support	1
6	Z587 090.022.00	Wheel Z20 M1.5 POD-EOS-000397	1
7	Z587 090.008.00	Active wheel POD-EOS-000395	1
8	Z587 090.016.00	Long slide	1
9	POD-ELZ-000475	Clamp M6 galv., Z-562 000.000.043	2
10	25PSZ	Twine guide	2
11	POD-ELK-000347	Inductive sensor BI4M12-AP6X-H1141	1
12	POD-LOZ-000137	Bearing 6004 2RS	4
13	POD-ELZ-000848	Spacer washer 20 x 32 x 1 DIN 988	2
14	23NS8OC	Self-locking nut M8 galv., 82175 8 82175 8	4
15	23NS6OC	Self-locking nut M6 galv., 82175 8 82175 8	10
16	23P6OOC	Round washer 6 galv., 82005 82005	11
17	23P8OOC	Round washer 8 galv., 82005 82005	4
18	23S6/12OC 8.8	Bolt 6 x 12 galv., 8.8 82105 82105 8.8	1
19	23S6/20	Bolt 6 x 20 galv., 8.8 82105 82105 8.8	1
20	POD-ELZ-000726	Key 6 x 6 x 12	1

No.	Index	Part or assembly name	Quantity
21	23WP6/6/20	Key 6 x 6 x 20	1
22	POD-ELZ-000065-1	Allen bolt 6 x 30 black, 12.9 82302	3
23	23SW42	Circlip W42	2
24	23SZ20	Circlip, Z20	3

29. TWINE WRAPPER – BACK

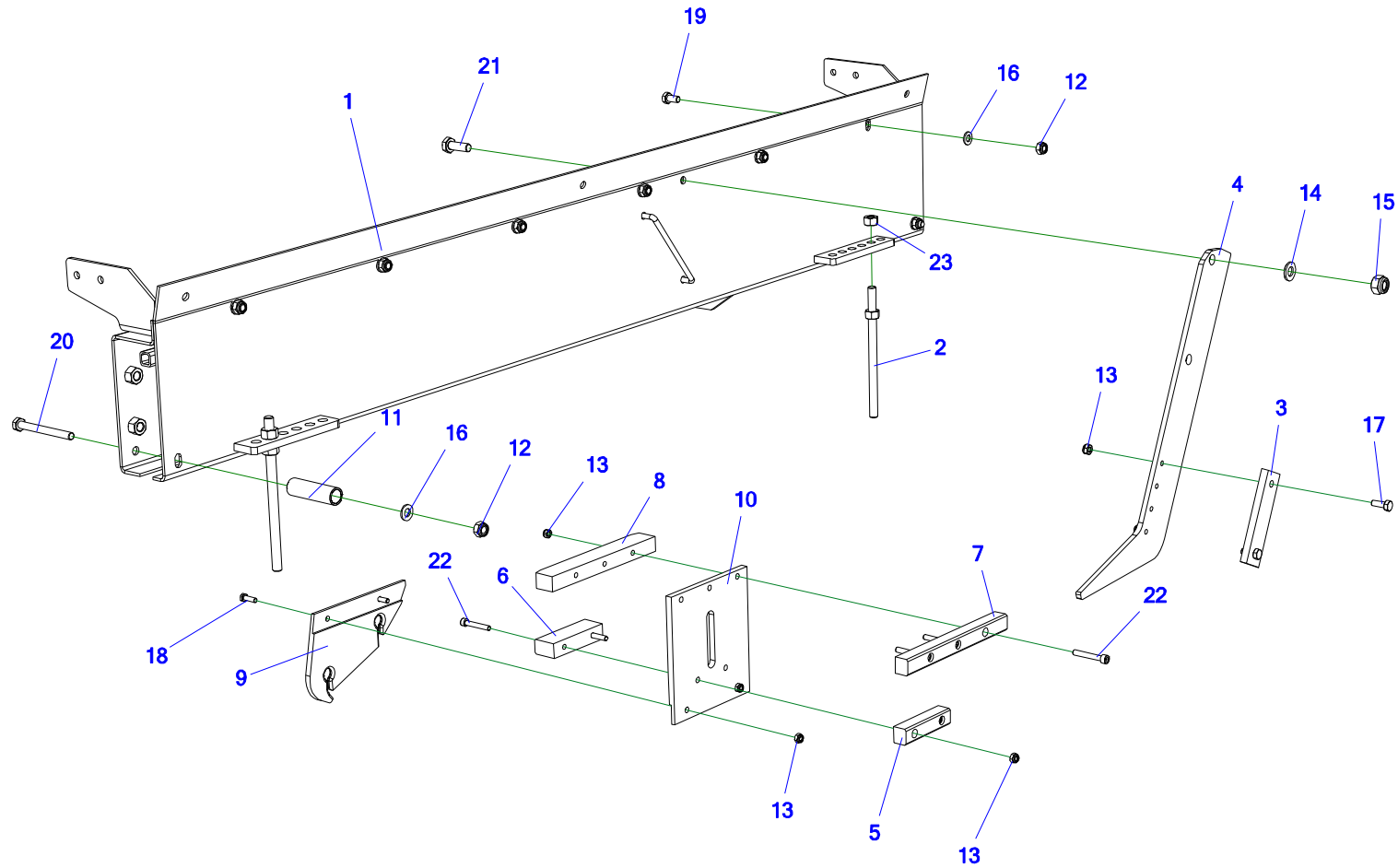


Table 29. Twine wrapper – back

No.	Index	Part or assembly name	Quantity
1	Z587 090.220.02	Welded back sheet	1
2	Z587 090.400.01	Weld stop	2
3	Z587 090.062.00	Cutter	1
4	Z587 090.053.03	Knife bracket	1
5	Z587 090.019.00	Rear short slide	1
6	Z587 090.018.00	Short slide	1
7	Z587 090.017.00	Rear long slide	1
8	Z587 090.016.00	Long slide	1
9	Z587 090.007.01	Twine guide	1
10	Z587 090.006.00	Guide plate	1
11	Z587 090.012.00	Spacer bushing	2
12	23NS8OC	Self-locking nut M8 galv., 82175 8 82175 8	8
13	23NS6OC	Self-locking nut M6 galv., 82175 8 82175 8	9
14	23P10 82005	Round washer 10 galv., 82005 82005	1
15	23NS10OC	Self-locking nut M10 galv., 82175 8 82175 8	1
16	23P8OOC	Round washer 8 galv., 82005 82005	8
17	23S6/16 8.8OC	Bolt 6 x 16 galv., 8.8 82105 82105 8.8	2
18	23S6/20	Bolt 6 x 20 galv., 8.8 82105 82105 8.8	2
19	23S8/16 8.8 82105 OC	Bolt 8 x 16 galv., 8.8 82105 82105	6
20	23S8/80 8.8	Screw 8 x 80 galv., 8.8 82101 82101	2

No.	Index	Part or assembly name	Quantity
21	23S10/30 8.8	Bolt 10 x 30 black, 8.8 82105 82105	1
22	23SI6/40 10.9	Allen bolt 6 x 40 galv., 10.9 82302 82302 10.9	5
23	23N10OC	Nut M10 galv., 82144 5 82144 5	2

30. NET WRAPPER – BODY

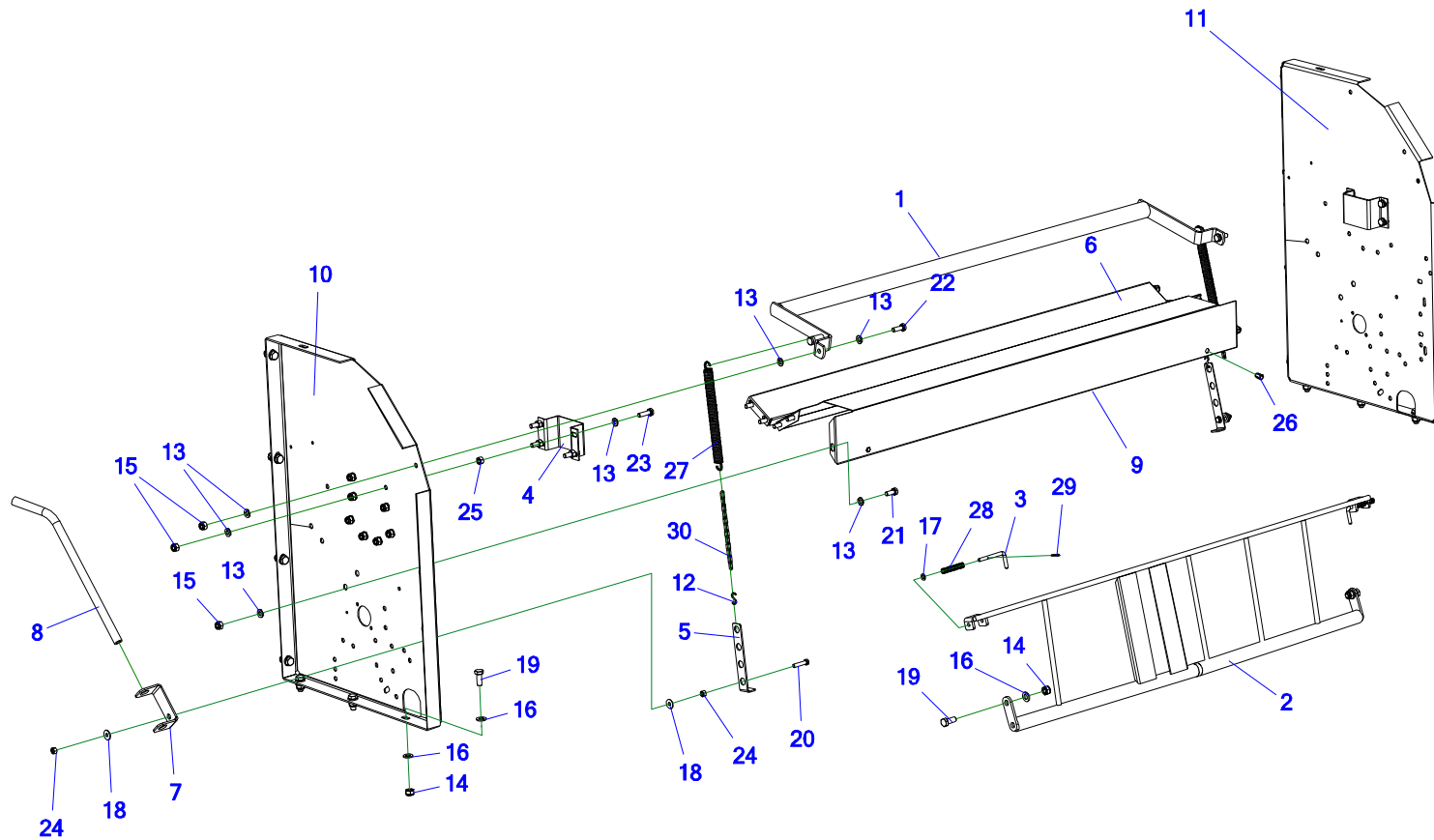


Table 30. Net wrapper – body

No.	Index	Part or assembly name	Quantity
1	Z587 110.270.00	Net brake	1
2	Z587 110.210.00	Distribution frame	1
3	Z587 110.063.00	Cotter pin	2
4	Z587 110.060.00	Stop plate	2
5	Z587 110.059.00	Spring adjuster plate	2
6	Z587 110.057.00	Guard	1
7	Z587 110.049.00	Fixture	1
8	Z587 110.011.00	Locking tube	1
9	Z587 110.009.01	Grid trough	1
10	Z587 110.002.04	Grid side right	1
11	Z587 110.001.04	Grid side left	1
12	POD-LAN-000090	Complementary chain link "S" 3 mm	2
13	23P10 82005	Round washer 10 galv., 82005 82005	42
14	23NS12OC	Self-locking nut M12 galv., 82175 8 82175 8	16
15	23NS10OC	Self-locking nut M10 galv., 82175 8 82175 8	20
16	23P12OC	Round washer 12 galv., 82005	30
17	23P8OOC	Round washer 8 galv., 82005 82005	2
18	23P8OC 82030	Round washer 8 galv., coated 82030	4
19	23S12/30OC 8.8	Bolt 12 x 30 galv., 8.8 82105 82105	16
20	23S8/40OC 8.8	Screw 8 x 40 galv., 8.8 82105 82105	2

No.	Index	Part or assembly name	Quantity
21	23S10/25OC 8.8	Bolt 10 x 25 galv.. 8.8 82105 82105	10
22	23S10/30OC 8.8	Bolt 10 x 30 galv., 8.8 82105 82105	2
23	23S10/35OC 8.8	Bolt 10 x 35 galv., 8.8 82105 82105	8
24	23N8OC	Nut M8 galv., 82144 82144 5 82144	4
25	23N10OC	Nut M10 galv., 82144 5 82144 5	8
26	POD-ELZ-000558	Blind rivet nut M8 steel Hexagonal	2
27	POD-SPR-000064	Tension spring 3.5/22.5/208/67 galv., (maz-6529) (FE-1813934)	2
28	POD-SPR-000057	Compression spring 1/12/68.5/15 galv., (maz-6526)	2
29	23Z3.2 25 GALV.	Cotter pin 3.2 x 25 galv.	2
30	POD-LAN-000094	Chain 3 mm (FE)	2

31. NET WRAPPER – FEEDING UNIT

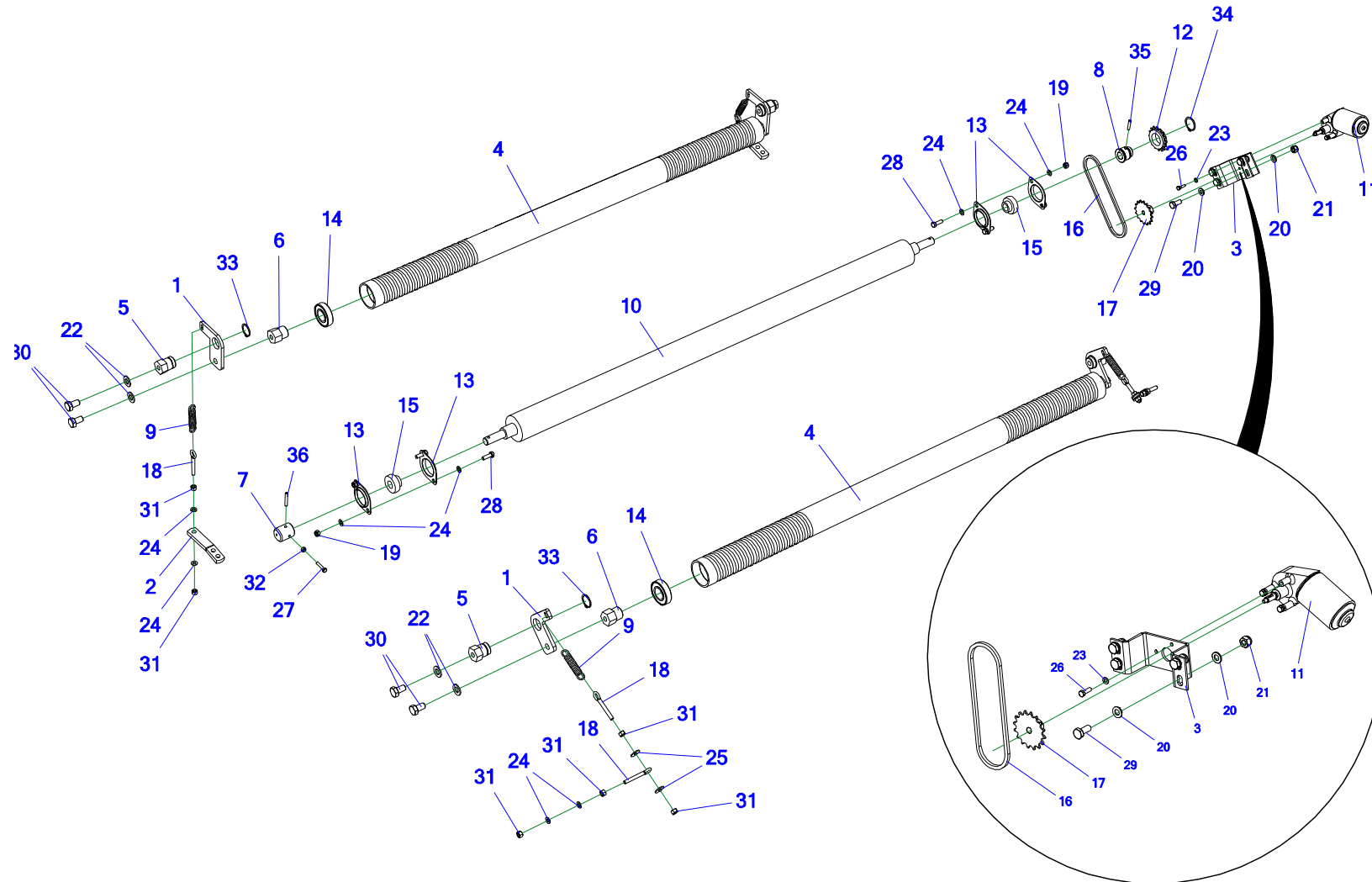


Table 31. Net wrapper – feeding unit

No.	Index	Part or assembly name	Quantity
1	Z587 110.062.00	Steel plate I	4
2	Z587 110.054.00	Flat bar	2
3	Z587 110.048.00	Engine support	1
4	Z587 110.046.00	Distribution pipe	2
5	Z587 110.045.00	Bearing pivot	4
6	Z587 110.044.00	Bearing pivot	4
7	Z587 110.010.00	Bushing	1
8	Z587 110.008.00	Hub	1
9	POD-SPR-000061	Spring maz-6532 galv., (1800024)-feraboli	4
10	POD-OGL-000415	Rubber roller	1
11	POD-OGL-000413	Electric motor	1
12	POD-OGL-000411	Freewheel Z16	1
13	POD-LOZ-000333	Housing P204 PF47 for two holes	4
14	POD-LOZ-000169	Bearing 6206 2RS (Fe)	4
15	POD-LOZ-000154	Bearing SB 204 (Fe)	2
16	POD-LAN-000069	Chain 1/2 x 1/8 40 links (Fe)	1
17	POD-EOS-000339	Sprocket Z=16 1/2"-1/8" Z587 34P0039	1
18	POD-ELZ-000547	Eye bolt 8 x 60, DIN444 B galv.	6
19	23NS8OC	Self-locking nut M8 galv., 82175 8 82175 8	4
20	23P10 82005	Round washer 10 galv., 82005 82005	8

No.	Index	Part or assembly name	Quantity
21	23NS10OC	Self-locking nut M10 galv., 82175 8 82175 8	4
22	23P14OC	Round washer 14 galv., 82005 82005	8
23	23P6OOC	Round washer 6 galv., 82005 82005	3
24	23P8OOC	Round washer 8 galv., 82005 82005	16
25	23P8OC 82030	Round washer 8 galv., coated 82030	4
26	23S6/20	Bolt 6 x 20 galv., 8.8 82105 82105 8.8	3
27	23S6/30/8.8 82105 GALV.	Screw 6 x 30 galv., 8.8 82105 82105	1
28	23S8/25OC8.8	Bolt 8 x 25 galv., 8.8 82105 82105	4
29	23S10/25OC 8.8	Bolt 10 x 25 galv., 8.8 82105 82105	4
30	POD-ELZ-000523	Bolt 14 x 25 galv., 8.8 82105	8
31	23N8OC	Nut M8 galv., 82144 82144 5 82144	12
32	23N6OC	Nut M6 galv., 82144 5 82144 5	1
33	23SZ30	Circlip, Z30	4
34	23SZ35	Circlip Z35	1
35	23K6/30	Resilient stud 6 x 30 DIN 1481	1
36	23K6/40	Resilient stud 6 x 40 DIN 1481	1

32. NET WRAPPER – CUTTING UNIT PART 1

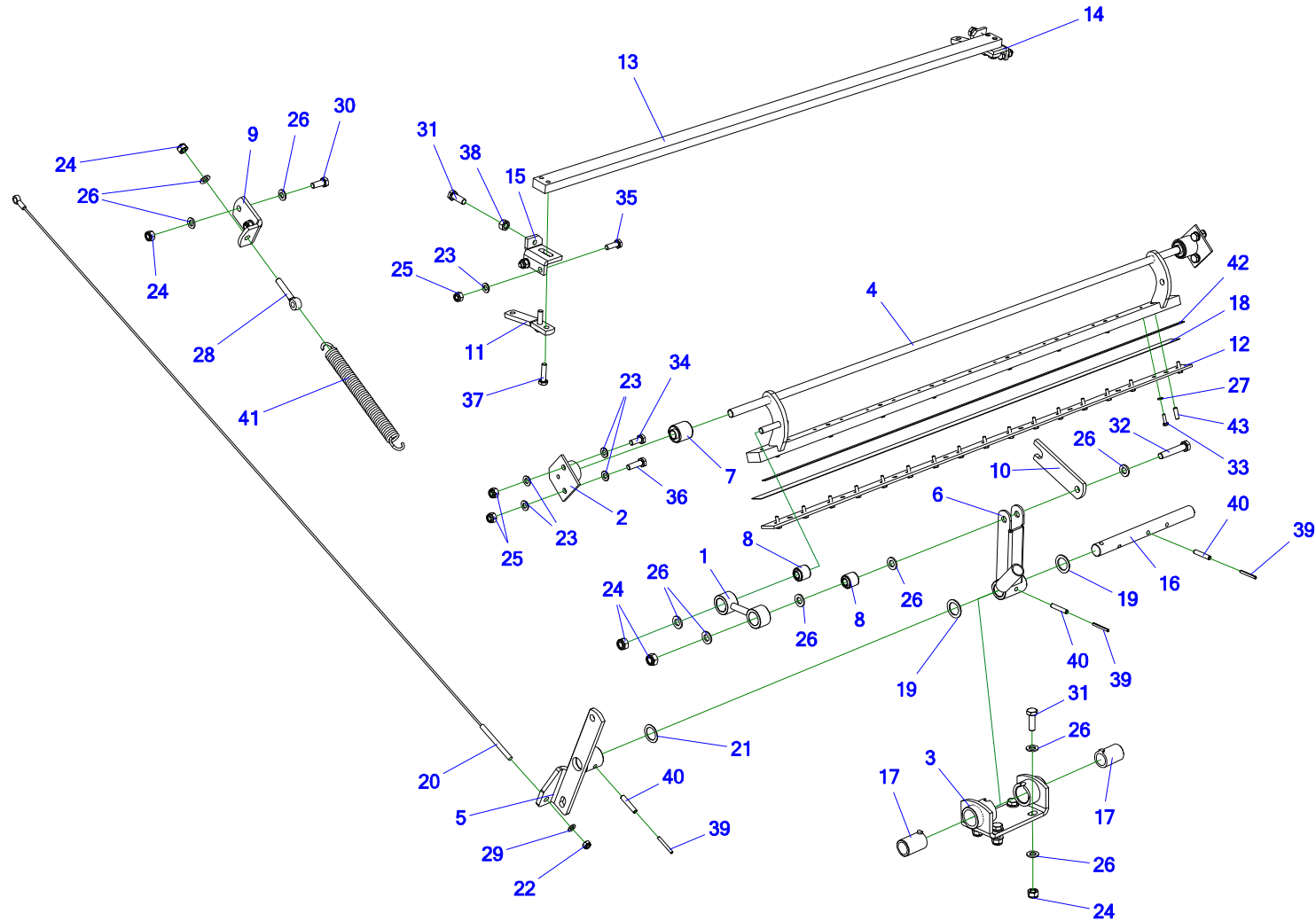


Table 32. Net wrapper – cutting unit part 1

No.	Index	Part or assembly name	Quantity
1	Z587 110.260.00	Connecting rod	1
2	Z587 110.240.00	Silent-block support	2
3	Z587 110.220.00	Lever attachment bracket	1
4	Z587 110.006.00	Knife frame	1
5	Z587 110.005.00	Knife arm	1
6	Z587 110.003.00	Knife frame holder	1
7	POD-OGL-000458	Silent-block 16 x 36 x 43	2
8	POD-OGL-000457	Metal-rubber bushing 12 x 26 x 26	2
9	Z587 110.061.00	Spring mounting	1
10	Z587 110.058.00	Lock	1
11	Z587 110.054.00	Flat bar	2
12	Z587 110.053.01	Plate II of the knife frame	1
13	Z587 110.052.00	Counter blade	1
14	Z587 110.051.00	Left-side support	1
15	Z587 110.050.00	Right-side support	1
16	Z587 110.007.00	Mesh roller	1
17	POD-TSZ-000094	Bushing I Z587 110.065.00	2
18	POD-EOS-000366	Cutter	1
19	Z587 000.014.00	Round washer 25.5 x 37 x 2	2
20	POD-OGL-000412	Coated steel cable length 1650 mm, ZM 165	1
21	POD-ELZ-000720	Spacer 25 x 35 x 1 56805036010120	1

No.	Index	Part or assembly name	Quantity
22	23NS8OC	Self-locking nut M8 galv., 82175 8 82175 8	1
23	23P10 82005	Round washer 10 galv., 82005 82005	12
24	23NS12OC	Self-locking nut M12 galv., 82175 8 82175 8	9
25	23NS10OC	Self-locking nut M10 galv., 82175 8 82175 8	8
26	23P12OC	Round washer 12 galv., 82005	18
27	23P6OOC	Round washer 6 galv., 82005 82005	17
28	POD-ELZ-000546	Eye bolt 12 x 70 DIN444 LB galv.	1
29	23P8OOC	Round washer 8 galv., 82005 82005	1
30	23S12/30OC 8.8	Bolt 12 x 30 galv., 8.8 82105 82105	2
31	23S12/35OC 8.8	Bolt 12 x 35 galv., 8.8 82105 82105	6
32	23S12/70OC 8.8	Bolt 12 x 70 galv., 8.8 82101 82101	1
33	23S6/20	Bolt 6 x 20 galv., 8.8 82105 82105 8.8	17
34	23S10/25OC 8.8	Bolt 10 x 25 galv., 8.8 82105 82105	3
35	23S10/30OC 8.8	Bolt 10 x 30 galv., 8.8 82105 82105	4
36	23S10/35OC 8.8	Bolt 10 x 35 galv., 8.8 82105 82105	1
37	POD-ELZ-000045-1	Bolt 10 x 40 galv., 8.8 82101	4
38	23N12OC	Nut M12 galv., 82144 5	2
39	POD-ELZ-000354	Resilient stud 5 x 40 DIN 1481	3
40	POD-ELZ-000540	Resilient stud 8 x 40 DIN 1481	3
41	POD-SPR-000063	Tension spring 5/29/295/49.5 galv., (maz-6528) (FE-1822744)	1
42	Z587 110.066.00	Steel plate	1
43	23K8/25	Resilient stud 8 x 25 DIN 1481	8

33. NET WRAPPER – CUTTING UNIT PART 2

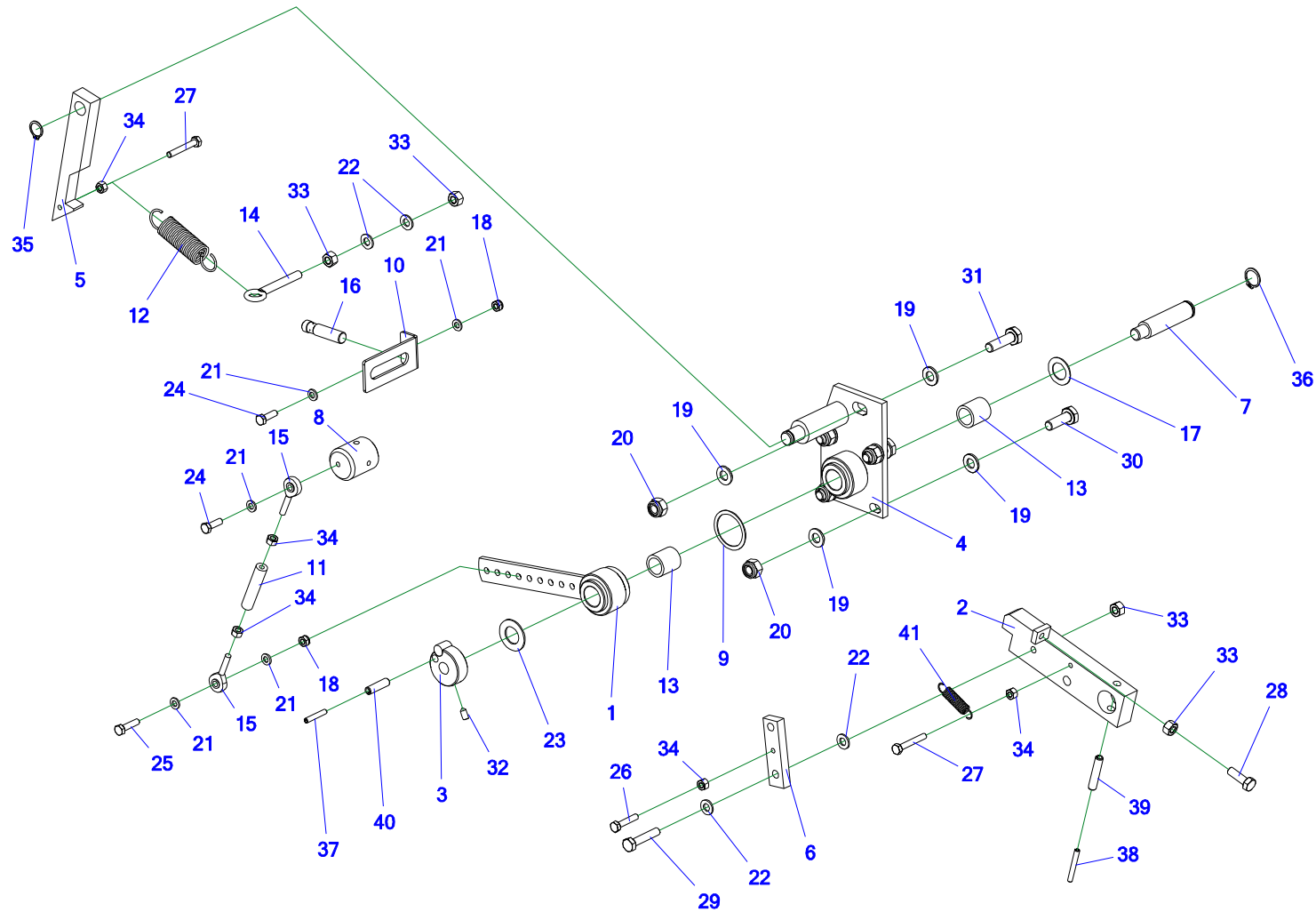
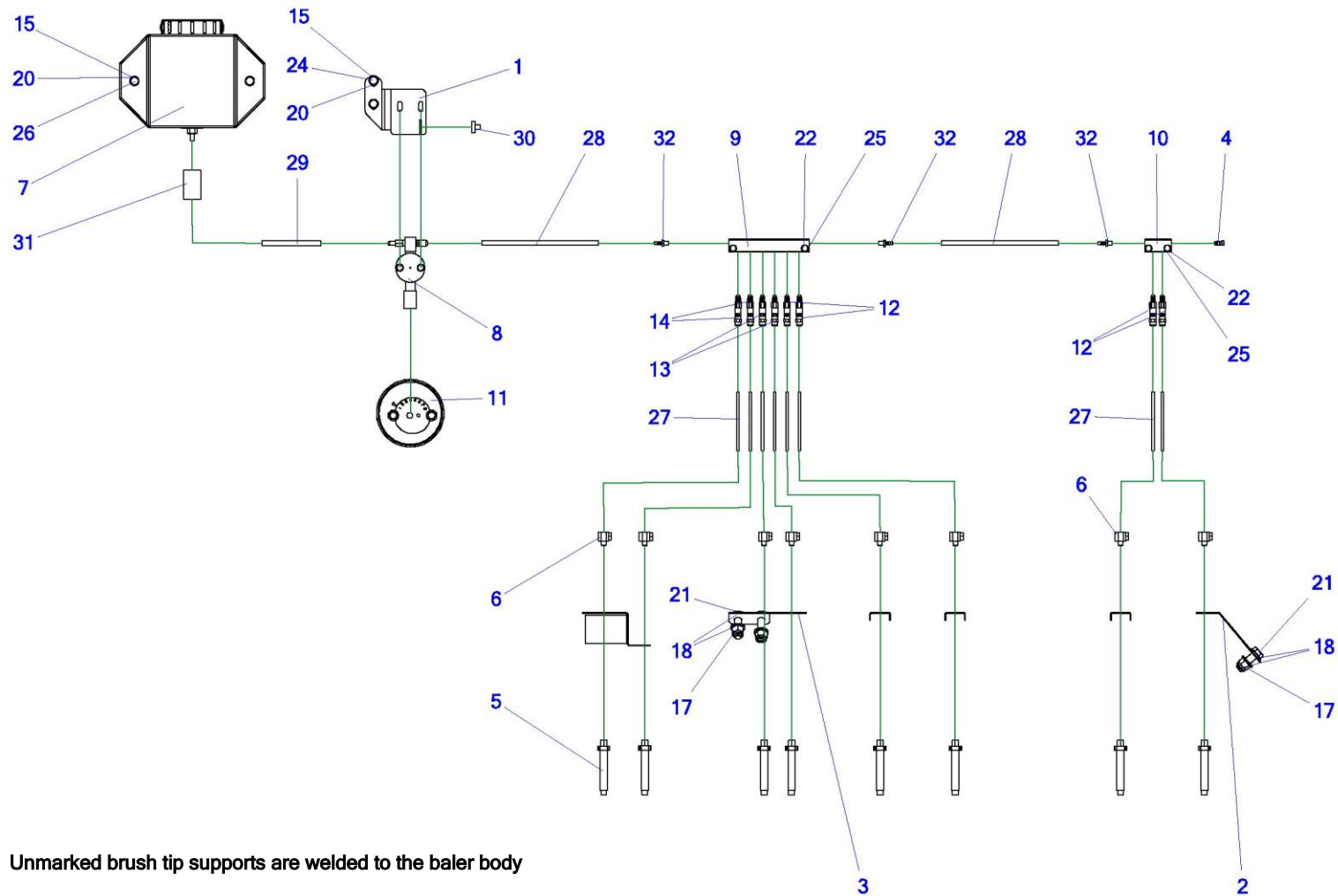


Table 33. Net wrapper – cutting unit part 2

No.	Index	Part or assembly name	Quantity
1	Z587 110.280.00	Adjuster arm	1
2	Z587 110.250.00	Ratchet	1
3	Z587 110.230.00	Cam	1
4	Z587 110.004.00	Bracket	1
5	Z587 110.056.00	Hitch	1
6	Z587 110.055.00	Flat bar	1
7	Z587 110.047.00	Pin	1
8	Z587 110.010.00	Bushing	1
9	Z587 000.011.00	Washer 35 3 x 43 x 1	1
10	Z587 000.001.00	Sensor support	1
11	Z587 110.067.00	Rod	1
12	POD-SPR-000060	Spring Maz-6531 galv., (1800025)-feraboli	1
13	POD-LOZ-000141	Bearing HFL 1826 (Fe)	2
14	POD-ELZ-000547	Eye bolt 8 x 60, DIN444 B galv.	1
15	POD-ELZ-000545	Ball joint M6-DX	2
16	POD-ELK-000347	Inductive sensor BI4M12-AP6X-H1141	1
17	POD-ELZ-000556	Spacer 18.5 30 1	1
18	23NS6OC	Self-locking nut M6 galv., 82175 8 82175 8	2
19	23P10 82005	Round washer 10 galv., 82005 82005	10
20	23NS10OC	Self-locking nut M10 galv., 82175 8 82175 8	5

No.	Index	Part or assembly name	Quantity
21	23P6OOC	Round washer 6 galv., 82005 82005	5
22	23P8OOC	Round washer 8 galv., 82005 82005	4
23	POD-ELZ-000559	Corrugated washer 18 DIN 137B	1
24	23S6/20	Bolt 6 x 20 galv., 8.8 82105 82105 8.8	2
25	23S6/25OC 105	Bolt 6 x 25 galv., 8.8 82105	1
26	23S6/30/8.8 82105 GALV.	Screw 6 x 30 galv., 8.8 82105 82105	1
27	23S6/40OC.	Bolt 6 x 40 galv., 8.8 82105 82105 8.8	2
28	23S8/25OC8.8	Bolt 8 x 25 galv., 8.8 82105 82105	1
29	23S8/40OC 8.8	Screw 8 x 40 galv., 8.8 82105 82105	1
30	23S10/30OC 8.8	Bolt 10 x 30 galv., 8.8 82105 82105	4
31	23S10/35OC 8.8	Bolt 10 x 35 galv., 8.8 82105 82105	1
32	POD-ELZ-000534	Set screw 6 x 12 galv., x 12.9	1
33	23N8OC	Nut M8 galv., 82144 82144 5 82144	4
34	23N6OC	Nut M6 galv., 82144 5 82144 5	5
35	23SZ14	Circlip Z15	1
36	23SZ18	Circlip Z18	1
37	POD-ELZ-000344	Resilient stud 5 x 30 DIN 1481	1
38	POD-ELZ-000354	Resilient stud 5 x 40 DIN 1481	1
39	POD-ELZ-000540	Resilient stud 8 x 40 DIN 1481	1
40	POD-ELZ-000539	Resilient stud 8 x 30 DIN 1481	1
41	POD-SPR-000059	Tension spring 1/10/51/29 galv., (maz-6530) (FE-1800026)	1

34. CENTRAL CHAIN LUBRICATION SYSTEM



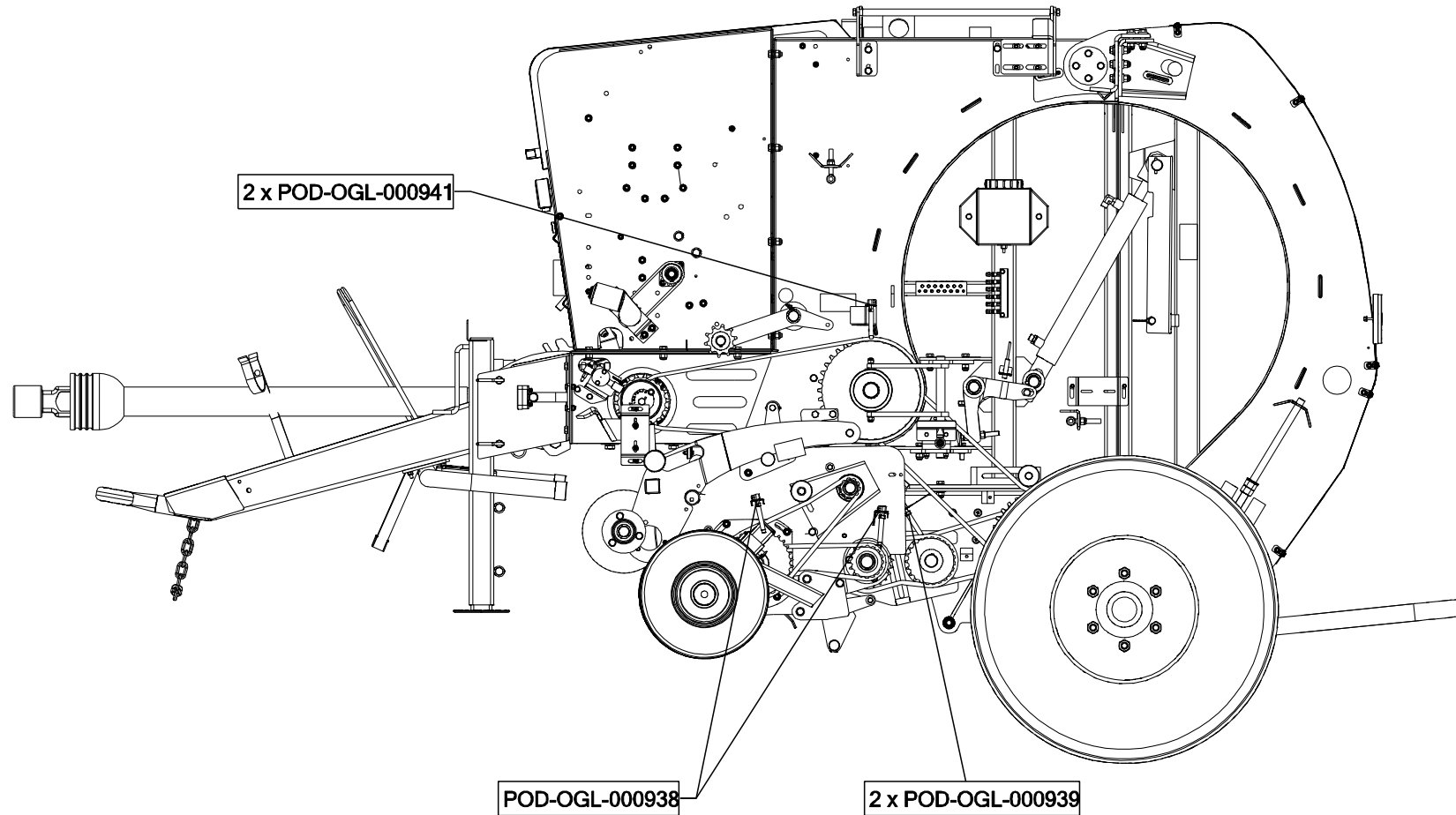
Unmarked brush tip supports are welded to the baler body

Table 34. Central chain lubrication

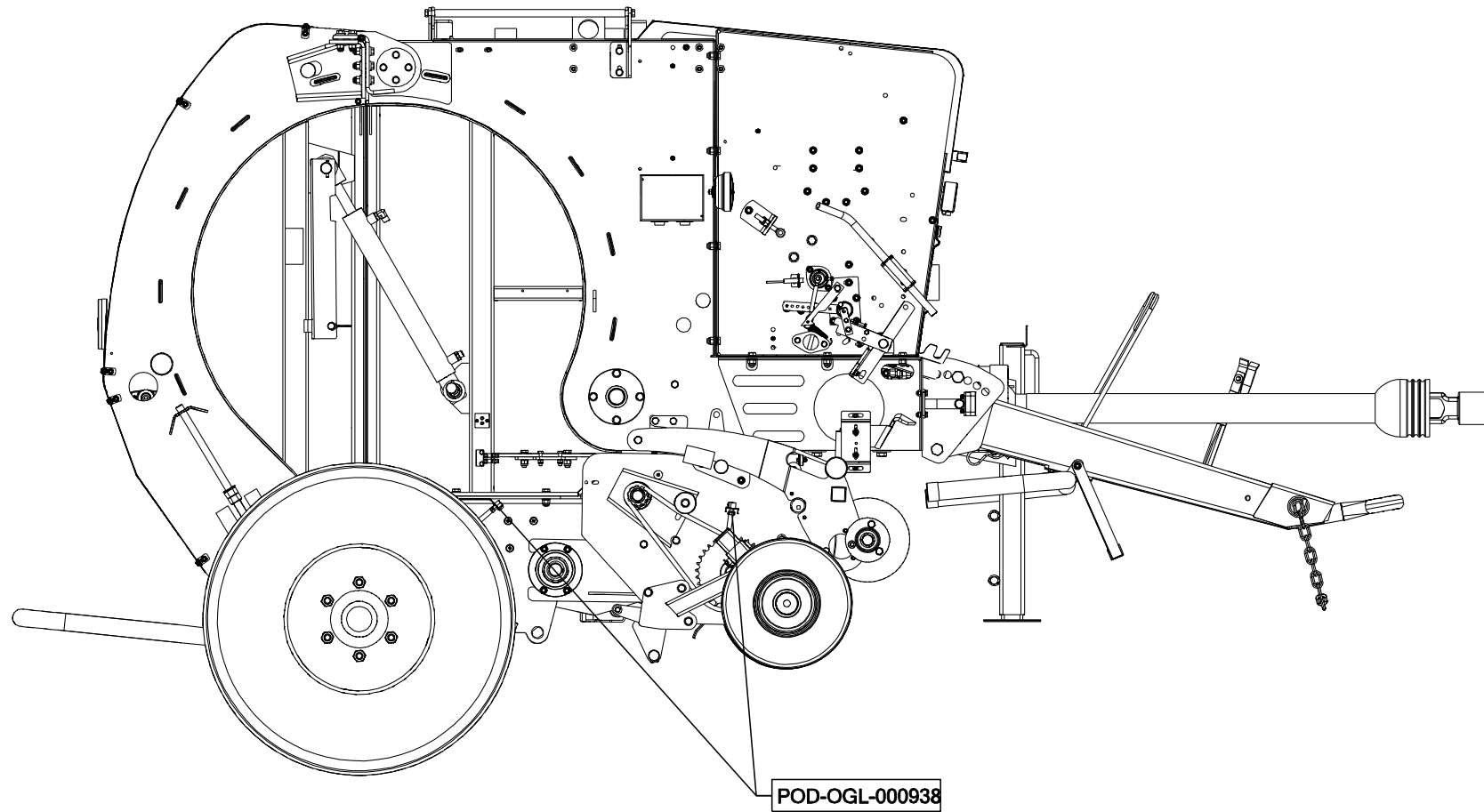
No.	Index	Part or assembly name	Quantity
1	Z587 070.510.00	CS pump bracket welded	1
2	Z587 070.008.00	Bracket c.s. IV	1
3	Z587 070.007.00	Bracket c.s. II	1
4	POD-OGL-000228	Central lubrication nipple Z-562 blank 5/16 B516	1
5	24KP1	Central lubrication nipple Z-562 brush tip vol. ABR516	8
6	POD-OGL-000016-1	Central lubrication nipple Z-562 angular connector EQU516	8
7	POD-OGL-000004-1	Central lubrication nipple Z-562 central lubrication reservoir part No. 1	1
8	POD-OGL-000005-1	Central lubrication nipple Z-562 pump for central lubrication part No. 3	1
9	POD-OGL-000007-1	Central lubrication nipple Z-562 distributor for central lubrication part No. 7	1
10	POD-OGL-001028	Central lubrication nipple Z-587 2-way distributor for central lubrication	1
11	POD-OGL-000006-1	Central lubrication nipple Z-562 disc for central lubrication part No. 4	1
12	POD-OGL-000938	Central lubrication nipple Z-562 dosing tip SMU3 (nt)	4
13	POD-OGL-000939	Central lubrication nipple Z-562 dosing tip SMU4 (nt)	2
14	POD-OGL-000941	Central lubrication nipple Z-562 dosing tip SMU6 (nt)	2
15	23NS8OC	Self-locking nut M8 galv., 82175 8 82175 8	4
16	23NS6OC	Self-locking nut M6 galv., 82175 8 82175 8	2
17	23NS12OC	Self-locking nut M12 galv., 82175 8 82175 8	4
18	23P12OC	Round washer 12 galv., 82005	8
19	23P6OOC	Round washer 6 galv., 82005 82005	4
20	23P8OOC	Round washer 8 galv., 82005 82005	8

No.	Index	Part or assembly name	Quantity
21	23S12/40OC	Bolt 12 x 40 galv., 8.8 82101 82101	4
22	POD-ELZ-000525	Bolt 6 x 30 galv., 8.8 82101	4
23	23S6/50OC	Bolt 6 x 50 galv., 8.8 82101 82101 8.8	2
24	23S8/25OC8.8	Bolt 8 x 25 galv., 8.8 82105 82105	2
25	23P6SPOC	Spring washer, 6.1 galv., 82008 82008	4
26	23S8/45OC 8.8	Bolt 8 x 45 galv., 8.8 82105 82105	2
27	24P4	Central lubrication nipple Plastic conduit dia. 4 x 2 PA6	8
28	POD-UGL-001030	Central lubrication nipple Z-587 cable TBH516	2
29	POD-UGL-001029	Central lubrication nipple Z-587 neoprene cable TNP06	1
30	POD-UGL-000227	Central lubrication nipple Z-562 CDCAP guide	1
31	POD-UGL-000226	Central lubrication nipple Z-562 oil filter FP3320	1
32	POD-UGL-000229	Central lubrication nipple Z-562 Connector F1KR	3

35. CENTRAL CHAIN LUBRICATION SYSTEM – LEFT SIDE



36. CENTRAL CHAIN LUBRICATION SYSTEM – RIGHT SIDE



37. CENTRAL LUBRICATION SYSTEM FOR THE BEARINGS

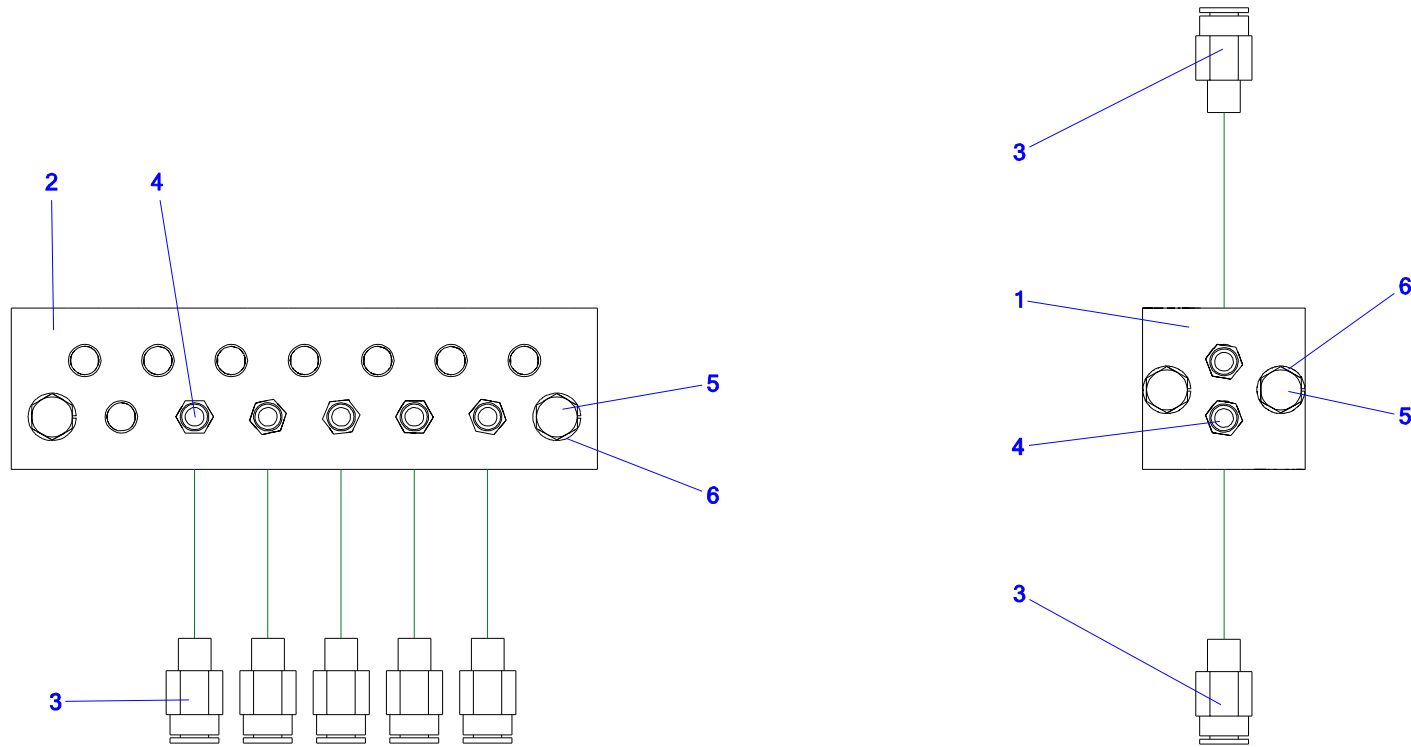


Table 35. Central lubrication system for the bearings

No.	Index	Part or assembly name	Quantity
1	Z587 070.003.00	Strip II	1
2	Z587 070.001.00	Strip	1
3	POD-HYD-000004	Quick-connect coupling GEK-6-M8 x 1 symbol: 226-13752-7	7
4	23SM8	Lubricating nipple M8 x 1.0 straight	7
5	POD-ELZ-000525	Bolt 6 x 30 galv., 8.8 82101	4
6	23P6SPOC	Spring washer, 6.1 galv., 82008 82008	4

38. HYDRAULICS – TAILGATE

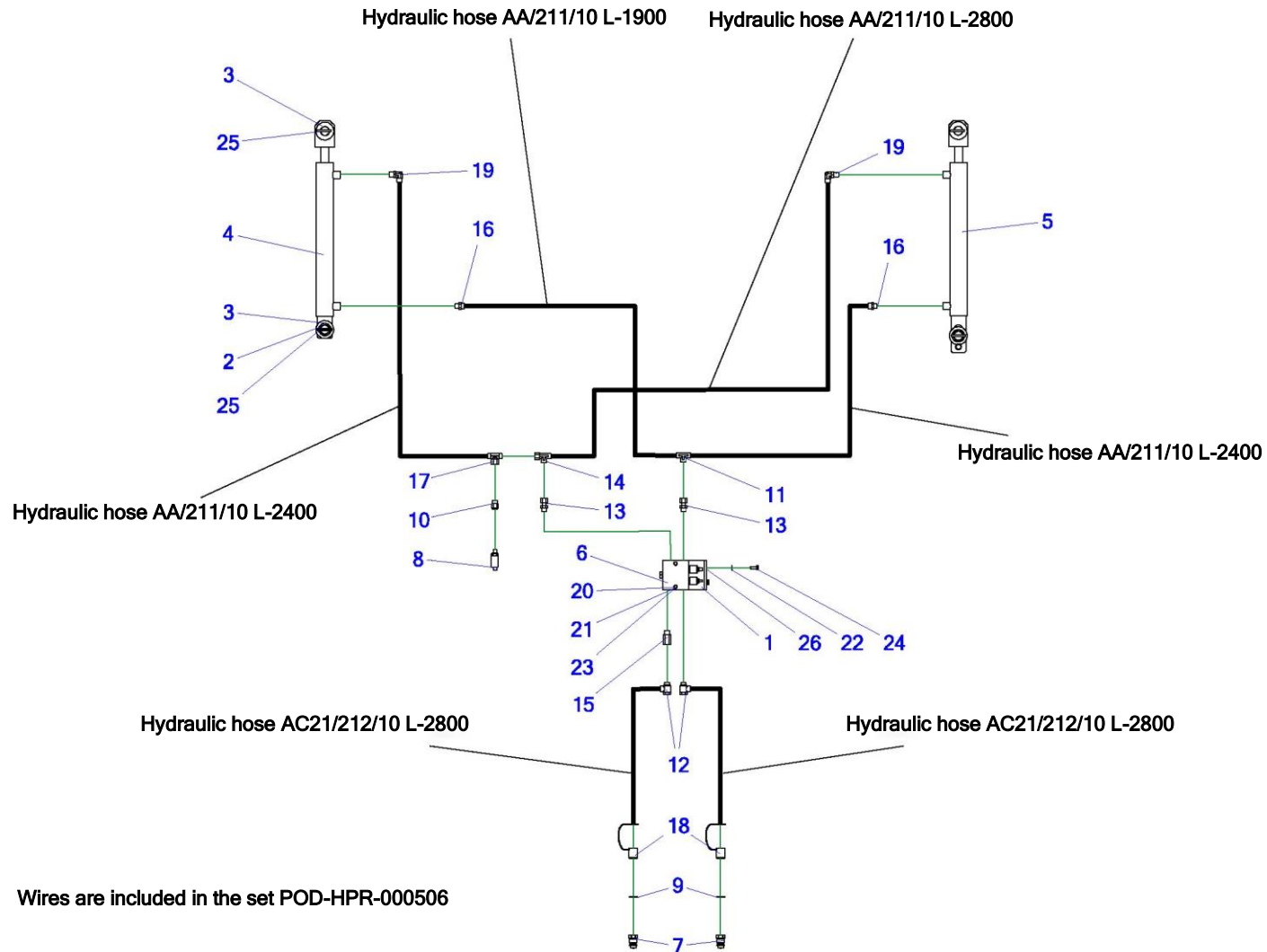


Table 36. Hydraulics – tailgate

No.	Index	Part or assembly name	Quantity
1	Z587 000.003.00	Separator device support	1
2	Z587 050.043.00	Spacer bushing	2
3	Z587 000.009.00	Washer 30 x 61.5 x 3	8
4	POD-HSL-000144	Cylinder UCJ349-50/28/400	1
5	POD-HSL-000143	Cylinder UCJ350-50/28/400	1
6	POD-HZW-000077	Valve ZS-105 – PONAR replacement	1
7	POD-HZW-000053	Valve plug Euro 13 ext. 1/2" (Fe) + cap	2
8	POD-HPZ-000180	Pressure transmitter PT250R-14-LI3-H1131	1
9	POD-HPZ-000044-1	Metal & rubber washer PPM 1/2"	2
10	POD-HKR-000135	Pressure gauge connection 1/4"-.M18 x 1.5 out L-30	1
11	POD-HKR-000124	T-connector 18 x 18 x 18 12L (Fe)	1
12	POD-HKR-000112	Banjo coupling 3/8" ext-18 x 1.5 (Fe)	2
13	POD-HKR-000111	Straight connection 3/8" – tube dia 12 (Fe) (AB coupling 3/8EDx18)	2
14	POD-HKR-000110	T-connector 18 x 18 x 18 12L (Fe)	1
15	POD-HKR-000105	Reduction coupling 3/8" ext. to 3/8" ext. L-46 mm (Fe)	1
16	POD-HKR-000078	Straight connector 16 x 1.5-18 x 1.5	2
17	POD-HKR-000002-1	T-connector 18 x 18 x 18-1.5 with a top nut	1
18	24ZWNE13	Cap for EURO valve plug 13 (green, yellow, blue, red)	2
19	24KK3/8 18	Elbow adapter 3/8"-M18 x 1.5 (Fe)	2
20	23NS6OC	Self-locking nut M6 galv., 82175 8 82175 8	2

No.	Index	Part or assembly name	Quantity
21	23P6OOC	Round washer 6 galv., 82005 82005	4
22	23P8OOC	Round washer 8 galv., 82005 82005	2
23	POD-ELZ-000521	Bolt 6 x 55 galv., 8.8 82105	2
24	23S8/20OC 8.8	Bolt 8 x 20 galv., 8.8 82105 82105	2
25	POD-ELZ-000538	Resilient stud 6 x 50 DIN 1481	4
26	POD-ELZ-000558	Blind rivet nut M8 steel Hexagonal	2

39. HYDRAULICS – PICK-UP

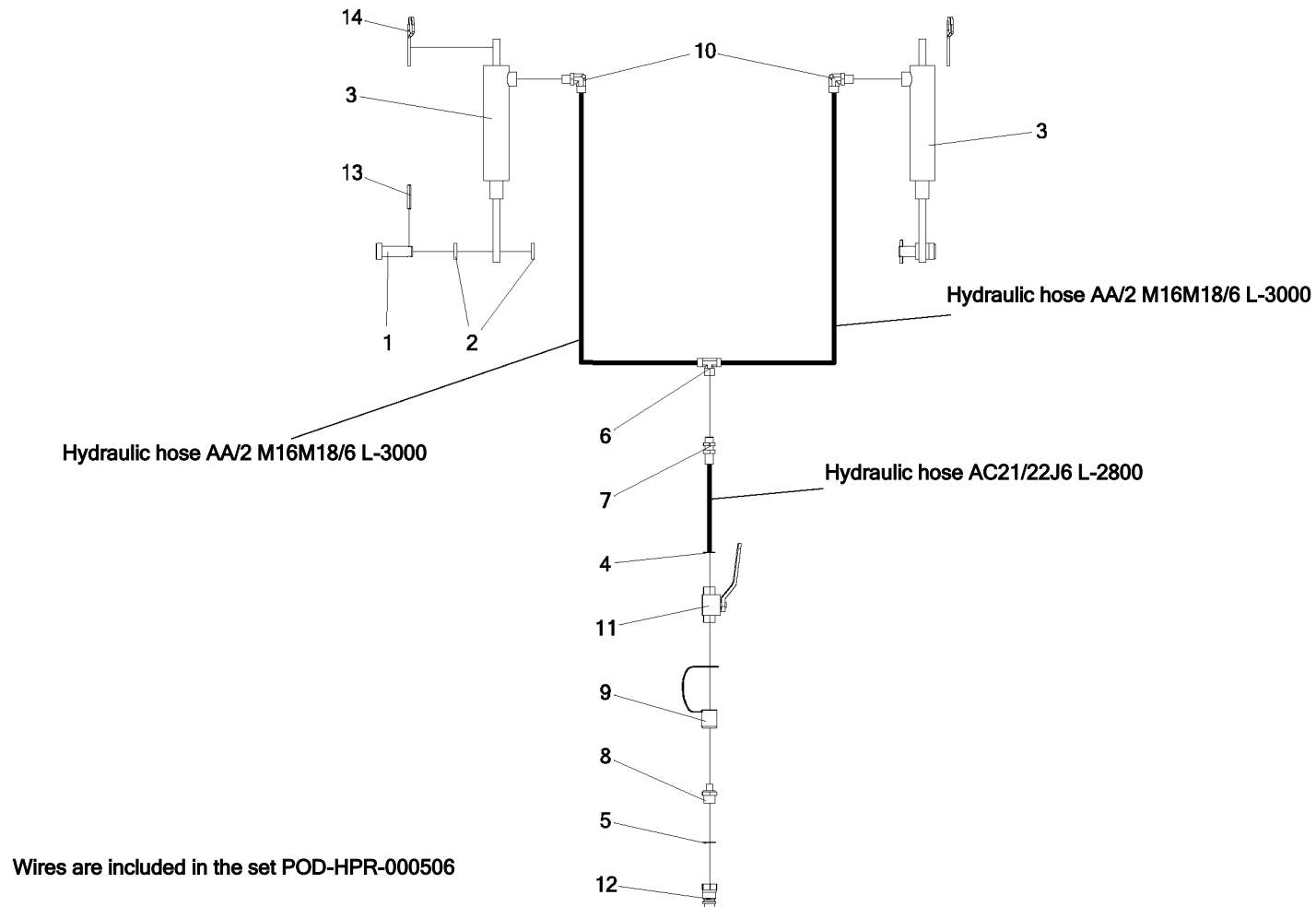


Table 37. Hydraulics – pick-up

No.	Index	Part or assembly name	Quantity
1	Z562 000.000.197	Pin II	2
2	Z562 000.000.022	Distance sleeve II	4
3	24SCN08-18-25-130	Cylinder 25/130	2
4	POD-HPZ-000121	Sealing ring PPM 1/4"	1
5	POD-HPZ-000044-1	sealing ring PPM 1/2"	1
6	POD-HKR-000123	T-connector Top nut 16 x 16 x 16 10L (Fe)	1
7	POD-HKR-000113	Straight bulkhead connector M16 x 1.5 + nut (Fe)	1
8	POD-HKR-000106	Straight connector 1/2"-1/4" (Fe)	1
9	24ZWNE13	Cap for EURO valve plug 13 (green, yellow, blue, red)	1
10	24KK3/8 18	Elbow adapter 3/8"-M18 x 1.5 (Fe)	2
11	POD-HZW-000052	Ball valve RS2 1/4" (Fe)	1
12	POD-HZW-000053	Valve plug Euro 13 ext. 1/2" (Fe) + cap	1
13	23K6/45	Resilient stud 6 x 45 DIN 1481	2
14	23ZSP4	Double spring cotter pin 4 mm galv., (letter R chassis)	2

40. ELECTRICAL INSTALLATION

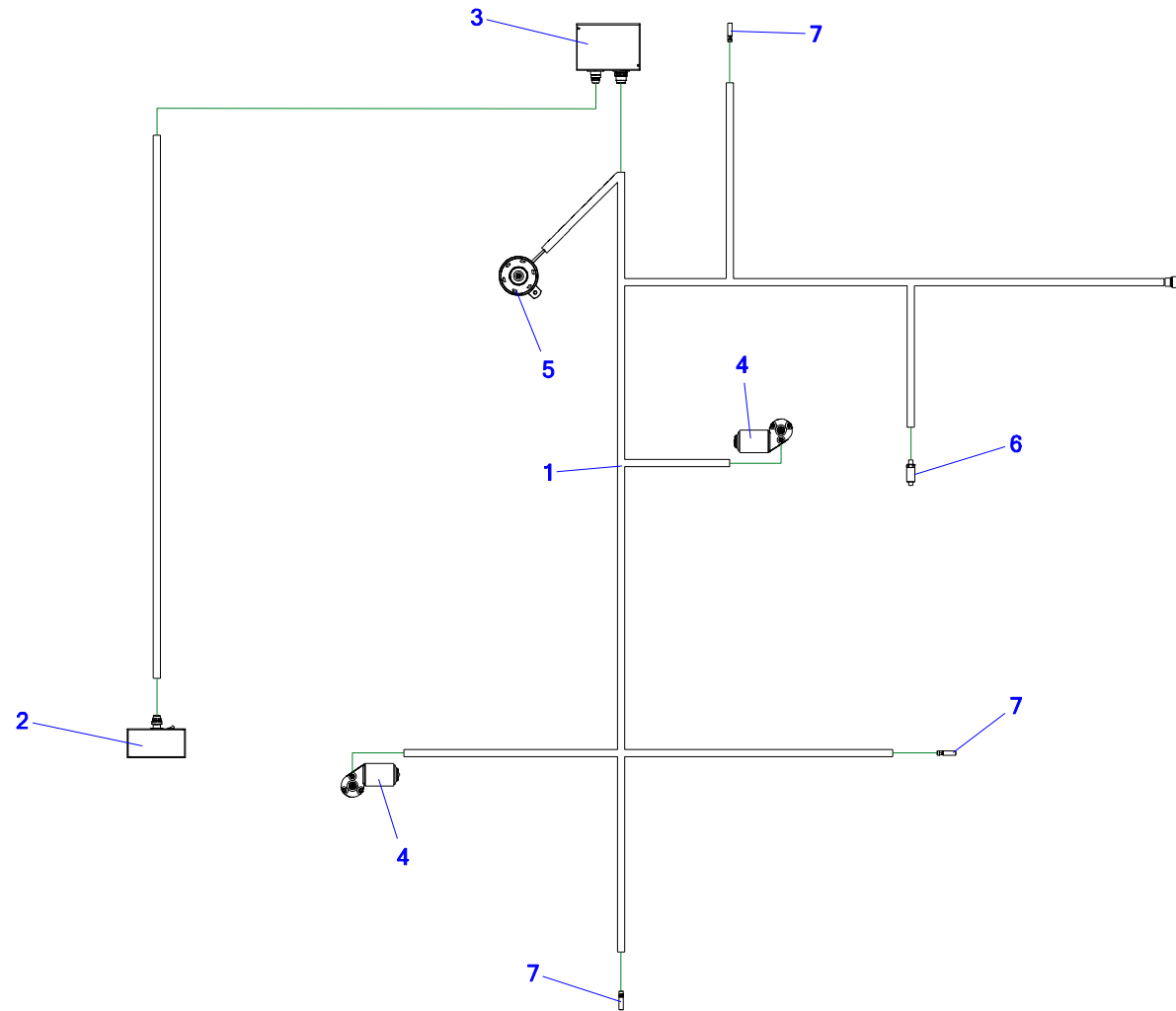


Table 38. Electrical system

No.	Index	Part or assembly name	Quantity
1	POD-ELK-000296	Z587-MF chain baler electrical harness – control	1
2	POD-ELK-000401	Baler controller counter Z587-00 V2.0	1
3	POD-ELK-000400	Baler controller module counter Z587-00 V2.0	1
4	POD-OGL-000413	Electric motor	2
5	26SD	Audible signal	1
6	POD-HPZ-000180	Pressure transmitter PT250R-14-LI3-H1131	1
7	POD-ELK-000347	Inductive sensor BI4M12-AP6X-H1141	3

41. LIGHTS

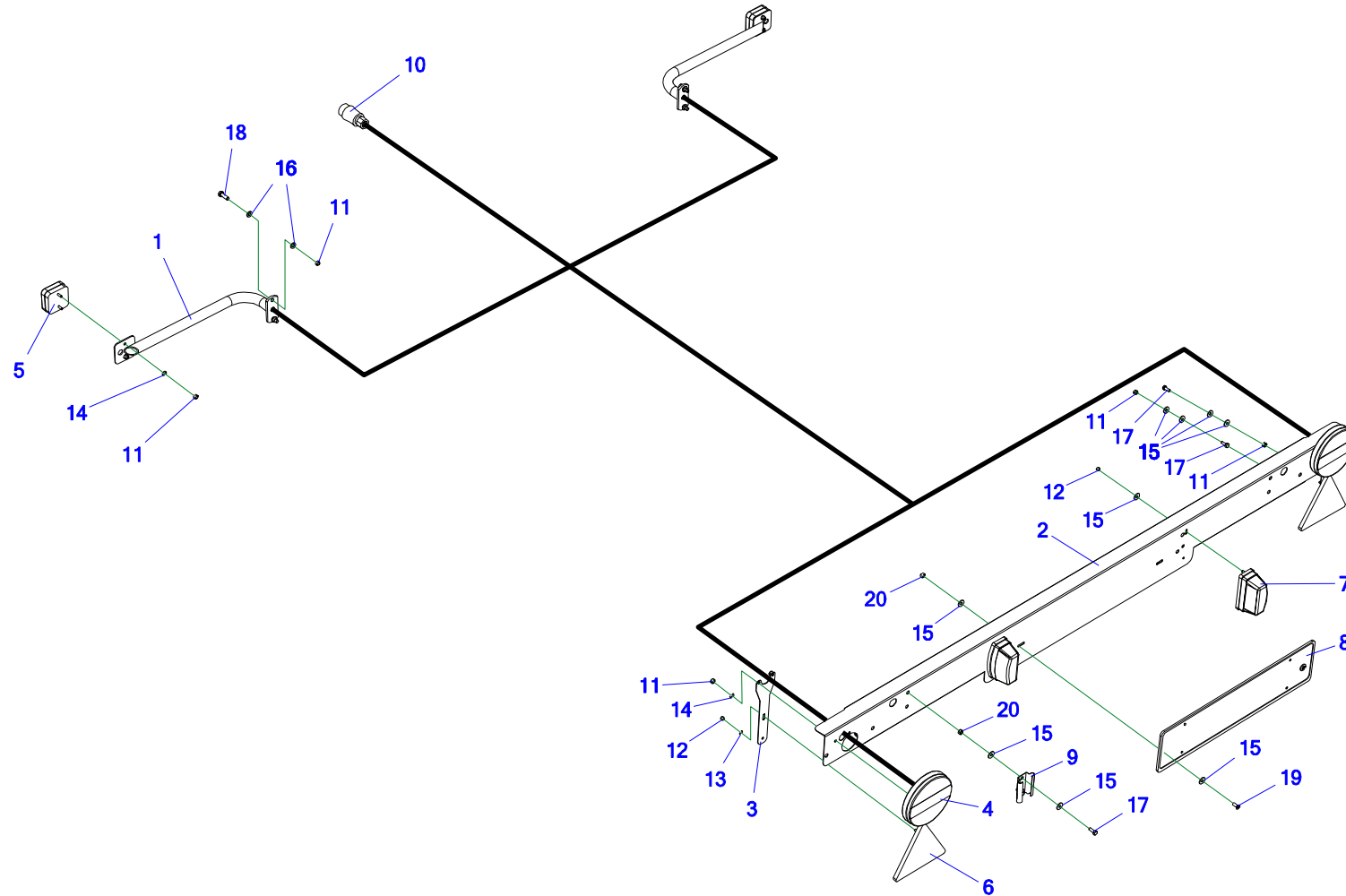


Table 39. Lighting

No.	Index	Part or assembly name	Quantity
1	Z587 130.210.00	Headlight bracket	2
2	Z587 100.084.00	License plate panel	1
3	Z587 100.096.00	Lights bracket	2
4	POD-ELK-000308	Rear combination light W95 (744) with 200 cm YLY-S 4 x 0.75 mm cable	2
5	POD-ELK-000011-1	Square clearance lamp with reflector LO 093	2
6	26TO	Reflective triangle	2
7	POD-ELK-000237	WO8-48 light for license plate panel	2
8	POD-UGL-000225	Frame for license plate	1
9	27UM	SMV emblem mount	1
10	POD-ELK-000296	Z587-MF chain baler electrical harness	1
11	23NS6OC	Self-locking nut M6 galv., 82175 8 82175 8	16
12	POD-ELZ-000471	Self-locking nut M5 galv., 82175 8	8
13	23P5,3OC 82005	Round washer, dia. 5.3 galv., 82005 82005	4
14	23P6OOC	Round washer 6 galv., 82005 82005	8
15	23P6OC030	Round washer 6 galv., coated 82030	20
16	23P8OOC	Round washer 8 galv., 82005 82005	8
17	23S6/16 8.8OC	Bolt 6 x 16 galv., 8.8 82105 82105 8.8	6
18	23S8/25OC8.8	Bolt 8 x 25 galv., 8.8 82105 82105	4
19	23W6/16	Screw 6 x 16 galv., 82208	2
20	23N6OC	Nut M6 galv., 82144 5 82144 5	4

42. PLASTIC COVER LEFT

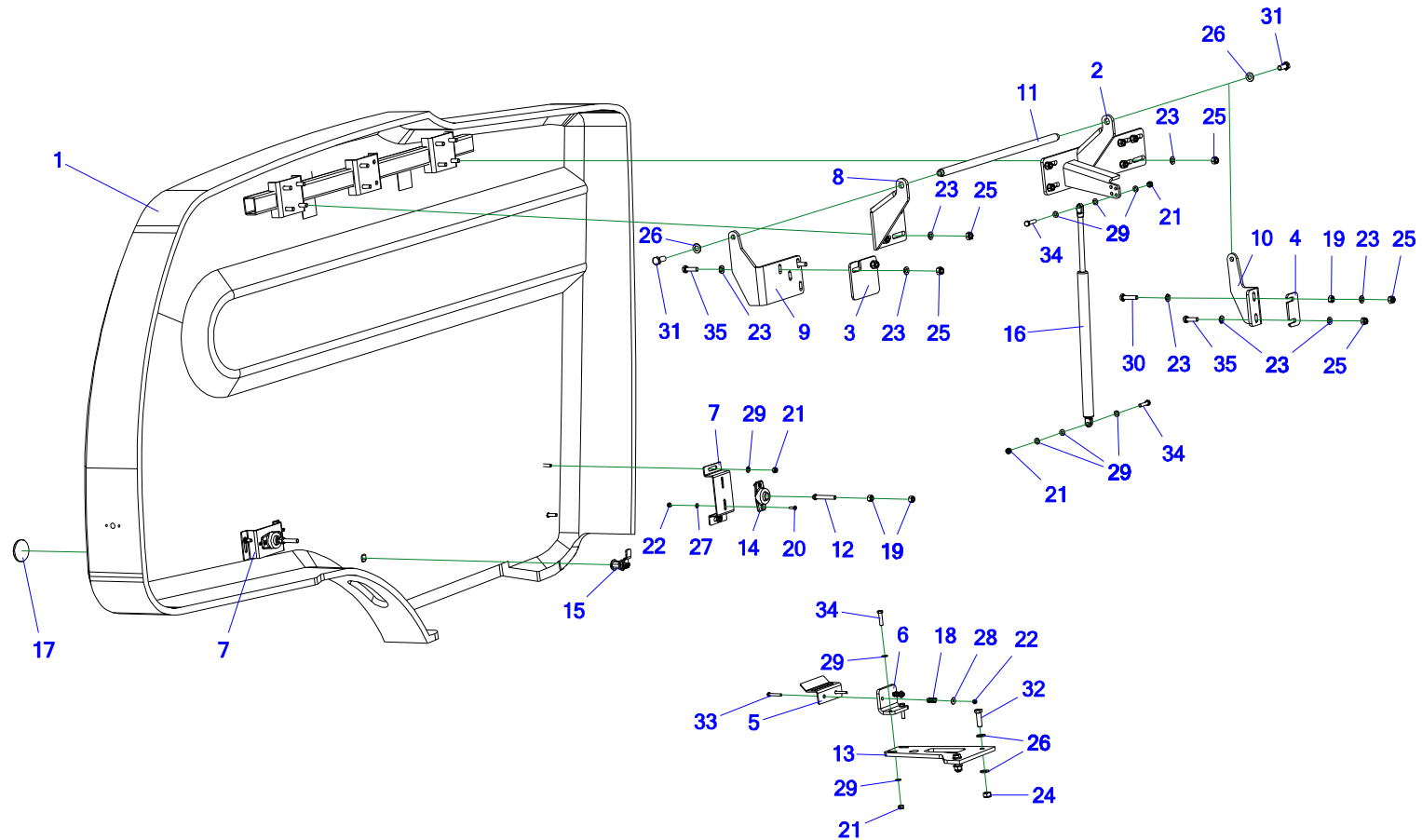


Table 40. Plastic cover left

No.	Index	Part or assembly name	Quantity
1	SUB-TSZ-000174 L	Left shield	1
2	Z587 100.280.01	Hinge I left	1
3	Z587 100.051.00	Washer II	1
4	Z587 100.050.00	Washer I	1
5	Z587 100.048.00	Locking pawl	1
6	Z587 100.047.00	Locking bracket	1
7	Z587 100.046.01	Locating bracket	2
8	Z587 100.044.01	Hinge II, left	1
9	Z587 100.035.01	Support II left	1
10	Z587 100.034.01	Support I left	1
11	Z587 100.033.00	Hinge rod	1
12	Z587 100.038.00	Locking pin	2
13	Z587 050.027.01	Bottom bracket	1
14	POD-OGL-000716	Door stop 25.37814CO and 25.37814BU	2
15	POD-OGL-000715	IP65 cover lock 468358 with key 468505	1
16	POD-OGL-000719	Gas spring 31249	1
17	POD-ELK-000339	Round reflector orange No. 844	2
18	23SS1-15-25	Spring maz-1788	2
19	23N10OC	Nut M10 galv., 82144 5 82144 5	4
20	POD-ELZ-000754	Countersunk screw 6 x 20 galv., 8.8 82208	4

No.	Index	Part or assembly name	Quantity
21	23NS8OC	Self-locking nut M8 galv., 82175 8 82175 8	8
22	23NS6OC	Self-locking nut M6 galv., 82175 8 82175 8	6
23	23P10 82005	Round washer 10 galv., 82005 82005	18
24	23NS12OC	Self-locking nut M12 galv., 82175 8 82175 8	2
25	23NS10OC	Self-locking nut M10 galv., 82175 8 82175 8	14
26	23P12OC	Round washer 12 galv., 82005	6
27	23P6OOC	Round washer 6 galv., 82005 82005	4
28	23P6OC030	Round washer 6 galv., coated 82030	2
29	23P8OOC	Round washer 8 galv., 82005 82005	14
30	23S10/45OC	Bolt 10 x 45 galv., 8.8 82105 82105	1
31	23S12/30OC 8.8	Bolt 12 x 30 galv., 8.8 82105 82105	2
32	POD-ELZ-000421	Bolt 12 x 40 galv., 10.9 82105	2
33	23S6/40OC.	Bolt 6 x 40 galv., 8.8 82105 82105 8.8	2
34	23S8/35OC 8.8	Screw 8 x 35 galv., 8.8 82105 82105	4
35	23S10/35OC 8.8	Bolt 10 x 35 galv., 8.8 82105 82105	3

43. PLASTIC COVER RIGHT

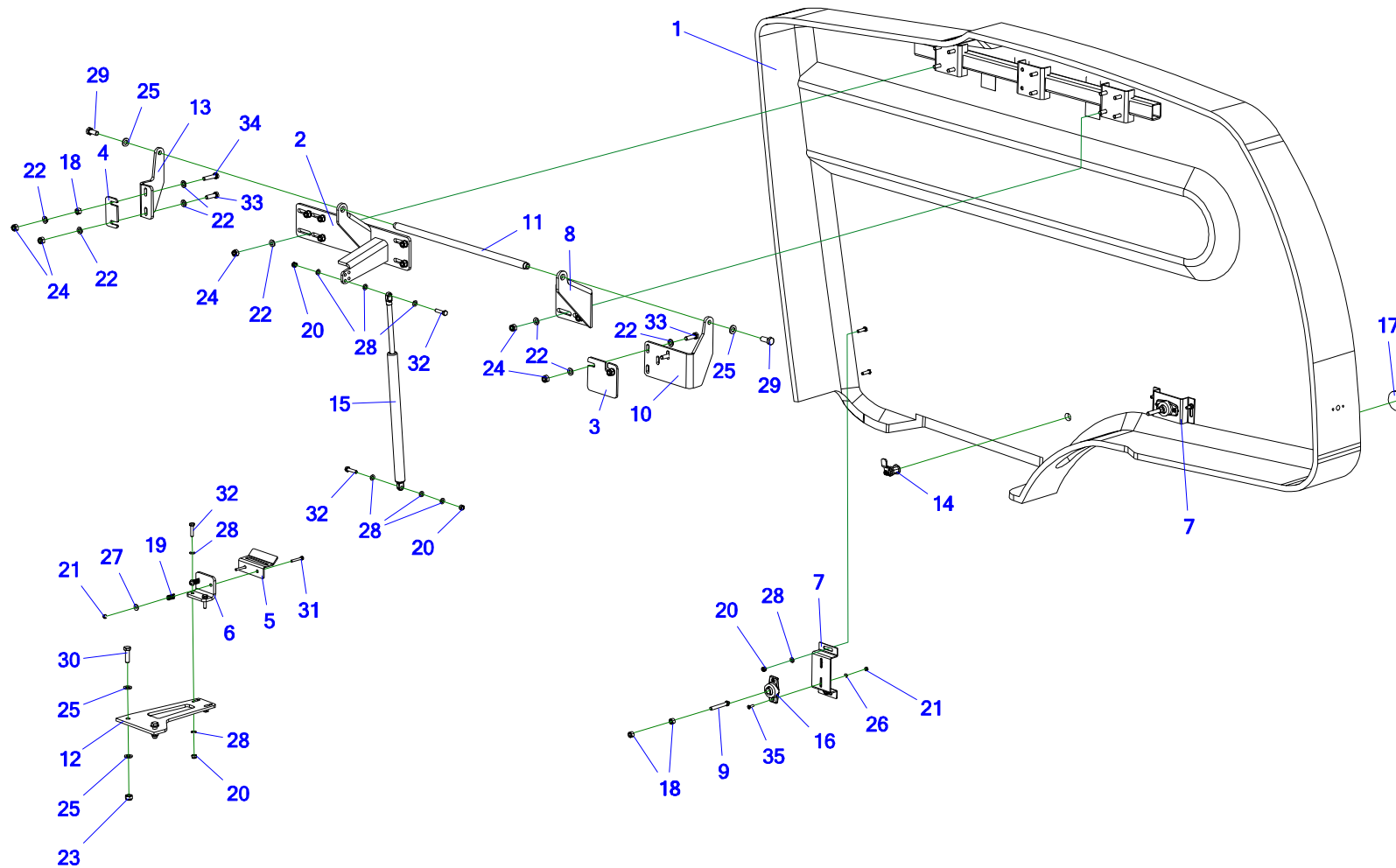


Table 41. Plastic cover right

No.	Index	Part or assembly name	Quantity
1	POD-TSZ-000174 P	Right shield	1
2	Z587 100.290.01	Hinge I right	1
3	Z587 100.051.00	Washer II	1
4	Z587 100.050.00	Washer I	1
5	Z587 100.048.00	Locking pawl	1
6	Z587 100.047.00	Locking bracket	1
7	Z587 100.046.01	Locating bracket	2
8	Z587 100.045.01	Hinge II right	1
9	Z587 100.038.00	Locking pin	2
10	Z587 100.037.01	Support II right	1
11	Z587 100.033.00	Hinge rod	1
12	Z587 050.040.00	Bottom bracket	1
13	Z587 100.036.01	Support I left	1
14	POD-OGL-000715	IP65 cover lock 468358 with key 468505	1
15	POD-OGL-000719	Gas spring 31249	1
16	POD-OGL-000716	Door stop 25.37814CO and 25.37814BU	2
17	POD-ELK-000339	Round reflector orange No. 844	2
18	23N10OC	Nut M10 galv., 82144 5 82144 5	4
19	23SS1-15-25	Spring maz-1788	2
20	23NS8OC	Self-locking nut M8 galv., 82175 8 82175 8	8

No.	Index	Part or assembly name	Quantity
21	23NS6OC	Self-locking nut M6 galv., 82175 8 82175 8	6
22	23P10 82005	Round washer 10 galv., 82005 82005	18
23	23NS12OC	Self-locking nut M12 galv., 82175 8 82175 8	2
24	23NS10OC	Self-locking nut M10 galv., 82175 8 82175 8	14
25	23P12OC	Round washer 12 galv., 82005	6
26	23P6OOC	Round washer 6 galv., 82005 82005	4
27	23P6OC030	Round washer 6 galv., coated 82030	2
28	23P8OOC	Round washer 8 galv., 82005 82005	14
29	23S12/30OC 8.8	Bolt 12 x 30 galv., 8.8 82105 82105	2
30	POD-ELZ-000421	Bolt 12 x 40 galv., 10.9 82105	2
31	23S6/40OC.	Bolt 6 x 40 galv., 8.8 82105 82105 8.8	2
32	23S8/35OC 8.8	Screw 8 x 35 galv., 8.8 82105 82105	4
33	23S10/35OC 8.8	Bolt 10 x 35 galv., 8.8 82105 82105	3
34	23S10/45OC	Bolt 10 x 45 galv., 8.8 82105 82105	1
35	POD-ELZ-000754	Countersunk screw 6 x 20 galv., 8.8 82208	4

44. METAL COVER LEFT PART 1

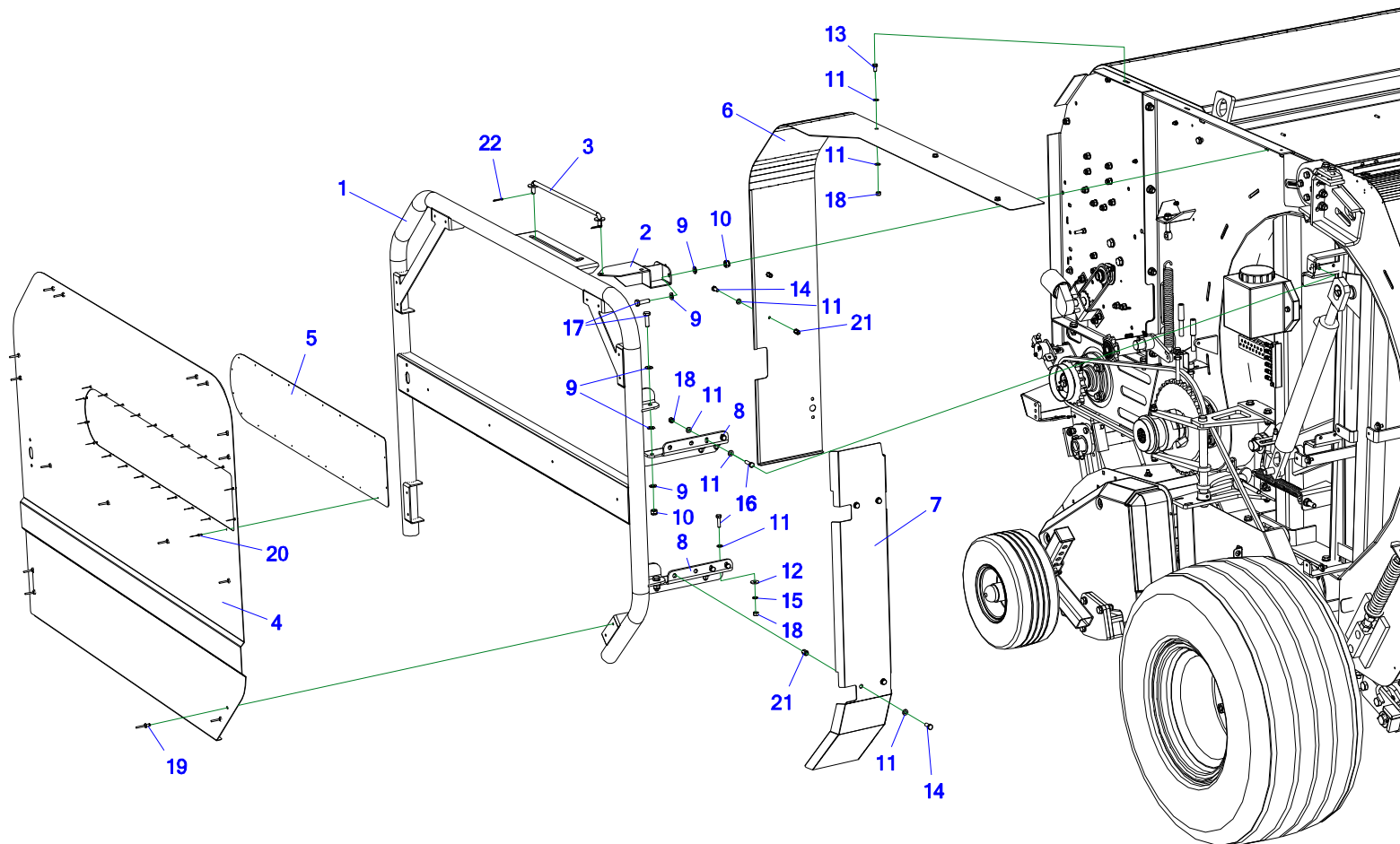


Table 42. Metal cover left part 1

No.	Index	Part or assembly name	Quantity
1	Z587 100.340.00	Left-hand opening cover	1
2	Z587 100.310.00	Welded top cover bracket	1
3	Z587 100.320.00	Cover stop	1
4	Z587 100.077.00	Cover plate left	1
5	Z587 100.082.00	Decorative cover plate	1
6	Z587 100.073.00	Cover plate left front	1
7	Z587 100.075.00	Cover plate left rear	1
8	Z587 100.079.00	Hinge I left	2
9	23P10 82005	Round washer 10 galv., 82005 82005	10
10	23NS10OC	Self-locking nut M10 galv., 82175 8 82175 8	4
11	23P8OOC	Round washer 8 galv., 82005 82005	23
12	23P8OC 82030	Round washer 8 galv., coated 82030	4
13	23S8/16 8.8 82105 OC	Screw 8 x 16 galv., 8.8 82105 82105	3
14	23S8/20OC 8.8	Bolt 8 x 20 galv., 8.8 82105 82105	6
15	23P8SPOC	Spring washer 8.2 galv., 82008 82008	4
16	23S8/30OC 8.8	Bolt 8 x 30 galv., 8.8 82105 82105	8
17	23S10/35OC 8.8	Bolt 10 x 35 galv., 8.8 82105 82105	4
18	23N8OC	Nut M8 galv., 82144 82144 5 82144	11
19	POD-ELZ-000579	Flat head rivet 6 x 10 alu-alu DIN7337A	16

No.	Index	Part or assembly name	Quantity
20	POD-ELZ-000439	Aluminium/steel pop rivet 3 x 8	22
21	POD-ELZ-000558	Blind rivet nut M8 steel Hexagonal	6
22	23Z3.2 25 GALV.	Cotter pin 3.2 x 25 galv.	2

45. METAL COVER LEFT PART 2

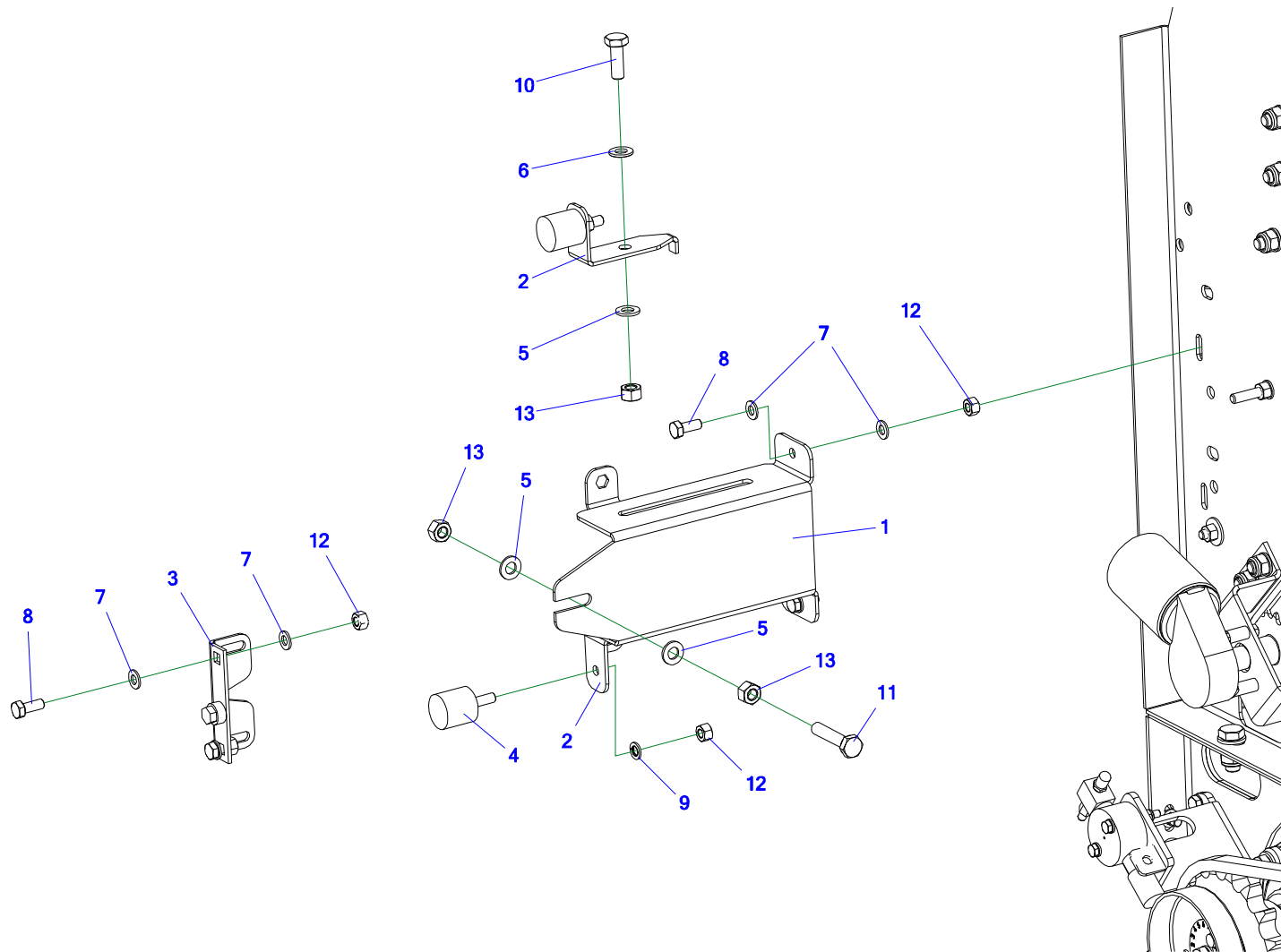


Table 43. Metal cover left part 2

No.	Index	Part or assembly name	Quantity
1	Z587 100.071.00	Cover lock plate	1
2	Z587 100.072.00	Bumper support	2
3	POD-UGL-000323	Closure 2812L03-1AF	1
4	POD-UGL-000319	Anti-vibration cylinder W-30-D-3	2
5	23P10OOC	Round washer 10, black 82005 82005	4
6	23P10 82005	Round washer 10 galv., 82005 82005	2
7	23P8OOC	Round washer 8 galv., 82005 82005	8
8	23S8/20OC 8.8	Bolt 8 x 20 galv., 8.8 82105 82105	4
9	23P8SPOC	Spring washer 8.2 galv., 82008 82008	2
10	23S10/30OC 8.8	Bolt 10 x 30 galv., 8.8 82105 82105	2
11	POD-ELZ-000051-1	Bolt 10 x 50 galv., 8.8 82101	1
12	23N8OC	Nut M8 galv., 82144 82144 5 82144	6
13	23N10OC	Nut M10 galv., 82144 5 82144 5	4

46. METAL COVER RIGHT PART 1

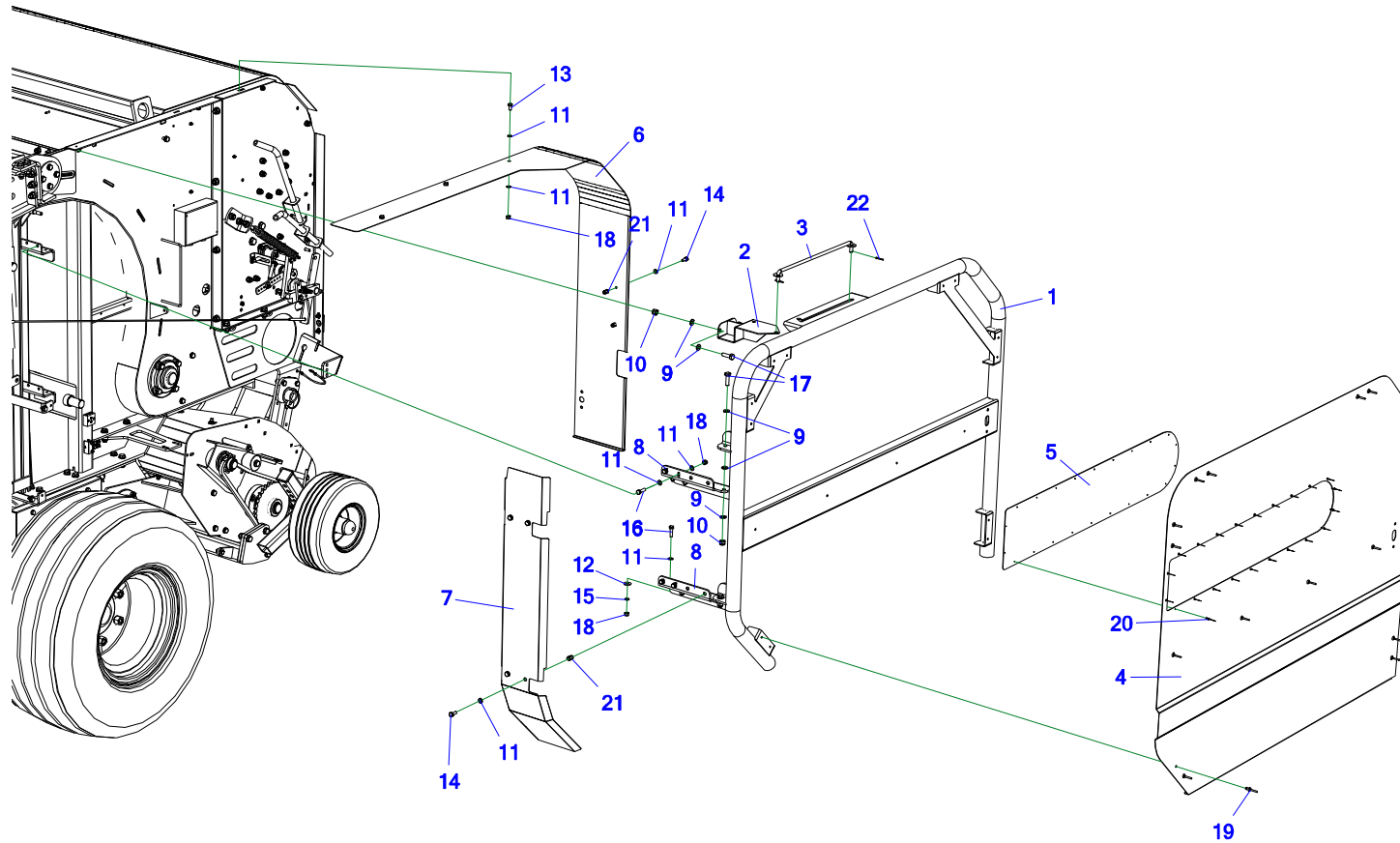


Table 44. Metal cover right part 1

No.	Index	Part or assembly name	Quantity
1	Z587 100.330.00	Right-hand opening cover	1
2	Z587 100.310.00	Welded top cover bracket	1
3	Z587 100.320.00	Cover stop	1
4	Z587 100.054.00	Right cover plate	1
5	Z587 100.082.00	Decorative cover plate	1
6	Z587 100.068.00	Right front cover plate	1
7	Z587 100.061.00	Right rear cover plate	1
8	Z587 100.063.00	Hinge I right	2
9	23P10 82005	Round washer 10 galv., 82005 82005	10
10	23NS10OC	Self-locking nut M10 galv., 82175 8 82175 8	4
11	23P8OOC	Round washer 8 galv., 82005 82005	24
12	23P8OC 82030	Round washer 8 galv., coated 82030	4
13	23S8/16 8.8 82105 OC	Screw 8 x 16 galv., 8.8 82105 82105	3
14	23S8/20OC 8.8	Bolt 8 x 20 galv., 8.8 82105 82105	6
15	23P8SPOC	Spring washer 8.2 galv., 82008 82008	4
16	23S8/30OC 8.8	Bolt 8 x 30 galv., 8.8 82105 82105	8
17	23S10/35OC 8.8	Bolt 10 x 35 galv., 8.8 82105 82105	4
18	23N8OC	Nut M8 galv., 82144 82144 5 82144	11
19	POD-ELZ-000579	Flat head rivet 6 x 10 alu-alu DIN7337A	16

No.	Index	Part or assembly name	Quantity
20	POD-ELZ-000439	Aluminium/steel pop rivet 3 x 8	22
21	POD-ELZ-000558	Blind rivet nut M8 steel Hexagonal	6
22	23Z3.2 25 GALV.	Cotter pin 3.2 x 25 galv.	2

47. METAL COVER RIGHT PART 2

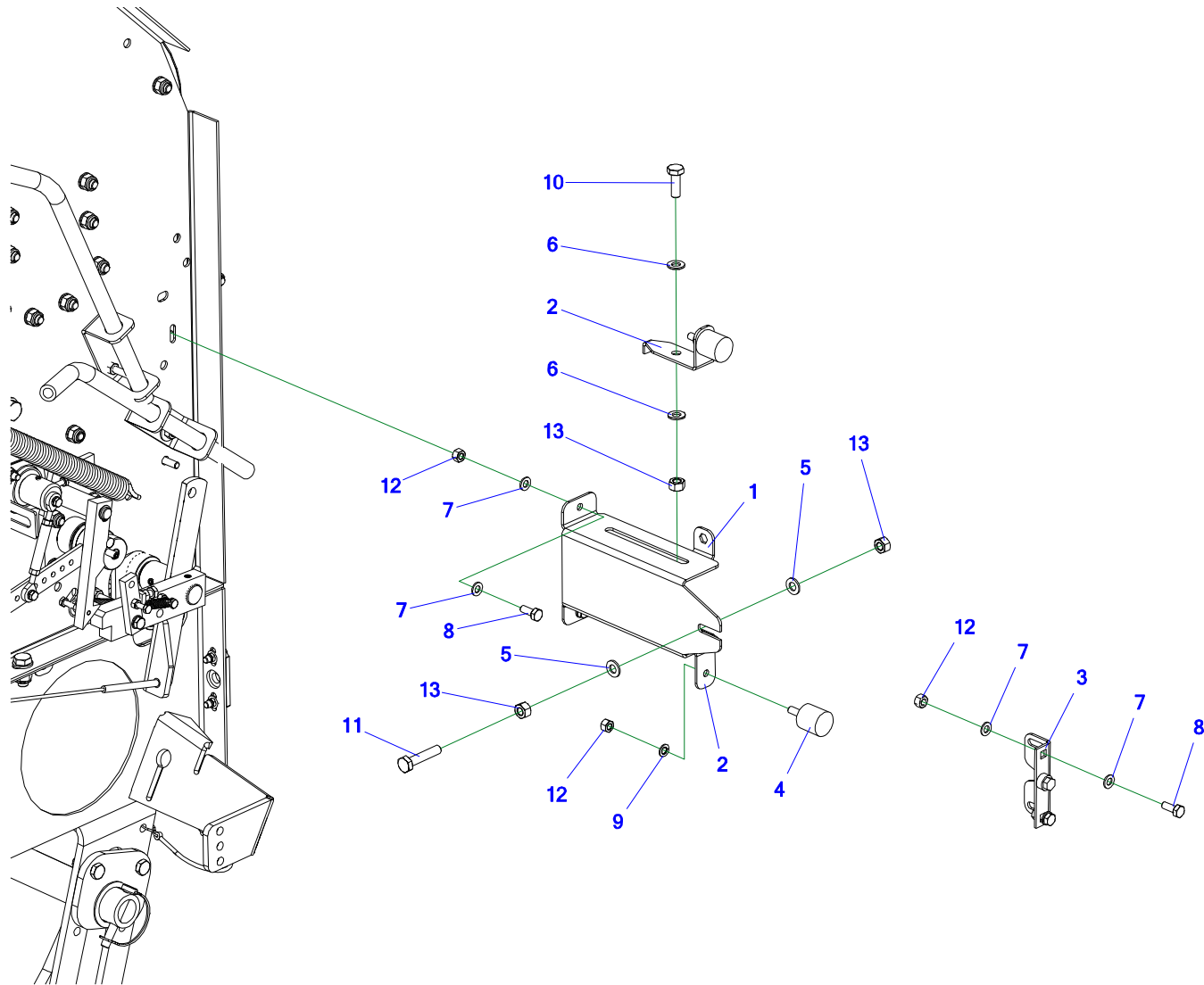


Table 45. Metal cover right part 2

No.	Index	Part or assembly name	Quantity
1	Z587 100.071.00	Cover lock plate	1
2	Z587 100.072.00	Bumper support	2
3	POD-UGL-000323	Closure 2812L03-1AF	1
4	POD-UGL-000319	Anti-vibration cylinder W-30-D-3	2
5	23P10OOC	Round washer 10, black 82005 82005	2
6	23P10 82005	Round washer 10 galv., 82005 82005	4
7	23P8OOC	Round washer 8 galv., 82005 82005	7
8	23S8/20OC 8.8	Bolt 8 x 20 galv., 8.8 82105 82105	4
9	23P8SPOC	Spring washer 8.2 galv., 82008 82008	2
10	23S10/30OC 8.8	Bolt 10 x 30 galv., 8.8 82105 82105	2
11	POD-ELZ-000051-1	Bolt 10 x 50 galv., 8.8 82101	1
12	23N8OC	Nut M8 galv., 82144 82144 5 82144	5
13	23N10OC	Nut M10 galv., 82144 5 82144 5	4

48. TOSS COVER LEFT

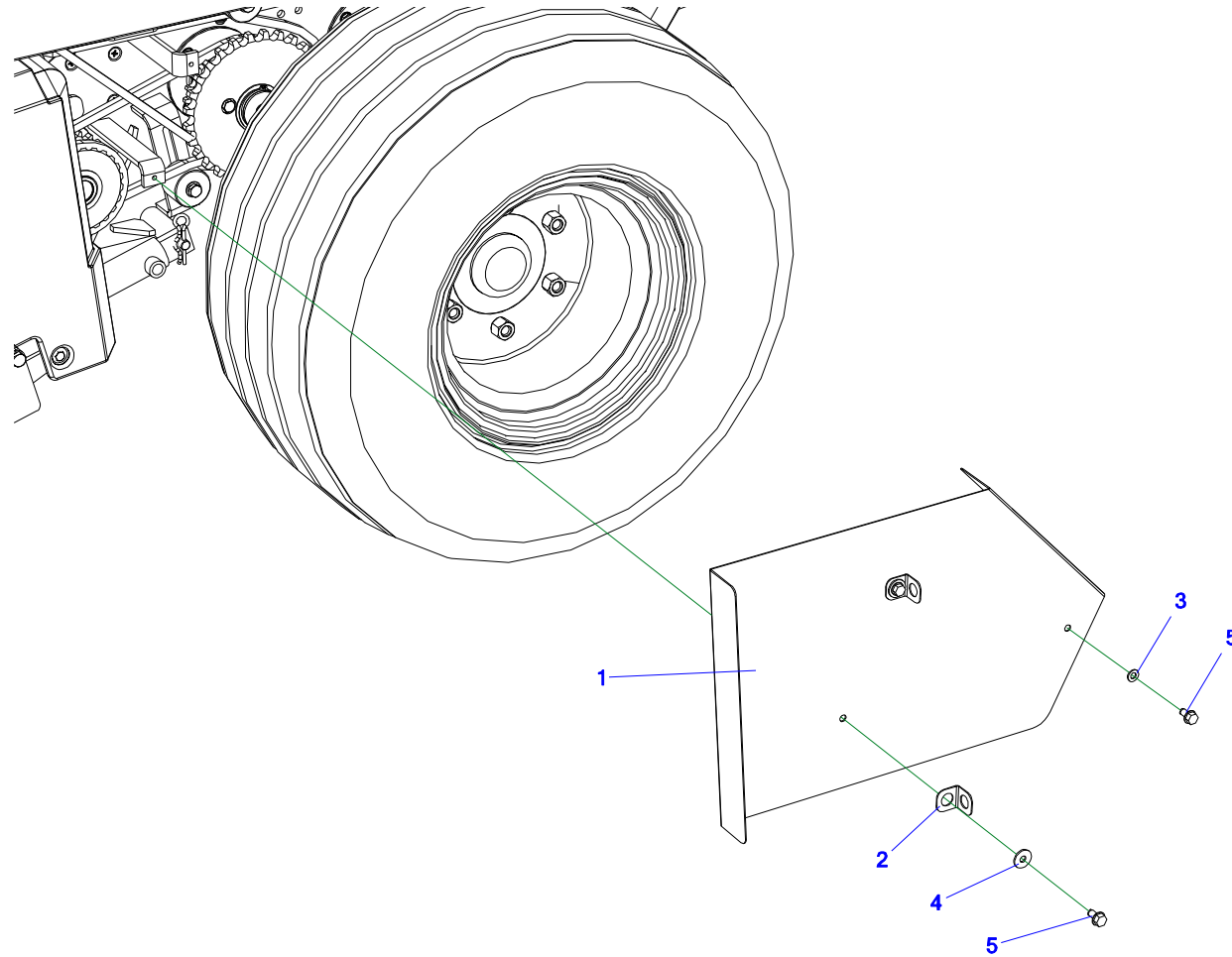


Table 46. Toss cover left

No.	Index	Part or assembly name	Quantity
1	Z587 100.011.01	Toss cover	1
2	Z587 000.018.00	Cable plate	2
3	23P8OOC	Round washer 8 galv., 82005 82005	1
4	23P8OC 82030	Round washer 8 galv., coated 82030	2
5	POD-ELZ-000565	Self-forming screw 8 x 16 galv., DIN 7500D-six	3

49. RIGHT HAND TOSS COVER

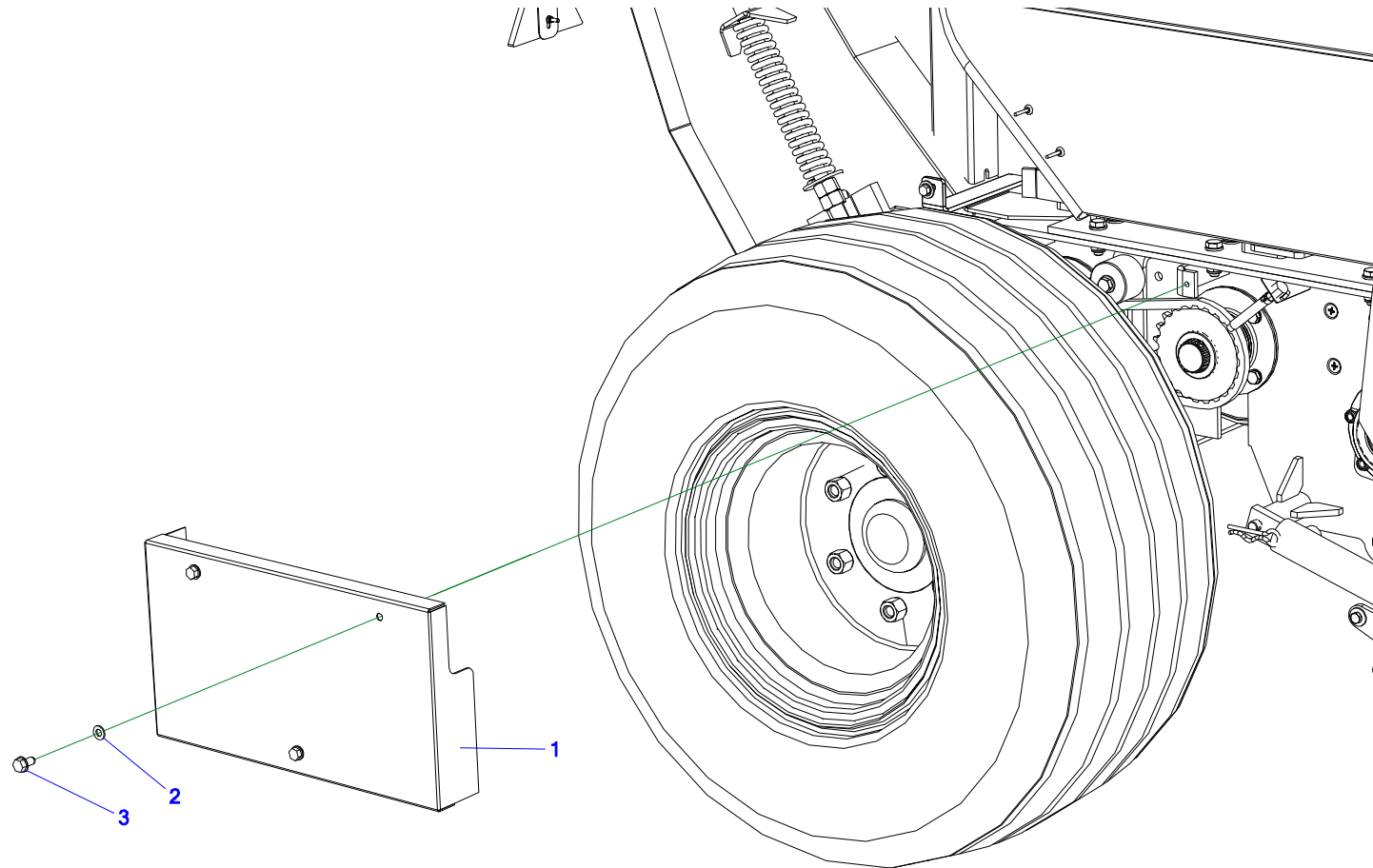


Table 47. Right hand toss cover

No.	Index	Part or assembly name	Quantity
1	Z587 100.010.01	Drive cover II	1
2	23P8OOC	Round washer 8 galv., 82005 82005	3
3	POD-ELZ-000565	Self-forming screw 8 x 16 galv., DIN 7500D-six	3

50. FRONT GUARDS

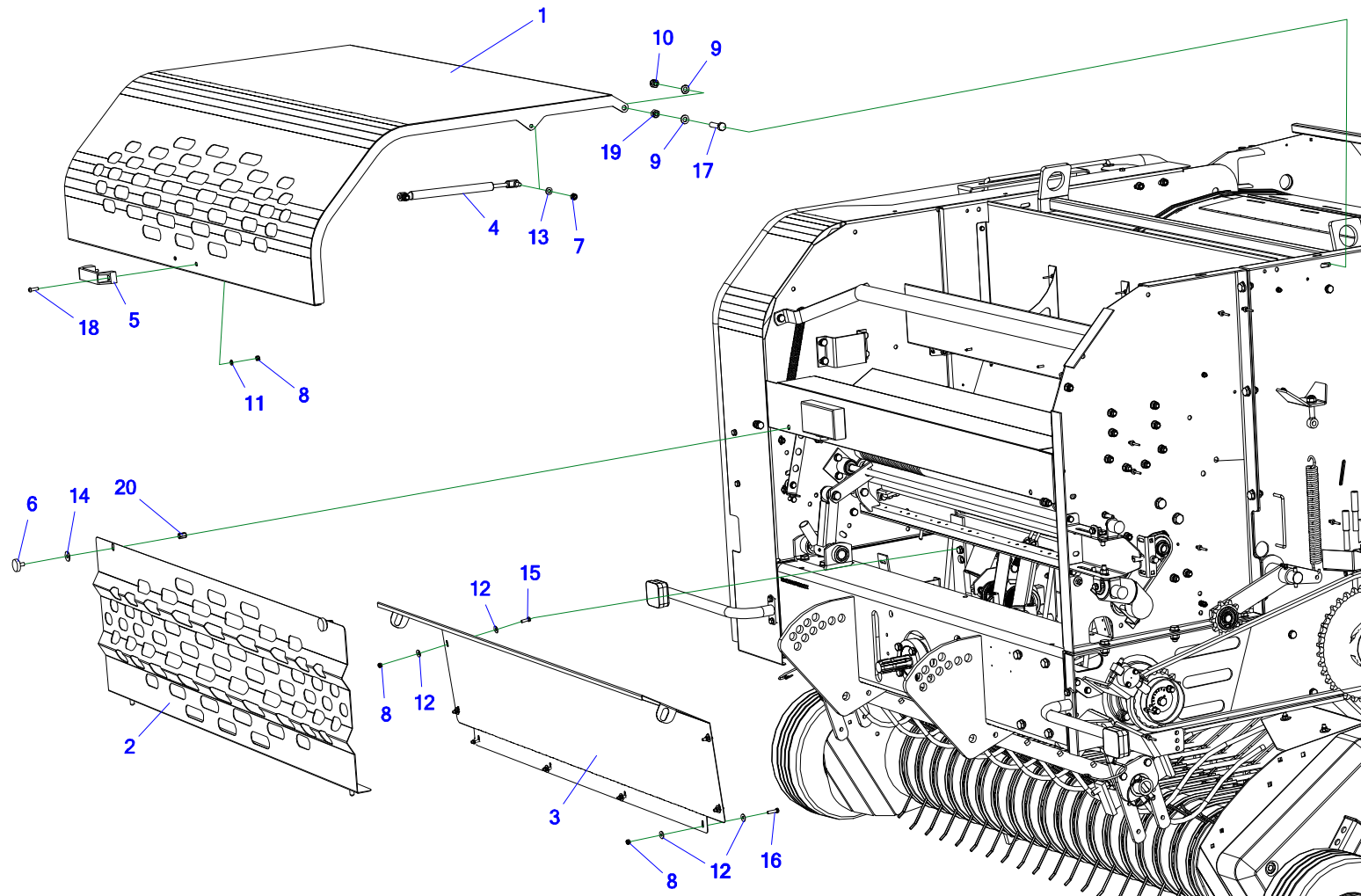


Table 48. Front guards

No.	Index	Part or assembly name	Quantity
1	Z587 100.350.00	Front top cover welded	1
2	Z587 100.360.00	Front bottom cover welded	1
3	Z587 020.030.01	Guard	1
4	POD-OGL-000721	Gas spring 21986	2
5	POD-OGL-000379	Holder N272 M.443-140-6-N-CH	1
6	POD-ELZ-000552	Knurled knob M8 x 15 dia. 26	2
7	23NS8OC	Self-locking nut M8 galv., 82175 8 82175 8	4
8	23NS6OC	Self-locking nut M6 galv., 82175 8 82175 8	10
9	23P10 82005	Round washer 10 galv., 82005 82005	4
10	23NS10OC	Self-locking nut M10 galv., 82175 8 82175 8	2
11	23P6OOC	Round washer 6 galv., 82005 82005	2
12	23P6OC030	Round washer 6 galv., coated 82030	14
13	23P8OOC	Round washer 8 galv., 82005 82005	4
14	23P8OC 82030	Round washer 8 galv., coated 82030	2
15	23S6/20	Bolt 6 x 20 galv., 8.8 82105 82105 8.8	4
16	23S6/25OC 105	Bolt 6 x 25 galv., 8.8 82105	4
17	23S10/45OC	Bolt 10 x 45 galv., 8.8 82105 82105	2
18	POD-ELZ-000572	Mushroom head bolt Allen 6 x 20 ISO 7380 galv., 8.8	2
19	23N10OC	Nut M10 galv., 82144 5 82144 5	2
20	POD-ELZ-000558	Blind rivet nut M8 steel Hexagonal	2

51. REAR COVERS

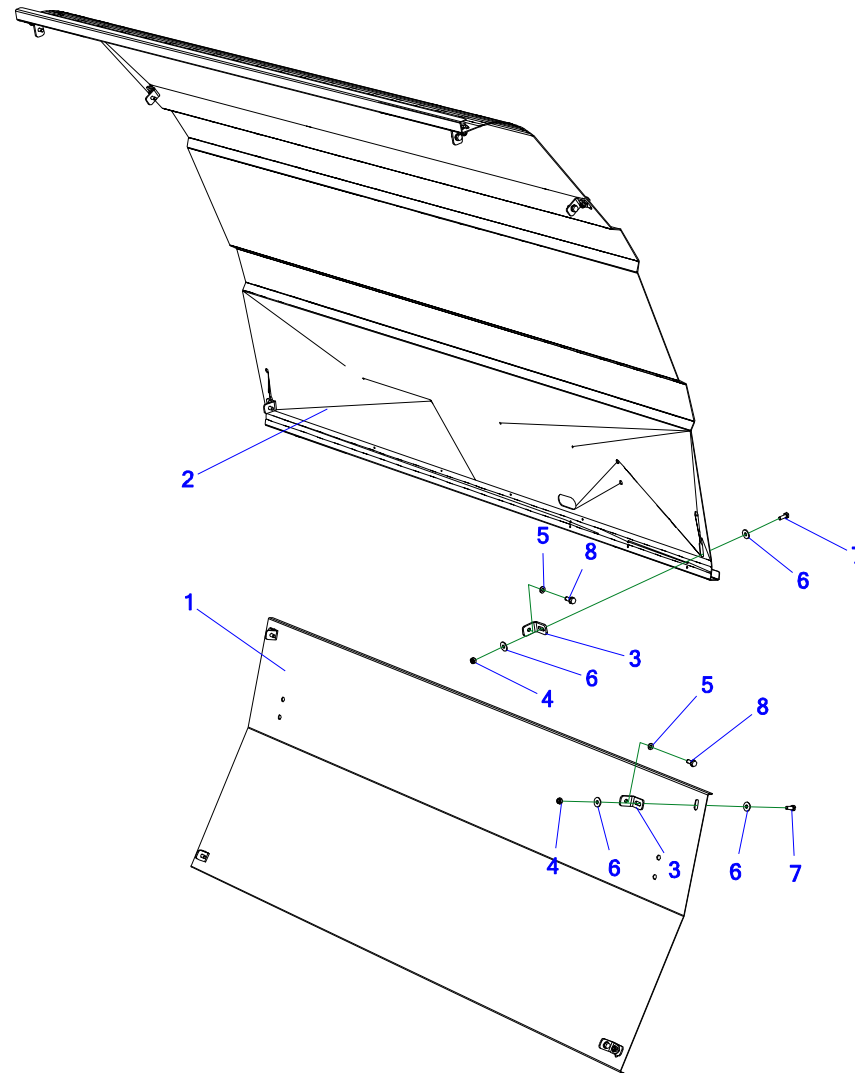


Table 49. Rear covers

No.	Index	Part or assembly name	Quantity
1	Z587 100.007.00	Rear cover 2	1
2	Z587 100.008.03	Rear cover 1	1
3	Z587 000.002.01	Rear cover bracket	10
4	23NS6OC	Self-locking nut M6 galv., 82175 8 82175 8	10
5	23P6OOC	Round washer 6 galv., 82005 82005	10
6	23P6OC030	Round washer 6 galv., coated 82030	20
7	23S6/16 8.8OC	Bolt 6 x 16 galv., 8.8 82105 82105 8.8	10
8	POD-ELZ-000513	Self-forming screw 6 x 16 galv., DIN 7500D-six	10

52. WHEEL CHOCKS

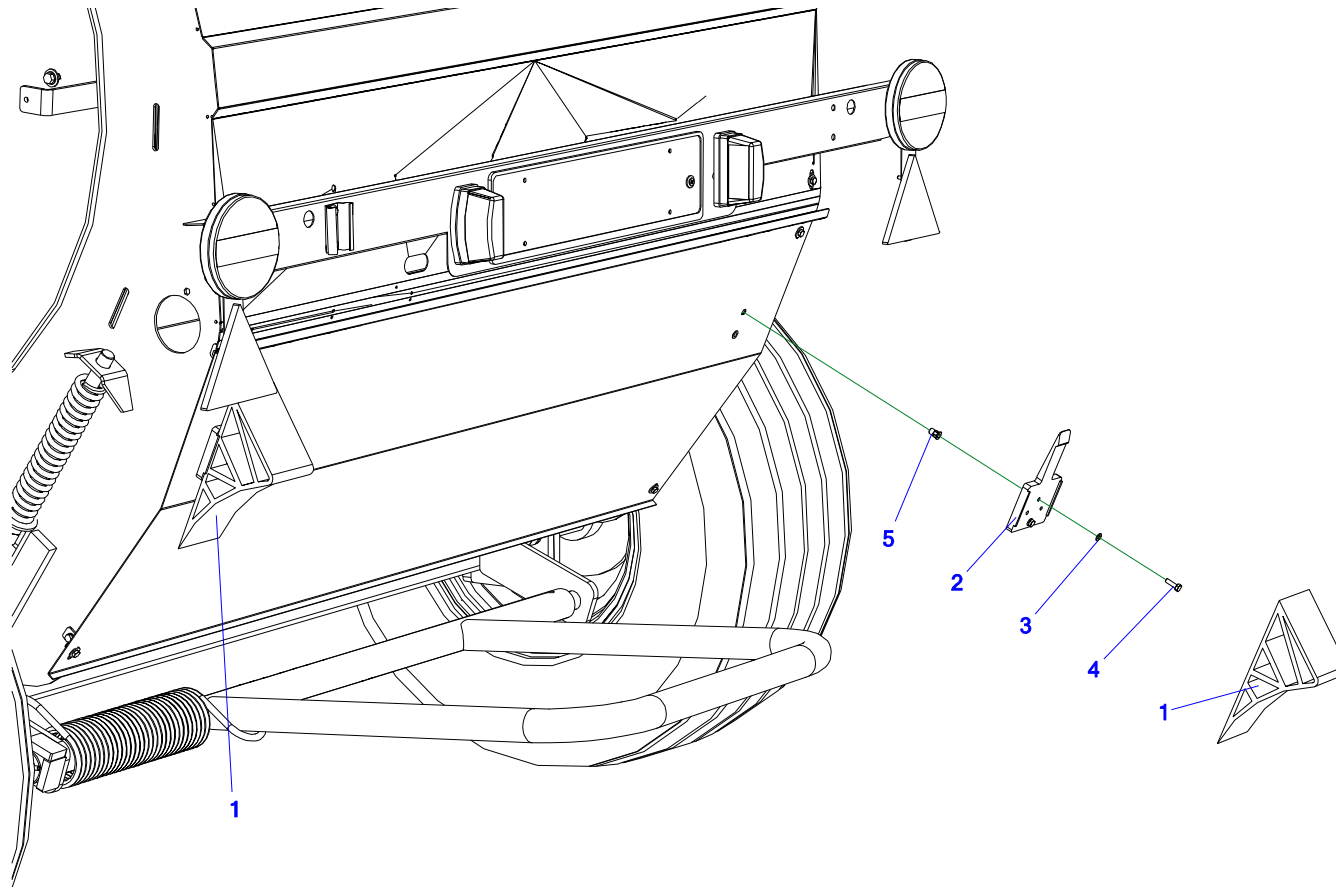


Table 50. Wheel chocks

No.	Index	Part or assembly name	Quantity
1	POD-OGL-000416	Wheel chock UK-10 B07V00070R	2
2	POD-OGL-000417	Wedge holder UK-10	2
3	23P6OOC	Round washer 6 galv., 82005 82005	4
4	23S6/20	Bolt 6 x 20 galv., 8.8 82105 82105 8.8	4
5	POD-ELZ-000814	M6 hexagon rivet nut with countersunk head	4

NOTES

A series of 20 horizontal dotted lines for taking notes.





Metal-Fach Sp. z o.o. is constantly improving its products and adjusting its package to the needs of its customers, so it reserves the right to make changes to its product range without notice. Therefore, before making your purchase decision, please contact an authorised dealer or sales representative of Metal-Fach Sp. z o.o.

Metal-Fach Sp. z o.o. will not accept any complaints regarding the data and pictures contained in the catalogue, as the presented range of products does not constitute an offer within the meaning of the provisions of the Civil Code.

The pictures do not necessarily show standard equipment.

Original spare parts are available from authorised dealers, both in Poland and abroad, and also at the Metal-Fach retail outlet.

TECHNICAL SERVICE

16-100 Sokółka, ul. Kresowa 62
Phone: +48 85 711 07 80; Fax: +48 85 711 07 93
serwis@metalfach.com.pl

SALES

16-100 Sokółka, ul. Kresowa 62
Phone: +48 85 711 07 78; Fax: +48 85 711 07 89
handel@metalfach.com.pl

SPARE PARTS WHOLESALE STORE

16-100 Sokółka, ul. Kresowa 62

Wholesale:

Phone: +48 85 711 07 80; Fax: +48 85 711 07 93
serwis@metalfach.com.pl

Retail:

Phone: +48 85 711 07 80; Fax: +48 85 711 07 93
serwis@metalfach.com.pl