



METAL-FACH



STATIONARY BALE WRAPPER

Z560

PARTS CATALOGUE

REV. III

JANUARY 2019

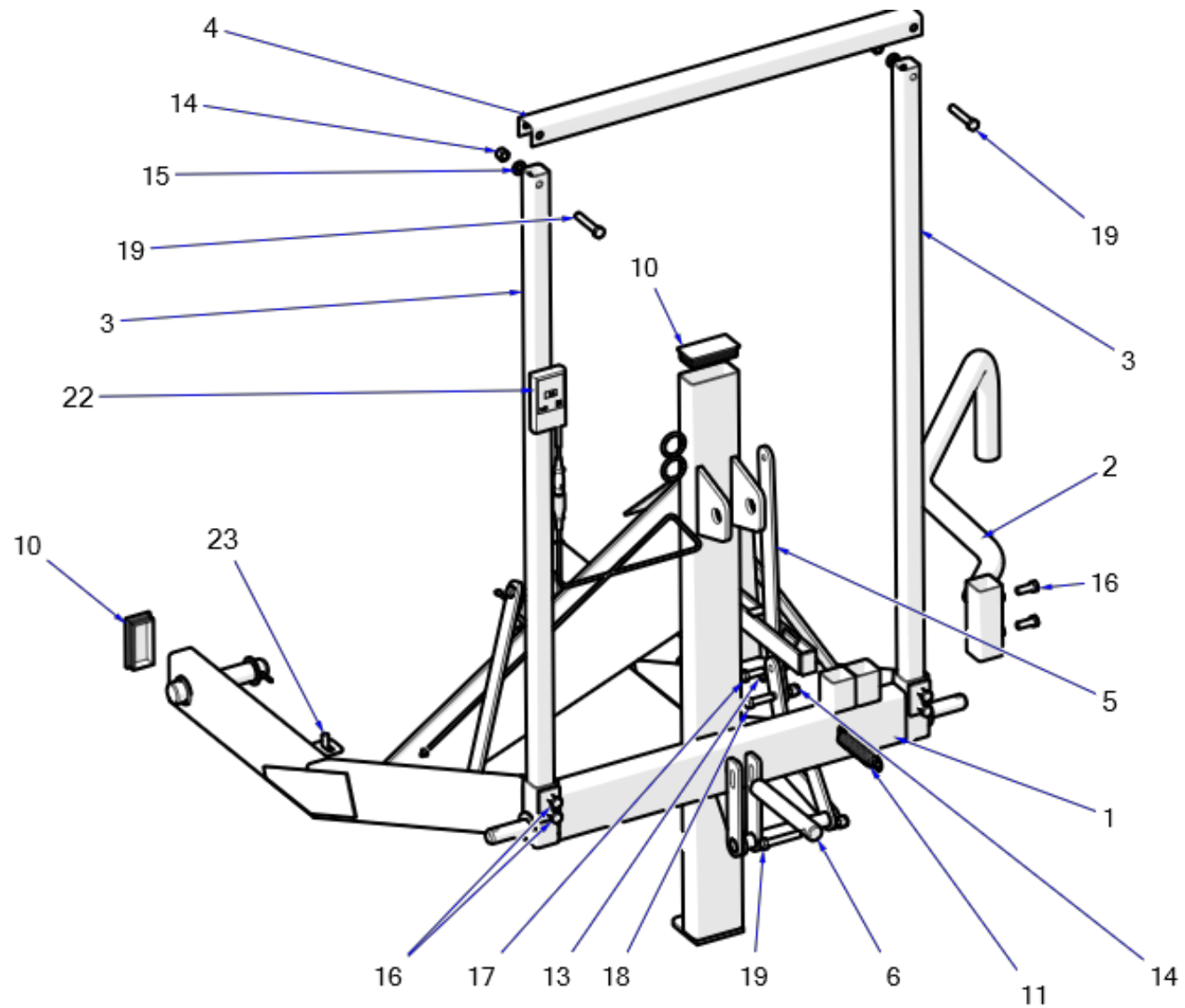


The information included in this catalogue is valid as of the date of its preparation. The manufacturer reserves the right to make design changes to machines, and, due to this fact, some values or illustrations might not correspond to the actual state of the machine supplied to the user. The manufacturer also reserves the right to make design changes without amending this catalogue.

Table of contents

1. Main frame	4
2. Lower frame	7
3. Rotary frame.....	9
4. Foil feeder	14
5. Hydraulic system	17
6. Bale tipper	19
NOTES	21

1. Main frame



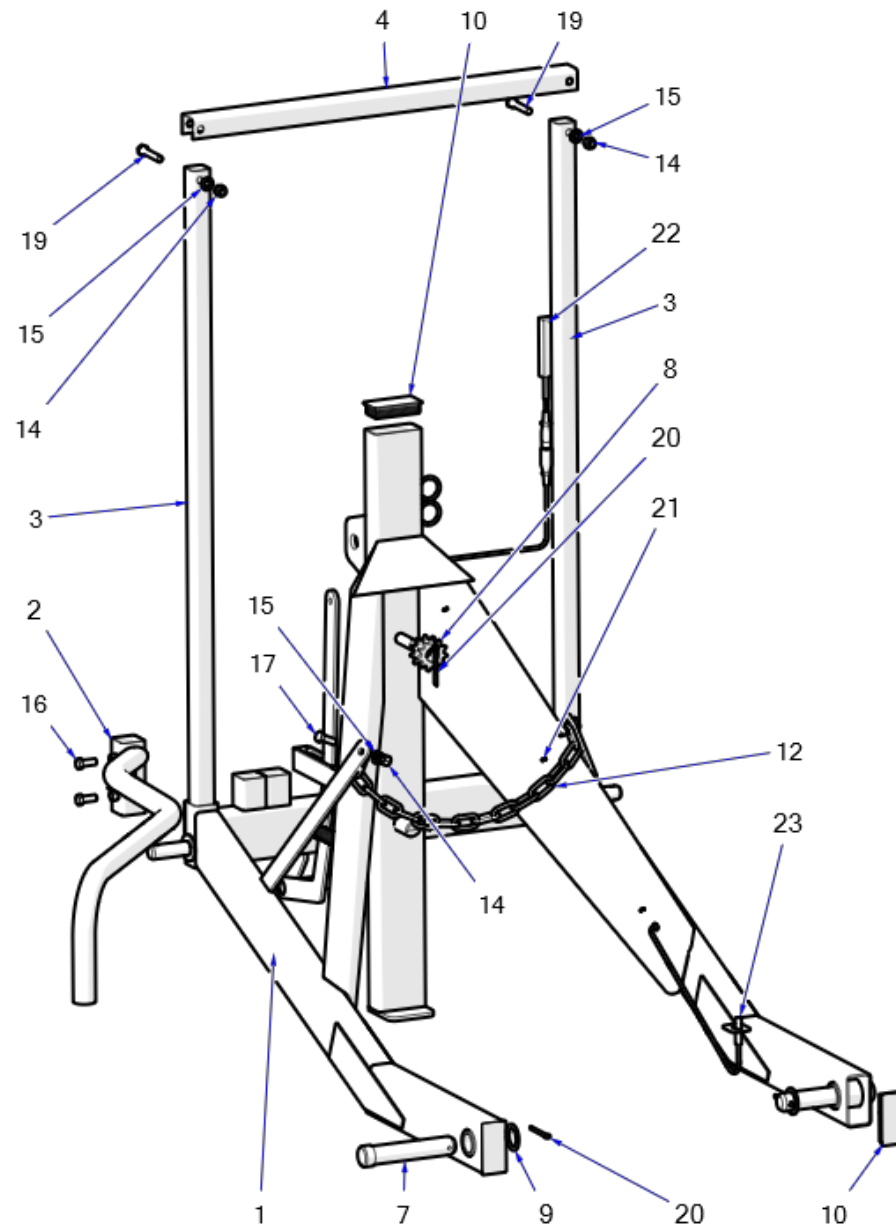


Tabela 1. Main frame

No.	Part or assembly No.	Index	Quantity
1	Frame body	Z-552 01/01/2000	1
2	Guard	Z-560 01/02/2000	1
3	Tube squ.	Z-552 01.00.03	2
4	Crossbar	Z-552 01.00.04	1
5	Lever	Z-552 01.00.05.1	1
6	Pn	Z-552 01.00.06	1
7	Main pin	Z-552 00.00.07.1	2
8	Chain wheel Z-11	Z-560 00.00.16.1	1
9	Washer I	Z-237 33.00.14	2
10	Stopper, square int. 100x50 mm black (TL-199195)	23WRP	3
11	Tension spring 3/25/150/36,5 oc (maz-1771)	23SPN3/25/150	1
12	General-purpose chain 8mm oc 8x30x50	23LSFI8OC	1

No.	Part or assembly no.	Index	Quantity
13	Nut m12oc 82144 5 821445	23N12OC	1
14	Nut, self-locking m12oc 82175 8 82175 8	23NS12OC	7
15	Washer, round 12oc 82005	23P12OC	5
16	Screw 12x30oc 8.8 82105 82105	23S12/30OC 8.8	6
17	Screw 12x35oc 8.8 82105 82105	23S12/35OC 8.8	3
18	Screw 12x45oc 8.8 82105 82105	23S12/45OC	1
19	Screw 12x70oc 8.8 82101 82101	23S12/70OC 8.8	3
20	Cotter pin 6.3x63oc	23Z6/63	3
21	Cotter pin 2.5x28oc	23Z2,5/28OC.	3
22	Counter L-01 XLR Z552, Z560 new	POD-ELK-000072	1
23	Counter cable with a sensor	POD-ELK-000074	1

2. Lower frame

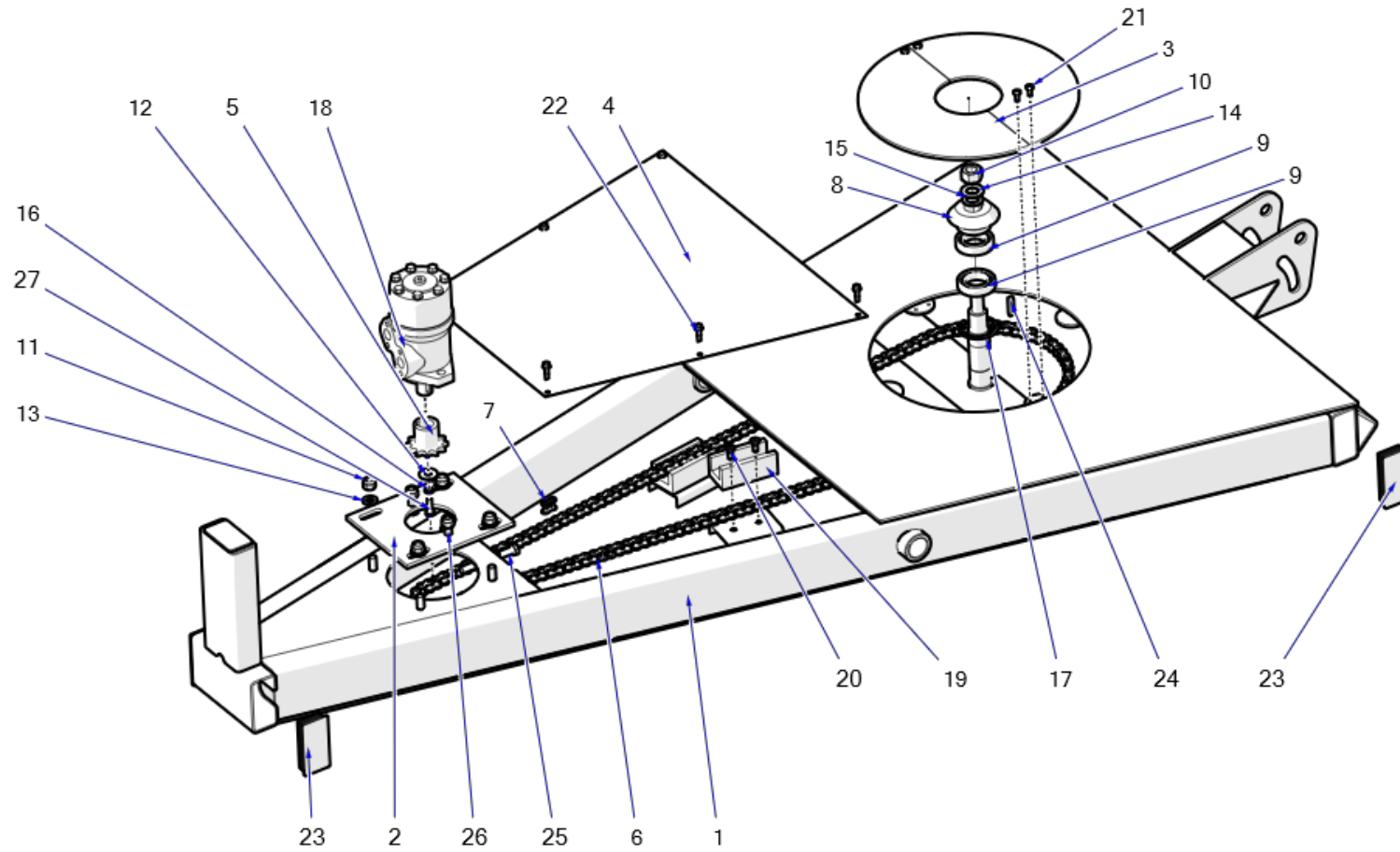
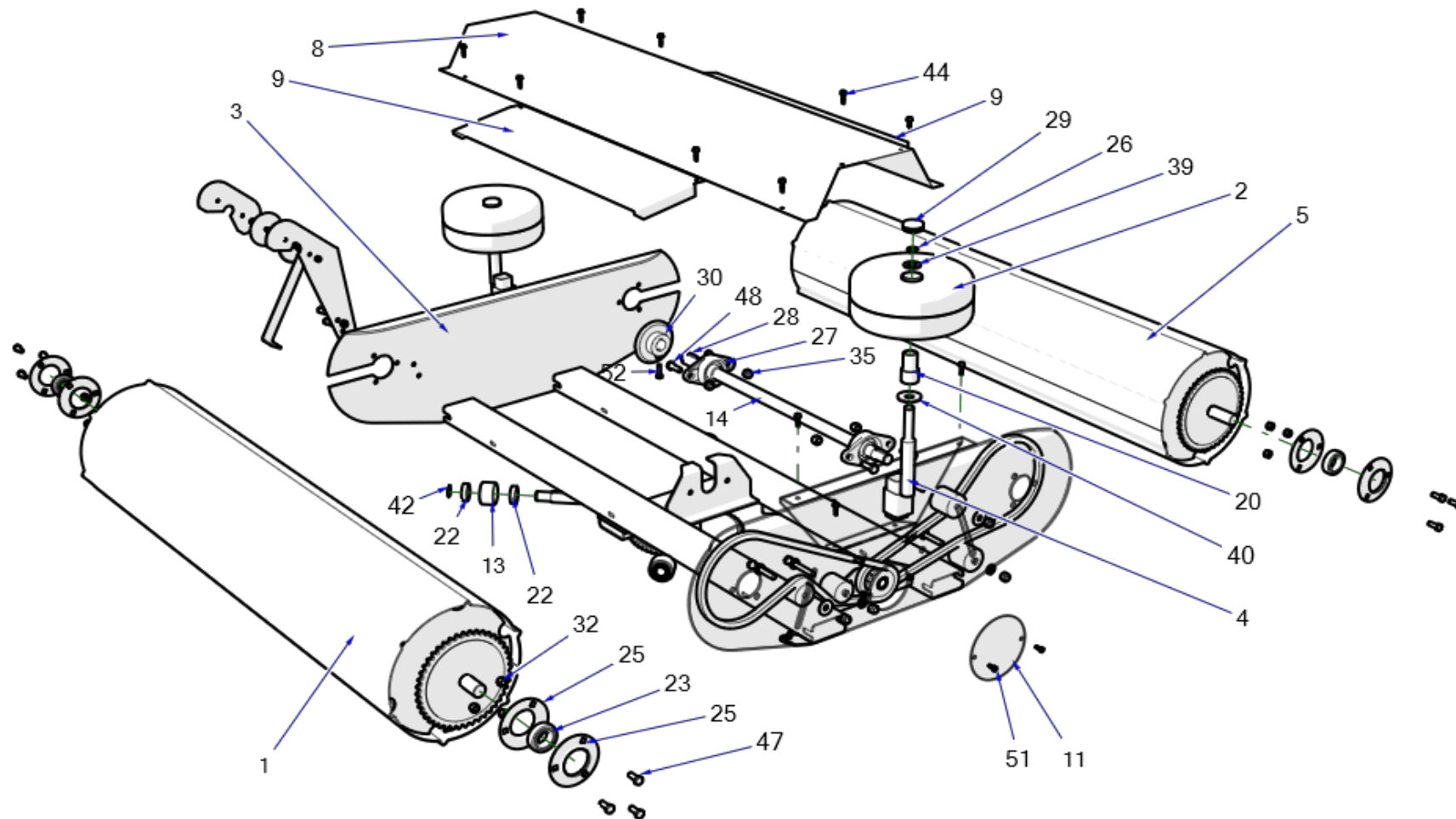


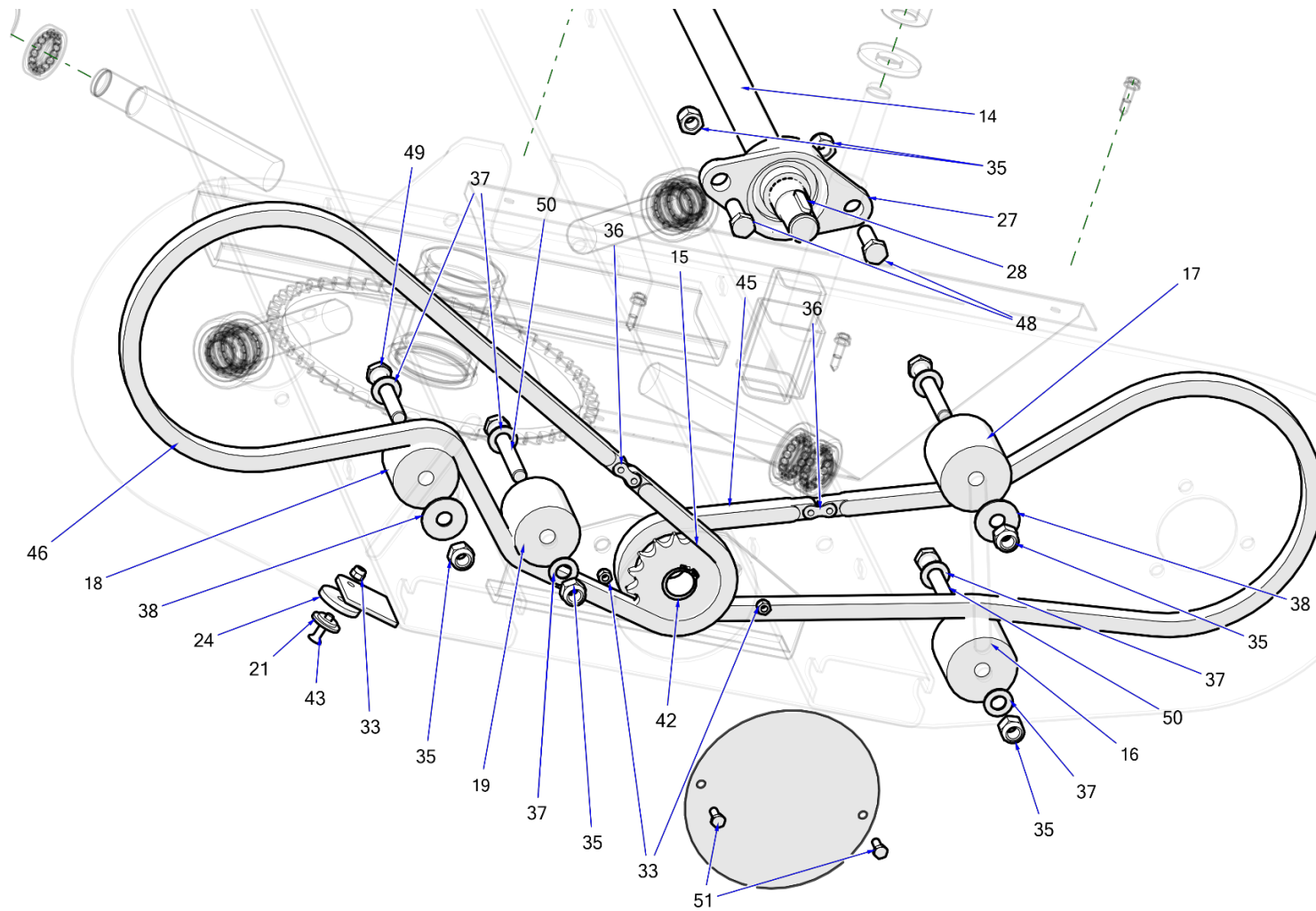
Tabela 2. Lower frame

No.	Part or assembly No.	Index	Quantity
1	Lower frame	Z-552 03.00.00	1
2	Motor base	Z-552 00.09.00	1
3	Gear guard	Z-552 00.00.10.1	1
4	Lower guard	Z-552 00.00.14.1	1
5	Chain wheel Z-12	Z-560 00.00.08	1
6	Chain 10B1 169link (2.70mb)	25LO10B1 (169OGN)	1
7	Straight link 10B1 R-1 5/8"	25LO10P	1
8	Bevel gear Z17	25KZ17	1
9	Bearing 6007 2RS	25L6007	2
10	Nut M20 oc 82144 5 82144 5	23N20OC	1
11	Nut, self-locking m12oc 82175 8 82175 8	23NS12OC	6
12	Washer, round 10oc coat. 82030	23P10 OC030	1
13	Washer, round 12oc 82005	23P12OC	4
14	Washer, round 20oc 82005 82005	23P20OOC	1

No.	Part or assembly No.	Index	Quantity
15	Washer, round 20.5oc 82008 82008	23P20SP	1
16	Spring washer 8.2oc 82008 82008	23P8SPOC	1
17	Circlip W62	23SW62	1
18	Hydraulic motor OMR 200 (BMR)	24S200	1
19	Slide guide -Tecamid	21TPR	2
20	Screw 8x20oc 82208 82208	23W8/20OC	4
21	Screw, cheese head 6x16 oc 82202 82202	POD-ELZ- 000018-1	4
22	Screw, self-drilling, 6.3x25 oc hex head	28W6,3X25	6
23	Stopper, square int. 100x50mm black (TL-199195)	23WRP	4
24	Key 8x7x36	23WP8/7/36	1
25	Bolt 12x100oc 8.8 82105 82105	23S12/100OC	1
26	Bolt 12x40oc 8.8 82105 82105	23S12/40OC 8.8	2
27	Bolt 8x25oc 8.8 82105 82105	23S8/25OC8.8	1

3. Rotary frame





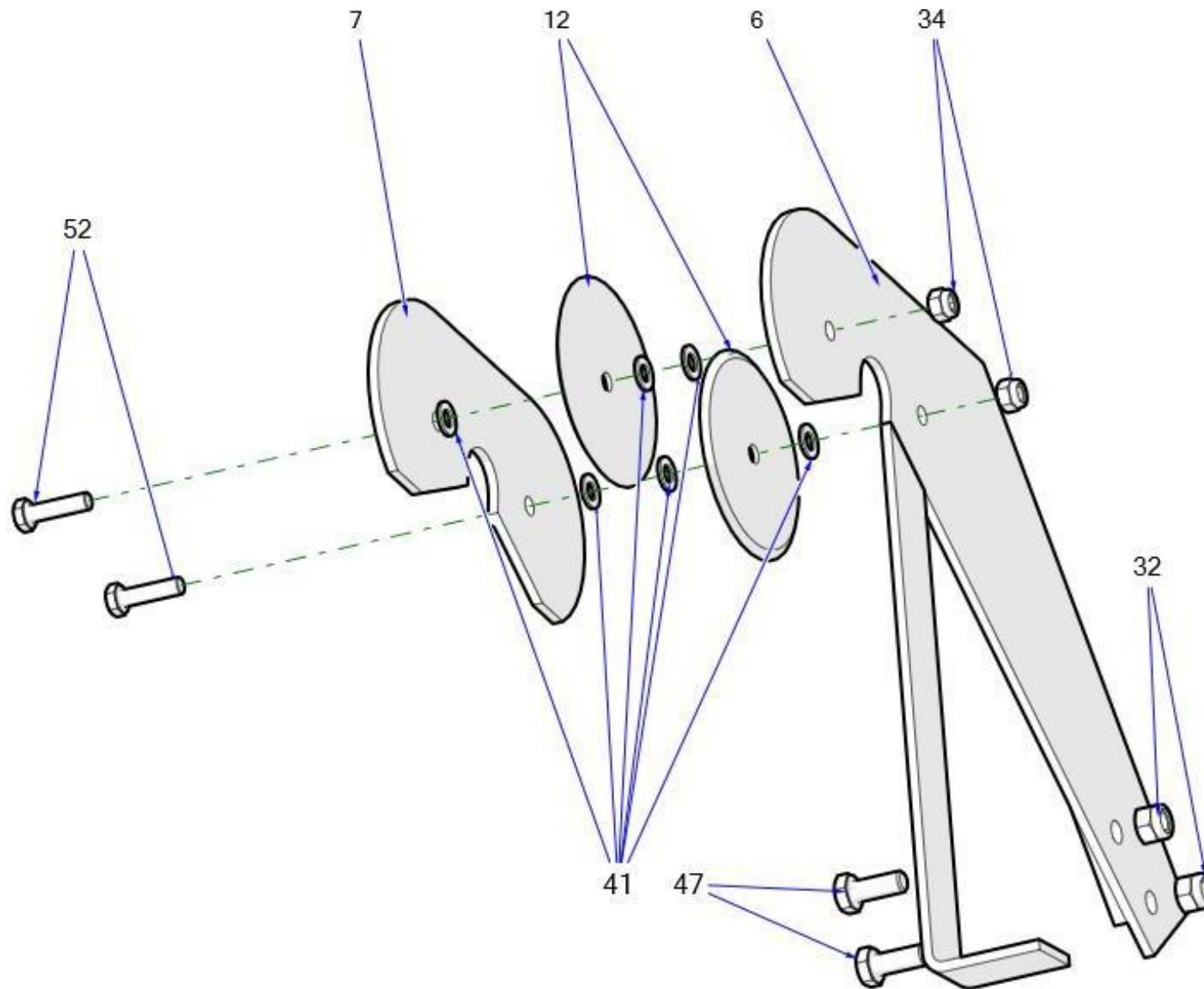


Tabela 3. Rotary frame

No.	Part or assembly No.	Index	Quantity
1	Drum set	Z-560 06.00.00	1
2	Side wheel	Z-552 05/02/2000	2
3	Rotary frame	Z-560 04.00.00	1
4	Side-wheel bracket	Z-560 05/01/2000	2
5	Drum set II	Z-560 20.00.00	1
6	Knife bracket	Z-560 00.60.100	1
7	Steel plate II	Z-560 00.60.201	1
8	Central guard	Z-552 00.00.15	1
9	Bearing guard	Z-552 00.00.18	2
10	Drive guard	Z-560 00.00.17	1
11	Cover	Z-560 00.00.60	1
12	Knife disc	Z-560 00.60.06	2
13	Bearing-mount roller	Z-560 04.00.09	4
14	Drive shaft	Z-560 00.00.11.2	1
15	Chain wheel Z-16	Z-560 00.00.19.2	1
16	Chain-tensioner roller I	Z-560 00.00.56	1
17	Chain-tensioner roller II	Z-560 00.00.61	1
18	Chain-tensioner roller III	Z-560 00.00.63	1
19	Chain-tensioner roller IV	Z-560 00.00.64	1

No.	Part or assembly No.	Index	Quantity
20	Wheel sleeve	Z-552 05.00.03	2
21	Magnet washer	Z-552 00.00.02	1
22	Bearing 6005 2RS	25L6005	8
23	Bearing FD206	25L206	4
24	Ferrite ring magnet fi 32	25MG	1
25	Metal housing P-206	POD-LOZ-000173	8
26	Circlip Z20	23SZ20	2
27	Bearing unit UCFL206	25L206UCFL	2
28	Key 8x7x36	23WP8/7/36	2
29	Stopper, round int 45 mm white (Es-111610)	POD-TSZ-000066	2
30	Bevel gear Z25	25KZ25	1
31	Nut m8oc 82144 5 821445	23N8OC	1
32	Nut, self-locking m10oc 82175 8 82175 8	23NS10OC	14
33	Nut, self-locking m6oc 82175 8 82175 8	23NS6OC	3
34	Nut, self-locking m8oc 82175 8 82175 8	23NS8OC	2
35	Nut, self-locking m12oc 82175 8 82175 8	23NS12OC	8
36	Straight link 10B1 R-1 5/8"	25LO10P	2
37	Washer, round 12oc 82005	23P12OC	6

No.	Part or assembly No.	Index	Quantity
38	Washer, round 12oc coat. 82030	23P12OOC	2
39	Washer, round 20oc 82005 82005	23P20OOC	2
40	Washer, round 20oc 82030	POD-ELZ-000459	2
41	Washer, round 8oc 82005 82005	23P8OOC	6
42	Circlip Z25	23SZ25	5
43	Screw, cheese head 6x25 oc 82208 82208	23W6/25OC	1
44	Screw, self-drilling, 6.3x25 oc hex head	28W6,3X25 OC	12
45	Chain 10B1 85link (1)	25LO10B1 85OGN	1

No.	Part or assembly No.	Index	Quantity
46	Chain 10B1 85link (2)	25LO10B1 85OGN	1
47	Bolt 10x25oc 8.8 82105 82105	23S10/25OC 8.8	14
48	Bolt 12x35oc 8.8 82105 82105	23S12/35OC 8.8	4
49	Bolt 12x80oc 8.8 82101 82101	23S12/80OC 8.8	1
50	Bolt 12x90oc 8.8 82101 82101	23S12/90 101OC	3
51	Bolt 6x16oc 8.8 82105 82105 8.8	23S6/16 8.8OC	2
52	Bolt 8x30oc 8.8 82105 82105	23S8/30OC 8.8	3

4. Foil feeder

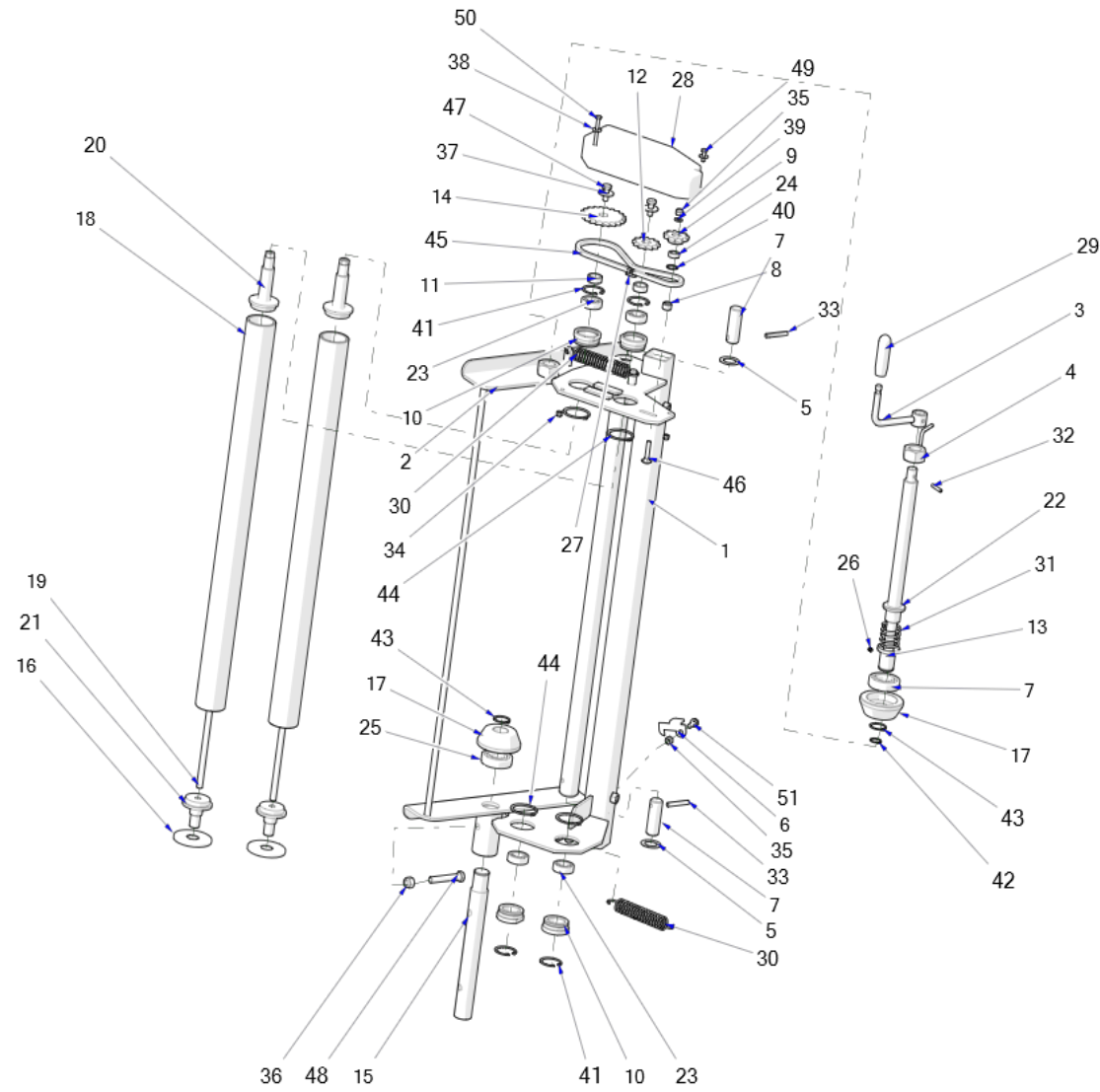


Tabela 4. Foil feeder

No.	Part or assembly No.	Index	Quantity
1	Mount bracket	Z-560 02.01.00.1	1
2	Foil bracket set	Z-560 02/02/2000	1
3	Handle set	Z-560 02.37.00.1	1
4	Backnut M27	Z-560 02.38.00	1
5	Washer V	Z-237 33.00.25	2
6	Lock	Z-560 02.00.04	1
7	Foil bracket shaft	Z-560 02.00.07	2
8	Distance sleeve II	Z-560 02.00.08	1
9	Chain wheel Z-11	Z-560 02.00.09	1
10	Shaft mounting	Z-560 02.00.25.1	4
11	Distance sleeve III	Z-560 02.00.26	2
12	Chain wheel Z-12	Z-560 02.00.30	1
13	Sleeve	Z-560 02.00.311.2	1
14	Chain wheel Z-21	Z-560 02.00.32	1
15	Lower shaft	Z-560 02.00.35.1	1
16	Bearing guard	Z-560 02.00.36	2
17	Foil mount, upper	Z-560 02.00.41.1	2
18	Tensioner tube	Z-560 02.24.01	2
19	Connecting rod	Z-560 02.24.02	2

No.	Part or assembly no.	Index	Quantity
20	Mount I	Z-560 02.24.03.1	2
21	Mount II	Z-560 02.24.04.1	2
22	Adjustment bolt ver.2	Z-560 02.36.00.1	1
23	Bearing 6004 2RS	25L6004	4
24	Bearing 608 2RS	25L608 2RS	1
25	Bearing 6206 2RS	25L6206	2
26	Set screw 6x8 imbus,DIN913 oc	POD-ELZ-000659	1
27	Chain link 08B1 R-1 1/2"	25LO08P	1
28	Tensioner guard ABS Z577 Z560	POD-TSZ-000033	1
29	Feeder handle	25RP	1
30	23SPN3/23/135 MAZ1771/1 Tension spring 3/23/136/34 oc (maz-1771/B-1)	23SPN3/23/135 MAZ1771/1	2
31	Tension spring 3/23/136/34 oc (maz-1771/B-1)	23S4/32/50	1
32	Resilient stud 6x30 DIN 1481	23K6/30	1
33	Resilient stud 8x50 DIN 1481	23K8/50	2
34	Nut, self-locking m6oc 82175 8 82175 8	23NS6OC	2
35	Nut, self-locking m8oc 82175 8 82175 8	23NS8OC	2
36	Nut, self-locking m12oc 82175 8 82175 8	23NS12OC	1

No.	Part or assembly No.	Index	Quantity
37	Washer, round 10oc coat. 82030	23P10 OC030	2
38	Washer, round 6oc coat. 82030	23P6OC030	2
39	Washer, round 8oc 82005 82005	23P8OOC	2
40	Circlip W22	23SW22	1
41	Circlip W42	23SW42	4
42	Circlip Z20	23SZ20	1
43	Circlip Z30	23SZ30	2
44	Circlip Z50	23SZ50	4

No.	Part or assembly no.	Index	Quantity
45	Chain 08B1 43ogn	25LO08B1 43OGN	1
46	Bolt, neck 8x40oc 8.8 82406 82406	23S8/40P	1
47	Bolt 10x25oc 8.8 82105 82105	23S10/25OC 8.8	2
48	Screw 12x70oc 8.8 82101 82101	23S12/70OC 8.8	1
49	Bolt 6x20oc 8.8 82105 82105 8.8	23S6/20	1
50	Bolt 6x60oc 8.8 82101 82101 8.8	23S6/60OC 8.8	1
51	Bolt 8x25oc 8.8 82105 82105	23S8/25OC8.8	1

5. Hydraulic system

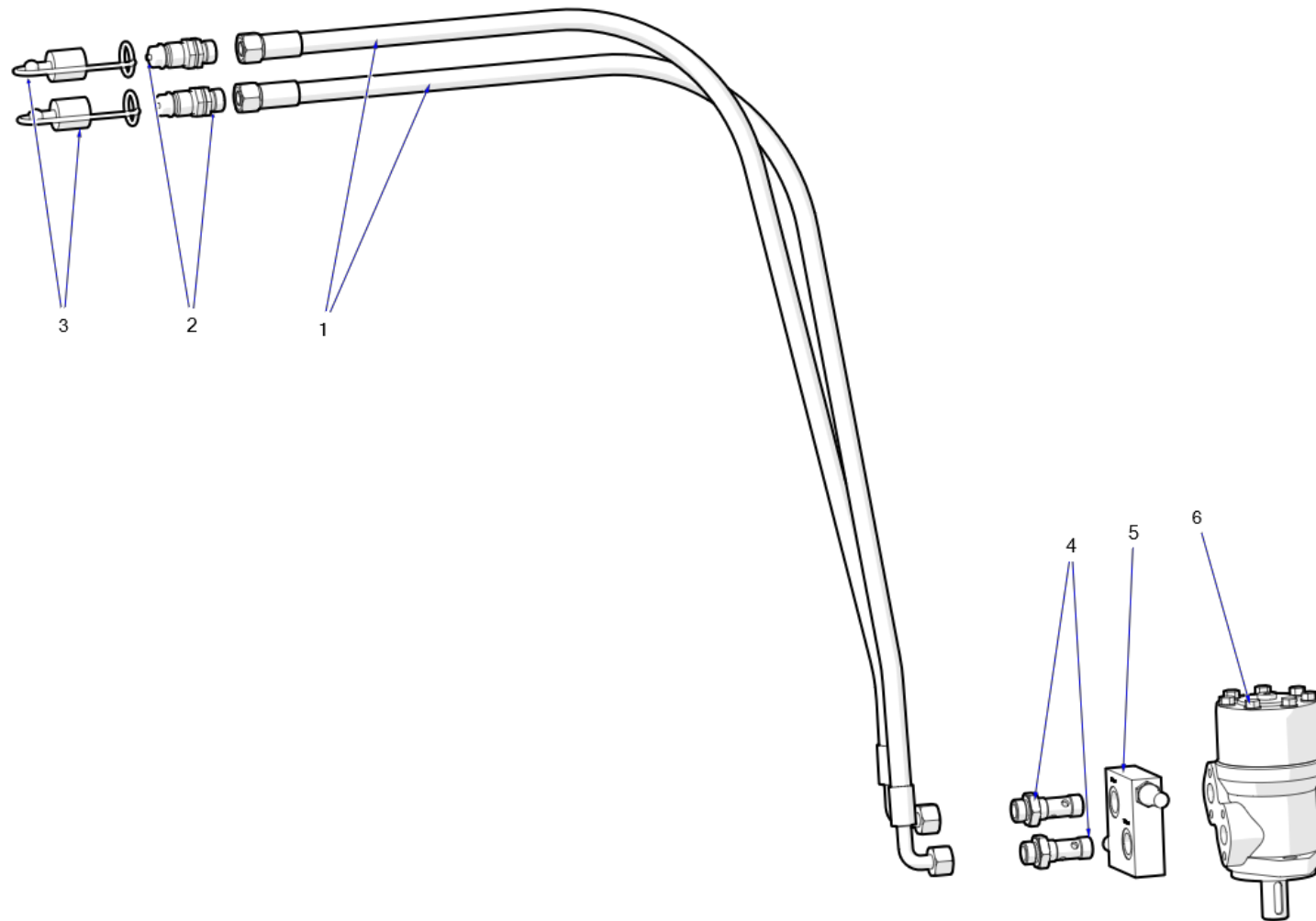


Tabela 5. Hydraulic system

No.	Part or assembly No.	Index	Quantity
1	Set No. 5 wrapper Z-560;Z- 552 (hydraulic pipes)	24PHZ-560;Z-552	2
2	Plug EURO plug 13 M22x1.5	24ZWE13	2
3	Vale cap EURO plug 13 (green, yellow, blue, red)	24ZWNE13	2
4	Hydraulic bolt (1/2"/16-13 15L) Z552 00.00.23/1	24SH	2
5	Hydraulic block with valve (DCV1202 210b or VAU OM)	24ZB	1
6	Hydraulic motor OMR 200 (BMR)	24S200	1

6. Bale tipper

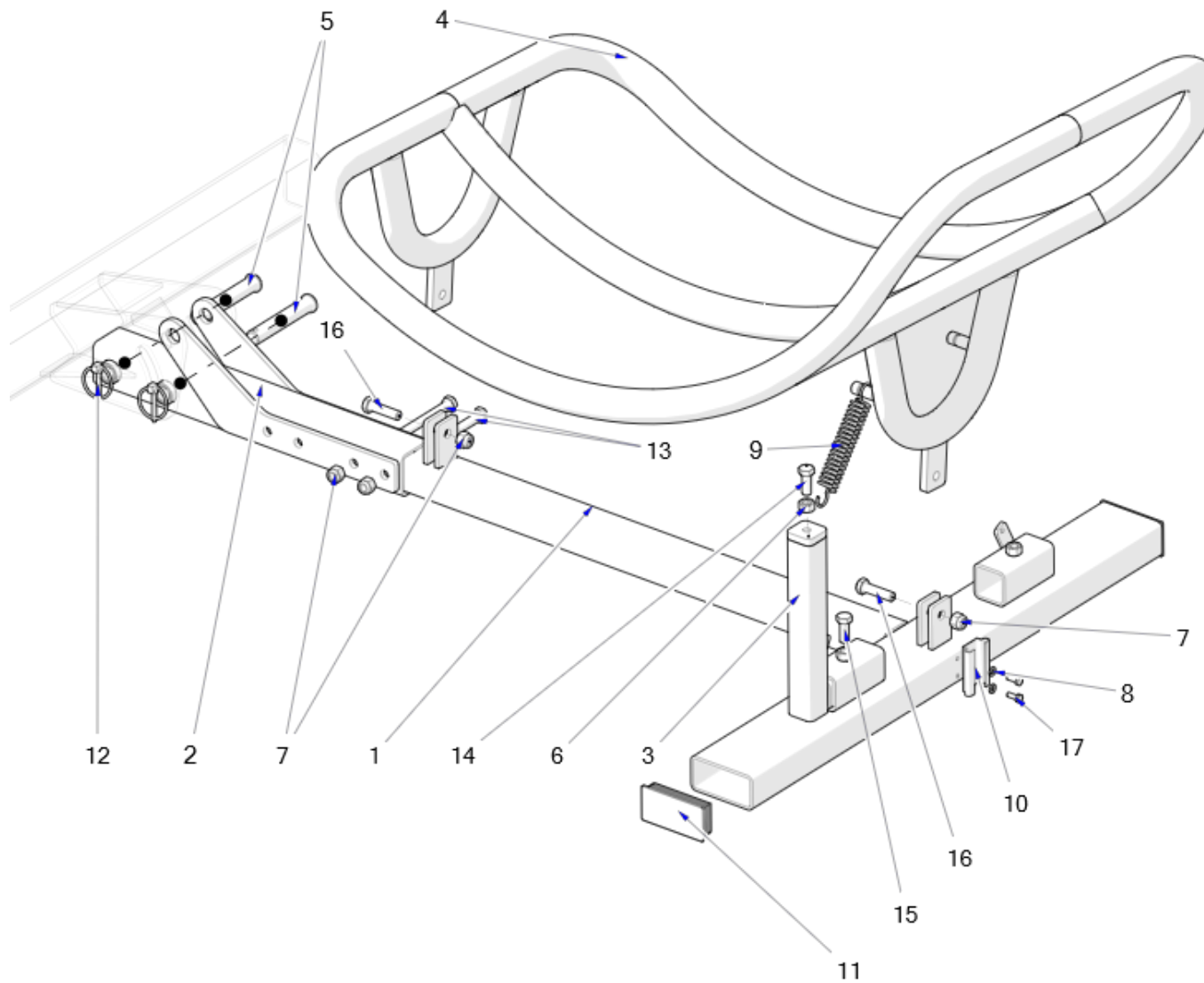


Tabela 6. Bale tipper

No.	Part or assembly No.	Index	Quantity
1	Lower frame	Z-552 19/01/2000	1
2	Suspension frame	Z-552 19/02/2000	1
3	Buffer	Z-552 19/03/2000	1
4	Holder	Z-552 19/04/2000	1
5	Pin	Z-552 19.00.05	2
6	Nut m12oc 82144 5 821445	23N12OC	1
7	Nut, self-locking m12oc 82175 8 82175 8	23NS12OC	4
8	Washer, round 6oc 82005 82005	23P6OOC	2
9	Tension spring 3/23/136/34 oc (maz-1771/B-1)	23SPN3/23/135 MAZ1771/1	1
10	SMV emblem mount	27UM	1
11	Stopper, square int. 100x50 mm black (TL-199195)	23WRP	2
12	Cotter pin with a ring 8	23PR8	2
13	Bolt 12x100oc 8.8 82101 82101	23S12/100OC 8.8	2
14	Bolt 12x25oc 8.8 82105 82105	23S12/25OC 8.8	1
15	Screw 12x30oc 8.8 82105 82105	23S12/30OC 8.8	1
16	Bolt 12x45oc 8.8 82101 82101	23S12/45 8.8OC.	2
17	Bolt 6x16oc 8.8 82105 82105 8.8	23S6/16 8.8OC	2

NOTES

A series of 20 horizontal dotted lines for taking notes.

A large rectangular area containing 20 horizontal dotted lines, intended for a parts list or index.



Metal-Fach Sp. z o.o. is constantly improving its products and adjusting its range to the needs of customers, so it reserves the right to make changes to the products without notice. Therefore, before making your purchase decision, please contact an authorised dealer or sales representative of Metal-Fach Sp. z o.o.

Metal-Fach Sp. z o.o. will not accept any complaints regarding the data and pictures contained in this catalogue, as the presented product range does not constitute an offer within the meaning of the Civil Code.

The pictures do not necessarily show standard accessories.

Original spare parts are available from authorised dealers, both in Poland and abroad, and also at the Metal-Fach retail outlet.

SERVICE

16-100 Sokółka, ul. Kresowa 62
Tel. +48 85 711 07 80; fax +48 85 711 07 93
serwis@metalfach.com.pl

SALES

16-100 Sokółka, ul. Kresowa 62
Tel. +48 85 711 07 80; fax +48 85 711 07 93
handel@metalfach.com.pl

SPARE-PARTS WHOLESALE STORE

ul. Kresowa 62, 16-100 Sokółka

Wholesale:

Tel. 85 711 07 81; fax 85,711 07 93
hurtownia@metalfach.com.pl

Spare parts - retail sales

24/7 PHONE +48 533 111 477
Phone +48 85 711 07 90
sklep.kontakt@metalfach.com.pl

CURRENT INFORMATION ABOUT OUR PRODUCTS CAN BE FOUND ON WWW.METALFACH.COM.PL

