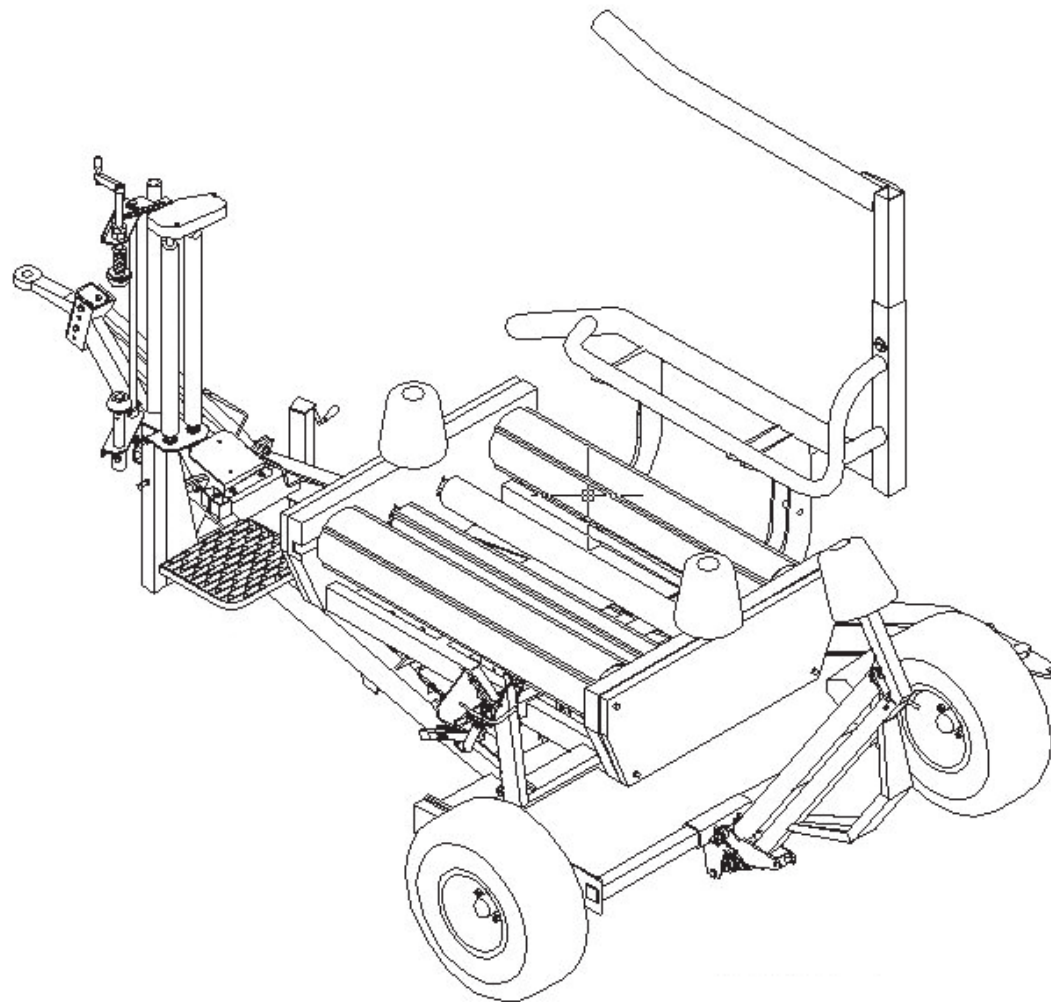


SPARE PARTS CATALOGUE
SELF-LOADING BALE WRAPPER
Z593

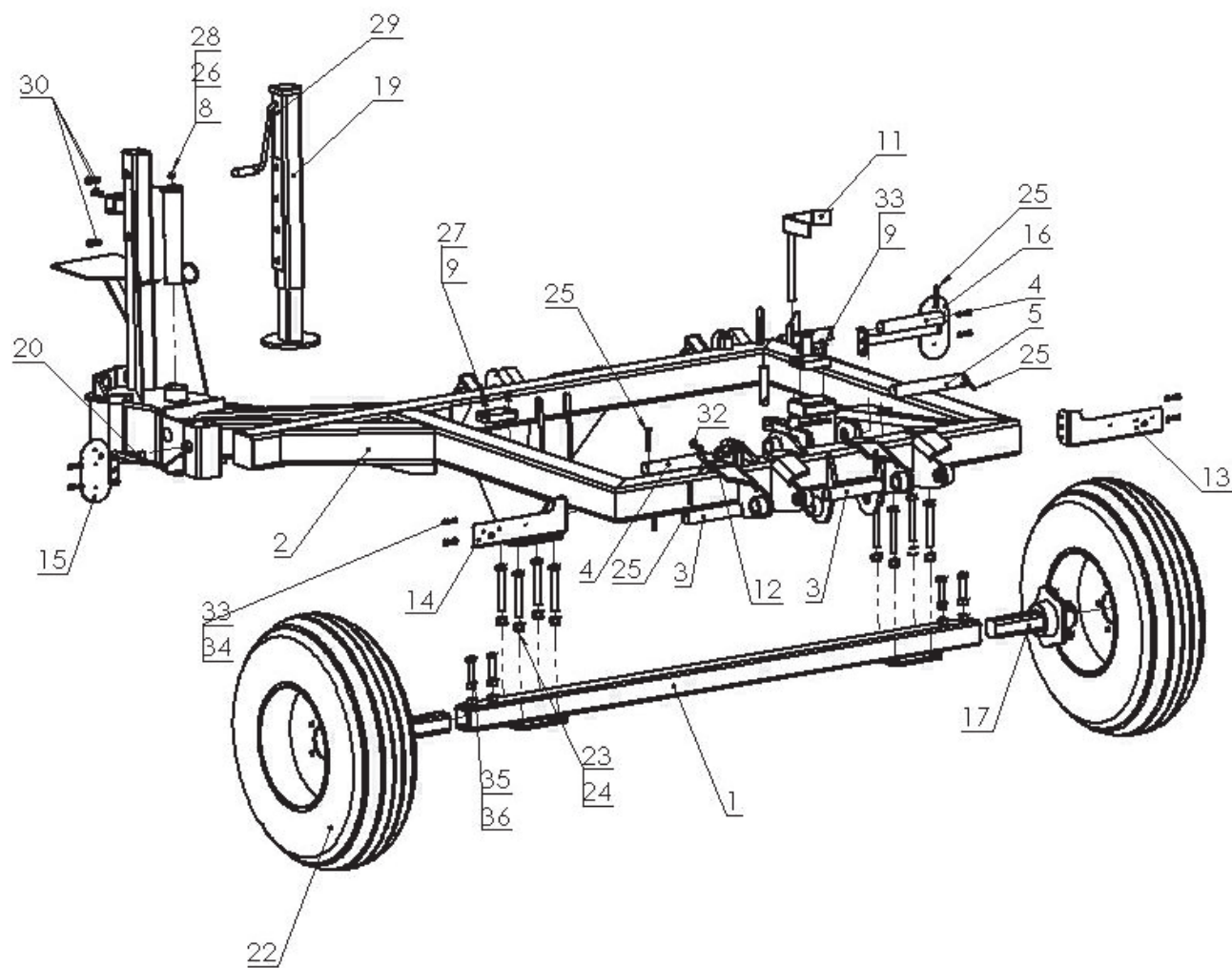


Edition 01/2011

LIST OF CATALOGUE ITEMS

No.	Table title	Page number
1.	Lower frame, set	4
2.	Movable frame, set	8
3.	Rotary frame, set	14
4.	Loading arm, set	24
5.	Bale positioning device	26
6.	Hitch, set	28
7.	Wrapping film feeder, set	30
8.	Hydraulic system	36
9.	Electrical system	44

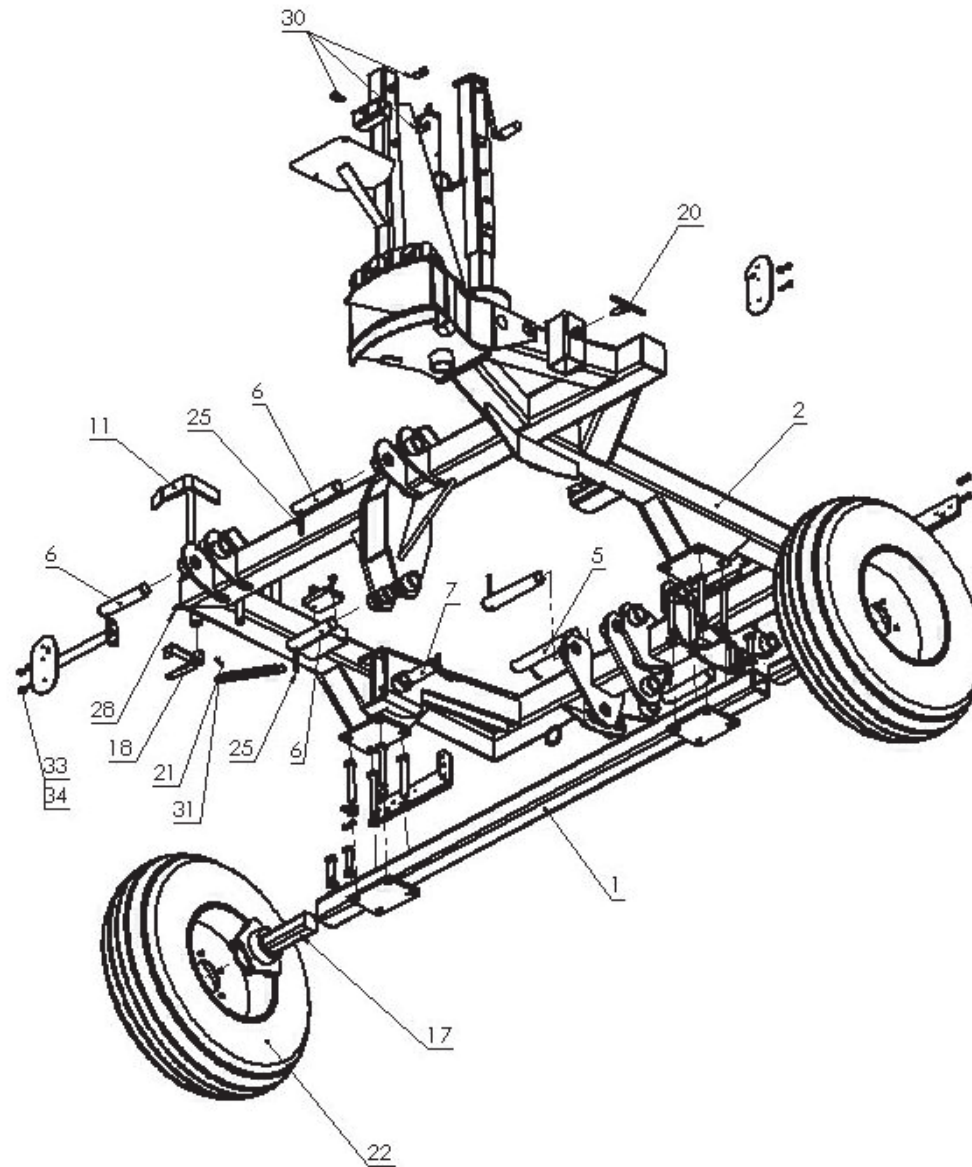
Lower frame, set
1/2



LOWER FRAME

No. in dwg	Assembly or part description	Drawing number or index	Amount
1	Axle, set	Z-593 01.01.00	1
2	Chassis frame	Z-593 01.02.00	1
3	Pin I	Z-593 01.00.03	2
4	Pin II	Z-593 01.00.04	2
5	Pin III	Z-593 01.00.05	1
6	Pin IV	Z-593 01.00.06	3
7	Pin V	Z-593 01.07.00	1
8	Hitch pin	Z-593 01.08.00	1
9	Rubber fender	POD-TSZ-000007-1	2
10			
11	Lever I	Z-593 01.11.00	1
12	Pin VI	Z-593 01.12.00	1
13	Rear lamp bracket I	Z-593 01.00.13	1
14	Rear lamp bracket II	Z-593 01.00.14	1
15	Front lamp bracket I	Z-593 01.00.15	1
16	Front lamp bracket II	Z-593 01.16.00	1
17	Axle shaft, S50JA0500200A0001001	Z-593 01.01.04	2
18	Lever II	Z-593 00.05.00	1

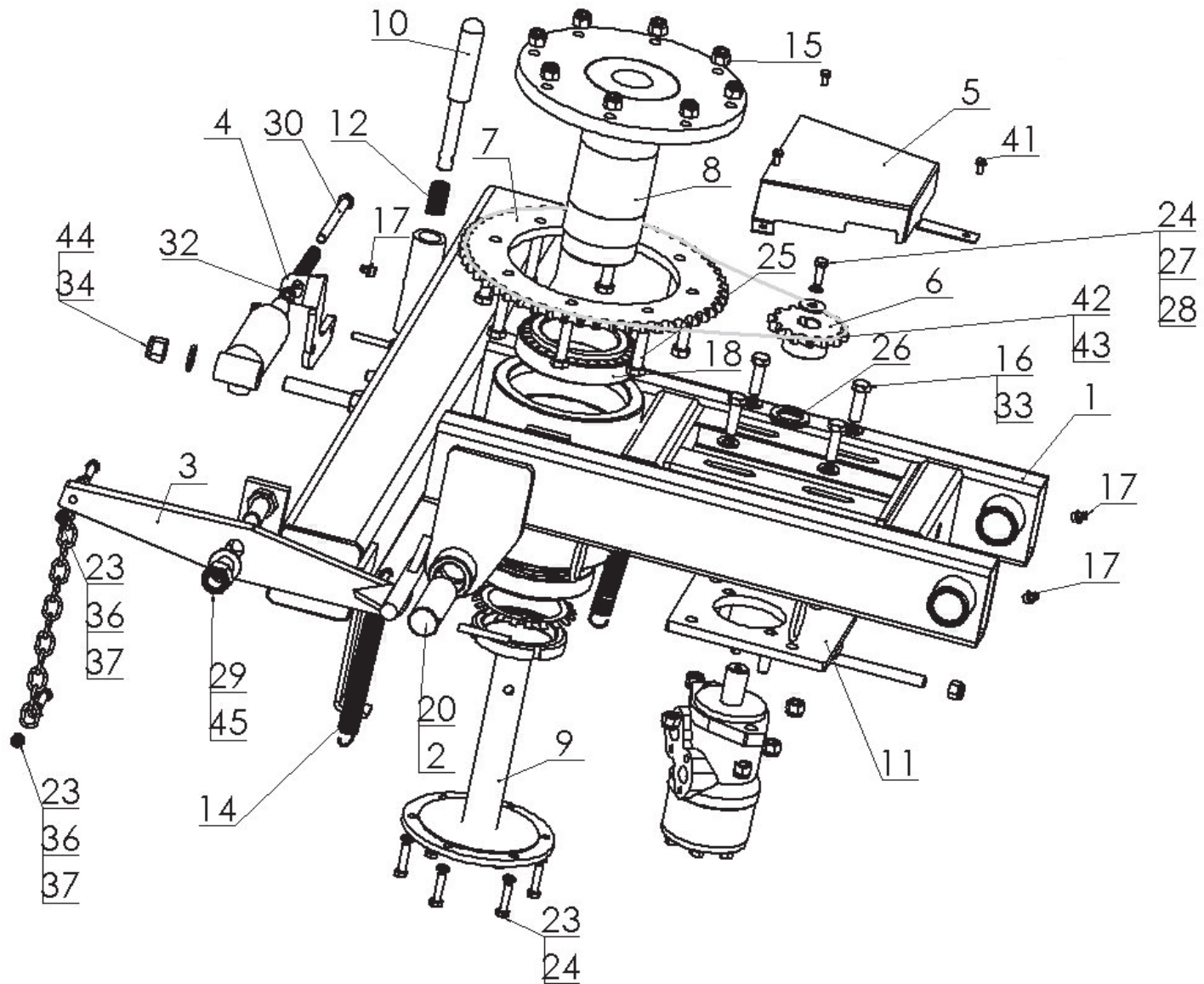
Lower frame, set
2/2



LOWER FRAME

No. in dwg	Assembly or part description	Drawing number or index	Quantity (pieces)
19	Foot, set	Z-237 00.28.00	1
20	Foot pressure element	Z-237 01.28.00	1
21	Spring II	23S1.5/20/160	1
22	Wheel, set	25K10.0/80-12 10PR	2
23	Bolt, M16x120 8.8 PN/M-82101	23S16/120 8.8 82101 OC	8
24	Nut, M16 PN/M-82175	23NS16OC	8
25	Spring pin, Ø8x60 PN/M-85023	POD-ELZ-000009-1	10
26	Spring pin, Ø8x70 PN/M-85023	POD-ELZ-000020-1	1
27			
28	Straight grease nipple, M10x1 PN/M-86002	23SM10/1	2
29	Straight grease nipple, M8x1 PN/M-86002	23SM8	1
30	Bolt, M12x30 8.8 PN/M-82105	23S12/30OC 8.8	3
31	Spring pin, Ø6x45 PN/M-85023	23K6/45	1
32	Spring cotter pin, single, Ø4 DIN 11024	23ZRFI4	1
33	Bolt, M8x16 8.8 PN/M-82105	23S8/16 8.8 82105 OC	10
34	Spring washer, M8 PN/M-82175	23P8SPOC	8
35	Bolt, M16x60 8.8 PN/M-82105	23S16/60	4
36	Nut, M16 PN/M-82144	23N16OC	4

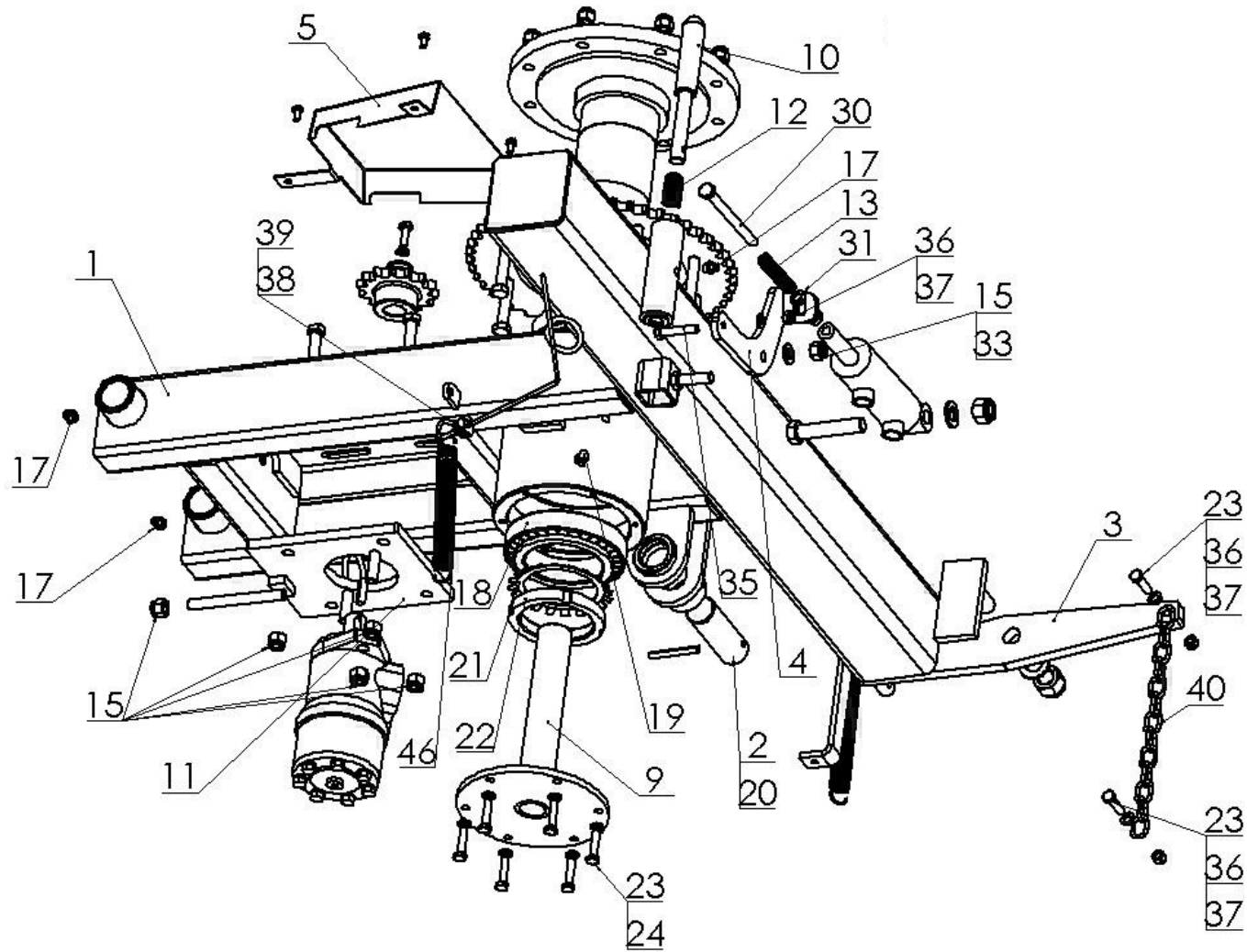
Movable frame, set
1/2



MOVABLE FRAME

No. in dwg	Assembly or part description	Drawing number or index	Quantity (pieces)
1	Movable frame	Z-593 02.0.00	1
2	Actuator pin	Z-593 02.00.02	1
3	Lever, set	Z-593 02.03.00	1
4	Lever III	Z-593 02.00.04	1
5	Gearbox guard	Z-593 02.00.05	1
6	Chain wheel, Z-14	25KLZ-237 00.00.12	1
7	Chain wheel, Z-50	25KLZ-237 00.00.14	1
8	Pin, set	25CZ-237 000.015.000	1
9	Axle, set	Z-237 00.16.00	1
10	Lock pin	Z-237 00.00.07	1
11	Engine support	Z-577 00.10.00	1
12	Spring I	23SPS2/17/75	1
13	Spring II	23S22	1
14	Spring II	23SP/2/20/200	1
15	Nut, M12 PN/M-82175	23NS12OC	16
16	Bolt, M12x40 8.8 PN/M-82105	23S12/40OC 8.8	4
17	Grease nipple, M10x1 PN/M-86002	23SM10/1	3

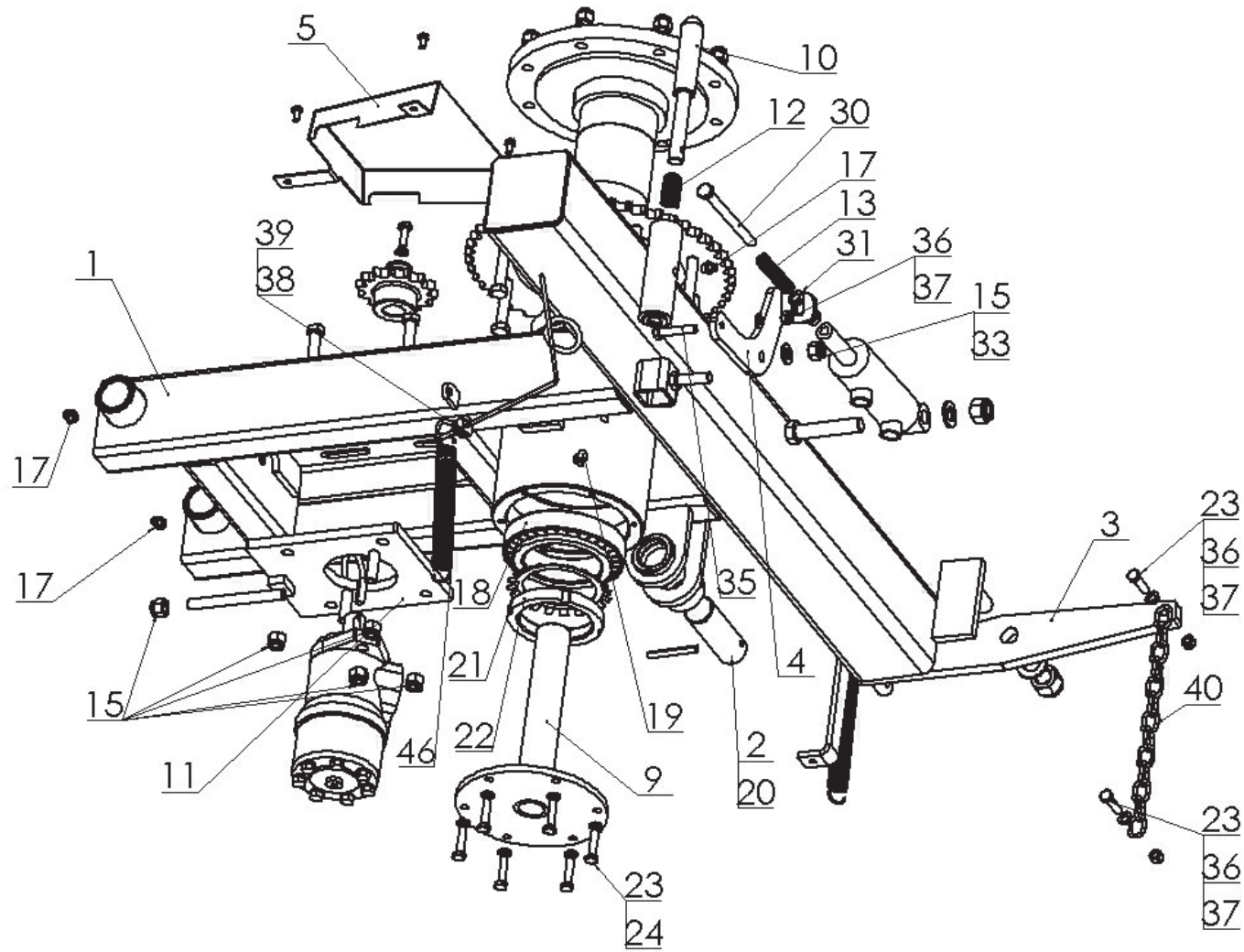
Movable frame, set
2/2



MOVABLE FRAME

No. in dwg	Assembly or part description	Drawing number or index	Quantity (pieces)
18	Cone bearing, 32018 XA	25L32018	2
19	Grease nipple, M10x1, 90° angle, PN/M-82003	23M10KAT90	1
20	Spring pin, Ø8x60 PN/M-85023	POD-ELZ-000009-1	1
21	Bearing washer, MB17	25PL	1
22	Bearing nut, KM17	25L17KM	1
23	Bolt, M8x35 8.8 PN/M-82105	23S8/35OC 8.8	6
24	Spring washer M8 PN/M-82008	23P8SPOC	7
25	Bolt, M12x60 8.8 PN/M-82101	23S12/60OC 8.8	8
26	Washer Ø30	Z-593 02.00.06	3
27	Washer, M10 PN/M-82030	23P10 OC030	1
28	Bolt, M8x25 8.8 PN/M-82105	23S8/25OC8.8	1
29	Washer, M20 PN/M-82175	23NS20OC 82175	1
30	Bolt, M10x130 8.8 PN/M-82101	23S10/130OC	1
31	Washer, M10 PN/M-82005	23P10 82005	1
32	Nut, M10 PN/M-82144	23N10OC	1
33	Washer, M12 PN/M-82005	23P12OC	5
34	Nut, M16 PN/M-82175	23NS16OC	1
35	Bolt, M8x45 8.8 PN/M-82105	23S8/45OC 8.8	1

Movable frame, set
2/2

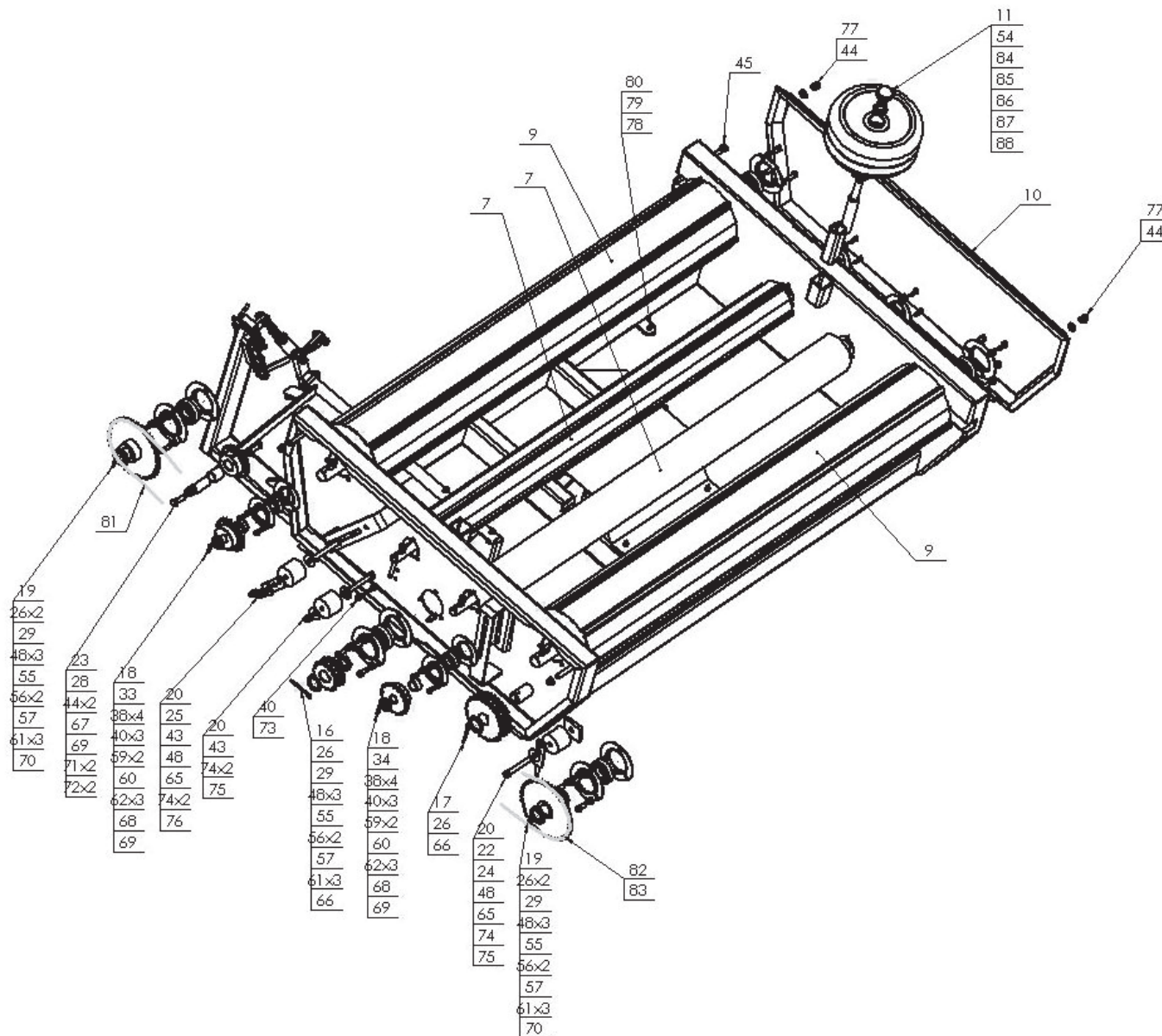


MOVABLE FRAME

No. in dwg	Assembly or part description	Drawing number or index	Quantity (pieces)
36	Washer, M8 PN/M-82005	23P8OOC	3
37	Nut M8 PN/M-82175	23NS8OC	3
38	Cable Ø4	23LS4	L=850 mm
39	Rope clamp	23ZL	2
40	Galvanised technical chain, 6.0x20.4x1.3 DIN766	POD-LAN-000051	L=750 mm
41	Self-tapping screw, 6.3x25, head for a wrench	28W6.3x25 OC	3
42	Roller chain 12B1, 63 links PN/M-84168	POD-LAN-000053	1
43	Straight fastening link, 12B1 PN/M-84168	POD-LAN-000004-1	1
44	Washer, M16 PN/M-82005	23P16OOC	1
45	Washer, M20 PN/M-82005	23P20OOC	1
46	Spring I	23S1.5/20/160	1

ROTARY FRAME, SET

1/3



ROTARY FRAME, SET

No. in dwg	Assembly or part description	Drawing number or index	Quantity (pieces)
1	Rotary frame	Z-593 03.01.00	1
2	Latch	Z-593 03.02.00	1
3	Latch II	Z-593 03.03.00	1
4	Rod, M12	Z-593 03.00.04	1
5	Pressure element, set	Z-593 03.05.00	1
6	Wheel drive shaft, Z-17	Z-593 03.00.06	1
7	Thin shaft	Z-593 03.08.00	2
8			
9	Thick shaft	Z-593 03.09.00	2
10	Side guard	Z-593 03.10.00	2
11	Side wheel bracket	Z-593 03.11.100	2
12	Tube, set	Z-237 33.03.100	1
13	Rod eye	Z-237 33.02.02	1
14	Spring II	23S1.5/10/80	1
15	Spring II	23SS3/22/230	1
16	Chain wheel, Z-17	25KLZ-237 33.00.12	1
17	Chain wheel, Z-27	25KLZ-237 33.00.16	1
18	Chain wheel, Z-19	25KLZ-237 33.17.00	2

ROTARY FRAME, SET

1/3

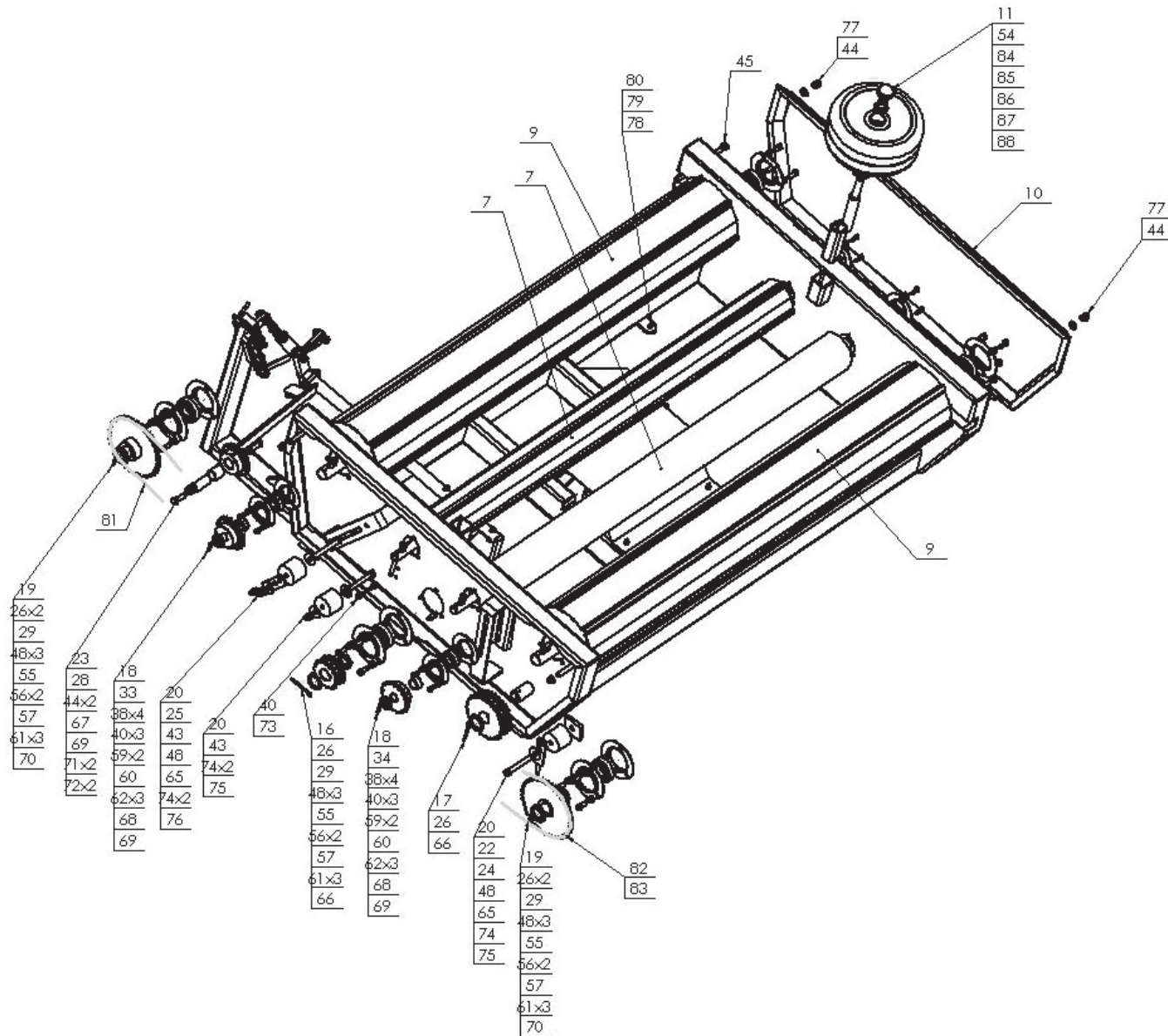


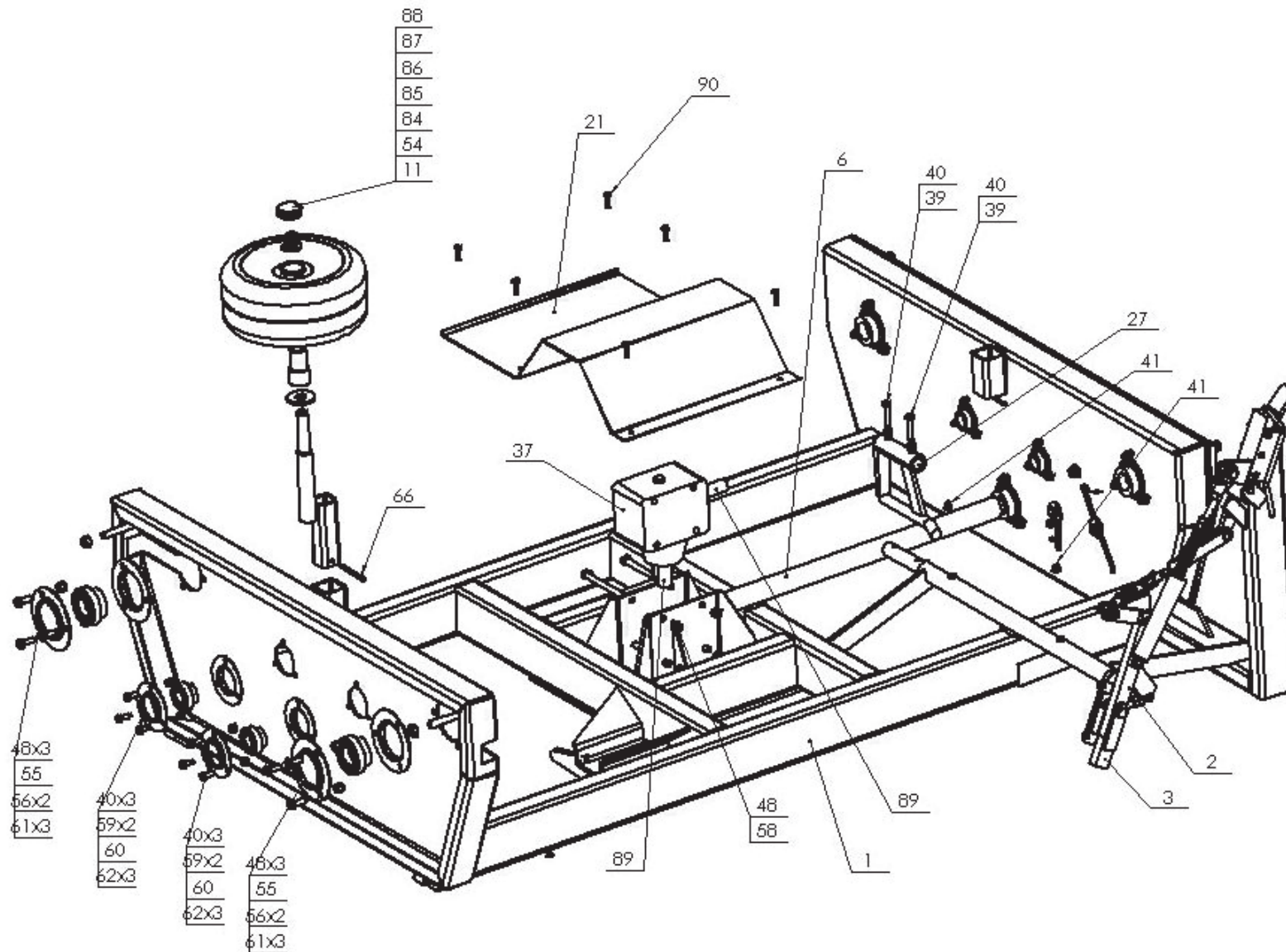
Table 3, continued

ROTARY FRAME, SET

No. in dwg	Assembly or part description	Drawing number or index	Quantity (pieces)
19	Wheel, Z-37	Z-237 33.17.00	2
20	Chain tensioner II	Z-237 33.00.27	3
21	Gearbox guard	Z-237 33.00.31	1
22	Block, M12	Z-237 33.00.32	1
23	Chain wheel, Z-19	25KLZ-237 33.00.48	1
24	Chain tensioner II	Z-237 33.64.00	1
25	Chain tensioner II	Z-237 33.66.00	1
26	Washer	Z-237 33.00.14	6
27	Cutter lever	Z-577 03.06.00	1
28	Wheel axle, Z-19	Z-237 33.00.10	1
29	Spacing bushing II	Z-237 33.00.13	3
30	Movable cutter holder	Z-577 03.17.51.1	1
31	Rod, set	Z-577 03.17.06	1
32	Initial pressure element	Z-577 03.17.80	1
33	Spacing bushing III	Z-237 33.00.22	1
34	Spacing bushing IV	Z-237 33.00.24	1
35	Fixed cutter	25NO	1
36	Movable cutter	25NO	1

ROTARY FRAME, SET

2/3



ROTARY FRAME, SET

No. in dwg	Assembly or part description	Drawing number or index	Quantity (pieces)
37	Intersecting axis gear, 1:1.9	25PPS	1
38	Washer V	Z-237 33.00.25	8
39	Bolt, M8x45 8.8 PN/M-82105	23S8/45OC 8.8	2
40	Nut M8 PN/M-82175	23NS8OC	20
41	Straight grease nipple, M6x1 PN/M-86002	23SM	2
42	Bolt, M12x50 8.8 PN/M-82105	23S12/50OC	1
43	Nut, M12 PN/M-82175	23NS12OC	5
44	Washer, M12 PN/M-82005	23P12OC	10
45	Nut, M12 PN/M-82144	23N12OC	8
46	Bolt, M12x60 8.8 PN/M-82101	23S12/60OC 8.8	1
47	Bolt, M10x45 8.8 PN/M-82105	23S10/45OC	2
48	Nut, M10 PN/M-82175	23NS10OC	23
49	Bolt, M8x70 8.8 PN/M-82101	23S8/70OC	1
50	Bolt, M6x60 8.8 PN/M-82101	23S6/60OC 8.8	3
51	Nut, M6 PN/M-82144	23N6OC	5
52	Bolt, M6x20 8.8 PN/M-82105	23S6/20	2
53	Washer, M8 PN/M-82005	23P8OOC	2
54	Washer, M20 PN/M-82030	POD-ELZ-000459	2

Table 3, continued

ROTARY FRAME, SET

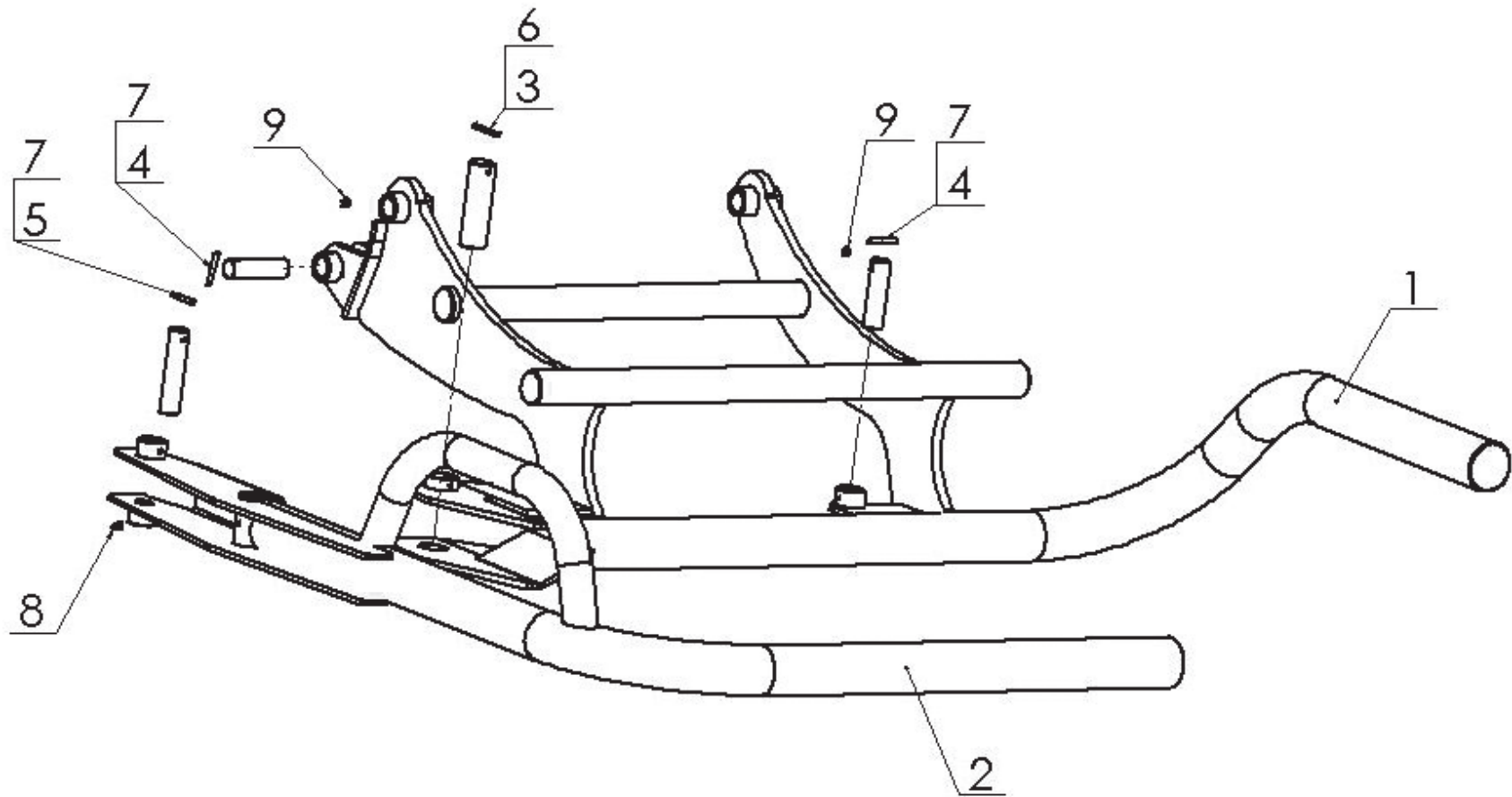
No. in dwg	Assembly or part description	Drawing number or index	Quantity (pieces)
55	Bearing, FD207 2RS	25L207	5
56	Bearing holder, P-207	25OP207	10
57	Parallel key, 10x8x36 PN/M-85005	23WP10/8/36	3
58	Bolt, M10x120 8.8 PN/M-82101	23S10/120OC	4
59	Bearing holder, P-205	25OP205	8
60	Bearing, FD205 2RS	25L205	4
61	Bolt, M10x20 8.8 PN/M-82105	23S10/20OC 8.8	15
62	Bolt, M8x20 8.8 PN/M-82105	23S8/20OC 8.8	12
63	Bolt, M8x25 8.8 PN/M-82105	23S8/25OC8.8	2
64	Nut, M8 PN/M-82144	23N8OC	1
65	Washer, M10 PN/M-82005	23P10 82005	4
66	Cotter pin, Ø6.3x63 PN/M-82001	23Z6/63	4
67	Self-lubricating bush, 25H7/32.6x35	25T25/32,6/35	1
68	Parallel key, 8x7x25 PN/M-85005	23WP8/7/25	2
69	Spring pin, Ø6x32 PN/M-85023	23K6/32	3
70	Spring pin, Ø6x45 PN/M-85023	23K6/45	2
71	Washer, M12 PN/M-82008	23P12SP	2
72	Bolt, M12x35 8.8 PN/M-82105	23S12/35OC 8.8	2

Table 3, continued

ROTARY FRAME, SET

No. in dwg	Assembly or part description	Drawing number or index	Quantity (pieces)
73	Bolt, M8x35 8.8 PN/M-82105	23S8/35OC 8.8	1
74	Washer, M12 PN/M-82030	23P12OOC	5
75	Bolt, M12x90 8.8 PN/M-82101	23S12/90 101OC	2
76	Bolt, M12x100 8.8 PN/M-82101	23S12/100OOC 8.8	1
77	Nut, M12 PN/M-82181	23N12KOL	4
78	Sensor magnet	25MG	1
79	Bolt, M6x25 PN/M-82208	23W6/25OC	1
80	Nut, M6 PN/M-82175	23NS6OC	1
81	Roller chain, 10B-1-99 WZ PN77/M-84168	25LO10B1 99OGN.	1
82	Roller chain, 10B-1-93 PN77/M-84168	25LO10B1 93OGN	1
83	Straight fastening link, 10B1 PN77/M-84168	25LO10P	1
84	Side wheel	Z-552 05.02.00	2
85	Wheel bushing	Z-552 05.00.03	2
86	Washer, M20 PN/M-82005	23P20OOC	2
87	External Seger ring, Z-20 PN/M-85111	23SZ20	2
88	Plug, Ø45 mm 111610	POD-TSZ-000066	2
89	Parallel key, 8x7x32 PN/M-85005		2
90	Self-tapping screw, 6.3x25, head for a wrench	28W6.3x25 OC	6

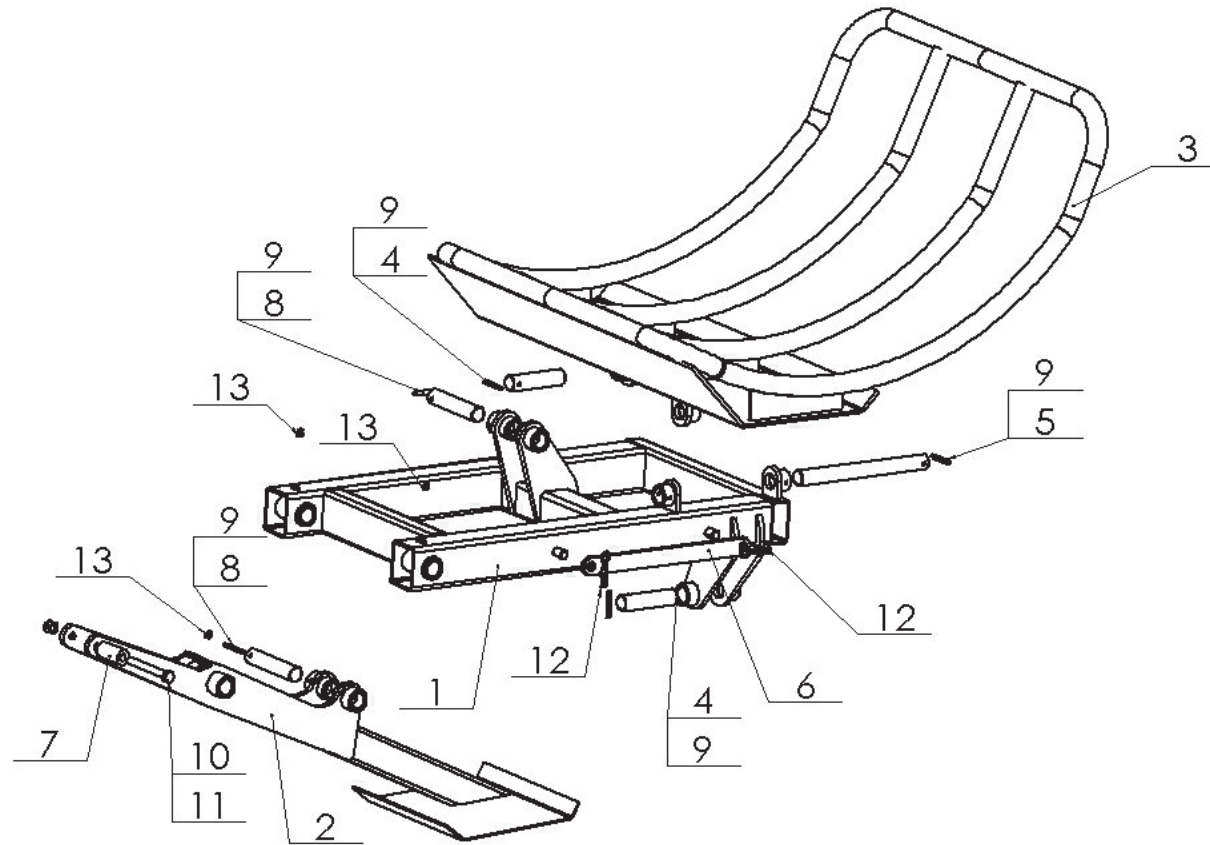
LOADING ARM, SET



LOADING ARM, SET

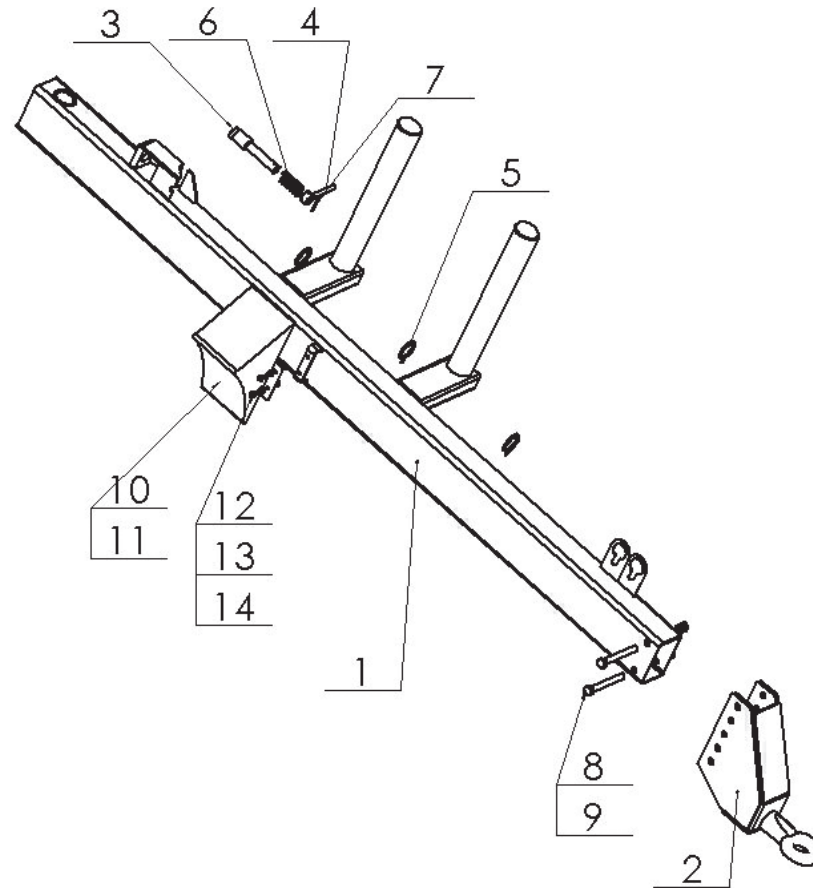
No. in dwg	Assembly or part description	Drawing number or index	Quantity (pieces)
1	Arm I	Z-593 04.01.00	1
2	Arm II	Z-593 04.02.00	1
3	Pin I	Z-593 04.00.03	1
4	Pin II	Z-593 04.00.04	2
5	Pin III	Z-593 04.00.05	1
6	Spring pin, Ø8x70 PN/M-82023	POD-ELZ-000020-1	1
7	Spring pin, Ø8x60 PN/M-82023	POD-ELZ-000009-1	3
8	Straight grease nipple, M10x1 PN/M-86002	23SM10/1	1
9	Straight grease nipple, M6x1 PN/M-86002	23SM	2

BALE POSITIONING DEVICE



BALE POSITIONING DEVICE			
No. in dwg	Assembly or part description	Drawing number or index	Quantity (pieces)
1	Device arm	Z-593 05.01.00	1
2	Foot	Z-593 05.02.00	1
3	Cradle	Z-593 05.03.00	1
4	Pin I	Z-593 05.00.04	2
5	Cradle pin	Z-593 05.00.05	1
6	Protection	Z-593 05.00.06.1	1
7	Roller	Z-593 05.00.07	1
8	Pin IV	Z-593 01.00.06	2
9	Spring pin, Ø8x60 PN/M-85023	POD-ELZ-000009-1	5
10	Bolt, M16x140 8.8 PN/M-82101	23S16/140OC 8.8	1
11	Nut, M16 PN/M-82175	23NS16OC	1
12	Spring cotter pin, single, Ø4 DIN 11024	23ZRFI4	2
13	Straight grease nipple, M10x1 PN/M-86002	23SM10/1	3

HITCH, SET

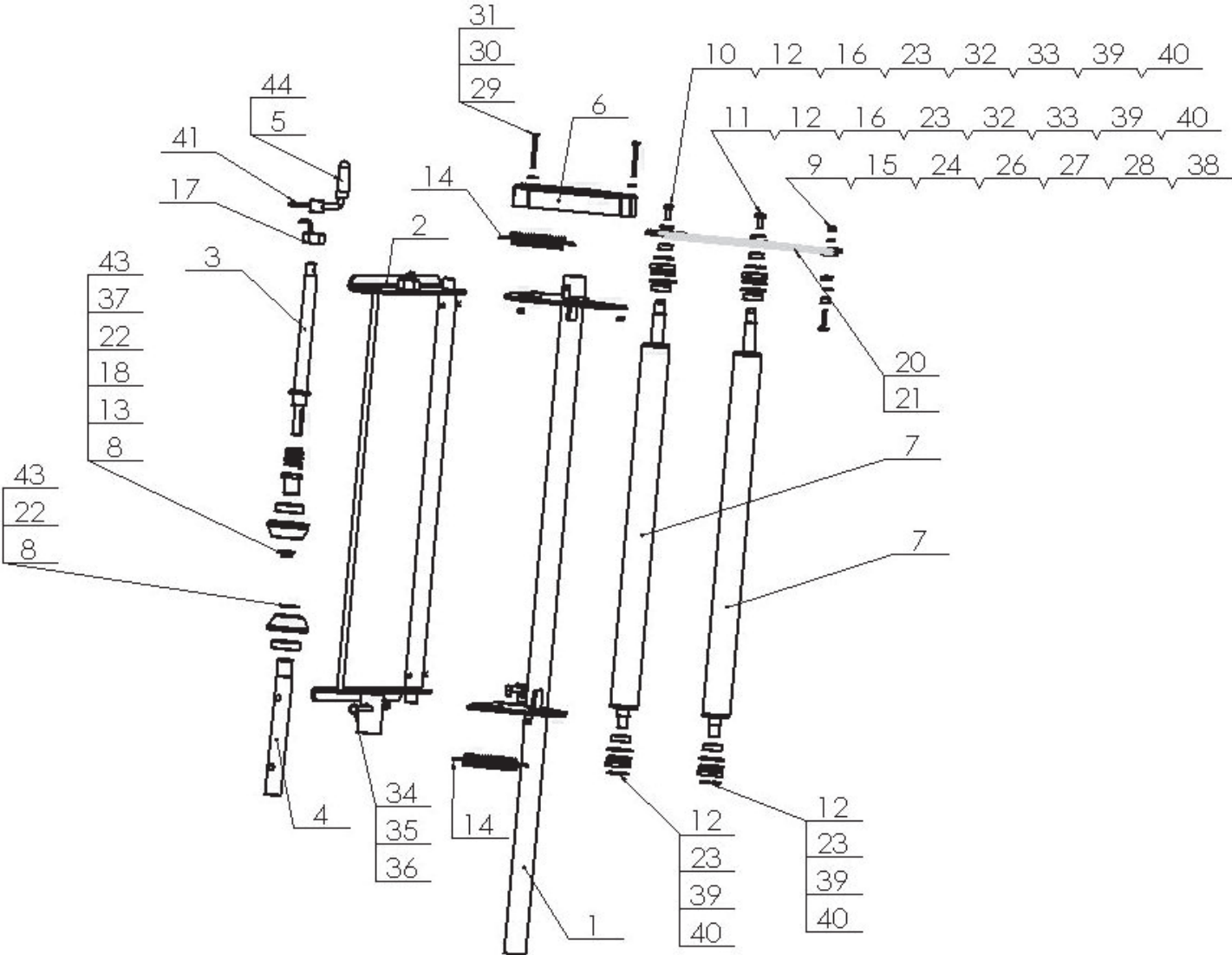


HITCH, SET

No. in dwg	Assembly or part description	Drawing number or index	Quantity (pieces)
1	Hitch I	Z-593 06.01.00	1
2	Hitch II	Z-593 06.02.00	1
3	Locking pin	Z-593 06.00.03	1
4	Handle	Z-593 06.04.00	1
5	Fixing element	Z-593 06.05.00	3
6	Lock spring	POD-SPR-000050	1
7	Spring pin, Ø6x40 PN/M-85023	23K6/40	1
8	Bolt, M16x140 8.8 PN/M-82101	23S16/140OC 8.8	2
9	Nut, M16 PN/M-82175	23NS16Oc	2
10	Wheel chock	POD-OGL-000027-1	1
11	Chock handle	POD-OGL-000028-1	1
12	Bolt, M8x20 8.8 PN/M-82105	23S8/20OC 8.8	4
13	Washer, M8 PN/M-82005	23POOC	4
14	Nut M8 PN/M-82175	23NS8OC	4

WRAPPING FILM FEEDER, SET

1/2

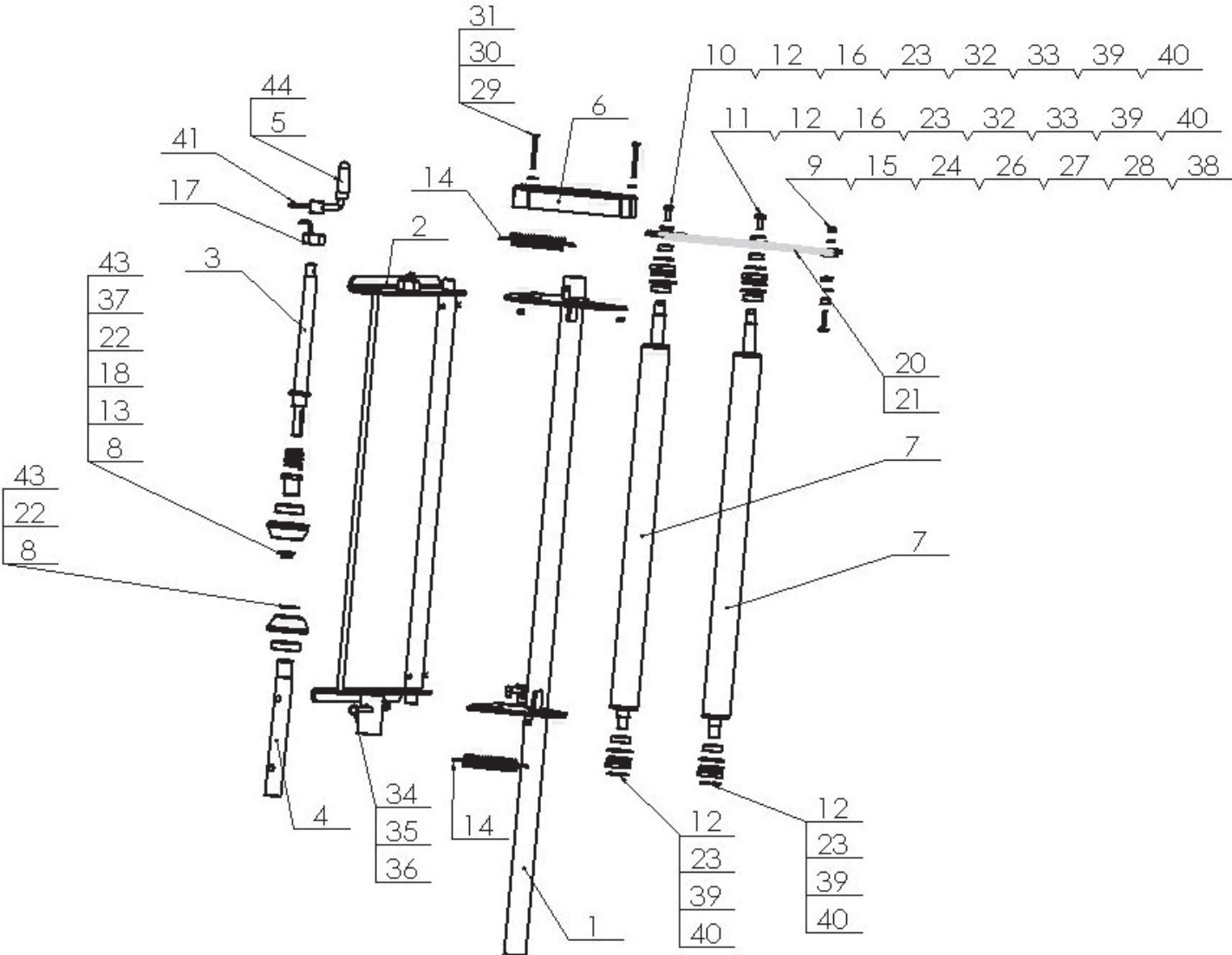


WRAPPING FILM FEEDER, SET

No. in dwg	Assembly or part description	Drawing number or index	Quantity (pieces)
1	Mounting bracket	Z-593 07.01.00	1
2	Wrapping film bracket, set	Z-593 02.02.00	1
3	Adjusting screw, ver. 2	25OSRZ-560 02.36.00/1	1
4	Lower roll	25WDZ-560 02.00.35/1	1
5	Handle, set	Z-560 02.37.00.1	1
6	Cover	POD-TSZ-000033	1
7	Stretcher roll, set	Z-560 02.24.00	2
8	Upper pressure element	Z-560 02.00.41.1	2
9	Chain wheel, Z-11	25KLZ-560 02.00.09	1
10	Chain wheel, Z-21	25KLZ-560 02.00.32	1
11	Chain wheel, Z-12	25KLZ-560 02.00.030	1
12	Roll holder	25ZSZ-577 02.00.25	4
13	Feeder spring II	23S4/32/50	1
14	Spring I	23SPN3/23/135 MAZ1771/1	2
15	Spacing bushing II	25ZSZ-577 02.00.08	1
16	Spacing bushing III	25TDZ-560 02.00.26	2
17	Locknut, M27	Z-560 02.38.00	1
18	Bushing	25TZ-560 02.00.31	1

WRAPPING FILM FEEDER, SET

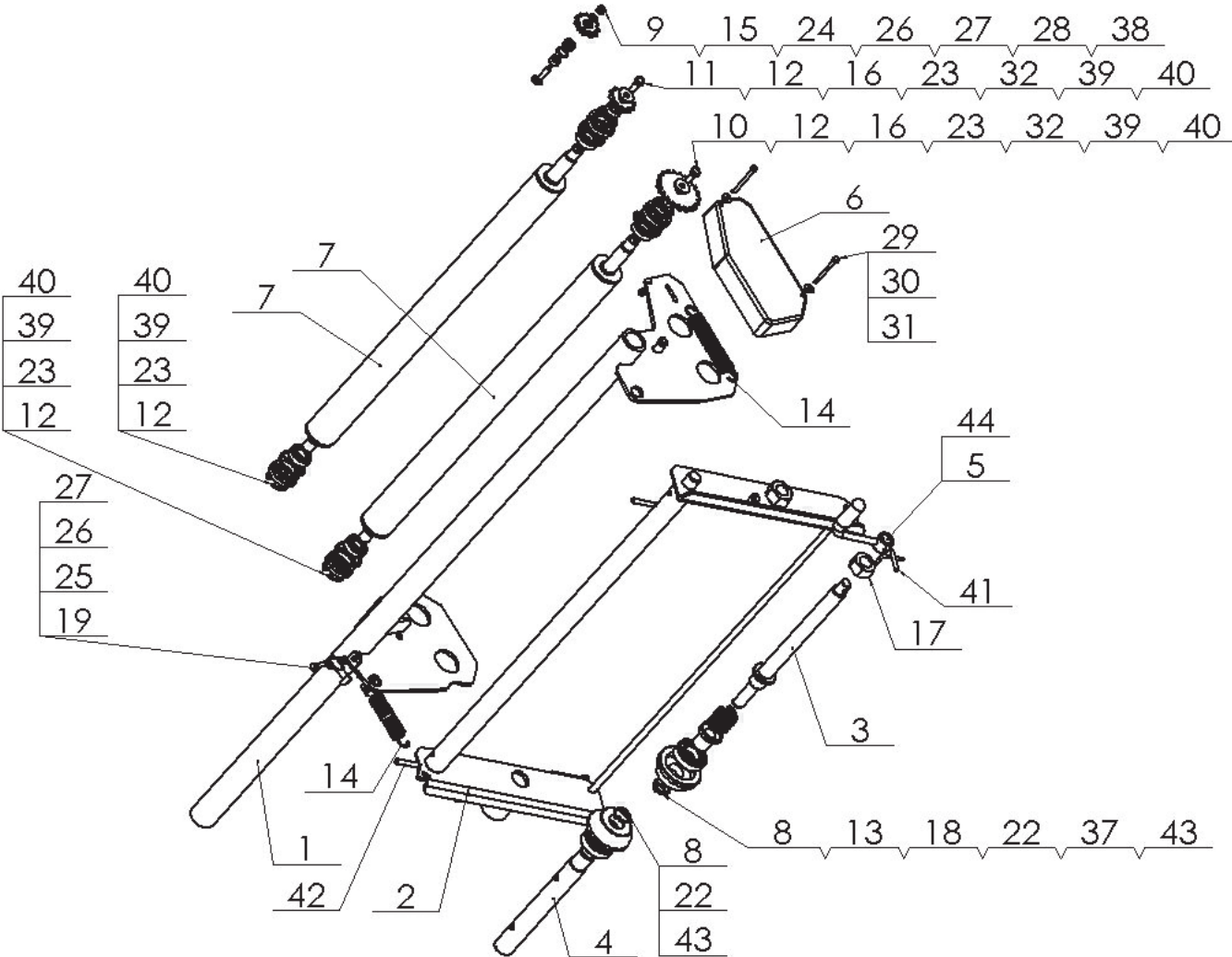
1/2



WRAPPING FILM FEEDER, SET			
No. in dwg	Assembly or part description	Drawing number or index	Quantity (pieces)
19	Lock	Z-560 02.00.04	1
20	Roller chain, 08B-1-43 PN77/M-84168	25LO08B1 43OGN	1
21	Straight fastening link, 08B1 PN77/M-84168	25LO08P	1
22	Bearing, 6206 2RS	25L6206	2
23	Bearing, 6004 2RS	25L6004	4
24	Bearing, 608 2RS	25L608 2RS	1
25	Bolt, M8x30 8.8 PN/M-82105	23S8/30OC 8.8	1
26	Nut M8 PN/M-82175	23NS8OC	2
27	Washer, M8 PN/M-82005	23P8OOC	2
28	Bolt, M8x40 8.8 PN/M-82406	23S8/40P	1
29	Bolt, M6x60 8.8 PN/M-82101	23S6/60OC 8.8	2
30	Nut, M6 PN/M-82175	23NS6OC	2
31	Washer, M6 PN/M-82030	23P6OC030	2
32	Bolt, M10x25 8.8 PN/M-82105	23S10/25OC 8.8	2
33	Washer, M10 PN/M-82030	23P10 OC030	2
34	Bolt, M12x70 8.8 PN/M-82101	23S12/70OC 8.8	1
35	Nut, M12 PN/M-82175	23NS12OC	1
36	Washer, M12 PN/M-82005	23P12OC	1

WRAPPING FILM FEEDER, SET

2/2



WRAPPING FILM FEEDER, SET

No. in dwg	Assembly or part description	Drawing number or index	Quantity (pieces)
37	External Seger ring, Z-20 PN/M-85111	23SZ20	1
38	Internal Seger ring, W-22 PN/M-85111	23SW22	1
39	Internal Seger ring, W-42 PN/M-85111	23SW42	4
40	External Seger ring, Z-50 PN/M-85111	23SZ50	4
41	Spring pin, Ø6x45 PN/M-85023	23K6/45	1
42	Spring pin, Ø8x50 PN/M-85023	23K8/50	2
43	External Seger ring, Z-30 PN/M-85111	23SZ30	2
44	Holder grip	25RP	1

Hydraulic system

1/4

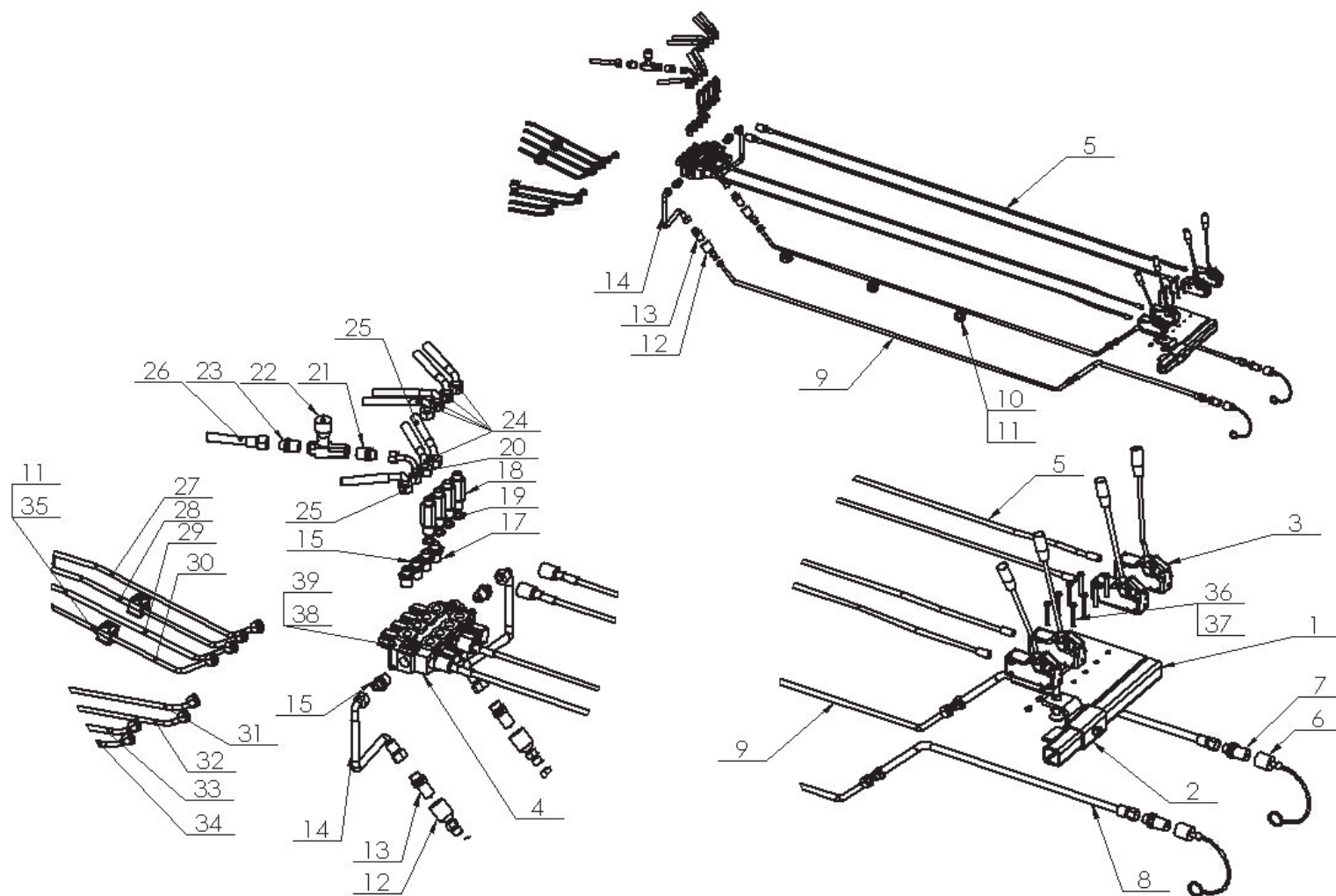


Table 8

HYDRAULIC SYSTEM

No. in dwg	Assembly or part description	Drawing number or index	Quantity (pieces)
1	Lever bracket	Z-593 08.06.00	1
2	DCV grip	Z-237 00.54.00	1
3	Control lever to cable	24DZS	4
4	MD4 directional control valve to cable	24R4-SEK.	1
5	Control cable, L-4500	POD-HPR-000142	4
6	Euro plug valve cap	24ZWNE13	4
7	Euro 13 valve-plug, M18x1.5	24ZWE13-M18X1.5	2
8	Hydraulic line AB/111/10 L=1500	POD-HPR-000329	2
9	Steel hydraulic line, Z593 00.00.28 L=1960	POD-HPR-000288	2
10	HBK Ø12 holder – double	POD-HPZ-000010-1	3
11	Bolt, M6x50 PN/M-82101 8.8	23S6/50OC	22
12	Euro valve-plug, M18x1.5	24ZG M18/1.5	2
13	Euro 13 valve-plug, M22x1.5	24ZWE13	2
14	Hydraulic line AA90/141/10 L=600	POD-HPR-000133	2
15	Straight coupling, 1/2"x18-1.5	24KP1/2 18	3
16			
17	Straight coupling, 1/2"x16-1.5	24KP1/2 16	5
18	Straight coupling, 1/2"-16-1.5 L-59	24K1/2-16X1.5 L-59	4

Hydraulic system

2/4

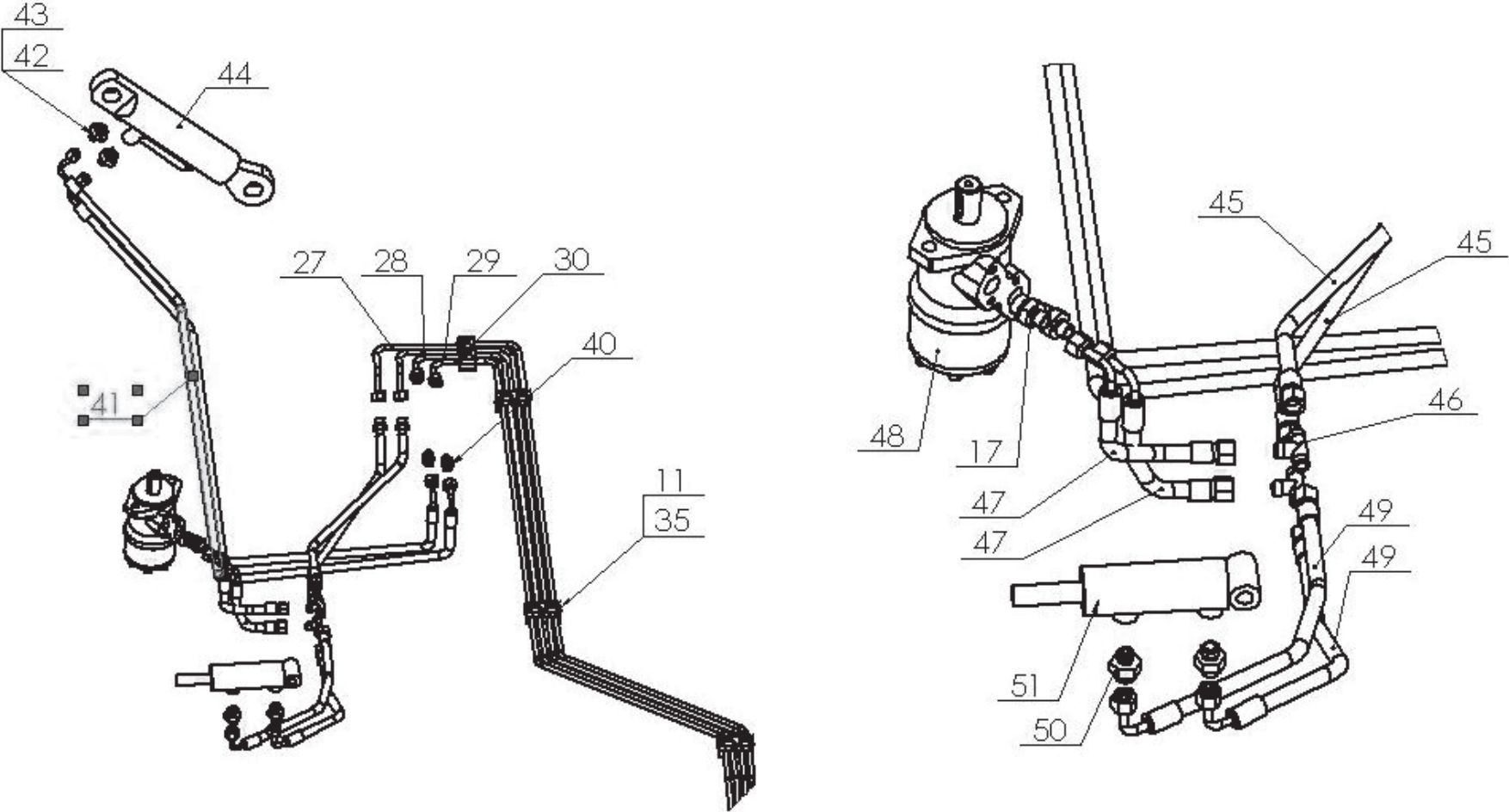


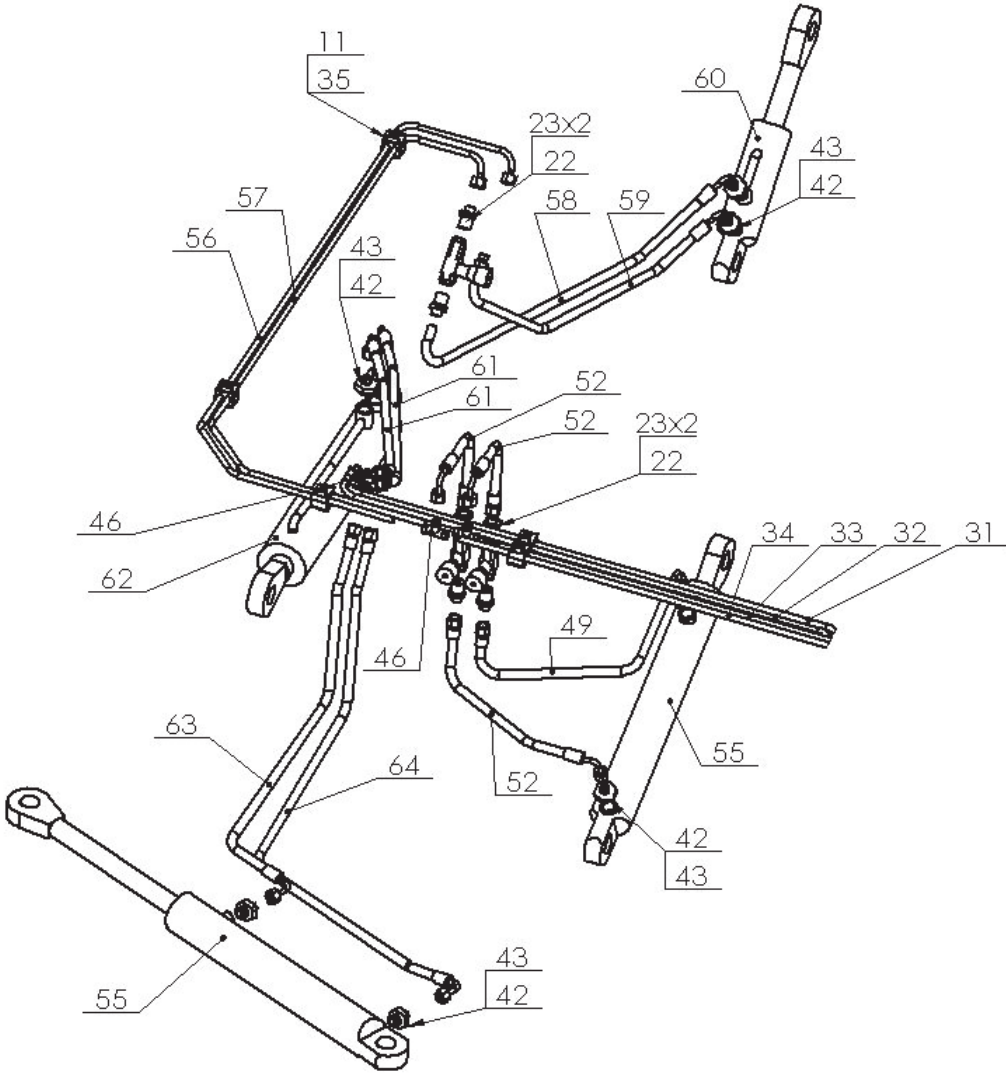
Table 8, continued

HYDRAULIC SYSTEM

No. in dwg	Assembly or part description	Drawing number or index	Quantity (pieces)
19	O-ring, PPM 1/2"	POD-HPZ-000044-1	4
20	Elbow female union piece, 18/18x1.5	24KZ18/18	1
21	Straight coupling, 3/8"x18-1.5	23KP3/8 18	1
22	Throttle-check valve, VRFU 90-3/8	24ZD	4
23	Straight coupling, 3/8"x16-1.5	24KP3/8 16	7
24	Hydraulic line A90B/111/8 L=800	POD-HPR-000136	5
25	Hydraulic line A90B/111/8 L=750	POD-HPR-000140	2
26	Hydraulic line AB/111/8 L=650	POD-HPR-000139	1
27	Steel hydraulic line, Z593 00.00.26 L=2330	POD-HPR-000336	1
28	Steel hydraulic line, Z593 00.00.27 L=2230	POD-HPR-000337	1
29	Steel hydraulic line, Z593 00.00.30 L=2130	POD-HPR-000338	1
30	Steel hydraulic line, Z593 00.00.31 L=2060	POD-HPR-000289	1
31	Steel hydraulic line, Z593 00.00.24 L=1620	POD-HPR-000334	1
32	Steel hydraulic line, Z593 00.00.25 L=1660	POD-HPR-000335	1
33	Steel hydraulic line, Z593 00.00.23 L=1275	POD-HPR-000333	1
34	Steel hydraulic line, Z593 00.00.22 L=1335	POD-HPR-000332	1
35	HBK Ø10 holder – double	POD-HPZ-000029-1	19
36	Bolt, M6x60 PN/M-82101 8.8	23S6/60OC 8.8	8

Hydraulic system

3/4

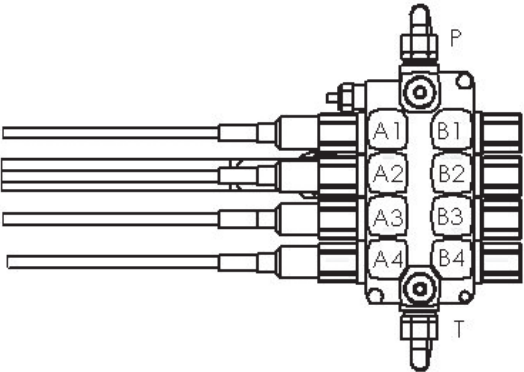


HYDRAULIC SYSTEM

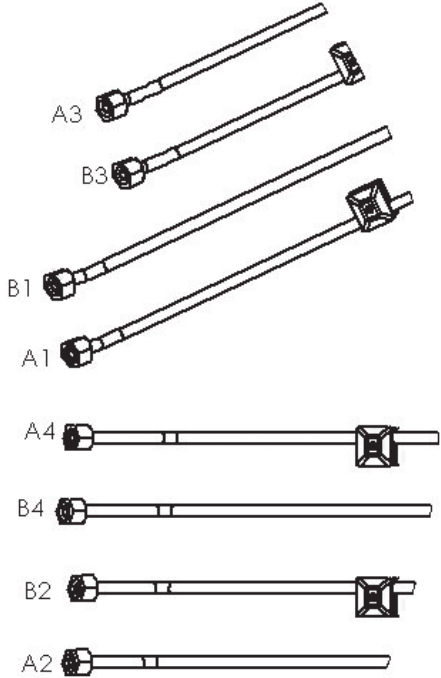
No. in dwg	Assembly or part description	Drawing number or index	Quantity (pieces)
37	Nut, M6 PN/M-82175	23NS6OC	8
38	Bolt, M8x60 PN/M-82101 8.8	23S8/60OC 8.8	2
39	Nut M8 PN/M-82175	23NS8OC	2
40	Straight coupling, 16x16-1.5 10L	POD-HKR-000083	2
41	Hydraulic line A90A90/111/8 L=1600 K180°	POD-HPR-000137	2
42	Straight coupling, 22x16-1.5	POD-HKR-000004-1	10
43	O-ring, PPM 22	24UPPM22	10
44	Actuator, CJ2F-63/36/144	POD-HSL-000019-1	1
45	Hydraulic line AB/111/8 L=550	POD-HPR-000131	2
46	T-connection coupling, 16x16x16	24KT16/16/16	6
47	Hydraulic line AA90/111/8 L=300	POD-HPR-000150	2
48	Hydraulic motor, 200	24S200	1
49	Hydraulic line AA90/111/8 L=600	POD-HPR-000132	3
50	Straight coupling, 18x16-1.5	POD-HKR-000076	2
51	Actuator, CJ2F40/22/65	24SCJ2F40/22/65	1
52	Hydraulic line AA90/111/8 L=550	POD-HPR-000141	3
53			
54			

Hydraulic system

4/4



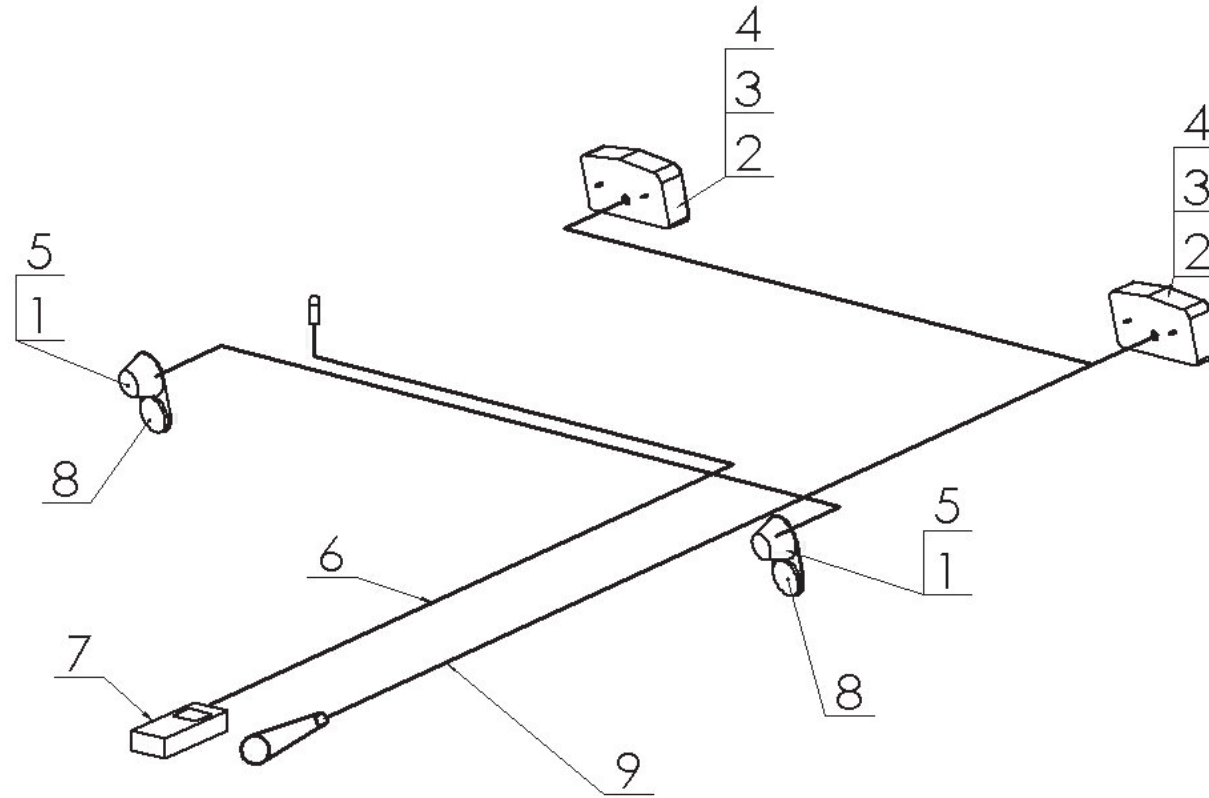
A1, A2, A3, A4, B3 – hydraulic line no. 24
B1, B4 – hydraulic line no. 25
B2 – hydraulic line no. 26



HYDRAULIC SYSTEM

No. in dwg	Assembly or part description	Drawing number or index	Quantity (pieces)
55	Actuator, CJ2F63/36/320z	24SCJ2F63/36/320z	2
56	Steel hydraulic line, Z593 00.00.20 L=1740	POD-HPR-000330	1
57	Steel hydraulic line, Z593 00.00.21 L=1670	POD-HPR-000331	1
58	Hydraulic line AA90/111/8 L=1100	POD-HPR-000135	1
59	Hydraulic line A90B/111/8 L=1000	POD-HPR-000138	1
60	Actuator, CJ2F-63/36/200	POD-HSL-000020-1	1
61	Hydraulic line, AA90/111/8 L=750	POD-HPR-000149	2
62	Actuator, UCJ160-80/45/320	POD-HSL-000037	1
63	Hydraulic line AA90/111/8 L=900	POD-HPR-000134	1
64	Hydraulic line AA90/111/8 L=1300	POD-HPR-000287	1

Electrical system



ELECTRICAL SYSTEM

No. in dwg	Assembly or part description	Drawing number or index	Quantity (pieces)
1	Front parking lamp, E92D	26LP	2
2	Tail cluster lamp, LT-90	26LT	2
3	Light bulb, 12V 21/5W	26Z12V21/5W	2
4	Light bulb, 12V21W	26Z12V21W	2
5	Light bulb, 12V5W	26Z12V5W	2
6	Counter cable, L-02 6.5m XLR Z593	POD-ELK-000070	1
7	Counter, L-02 XLR Z-237, Z-577	POD-ELK-000073	1
8	White round reflective light	POD-ELK-000089	2
9	Electric wires bundle	POD-ELK-000141	1