



**METAL-FACH**



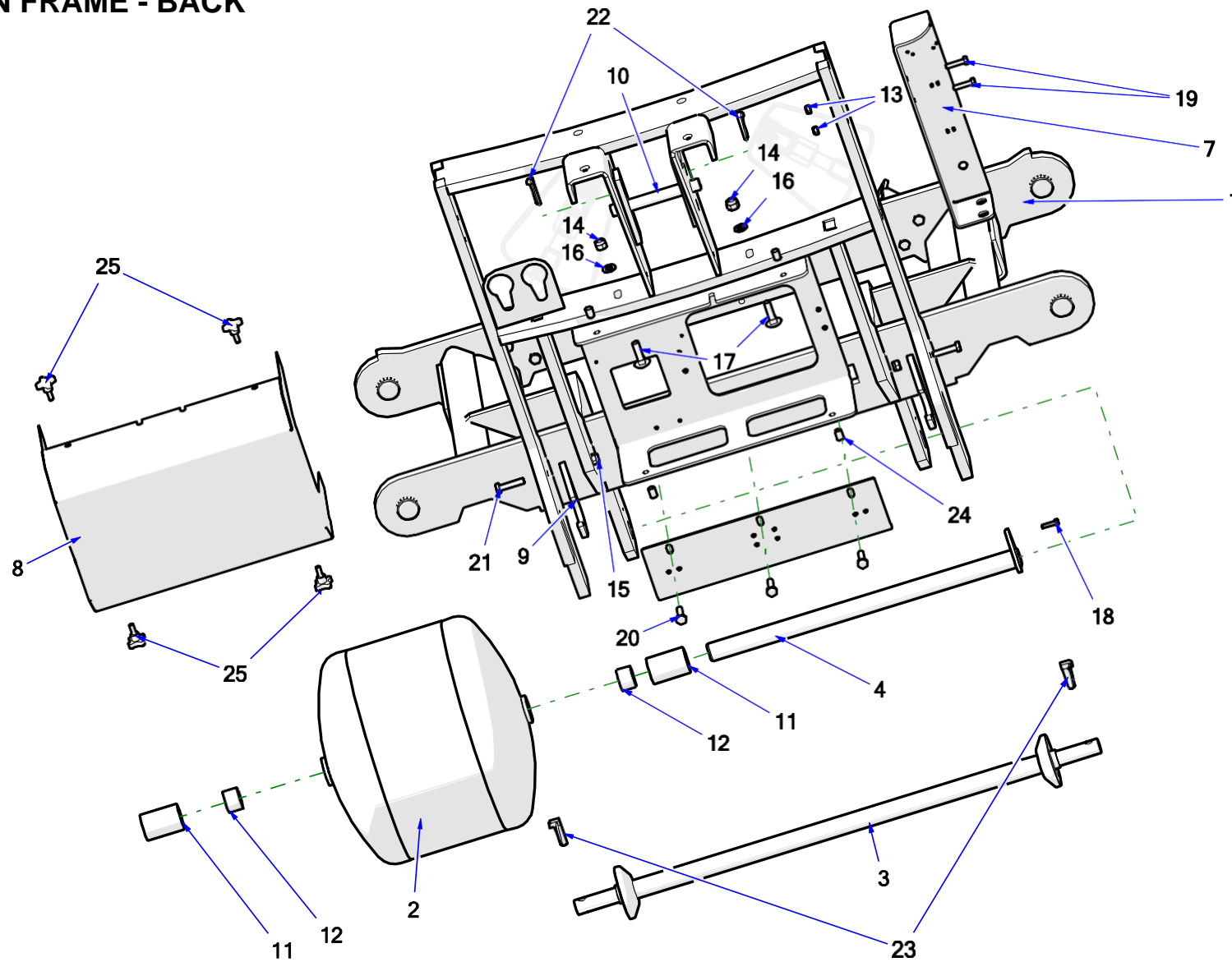
## **SELF LOADING BALE WRAPPER Z529**

**SPARE PARTS CATALOGUE**  
EDITION I, APRIL 2017 EN

**TABLE OF  
CONTENTS**

1. MAIN FRAME - BACK.....	3
2. MAIN FRAME - FRONT .....	4
3. LOWER ARM, LEFT .....	6
4. BOTTOM ARM, RIGHT .....	8
5. WRAPPING MODULE SUPPORT.....	10
6. WRAPPING MODULE.....	12
7. FOIL FEEDER.....	15
8. FILM CUTTER .....	18
9. HYDRAULIC SYSTEM – POWER SUPPLY.....	21
10. HYDRAULIC SYSTEM - MOTORS FOR BOTTOM ARMS.....	23
11. HYDRAULIC SYSTEM - WRAPPING MODULE MOTOR .....	25
12. HYDRAULIC SYSTEM - CYLINDER FOR BOTTOM ARMS .....	27
13. HYDRAULIC SYSTEM - FILM CUTTER CYLINDER.....	29
14. HYDRAULIC SYSTEM - CONNECTIONS TO BALE STACKER .....	31
15. ELECTRIC SYSTEM.....	33

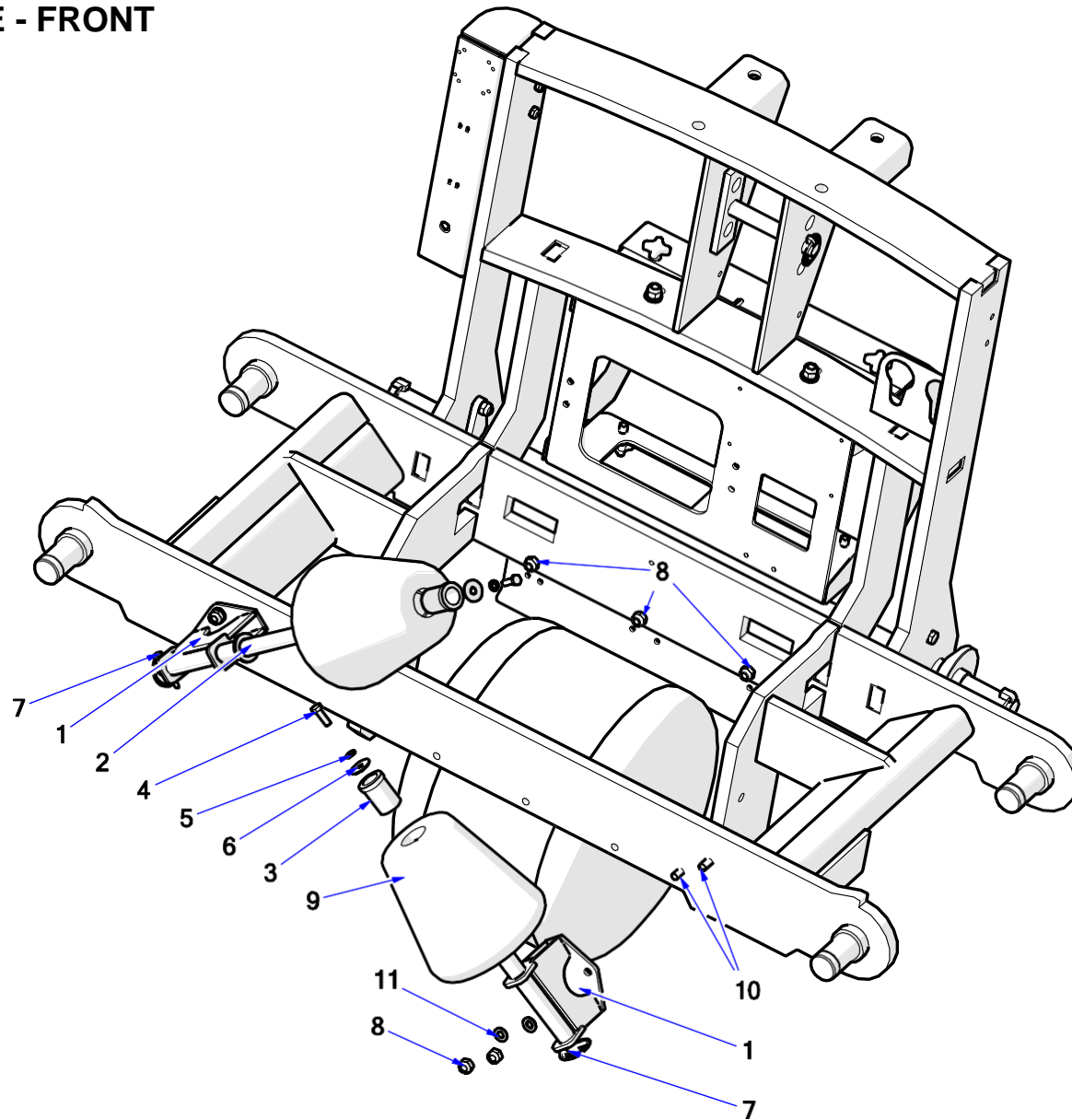
# 1. MAIN FRAME - BACK



No.	Index	Name	Volume
1	Z529 01.01.00	Main frame	1
2	Z529 01.03.00	Drive drum, complete	1
3	Z529 01.02.00	Hitch axle, complete	1
4	Z529 01.04.00	Drive drum pin, complete	1
5	Z529 01.00.03	Separator device support	1
6	Z529 01.00.05	Scraper	1
7	Z529 01.00.06	Switch support	1
8	Z529 01.00.04	Separator device guard	1
9	Z529 01.00.01	Grapple hook	2
10	Z529 01.00.02	Upper grapple pin	1
11	Z529 01.00.07	Drum spacer	2
12	POD-LOZ-000276	Sleeve A 35-40-25	2
13	23NS8OC	Self-locking nut M8 galv. 82175 8 82175 8	2
14	23NS12OC	Self-locking nut M12 galv. 82175 8 82175 8	2
15	23NS10OC	Self-locking nut M10 galv. 82175 8 82175 8	5
16	23P12OC	Round washer 12 galv. 82005	2
17	POD-ELZ-000713	Carriage bolt 12 x 45 galv. 8.8 82406	2
18	23S6/25OC 105	Bolt 6 x 25 galv. 8.8 82105	1

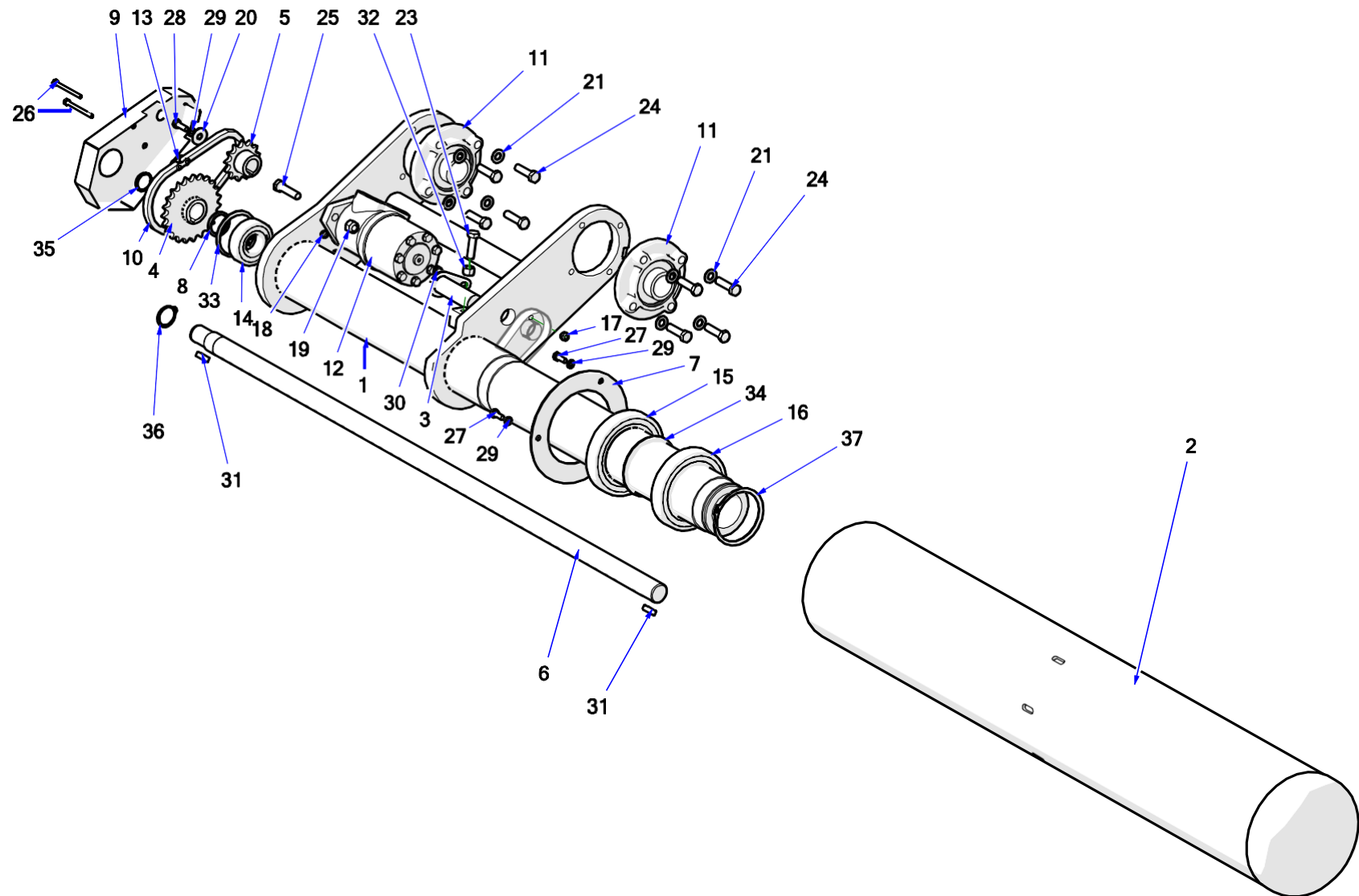
No.	Index	Name	Volume
19	23S8/35OC 8.8	Bolt 8 x 35 galv. 8.8 82105 82105	2
20	POD-ELZ-000045-1	Bolt 10 x 40 galv. 8.8 82101	3
21	23S10/45OC	Bolt 10 x 45 galv. 8.8 82105 82105	2
22	23PR6	Cotter pin with ring 6	2
23	23PR11	Cotter pin with ring 11	2
24	POD-ELZ-000558	Blind rivet nut M8 steel Hexagonal	4
25	POD-OGL-000259	Knob P2M8 x 20	4

## 2. MAIN FRAME - FRONT



No.	Index	Name	Volume
1	Z529 01.10.10	Cone support complete	2
2	Z598 02.09.100	Pulley axle complete	2
3	Z598 02.09.01	Cone sleeve	2
4	23S8/25OC8.8	Bolt 8 x 25 galv. 8.8 82105 82105	2
5	23P8SPOC	Spring washer 8.2 galv. 82008 82008	2
6	23P10 OC030	Round washer 10 galv. coated 82030 82030	2
7	23PR6	Cotter pin with ring 6	2
8	23NS10OC	Self-locking nut M10 galv. 82175 8 82175 8	7
9	25KS	Bale wrapper cone wheel	2
10	POD-ELZ-000045-1	Bolt 10 x 40 galv. 8.8 82101	4
11	23P10 82005	Round washer 10 galv. 82005 82005	4

### 3. LOWER ARM, LEFT



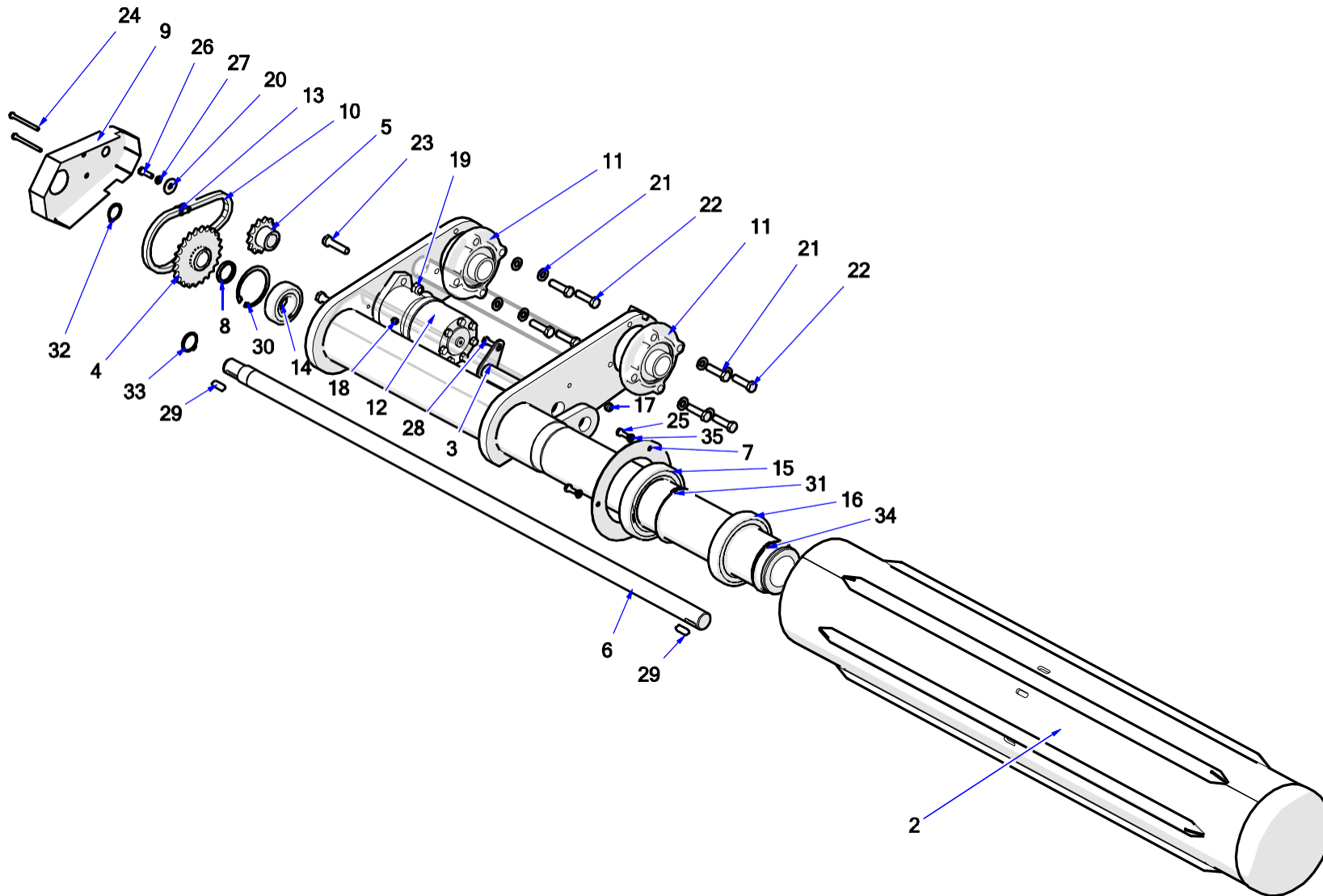


No.	Index	Name	Volume
1	Z529 02.01.00	Arm I	1
2	Z529 02.05.00	Rotating gripper I	1
3	Z529 02.04.00	Cylinder pin, complete	1
4	Z529 02.02.00	Wheel Z-23, complete	1
5	Z529 02.00.01	Wheel Z-13	1
6	Z529 02.00.03	Shaft	1
7	Z529 02.00.04	Drum cover	1
8	Z529 02.00.05	Distance ring	1
9	Z529 02.00.06	Drum drive guard	1
10	POD-LAN-000108	Chain 10B1 33 links	1
11	POD-LOZ-000131	Bearing unit UCFC208	2
12	POD-HPZ-000147	OMR(SMR) 400 hydraulic motor	1
13	25LO10P	Chain link 10B1 R-1 5/8"	1
14	POD-LOZ-000136	Bearing 6307 2RS (Fe)	1
15	POD-LOZ-000272	Bearing 6020 2RS	1
16	POD-LOZ-000273	Bearing 6019 2RS	1
17	23NS8OC	Self-locking nut M8 galv. 82175 8 82175 8	1
18	23NS6OC	Self-locking nut M6 galv. 82175 8 82175 8	2
19	23NS12OC	Self-locking nut M12 galv. 82175 8 82175 8	2

No.	Index	Name	Volume
20	23P10 OC030	Round washer 10 galv. coated 82030 82030	1
21	23P12OC	Round washer 12 galv. 82005	8
22	23P8OOC	Round washer 8 galv. 82005 82005	1
23	23S12/40OC	Bolt 12 x 40 galv. 8.8 82101 82101	1
24	23S12/45 8.8OC.	Bolt 12 x 45 galv. 8.8 82101 82101	8
25	23S12/50OC 8.8	Bolt 12 x 50 galv. 8.8 82101 82101	2
26	23S6/70 105	Bolt 6 x 70 galv. 8.8 82101 82101 8.8	2
27	23S8/20OC 8.8	Bolt 8 x 20 galv. 8.8 82105 82105	3
28	23S8/25OC8.8	Bolt 8 x 25 galv. 8.8 82105 82105	1
29	23P8SPOC	Spring washer 8.2 galv. 82008 82008	4
30	23S8/35OC 8.8	Bolt 8 x 35 galv. 8.8 82105 82105	1
31	POD-ELZ-000706	Key 10 x 8 x 30	2
32	23N12OC	Nut M12 galv. 82144 5	1
33	23SW80	Seeger circlip W80	1
34	POD-ELZ-000762	Seeger circlip Z100	1
35	23SZ30	Seeger circlip Z30	1
36	23SZ35	Seeger circlip Z35	1
37	POD-ELZ-000515	Seeger circlip Z95	1



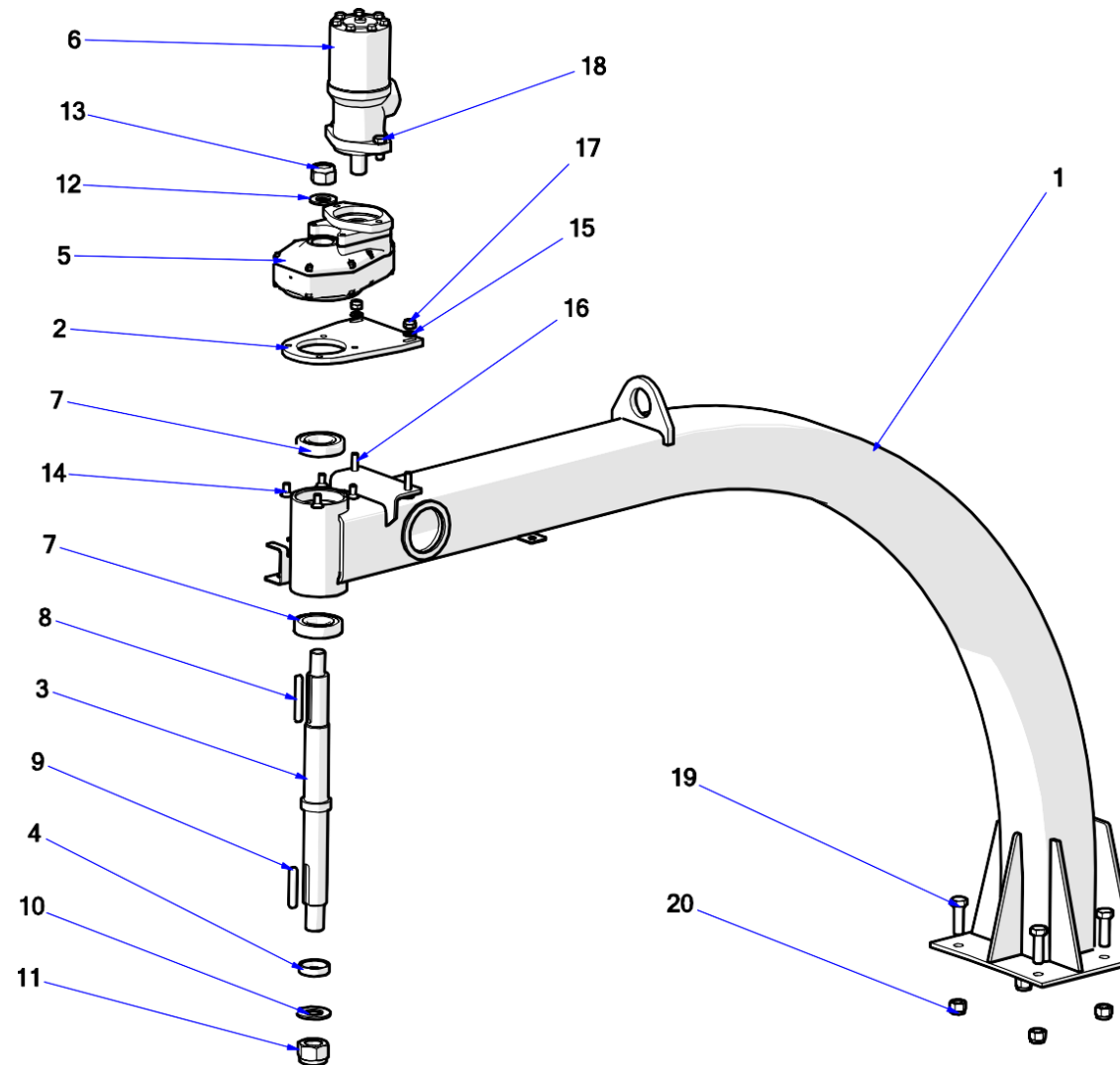
#### 4. BOTTOM ARM, RIGHT



No.	Index	Name	Volume
1	Z529 03.01.00	Arm II	1
2	Z529 03.02.00	Rotating gripper II	1
3	Z529 02.04.00	Cylinder pin, complete	1
4	Z529 02.02.00	Wheel Z-23, complete	1
5	Z529 02.00.01	Wheel Z-13	1
6	Z529 02.00.03	Shaft	1
7	Z529 02.00.04	Drum cover	1
8	Z529 02.00.05	Distance ring	1
9	Z529 03.00.06	Drum drive guard	1
10	POD-LAN-000108	Chain 10B1 33 links	1
11	POD-LOZ-000131	Bearing unit UCFC208	2
12	POD-HPZ-000147	OMR(SMR) 400 hydraulic motor	1
13	25LO10P	Chain link 10B1 R-1 5/8"	1
14	POD-LOZ-000136	Bearing 6307 2RS (Fe)	1
15	POD-LOZ-000272	Bearing 6020 2RS	1
16	POD-LOZ-000273	Bearing 6019 2RS	1
17	23NS8OC	Self-locking nut M8 galv. 82175 8 82175 8	1
18	23NS6OC	Self-locking nut M6 galv. 82175 8 82175 8	2

No.	Index	Name	Volume
19	23NS12OC	Self-locking nut M12 galv. 82175 8 82175 8	2
20	23P10 OC030	Round washer 10 galv. coated 82030 82030	1
21	23P12OC	Round washer 12 galv. 82005	8
22	23S12/45 8.8OC.	Bolt 12 x 45 galv. 8.8 82101 82101	8
23	23S12/50OC 8.8	Bolt 12 x 50 galv. 8.8 82101 82101	2
24	23S6/70 105	Bolt 6 x 70 galv. 8.8 82101 82101 8.8	2
25	23S8/20OC 8.8	Bolt 8 x 20 galv. 8.8 82105 82105	3
26	23S8/25OC8.8	Bolt 8 x 25 galv. 8.8 82105 82105	1
27	23P8SPOC	Spring washer 8.2 galv. 82008 82008	1
28	23S8/35OC 8.8	Bolt 8 x 35 galv. 8.8 82105 82105	1
29	POD-ELZ-000706	Key 10 x 8 x 30	2
30	23SW80	Seeger circlip W80	1
31	POD-ELZ-000762	Seeger circlip Z100	1
32	23SZ30	Seeger circlip Z30	1
33	23SZ35	Seeger circlip Z35	1
34	POD-ELZ-000515	Seeger circlip Z95	1
35	23P8SPOC	Spring washer 8.2 galv. 82008 82008	3

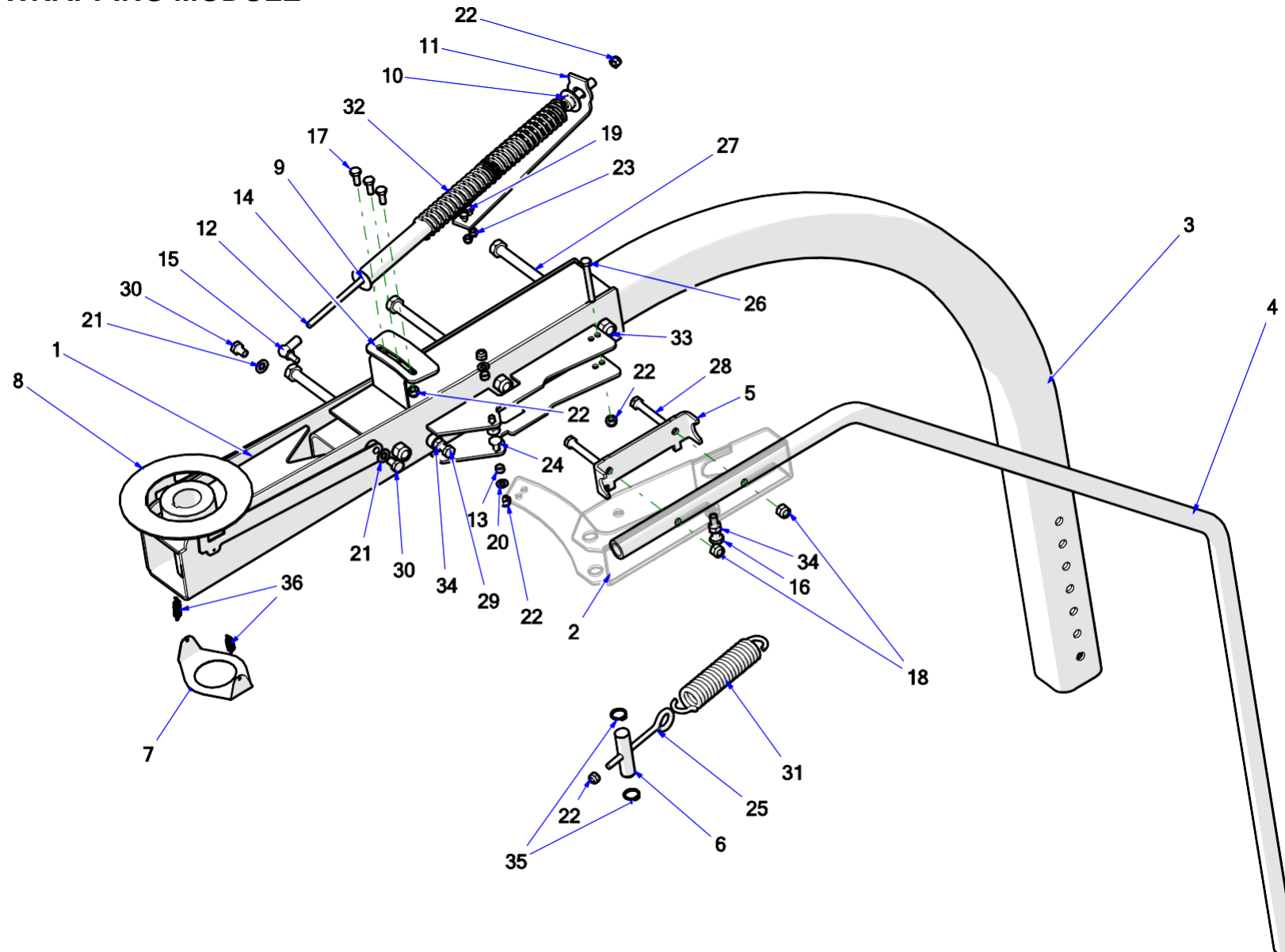
## 5. WRAPPING MODULE SUPPORT



No.	Index	Name	Volume
1	Z529 04.01.00	Wrapping module support	1
2	Z529 04.00.01	Transmission fixing	1
3	Z529 04.00.02	Shaft	1
4	Z529 04.00.03	Distance ring	1
5	POD-WPS-000178	Transmission 04666 AMA	1
6	POD-HPZ-000217	ZBMR-100 hydraulic motor with brake	1
7	25L6208	Bearing 6208 2RS	2
8	POD-ELZ-000871	Key 10 x 8 x 80	1
9	POD-ELZ-000433	Key 12 x 8 x 70 DIN 6885A	1
10	23P30OOC	Round washer 30 galv. 82005 82005	1
11	POD-ELZ-000770	Self-retaining nut M30 x 1.5 DIN985	1
12	23P24OC	Round washer, 24 galv. 82005 82005	1
13	POD-ELZ-000771	Self-tapping nut M24 x 1.5 DIN985	1
14	POD-ELZ-000813	Counter sunk Allen screw 10 x 20 galv. 8.8.DIN7991	4
15	23P10 82005	Round washer 10 galv. 82005 82005	2
16	23S10/35OC 8.8	Bolt 10 x 35 galv. 8.8 82105 82105	2

No.	Index	Name	Volume
17	23NS10OC	Self-locking nut M10 galv. 82175 8 82175 8	2
18	23S12/30OC 8.8	Bolt 12 x 30 galv. 8.8 82105 82105	2
19	23S16/50 8.8	Bolt 16 x 50 galv. 8.8 82101 82101	4
20	23NS16OC	Self-locking nut M16 galv. 82175 8 82175 8	4

## 6. WRAPPING MODULE



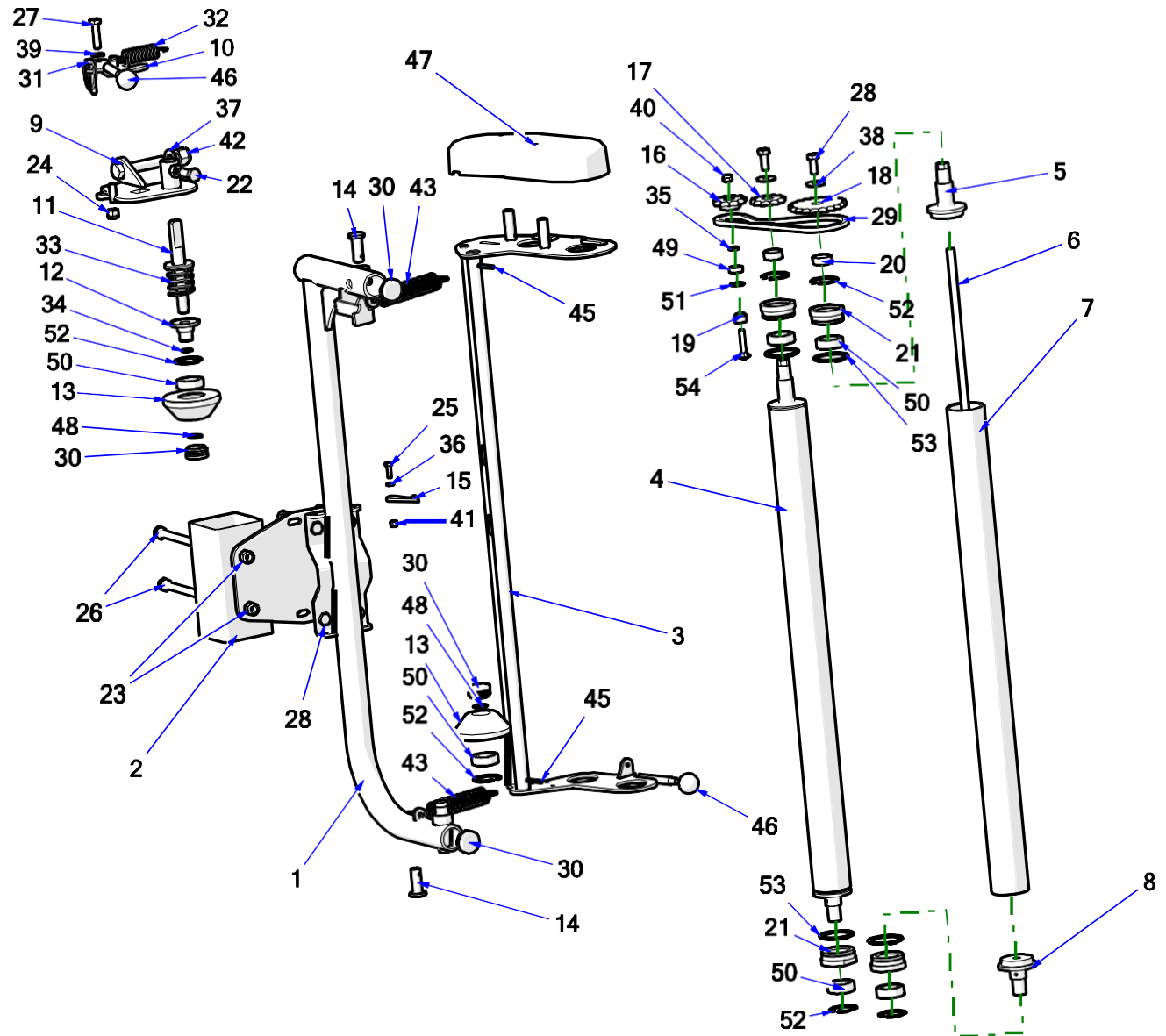
No.	Index	Name	Volume
1	Z529 06.01.00.1	Wrapping module	1
2	Z529 06.02.00	Protection arm	1
3	Z529 06.00.02	Wrapping arm	1
4	Z529 06.00.09	Bumper tube	1
5	Z529 06.00.07	Steel plate II	1
6	Z529 06.00.08	Pin I	1
7	Z529 06.00.06	Steel plate III	1
8	Z529 06.03.00	Safety lever	1
9	Z529 06.05.00	Guide tube	1
10	Z529 06.04.00	Spring lock	1
11	Z529 06.00.03	Steel plate I	1
12	Z529 06.00.05	Pin	1
13	Z529 06.00.04	Guide sleeve	2
14	Z529 06.00.10	Revolution steel plate	1
15	28PP	right-hand joint C13 M8	1
16	23S10/40 8.8 82105 GALV.	Bolt 10 x 40 galv. 8.8 82105 82105	1
17	23S8/20OC 8.8	Bolt 8 x 20 galv. 8.8 82105 82105	3
18	23NS10OC	Self-locking nut M10 galv. 82175 8 82175 8	2
19	23S6/20	Bolt 6 x 20 galv. 8.8 82105 82105 8.8	2

No.	Index	Name	Volume
20	23P8OOC	Round washer 8 galv. 82005 82005	2
21	23P10 82005	Round washer 10 galv. 82005 82005	2
22	23NS8OC	Self-locking nut M8 galv. 82175 8 82175 8	8
23	23NS6OC	Self-locking nut M6 galv. 82175 8 82175 8	2
24	23S8/25OC 82406	Carriage bolt 8 x 25 galv. 8.8 82406 82406	2
25	POD-ELZ-000760	Eye bolt M8 x 140 galv. Thread 100 mm	1
26	23S8/70OC	Bolt 8 x 70 galv. 8.8 82101 82101	1
27	POD-ELZ-000781	Bolt 14 x 110 galv. 8.8 82101	3
28	POD-ELZ-000529	Bolt 10 x 65 galv. 8.8 82101	2
29	23S10/30OC 8.8	Bolt 10 x 30 galv. 8.8 82105 82105	1
30	23S10/16OC 8.8	Bolt 10 x 16 galv. 8.8 82105 82105	2
31	POD-SPR-000093	Tension spring 6.5/37.5/195/20 galv. (maz-7848)	1
32	POD-SPR-000092	Compression spring 3.5/34/155/15 galv. (maz-7847)	4
33	23NS14OC	Self-locking nut M14 galv. 82175 8 82175 8	3
34	23N10OC	Nut M10 galv. 82144 5 82144 5	2
35	23SZ20	Seeger circlip Z20	2

No.	Index	Name	Volume
36	POD-KAB-000054-1	Compression spring diam. 10 L-40 MAZ-4215 galv.	2



**7. FOIL FEEDER**

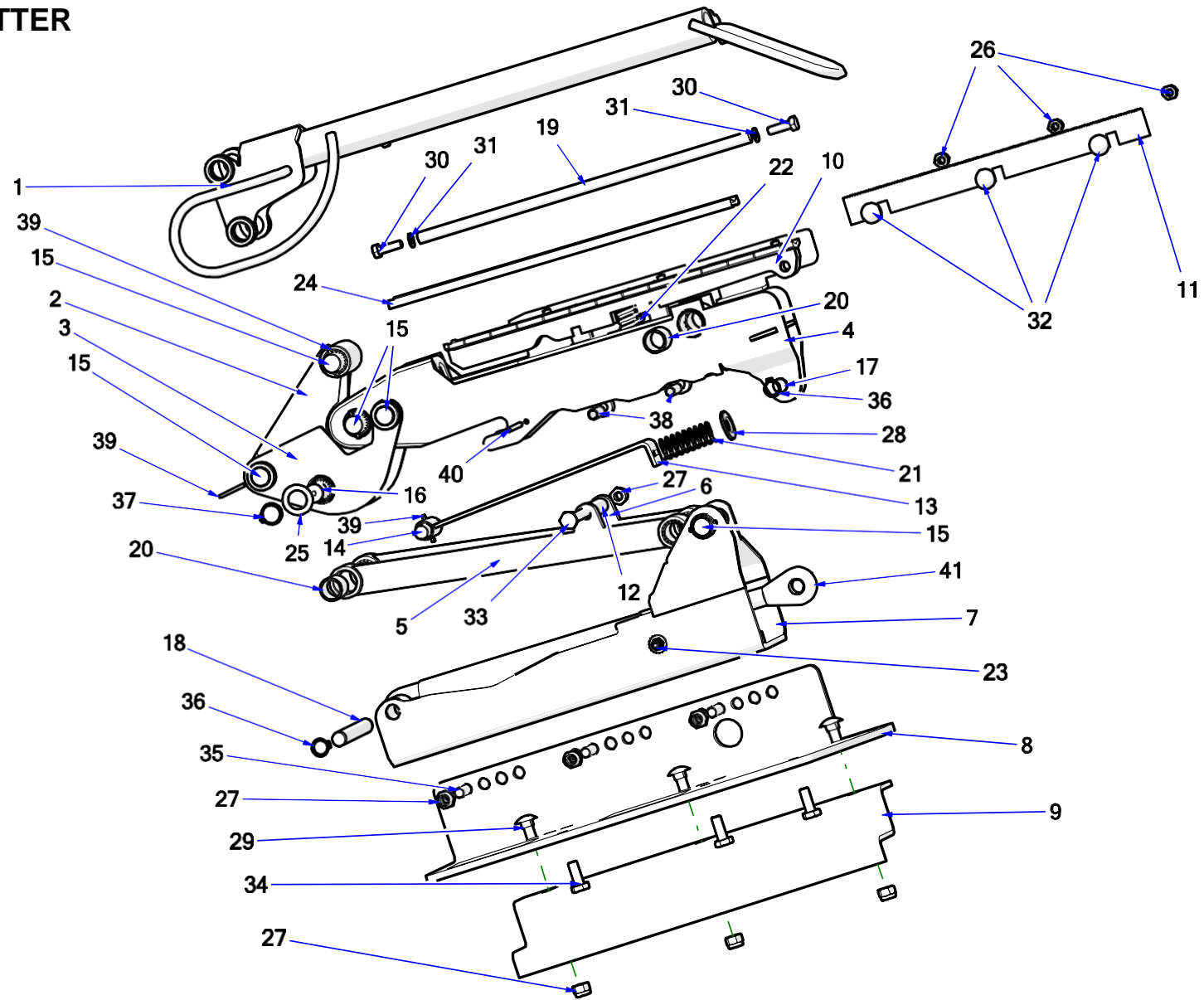


No.	Index	Name	Volume
1	Z598 04.03.00	Film feeder frame I	1
2	Z529 06.90.00	Feeder mounting, complete	1
3	Z598 04.07.00	Film feeder frame II complete	1
4	Z598 04.08.00	Tensioner shaft complete	2
5	Z598 04.08.01	Upper mounting	2
6	Z598 04.08.02	Tensioner rod	2
7	Z-560 02.24.01	Tensioner tube	2
8	Z598 04.08.03	Bottom mounting	2
9	Z598 04.04.00	Upper foil gripper	1
10	Z598 04.05.00	Clamp	1
11	Z598 04.06.00	Compression axle complete	1
12	Z598 04.00.04	Floating bushing	1
13	Z598 04.00.02	Cone	2
14	Z598 04.00.05	Tensioner pin	2
15	Z598 04.00.07	Hook	1
16	Z-560 02.00.09	Chain wheel Z-11	1
17	Z-560 02.00.30	Chain wheel Z-12	1
18	Z-560 02.00.32	Chain wheel Z-21	1
19	Z-560 02.00.08	Distance sleeve II	1

No.	Index	Name	Volume
20	Z-560 02.00.26	Distance sleeve III	2
21	Z-560 02.00.25.1	Shaft mounting	4
22	23S12/30OC 8.8	Bolt 12 x 30 galv. 8.8 82105 82105	1
23	23NS12OC	Self-locking nut M12 galv. 82175 8 82175 8	2
24	23NS10OC	Self-locking nut M10 galv. 82175 8 82175 8	5
25	23S6/20	Bolt 6 x 20 galv. 8.8 82105 82105 8.8	1
26	23S12/90 101OC	Bolt 12 x 90 galv. 8.8 82101 82101	2
27	POD-ELZ-000045-1	Bolt 10 x 40 galv. 8.8 82101	1
28	23S10/25OC 8.8	Bolt 10 x 25 galv. 8.8 82105 82105	6
29	25LO08B1 43 LINKS + 25LO08P	Chain 08B1 43 links + straight link 08B1 R-1 1/2"	1
30	POD-TSZ-000121	Round stopper, int. 35 mm black (Es-111530)	5
31	23PR8	Cotter pin with ring 8	1
32	POD-SPR-000060	Compression spring 2/15/98/35 galv.(maz-6531 galv.) (FE-1800025)	1
33	23S4/32/50	Compression spring 4/40/50/7 galv. (maz-2401)	1
34	23SZ14	Seeger circlip Z15	1
35	23P8OOC	Round washer 8 galv. 82005 82005	1
36	23P6OOC	Round washer 6 galv. 82005 82005	1

No.	Index	Name	Volume
37	23P16OOC	Round washer 16 galv. 82005 82005	2
38	23P10 OC030	Round washer 10 galv. coated 82030 82030	2
39	23P10 82005	Round washer 10 galv. 82005 82005	2
40	23NS8OC	Self-locking nut M8 galv. 82175 8 82175 8	1
41	23NS6OC	Self-locking nut M6 galv. 82175 8 82175 8	1
42	23NS16OC	Self-locking nut M16 galv. 82175 8 82175 8	1
43	23SPN3/23/135 MAZ1771/1	Tension spring 3/23/136/34 galv. (maz-1771/B-1)	2
44	POD-ELZ-000659	Allen set screw 6 x 8 DIN913 galv.	1
45	POD-ELZ-000344	Spring pin 5 x 30 DIN 1481	2
46	28B32 M10	Knob B32 M10 No. 462099	2
47	POD-TSZ-000221	Tensioner guard ABS Z589	1
48	23SZ20	Seeger circlip Z20	2
49	25L608 2RS	Bearing 608 2RS	1
50	25L6004	Bearing 6004 2RS	6
51	23SW22	Seeger circlip W22	1
52	23SW42	Seeger circlip W42	6
53	23SZ50	Seeger circlip Z50	4
54	23S8/40P	Carriage bolt 8 x 40 galv. 8.8 82406 82406	1

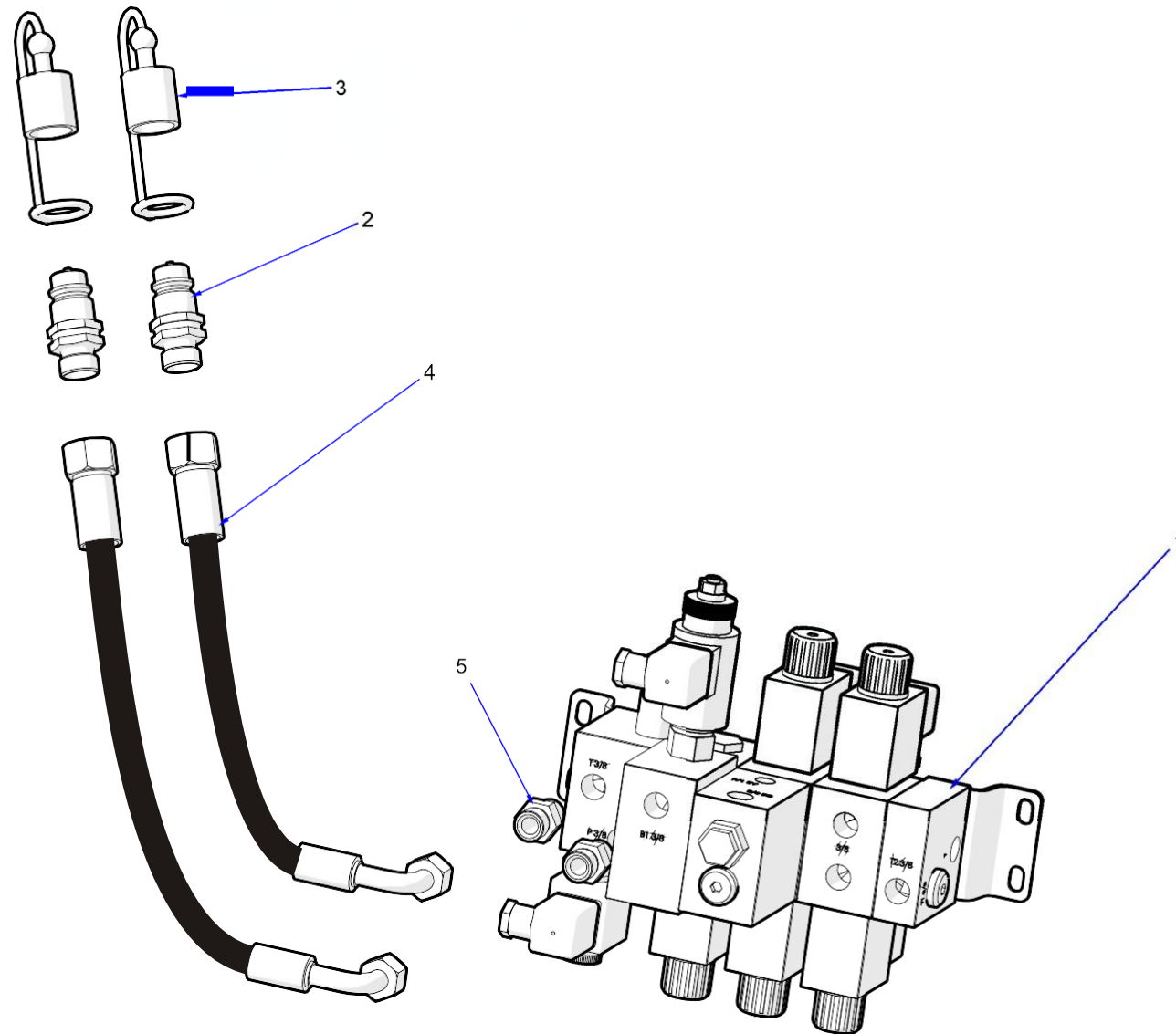
## 8. FILM CUTTER



No.	Index	Name	Volume	No.	Index	Name	Volume
20	POD-LOZ-000271	Sleeve A-20-25-20	16	1	Z529 05.09.00.1	Film gripper	1
21	POD-SPR-000088	Compression spring 2/23/609 galv. (maz-7850)	1	2	Z529 05.05.00	Cutter arm V	1
22	POD-SPR-000087	Compression spring 4/28/90/12 galv. (maz-7849)	1	3	Z529 05.06.00	Cutter arm VI	1
23	23SM	Grease nipple M6 x 1.0 simple	8	4	Z529 05.04.00	Cutter arm III	1
24	POD-TSZ-000216	Handrail lining 30 x 6 mm black	1	5	Z529 05.02.00	Cutter arm I	1
25	POD-ELZ-000848	Spacer washer 20 x 32 x 1 DIN 988	2	6	Z529 05.03.00	Cutter arm II	1
26	23NS8OC	Self-locking nut M8 galv. 82175 8 82175 8	3	7	Z529 05.01.00	Cutter base	1
27	23NS10OC	Self-locking nut M10 galv. 82175 8 82175 8	7	8	Z529 05.00.02	Cutter II base mounting plate	1
28	23P16OOC	Round washer 16 galv. 82005 82005	1	9	Z529 05.00.01	Cutter I base mounting plate	1
29	POD-ELZ-000432	Carriage bolt 10 x 25 galv. 8.8 82406	3	10	Z529 05.07.00.1	Cutter table	1
30	23S8/25OC8.8	Bolt 8 x 25 galv. 8.8 82105 82105	2	11	Z529 05.00.11	Film cutter blade	1
31	23P8SPOC	Spring washer 8.2 galv. 82008 82008	2	12	Z529 05.00.03	Distance tube	1
32	POD-ELZ-000782	Carriage bolt 8 x 16 galv. 8.8 82406	3	13	Z529 05.08.00	Cutter guide	1
33	23S10/100OC	Bolt 10 x 100 galv. 8.8 82101 82101	1	14	Z529 05.00.04	Lock pin	1
				15	Z529 05.00.06	Pin II	5
				16	Z529 05.00.08	Pin IV	1
				17	Z529 05.00.10	Pin VI	1
				18	Z529 05.00.07	Pin III	1
				19	Pipe Z529 VI 378 mm complete	Gripper pipe	1

No.	Index	Name	Volume
34	23S10/25OC 8.8	Bolt 10 x 25 galv. 8.8 82105 82105	3
35	POD-ELZ-000045-1	Bolt 10 x 40 galv. 8.8 82101	3
36	23SZ14	Seeger circlip Z15	4
37	23SZ20	Seeger circlip Z20	2
38	POD-ELZ-000783	Spring pin 10 x 30 DIN 1481	2
39	23K4/30	Spring pin 4 x 30 (4 x 28) DIN 1481	6
40	POD-ELZ-000761	Spring pin 5 x 50 DIN 1481	1
41	POD-HSL-000179	Servomotor 315-450-32	1

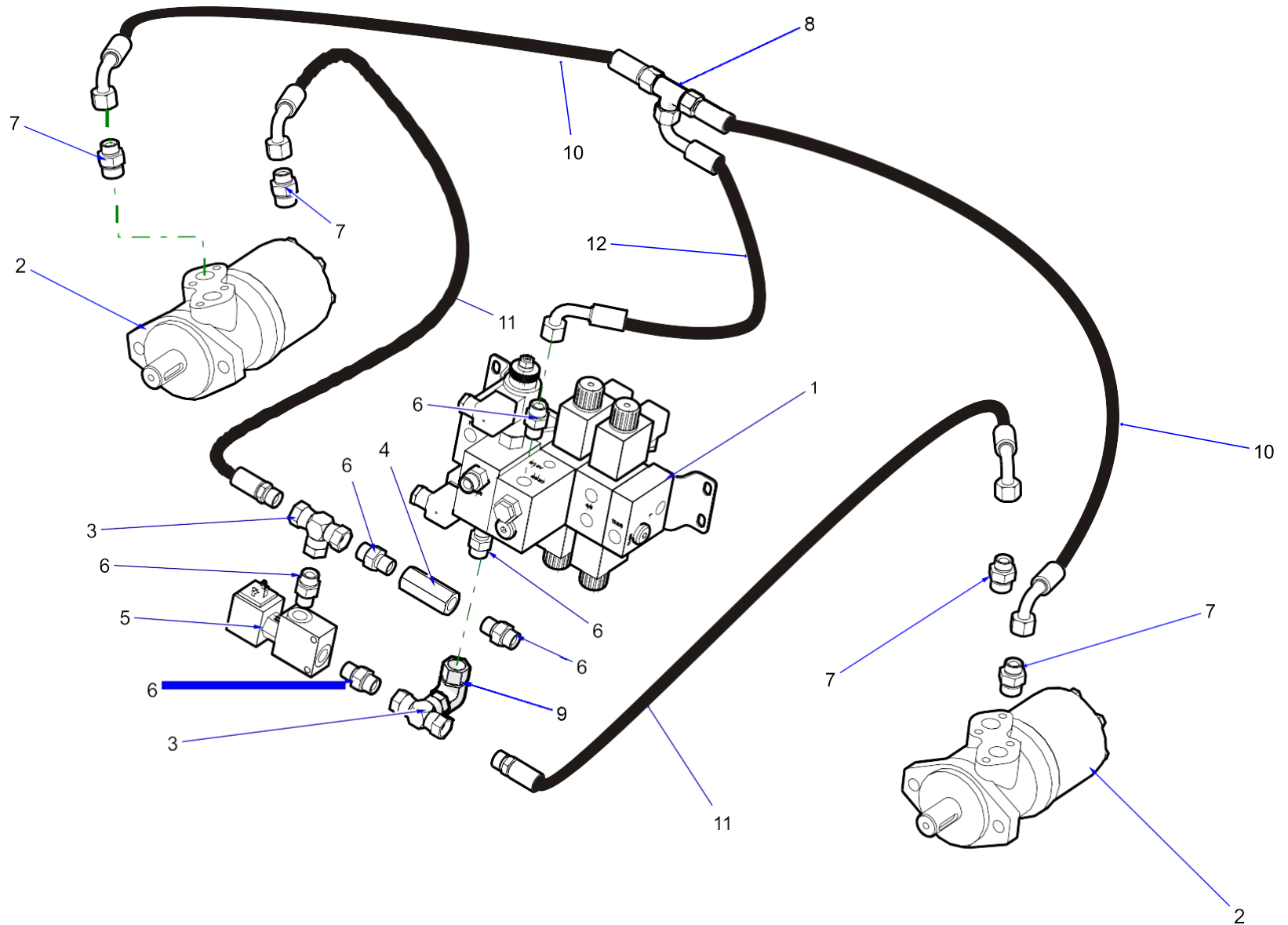
### 9. HYDRAULIC SYSTEM – POWER SUPPLY





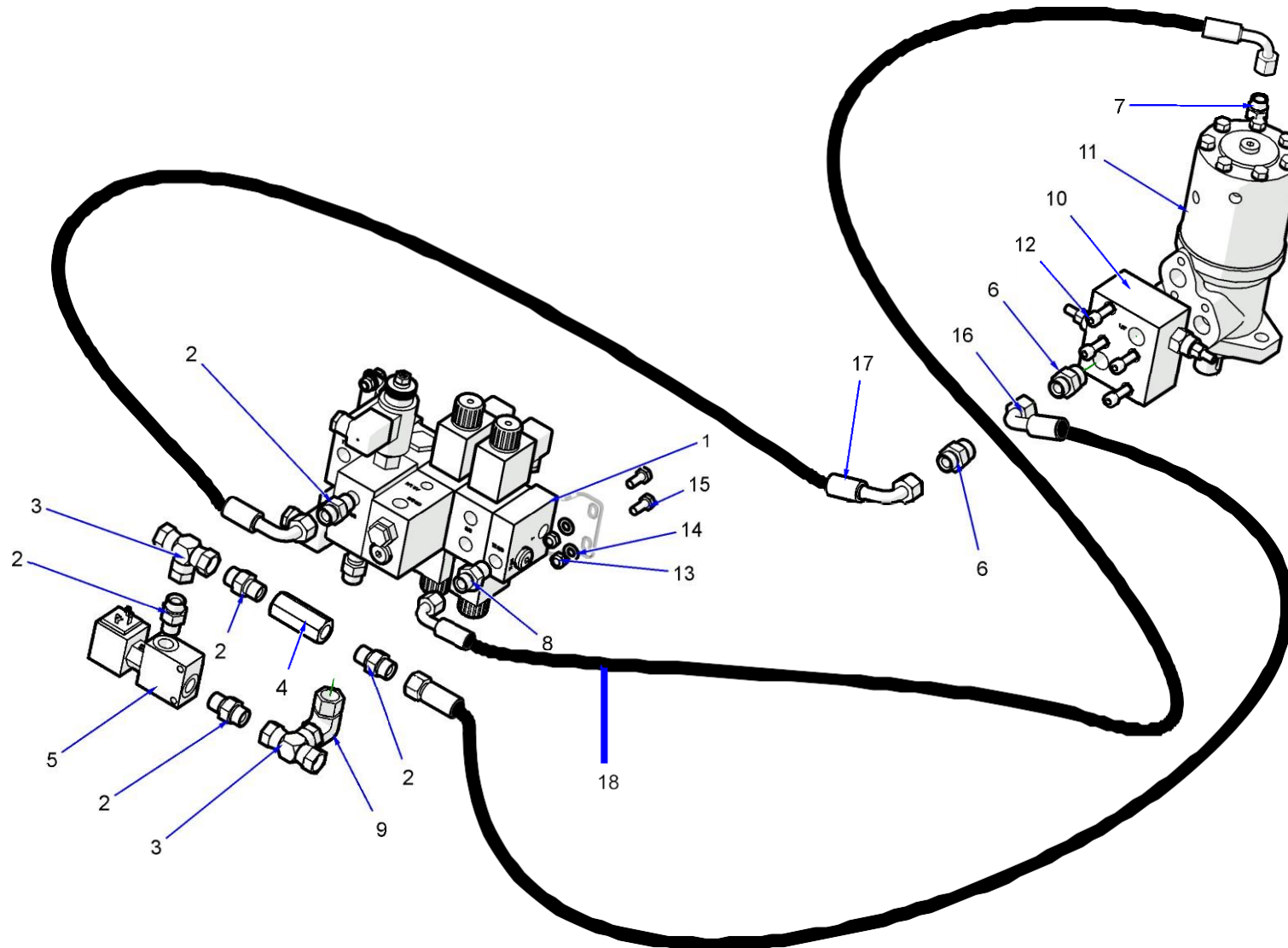
No.	Index	Name	Volume
1	POD-HZW-000108	Distributor SDE030 WALVOLIL, complete	1
2	24ZWE13	EURO quick-connector 13 M22 x 1.5	2
3	24ZWNE13	Cap for a EURO 13 valve-plug (green, yellow, blue, red)	2
4	POD-HPR-000598	Feeder cable AA90/141/10 L-1200	2
5	24KP3/8 18	Straight connector 3.8 x 18-1.5 12LR	2

**10. HYDRAULIC SYSTEM - MOTORS FOR BOTTOM ARMS**



No.	Index	Name	Volume
1	POD-HZW-000108	Distributor SDE030 WALVOLIL, complete	1
2	POD-HPZ-000147	OMR(SMR) 400 hydraulic motor	2
3	POD-HKR-000163	T-connector 3 x A 18 x 1.5	2
4	POD-HZW-000035	Check valve VU 3.8"	1
5	POD-HZW-000109	Two-way solenoid shut-off valve	1
6	24KP3/8 18	Straight connector 3.8 x 18-1.5 12LR	7
7	24KP1/2 18	Connector 1.2" on 18 x 1.5	4
8	24KT18/18/18	T-connector 18 x 18 x 18 12L	1
9	24KPKN18X1.5	Adjustable elbow connector AB M18 x 1,5 12L	1
10	POD-HPR-000598	Hose A90A/111/10 L-1000	2
11	POD-HPR-000598	Hose A90B/111/10 L-1500	2
12	POD-HPR-000598	Hose A90A90/111/10 L-650	1

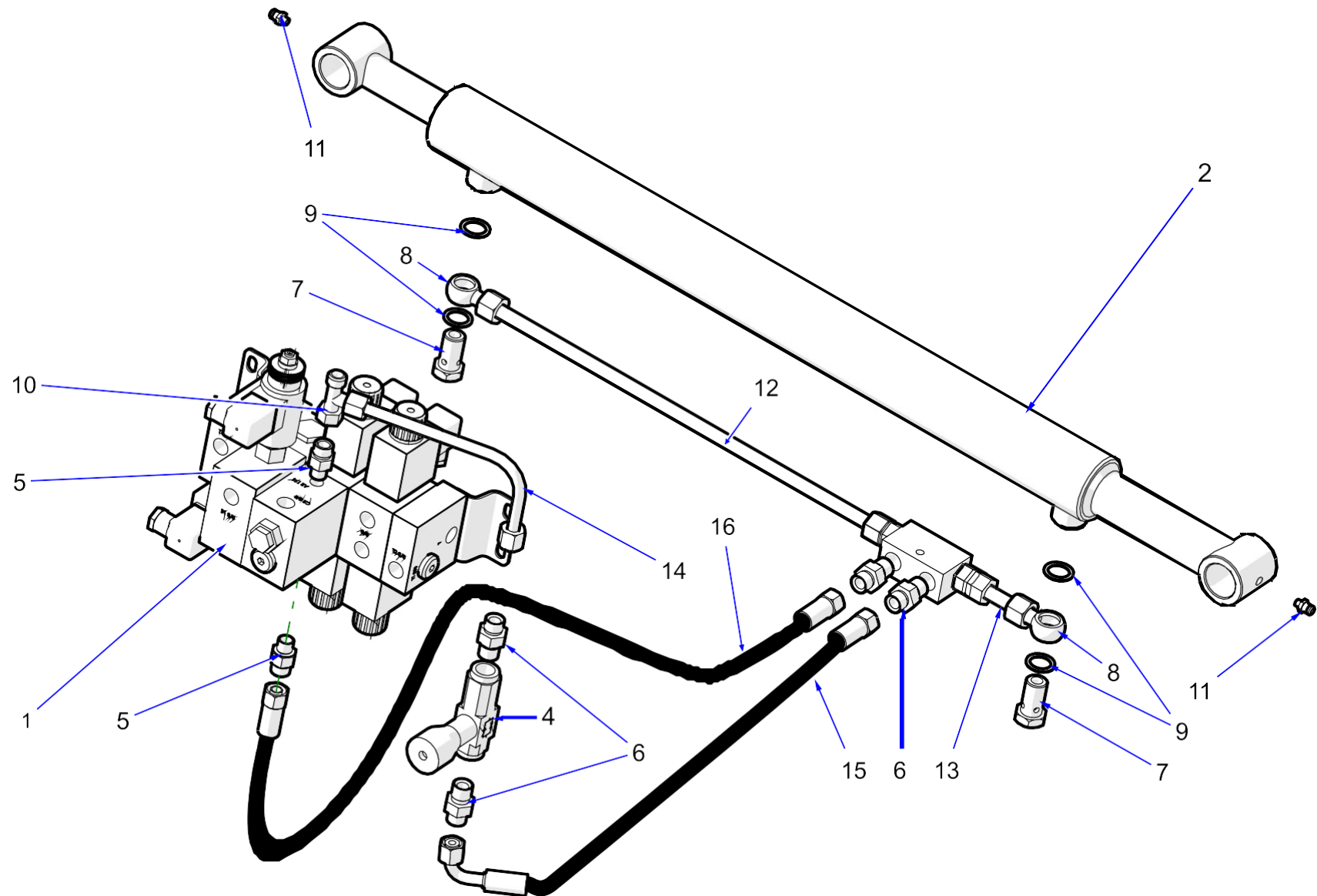
**11. HYDRAULIC SYSTEM - WRAPPING MODULE MOTOR**



No.	Index	Name	Volume
1	POD-HZW-000108	Distributor SDE030 WALVOLIL, complete	1
2	24KP3/8 18	Straight connector 3.8 x 18- 1.5 12LR	6
3	POD-HKR-000163	T-connector 3 x A 18 x 1.5	2
4	POD-HZW-000035	Check valve VU 3.8"	1
5	POD-HZW-000109	Two-way solenoid shut-off valve	1
6	24KP1/2 18	Straight connection 1/2 edx18-1.5	2
7	POD-HKR-000126	Straight connector 16 x 1.5 to 1.4"	1
8	24KP3/8 16	Straight connector 3.8 x 16- 1.5	1
9	24KPKN18X1.5	Adjustable elbow connector AB M18 x 1.5 12L	1
10	POD-HZW-000104	Engine valve VBCDF 1-2" DE OMP-OMR	1
11	POD-HPZ-000217	ZBMR-100 hydraulic motor with brake	1
12	POD-ELZ-000531	Allen bolt 8 x 50 galv. 8.8 82302	4
13	23NS8OC	Self-locking nut M8 galv. 82175 8 82175 8	4
14	23P8OOC	Round washer 8 galv. 82005 82005	4
15	23S8/20OC 8.8	Bolt 8 x 20 galv. 8.8 82105 82105	4
16	POD-HPR-000598	Hose A90A/111/10 L-3300	1

No.	Index	Name	Volume
17	POD-HPR-000598	Hose A90A90/111/10 L-3300	1
18	POD-HPR-000598	Hose A90A90/111/8 L-3400	1

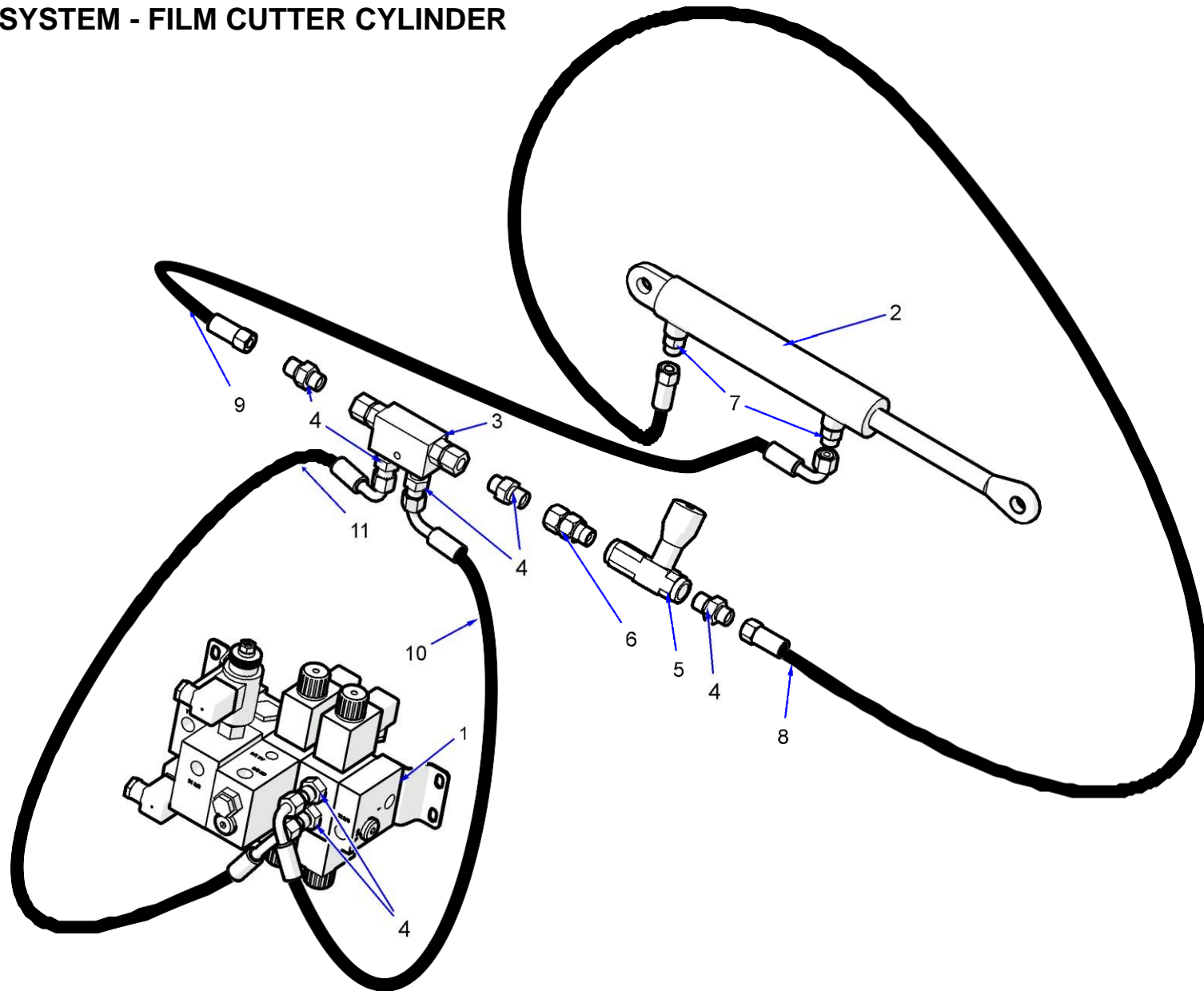
## 12. HYDRAULIC SYSTEM - CYLINDER FOR BOTTOM ARMS



No.	Index	Name	Volume
1	POD-HZW-000108	Distributor SDE030 WALVOLIL, complete	1
2	POD-HSL-000178	Cylinder Z529 -UCJ438- 50/30/555 Ral 7015*L-930	1
3	POD-HZW-000038	Double non-return control valve VBPDE 3/8" L 2 CEXC	1
4	24ZD	Valve VRFU90 3_8	1
5	POD-HKR-000126	Straight connector 16 x 1.5 to 1.4"	2
6	24KP3/8 16	Straight connector 3.8 x 16- 1.5	4
7	24SO18/1.5	Eye bolt M18 x 1.5 16 L31	2
8	SKL-HYD-00358	Metric eye coupling M18 x 1.5 L12	2
9	24U18	Copper washer diam. 18 x 24 x 1.5	4
10	POD-HKR-000063	T-connector, asymmetrical 16 x 16 x 16-1.5 10L with side nut	1
11	23SM	Lubricating nipple M6 x 1.0 simple	2
12	POD-HPR-000598	Pipe I Z529 425 mm complete	1
13	POD-HPR-000598	Pipe II Z529 60 mm complete	1
14	POD-HPR-000598	Pipe III Z529 227 mm complete	1
15	POD-HPR-000598	Hose A90A/112/8 L-1300	1
16	POD-HPR-000598	Hose A90A/112/8 L-1300	1

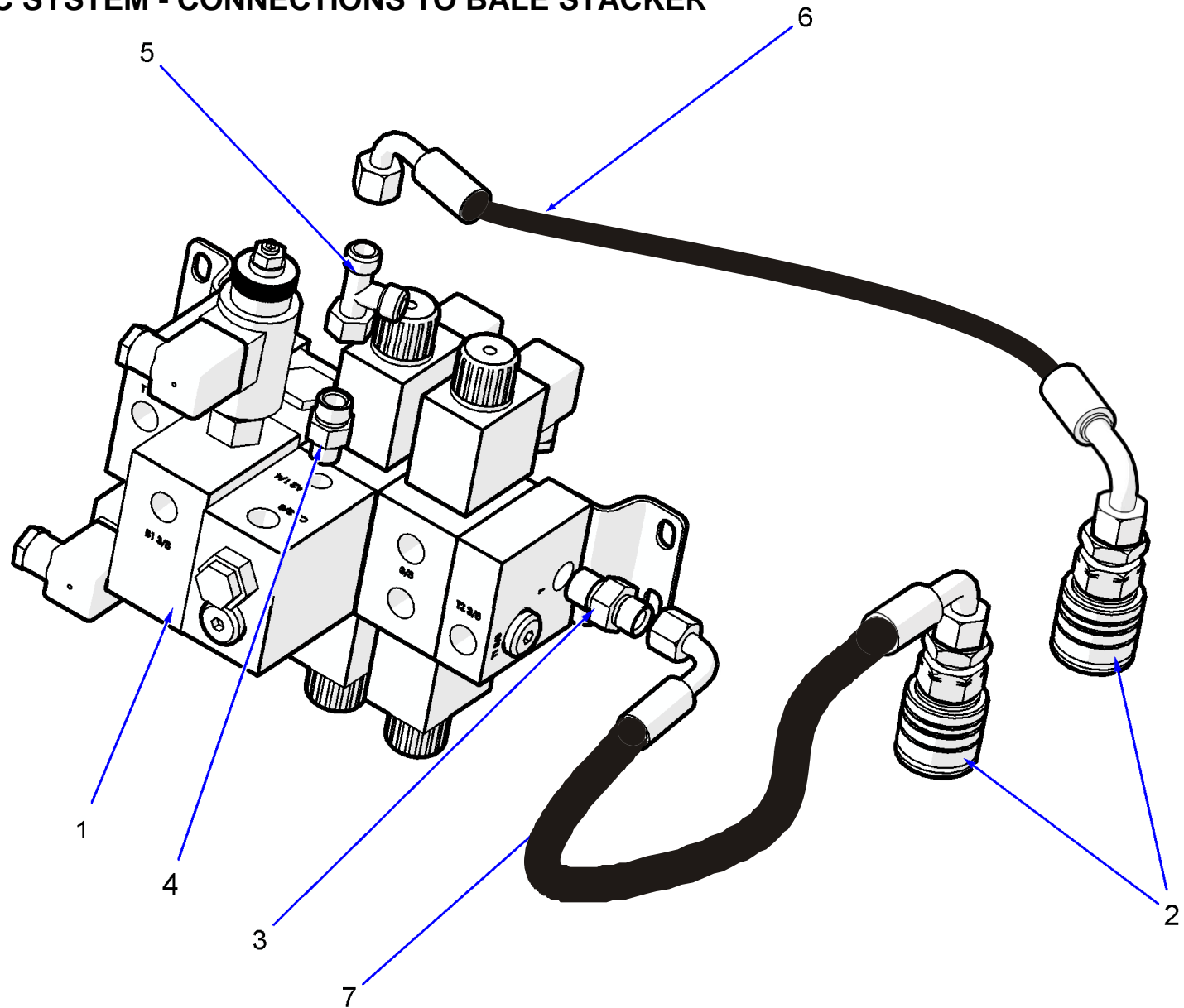


**13. HYDRAULIC SYSTEM - FILM CUTTER CYLINDER**



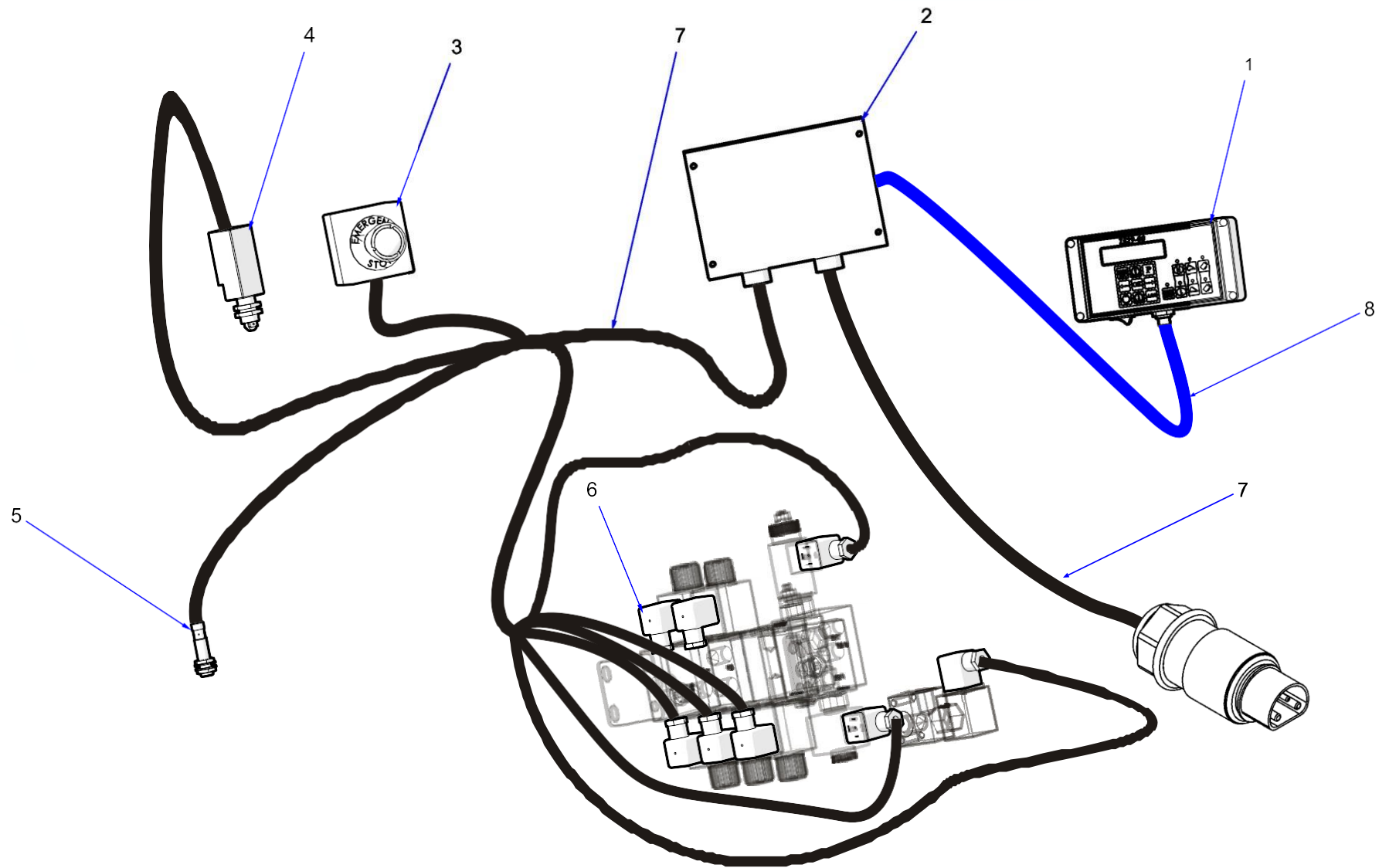
No.	Index	Name	Volume
1	POD-HZW-000108	Distributor SDE030 WALVOLIL, complete	1
2	POD-HSL-000179	Cylinder Z529-UCJ84- 32/20/135 Ral 7015*L-315	1
3	POD-HZW-000038	Double non-return control valve VBPDE-3/8" L2 CEXC	1
4	24KP3/8 16	Straight connector 3.8 x 16- 1.5	7
5	24ZD	Valve VRFU90 3_8	1
6	POD-HKR-000166	Straight connector AB 3/8"edx18 x 1.5 female	1
7	POD-HKR-000126	Straight connector 16 x 1.5 to 1.4"	2
8	POD-HPR-000598	Hose AA/112/8 L-1500	1
9	POD-HPR-000598	Hose A90A/112/8 L-1500	1
10	POD-HPR-000598	Hose A90A90/111/8 L-800	1
11	POD-HPR-000598	Hose A90A90/111/8 L-800	1

**14. HYDRAULIC SYSTEM - CONNECTIONS TO BALE STACKER**



No.	Index	Name	Volume
1	POD-HZW-000108	Distributor SDE030 WALVOLIL, complete	1
2	POD-HZW-000039	EURO valve seat M18 x 1.5 long	2
3	24KP3/8 16	Straight connector 3.8 x 16-1.5	1
4	POD-HKR-000126	Straight connector 16 x 1.5 to 1.4"	1
5	POD-HKR-000063	T-connector, asymmetrical 16 x 16 x 16-1.5 10L with side nut	1
6	POD-HPR-000598	Hose A90A90/112/8 L-550	1
7	POD-HPR-000598	Hose A90A90/112/8 L-550	1

**15. ELECTRIC SYSTEM**



No.	Index	Name	Volume
1	POD-ELK-000357	LCD meter and control desk for the Z529 V1.0 bale wrapper	1
2	POD-ELK-000358	Meter - control module for the Z529 V1.0 bale wrapper	1
3	POD-ELK-000331	Emergency STOP push button	1
4	POD-ELK-000351	Limit switch Z529 FM 513 PIZZATO ELETTRICA	1
5	POD-ELK-000347	Inductive sensor BI4M12-AP6X-H1141	1
6	POD-ELK-000244	Connection GDM DIN 43650	8
7	POD-ELK-000356	Electric cable bundle for the Z529 bale wrapper	1
8	POD-ELK-000350	Z529 counter cable to the control panel, 5 m	1



Metal-Fach Sp. z o.o. is constantly improving its products and adjusting its package to the needs of its customers, so it reserves the right to make changes to its product range without notice. Therefore, before making your purchase decision, please contact an authorised dealer or sales representative of Metal-Fach Sp. z o.o. Metal-Fach Sp. z o.o. will not accept any complaints regarding the data and pictures contained in the catalogue, as the presented range of products does not constitute an offer within the meaning of the provisions of the Civil Code.

The pictures do not necessarily show standard accessories.

Original spare parts are available from authorised dealers, both in Poland and abroad, and also at the Metal-Fach retail outlet.

#### TECHNICAL SERVICE

16-100 Sokółka, ul. Kresowa 62  
phone: +48 85 711 07 80; fax: +48 85 711 07 93

[serwis@metalfach.com.pl](mailto:serwis@metalfach.com.pl)

#### SALES

16-100 Sokółka, ul. Kresowa 62  
phone: +48 85 711 07 78; fax: +48 85 711 07 89  
[handel@metalfach.com.pl](mailto:handel@metalfach.com.pl)

#### SPARE PARTS WHOLESALE STORE

16-100 Sokółka, ul. Kresowa 62

Wholesale:

phone: 85 711 07 81; fax: 85 711 07 93  
[hurtownia@metalfach.com.pl](mailto:hurtownia@metalfach.com.pl)

Spare parts - retail sales

24/7 PHONE: +48 533 111 477  
Phone: +48 85 711 07 90  
[sklep.kontakt@metalfach.com.pl](mailto:sklep.kontakt@metalfach.com.pl)

CURRENT INFORMATION ABOUT OUR PRODUCTS CAN BE FOUND ON [WWW.METALFACH.COM.PL](http://WWW.METALFACH.COM.PL)

