



METAL-FACH



FRONT LOADER

T229

PARTS CATALOGUE

REVISION 7

17.05.2023



The information included in the catalogue is valid as of the date of its preparation. The manufacturer reserves its right to make design changes to machines, and due to this, some values or illustrations might not correspond to the actual state of the machine supplied to the user. The manufacturer reserves its right to make design changes without changing this catalogue.

Table of Contents

1. LOADER, COMPLETE	4
2. EXTENSION ARM, COMPLETE (UNTIL MARCH 2014)	6
3. CONNECTOR IV, COMPLETE (UNTIL MARCH 2014)	9
4. EXTENSION ARM, VERSION V (FROM MARCH 2014 UNTIL 2016), COMPLETE	11
5. EXTENSION ARM, VERSION V (FROM 2016), COMPLETE	15
6. CONNECTOR III, COMPLETE	20
7. MOUNTING FRAME EURO/SMS CPL	22
8. MOUNTING FRAME SKIDSTEER	25
9. SUPPORT FOOT, COMPLETE	28
10. LEVELLING INDICATOR, COMPLETE	30
11. HYDRAULIC SYSTEM, DOUBLE SECTION	32
12. SOLENOID VALVE ASSEMBLY	35
13. MEMBRANE HYDRAULIC ACCUMULATOR ASSEMBLY	38
14. PISTON HYDRAULIC ACCUMULATOR UNIT ASSEMBLY	40
15. PICTOGRAMS	42
NOTES.....	44

1. LOADER, COMPLETE

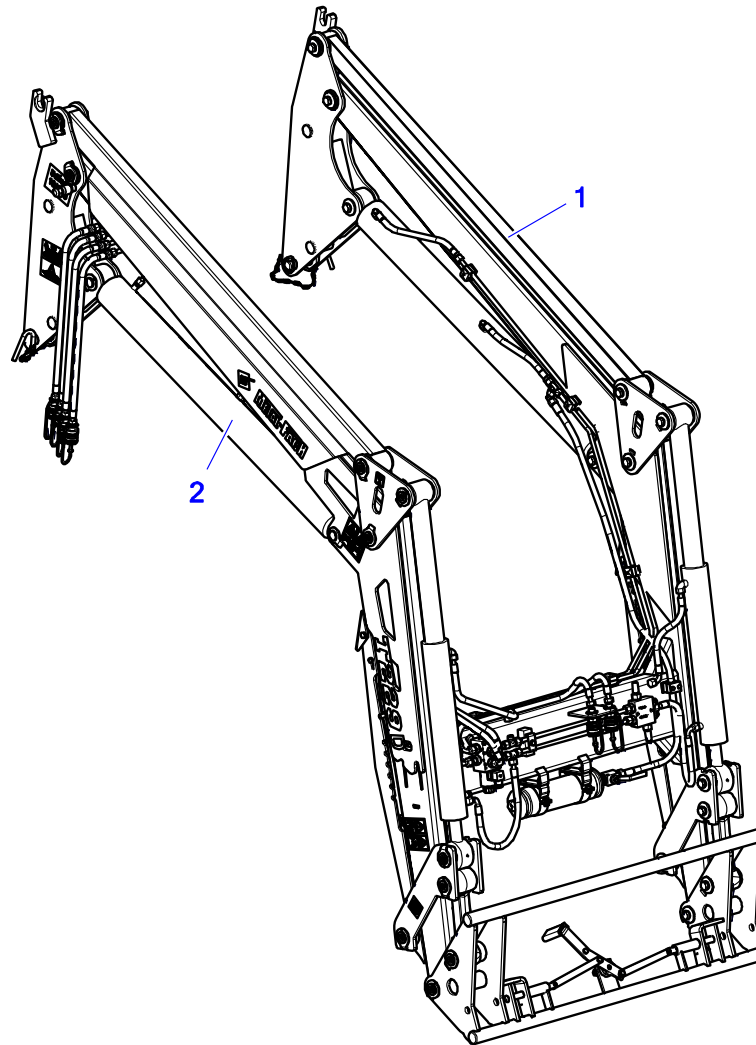


Tabela 1. Loader complete with the SMS frame

No.	Type of Loader				Part or assembly name
	T229-1	T229-K	T229-P	T229-D	
1	T229-100	T229-K00	-	T229-D00	Boom, complete (from 03.2014)
	T229-V.100	T229-V.K00	T229-V.P00	T229-V.D00	Boom, complete (from 2016)
2	See page 32				Hydraulic system
3	Depending on the tractor model				The frame mounted on a tractor

Tabela 2. Loader complete with the EURO frame

No.	Type of Loader				Part or assembly name
	T229-1	T229-K	T229-P	T229-D	
1	T229-110	T229-K10	-	T229-D10	Boom, complete (from 03.2014)
	T229-V.110	T229-V.K10	T229-V.P10	T229-V.D10	Boom, complete (from 2016)
2	See page 32				Hydraulic system
3	Depending on the tractor model				The frame mounted on a tractor

Tabela 3. Loader complete with the SkidSteer frame

No.	Type of Loader				Part or assembly name
	T229-1	T229-K	T229-P	T229-D	
1	T229-V.120	T229-V.K20	T229-V.P20	T229-V.D20	Boom, complete
2	See page 32				Hydraulic system
3	Depending on the tractor model				The frame mounted on a tractor

2. EXTENSION ARM, COMPLETE (UNTIL MARCH 2014)

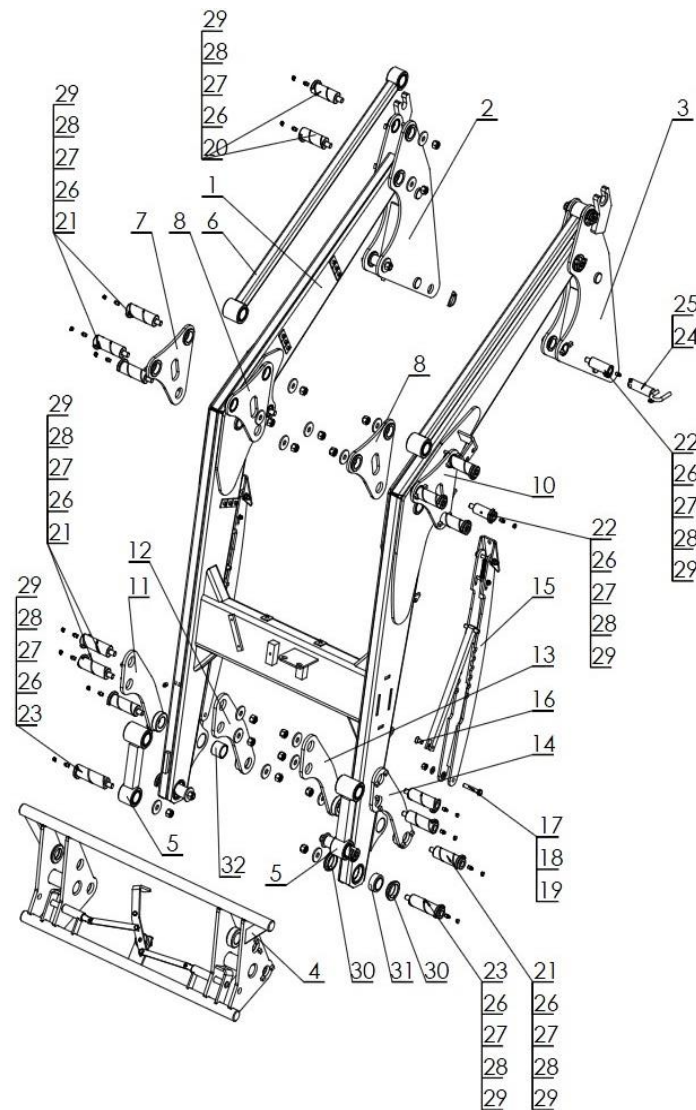


Tabela 4. Boom, complete (until March 2014)

No	No.			Part or assembly name	Volume
	Type of Loader				
	T229-1	T229-K	T229-D		
1	T229-1 180.000.000	T229-K 180.000.000	T229-D 180.000.000	Jib	1
2	T229-1 012.000.000.2P			Lever I, right	1
3	T229-1 012.000.000.2L			Lever I, left	1
4	T229-1 008.000.000 (SMS) T229-1 080.000.000.1 (Euro)	T229-K 008.000.000 (SMS) T229-K 080.000.000 (Euro)		Mounting frame, complete	1
5	T229-1 010.000.000			Connector III, complete	2
6	T229-1 011.000.000		T229-D 011.000.000	Connector IV, complete	2
7	T229-1 000.014.000.1P			Support II right	1
8	T229-1 000.013.000.1P			Support I right	1
9	T229-1 000.013.000.1L			Support I left	1
10	T229-1 000.014.000.1L			Support II left	1
11	T229-1 000.016.000P			Support IV right	1
12	T229-1 000.015.000P			Support III right	1
13	T229-1 000.015.000L			Support III left	1
14	T229-1 000.016.000L			Support IV left	1
15	T229-1 066.000.000			Support foot, complete	2

No.	No.			Part or assembly name	Volume
	Type of Loader				
	T229-1	T229-K	T229-D		
16	POD-ELZ-000482			Countersunk head screw 12 x 25 galv., DIN7991	2
17	23S12/700C 8.8			Bolt 12 x 70 galv.	2
18	23P12OC			Washer okr.13	2
19	23NS12OC			Self locking nut M12	2
20	T229-1 000.020.000			Pin II, complete	4
21	T229-1 000.021.000			Pin III, complete	12
22	T229-1 000.022.000			Pin IV, complete	4
23	T229-1 000.020.000 (SMS frame)			Pin II, complete	4
	T229-1 000.200.000 (Euro frame)				4
24	T229-1 000.029.001			Locking pin, complete	2
25	23PR11			Cotter pin with a ring	2
26	23SM10/1			Grease nipple M10 x 1	24
27	23KOC			Protective cap	24
28	POD-ELZ-000455			Special washer diam. 17 x 50 x 6	24
29	23NS16OC			Self locking nut M16	24
30	T229-1 018.000.011			Thrust bushing I	8
31	25L040GE			Rocker bearing	4
32	25T40/50/40			Self-lubricating bushing	2

3. CONNECTOR IV, COMPLETE (UNTIL MARCH 2014)

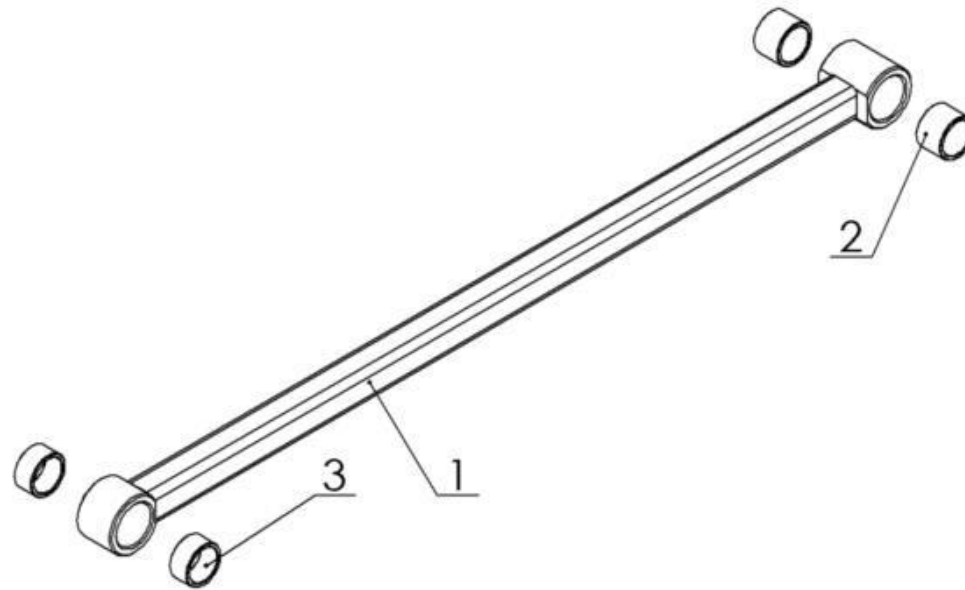


Tabela 5. Connector IV, complete (Until March 2014)

No.	No.			Part or assembly name	Volume
	Type of Loader				
	T229-1	T229-K	T229-D		
1	T229-1 011.001.000		T229-D 011.001.000	Coupling	1
2	25T40/50/35			Self-lubricating sleeve 40H8/50R7x35	2
3	25T40/50/25			Self-lubricating sleeve 40H8/50R7x25	2

4. EXTENSION ARM, VERSION V (FROM MARCH 2014 UNTIL 2016), COMPLETE

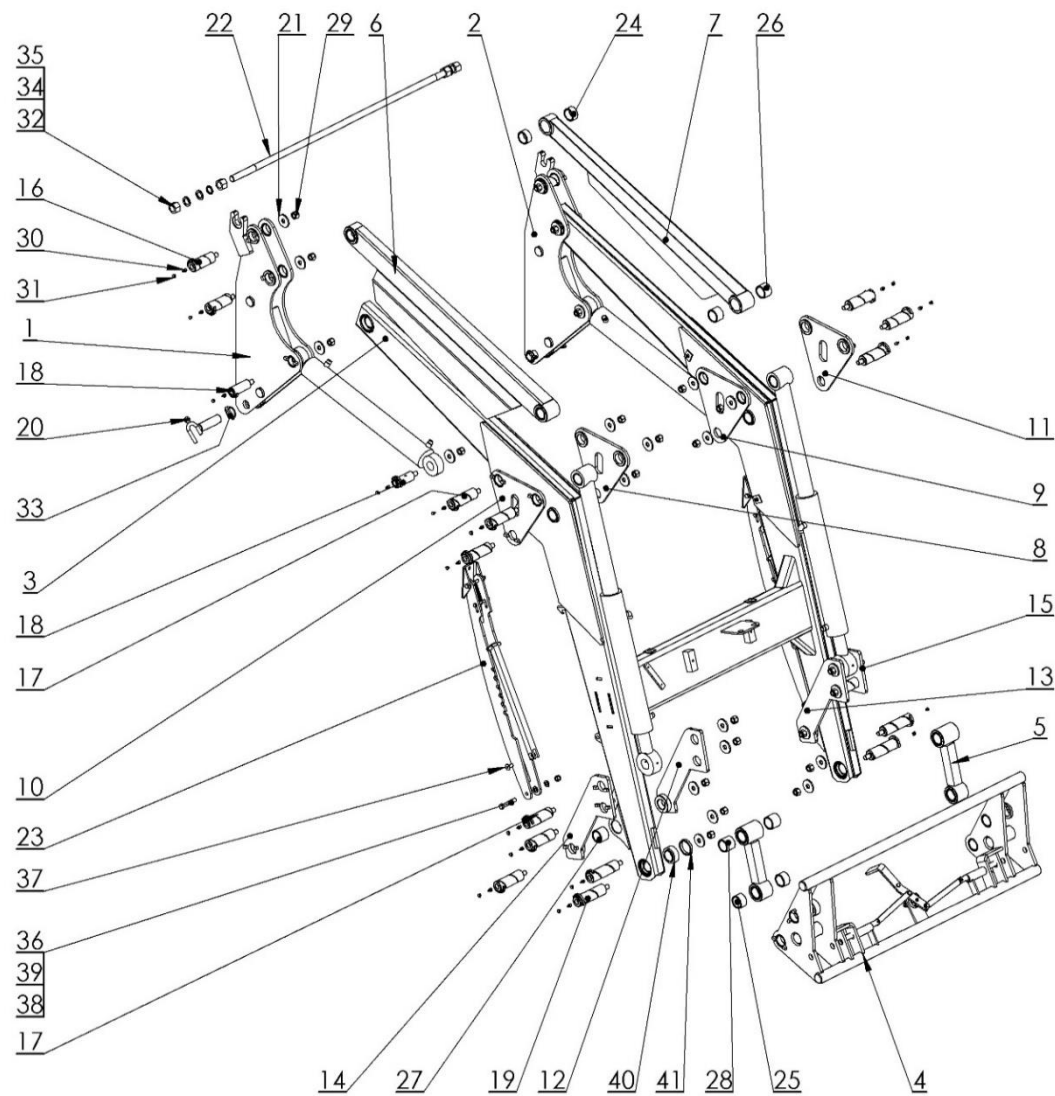


Tabela 6. Extension arm, version V (from March 2014 until 2016), complete

No.	No.			Part or assembly name	Volume
	Type of Loader				
	T229-1	T229-K	T229-D		
1	T229-1 012.000.000.2P			Lever I, right	1
2	T229-1 012.000.000.2L			Lever I, left	1
3	T229-1 180.000.000	T229-K 180.000.000	T229-D 180.000.000	Jib	1
4	T229-1 008.000.000 (SMS) T229-1 080.000.000.1 (Euro)	T229-K 008.000.000 (SMS) T229-K 080.000.000 (Euro)		Mounting frame, complete	1
5	T229-1 010.000.000			Connector III, complete	2
6	T229-1 110.001.000		T229-D.110.001.000	Connector IV, complete	2
7	T229-1 110.002.000		T229-D.110.002.000	Connector IV, complete	1
8	T229-1.130.001.000			Support II right	1
9	T229-1.130.002.000			Support I right	1
10	T229-1.140.001.000			Support I left	1
11	T229-1.140.002.000			Support II left	1
12	T229-1.150.001.000			Support IV right	1
13	T229-1.150.002.000			Support III right	1
14	T229-1.160.001.000			Support III left	1
15	T229-1.160.002.000			Support IV left	1

No.	No.			Part or assembly name	Volume
	Type of Loader				
	T229-1	T229-K	T229-D		
16	T229-1 000.020.000			Pin II, complete	4
17	T229-1 000.021.000			Pin III, complete	12
18	T229-1 000.022.000			Pin IV, complete	4
19	T229-1 000.020.000 (SMS frame) T229-1 000.200.000 (Euro frame)			Pin II, complete	4 4
20	T229-1 000.029.000			Locking pin, complete	2
21	POD-ELZ-000455			Special washer 17 x 50 x 6	24
22	T229-1 000.000.005	T229-K 000.000.005		Connecting rod II	4
23	T229-1.066.000.000			Support foot, complete	2
24	25T40/50/25			Self-lubricating bushing	4
25	25T40/50/30			Self-lubricating bushing	4
26	25T40/50/35			Self-lubricating bushing	4
27	25T40/50/40			Self-lubricating bushing	4
28	25T40/50/42			Self-lubricating bushing	2
29	23NS16OC			Self locking nut M16	24
30	23SM10/1			Grease nipple M10 x 1	24
31	23KOC			Protective cap	24
32	23N24OC			Nut M24	4

No.	No.			Part or assembly name	Volume
	Type of Loader				
	T229-1	T229-K	T229-D		
33	23PR11			Cotter pin	2
34	23P24OC			Washer okr.24	4
35	23P24SPOC			Washer spr.24	2
36	23S12/70OC 8.8			Bolt 12 x 70 galv.	2
37	POD-ELZ-000482			Countersunk head screw 12 x 25 galv., DIN7991	2
38	23P12OC			Washer okr.13	2
39	23NS12OC			Self locking nut M12	2
40	25L040GE			Rocker bearing	4
41	T229-1.018.000.011			Thrust bushing I	4

5. EXTENSION ARM, VERSION V (FROM 2016), COMPLETE

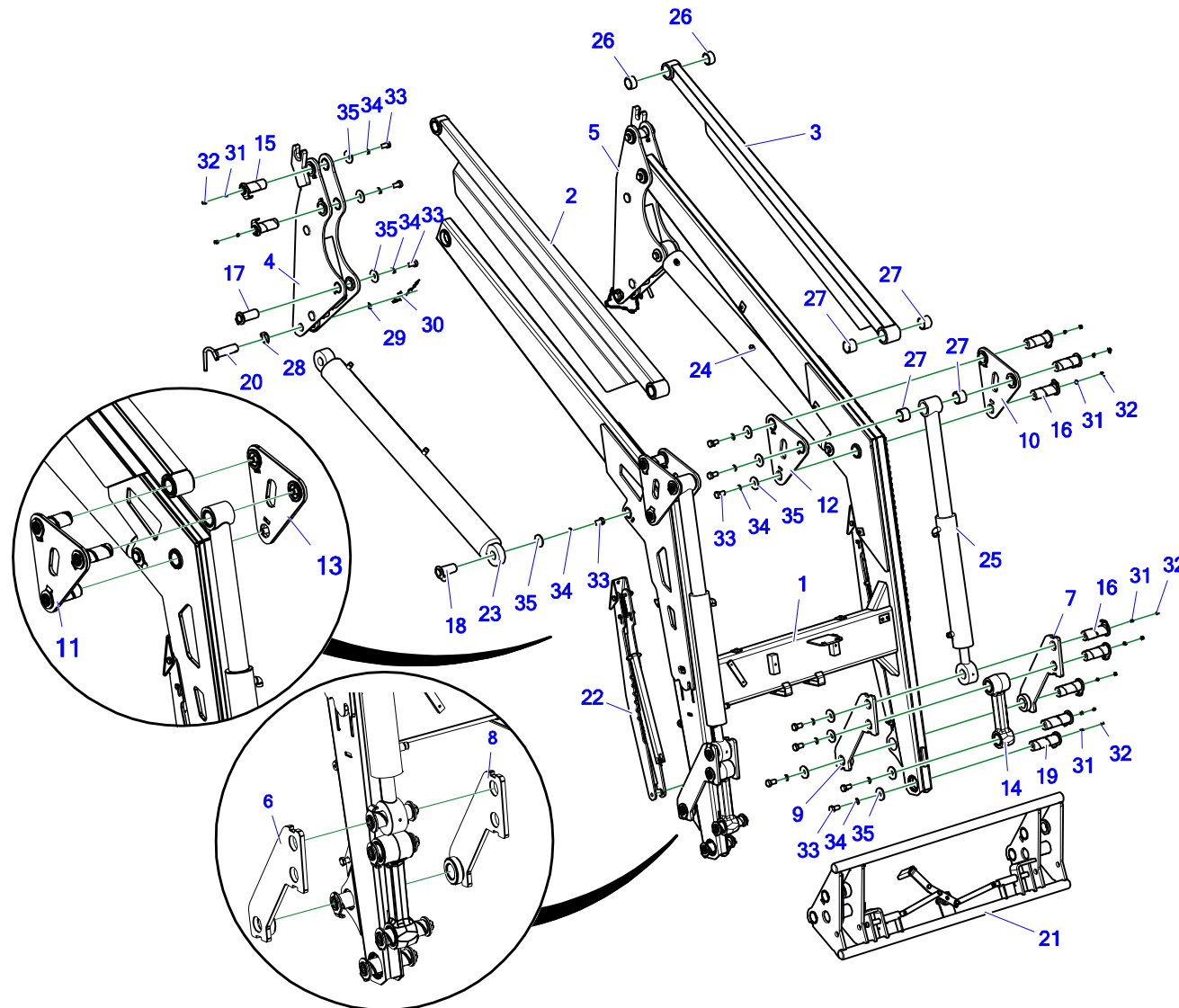


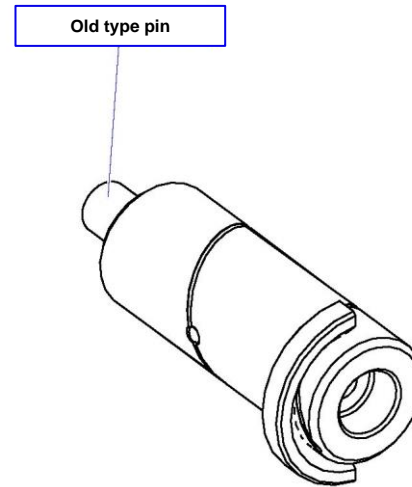
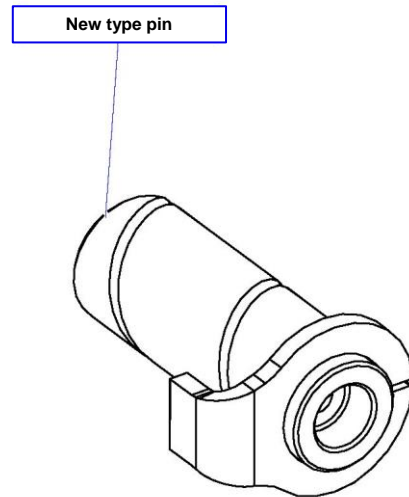
Tabela 7. Extension arm, version V (from 2016), complete

No	No.				Part or assembly name	Volume
	Type of Loader					
	T229-1	T229-K	T229-P	T229-D		
1	T229-1 180.000.000.3	T229-K 180.000.000.3	T229-P 180.000.000	T229-D 180.000.000.3	Jib	1
2	T229-1 110.001.000.1		T229-P 110.001.000	T229-D 110.001.000.2	Right connector, welded	1
3	T229-1 110.002.000.1		T229-P 110.002.000	T229-D 110.002.000.2	Left connector, welded	1
4	T229-1 012.000.000.4P				Lever I, right	1
5	T229-1 012.000.000.4L				Lever I, left	1
6	T229-1 160.001.000.1	T229-1 160.001.000.1	T229-1 150.002.000.1	T229-1 160.001.000.1	Support IV right	1
7	T229-1 160.002.000.1	T229-1 160.002.000.1	T229-1 150.001.000.1	T229-1 160.002.000.1	Support IV left	1
8	T229-1 150.001.000.1	T229-1 150.001.000.1	T229-1 150.001.000.1	T229-1 150.001.000.1	Support III right	1
9	T229-1 150.002.000.1	T229-1 150.002.000.1	T229-1 150.002.000.1	T229-1 150.002.000.1	Support III left	1
10	T229-1 140.002.000.1	T229-1 140.002.000.1	T229-1 130.002.000.1	T229-1 140.002.000.1	Support II left	1
11	T229-1 140.001.000.1	T229-1 140.001.000.1	T229-1 130.001.000.1	T229-1 140.001.000.1	Support II right	1
12	T229-1 130.002.000.1	T229-1 130.002.000.1	T229-1 130.002.000.1	T229-1 130.002.000.1	Support I left	1
13	T229-1 130.001.000.1	T229-1 130.001.000.1	T229-1 130.001.000.1	T229-1 130.001.000.1	Support I right	1
14	T229-1.010.000.000				Connector III, complete	2
15*	T229-1 000.020.000.2				Pin I, complete	4

No	No.				Part or assembly name	Volume
	Type of Loader					
	T229-1	T229-K	T229-P	T229-D		
16*	T229-1 000.021.000.2				Pin III, complete	12
17*	T229-1 000.023.000.1				Cylinder pin II, complete	2
18*	T229-1 000.022.000.2				Cylinder pin I, complete	2
19*	T229-1 000.200.000.3 (euro frame) T229-1 000.020.000.2 (sms frame) T229-1 000.021.000.2 (SkidSteer frame)	T229-1 000.200.000.3 (euro frame) T229-1 000.020.000.2 (sms frame) T229-1 000.021.000.2 (SkidSteer frame)	T229-1 000.200.000.3 (euro frame) T229-1 000.020.000.2 (sms frame) T229-1 000.021.000.2 (SkidSteer frame)	T229-1 000.200.000.3 (euro frame) T229-1 000.020.000.2 (sms frame) T229-1 000.021.000.2 (SkidSteer frame)	Pin II, complete Pin I, complete Pin III, complete	4
20*	T229-1 000.029.000.1				Locking pin	2
21	T229-1 080.000.000.1	T229-K 080.000.000	T229-P 080.000.000		Euro frame set	1
	T229-1 280.000.000	T229-K 280.000.000	T229-K 280.000.000	T229-K 280.000.000	SkidSteer frame complete	
	T229-1 008.000.000	T229-P 008.000.000.1	T229-P 008.000.000.1	T229-P 008.000.000.1	Mounting frame SMS complete	
22	T229-1 066.000.000				Support foot, complete	2
23	24SCJ70/40/500 P	24S90/45/500P	POD-HSL-000204	24SCJ90/45/500 S-40	Right actuator	1
24	24SCJ70/40/500	24S90/45/500L	POD-HSL-000203	24SCJ90/45/500	Left actuator	1
25	24SCJ70/36/400	24SCJ80/45/400	24SCJ80/45/400	24SCJ80/45/400	Tipping cylinder	2
26	25T40/50/25				Self-lubricating sleeve 40H8/50R7x25	4

No	No.				Part or assembly name	Volume
	Type of Loader					
	T229-1	T229-K	T229-P	T229-D		
27	25T40/50/35				Self-lubricating sleeve 40H8/50R7x35	8
28	23PR11				Cotter pin with a ring 11	2
29	23KK				Key ring	2
30	25LS				Clamping chain diam. 2 mm	2
31	23SM10/1				Lubricating nipple M10 x 1.0 straight	20
32	23KOC				Red protective cap	20
33	23S16/30OC 5.8-B				Screw 16 x 30 galv. 8.8 82105 82105	24
34	POD-ELZ-001066				Washer SCHNORR M16 type S	24
35	T229-1.000.000.023				Special washer POD-ELZ- 000455	24

*Pay attention when selecting the pins! (see figure below)



6. CONNECTOR III, COMPLETE

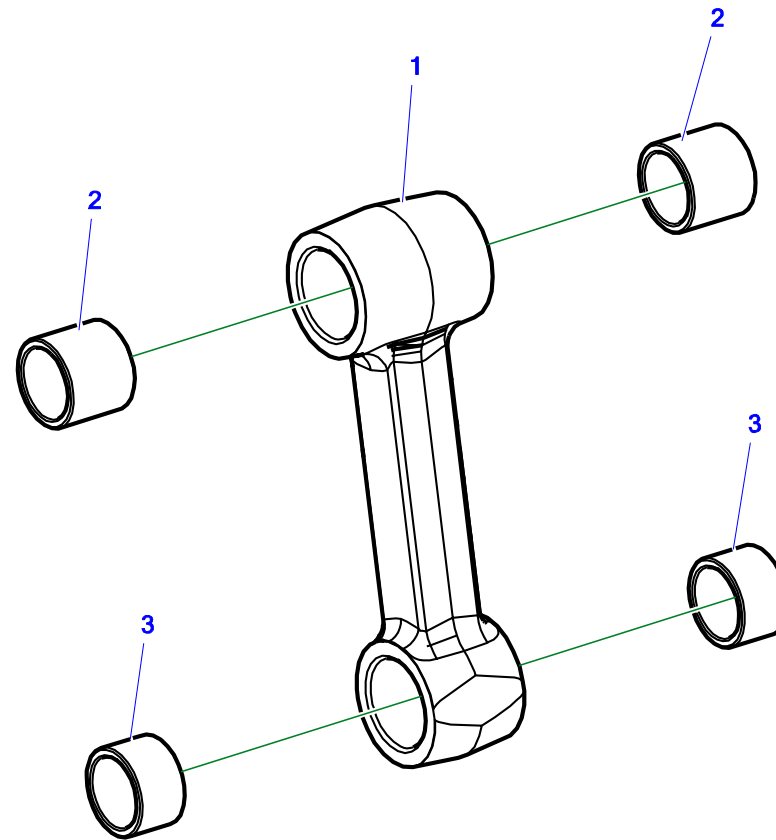


Tabela 8. Connector III, complete

No	No.				Part or assembly name	Volume
	Type of Loader					
	T229-1	T229-K	T229-P	T229-D		
1	T229-1 010.002.001				Connector III, forging	1
2	25T40/50/42				Self-lubricating sleeve 40H8/50R7x42	2
3	25T40/50/30				Self-lubricating sleeve 40H8/50R7x30	2

7. MOUNTING FRAME EURO/SMS CPL.

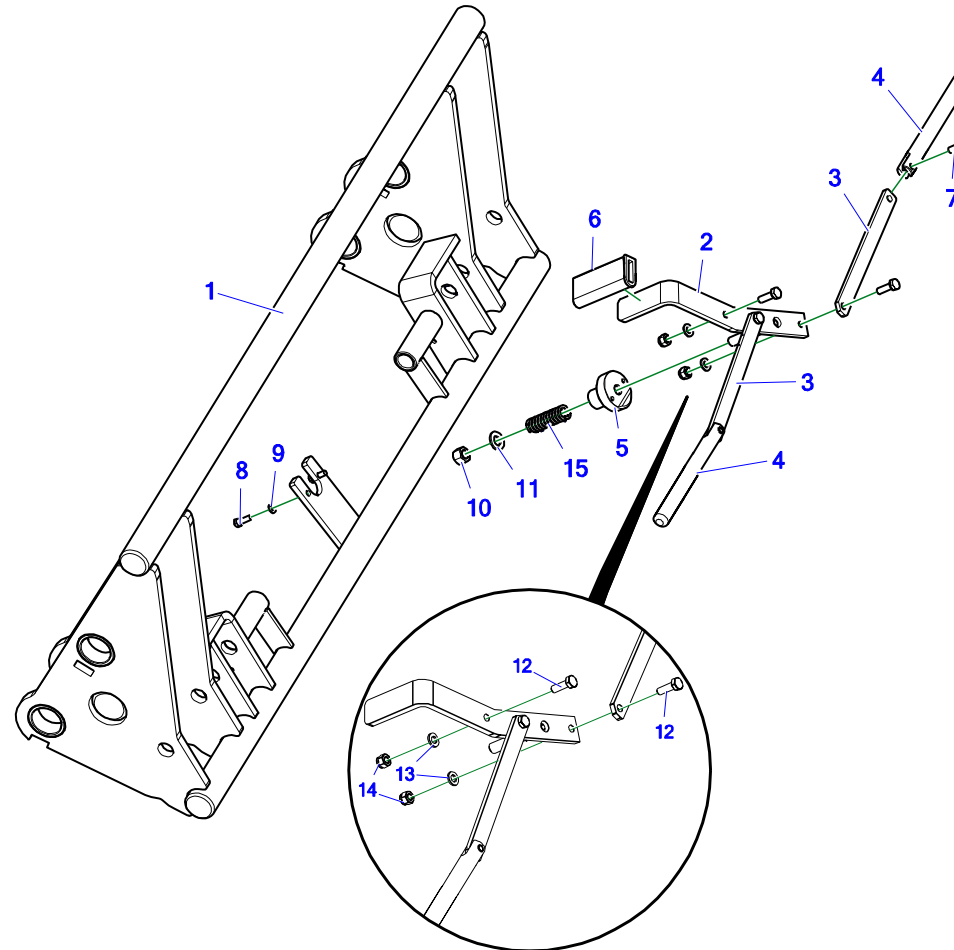


Tabela 9. Mounting frame euro/sms cpl.

No	No.				Part or assembly name	Volume
	Type of Loader					
	T229-1	T229-K	T229-P	T229-D		
1	T229-1 080.001.000.3 (EURO) T229-1 008.001.000.1 (SMS)	T229-K 080.001.000.2 (EURO) T229-P 008.001.000.1 (SMS)	T229-P 080.001.000 (EURO) T229-P 008.001.000.1 (SMS)	T229-K 080.001.000.2 (EURO) T229-P 008.001.000.1 (SMS)	Frame	1
2	T229-1 008.002.100.1				Arm I	1
3	T229-1.008.002.002				Arm II	2
4	T229-1 080.002.003 (EURO) T229-1 008.002.003 (SMS)				Pin	2
5	T229-1 008.002.004				Holder	1
6	POD-TSZ-000329				Handle guard 30 x 8 x 10 x 12 - T229	1
7	POD-ELZ-000347 (EURO) 23K8/25 (SMS)				Resilient stud 8 x 20 DIN 1481 Resilient stud 8 x 25 DIN 1481	2
8	23S6/20				Bolt 6 x 20 galv., 8.8 82105 82105 8.8	2
9	23P6OOC				Round washer 6 galv., 82005 82005	2
10	23NS12OC				Self-locking nut M12 galv., 82175 8 82175 8	1
11	23P12OC				Round washer 12 galv., 82005	1

No.	No.				Part or assembly name	Volume
	Type of Loader					
	T229-1	T229-K	T229-P	T229-D		
12	23S8/25OC8.8				Bolt 8 x 25 galv., 8.8 82105 82105	3
13	23P8OOC				Round washer 8 galv., 82005 82005	3
14	23NS8OC				Self-locking nut M8 galv., 82175 8 82175 8	3
15	23S3/12.5/60				Compression spring 3/18.5/60/14 galv., (maz- 2645) (KIG)	1

8. MOUNTING FRAME SKIDSTEER

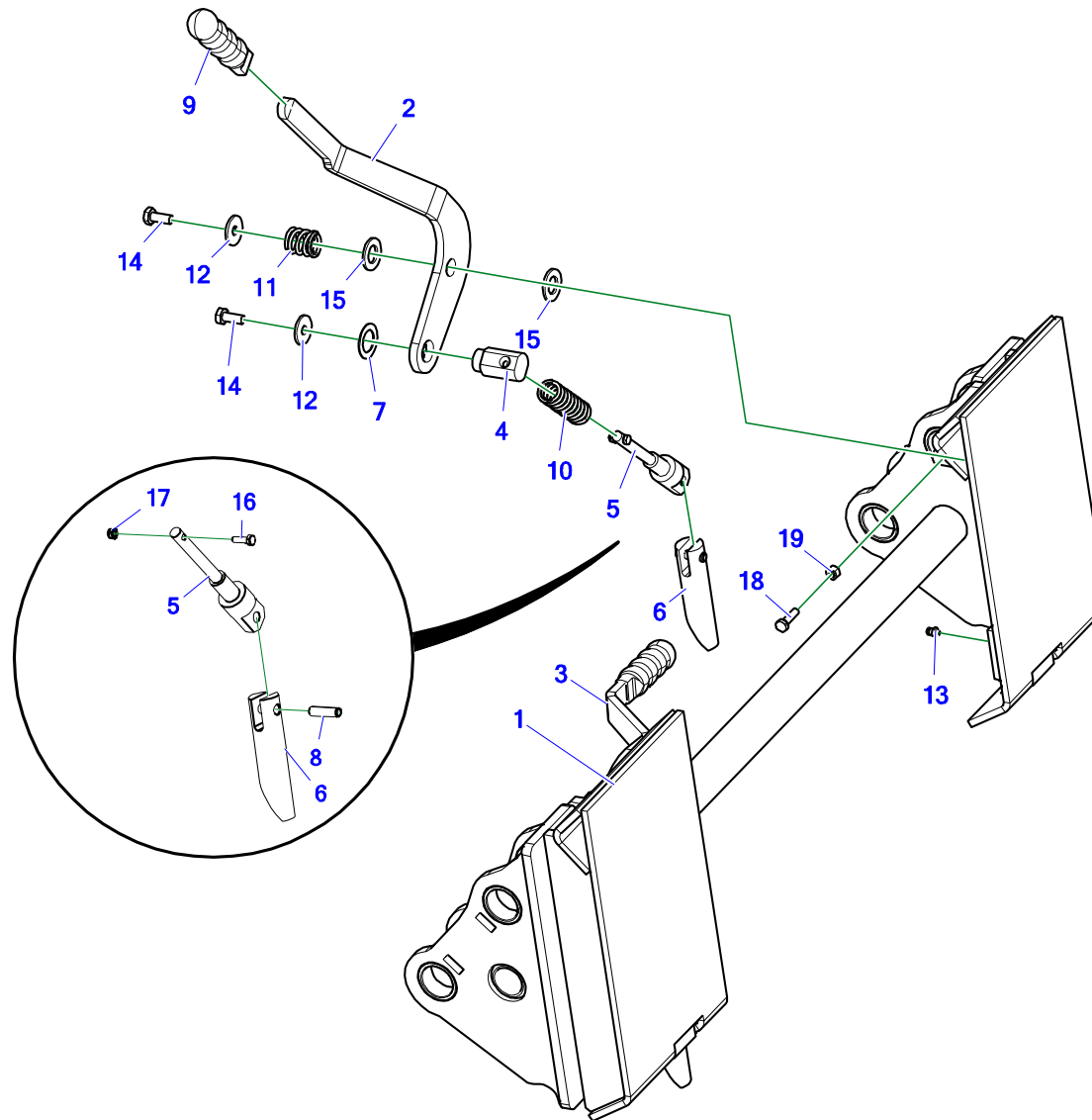


Tabela 10. Mounting frame Skidsteer

No	No.				Part or assembly name	Volume
	Type of Loader					
	T229-1	T229-K	T229-P	T229-D		
1	T229-K 280.001.000.1				Frame Skid Steer	1
2	T229-1 280.000.001L				Left lever	1
3	T229-1 280.000.001P				Right lever	1
4	T229-1 280.000.004				Rotation pin	2
5	T229-1 280.000.003				Spring pin	2
6	T229-1 280.000.002				Locking pin	2
7	T229-1 280.000.008				Adjusting washer 1.5 mm	2
8	POD-ELZ-001002				Resilient stud 10 x 36 DIN 1481	2
9	POD-TSZ-000291				Loader frame handle cover L120 diam. 35	2
10	T229-1 280.000.007				Long spring	2
11	T229-1 280.000.005				Short spring	2
12	POD-ELZ-000413				Round washer 10 galv., rough finish 82019	4
13	23SM				Grease nipple M6 x 1.0 straight	2
14	23S10/25OC 8.8				Bolt 10 x 25 galv., 8.8 82105 82105	4
15	23P20OOC				Round washer 20 galv., 82005 82005	4

No.	No.				Part or assembly name	Volume
	Type of Loader					
	T229-1	T229-K	T229-P	T229-D		
16	23S6/20				Bolt 6 x 20 galv., 8.8 82105 82105 8.8	2
17	23NS6OC				Self-locking nut M6 galv., 82175 8 82175 8	2
18	23S8/30OC 8.8				Bolt 8 x 30 galv., 8.8 82105 82105	4
19	23N8OC				Nut M8 galv., 82144 82144 5 82144	4

9. SUPPORT FOOT, COMPLETE

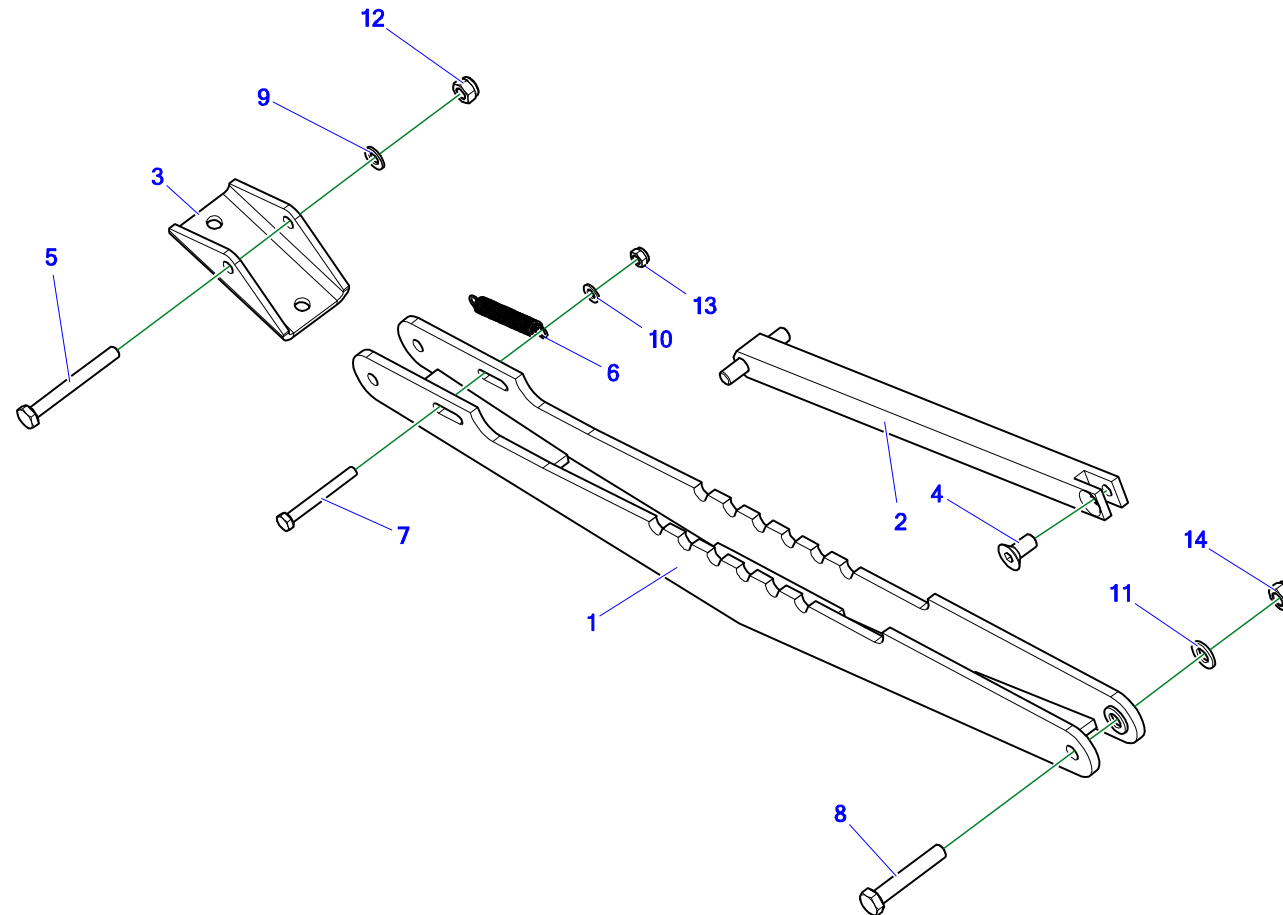


Tabela 11. Support foot, complete

No	No.				Part or assembly name	Volume
	Type of Loader					
	T229-1	T229-K	T229-P	T229-D		
1	T229-1 066.001.000.1				Foot frame	1
2	T229-1 066.003.000				Foot support complete	1
3	T229-1 066.000.002.1				Foot	1
4	POD-ELZ-000482				Counter sunk Allen screw 12 x 25 galv., 8.8 DIN7991	1
5	POD-ELZ-000462				Bolt 10 x 90 galv., 8,8 82101	1
6	23SN1.5/13/90				Compression spring 1.5/13/90/44 galv., (maz-1782) (KIG)	1
7	23S8/70OC				Bolt 8 x 70 galv., 8.8 82101 82101	1
8	23S12/70OC 8.8				Bolt 12 x 70 galv., 8.8 82101 82101	1
9	23P10 82005				Round washer 30 galv., 82005 82005	1
10	23P8OOC				Round washer 8 galv., 82005 82005	1
11	23P12OC				Round washer 12 galv., 82005	1
12	23NS10OC				Self-locking nut M10 galv., 82175 8 82175 8	1
13	23NS8OC				Self-locking nut M8 galv., 82175 8 82175 8	1
14	23NS12OC				Self-locking nut M12 galv., 82175 8 82175 8	1

10. LEVELLING INDICATOR, COMPLETE

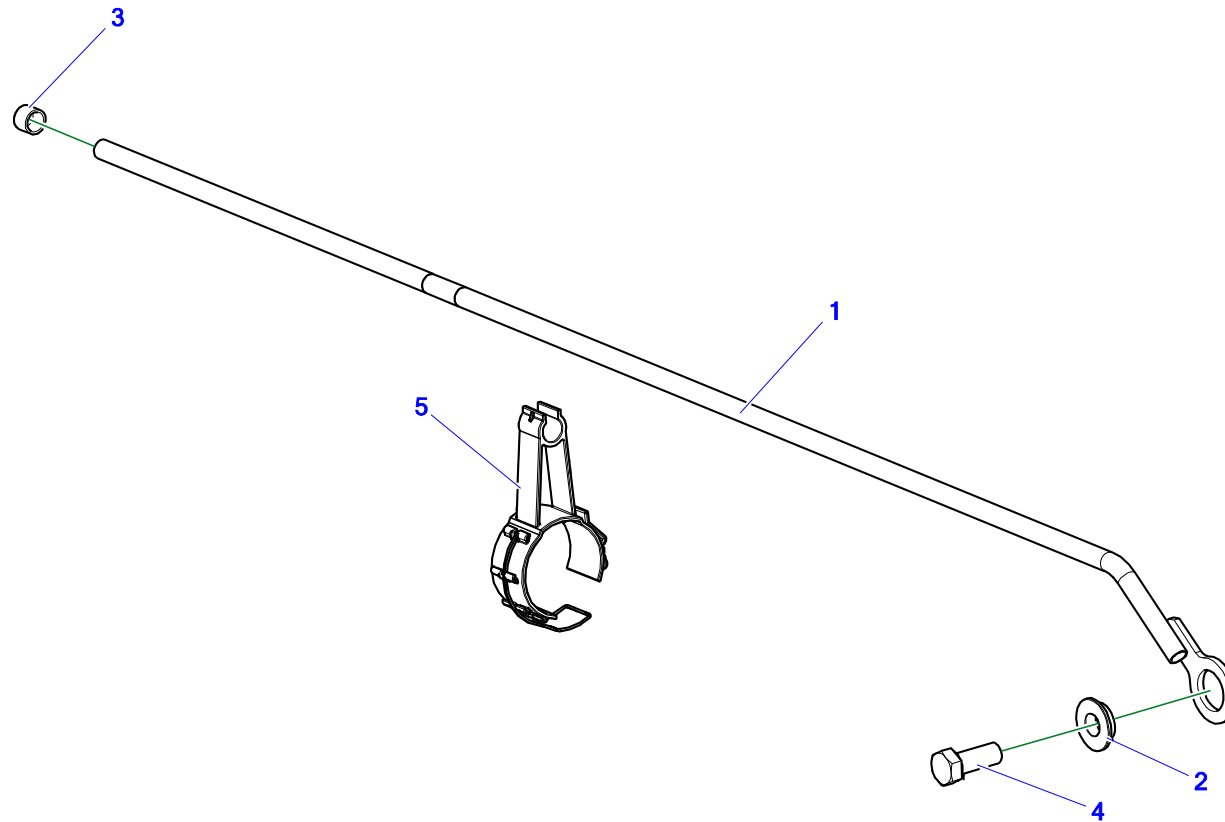


Tabela 12. Levelling indicator set

No.	No.				Part or assembly name	Volume
	Type of Loader					
	T229-1	T229-K	T229-P	T229-D		
1	T229-1 052.001.000				Levelling indicator rod, complete	1
2	T229-1 052.000.002				Spacer bushing	1
3	POD-TSZ-000226				Round plug, ext. 14 mm (Es-FCWA-0143-013)	1
4	23S16/35 8.8OC				Bolt 16 x 40 galv., 8.8 82105 82105	1
5	POD-OGL-000932				levelling rod holder, complete	1

11. HYDRAULIC SYSTEM, DOUBLE SECTION

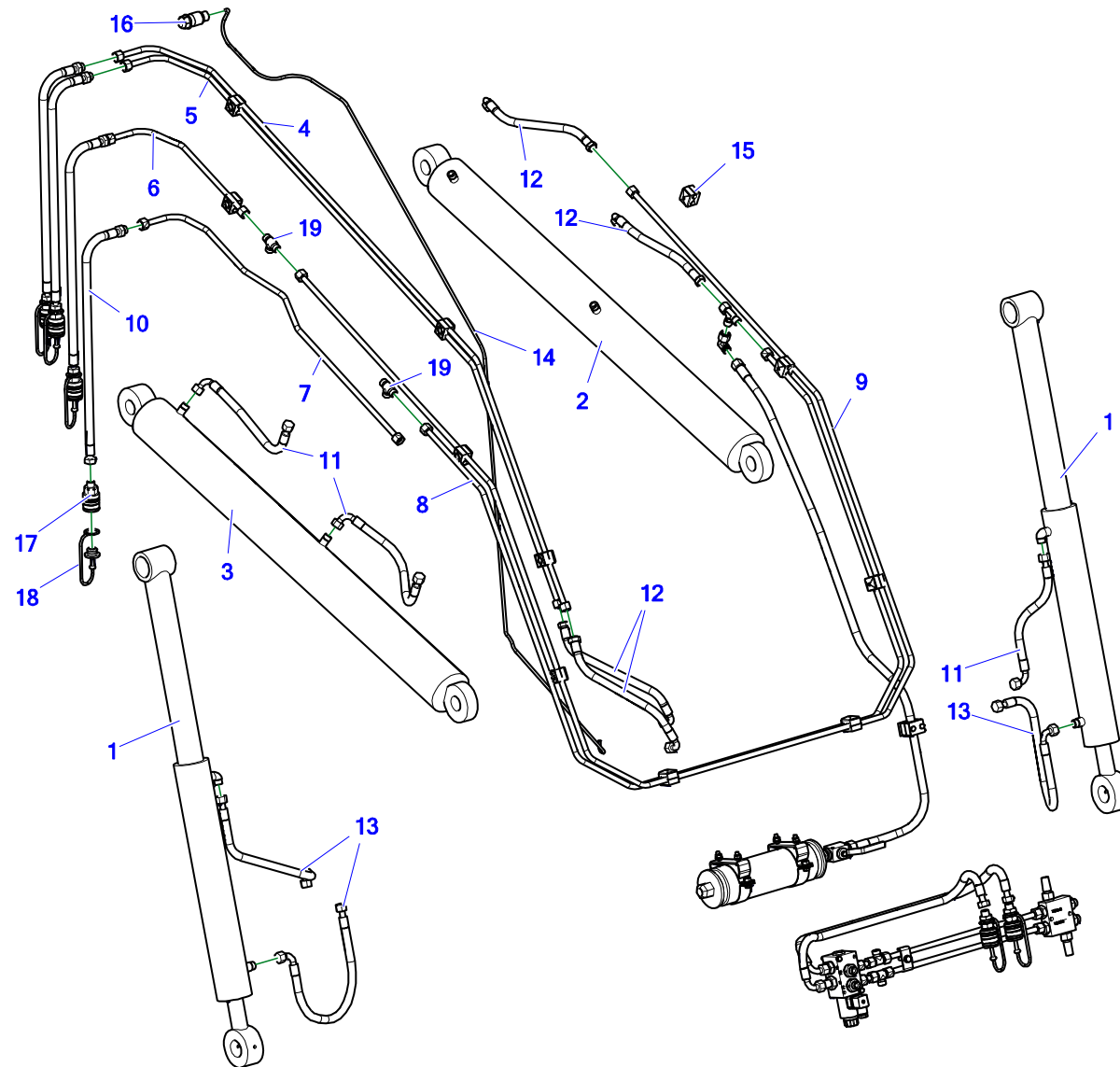


Tabela 13. Two-section hydraulic system

No.	No.							Part or assembly name	Volume
	Type of Loader								
	T229-1 lifting capacity 1300 kg	T229-1 lifting capacity 1600 kg	T229-K lifting capacity 1300 kg	T229-K lifting capacity 1600 kg	T229-P lifting capacity 1300 kg	T229-P lifting capacity 1600 kg	T229-D lifting capacity 1600 kg		
1	POD-HSL-000223 70/36/400		POD-HSL-000223 70/36/400					Membrane	2
2	POD-HSL-000225 70/40/500	POD-HSL-000289 80/40/500	POD-HSL-000225 70/40/500	POD-HSL-000289 80/40/500	POD-HSL-000268 70/40/490	POD-HSL-000246 90/45/490	POD-HSL-000242 90/45/500	Left actuator	1
3	POD-HSL-000224 70/40/500	POD-HSL-000288 80/40/500	POD-HSL-000224 70/40/500	POD-HSL-000288 80/40/500	POD-HSL-000267 70/40/490	POD-HSL-000245 90/45/490	POD-HSL-000243 290/45/500	Right actuator	1
4	POD-HPR-000467		POD-HPR-000467		T229-P 000.470.000		POD-HPR-000471	Steel hydraulic hose	1
5	POD-HPR-000466		POD-HPR-000466		T229-P 000.460.000		POD-HPR-000470	Steel hydraulic hose	1
6	POD-HPR-000465		POD-HPR-000465		T229-P 000.450.000		POD-HPR-000469	Steel hydraulic hose	1
7	POD-HPR-000464		POD-HPR-000464		T229-P 000.440.000		POD-HPR-000468	Steel hydraulic hose	1
8	POD-HPR-000119		POD-HPR-000120		T229-P 000.430.000		POD-HPR-000117	Steel hydraulic hose	1
9	POD-HPR-000118		POD-HPR-000121		T229-P 000.420.000		POD-HPR-000116	Steel hydraulic hose	1
10	24PAB10/2-900 13/10							Hydraulic hose loader AB/211/10 L-900	4

No.	No.							Part or assembly name	Volume
	Type of Loader								
	T229-1 lifting capacity 1300 kg	T229-1 lifting capacity 1600 kg	T229-K lifting capacity 1300 kg	T229-K lifting capacity 1600 kg	T229-P lifting capacity 1300 kg	T229-P lifting capacity 1600 kg	T229-D lifting capacity 1600 kg		
11	POD-HPR-000110							Hydraulic hose loader AA90/211/10 L-400	3
12	24PA90B10/2-400							Hydraulic hose loader A90B/211/10 L-400	4
13	24PA90A10/2-550							Hydraulic hose loader AA90/211/10 L-550	3
14	POD-ELK-000192				POD-ELK-000193			Wiring harness for T229-1-D	1
15	POD-HPZ-000010-1							Handle HBK diam. 12 x 2 – double	11
16	POD-ELK-000198							Plug 251100	1
17	24ZG M18/1.5							Valve-socket EURO M18 x 1.5	4
18	24ZGNE13							Valve socket cap EURO13 (green, yellow, blue, red)	4
19	24KT18/18/18							T-connector 18 x 18 x 18 12L	2

12. SOLENOID VALVE ASSEMBLY

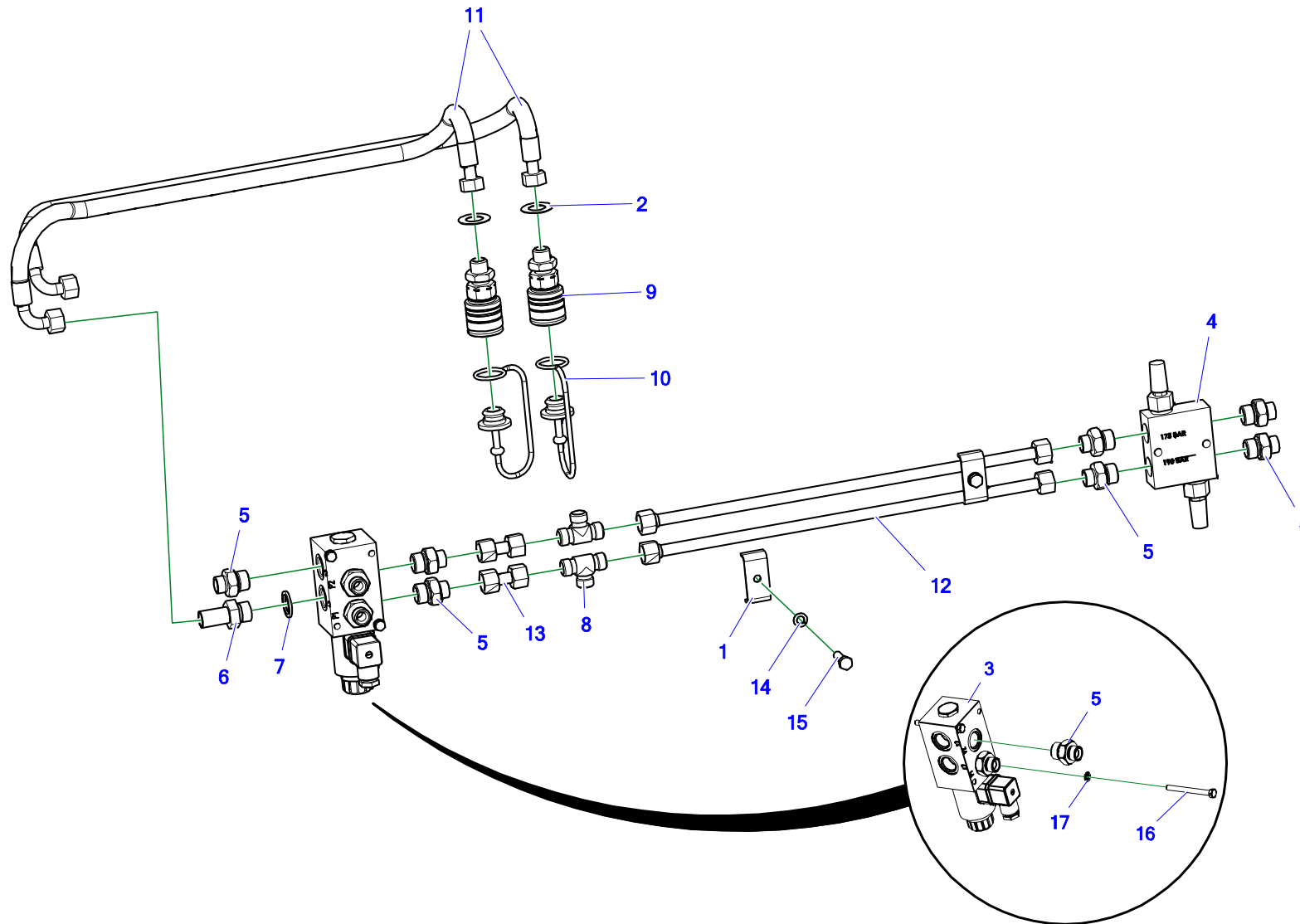


Tabela 14. Solenoid valve assembly

No	No.				Part or assembly name	Volume
	Type of Loader					
	T229-1	T229-K	T229-P	T229-D		
1	T229-1 000.000.025.1				Clamping ring II	2
2	T229-1 000.000.006				Washer 19 x 34 x 1	2
3	24DE				Electrical splitter 6/2	1
4	24ZP				Cross over relief valve VBDC3802 210b -VAU 1/2cal	1
5	24KP1/2 18				Straight connection 1/2 edx18-1.5	9
6	24SG1/2-M18X1.5				Bulkhead screw 0.5in to M18 x 1.5	1
7	POD-HPZ-000044-1				Metal & rubber washer PPM 1/2"	1
8	24KT18/18/18				T-connector 18 x 18 x 18 12L	2
9	POD-HZW-000039				EURO valve seat M18 x 1.5 long	2
10	24ZGNE13				Valve socket cap EURO13 (green, yellow, blue, red)	2
11	24PA90A10/2-750				Hydraulic hose loader AA90/211/10 L-750	2
12	24PST229-1.000.049.001.2	T229-K.000.049.001.2			Steel hydraulic line	2
13	24KZP18/18				Threaded straight union 18 x 18-1.5 (tube)	2
14	23P8SPOC				Spring washer 8.2 galv., 82008 82008	2

No.	No.				Part or assembly name	Volume
	Type of Loader					
	T229-1	T229-K	T229-P	T229-D		
15	23S8/30OC 8.8				Bolt 8 x 30 galv., 8.8 82105 82105	2
16	POD-ELZ-000447				Bolt 6 x 65 galv., 8,8 82101	2
17	23P6SPOC				Spring washer, 6.1 galv., 82008 82008	2

13. MEMBRANE HYDRAULIC ACCUMULATOR ASSEMBLY

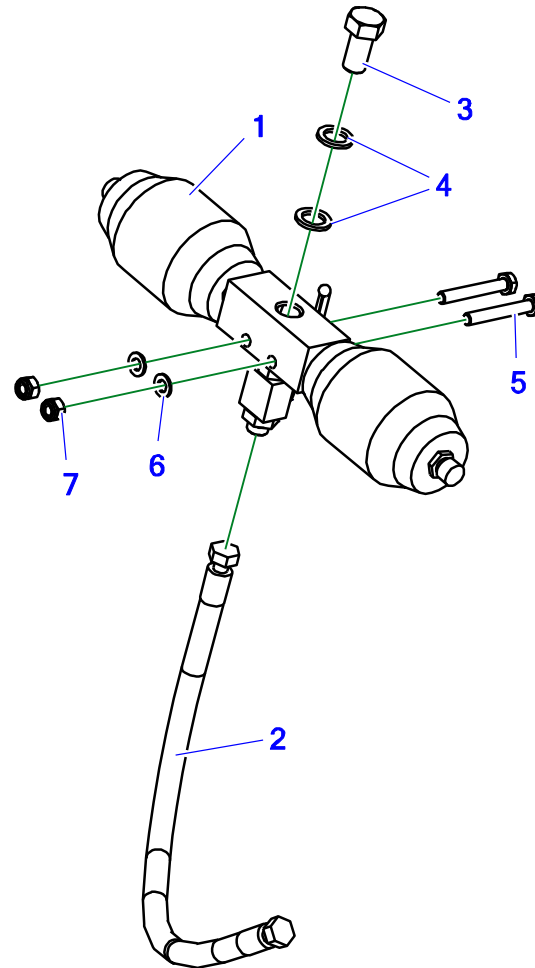


Tabela 15. Membrane hydraulic accumulator assembly

No	No.				Part or assembly name	Volume
	Type of Loader					
	T229-1	T229-K	T229-P	T229-D		
1	24HA				Hydraulic damper assembly	1
2	AA/211/10 L-550				rubber hose	1
3	POD-ELZ-000735				Inch bolt 3/4 x 1.1/2 UNF (38-42 mm) 10.9 82105 galv.	1
4	POD-ELZ-000472				Washer NORD-LOCK NL20 (20.4 x 30.7 x 3)	2
5	POD-ELZ-000742				Bolt 10 x 70 galv., 10,9 82101	2
6	23P10OOC				Round washer 10, black 82005 82005	2
7	23NS10OC				Self-locking nut M10 galv., 82175 8 82175 8	2

14. PISTON HYDRAULIC ACCUMULATOR UNIT ASSEMBLY

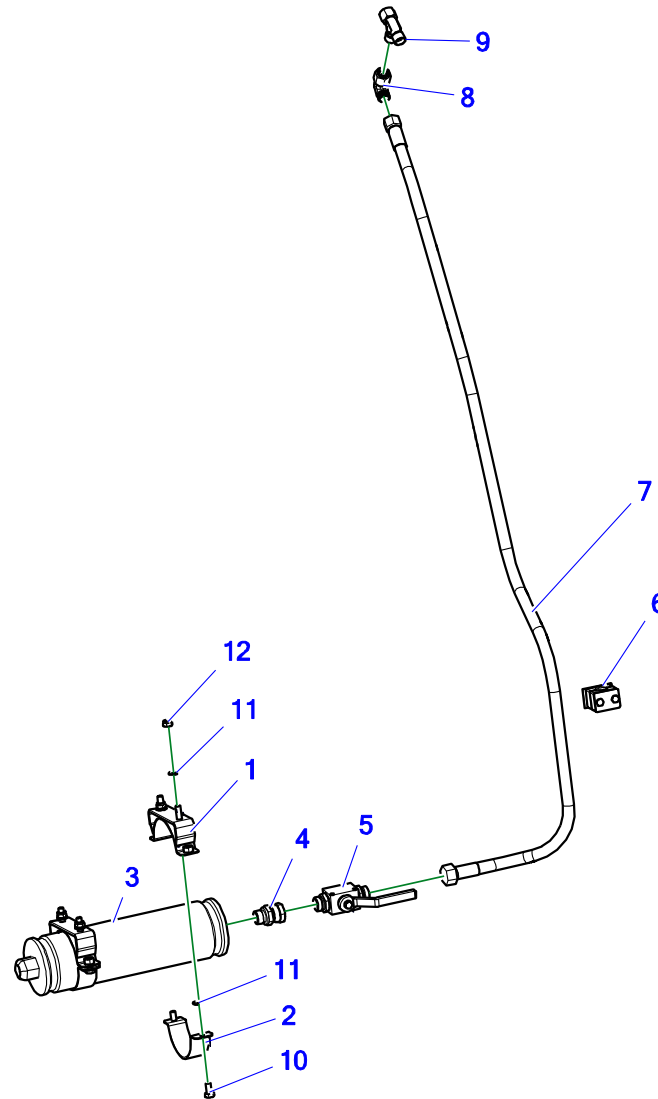


Tabela 16. Piston hydraulic accumulator unit assembly

No	No.				Part or assembly name	Volume
	Type of Loader					
	T229-1	T229-K	T229-P	T229-D		
1	T229-1 000.001.000				Accumulator clamping ring, complete	2
2	T229-1 000.001.103				90 mm screw-on clamping ring	2
3	POD-HPZ-000289				Piston hydraulic accumulator 1L 90 x 336 (25 bar)	1
4	24PP1/2 M22/1,5 FI15				Straight connector 1/2" ext. - M22 x 1.5 diam. 15 screwed-on	1
5	POD-HZW-000016-1				Ball valve RS2 15L (with holes)	1
6	POD-HPZ-000184				Handle HBK diam. 18 single	1
7*	POD-HPR-000831		POD-HPR-000968		Rubber hose AA/241/10	1
8	24KPKN18X1.5				Adjustable elbow connector AB M18 x 1.5 12L	1
9	POD-HKR-000121				T-connector, asymmetrical 18 x 18 x 18-1.5 12L with nut on side	1
10	23S8/16 8.8 82105 OC.				Bolt 8 x 16 galv., 8,8 82105 82105	4
11	23P8OOC				Round washer 8 galv., 82005 82005	8
12	23NS8OC				Self-locking nut M8 galv., 82175 8 82175 8	4

*Line lengths: POD-HPR-000831 – L = 950 mm
 POD-HPR-000968 – L = 1450 mm

15. PICTOGRAMS



MAKE SURE YOU HAVE READ THE INSTRUCTION MANUAL BEFORE STARTING THE MACHINE AND STRICTLY ADHERE TO RECOMMENDATIONS CONCERNING SAFETY OF WORK DURING MACHINE OPERATION

IT IS PROHIBITED TO USE THE LOADER FOR LIFTING REQUIRING PEOPLE TO BE PRESENT NEAR THE LOAD BEING LIFTED

IT IS PROHIBITED TO USE THE LOADER FOR LIFTING REQUIRING PEOPLE TO BE PRESENT NEAR THE LOAD BEING LIFTED



Lifting capacity
1300 kg

Lifting capacity
1300 kg

Lifting capacity
1600 kg

Lifting capacity
1600 kg

POD-OST-000776
 POD-OST-000272
 POD-OST-000602

POD-OST-000600
 POD-OST-000602
 27NT-229

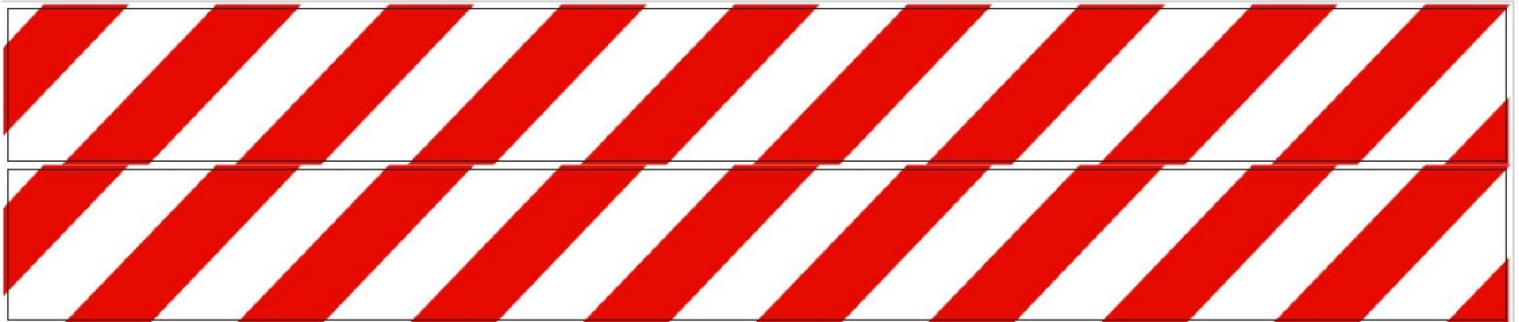


Tabela 17. Pictograms

No	No.				Part or assembly name	Volume
	Type of Loader					
	T229-1	T229-K	T229-P	T229-D		
1	POD-OST-000776* POD-OST-000272*	27NT-229	POD-OST-000602	POD-OST-000600	Stickers T229	1

* POD-OST-000776 – red stickers
 POD-OST-000272 – white stickers

NOTES

A series of 20 horizontal dotted lines for taking notes.

A series of 20 horizontal dotted lines spanning the width of the page, intended for handwritten notes or a list of parts.

A series of 20 horizontal dotted lines spanning the width of the page, providing a template for handwritten text or notes.



Metal-Fach Sp. z o.o. is constantly improving its products and adjusting its package to the needs of its customers, so it reserves the right to make changes to its product range without notice. Therefore, before making your purchase decision, please contact an authorised dealer or sales representative of Metal-Fach Sp. z o.o.

Metal-Fach Sp. z o.o. will not accept any complaints regarding the data and pictures contained in the catalogue, as the presented range of products does not constitute an offer within the meaning of the provisions of the Civil Code. The pictures do not necessarily show standard accessories.

Original spare parts are available from authorised dealers, both in Poland and abroad, and also at the Metal-Fach retail outlet.

TECHNICAL SERVICE

16-100 Sokółka, ul. Kresowa 62

Telephone: +48 85 711 07 80; Fax: +48 85 711 07 93

serwis@metalfach.com.pl

SALES

16-100 Sokółka, ul. Kresowa 62

Telephone: +48 85 711 07 78; Fax: +48 85 711 07 89

handel@metalfach.com.pl

SPARE PARTS WHOLESALE STORE

16-100 Sokółka, ul. Kresowa 62

Wholesale:

Telephone: +48 85 711 07 80; Fax: +48 85 711 07 93

serwis@metalfach.com.pl

Retail

Telephone: +48 85 711 07 80; Fax: +48 85 711 07 93

serwis@metalfach.com.pl

CURRENT INFORMATION ABOUT OUR PRODUCTS CAN BE FOUND ON WWW.METALFACH.COM.PL

