



METAL-FACH



FRONT LOADER
T248
PARTS CATALOGUE
REV. III
2022

Parts Catalogue No. T248-03/2020



The information included in the catalogue is valid as of the date of its preparation. The manufacturer reserves its right to make design changes to machines, and due to this, some values or illustrations might not correspond to the actual state of the machine supplied to the user. The manufacturer reserves its right to make design changes without changing this catalogue.

Table of Contents

1. LOADER, COMPLETE	4
2. EXTENSION ARM, COMPLETE	6
3. TOOL HOLDER FRAME	10
4. HYDRAULIC SYSTEM	12
5. HYDRAULIC ACCUMULATOR	16
6. SUPPORT FOOT, COMPLETE	18
7. LEVELLING INDICATOR, COMPLETE	20
NOTES.....	22

1. LOADER, COMPLETE

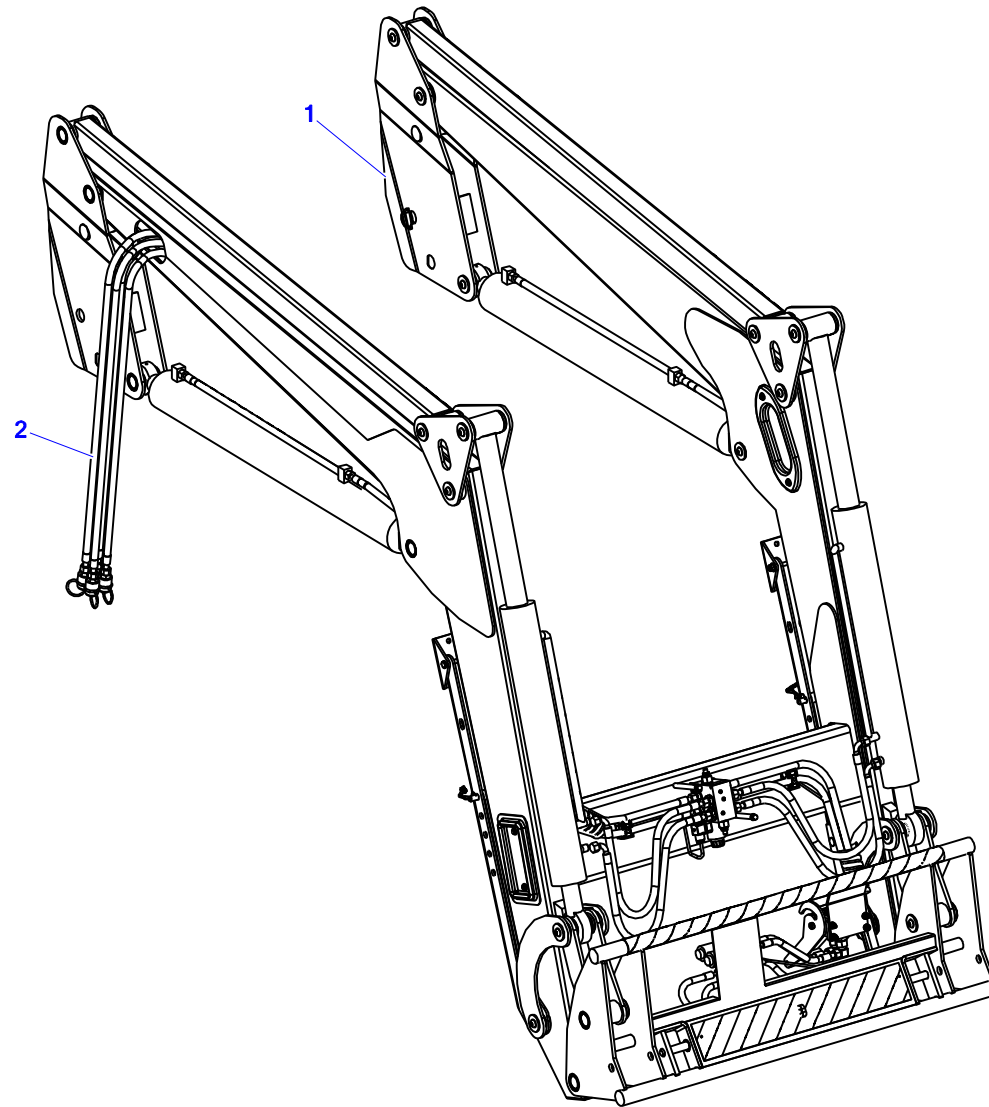


Tabela 1. Loader, complete

No.	Type of Loader		Part or assembly name
	T248-V.01B	T248-V.D1B	
1	T248.001.000.000	T248-D.001,000,000	Extension arm, complete
2	SEE PAGE 14		Hydraulic system
*	Depending on the tractor model		The frame mounted on a tractor

2. EXTENSION ARM, COMPLETE

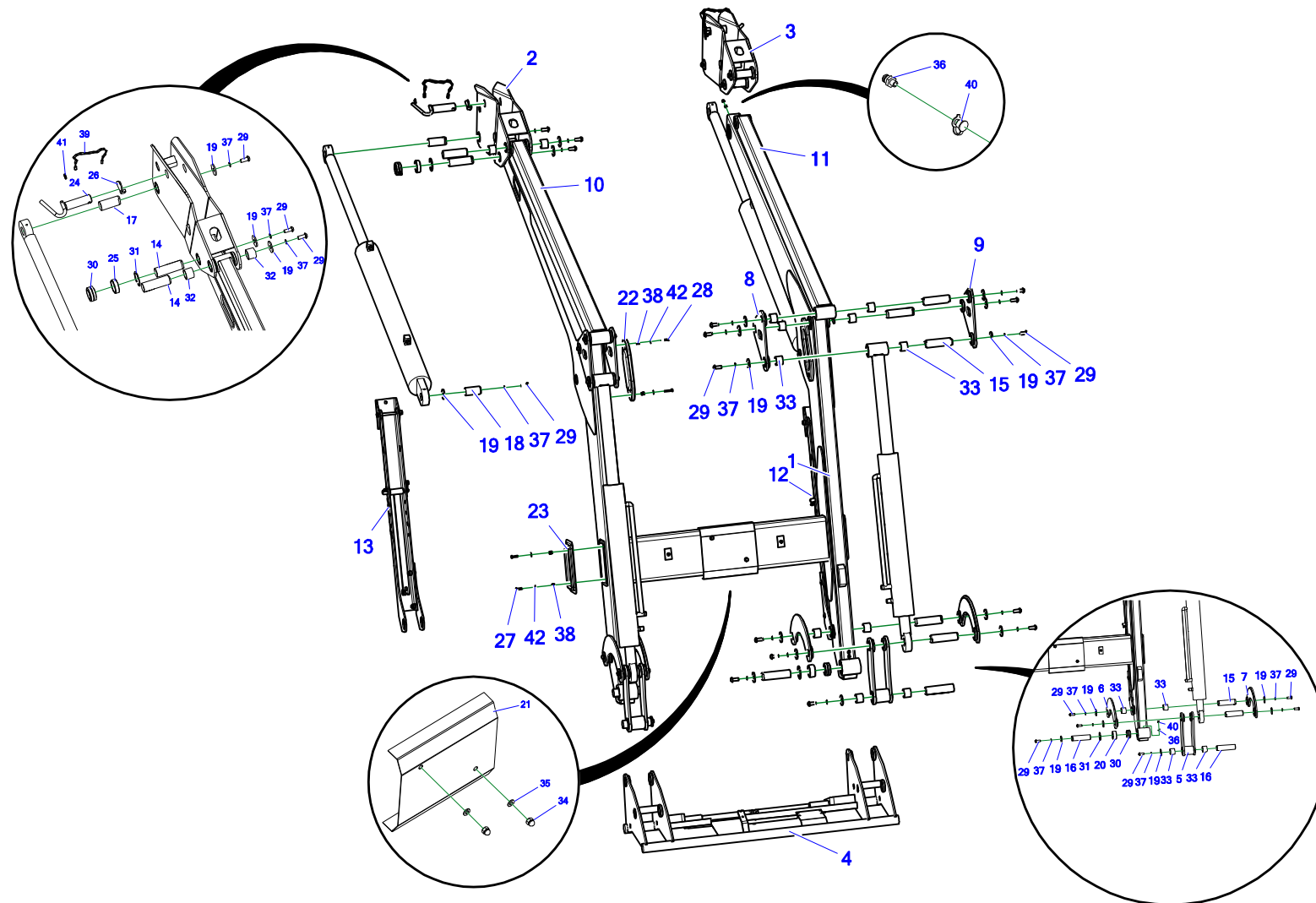


Tabela 2. Extension arm, complete

No.	Type of Loader		Part or assembly name	Volume
	T248-V.01B	T248-V.D1B		
1	T248.001.000.000	T248-D.001,000,000	Long arm assy.	1
2	T248.002.001.000	T248.002.001.000	Right lever assy.	1
3	T248.002.002.000	T248.002.002.000	Left lever assy.	1
4	T248.004.001.000	T248.004.001.000	Adapter frame for coupling tools and accessories EURO	1
5	T248.005.001.000	T248.005.001.000	Lower welded connector	2
6	T248.006.001.000	T248.006.001.000	Right foot set	2
7	T248.006.002.000	T248.006.002.000	Left foot set	2
8	T248.007.001.000	T248.007.001.000	Upper right connector set	2
9	T248.007.002.000	T248.007.002.000	Upper left connector set	2
10	T248.008.001.000	T248-D.008,001,000	Welded upper right connector	1
11	T248.008.002.000	T248-D.008,002,000	Welded upper left connector	1
12	T248.009.002.000	T248.009.002.000	Left foot set	1
13	T248.009.001.000	T248.009.001.000	Right foot set	1
14	T248.010.000.001	T248.010.000.001	Pin I	4
15	T248.010.000.002	T248.010.000.002	Pin II	10
16	T248.010.000.003	T248.010.000.003	Pin III	4
17	T248.010.000.004	T248.010.000.004	Pin IV	2

No.	Type of Loader		Part or assembly name	Volume
	T248-V.01B	T248-V.D1B		
18	T248.010.000.005	T248.010.000.005	Pin V	2
19	T248.000.000.011	T248.000.000.011	Special washer	32
20	T248.000.000.015	T248.000.000.015	Sleeve I locking the bearing	2
21	T241-1.000.000.016	T241-1.000.000.016	Divider cover	1
22	POD-TSZ-000310	POD-TSZ-000310	Inner profile guard black	2
23	POD-TSZ-000309	POD-TSZ-000309	Outer connecting tube guard black	2
24	T229-1 000.029.000.1	T229-1 000.029.000.1	Locking pin	2
25	T248.000.000.016	T248.000.000.016	Sleeve II locking the bearing	2
26	23PR11	23PR11	Cotter pin with a ring 11	2
27	23S6/25OC 105	23S6/25OC 105	Bolt 6 x 25 galv., 8.8 82105	4
28	23S6/35OC	23S6/35OC	Bolt 6 x 35 galv., 8.8 82105	4
29	POD-ELZ-000634	POD-ELZ-000634	Mushroom head bolt Allen bolt 12 x 30 ISO 7380 galv. 10.9	32
30	POD-LOZ-000009-1	POD-LOZ-000009-1	Bearing GE 035 ES 2RS	4
31	POD-ELZ-000516	POD-ELZ-000516	Circlip, W55	4
32	POD-LOZ-000203	POD-LOZ-000203	Bush GSM-3539-30	4
33	POD-LOZ-000220	POD-LOZ-000220	Sleeve GSM-3539-40	20
34	POD-ELZ-000607	POD-ELZ-000607	Cap nut M8 galv., 82181	2
35	23P8OOC	23P8OOC	Round washer 8 galv., 82005 82005	2

No.	Type of Loader		Part or assembly name	Volume
	T248-V.01B	T248-V.D1B		
36	23SM	23SM	Grease nipple M6 x 1.0 simple	4
37	POD-ELZ-000906	POD-ELZ-000906	Washer SCHNORR M12 type S	32
38	POD-ELZ-000001-1	POD-ELZ-000001-1	Flanged cylindrical rivet nut With knurled shank M6 x 14 FE	8
39	25LS	25LS	Clamping chain diam. 2 mm	2
40	23KOC	23KOC	Red protective cap	4
41	23KK	23KK	Key ring	2
42	23P6OC030	23P6OC030	Round washer 6 galv., coated 82030	8

3. TOOL HOLDER FRAME

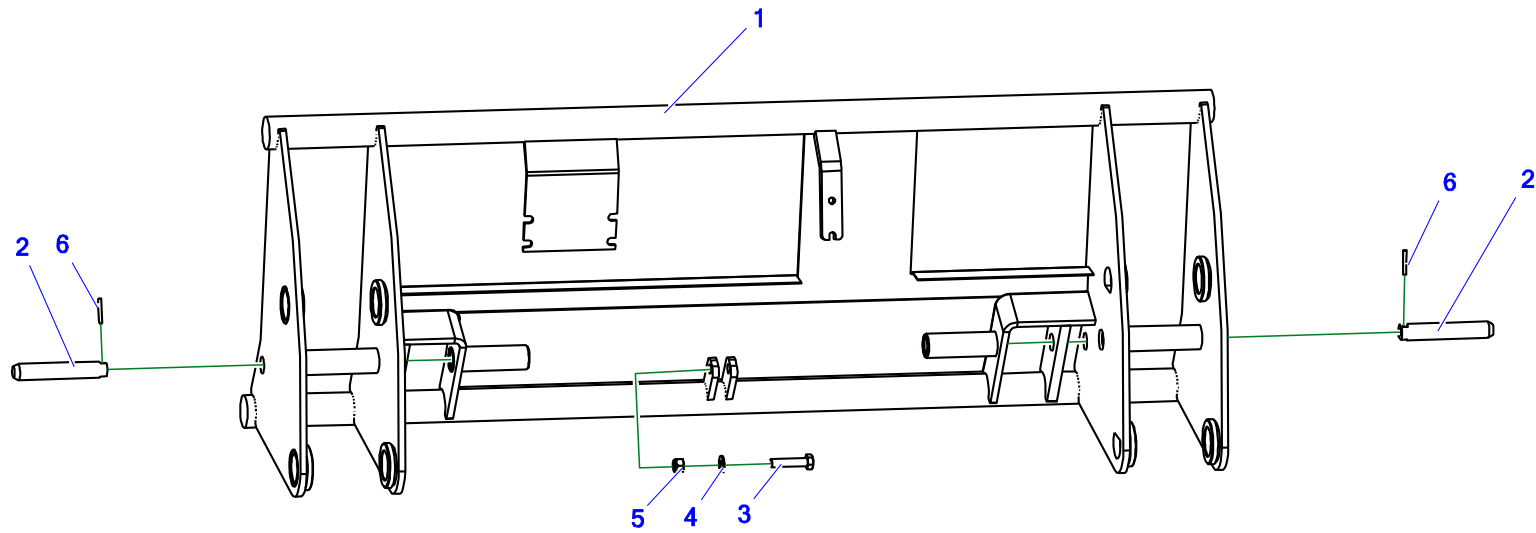


Tabela 3. Tool holder frame

No.	Type of Loader		Part or assembly name	Volume
	T248-V.01B	T248-V.D1B		
1	T248.004.001.000	T248.004.001.000	Adapter frame for coupling tools and accessories EURO	1
2	T248.004.000.002	T248.004.000.002	Protective pin	2
3	POD-ELZ-000428	POD-ELZ-000428	Bolt, M10 x 45	1
4	23P10 82005	23P10 82005	Round washer 10 galv., 82005 82005	1
5	23NS10OC	23NS10OC	Self-locking nut M10 galv., 82175 8 82175 8	1
6	23K4/30	23K4/30	Spring pin 4 x 28	2

4. HYDRAULIC SYSTEM

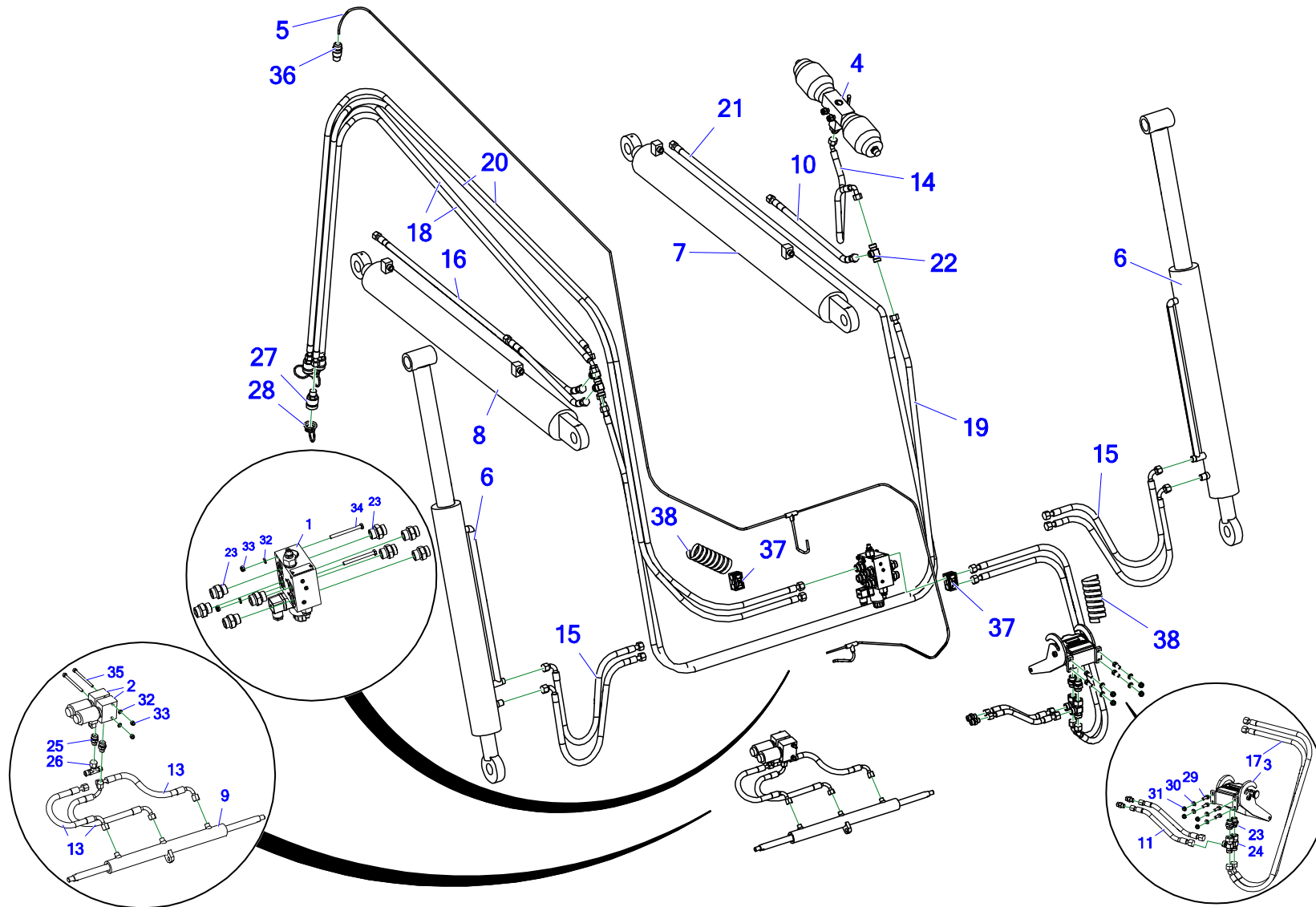


Tabela 4. Hydraulic system

No.	Type of Loader		Part or assembly name	Volume
	T248-V.01B	T248-V.D1B		
1	POD-HZW-000079	POD-HZW-000079	Electric composite divider 6UREE6-00/R1-ZK-G12Z4/160/160	1
2	POD-HZW-000085	POD-HZW-000085	Cartridge distributor 2URED-6-C5-16/2-M1-G12Z4	2
3	POD-HZW-000073	POD-HZW-000073	Quick connector 2 x 1/2" BSP 2P206 socket (2P206-2-12GFC)	1
4	24HA	24HA	Hydraulic accumulator (set)	1
5	POD-ELK-000315	POD-ELK-000385	Wiring harness for T248	1
6	POD-HSL-000132	POD-HSL-000132	Cylinder T248-80/45/450+UCJ425*L-1285	2
7	POD-HSL-000134	POD-HSL-000189	Cylinder T248-80/45/690 L -UCJ415 Cylinder SMT2MF 90/45/690 L-1245 Ral 7015	1
8	POD-HSL-000135	POD-HSL-000189	Cylinder T248-80/45/690 P -UCJ414 Cylinder SMT2MF 90/45/690 L-1245 Ral 7015	1
9	POD-HSL-000148	POD-HSL-000148	Cylinder T248-25/18/2x110 -UCJ38	1
10	AA/241/10/L-210	AA/241/10/L-450	Hydraulic hose	2
11	AA/21_/6-L300 straight M22 x 1.5	AA/21_/6-L300 straight M22 x 1.5	Hydraulic hose	2
12	A90A90/211/6-L300	A90A90/211/6-L300	Hydraulic hose	1
13	A90A/211/6-L300	A90A/211/6 L-300	Hydraulic hose	2
14	A45A90/214/10-L650	A45A90/214/10-L650	Hydraulic hose	1
15	A90A/214/10 L-720	A90A/214/10 L-720	Hydraulic hose	4
16	AA/241/10-L950	AA/241/10-L1210 (till 2022) AA/241/10-L1230 (from 2022)	Hydraulic hose	1

No.	Type of Loader		Part or assembly name	Volume
	T248-V.01B	T248-V.D1B		
17	A45A/233/13-L1200	A45A/233/13-L1200	Hydraulic hose	2
18	A45A/233/13 L-2000	A45A/233/13 L-2300	Hydraulic hose	2
19	AA/244/10-L2700	AA/244/10-L2700	Hydraulic hose	1
20	AA/233/13-L3100	AA/233/13-L3400	Hydraulic hose	2
21	AA/241/10-L-3400	AA/241/10-L-3600 (till 2022) AA/241/10-L-3680 (from 2022)	Hydraulic hose	1
22	POD-HKR-000007-1	POD-HKR-000007-1	T-connector 22 x 22 x 22 15 L	3
23	24K1/2 22	24K1/2 22	Straight connection 1/2 edx22-1.5	10
24	POD-HKR-000018	POD-HKR-000018	T-connector, asymmetrical 22 x 22 x 22-1.5 15L with nut on side	2
25	POD-HKR-000047	POD-HKR-000047	Straight connector 3/8 x 14-1.5 8LR	4
26	POD-HKR-000066	POD-HKR-000066	T-connector, symmetrical 16 x 16 x 16-1.5 8L with top nut	1
27	24ZGE13	24ZGE13	Valve-socket EURO 13, M22 x 1.5	4
28	24ZGNE13	24ZGNE13	Valve socket cap EURO13 (green, yellow, blue, red)	4
29	POD-ELZ-000351	POD-ELZ-000351	Allen bolt 8 x 25 galv., 8.8 82302	4
30	23P8OOC	23P8OOC	Round washer 8 galv., 82005 82005	4
31	23NS8OC	23NS8OC	Self-locking nut M8 galv., 82175 8 82175 8	4
32	23P6OOC	23P6OOC	Round washer 6 galv.,. 82005 82005	6
33	23NS6OC	23NS6OC	Self-locking nut M6 galv. 82175 8 82175 8	4
34	23S6/70 105	23S6/70 105	Bolt 6 x 70 galv. 8.8 82101 82101 8.8	2

No.	Type of Loader		Part or assembly name	Volume
	T248-V.01B	T248-V.D1B		
35	POD-ELZ-000728	POD-ELZ-000728	Bolt 6 x 90 galv., 8.8 82101	2
36	POD-ELK-000198	POD-ELK-000198	Plug 3 vertical 251100	1
37	POD-HPZ-000005-1	POD-HPZ-000005-1	HBK handle diam. 18 x 2 – double	2
38	POD-HPZ-000043-1	POD-HPZ-000043-1	Spiral cover HG40	2

5. HYDRAULIC ACCUMULATOR

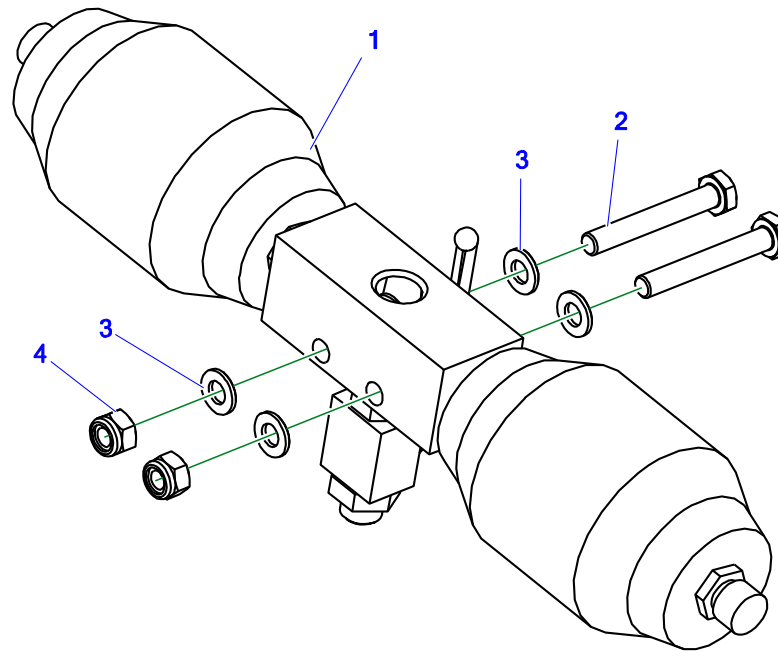


Tabela 5. Hydraulic accumulator

No.	Type of Loader		Part or assembly name	Volume
	T248-V.01B	T248-V.D1B		
1	24HA	24HA	Hydraulic damper assembly	1
2	23S10/70	23S10/70	Screw 10 x 70 galv., 8.8 82105 82105	2
3	23P10 82005	23P10 82005	Round washer 10 galv., 82005 82005	4
4	23NS10OC	23NS10OC	Self-locking nut M10 galv., 82175 8 82175 8	2

6. SUPPORT FOOT, COMPLETE

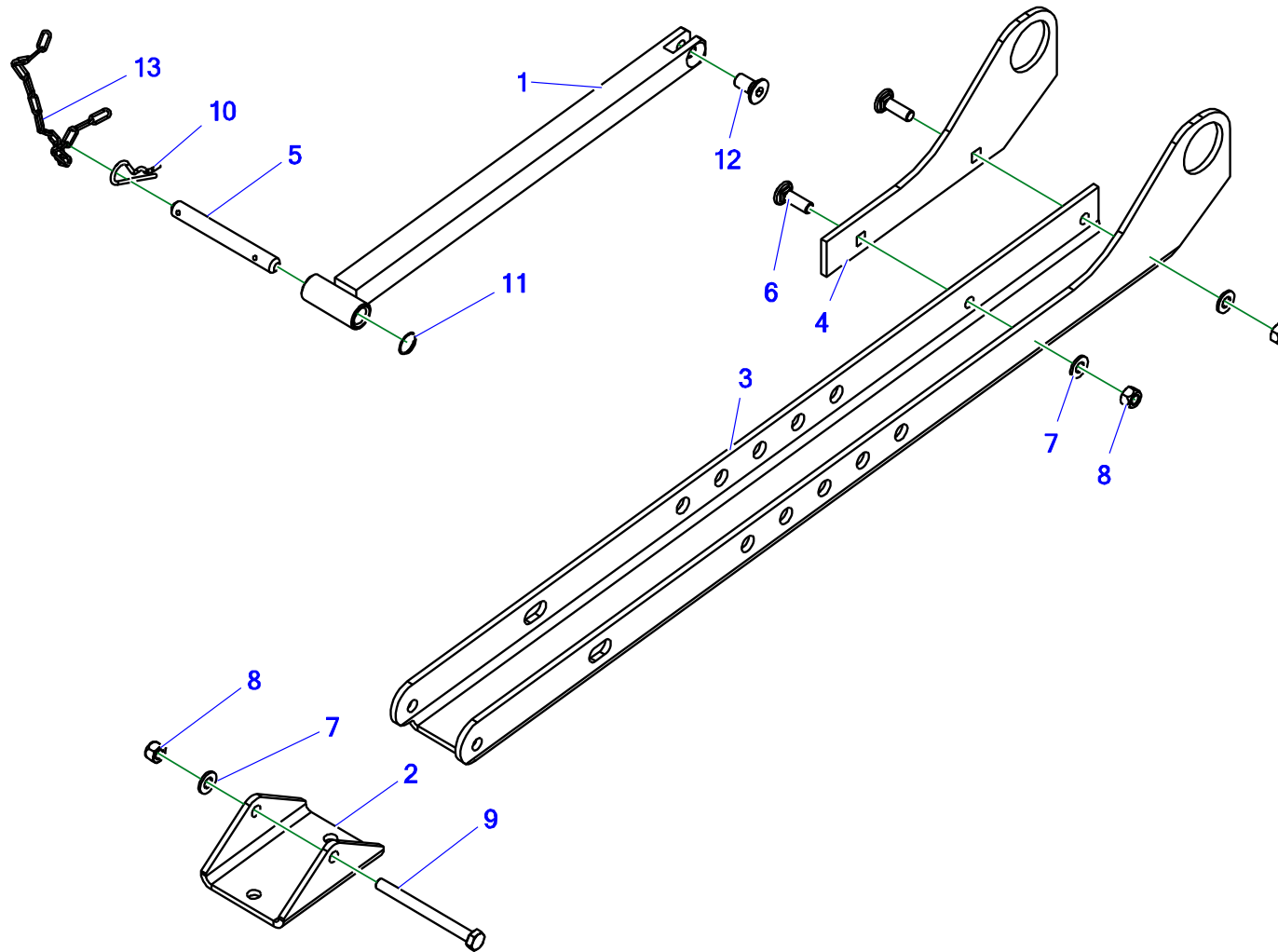


Tabela 6. Support foot, complete

No.	Type of Loader		Part or assembly name	Volume
	T248-V.01B	T248-V.D1B		
1	T248.009.001.200	T248.009.001.200	Foot support	1
2	T248.009.001.003	T248.009.001.003	Foot	1
3	T248.009.001.001 T248.009.002.001"	T248.009.001.001 T248.009.002.001"	Parking jack u-bar right Parking jack u-bar left	1
4	T248.009.001.004	T248.009.001.004	Foot side panel	1
5	T248.009.001.005	T248.009.001.005	Foot protection	1
6	23S10/30P	23S10/30P	Carriage bolt 10 x 30 galv., 8,8 82406 82406	2
7	23P10 82005	23P10 82005	Round washer 10 galv., 82005 82005	3
8	23NS10OC	23NS10OC	Self-locking nut M10 galv., 82175 8 82175 8	3
9	23S10/110OC 8.8	23S10/110OC 8.8	Screw 10 x 110 galv., 8.8 82101 82101	1
10	POD-ELZ-000422	POD-ELZ-000422	Elastic double cotter pin 3.2 mm galv., (letter R chassis)	1
11	23KK	23KK	Key ring	1
12	POD-ELZ-000518	POD-ELZ-000518	Counter sunk Allen screw 12 x 35 galv., 10.9 DIN7991	1
13	25LS	25LS	Clamping chain diam. 2 mm	1 (0.3 m)

7. LEVELLING INDICATOR, COMPLETE

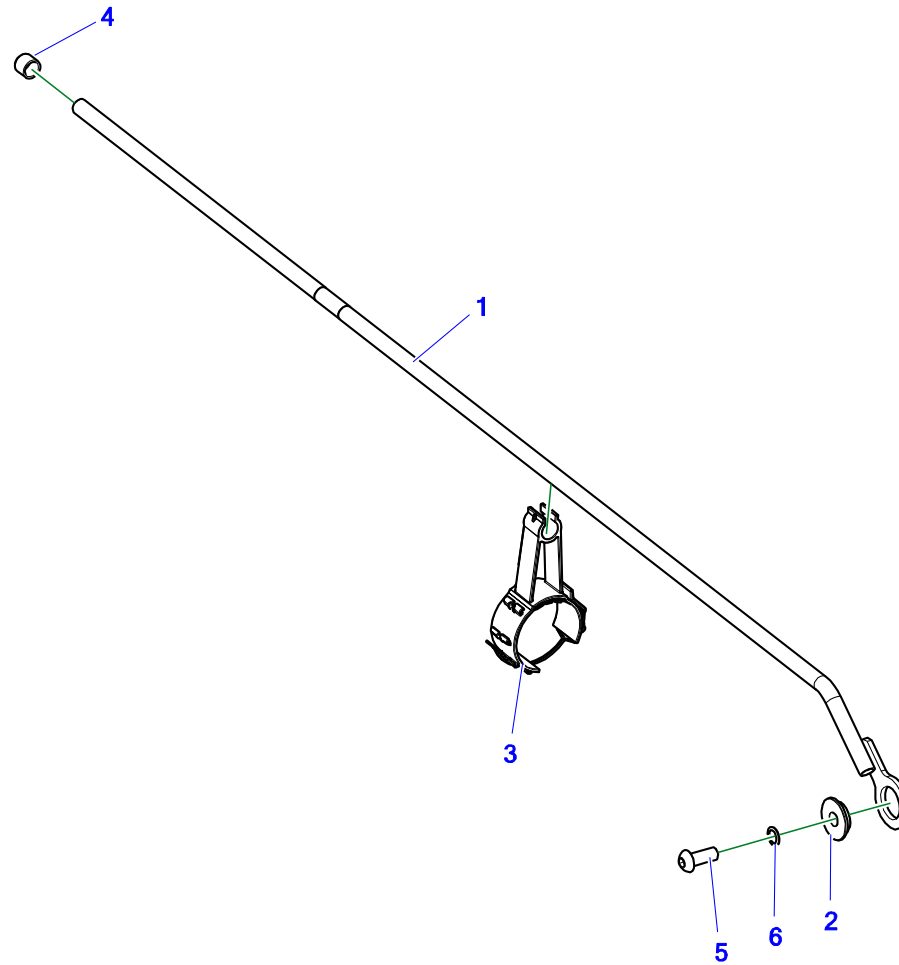


Tabela 7. Levelling indicator set

No.	Type of Loader		Part or assembly name	Volume
	T248-V.01B	T248-V.D1B		
1	T229-1 052.001.000	T229-1 052.001.000	Levelling indicator rod, complete	1
2	T248 052.000.002	T248 052.000.002	Levelling indicator spacer sleeve	1
3	POD-OGL-000932	POD-OGL-000932	levelling rod holder, complete	1
4	POD-TSZ-000226	POD-TSZ-000226	Round plug, ext. 14 mm (Es-FCWA-0143-013)	1
5	POD-ELZ-000634	POD-ELZ-000634	Mushroom head bolt Allen bolt 12 x 30 ISO 7380 galv. 10.9	1
6	POD-ELZ-000906	POD-ELZ-000906	Washer SCHNORR M12 type S	1

NOTES

A series of 20 horizontal dotted lines for taking notes.



Metal-Fach Sp. z o.o. is constantly improving its products and adjusting its package to the needs of its customers, so it reserves the right to make changes to its product range without notice. Therefore, before making your purchase decision, please contact an authorised dealer or sales representative of Metal-Fach Sp. z o.o.

Metal-Fach Sp. z o.o. will not accept any complaints regarding the data and pictures contained in the catalogue, as the presented range of products does not constitute an offer within the meaning of the provisions of the Civil Code. The pictures do not necessarily show standard accessories.

Original spare parts are available from authorised dealers, both in Poland and abroad, and also at the Metal-Fach retail outlet.

TECHNICAL SERVICE

16-100 Sokółka, ul. Kresowa 62

Telephone: +48 85 711 07 80; Fax: +48 85 711 07 93

serwis@metalfach.com.pl

SALES

16-100 Sokółka, ul. Kresowa 62

Telephone: +48 85 711 07 78; Fax: +48 85 711 07 89

handel@metalfach.com.pl

CURRENT INFORMATION ABOUT OUR PRODUCTS CAN BE FOUND AT WWW.METALFACH.COM.PL

SPARE PARTS WHOLESALE STORE

16-100 Sokółka, ul. Kresowa 62

Wholesale:

Telephone: +48 85 711 07 80; Fax: +48 85 711 07 93

serwis@metalfach.com.pl

Retail:

Telephone: +48 85 711 07 80; Fax: +48 85 711 07 93

serwis@metalfach.com.pl

