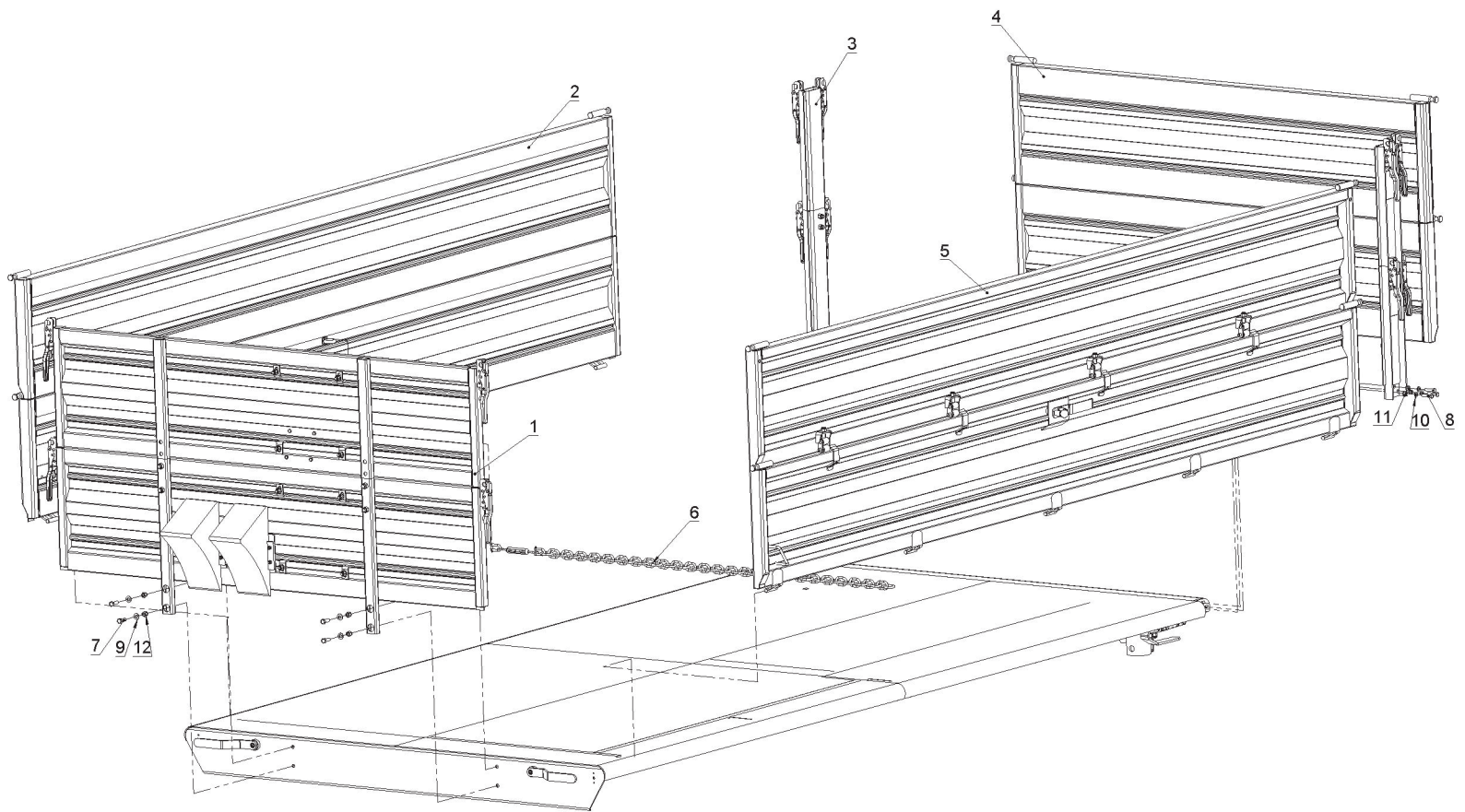
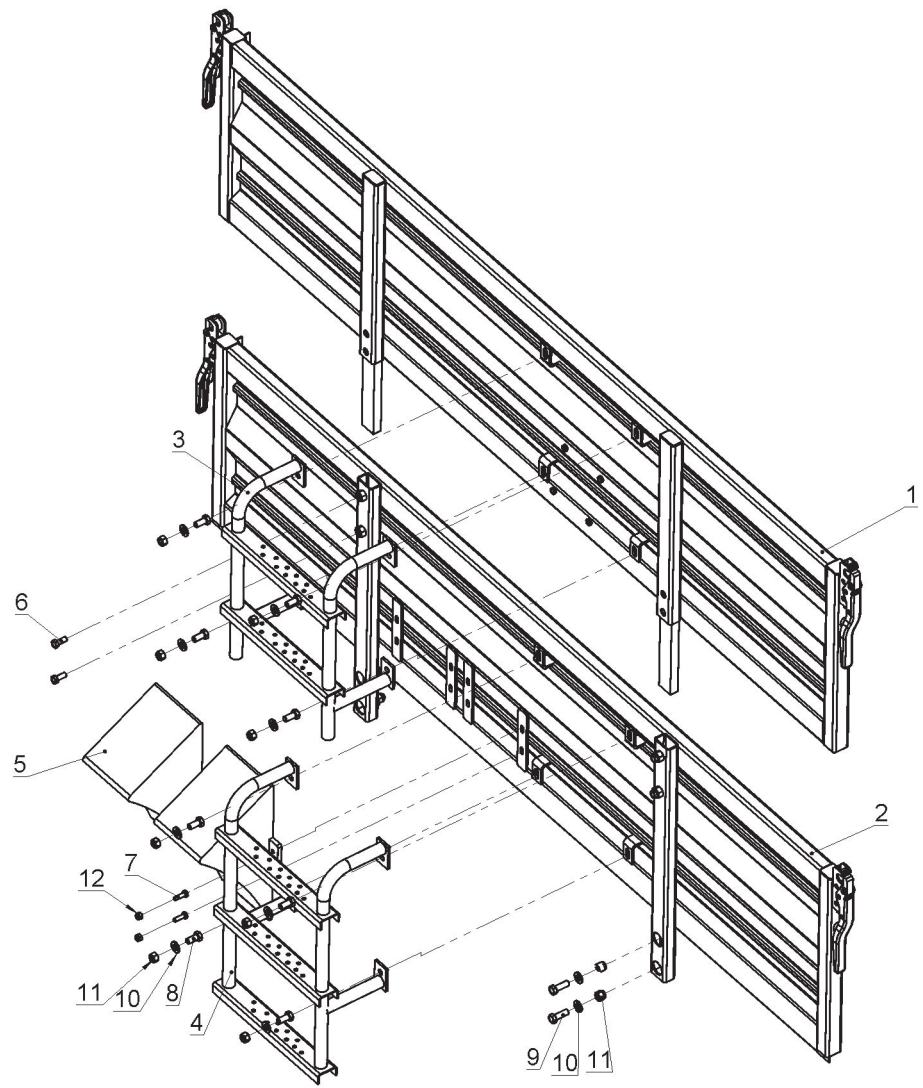


TOP FRAME			
No. in dwg	Name of assembly or part	Drawing No. or standard	Quantity
1	Front wall	T710-1 03.02.00	1
2	Right wall	T710-1 03.03.00	1
3	Right hand rear post	T710-1 03.04.00	1
4	Rear wall	T710-1 03.06.00	1
5	Left wall	T710-1 03.03.00	1
6	Coupling chain, complete		1
7	Bolt, M12x35 8-8-B	PN/M-82105	4
8	Bolt, M10x45 8-8-B	PN/M-82105	6
9	Plain washer, 12	PN/M-82005	4
10	Plain washer, 10	PN/M-82005	6
11	Nut, M10	PN/M-82175	6
12	Nut, M12	PN/M-82175	4



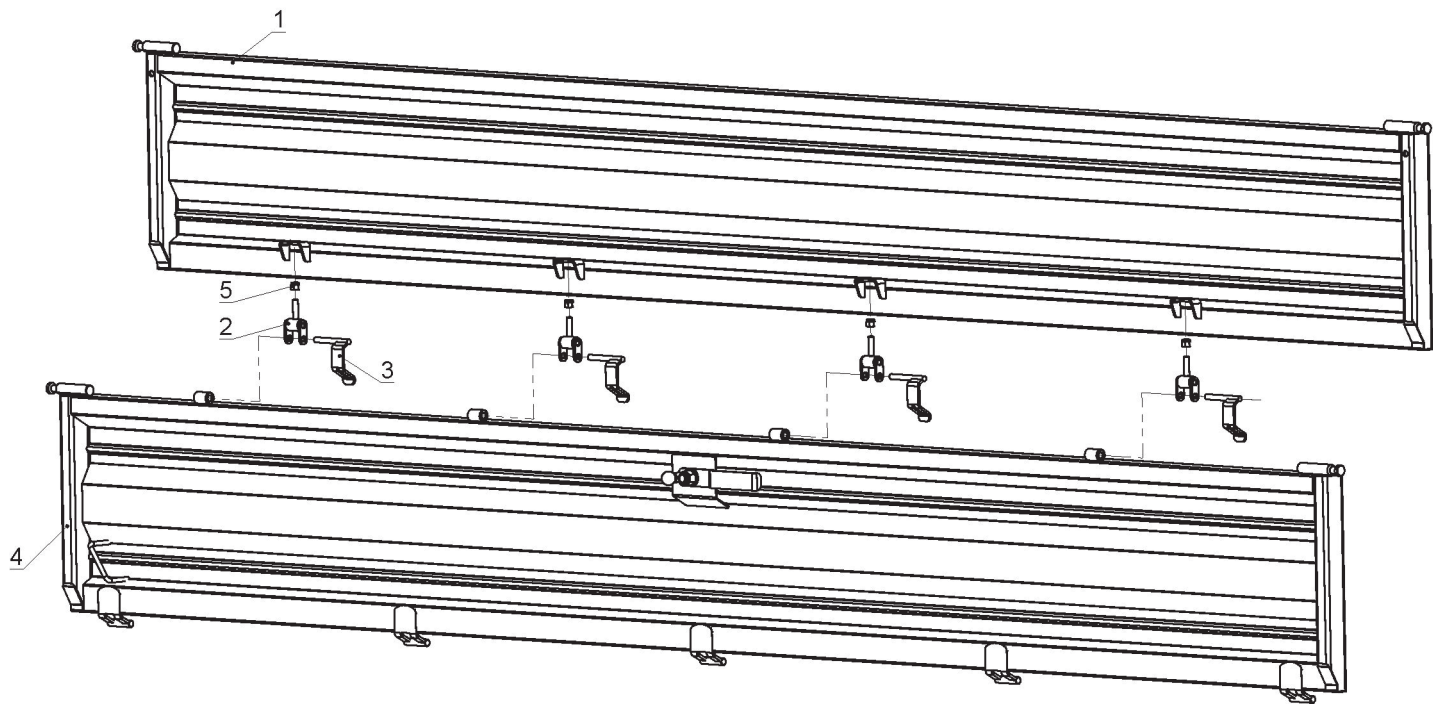
FRONT WALL			
No. in dwg	Name of assembly or part	Drawing No. or standard	Quantity
1	Front top section	T710-1 03.08.00 (T710-2 03.08.00)*	1
2	Front wall	T710-1 03.02.00	1
3	Upper ladder, complete	T710-1 06.00.00	1
4	Lower ladder, complete	T710-1 03.06.00	1
5	Wheel chock	ALKO UK 46 ST DIN 76051	2
6	Bolt, M10x25 8-8-B	PN/M-82105	4
7	Bolt, M8x25 8-8-B	PN/M-82105	8
8	Bolt, M12x25 8-8-B	PN/M-82105	8
9	Bolt, M12x35 8-8-B	PN/M-82105	4
10	Plain washer, 12	PN/M-82005	12
11	Nut, M12	PN/M-82175	12
12	Nut, M8	PN/M-82175	8

\* – present in the T710-2 version (the 8 ton trailer)



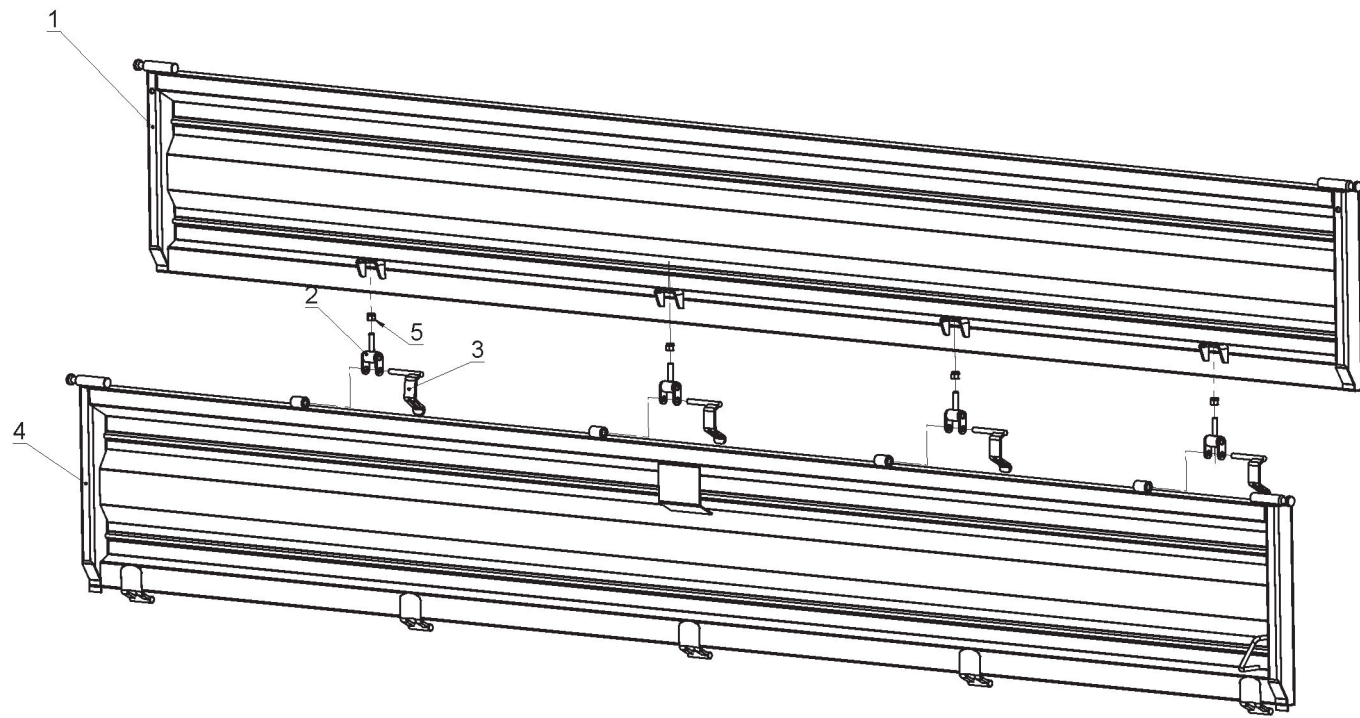
LEFT WALL			
No. in dwg	Name of assembly or part	Drawing No. or standard	Quantity
1	Left top section	T710-1 03.10.00 (T710-2 03.10.00)*	1
2	Top section hinge	T710-1 03.14.00	4
3	Lock, set	T710-1 03.16.00	4
4	Left wall	T710-1 03.03.00	1
5	Nut, M12	PN/M-82175	4

\* – present in the T710-2 version (the 8 ton trailer)



RIGHT WALL			
No. in dwg	Name of assembly or part	Drawing No. or standard	Quantity
1	Right top section	T710-1 03.11.00 (T710-2 03.11.00)*	1
2	Top section hinge	T710-1 03.14.00	4
3	Lock, set	T710-1 03.16.00	4
4	Left wall	T710-1 03.07.00	1
5	Nut, M12	PN/M-82175	4

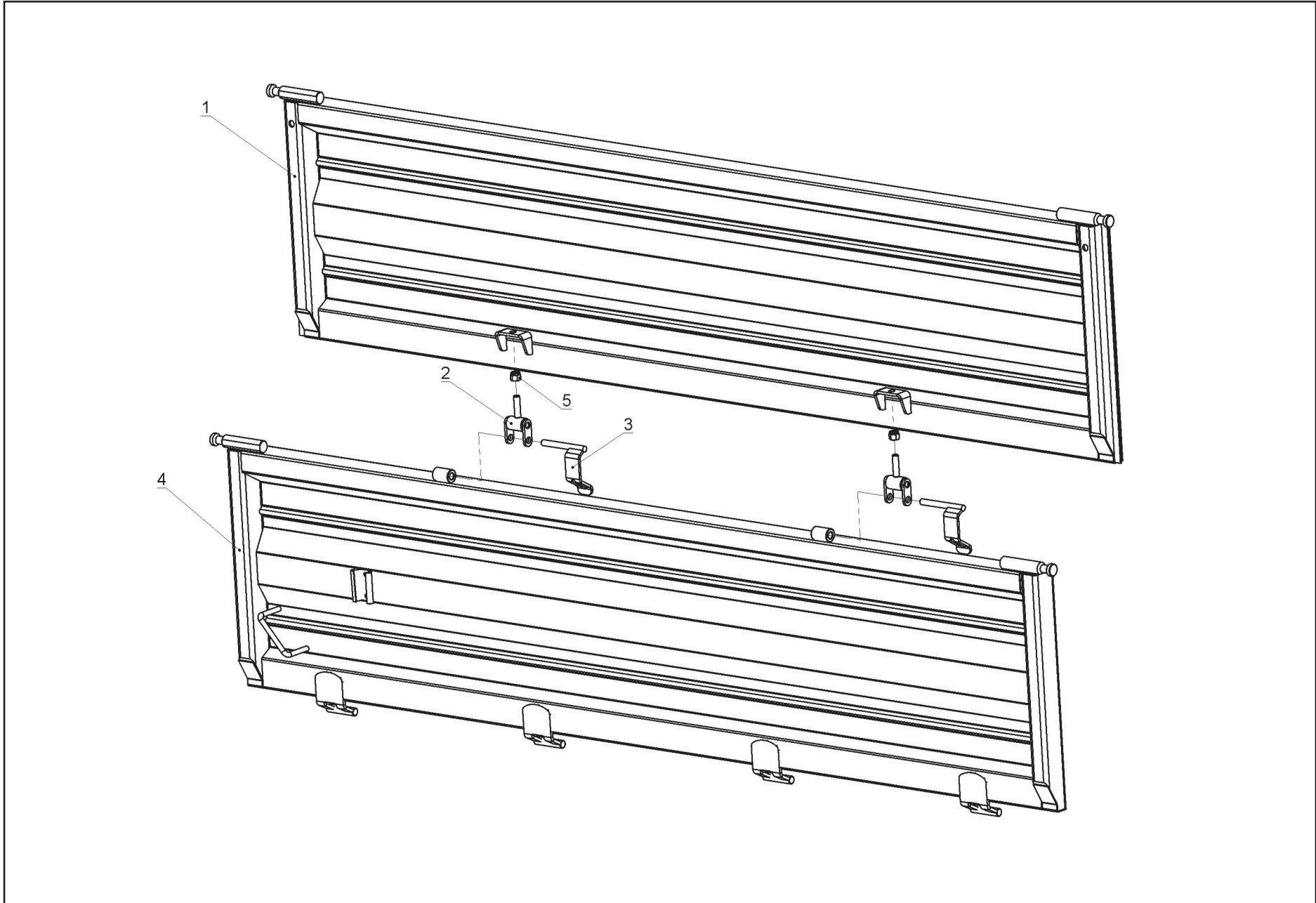
\* – present in the T710-2 version (the 8 ton trailer)





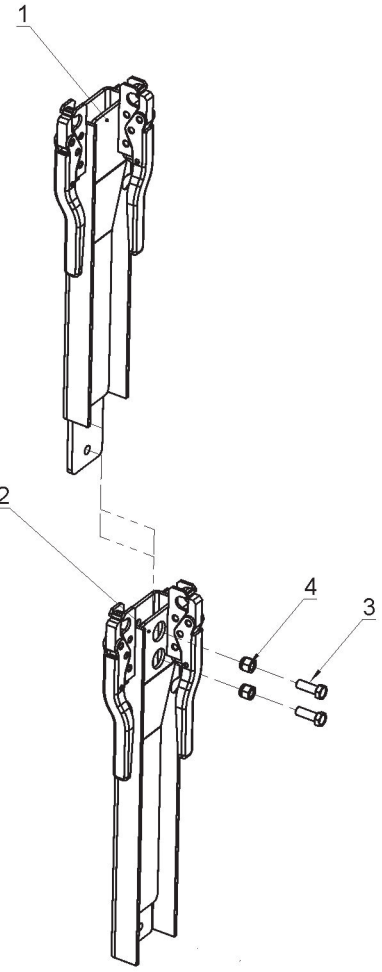
REAR WALL			
No. in dwg	Name of assembly or part	Drawing No. or standard	Quantity
1	Rear top section	T710-1 03.09.00 (T710-2 03.09.00)*	1
2	Top section hinge	T710-1 03.14.00	2
3	Lock, set	T710-1 03.16.00	2
4	Rear wall	T710-1 03.06.00	1
5	Nut, M12	PN/M-82175	2

\* – present in the T710-2 version (the 8 ton trailer)



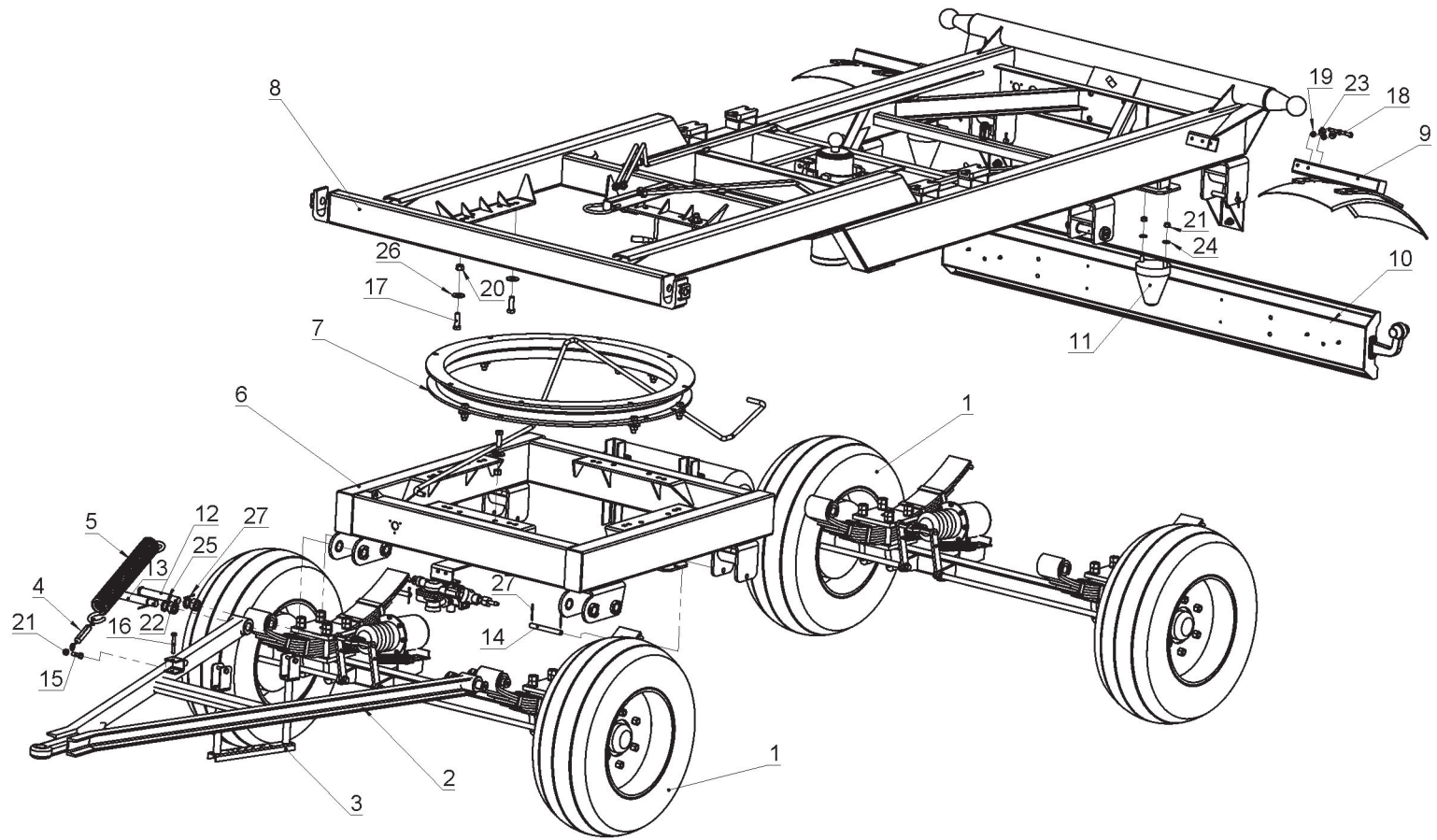
RIGHT AND LEFT HAND REAR POST			
No. in dwg	Name of assembly or part	Drawing No. or standard	Quantity
1	Left hand top section post	T710-1 03.12.00 (T710-2 03.12.00)*	1
2	Left hand post	T710-1 03.04.00	1
3	Bolt, M12x35 8-8-B	PN/M-82105	2
4	Nut, M12	PN/M-82175	2

\* – present in the T710-2 version (the 8 ton trailer)



LOWER FRAME			
No. in dwg	Name of assembly or part	Drawing No. or standard	Quantity
1	Brake equipped axle		2
2	Tow bar, complete		1
3	Ladder, complete	T710-1 07.00.00	1
4	Bottle screw, M12		1
5	Tow bar spring		1
6	Truck, complete	T710-1 01.00.00	1
7	Turntable		1
8	Top frame	T710-1 02.00.00	1
9	Mudguard suspension	T710-1 05.00.00	2
10	Lamp bracket beam	T710-1 09.00.00	1
11	Rubber fender		4
12	Suspension spring pin I	T710-1 00.00.03	4
13	Hitch pin	T710-1 00.00.05	2
14	Suspension spring locking pin	T710-1 00.00.01	4
15	Bolt, M12x35 8-8-B	PN/M-82105	1
16	Bolt, M10x70 8-8-B	PN/M-82105	3
17	Bolt, M16x1.5x45 10-9-B	PN/M-82105	16
18	Bolt, M8x75 8-8-B	PN/M-82105	4
19	Nut, M8	PN/M-82175	4
20	Nut, M16	PN/M-82175	16
21	Nut, M12	PN/M-82175	8
22	Crown nut, M24x1.5	PN/M-82167	6
23	Washer, M10	PN/M-82005	4
24	Washer, M12	PN/M-82005	8
25	Spring washer, M24	PN/M-82008	6

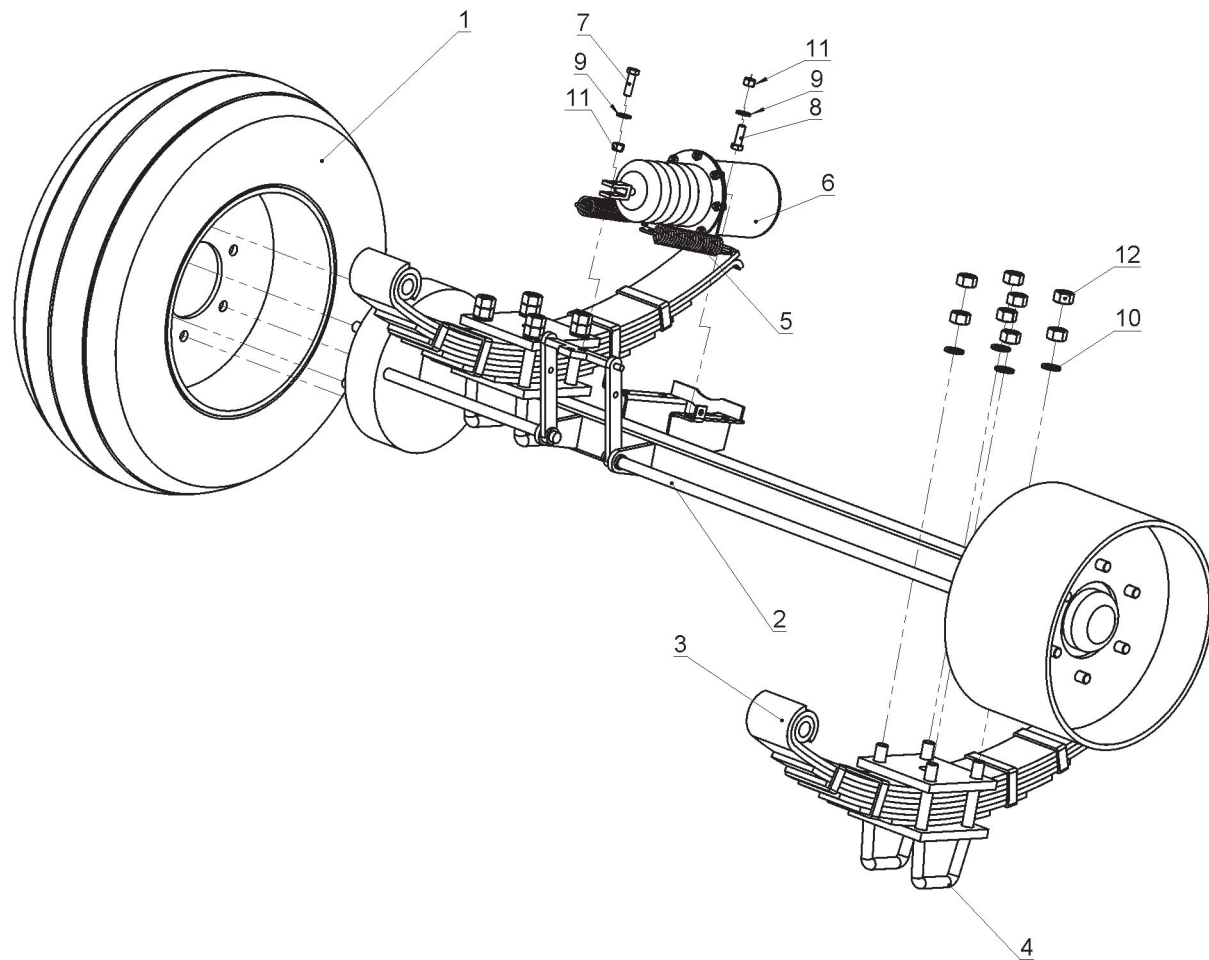
LOWER FRAME			
No. in dwg	Name of assembly or part	Drawing No. or standard	Quantity
26	Washer, M16	PN/M-82005	16
27	Cotter pin, 4x50		20



BRAKE EQUIPPED AXLE			
No. in dwg	Name of assembly or part	Drawing No. or standard	Quantity
1	Wheel with rim	10.0/75-15.3 18PR (11.5 /80-15.3 16PR)*	2
2	Brake equipped axle		1
3	Leaf spring	WJ7	2
4	Bail bolt	T710-1 00.00.03	4
5	Brake spring	MAZ/1771/B-1	2
6	Pneumatic actuator	53.32.00	2
7	Bolt, M12x40 8-8-B	PN/M-82105	1
8	Bolt, M12x35 8-8-B	PN/M-82105	2
9	Plain washer, 12	PN/M-82005	3
10	Spring washer, 20	PN/M-82008	6
11	Nut, M12	PN/M-82175	6
12	Nut, M20	PN/M-82155	4

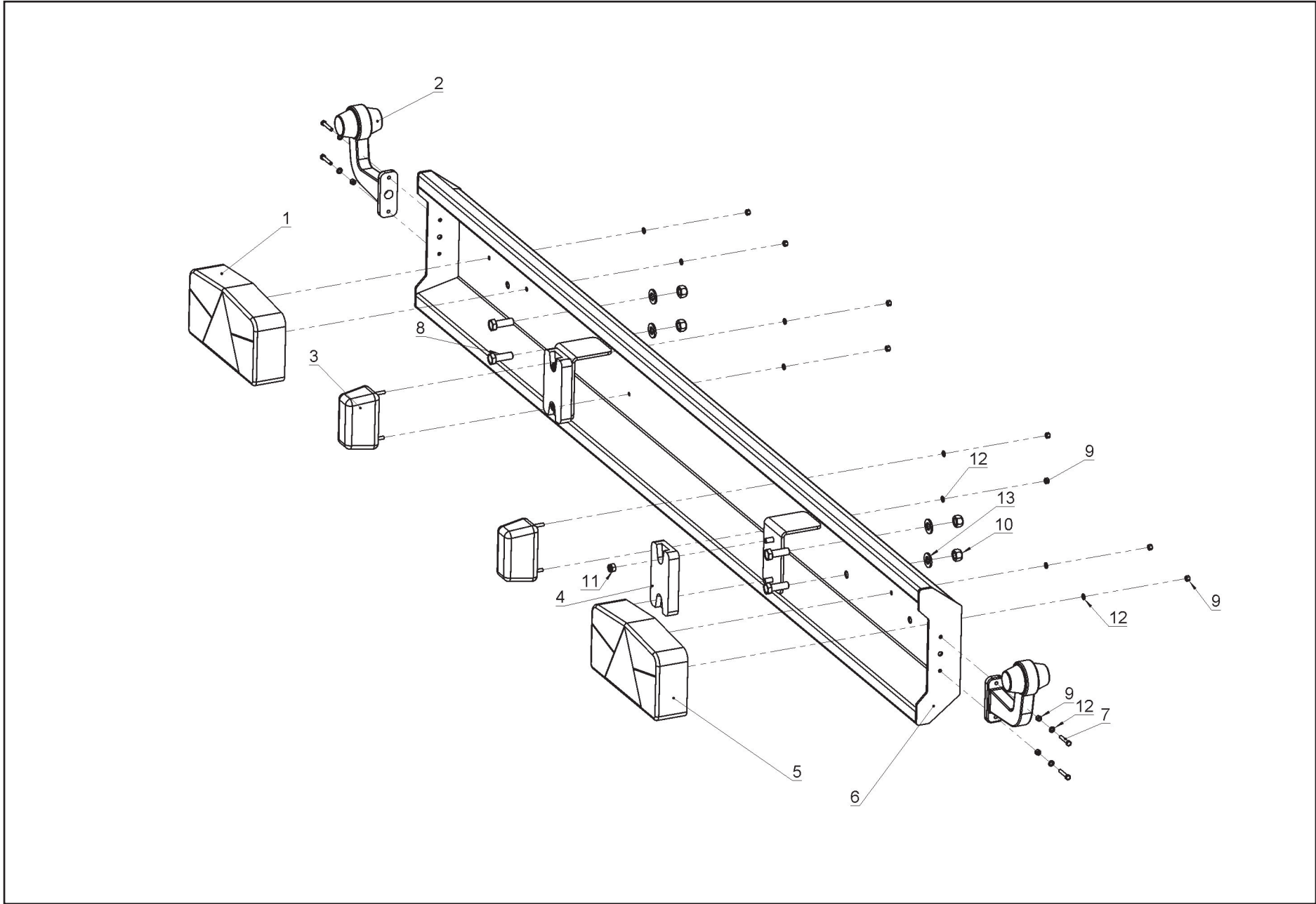
\* – present in the T710-2 trailer (8T)



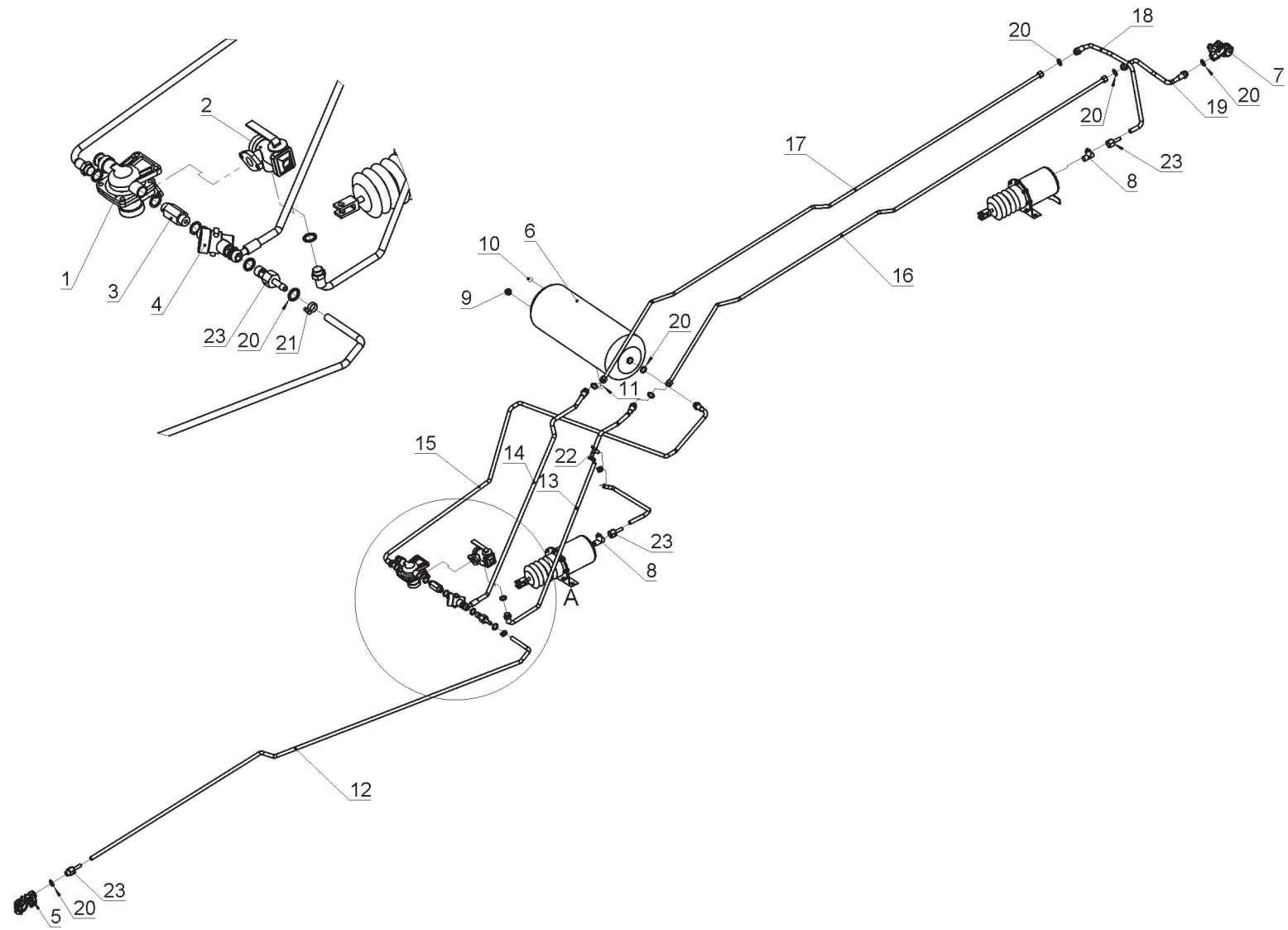


TAIL BEAM			
No. in dwg	Name of assembly or part	Drawing No. or standard	Quantity
1	Cluster lamp, LZT 206	HORPOL LZT 206	1
2	Outrigged clearance lamp	HORPOL LO 355	2
3	License plate lamp	HORPOL LT105	2
4	Rectangular rubber fender		2
5	Cluster lamp, LZT 204	HORPOL LZT 204	1
6	Tail lamp bracket beam	T710-1 09.00.00	1
7	Bolt, M5x50 8-8-B	PN/M-82105	4
8	Bolt, M12x35 8-8-B	PN/M-82105	4
9	Nut, M5	PN/M-82175	12
10	Nut, M12	PN/M-82175	4
11	Nut, M8	PN/M-82175	4
12	Plain washer, 5	PN/M-82005	12
13	Plain washer, 12	PN/M-82005	4

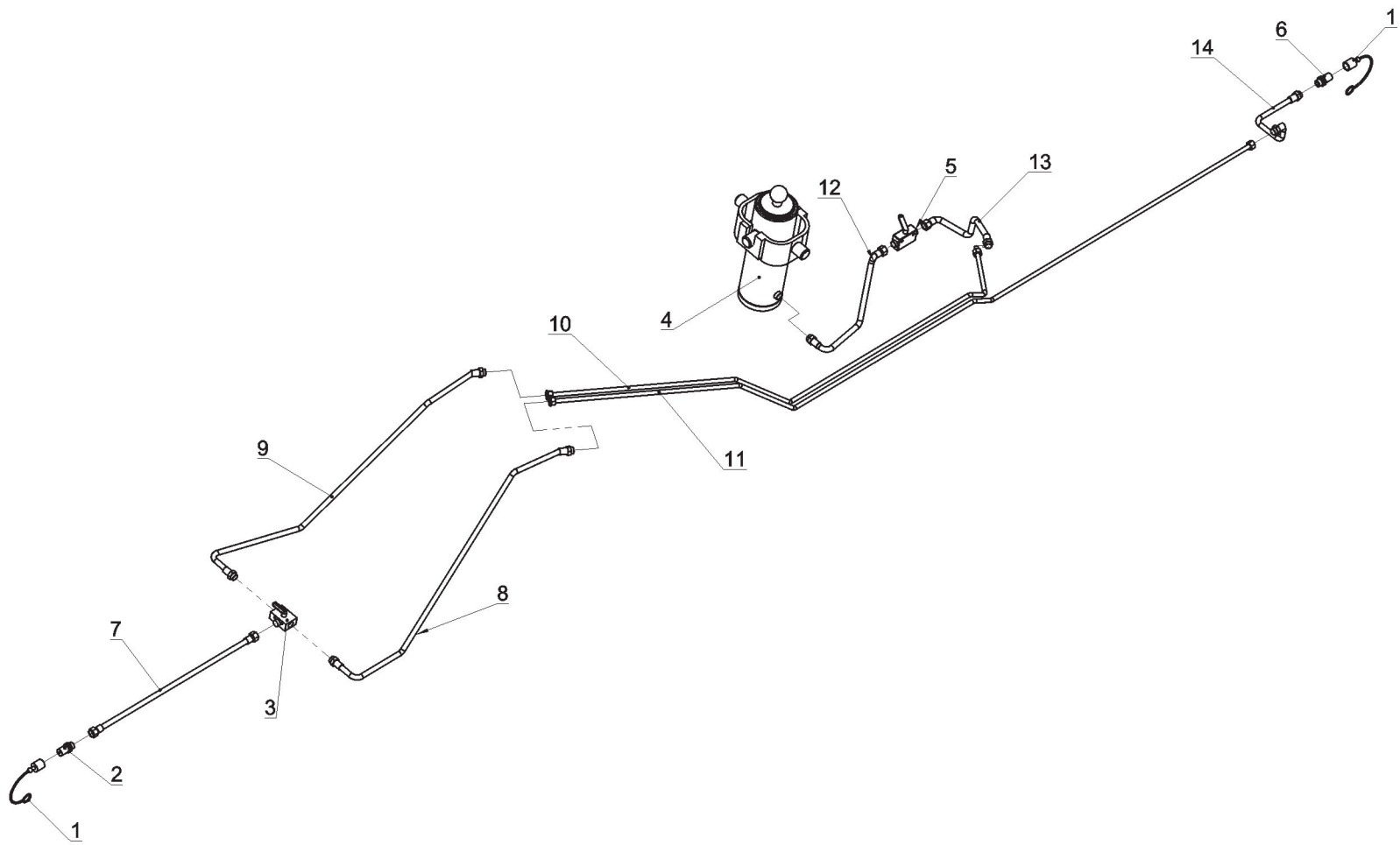
\* – present in the T710-2 trailer (8T)



PNEUMATIC SYSTEM			
No. in dwg	Name of assembly or part	Drawing No. or standard	Quantity
1	Pneumatic directional control valve	HZS2 41 11 011 0	1
2	Braking force controller	61 11 012 0	1
3	Union, M22x1.5		1
4	Pneumatic system filter		1
5	Line connector, black, soft	87400110	1
6	Air tank, 20 L		1
7	Line connector, black, hard	8730010	1
8	Check connector, tee	88150130	2
9	Check connector, plug		1
10	Plug, M22x1.5		1
11	Drain valve, M22x1.5	83100110	1
12	Pneumatic line I		1
13	Pneumatic line II		1
14	Pneumatic line III		1
15	Pneumatic line IV		1
16	Pneumatic pipe I		1
17	Pneumatic pipe II		1
18	Pneumatic line V		1
19	Pneumatic line VI		1
20	Metal and rubber washer, M22		15
21	Band clip		8
22	Pneumatic tee	N267 02.07.00	1
23	Tip, WNP 13 M22x1.5		2



HYDRAULIC SYSTEM			
No. in dwg	Name of assembly or part	Drawing No. or standard	Quantity
1	Valve cap (plug)		2
2	EURO 13 valve-plug, M22x1.5		1
3	Three-way ball valve	RS3L15L M22x1.5	1
4	Cylinder actuator	CT-S224-60/4/1300	1
5	Stop check valve	C00-HBKH-15L	1
6	EURO 13 valve-socket, M22x1.5		1
7	Hydraulic line I		1
8	Hydraulic line II		1
9	Hydraulic line III		1
10	Hydraulic line IV		1
11	Hydraulic line V		1
12	Hydraulic line VI		1
13	Hydraulic line VII		1
14	Hydraulic line VIII		1



SET OF LIGHT BULBS			
No. in dwg	Name of assembly or part	Drawing No. or standard	Quantity
1	FRONT PARKING LAMP	W5W	2
2	LICENSE PLATE LAMP	C5W 37mm	2
3	TAIL CLUSTER LAMP, 204/206	P21W	2
4	TAIL CLUSTER LAMP, 204/206	C5W 37mm	2
5	TAIL CLUSTER LAMP, 204/206	R10W	2
5	CLEARANCE LAMP	R5W	2