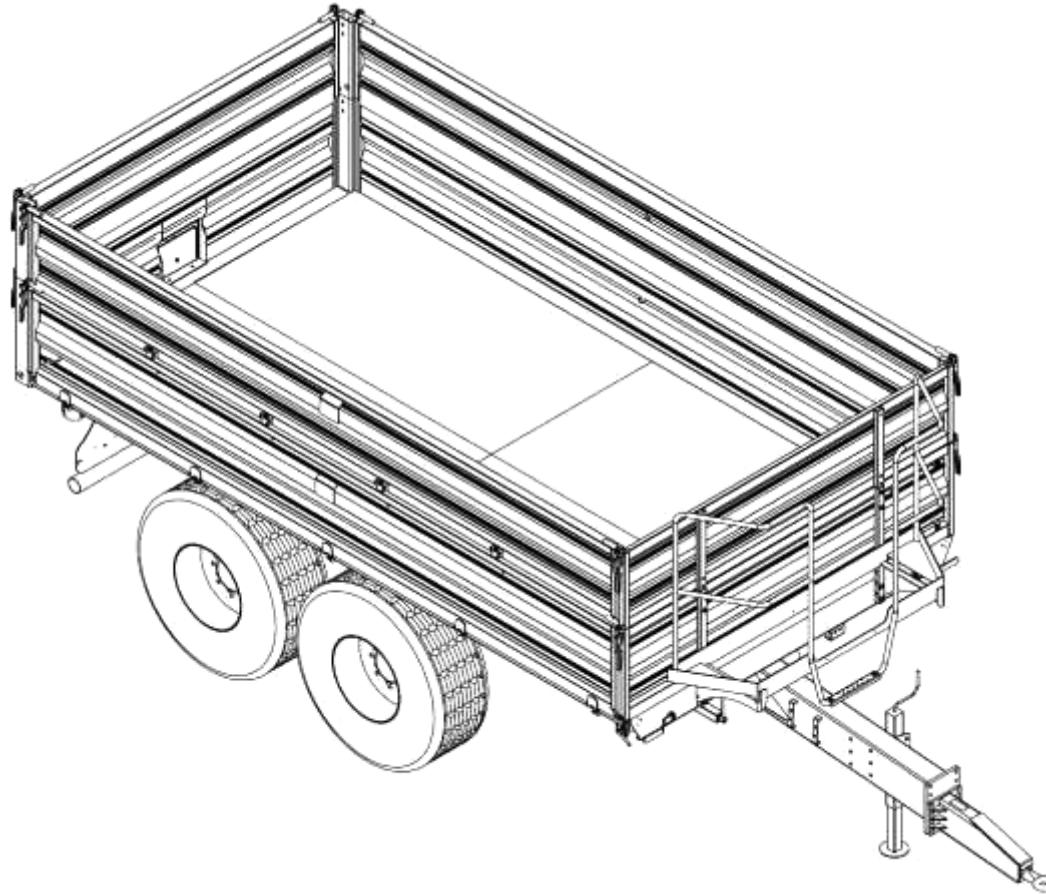


SPARE PARTS CATALOGUE

T730 FARMING TRUCK TRAILER



Edition 01/2014

LIST OF CATALOGUE ITEMS

Item	Table title	Page no.
1	General view	3
2	Side panels	5
3	Side wall top sections	7
4	Side panel support	9
5	Left wall	11
6	Right wall	13
7	Posts	15
8	Rigid platform, complete	17
9	Electrical system	19
10	Trailer hydraulic system	21
11	Braking system	23

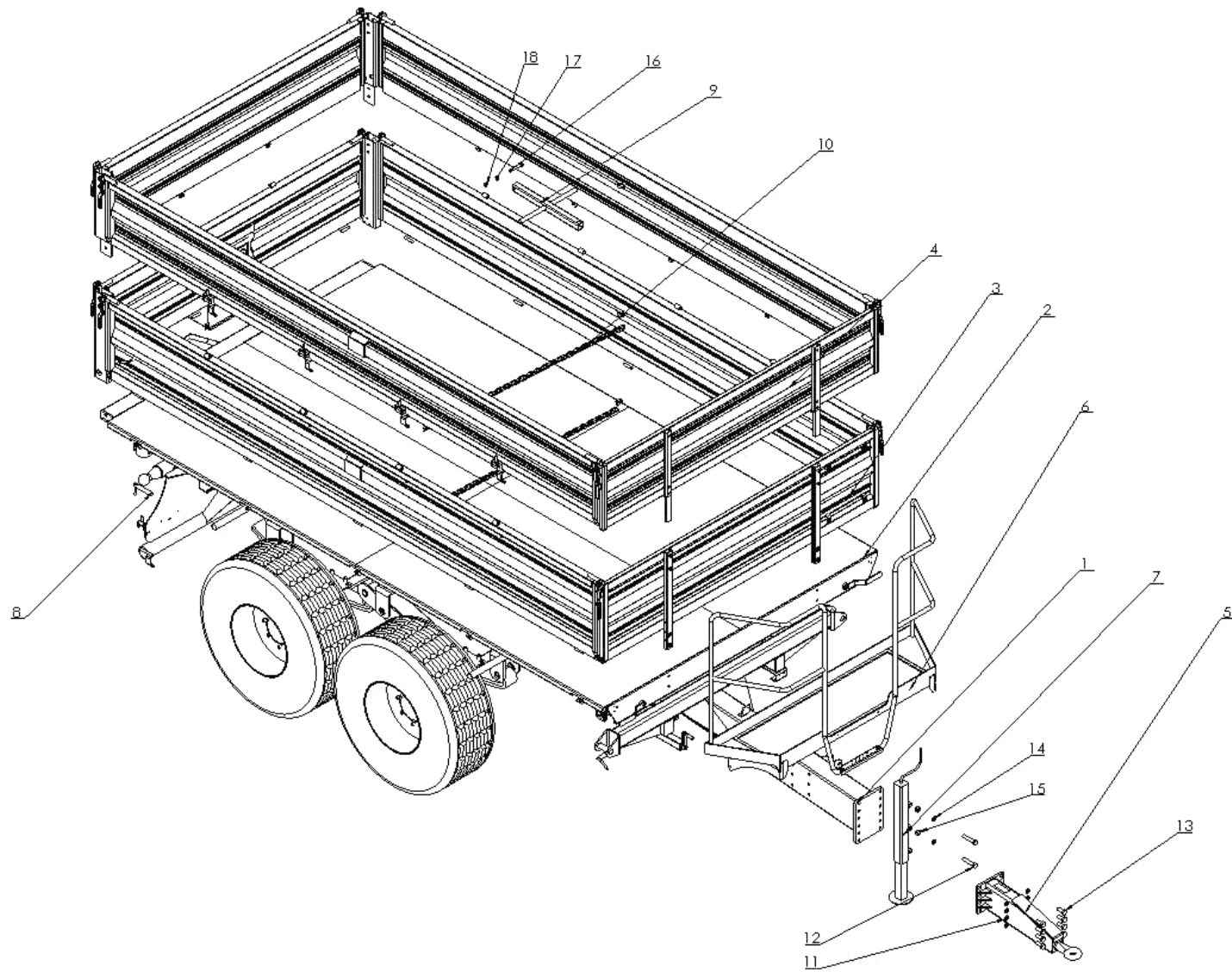


Table 1

<h1>General view</h1>			
No. in dwg	Name of assembly or part	Drawing number or index	Quantity (pcs.)
1	Chassis frame	T730 02.00.00	1
2	Top frame	T730 03.00.00	1
3	Side panels set T711-1 or T711-2, T711-3	T711-S1 or T711-S2	1
4	Side wall top section, set T711-1, T711-2 or T711-3	T711-2 NAD or T711-3 NAD	1
5	Hook	T730 01.01.00	1
6	Rigid platform, complete	T739 07.00.00	1
7	Support foot Z562	25SPZ562	1
8	Tipping lock	T710-1 08.00.00.1	2
9	Load-carrying body support	T730 15.00.000	1
10	Side panel tension member		2
11	Spring washer, $\varnothing 20$	23P20SP	8
12	Bolt, 20x120 galv. 82101	23S20/120	2
13	Bolt, 20x50 galv. 10.9 82105	POD-ELZ-000583	8
14	Round washer, 20 galv. 82005	23P20	2
15	Nut, M20	23N20OC	2
16	Bolt, 16x100 galv. 82105	23S16/100OC 8.8	1
17	Round washer, 16 galv. 82005	23P16OOC	1
18	Self-retaining nut, M16 galv. 82175 8	23NS16OC	1

Side panels

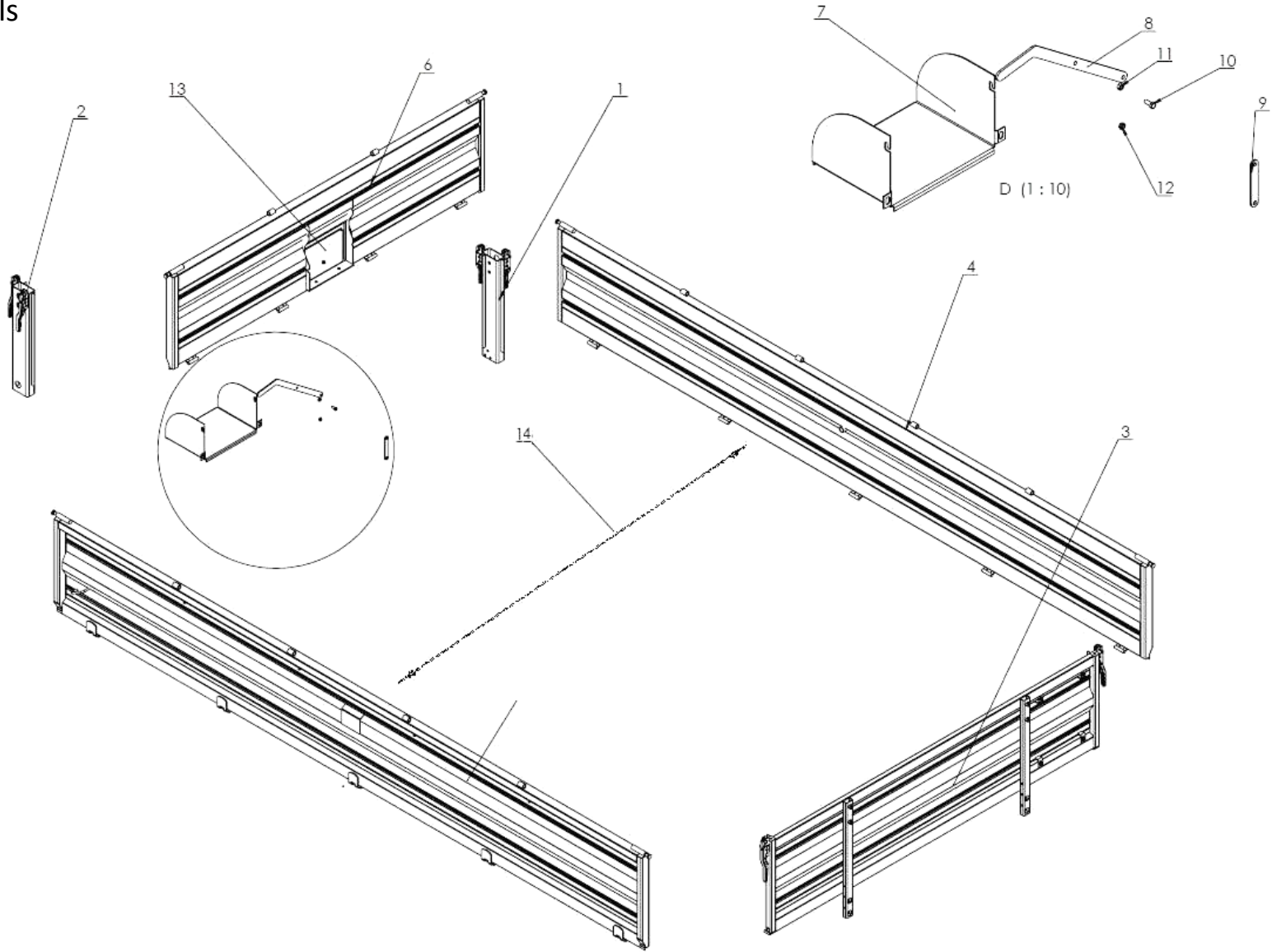
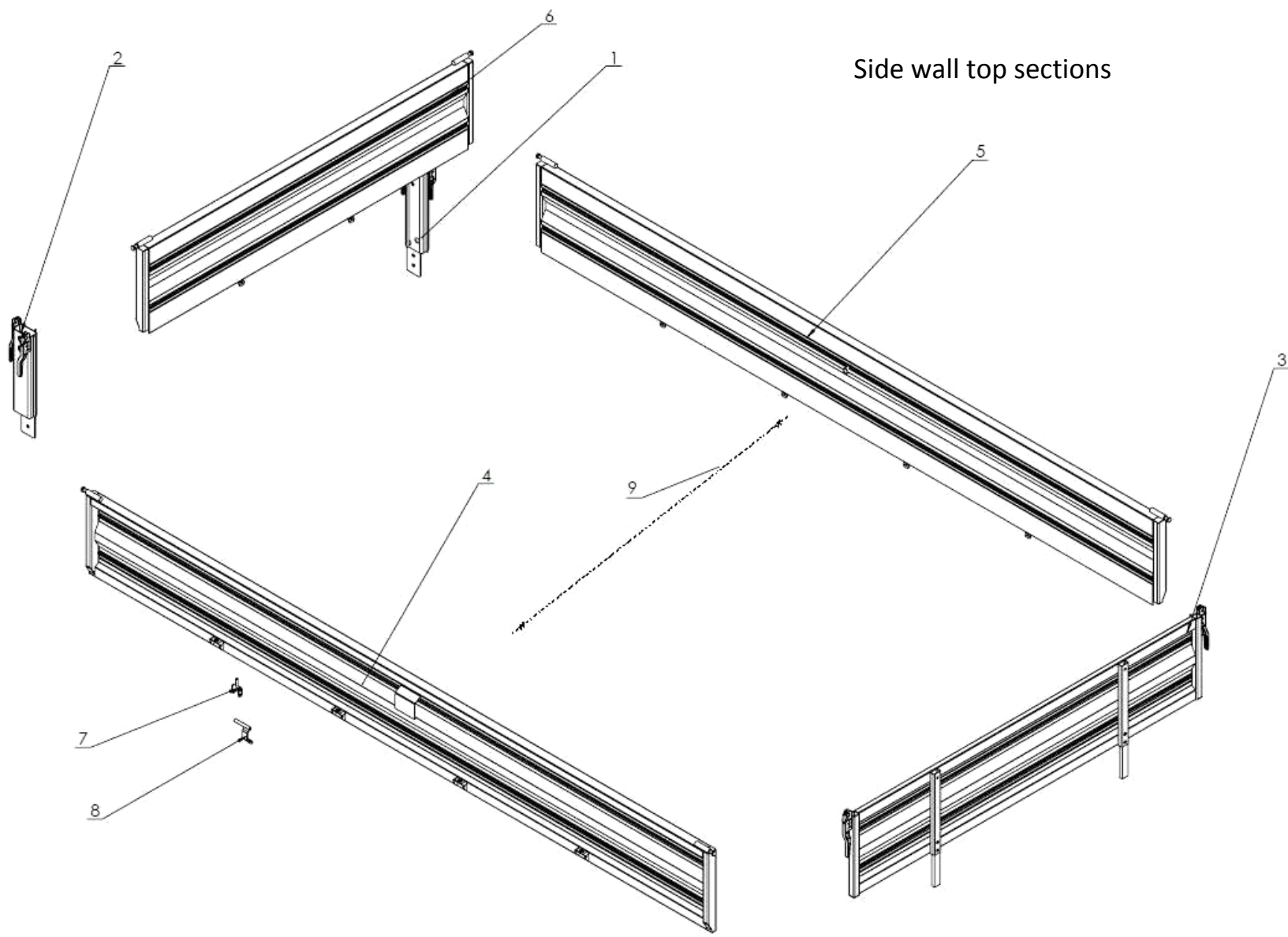


Table 2

Side panels set T711-S1 or T711-S2			
No. in dwg	Name of assembly or part	Drawing number or index	Quantity (pcs.)
1	Rear left post, set	T711-1 03.05.00	1
2	Rear right post, set	T711-1 03.04.00	1
3	Front wall, set	T711-1 03.02.00.1	1
4	Left side wall, set	T711-1 03.07.00	1
5	Right side wall, set	T711-1 03.03.00	1
6	Rear wall, set	T711-1 03.06.00	1
7	Rear channel	T710-1 03.06.13	1
8	Lever II	T710-1 03.06.09	1
9	Lever I	T710-1 03.06.08	1
10	Bolt, 10x25 galv. 82105 82105	23S10/25OC	1
11	Self-retaining nut, M10 galv. 82175 8	23NS10OC	1
12	Nut, M10 galv. 82144 5	23N10OC	1
13	Rear channel	T710-1 03.06.20	1
14	Side panel tension member		1



Side wall top sections

Table 3

Side wall top section, set T711-2 NAD or T711-3 NAD			
No. in dwg	Name of assembly or part	Drawing number or index	Quantity (pcs.)
1	Left top section post, set	T711-2 03.13.00	1
2	Right top section post, set	T711-2 03.12.00	1
3	Front top section, set	T711-2 03.08.00	1
4	Right top section, set	T711-2 03.11.00	1
5	Left top section, set	T711-2 03.10.00	1
6	Rear top section, set	T711-2 03.09.00	1
7	Top section hinge	T710-1 03.14.00	10
8	Lock, set	T710-1 03.16.00	10
9	Side panel tension member		1

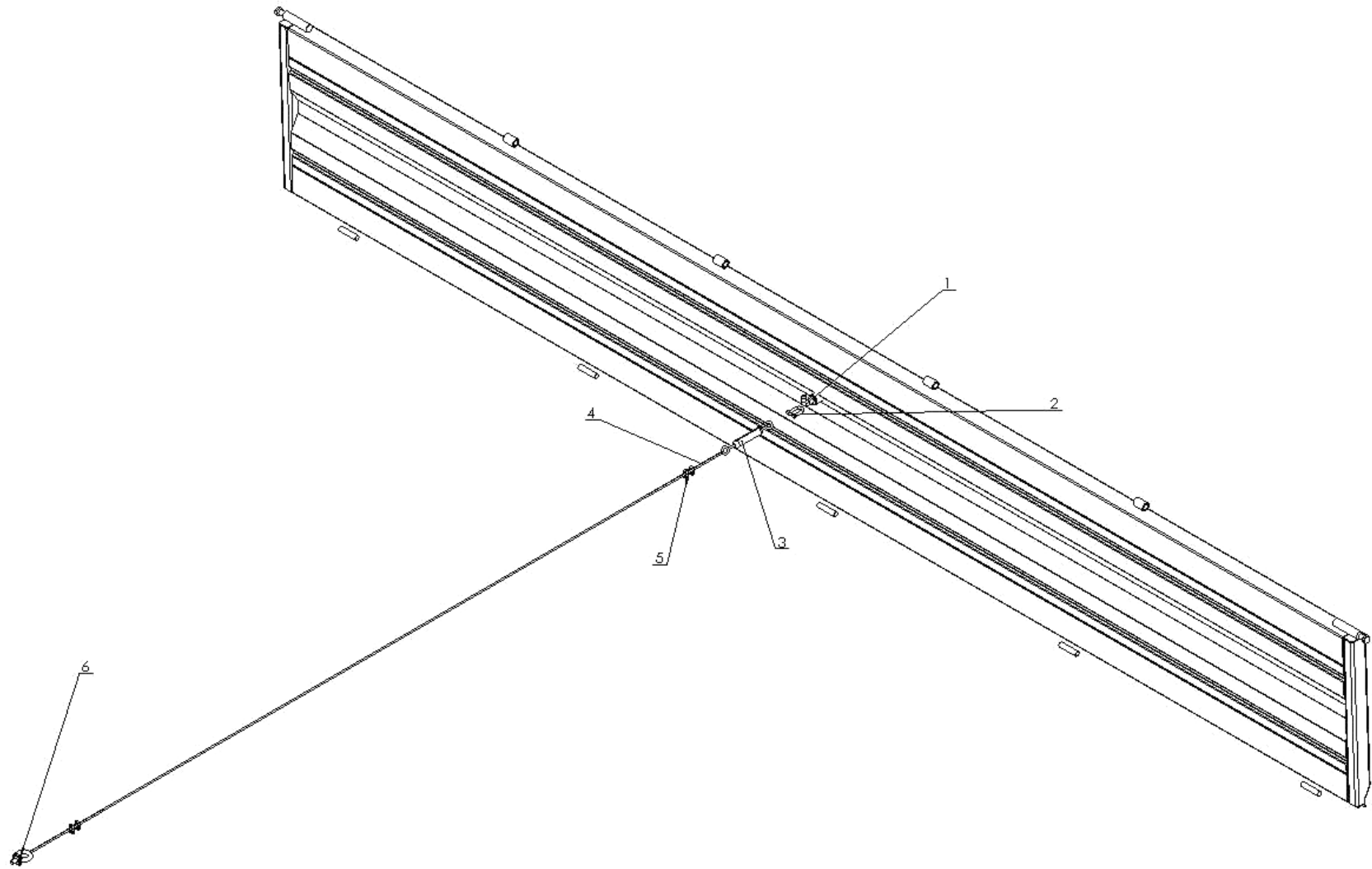


Table 4

Wall tension member			
No. in dwg	Name of assembly or part	Drawing number or index	Quantity (pcs.)
1	Catch with axis	T710-1 03.00.09.0	1
2	Shackle, 8mm	POD-ELZ-000451	1
3	Tensioning bolt, M10, eye+eye (bottle screw)	POD-ELZ-000076	1
4	Wire rope 6 mm	23LS6	1
5	Rope clamp 10 mm	POD-ELZ-000075	4
6	Eye bolt M12 galv. DIN 580	23SU12OC	1

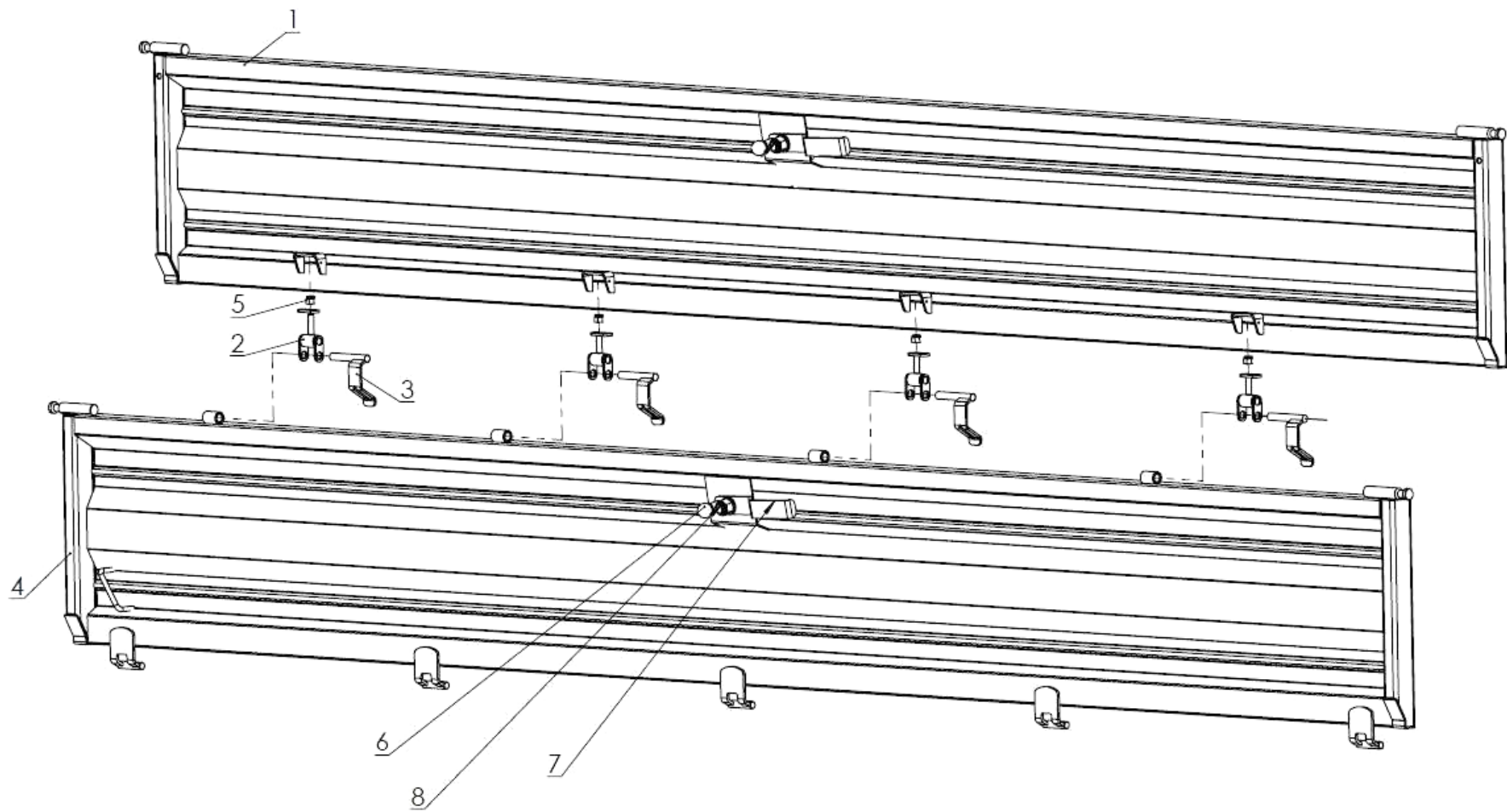


Table 5

Left wall			
No. in dwg	Name of assembly or part	Drawing number or index	Quantity (pcs.)
1	Left top section, set	T711-2 03.10.00	1
2	Top section hinge	T710-1 03.14.00	4
3	Lock, set	T710-1 03.16.00	4
4	Left side wall, set	T711-1 03.07.00	1
5	Self-retaining nut M12 galv. 82175 8	23NS12OC	4
6	Knob B32 M8	28B32M8	2
7	Chain tensioning lever	T710-1 03.15.00	2
8	Catch with axis	T710-1 03.00.09.0	2

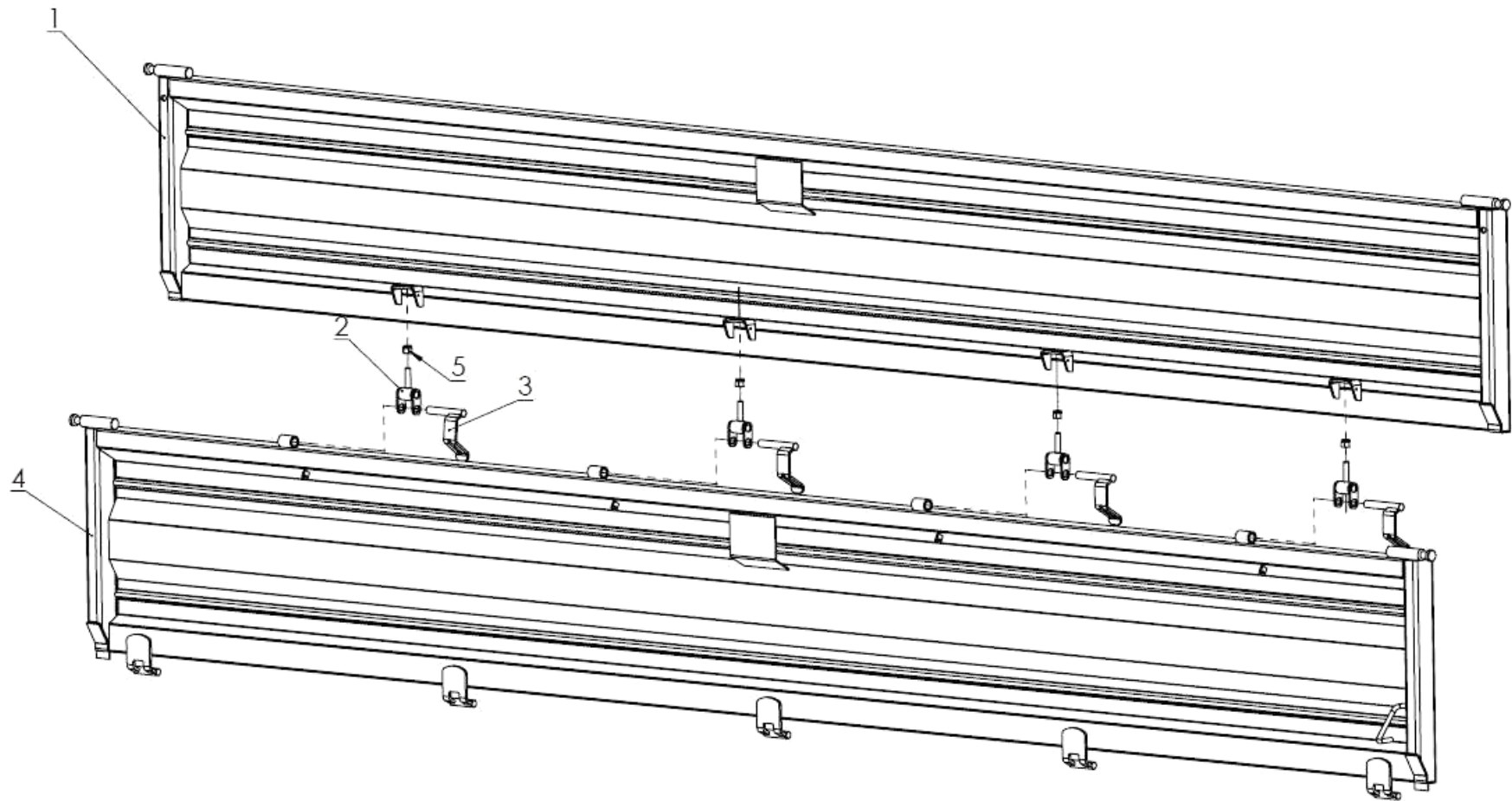


Table 6

Right wall			
No. in dwg	Name of assembly or part	Drawing number or index	Quantity (pcs.)
1	Right top section, set	T711-2 03.11.00	1
2	Top section hinge	T710-1 03.14.00	4
3	Lock, set	T710-1 03.16.00	4
4	Right side wall, set	T711-1 03.03.00	1
5	Self-retaining nut M12 galv. 82175 8	23NS12OC	4

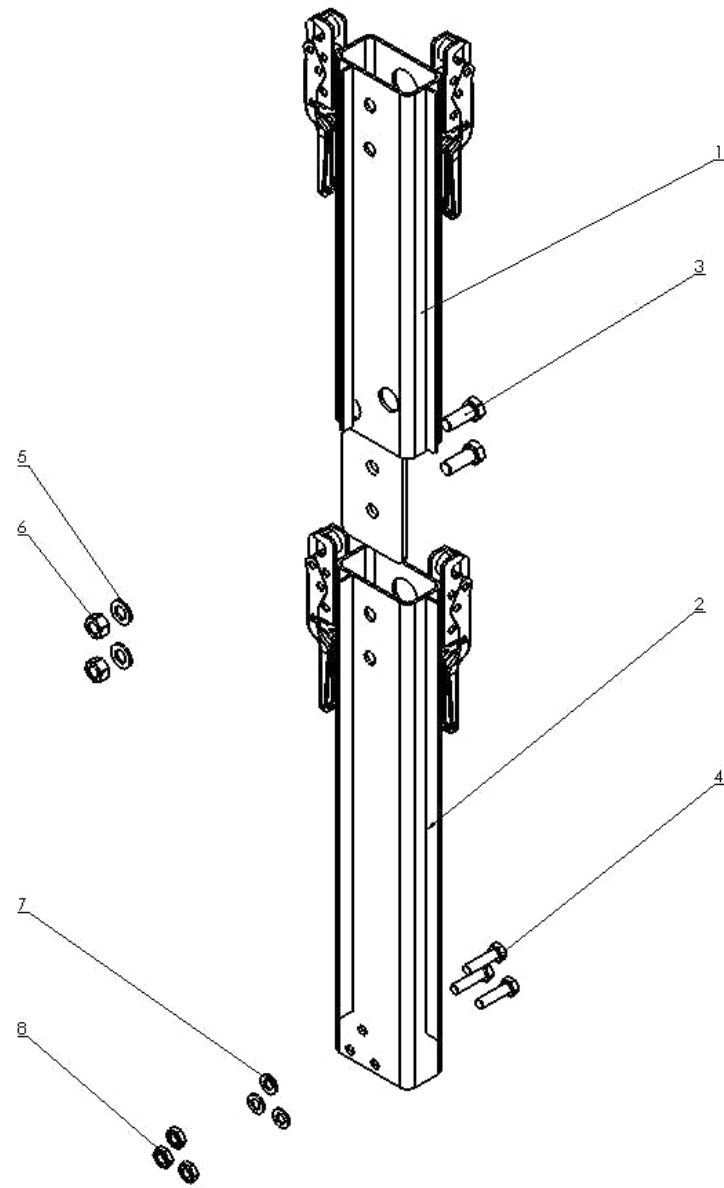


Table 7

Posts			
No. in dwg	Name of assembly or part	Drawing number or index	Quantity (pcs.)
1	Right/left top section support post, set	T711-2 03.11.00 / T711-2 03.12.00 or T711-3 03.11.00 / T711-3 03.12.00	1/1
2	Right/left rear post, set	T711-1 03.04.00 / T711-1 03.05.00 or T711-2 03.04.00 / T711-2 03.05.00	1/1
3	Bolt, M16x40 82105	23S16/40 8.8OC	1
4	Bolt, M12x35 82105	23S12/35OC 8.8	1
5	Round washer, 16 galv.	23P16OOC	1
6	Self-retaining nut, M16 galv. 82175 8	23NS16OC	1
7	Round washer, 12 galv.	23P12OC	1
8	Self-retaining nut, M12 galv. 82175 8	23NS12OC	1

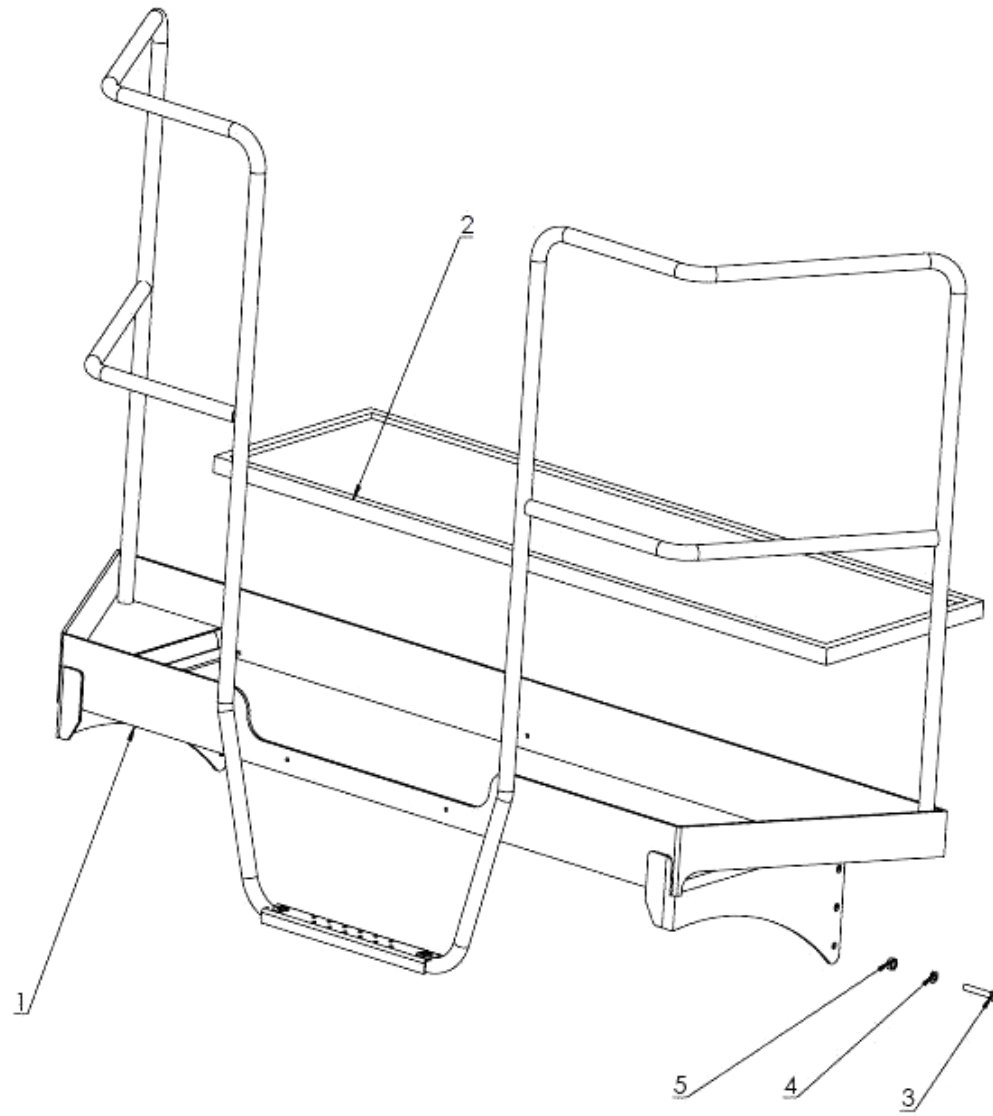


Table 8

Rigid platform, complete T739 07.00.00			
No. in dwg	Name of assembly or part	Drawing number or index	Quantity (pcs.)
1	Rigid platform	T739 07.01.00	1
2	Platform grating 30x2x420x1390	POD-OGL-000420	1
3	Bolt 10x70c 82105	23S10/70	6
4	Round washer, 10 galv. 82005	23P10 82005	6
5	Nut, M10 galv. 82144	23N10OC	6

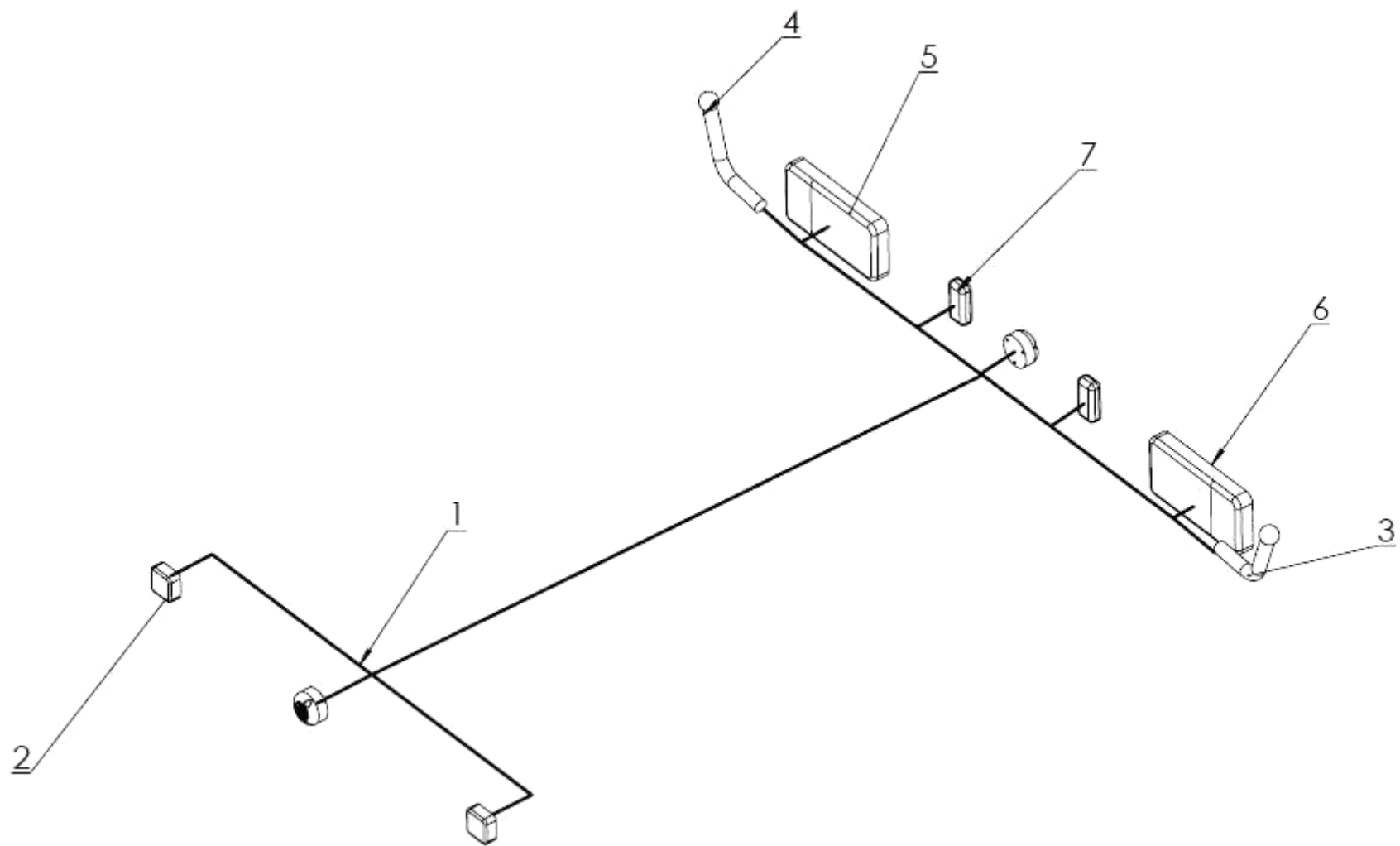


Table 9

Electrical system T710-1 02.90.00			
No. in dwg	Name of assembly or part	Drawing number or index	Quantity (pcs.)
1	Trailer harness, 6t, 8t	POD-ELK-000086	1
2	Square clearance lamp with reflective light LO 093	POD-ELK-000011	1
3	Outrigger clearance lamp, LO 356, left	POD-ELK-000118	1
4	Outrigger clearance lamp, LO 356, right	POD-ELK-000117	1
5	License plate lamp, LT105	POD-ELK-000029-1	2
6	Cluster lamp, LZT 206 left	POD-ELK-000081	1
7	Cluster lamp, LZT 204, right	POD-ELK-000080	1

The system includes bands (POD-ELK-000001) and self-adhesive rectangular reflective lights 4.5x9.5 U0030 (POD-OGL-000019-1)

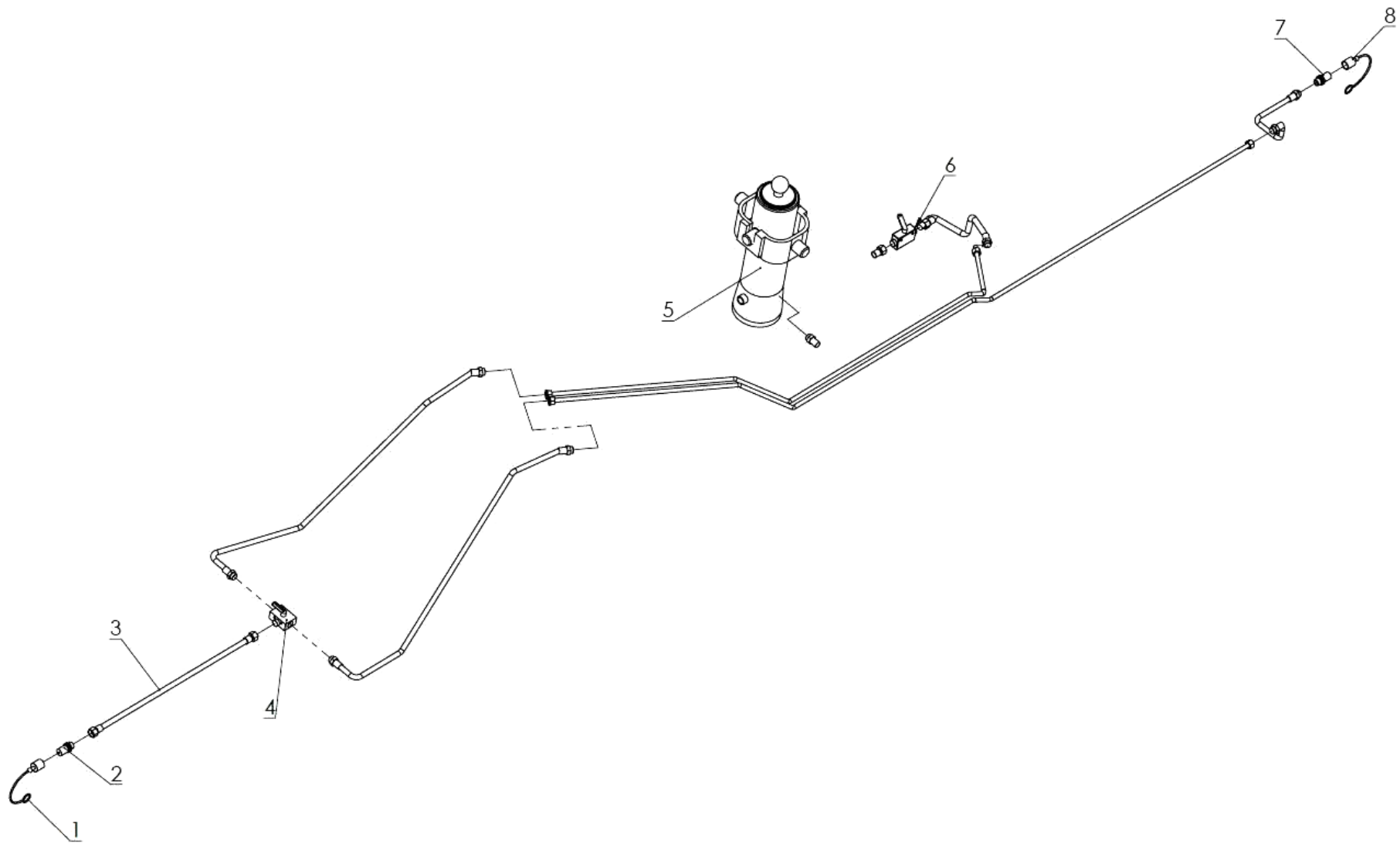


Table 10

Trailer hydraulic system T711 T730 T711-1 02.91.00			
No. in dwg	Name of assembly or part	Drawing number or index	Quantity (pcs.)
1	Euro 13 valve plug cap	24ZWNE13	1
2	Euro 13 valve-plug, M22x1.5	24ZWE13	1
3	Set no. 26-2 10, 12t trailer	POD-HPR-000300	1
4	Three-way ball valve, RS3L15L	POD-HZW-000041	1
5	CT-S246-18-75/4/1700+ZCT+Łk Actuator	POD-HSL-000063	1
6	PISTER M22x1.5 cut-off valve	POD-HZW-000018-1	1
7	EURO 13 valve-socket, M22x1.5 long	POD-HZW-000040	1
8	EURO 13 valve-socket plug	24ZGNE13	1

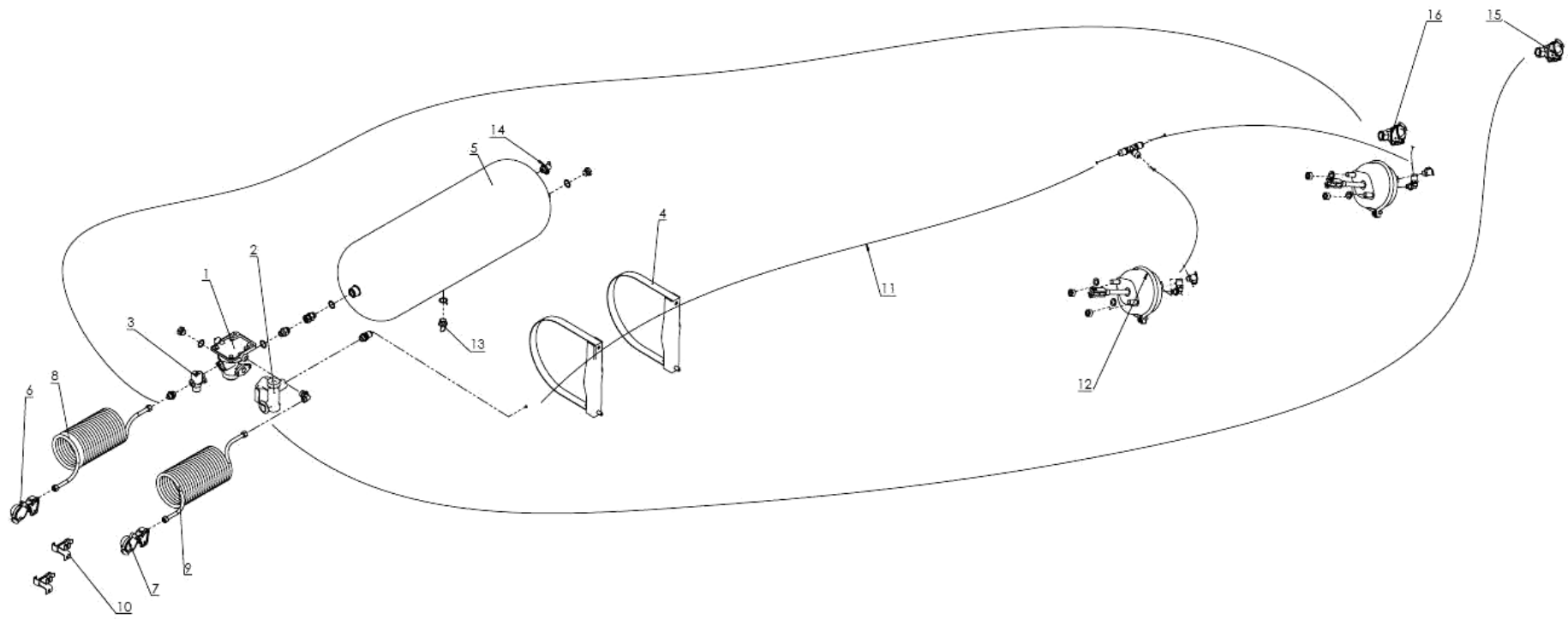


Table 11

<h2>Braking system</h2>			
No. in dwg	Name of assembly or part	Drawing number or index	Quantity (pcs.)
1	HALDEX double-circuit braking valve	POD-OGL-000621	1
2	Braking force control valve	POD-OGL-000621	1
3	HALDEX brake release	POD-OGL-000621	1
4	Tank base with band	POD-OGL-000617	1
5	Air tank 40l dia. 276	POD-OGL-000623	1
6	Brake cable connector, red	POD-OGL-000625	1
7	Brake cable connector, yellow	POD-OGL-000626	1
8	12 mm spiral cable, red	POD-OGL-000619	1
9	12 mm spiral cable, yellow	POD-OGL-000620	1
10	PNE cable hanger	POD-OGL-000618	1
11	Tecalan pipe, DN12x1.5	POD-TSZ-000050	1
12	Diaphragm actuator 24 (for T730/1) or 30 (for T730/2 and T730/3)	POD-OGL-000616 (for T730/1) or POD-OGL-000626 (for T730/2 and T730/3)	2
13	Drain valve, 83 10 011 0	POD-OGL-000622	1
14	Connector set	POD-OGL-000409	1
15	Rear brake cable connector, red	POD-PNE-000011	1
16	Rear brake cable connector, yellow	POD-PNE-000012	1