

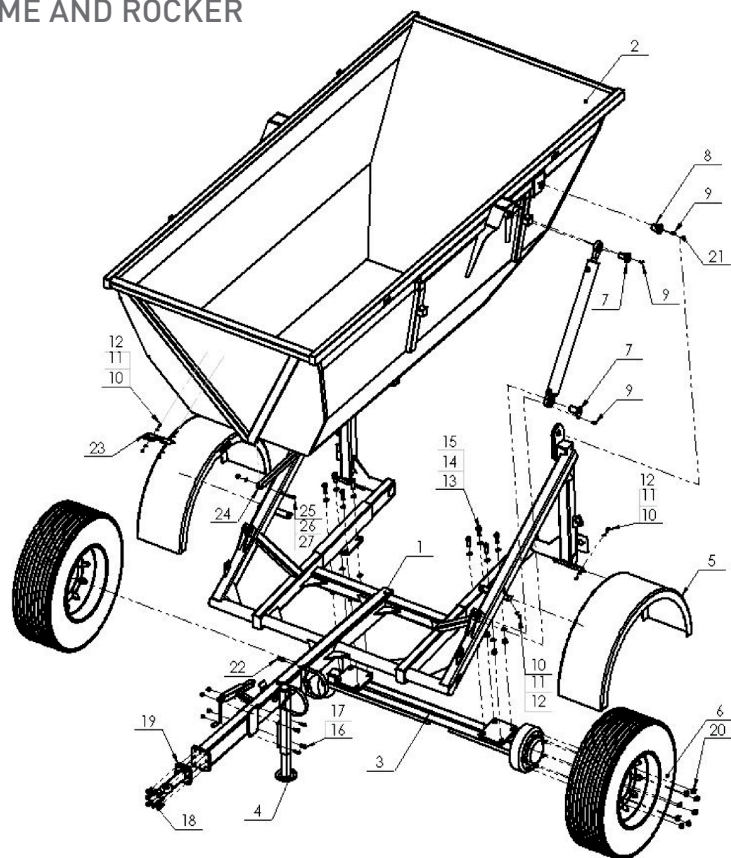




TABLE OF CONTENTS

1.	T930 TRAILER FRAME AND ROCKER	4
2.	PNEUMATIC SYSTEM	6
3.	HYDRAULIC SYSTEM	8
4.	ELECTRICAL SYSTEM	10

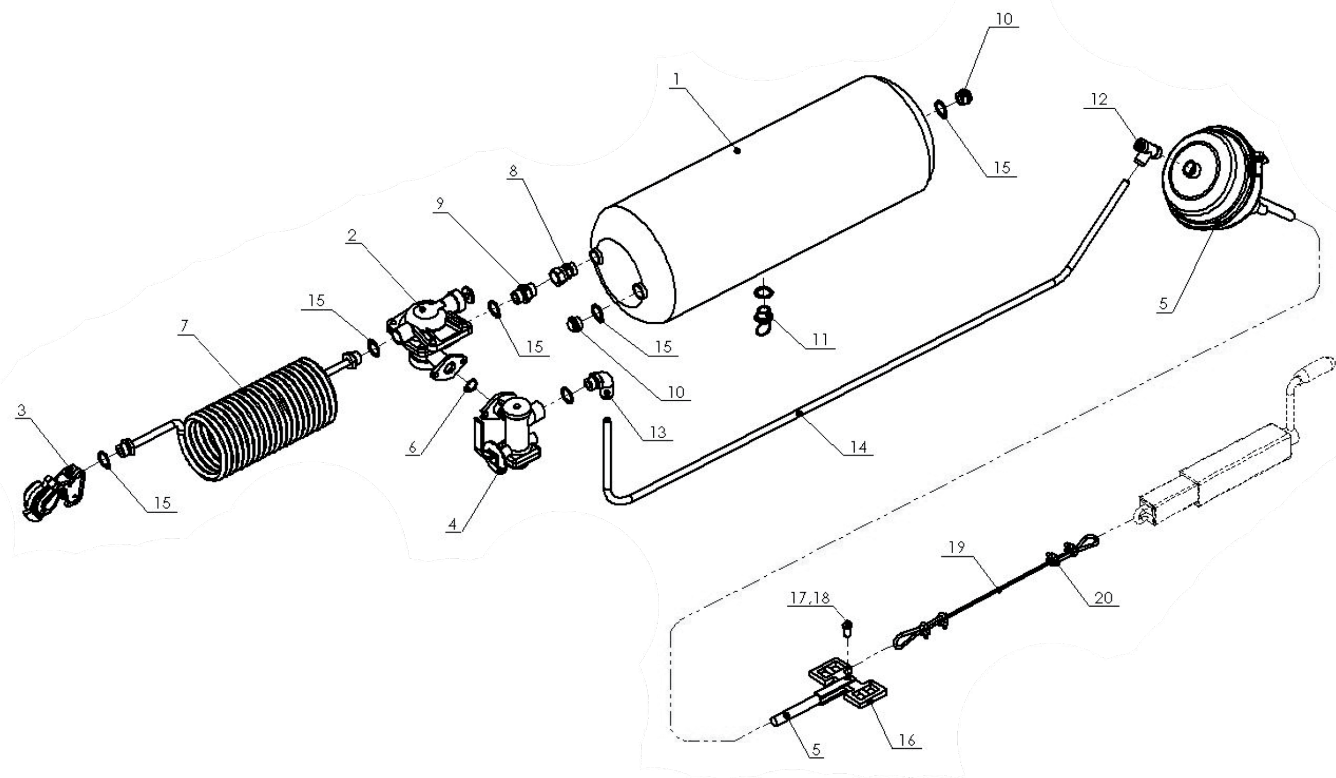
1. T930 TRAILER FRAME AND ROCKER



No.	Part or assembly designation	Drawing number or standard	Index	Qty
1	Trailer frame and rocker	RPS 01.01.00		1
2	Rocker	RPS 03.01.00		1
3	Trailer frame and rocker axle unit	RPS 01.03.00		1
4	Foot, set	RPS 01.02.00		1
5	Mudguard		POD-0-GL-000161	2
6	Wheel, 385/65 R22.5 Bandenmark		POD-KOJ-000036	2
7	Actuator pin	RPS 03.03.00		4
8	Tipping pin	RPS 03.02.00		2
9	Bolt, M10x20 8.8	PN/M-82105		6
10	Bolt, M8x25 8.8	PN/M-82105		12
11	Washer, M8	PN/M-82005		24
12	Self-locking nut, M8	PN/M-82175		12
13	Bolt, M20x60 10.9	PN/M-82105		8
14	Washer, M20	PN/M-82005		16

No.	Part or assembly designation	Drawing number or standard	Index	Qty
15	Self-locking nut, M20	PN/M-82175		8
16	Bolt, M8x35 8.8	PN/M-82105		4
17	Self-locking nut, 12	PN/M-82175		4
18	Bolt, M16x45 10.9	PN/M-82105		8
19	Catch, N274		POD-ODL-000030	1
20	Fine-thread nut, M20			16
21	Grease nipple, M10		23SM10/1	2
22	Nut, M12	PN/M-82144		4
23	Cable hanger	RPS 03.00.06		1
24	Support	RPS 03.04.01		1
25	Bolt, M10x70	PN/M-82105		1
26	Washer, M10	PN/M-82005		2
27	Self-locking nut, M10	PN/M-82175		1

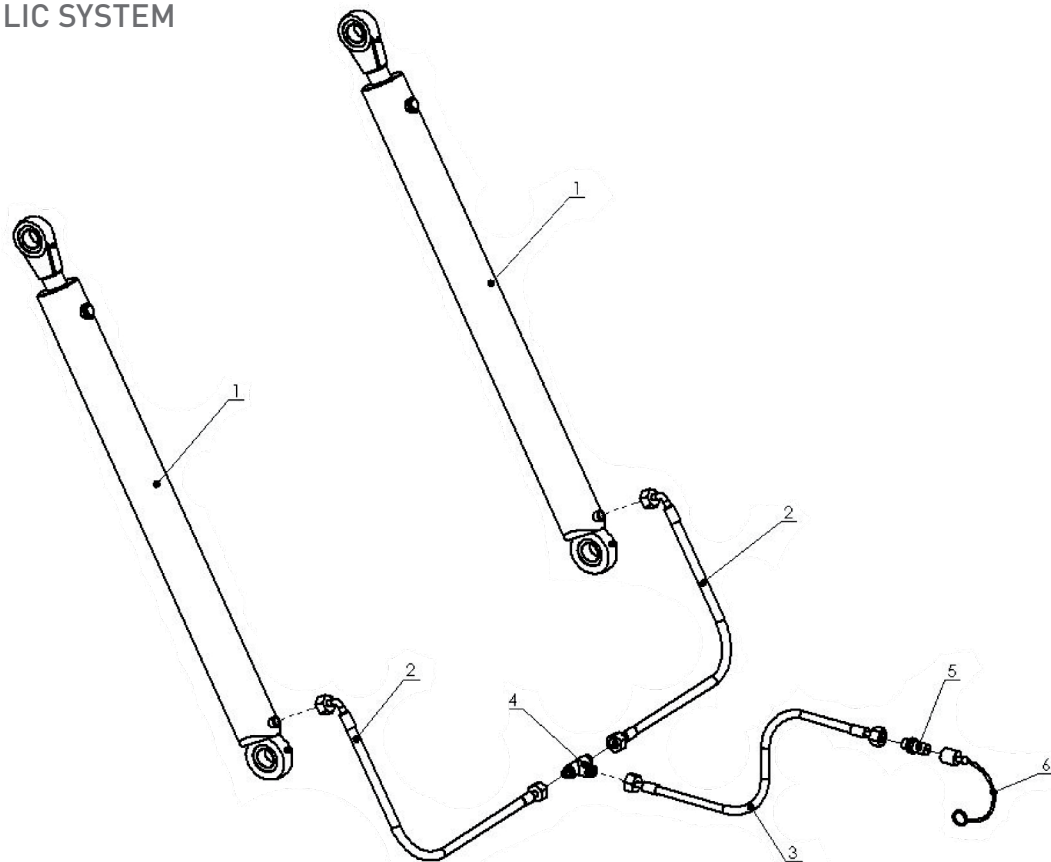
2. PNEUMATIC SYSTEM



No.	Part or assembly designation	Drawing number or standard	Index	Qty
1	Air tank, 20 l	391.204.0	24ZCP20L	1
2	Trailer brake valve	44 11 011 0	25ZHP	1
3	Conduit connector	87 30 010	25ZP	1
4	Braking force controller, 3-range	61 11 012	POD-O-GL-000067	1
5	Diaphragm actuator 24		POD-O-GL-000321	1
6	O-ring		(with adjuster)	1
7	Spiral cable, 6 m (20 turns), M22		POD-P-NE-000004	1
8	Straight union, M22 (with nut)		POD-HKR-00041	1
9	Straight coupling M22xM22		24K22/22	1
10	Plug, M22x1.5		24K22/1.5	2

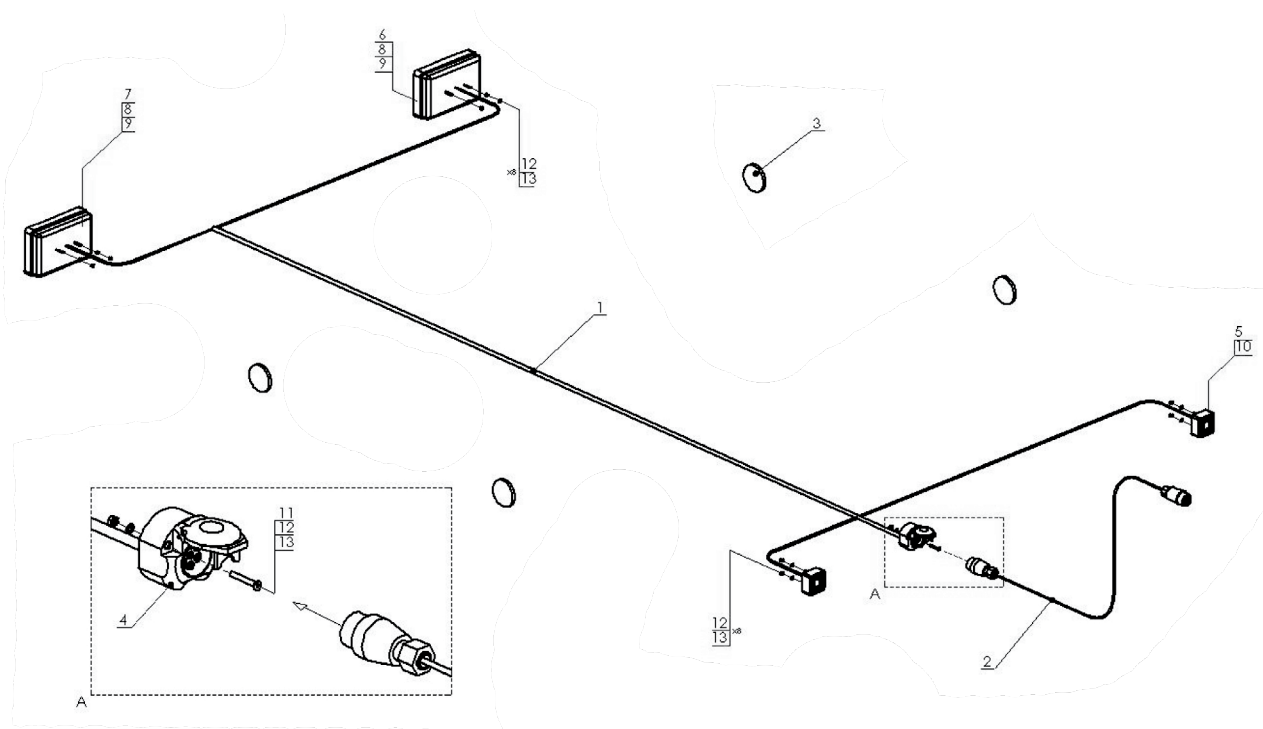
No.	Part or assembly designation	Drawing number or standard	Index	Qty
11	Drain valve	83 10 011 0	23ZODW.	1
12	Pneumatic check connector, M16x1.5		POD-PZL-000039	1
13	Pneumatic elbow M22-12x1.5		POD-PZL-000016	1
14	Tecalan pipe, DN12x1.5 L = 3 m		POD-TSZ-000050	1
15	Copper washer, 22x28x1.5		24U22	6
16	Brake pull (axle part)			1
17	Pin, Ø10 (axle part)		POD-KOS-000083	1
18	Cotter pin, Ø2 (axle part)			1
19	Cable, 5.0-T 1x19-Z-II-g-140 L=1.5 m	PN/M-80203	23LS5	1
20	Rope clamp, Ø5	PN/M-80241	23ZL	4

3. HYDRAULIC SYSTEM



No.	Part or assembly designation	Drawing number or standard	Index	Qty
1	Hydraulic actuator, SMT2, 80/45/850		POD-H-SL-000097	2
2	Hydraulic hose, L=1700			2
3	Hydraulic hose L=3000			1
4	Symmetrical tee-connector, M22xM22xM22		24TN22/22/22	1
5	Euro valve-plug, M22x1.5		24ZWE13	1
6	Euro plug valve cap		24ZWNE13	1

4. ELECTRICAL SYSTEM



No.	Part or assembly designation	Drawing number or standard	Index	Qty
1	Trailer frame and rocker cable harness			1
2	Electrical cable, L=3000 with 7-pin plug			1
3	Reflective light, round, orange		POD-ELK-000090	4
4	Pin connector socket	12N		1
5	Square clearance lamp with reflective light	LO 093	POD-ELK-000011-1	2
6	Cluster lamp, tail, with reflective triangle (left)	HOR45-LZT 471	POD-ELK-000012-1	1

No.	Part or assembly designation	Drawing number or standard	Index	Qty
7	Cluster lamp, tail, with reflective triangle (right)	HOR45-LZT 478	POD-ELK-000013-1	1
8	Bulb, 12 V 5 W tubular CWS 37 mm			2
9	Light bulb, 12 V 21 W (P21W)			4
10	Light bulb, 12 V 5 W W5W (press-fit)			2
11	Screw, M5x35	PN/M-82208		3
12	Spring washer, Ø5.2	PN/M-82008		11
13	Nut, M5	PN/M-82144		11

SALES **METAL-FACH®**

16-100 Sokółka, ul. Kresowa 62
phone +48 85 711 07 88, fax: +48 85 711 07 89
handel@metalfach.com.pl

SERVICE **METAL-FACH®**

16-100 Sokółka, ul. Kresowa 62
phone: +48 85 711 07 80, fax: +48 85 711 07 93,
serwis@metalfach.com.pl

WHOLESALE - SPARE PARTS **METAL-FACH®**

16-100 Sokółka, ul. Kresowa 62
phone: +48 85 711 07 81, fax: +48 85 711 07 93,
hurtownia@metalfach.com.pl

METAL-FACH®

METAL-FACH SP. Z O.O.; KRESOWA 62; 16-100 SOKÓŁKA