

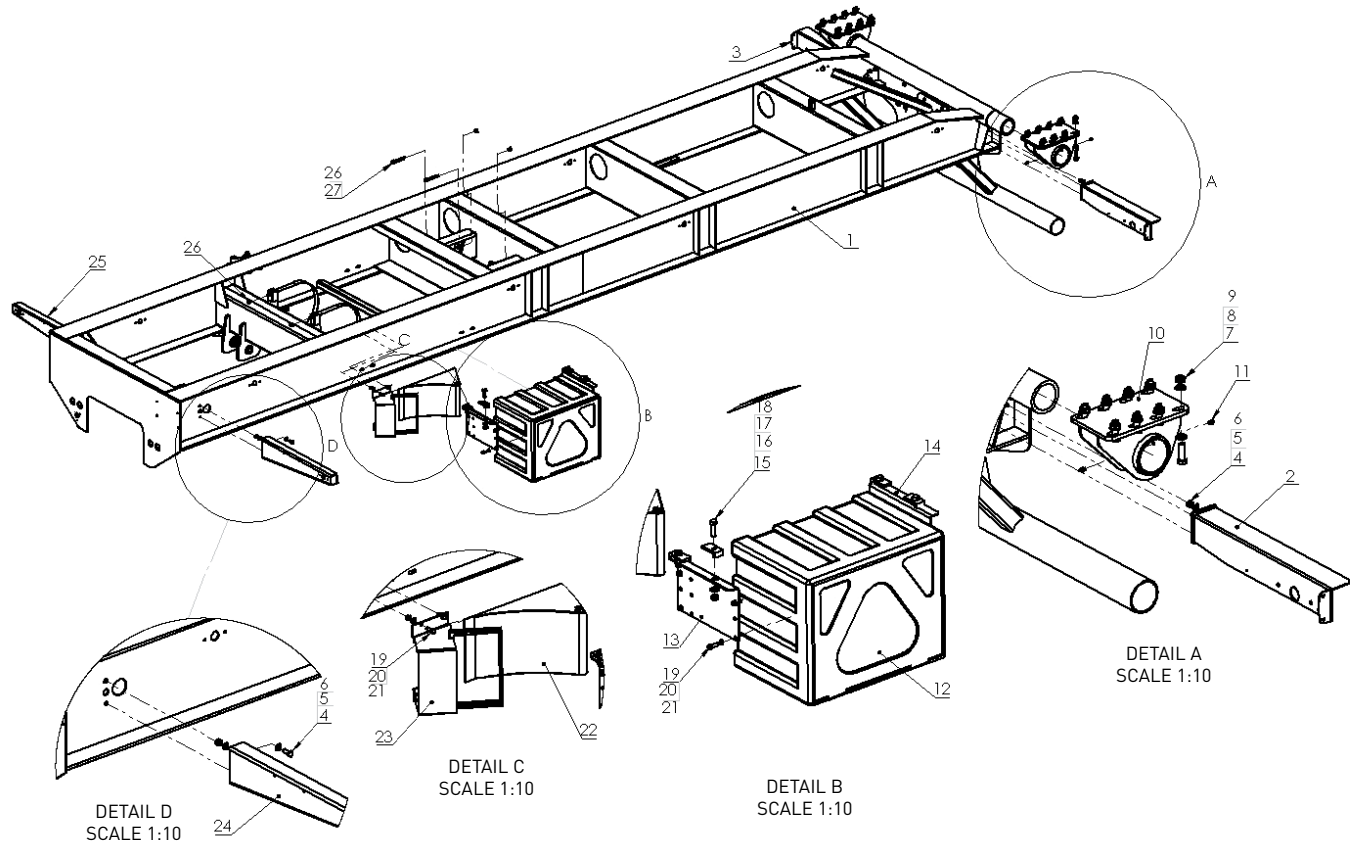




TABLE OF CONTENTS

1.	Main frame		9.	ADR components catalogue	
2.	Hitch part		10.	Tandem set	
3.	Load body — hinge		11.	Hydraulic support	
4.	Load body — top section		12.	Rear gate hydraulic system	
5.	Load body — mud guards		13.	Tipping system hydraulic system	
6.	Load body — connecting chain		14.	Pneumatic braking system	
7.	Work platform		15.	Hydraulic braking system	
8.	Wheel system		16.	Electrical system for lighting	
				Contacts	

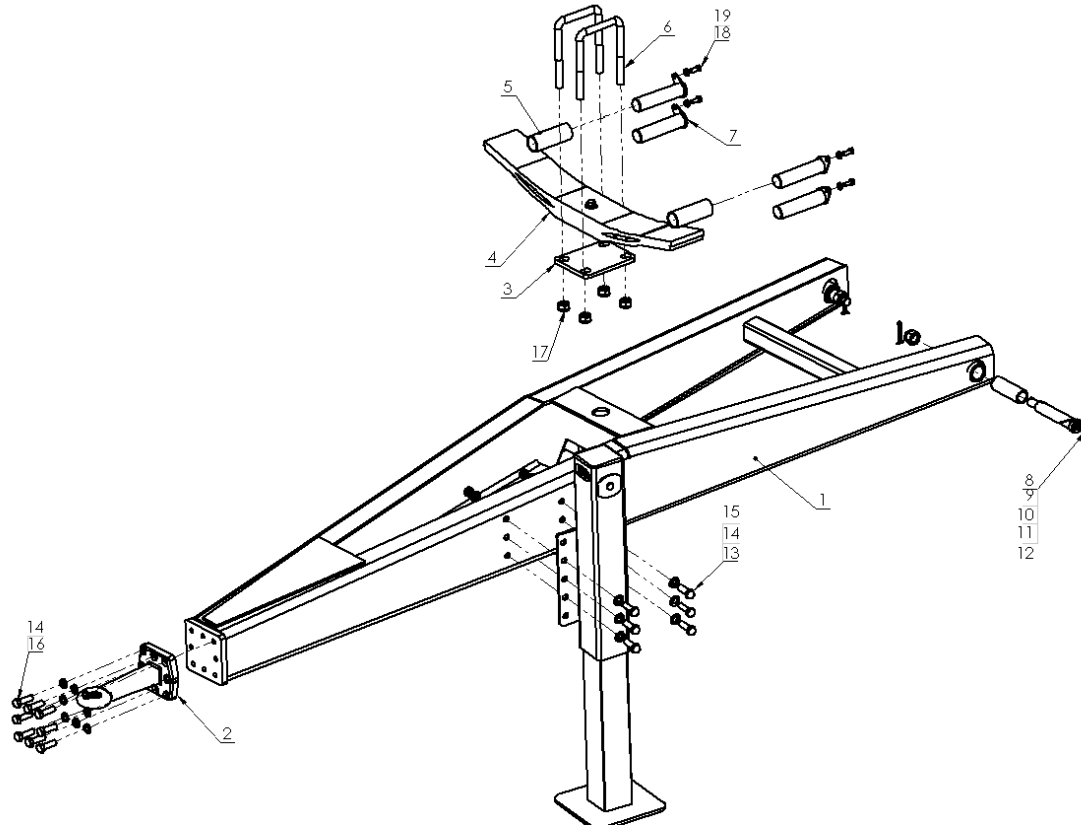
MAIN FRAME



Item	Name	Part Number	Quantity (pieces)	
			T935/1	T935/2
1	Main frame	T935 02.01.00	1	1
2	Left bracket for rear lamp	T935 00.03.037L	1	1
3	Right bracket for rear lamp	T935 00.03.037P	1	1
4	Bolt M10x25 8.8 82105	23S10-250C 8,8	10	10
5	Round washer 10 galv. 82005	23P10 82005	20	20
6	Self-retaining nut, M10 galv. 82175	23NS100C	10	10
7	Bolt M16x50 8.8 82105	23S16-500C 8,8	16	16
8	Round washer, 16 galv. 82005	23P160C	32	32
9	Self-retaining nut, M16 galv. 82175	23NS160C	16	16
10	Hinge	T935 03.01.00	2	2
11	Straight grease nipple M10x1.0	23SM10/1	4	4
12	Toolbox 500x400x350mm	POD-OGL-000164	1	1
13	Toolbox left bracket	NW100 00.09.00L	1	1
14	Toolbox right bracket	NW100 00.09.00P	1	1

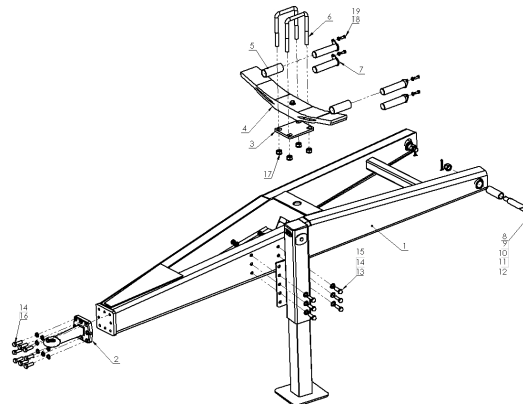
Item	Name	Part Number	Quantity (pieces)	
			T935/1	T935/2
15	Bolt, M12x40 82105	23S12-400C 8,8	4	4
16	Clip	NW100 00.00.10	4	4
17	Round washer, 12 galv. 82005	23P120C	4	4
18	Self-retaining nut, M12 galv. 82175	23NS120C	4	4
19	Bolt M8x25 8.8 82105	23S8-250C 8,8	12	12
20	Plain washer 8	23P80C	16	16
21	Self-retaining nut, M8 galv. 82175	23NS80C	12	12
22	Wheel chock	POD-OGL-000027-1	2	2
23	Chock handle	POD-OGL-000028-1	2	2
24	Left bracket with foot	T935 00.03.05L	1	1
25	Right bracket with foot	T935 00.03.05P	1	1
26	Self-retaining nut, M12 galv. 82175	23NS120C	4	4
27	Bolt M12x80 galv. 82101	23S12/800C 8,8	2	2

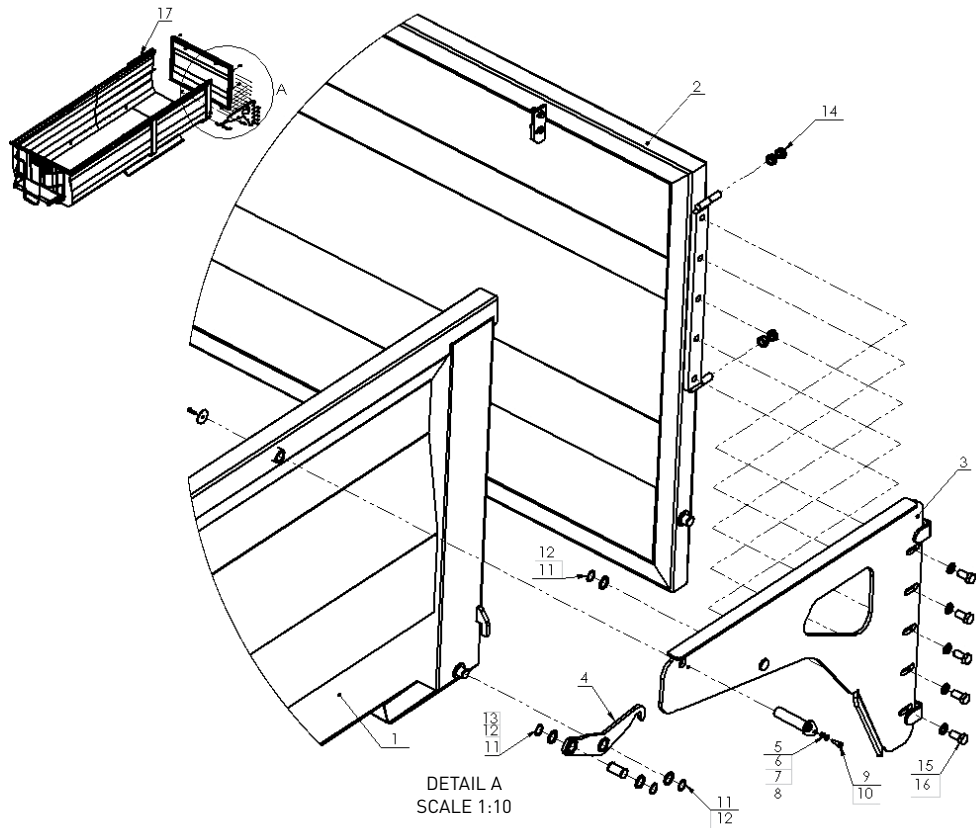
HITCH PART



Item	Name	Part Number	Quantity (pieces)	
			T935/1	T935/2
1	Hook	T935 15.00.00	1	1
2	Catch N274	POD-ODL-000030	1	1
3	Plate for spring	T935 02.0 1.100	1	1
4	Trailer drawbar spring	POD-KOS-000076	1	1
5	Spring sleeve	T935 00.00.01	2	2
6	Spring stirrup bolt	T935 00.00.02	2	2
7	Suspension spring pin	T935 00.01.00	4	4
8	Straight grease nipple M10x1.0	23SM10/1	2	2
9	Drawbar pin	T935 02.00.13.1	2	2
10	Slide bush	T935 02.00.12.1	2	2

Item	Name	Part Number	Quantity (pieces)	
			T935/1	T935/2
11	Castellated nut, M24, class 8 galv. 82148	POD-ELZ-000396	2	2
12	Cotter pin, 6.3x50	POD-ELZ-000440	2	2
13	Bolt M16x50 8.8 82105	23S16-500C 8,8	6	6
14	Round washer, 16 galv. 82005	23P160C	20	20
15	Self-retaining nut, M16 galv. 82175	23NS160C	6	6
16	Bolt M16x45 galv. 10.9 82105	POD-ELZ-000402	8	8
17	Self-retaining nut, M20 galv. 82175	23NS200C	4	4
18	Bolt M10x25 8.8 82105	23S10-250C 8,8	4	4
19	Round washer 10 galv. 82005	23P10 82005	4	4

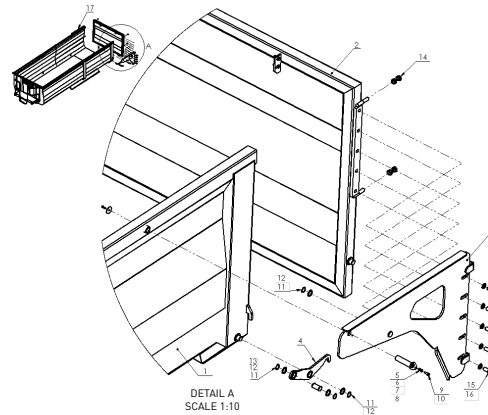




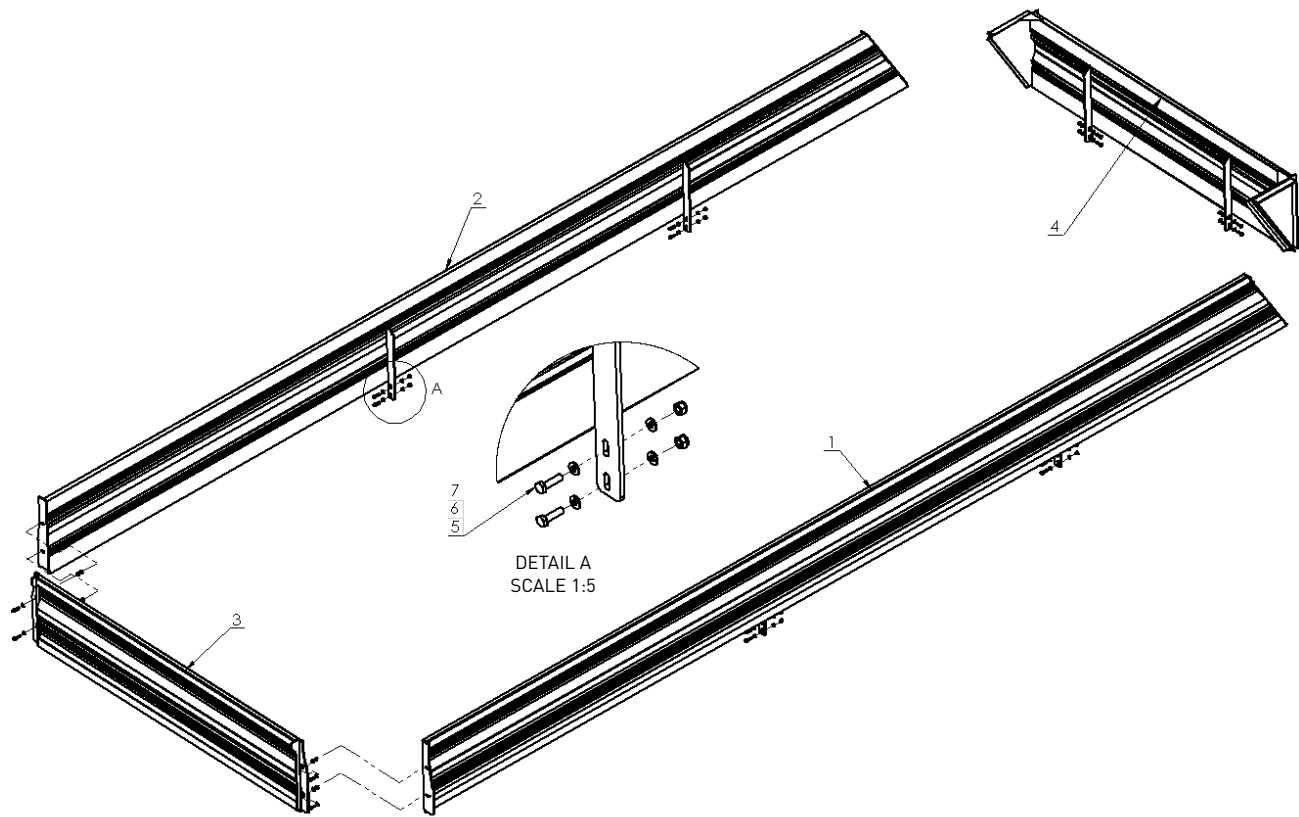
Item	Name	Part Number	Quantity (pieces)	
			T935/1	T935/2
1	Body	T935 10.01.00	1	1
2	Rear gate	T935 10.02.00	1	1
3	Gate hinge left	T935 04.02.00L	1	1
4	Gate lock	T935 10.03.00	2	2
5	Straight grease nipple, M8x1.0	23SM8	2	2
6	Hinge pin	T935 00.03.00	2	2
7	Washer	T935 10.00.02	2	2
8	Bolt, 6x25 galv. 8.8 52105	23S6/250C 105	2	2
9	Bolt M8x25 8.8 82105	23S8-250C 8,8	2	2
10	Spring washer, 8.2 galv. 82008	23P8SP OC	2	2

Item	Name	Part Number	Quantity (pieces)	
			T935/1	T935/2
11	Seeger ring Z30	23SZ30	8	8
12	Round washer, 30 galv. 82005	23P30OOC	8	8
13	Actuator pin	T935 10.00.01	2	2
14	Nut, M20 galv. 82144 5	23N200C	8	8
15	Bolt, 20x50 galv. 82105	23S20/50 8,8	10	10
16	Spring washer 20.5 galv. 82008	23P20SP	10	10
17	Gate hinge, right	T935 04.02.00P	1	1
18*	Rubber gasket SP-51A 30x20	POD-TSZ-000071	5rm	5rm

*item not marked on the drawing



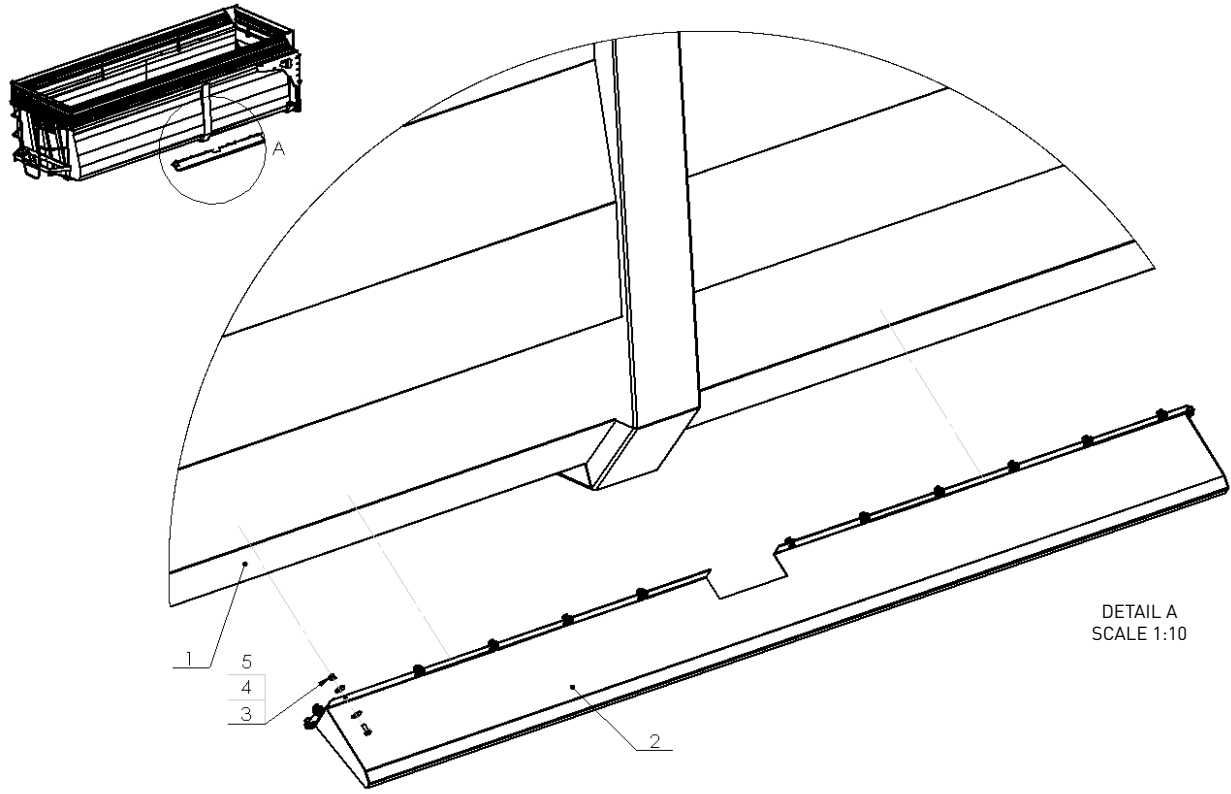
LOAD BODY-TOP SECTIONS



Item	Name	Part Number	Quantity (pieces)	
			T935/1	T935/2
1	Left top section	T935 05.01.00L	1	1
2	Right side section	T935 05.01.00P	1	1
3	Front top section	T935 07.01.00	1	1
4	Rear top section	T935 06.01.00	1	1

Item	Name	Part Number	Quantity (pieces)	
			T935/1	T935/2
5	Bolt, 10x35 galv. 82105	23S10-350C 8,8	16	16
6	Round washer 10 galv. 82005	23P10 82005	32	32
7	Self-retaining nut, M10 galv. 82175	23NS100C	16	16





LOAD BODY — MUD GUARDS

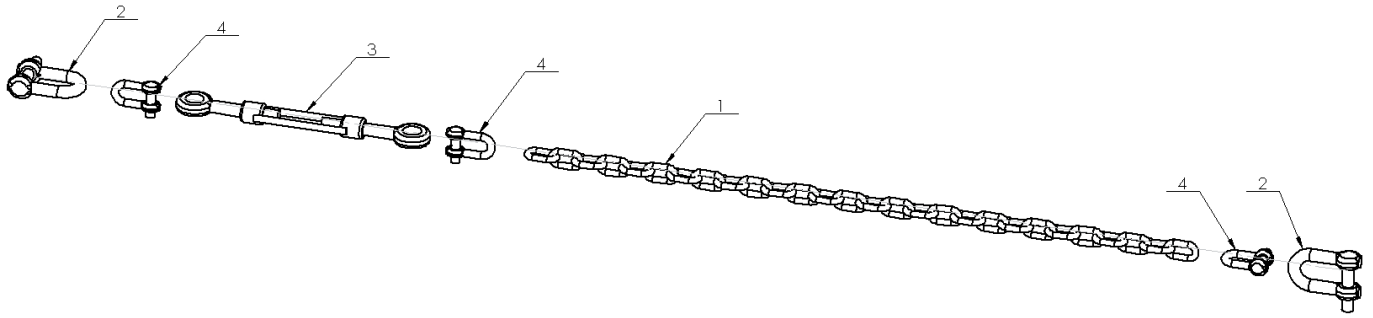


No. on the drawing	Name	Part Number	Quantity (pieces)	
			T935/1	T935/2
1	Load body	T935 10.01.00	1	1
2	Left mud guard	T935 10.04.00L	1	1
3	Bolt, 8x20 galv. 82105	23S8/200C 8,8	30	30
4	Round washer, 8 galv. 82019	23P8 820190C	60	60

No. on the drawing	Name	Part Number	Quantity (pieces)	
			T935/1	T935/2
5	Self-retaining nut, M8 galv. 82175 8	23NS80C	30	30
6*	Right mud guard	T935 10.04.00P	1	1
*item not marked on the drawing				

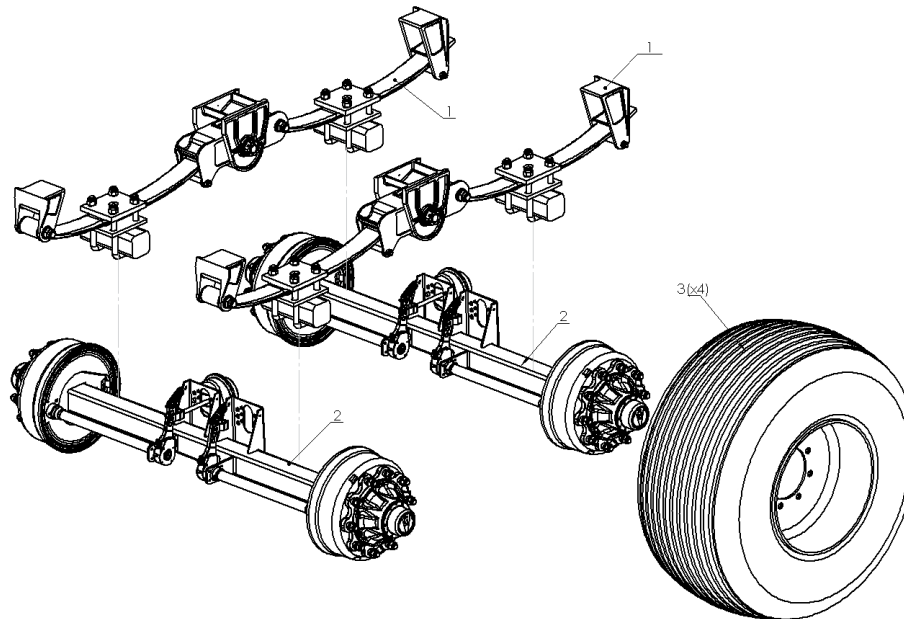


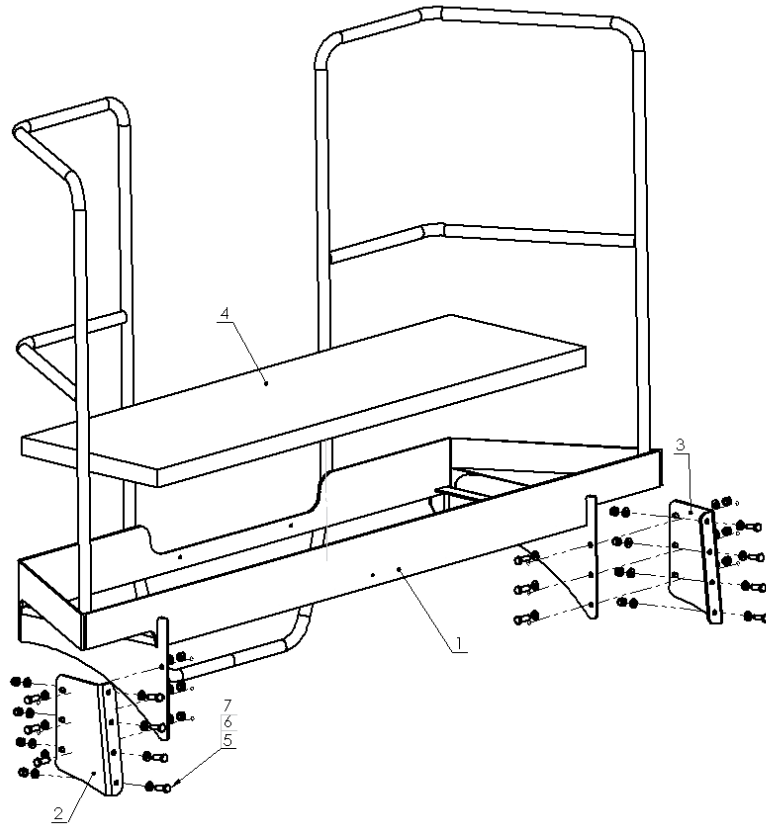
LOAD BODY — CONNECTING CHAIN



Item	Name	Part Number	Quantity (pieces)	
			T935/1	T935/2
1	Farming-type chain, 8mm galv. 8x30x50	23LSF180C	5 kg	5 kg
2	Shackle, 16 mm	POD-ELZ-000477	2	2

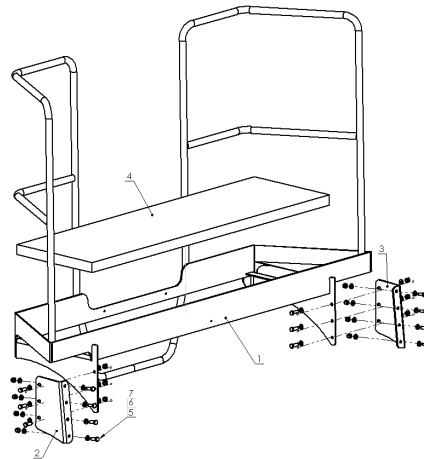
Item	Name	Part Number	Quantity (pieces)	
			T935/1	T935/2
3	Turnbuckle M16 galv. DIN 1480 hole	POD-ELZ -000062-1	1	1
4	Shackle, 10 mm/0.5 t	POD-ELZ-000072	3	3



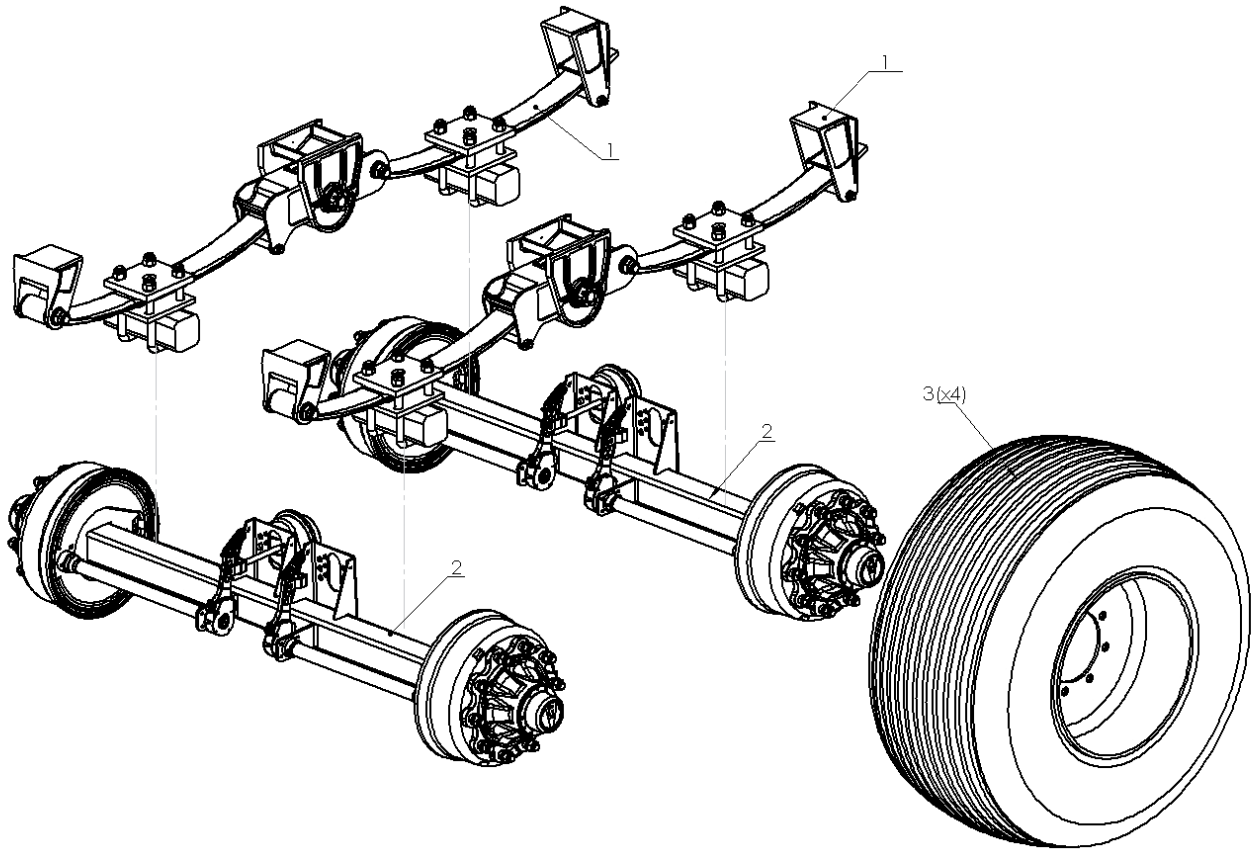


Item	Name	Part Number	Quantity (pieces)	
			T935/1	T935/2
1	Half-pipe body platform	T935 08.01.00	1	1
2	Left platform bracket	T935 10.00.03L	1	1
3	Right platform bracket	T935 10.00.03P	1	1
4	Platform grating 30x2x420x1390 galv. for T711	POD-OGL-000420	1	1

Item	Name	Part Number	Quantity (pieces)	
			T935/1	T935/2
5	Bolt, 10x30 galv. 82105	23S10-300C 8,8	14	14
6	Round washer, 10 galv. 82005	23P10 82005	28	28
7	Self-retaining nut, M10 galv. 82175	23NS100C	14	14



WHEEL SYSTEM



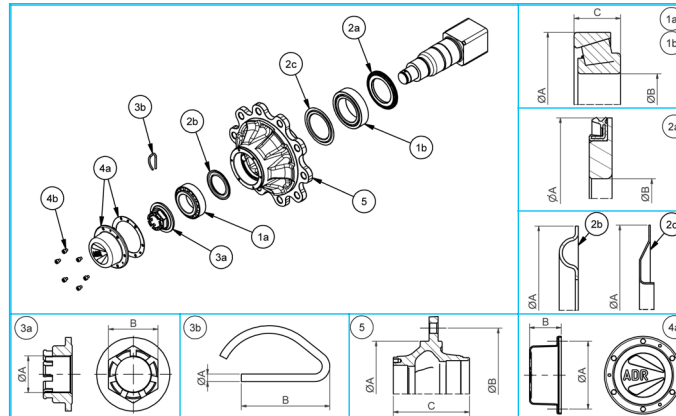
Item	Name	Part Number	Quantity (pieces)	
			T935/1	T935/2
1	Suspension KE2153B41040	POD-KOS-000099	1 set	-
1	Suspension KD2136D2N1035	POD-KOS-000087	-	1 set

Item	Name	Part Number	Quantity (pieces)	
			T935/1	T935/2
2	Axle AA0UA1VA031	POD-KOS-000098	2	2
3	Wheel 550/60 22.5 10 holes	POD-KOJ-000069	4	4





Axle type - UA -



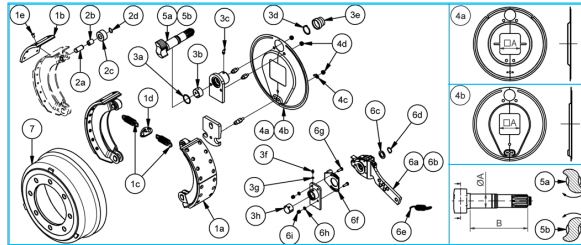
Item	Description	Code	A	B	C	Qty.	Kit code
1a	Bearing 33114	59133114	120	70	37	1	9RCUA
1b	Bearing 33018	59133018	140	90	39	1	
2a	Oil seal	5441402	140	92	-	1	
2b	Nilos 33114	5531092	109	-	-	1	9RNUA
2c	Nilos 33018	5511402	140	-	-	1	
3a	Crown nut	57548B6	M48X1,5	65	-	2	9RDF4865
3b	Spring pin	58209	5	58	-	2	
4a	Cap with gasket	56112501	139	62	-	2	9RT125AC
4b	Screw M8X1,25	96308A0101	-	-	-	12	
5	Hub 8 holes for M20X1,5	61L8UA002	220	275	198	1	61L8UA002
	Hub 10 holes for M22X1,5	61L1UA003	280	335	198	1	61L1UA003
	Hub 10 holes for M22X1,5	61LRUA001	175	225	198	1	61LRUA001

ADR 406X120



Brake 406X120 - 4125 - VA

(page 1 of 2)



Item	Description	Code	A	B	C	Qty.	KB code
1a	Brake shoe complete	732VA01	-	-	-	2	
1c	Spring Ø5,0 L100	738119	-	-	-	2	9RE0030
1d	Twist lock	736VA01	-	-	-	1	
1b	Brake lining	734VA01	-	-	-	4	
1c	Spring Ø5,0 L100	738119	-	-	-	2	9RH0010
1d	Twist lock	736VA01	-	-	-	1	
1e	Rivet	96701	-	-	-	34	
1c	Spring Ø5,0 L100	738119	-	-	-	4	9RX0007
1d	Twist lock	736VA01	-	-	-	2	
2a	Pin Ø20 L47	83302002	-	-	-	2	
2b	Bush Ø20	771202601	-	-	-	2	9RE0070
2c	Roll Ø50	737VA01	-	-	-	2	
2d	Retaining ring Ø20	58501	-	-	-	4	
3a	O-ring W3.53 Ø41.28	53104101	-	-	-	2	
3b	Camshaft bush Ø42	771422601	-	-	-	4	
3c	Grease nipple M8X1,25	98608A2	-	-	-	2	
3d	Retaining ring Ø42	58514	-	-	-	2	9RL0010
3e	Rubber cover	53A03	-	-	-	2	
3f	Grease nipple M8X1,25	98608A1	-	-	-	2	
3g	Washer Ø8	9810081	-	-	-	4	
3h	Camshaft bush Ø38	771382601	-	-	-	2	
4a	Protection plate	910PP41200	90	-	-	1	
4c	Lock washer Ø10	57B1001	-	-	-	1	(1) - 9RM0006-90
4d	Nut M10X1,5	97510B1	-	-	-	4	
4a	Protection plate	910PP412100	100	-	-	1	
4c	Lock washer Ø10	57B1001	-	-	-	1	(1) - 9RM0006-100
4d	Nut M10X1,5	97510B1	-	-	-	4	
4a	Protection plate	910PP412110	110	-	-	1	
4c	Lock washer Ø10	57B1001	-	-	-	1	(1) - 9RM0006-110
4d	Nut M10X1,5	97510B1	-	-	-	4	
4a	Protection plate	910PP412120	120	-	-	1	
4c	Lock washer Ø10	57B1001	-	-	-	1	(1) - 9RM0006-120
4d	Nut M10X1,5	97510B1	-	-	-	4	
4a	Protection plate	910PP412140	140	-	-	1	
4c	Lock washer Ø10	57B1001	-	-	-	1	(1) - 9RM0006-140
4d	Nut M10X1,5	97510B1	-	-	-	4	

(1) - For axes produced since 2002.

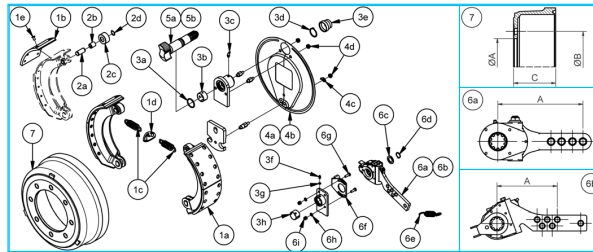
(2) - From 175mm to 300mm step 25mm. From 300mm to 1200mm step 60mm.

Brake 406X120 - 412S - VA

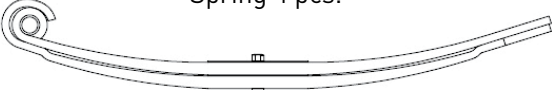
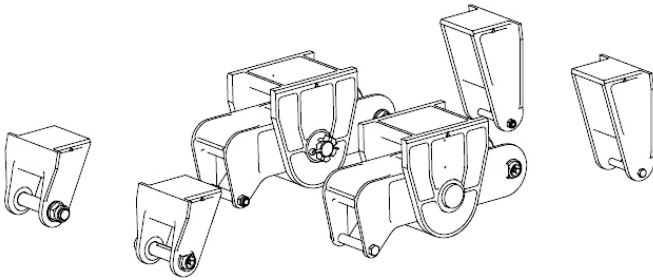
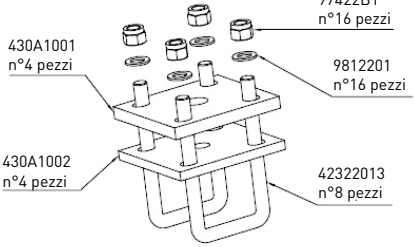
(page 2 of 2)



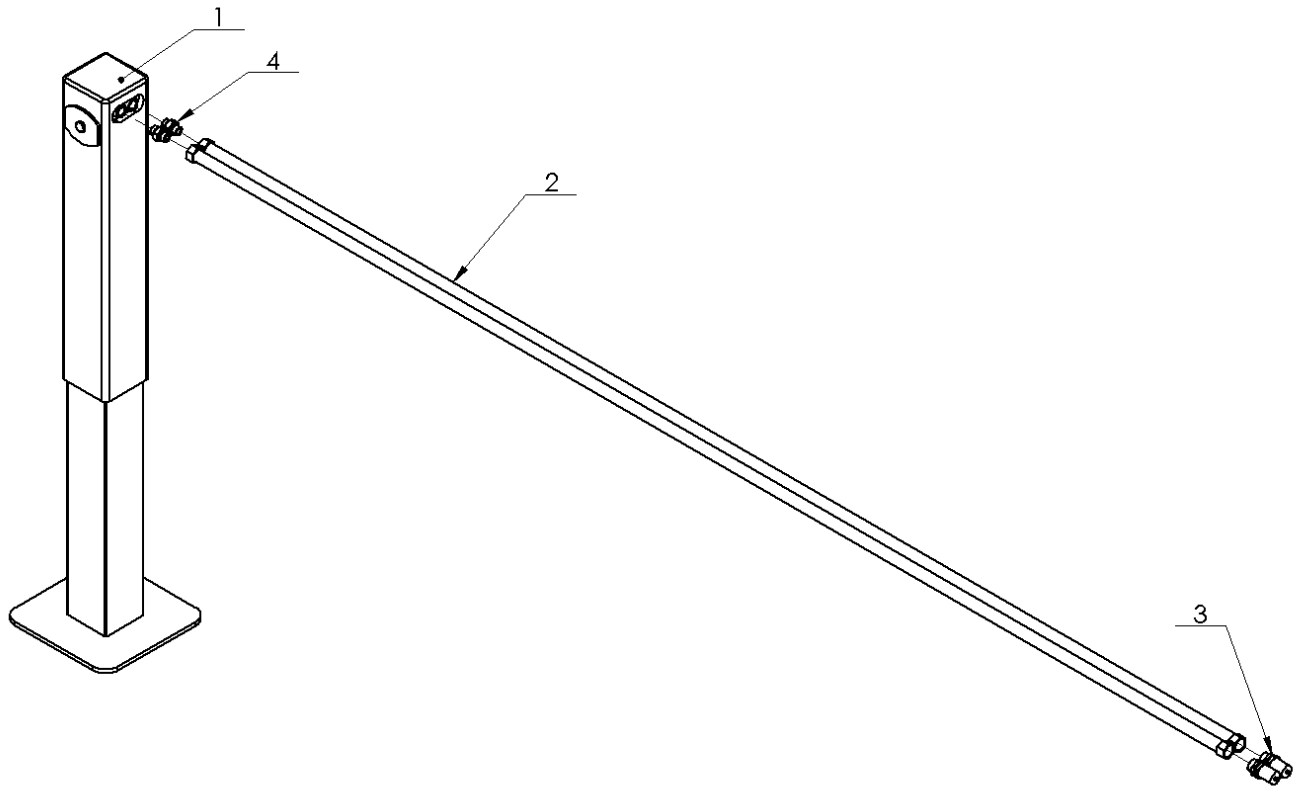
004 1000201



Item	Description	Code	A	B	C	Qty.	K3 code
4b	Protection plate	743VA9011	90	-	-	1	
4c	Lock washer Ø10	5781001	-	-	-	1	9RM003
4d	Nut M10X1,5	97510B1	-	-	-	4	
4b	Protection plate	743VAA011	100	-	-	1	
4c	Lock washer Ø10	5781001	-	-	-	1	9RM004
4d	Nut M10X1,5	97510B1	-	-	-	4	
4b	Protection plate	743VAA111	110	-	-	1	
4c	Lock washer Ø10	5781001	-	-	-	1	9RM005
4d	Nut M10X1,5	97510B1	-	-	-	4	
4b	Protection plate	743VAA211	120	-	-	1	
4c	Lock washer Ø10	5781001	-	-	-	1	9RM006
4d	Nut M10X1,5	97510B1	-	-	-	4	
4b	Protection plate	743VAA311	130	-	-	1	
4c	Lock washer Ø10	5781001	-	-	-	1	9RM007
4d	Nut M10X1,5	97510B1	-	-	-	4	
4b	Protection plate	743VAA411	140	-	-	1	
4c	Lock washer Ø10	5781001	-	-	-	1	9RM008
4d	Nut M10X1,5	97510B1	-	-	-	4	
4b	Protection plate	743VAA511	150	-	-	1	
4c	Lock washer Ø10	5781001	-	-	-	1	9RM009
4d	Nut M10X1,5	97510B1	-	-	-	4	
5a	Right camshaft	7544062	42	(2) <=300	-	1	7544062...
5a	Right camshaft	7544063	42	(2) >300	-	1	7544063...
5b	Left camshaft	7554062	42	(2) <=300	-	1	7554062...
5b	Left camshaft	7554063	42	(2) >300	-	1	7554063...
6a	Stack adjuster	7621603	203	-	-	1	
6c	Washer Ø26	9812501	-	-	-	1	
6d	Retaining ring Ø25	58808	-	-	-	1	9RR0010
6e	Spring Ø3,5 L173	738201	-	-	-	1	
6b	Automatic slack adjuster	7631600	180	-	-	1	
6c	Washer Ø26	9812501	-	-	-	1	
6d	Retaining ring Ø25	58808	-	-	-	1	
6e	Spring Ø2,8 L145	738203	-	-	-	1	9RS0004
6f	Setting plate	764011	-	-	-	1	
6g	Screw M8X1,25 L25	98108A0251	-	-	-	2	
6h	Washer Ø8	9810081	-	-	-	2	
6i	Nut M8X1,25	97408A1	-	-	-	2	
7	Drum 8 holes for M20X1,5	66LVA0801	220	275	162	1	66LVA0801
7	Drum 10 holes for M22X1,5	66LVA1001	280	335	162	1	66LVA1001

<p>KD2136D2N1035 Tandem set</p>	
<p>4181003 Spring 4 pcs.</p> 	
<p>9C96712321 Bracket front + rear + central articulated joint n°1</p> 	<p>938BRNQ10001 Connection with axle</p>  <p>97422B1 n°16 pezzi</p> <p>430A1001 n°4 pezzi</p> <p>9812201 n°16 pezzi</p> <p>430A1002 n°4 pezzi</p> <p>42322013 n°8 pezzi</p> <div style="border: 1px solid black; padding: 5px; width: fit-content; margin-left: auto; margin-right: auto;"> <p>The quantities stated above apply to 1 set</p> </div>

HYDRAULIC SUPPORT

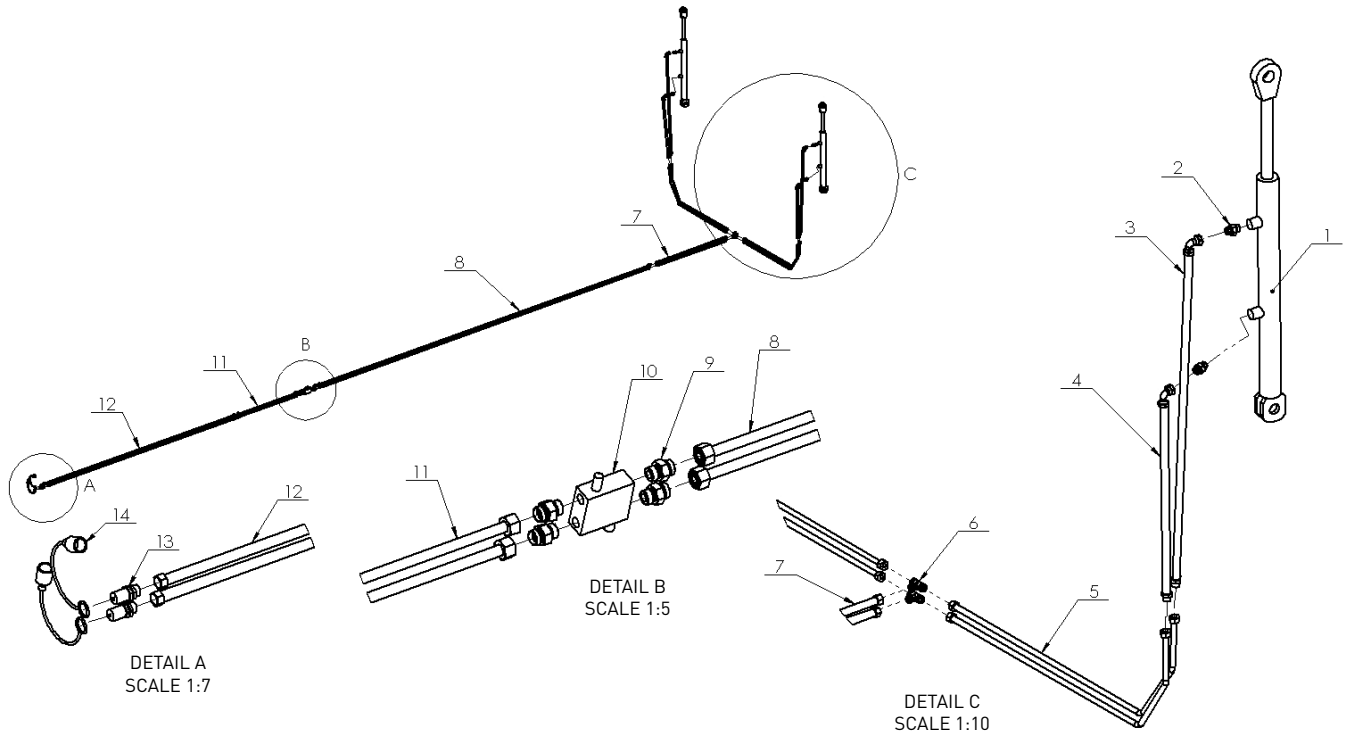


Item	Name	Part Number	Quantity (pieces)	
			T935/1	T935/2
1	Hydraulic foot 220H1040	POD-0GL-000587	1	1
2	Hydraulic line L=2500	AA23_/13 L-2500 m18	2	2

Item	Name	Part Number	Quantity (pieces)	
			T935/1	T935/2
3	Euro 13 valve-plug, M22x1.5	24ZWE13	2	2
4	Straight coupling, 3/8x18-1.5 12LR	24KP3/8 18	2	2

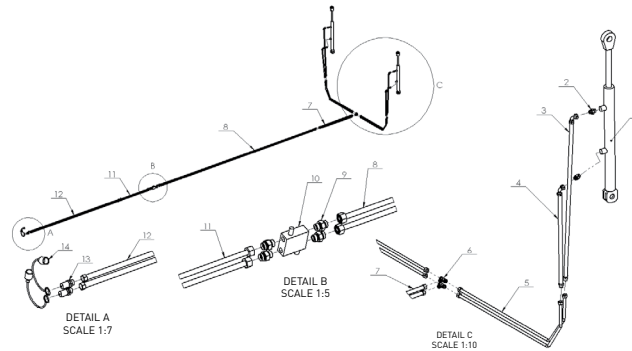


REAR GATE HYDRAULIC SYSTEM

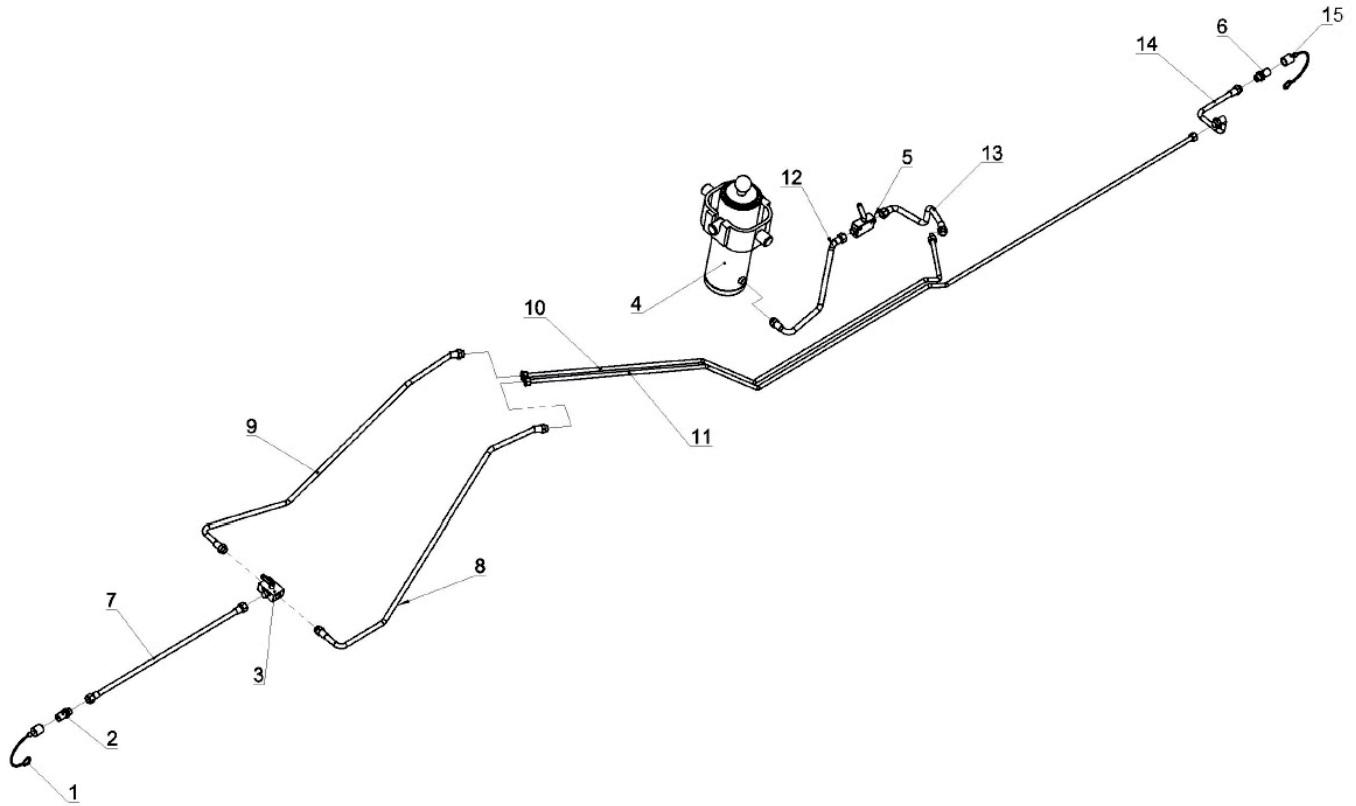


Item	Name	Part Number	Quantity (pieces)	
			T935/1	T935/2
1	Actuator 60/30/500 L-1100 UCJ321	POD-HSL-000131	2	2
2	Straight coupling 22x1.5 15L	POD-HKR-000037	4	4
3	Flexible line	AA90B/233/13 L-1150	2	2
4	Flexible line	AA90B/233/13 L-700	2	2
5	Steel line	T935 00.10.07	4	4
6	Tee-connector, 22x22x22 15L	POD-HKR-000007-1	2	2
7	Flexible line	AB/233/13 L-900	2	2
8	Steel line	T935 00.10.06	2	2

Item	Name	Part Number	Quantity (pieces)	
			T935/1	T935/2
9	Straight coupling, 1/2x22-1.5	24K1/2 22	4	4
10	Overflow cross valve VBDC3802 210b -VAU 1/2"	24ZP	1	1
11	Steel line	T935 00.10.05	2	2
12	Flexible line	AB/233/13 L-2500	2	2
13	Euro 13 valve-plug, M22x1.5	24ZWE13	2	2
14	EURO 13 plug valve adapter (green, yellow, blue, red)	24ZWNE13	2	2



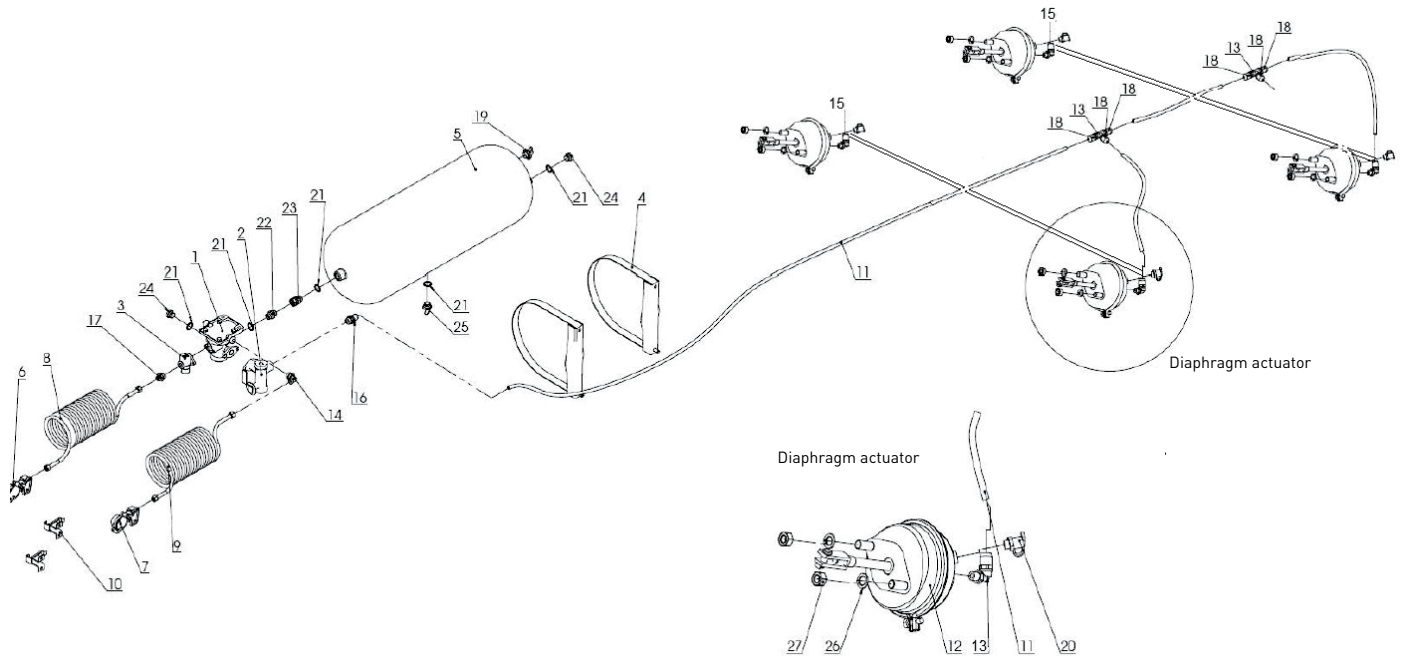
TIPPING SYSTEM HYDRAULIC SYSTEM



Item	Name	Part Number	Quantity (pieces)	
			T935/1	T935/2
1	EURO 13 plug valve adapter (green, yellow, blue, red)	24ZWNE13	1	1
2	EURO 13 valve-plug, M22x1.5	24ZWE13	1	1
3	Three-way ball valve, RS3L15L M22x1.5	POD-HZW-000041	1	1
4	Actuator PSK-00-00 UB180M702550	POD-HSL-000129	1	1
5	Trailer cut-off valve PISTER-M22x1.5 15L	POD-HZW-000018-1	1	1
6	EURO 13 valve-socket, M22x1.5 long	POD-HZW-000040	1	1

Item	Name	Part Number	Quantity (pieces)	
			T935/1	T935/2
7	Flexible line	AA/233/13 L-2500	1	1
8	Flexible line	A90A90/233/13 L-600	1	1
9	Flexible line	A90A90/233/13 L-600	1	1
10	Steel line fi15 ring+nut22	T935 00.10.02 L-3700	1	1
11	Steel line fi15 ring+nut22	T935 00.10.01 L-5300	1	1
12	Flexible line	A90A90/23_/13 L-600 3/4"	1	1
13	Flexible line	AB/233/13 L-500	1	1
14	Flexible line	AB/233/13 L-900	1	1
15	EURO 13 plug valve-socket plug (green, yellow, blue, red)	24ZGNE13	1	1

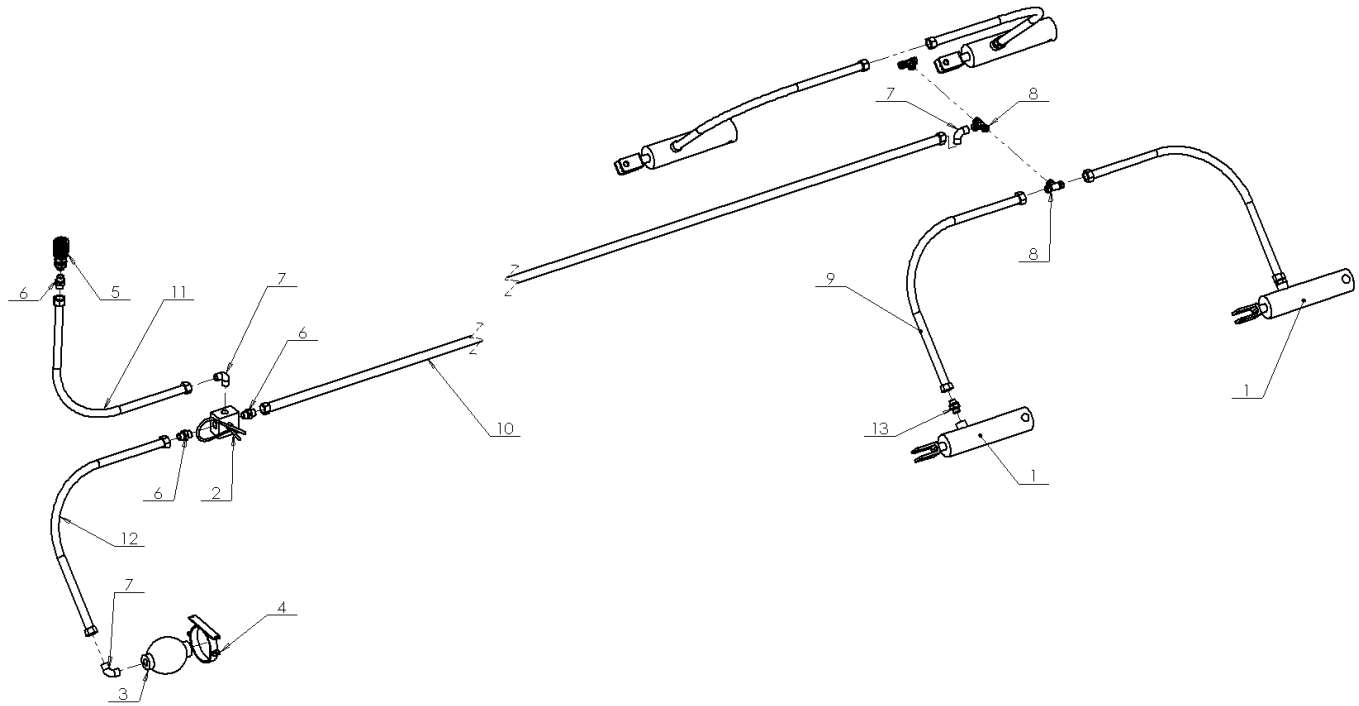
PNEUMATIC BRAKING SYSTEM



Item	Name	Part Number	Quantity (pieces)	
			T935/1	T935/2
1	HALDEX double-circuit braking valve	POD-UGL-000513 (Set - valves)	1	1
2	Braking force control valve		1	1
3	HALDEX brake release		1	1
4	Tank base with band		2	2
5	Air tank 60l dia.310		1	1
6	Brake cable connector, red		1	1
7	Brake cable connector, yellow		1	1
8	12 mm spiral cable, red		1	1
9	12 mm spiral cable, yellow		1	1
10	PNE cable hanger		2	2
11	TECALAN cable dia. 12	POD-TSZ-000050	12 rm	12 rm
12	Diaphragm actuator 24	POD-UGL-000452	4	4

Item	Name	Part Number	Quantity (pieces)		
			T935/1	T935/2	
13	Tee 3xfi12	POD-UGL-000513 (set of connectors)	4	4	
14	Elbow M22/M18z		1	1	
15	Elbow M16x1.5		2	2	
16	Straight coupling M22/12 mm		1	1	
17	Straight coupling M22/M18z		1	1	
18	Straight coupling M16/12 mm		10	10	
19	Check connector M22x1.5		1	1	
20	Check connector M16x1.5		4	4	
21	O-ring PPM 22 30x22		24UPPM22	5	5
22	Straight coupling M22		24K22-22	1	1
23	Straight coupling M22 O.D./ M22x1.5 dia.15 female	POD-HKR-000041	1	1	
24	Plug, M22x1.5	24K22/1.5	2	2	
25	Drain valve	230DW	1	1	
26	Spring washer, 16.3 82008	23P16SP	8	8	
27	Nut, M16	23N16OC	8	8	

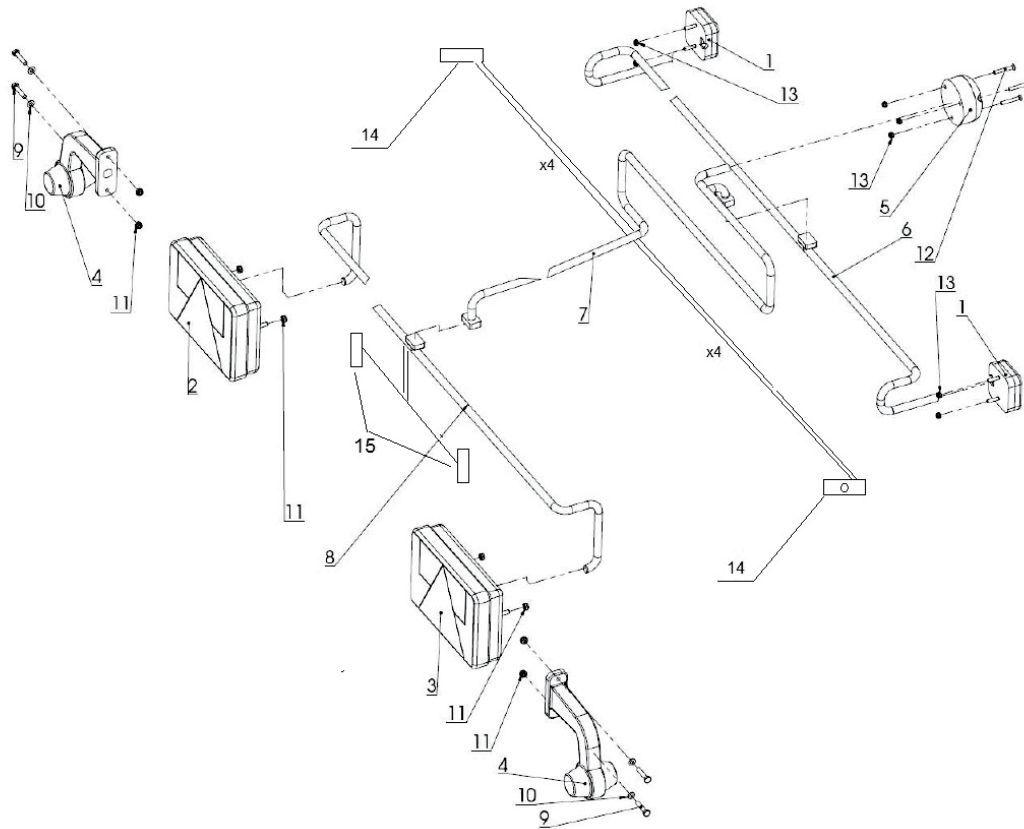
HYDRAULIC BRAKING SYSTEM



Item	Name	Part Number	Quantity (pieces)	
			T935/1	T935/2
1	brakes-actuator T730-900413 (21001465)	POD-HPZ-000113	4	4
2	brakes - emergency valve 900409 (21001461)	POD-HPZ-000118	1	1
3	brakes-hydr. actuator 0.75l (21001646)	POD-HPZ-000115	1	1
4	brakes-clamp for accum. 0.75L & 1.5L (21001623)	POD-HPZ-000116	1	1
5	brakes-quick coupling 900410 (21001462)	POD-HPZ-000117	1	1
6	Straight coupling 18x18-1.5	24KP18/18	3	3

Item	Name	Part Number	Quantity (pieces)	
			T935/1	T935/2
7	Elbow connection body M18x1.5	POD-HKR-000039	3	3
8	tee-connector 18x18x18 sym. 12L (screw-on top)	POD-HKR-000002-1	3	3
9	Flexible line I	P11 P11 10/2 L-900	4	4
10	Flexible line II	P11 P11 10/2 L-5200	1	1
11	Flexible line II	P11 P11 10/2 L-2500	1	1
12	Flexible line IV	P11 P11 10/2 L-700	1	1
13	Straight connector 3/8x18-1.5 12LR	24KP3/8 18	4	4

ELECTRICAL SYSTEM FOR LIGHTING



Item	Name	Part Number	Quantity (pieces)	
			T935/1	T935/2
1	Front position lamp W15-82 wire	POD-ELK-000239	2	2
2	Rear assembly lights W70L -387bz w/o reverse and fog lights	POD-ELK-000248	1	1
3	Rear assembly lights W70P - w/o reverse and fog lights	POD-ELK-000249	1	1
4	Marker assembly light fr-rear W21.3 -263 wire	POD-ELK-000238	2	2
5	Seven-pin socket	POD-ELK-000260 (complete wire harness)	1	1
6	Front part of wire harness		1	1
7	Main harness		1	1
8	Rear part of wire harness		1	1

Item	Name	Part Number	Quantity (pieces)	
			T935/1	T935/2
9	Bolt, 6x30 galv. 82105	23S6-30 8,8 821050C	4	4
10	Round washer, 6 galv. 82005	23P600C	4	4
11	Self-retaining nut, M6 galv. 82175 8	23NS60C	8	8
12	Screw 5x35 galv.	23W5-35	3	3
13	Self-retaining nut, M5 galv. 82175 8	POD-ELZ-000471	7	7
14	Square clearance lamp w/ reflective light LO 176/Wz	POD-ELK-000232	8	8
15	License plate lamp W08 -48	POD-ELK-000237	2	2

SALES **METAL-FACH®**

16-100 Sokółka, ul. Kresowa 62
tel.: +48 85 711 07 88, fax: +48 85 711 07 89
handel@metalfach.com.pl

SERVICE **METAL-FACH®**

16-100 Sokółka, ul. Kresowa 62
tel.: +48 85 711 07 80, fax: +48 85 711 07 93,
serwis@metalfach.com.pl

SPARE PARTS & SHOP **METAL-FACH®**

16-100 Sokółka, ul. Kresowa 62
tel.: +48 85 711 07 81, fax: +48 85 711 07 93,
sklep.mf@metalfach.com.pl

METAL-FACH®

METAL-FACH Sp. z o.o. KRESOWA 62; 16-100 SOKÓŁKA