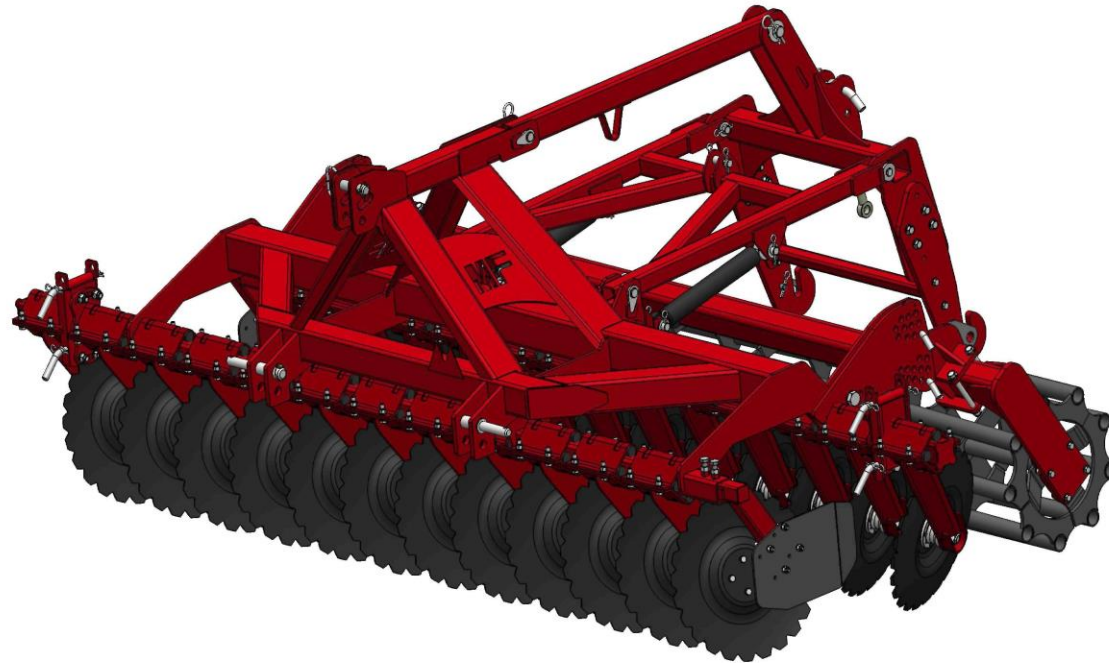
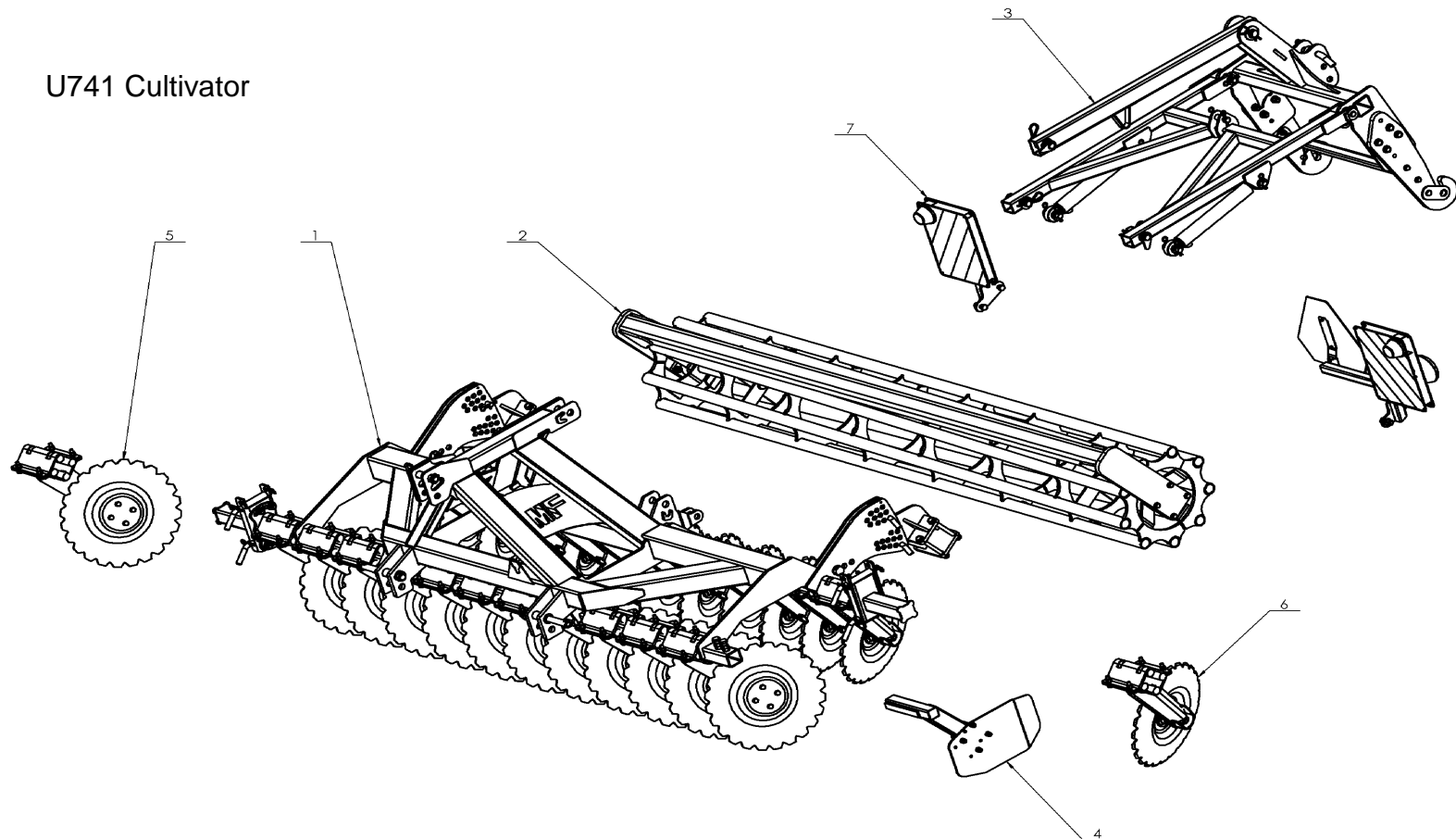


U741 Cultivator

SPARE PARTS CATALOGUE

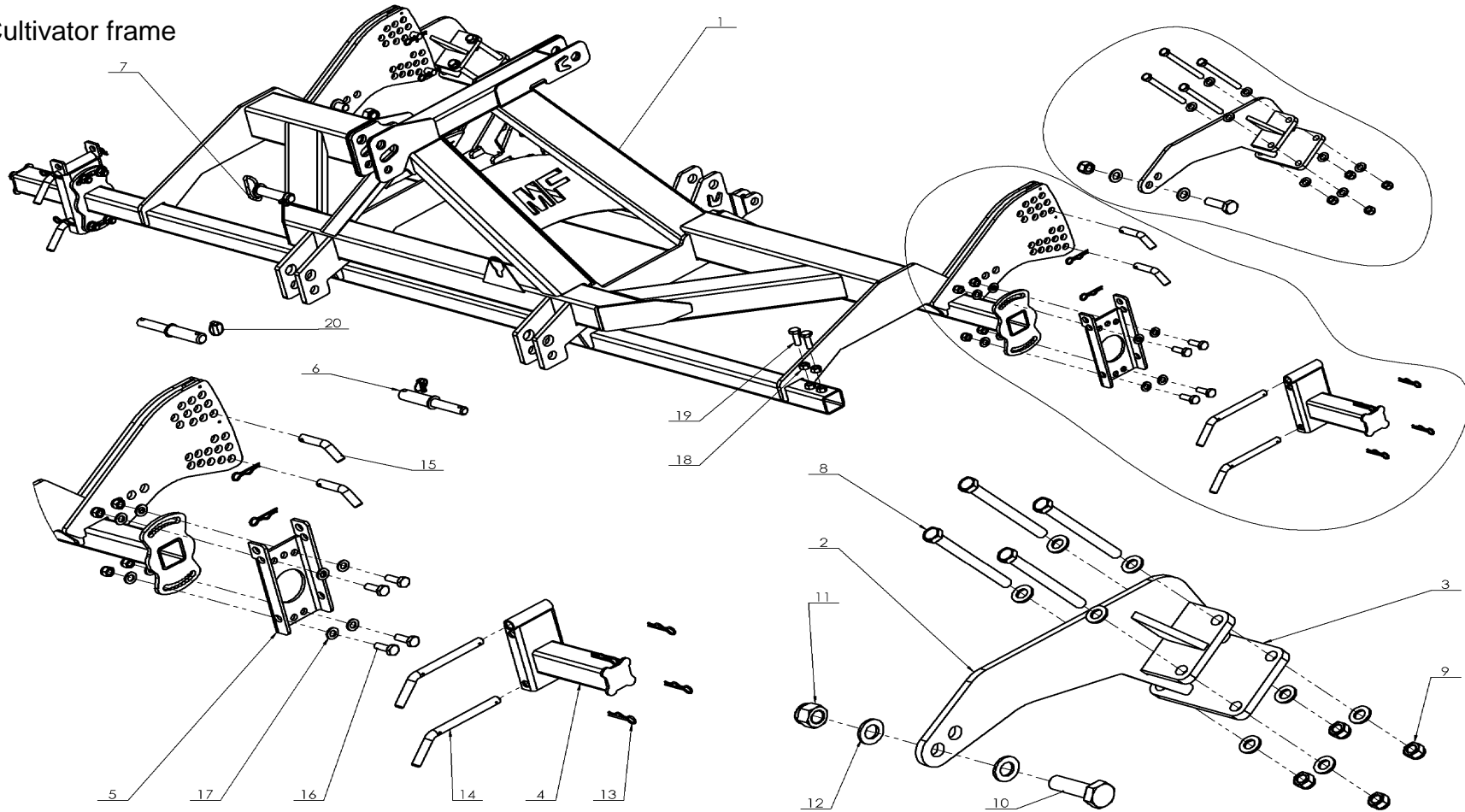


U741 Cultivator



U741 cultivator – 3.0 m			Table 1
Item no.	Name of assembly or part	U-741 mechanical adjustment Dwg no. or index no.	Quantity
1	Main frame	U741 01.01.00	1
2	Round packer, set, ø 500 mm	U741–WS	1
2*	Packer, set	U710–W1	1
3	Hydropack	U741–HS	1
4	Limit screen, left/right-hand	U741 00.00.01/U741 00.00.02	1
5	Front disc, set SKF optim	U-740 11.00.00	12
6	Rear disc, set SKF optim.	U-740 10.00.00	12
7	Warning lights (OPTIONAL)	U-740 21.00.00	1
8	Packer mounting bracket	U741 01.04.00	2

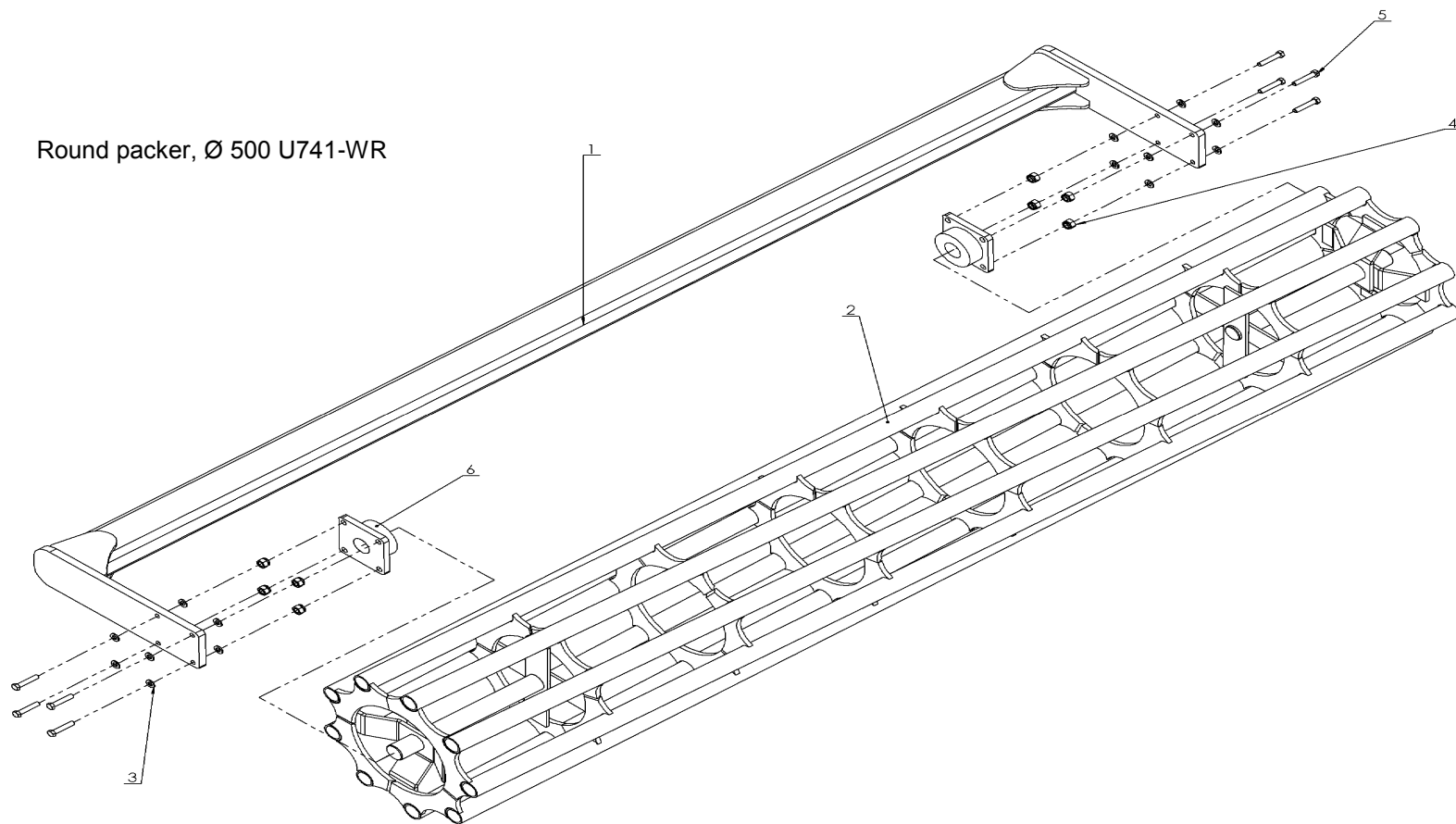
Cultivator frame



Cultivator frame			Table 2
Item no.	Name of assembly or part	U-741 mechanical adjustment Dwg no. or index no.	Quantity
1	Main frame	U741 01.01.00	1
2	Packer mounting bracket	U741 01.04.00	2
3	Packer bracket plate II (assembly)	U-710 02.05.02M	2
4	Outer disc support	U-740 01.04.00.2	2
5	Outer support bracket, left-hand disc	U740-1 01.00.02M	1
5*	Outer support bracket, right-hand disc	U740-1 01.00.01M	1
6	Pin for lower hitches	U741 01.05.00	2
7	Pin IV	U-710 01.09.00.1	1
8	Bolt, 16x180 10.9 galv. 82101	POD-ELZ-000385	8
9	Self-retaining nut, M16 galv. 82175 8	23NS16OC	8
10	Bolt, 24x80 galv. 10.9 82101	POD-ELZ-000470	2
11	Self-retaining nut, M24 galv. 8 82175	POD-ELZ-000399	2
12	Round washer, 24 galv. 82005	23P24OC	4
13	Spring cotter pin, R4	23ZRFI4	12
14	Pin	U740 00.00.05	4
15	Packer adjustment pin	U741 00.00.04	4

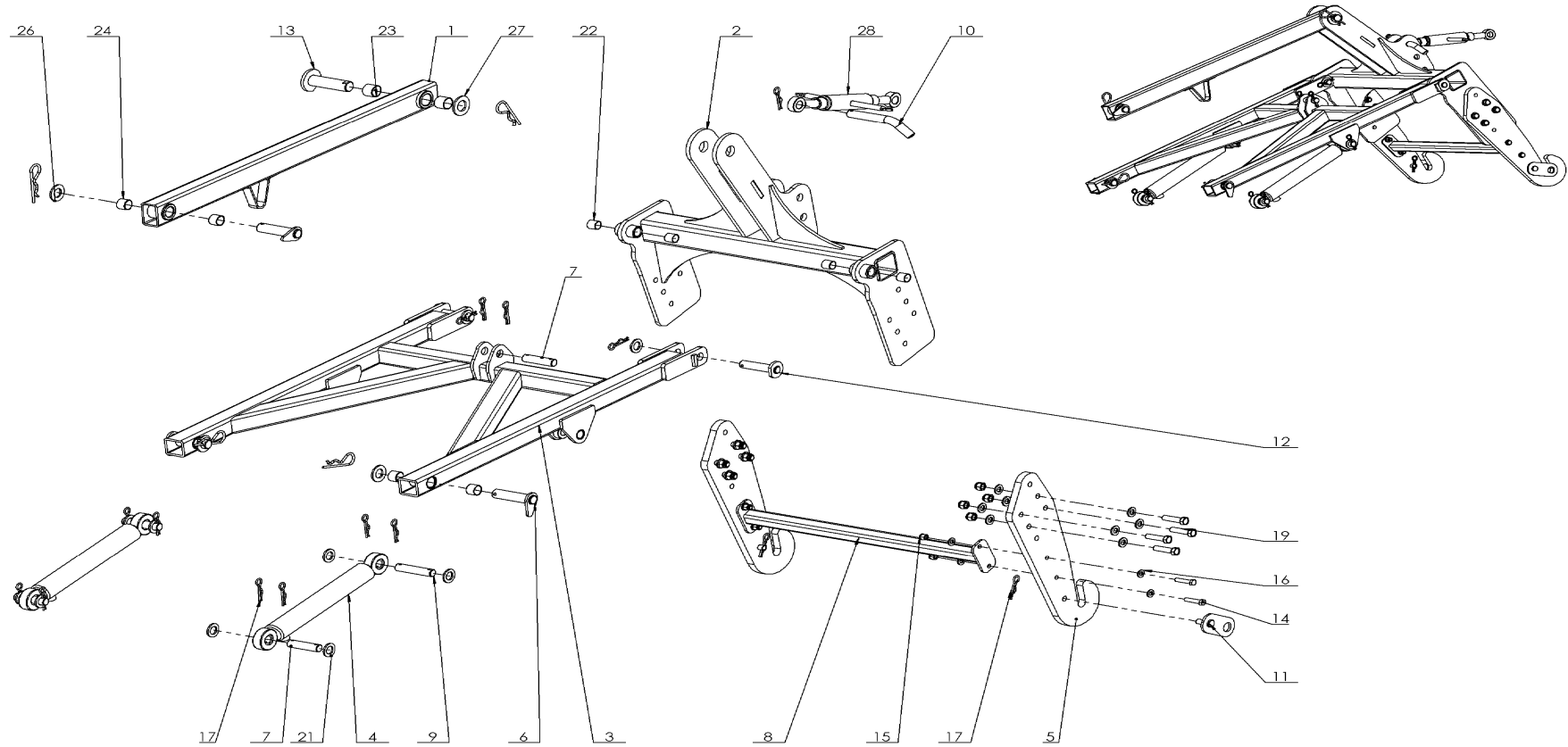
16	Bolt, 16x45 galv. 10.9 82105	POD-ELZ-000402	8
17	Round washer, 16 galv. 82005	23P16OOC	32
18	Nut, M16 black 82144 5	23N16	8
19	Bolt, 16x50 galv. 82105	23S16-50OC 8.8	4
20	Cotter pin w/ring 11	23PR11	3

Round packer, Ø 500 U741-WR



Round packer, Ø 500 U741-WR			Table 3
Item no.	Name of assembly or part	U-741 mechanical adjustment	
		Dwg no. or index no.	Quantity
1	Packer frame	U741 04.01.00	1
2	Round packer	U741 04.02.00	1
3	Washer, M12	23P12OC	16
4	Self-retaining nut, M16 galv. 82175 8	23NS16OC	8
5	Bolt, M12x60	POD-ELZ 000053-1	8
6	Bearing assembly, UCF 210	POD-LOZ-000095	2

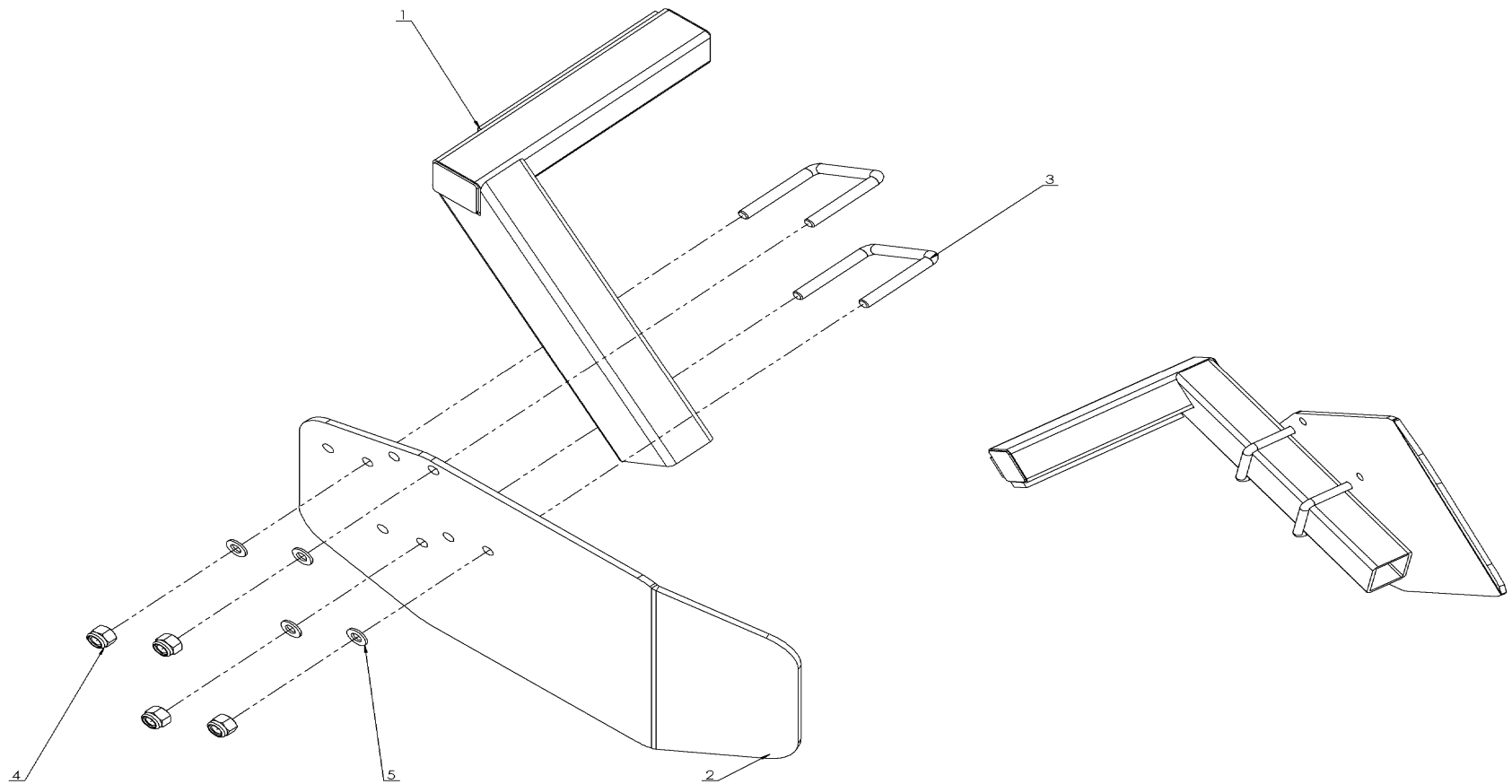
Hydropack, U741-HS



Hydropack, U741 – 3.0 m			Table 4
Item no.	Name of assembly or part	U-741 mechanical adjustment	
		Dwg no. or index no.	Quantity
1	Hydropack lift upper beam	U741 02.01.00	1
2	Seeder three-point hitch frame	U741 02.02.00	1
3	Hydropack bottom frame	U741 02.04.00	1
4	Actuator, UCJ 304-50-28/235 (RAL7021)	POD-HSL-000124	1
5	Seeder lower hitch plate	U740-1 02.00.01	2
6	Hydropack pin	U741 02.05.00	3
7	Actuator pin, 1	U741 02.00.02	3
8	Hydropack bottom link hook bracing	U741 02.03.00	2
9	Actuator pin, 2	U741 02.00.03	2
10	Fastener pin	U741 02.00.01	1
11	Seeder bottom pin safety	U740-1 02.05.00	2
12	Hydropack bottom frame pin	U740-1 02.07.00	2
13	Hydropack top beam pin 1	U740-1 02.06.00	1
14	Bolt, M12x50 82101	POD-ELZ-000429	4
15	Self-locking nut, M12	23NS12OC	4

16	Washer, M12	23P12OC	8
17	Spring cotter pin, R4	23ZRFI4	15
18	Plain washer, M16	23P160OC	16
19	Bolt, M16x60	23S16-60 10.9	8
20	Self-retaining nut, M16 galv. 82175 8	23NS16OC	8
2 galv.	Plain washer, 27 galv. 82005	23P27OC	10
22	Bush, GMS 2528 25 3	POD-LOZ-000179	4
23	Bush, GMS 3539 30 1	POD-LOZ-000190	2
24	Bush, GMS 3034 25	POD-LOZ-000197	6
25	Farming cotter pin, ø 6	23ZR6	4
26	Plain washer, 30 galv. 82005	23P30OOC	3
27	Plain washer, 36 galv. 82005	23P36OOC	1
28	Seeder connector	POD-OGL-000602	1

Limit screen, left-hand (right-hand)



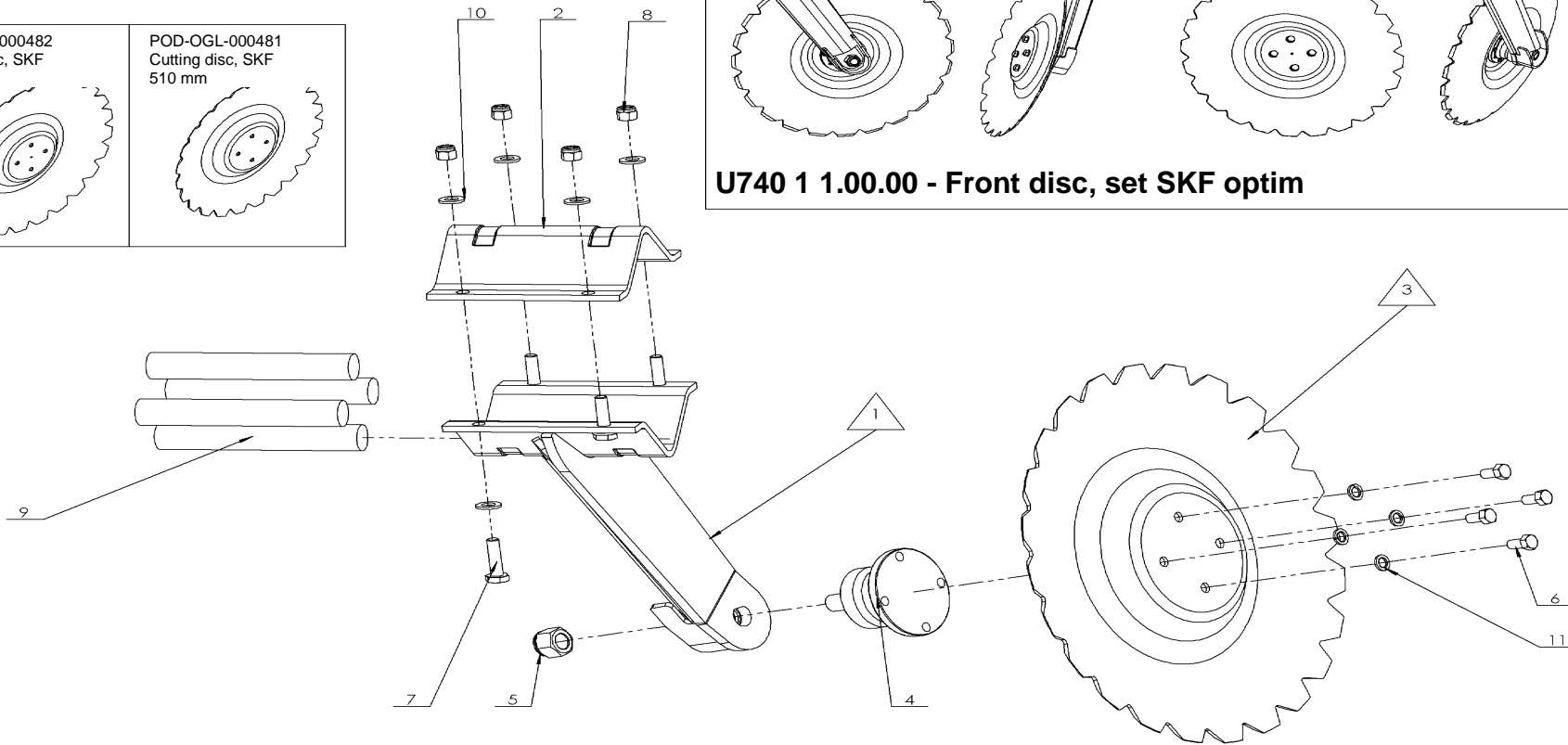
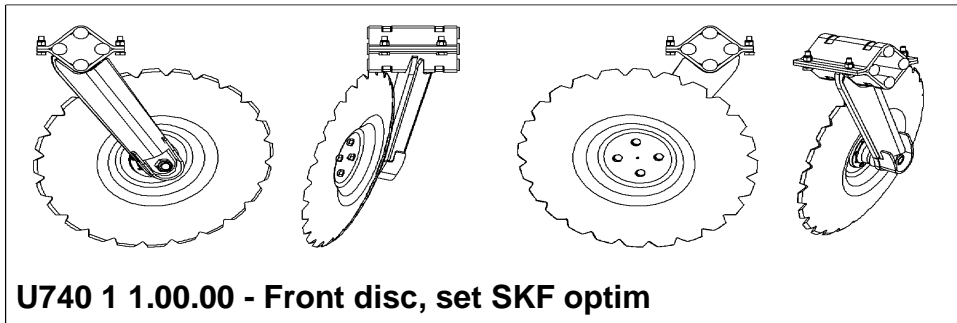
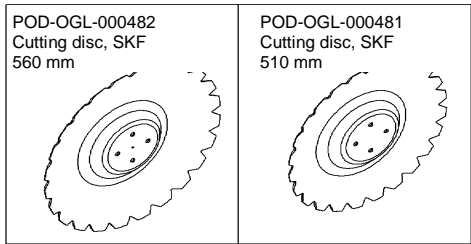
Edition no. 01
Year of issue: 2014

Spare Parts Catalogue U741 Cultivator

Left-hand screen

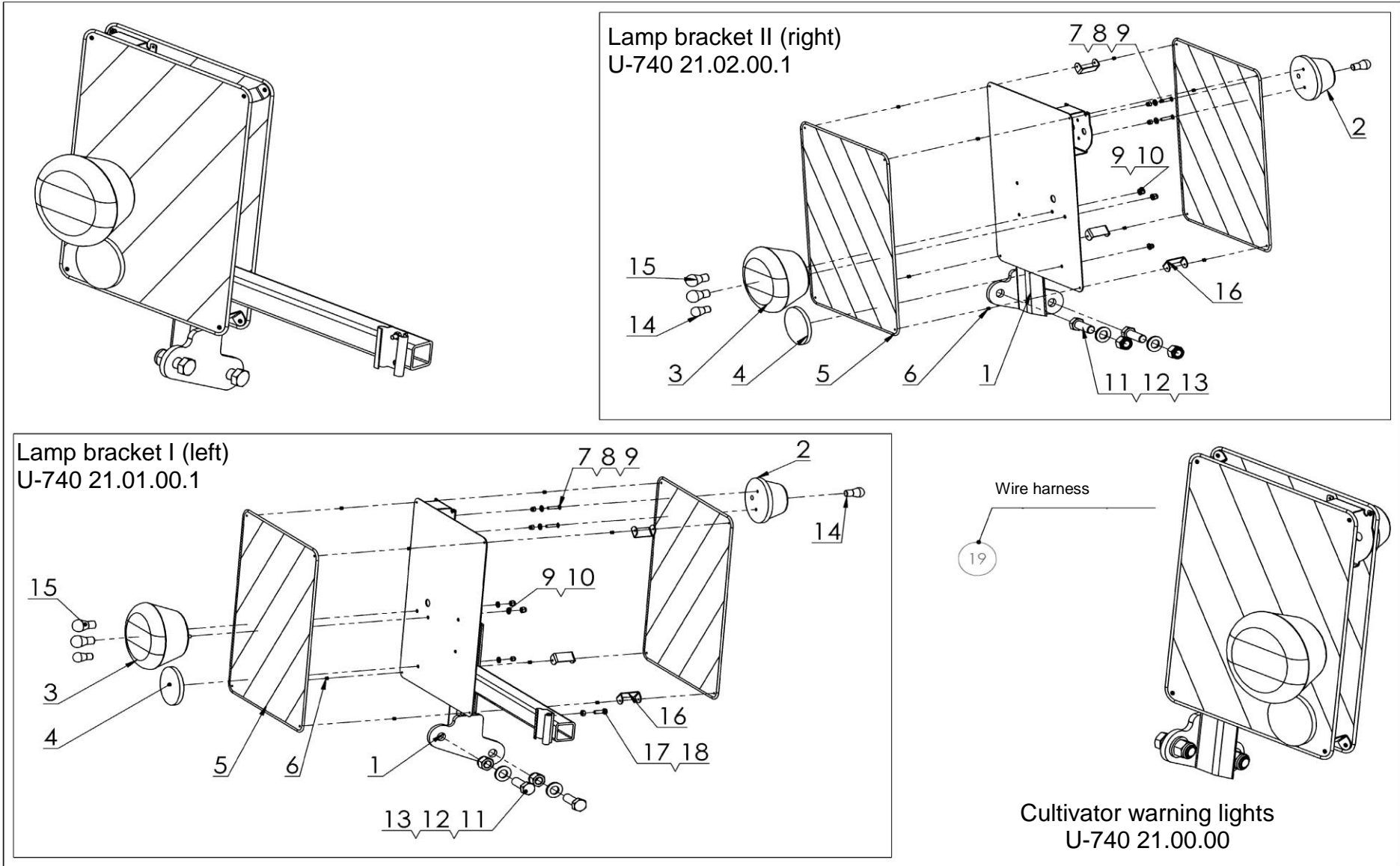
Right-hand screen

Limit screen, U741 – 3.0 m			Table 5
Item no.	Name of assembly or part	U-741 mechanical adjustment	
		Dwg no. or index no.	Quantity
1	Screen bracket, left-hand	U740 01.02.00	1
1*	Screen bracket, right-hand	U740 01.03.00	1
2	Limit screen, left-hand	U741 00.00.02	1
2*	Limit screen, right-hand	U741 00.00.01	1
3	Screen fixing	U741 00.00.03	2
4	Self-retaining nut, M10 galv. 82175 8.8	23NS10OC	4
5	Plain washer, M10 galv. 82005	23P10 82005	4



U740 10.00.00 - Rear disc, set SKF optim

Disc support, SKF optim, U741 – 3.0 m			Table 6
Item no.	Name of assembly or part	U-741 mechanical adjustment	
		Dwg no. or index no.	Quantity
1	Front disc arm	U740 11.01.00	1
1*	Rear disc arm	U740 10.01.00	1
2	200 mm disc canopy bracket, stamped (assembly)	U740-1 09..01.03m	1
3	Cutting disc, SKF 510	POD-UGL-000481	1
4	Maintenance-free hub, SKF	U-740 10.00.00	1
5	Self-retaining nut, M22x1.5 galv. 10.9	POD-ELZ-000623	1
6	Bolt, 12x1.25x20 10.9 galv. 82105	POD-ELZ-000629	4
7	Bolt, M12x50 10.9	POD-ELZ-000586	4
8	Self-locking nut, M12 10.9	POD-ELZ-000589	4
9	Cultivator rubber shock absorber 35x210, SKF	POD-TSZ-000131	4
10	Washer, M12	23P12OC	8
11	Spring washer, 12 galv. 82008	23P12SP	4



U-740 "KRUK" WARNING LIGHTS – mechanical/hydraulic adjustment

Table 7

Item no.	Name of assembly or part	U-740 mechanical/hydraulic adjustment Dwg no. or index no.	Quantity	
			Left bracket	Right bracket
1	Lamp bracket I (left)	U-740 21.01.10.1	1	1
1	Lamp bracket II (right)	U-740 21.02.10.1	1	1
2	Front position lamp, E92D	26LP	1	1
3	Lamp cluster, AVIA LTZ 239	POD-ELK-000064	1	1
4	Red round reflective light	POD-ELK-000149	1	1
5	Warning plate, red-white	POD-ELK-000155	2	2
6	Pop rivet, 3x10	23NIT3X10	8	8
7	Bolt, cone head 5x25 galv. DIN 7991	POD-ELZ-000509	2	2
8	Self-retaining nut, M5 galv. 82175 8	POD-ELZ-000471	2	2
9	Self-retaining nut, M6 galv. 82175 8	23NS6OC	2	2
10	Round washer, 6 galv. 82005	23P6OOC	4	4
11	Bolt, M10x40 82101 8.8	POD-ELZ -000045-1	2	2
12	Self-retaining nut, M10 galv. 82175 8	23NS10OC	2	2
13	Round washer, 10 galv. 82005	23P10 82005	2	2

14	Light bulb, 12V 5W	26Z12V5W	2	2
15	Light bulb, 12V21W (P21W)	26Z12V21W	2	2
16	Reinforcement assy	U-710 21.00.01	3	3
17	Bolt, M6x25	23S6/25OC 105	1	-
18	Nut, M6 galv.	23N6OC	1	-
19	Wire harness	POD-ELK-000176		1