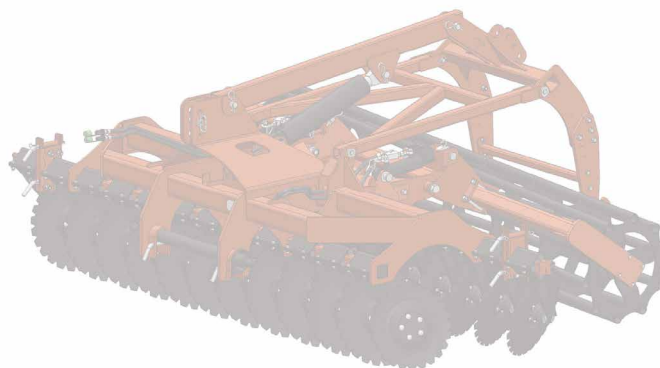




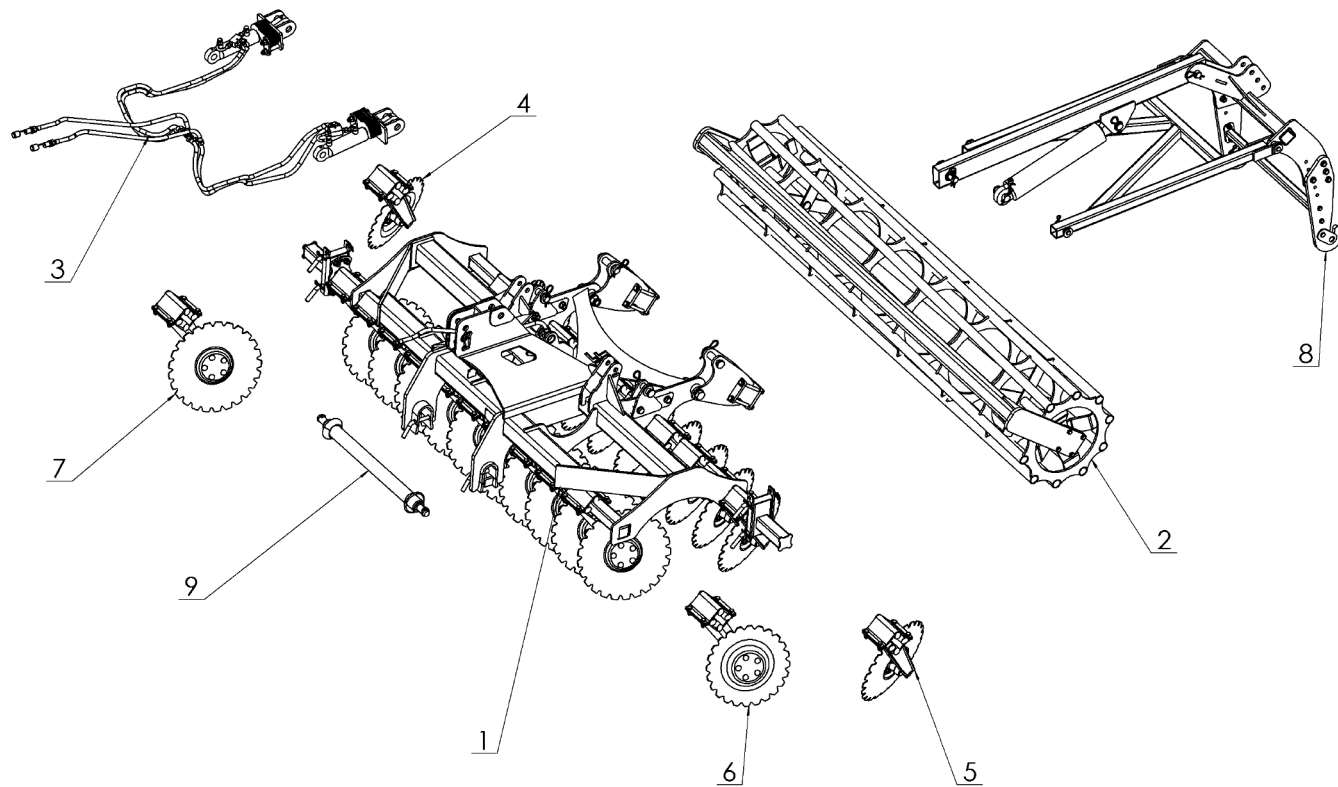


## TABLE OF CONTENTS

1.	GENERAL VIEW	4	7.	FLEX TYPE CULTIVATION ROLLER	16
2.	U740/1 CULTIVATOR FRAME	6	8.	U740/1 HYDROPACK 3.0 M	19
3.	ROUND PACKER	8	9.	BOTTLE SCREW, SET	21
4.	PACKER, SET	10	10.	HYDRAULIC SYSTEM	23
5.	U-BOX SHAFT, SET	12	11.	DISC, SET - SKF OPTIM - MAINTENANCE-FREE HUB	25
6.	V-RING CORRUGATED ROLLER	14	12.	LIGHT SIGNALLING	27

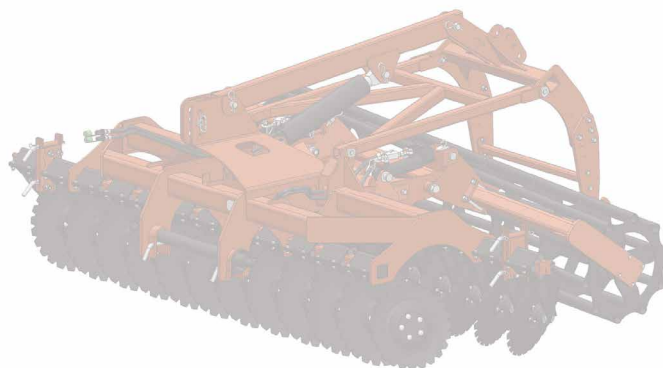


## 1. GENERAL VIEW

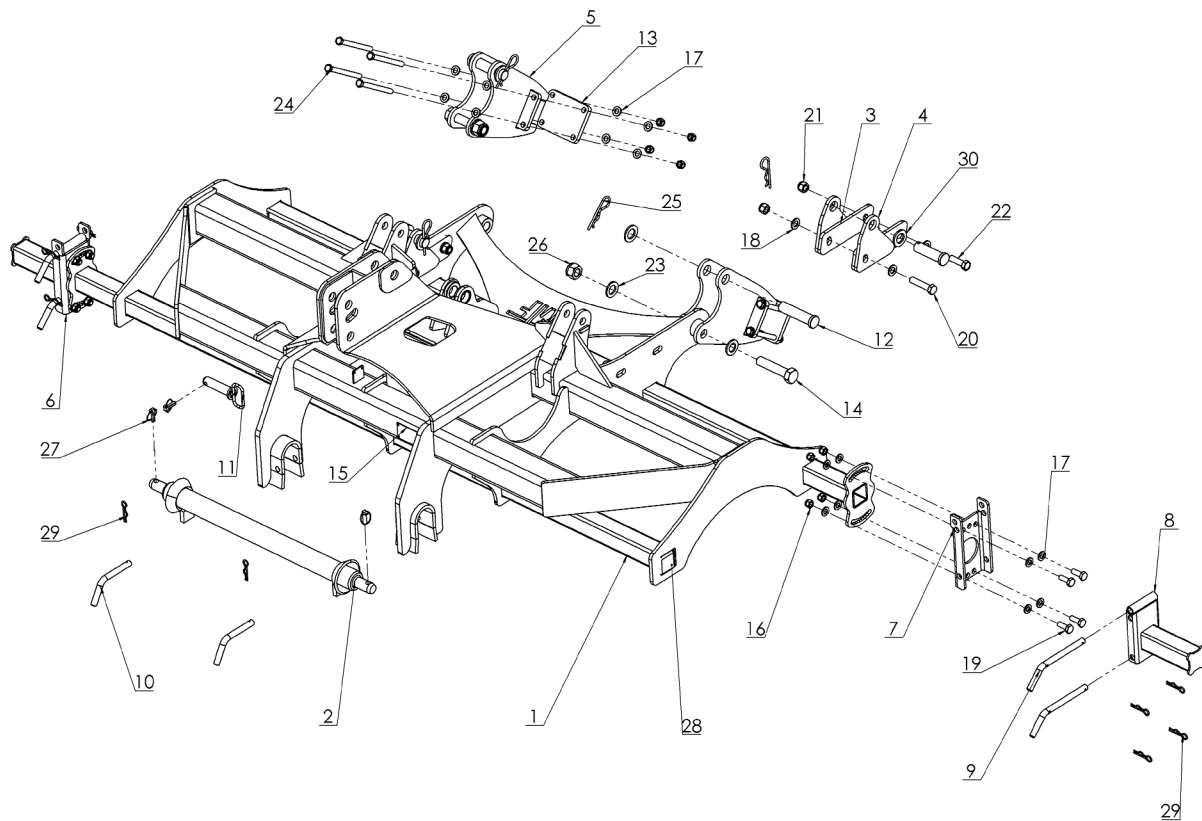


Designation on drawings	Name	Part Number	Qty (pcs)
1	Main frame	U740/1 01.01.00	1
2	Round Packer, set, fi 500 mm	U741-WS	1
2*	Packer, set	U710-W1	1
3	Hydraulic adjustment of service depth	U-740/1 03.00.00	1
4	Rear edge disc, set, fi 460 mm	U740/1 10.00.S0	1

Designation on drawings	Name	Part Number	Qty (pcs)
5	Rear disc, set, fi 510 mm	U740/1 10.00.00	11
6	Front edge disc, set, fi 460 mm	U740/1 11.00.S0	1
7	Front disc, set, fi 510 mm	U-740/1 11.00.00	11
8	Hydropack	U740/1-HS	1
9	3-point hitch	U-740 01.03.00	1



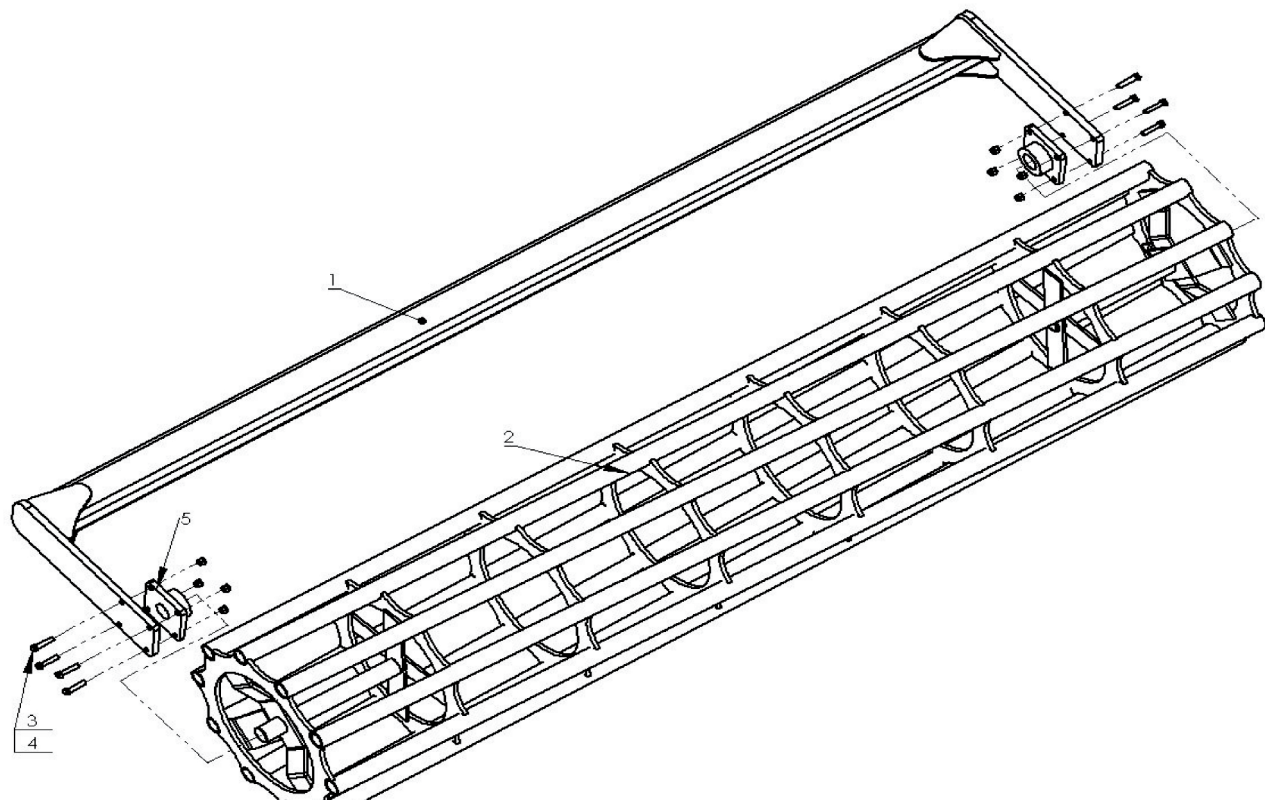
## 2. U740/1 CULTIVATOR FRAME



Designation on drawings	Name	Part Number	Qty (pcs)
1	Main frame	TU740/1 01.01.00	1
2	3-point hitch	U740/1 01.04.00	1
3	Service depth adjustment bracket - right	U740/1 01.03.00	2
4	Service depth adjustment bracket - left	U740/1 01.02.00	2
5	Roller packer bracket	U740/1 01.04.00	2
6	Edge support holder, right disc	U740/1 01.00.01	1
7	Edge support holder, left disc	U740/1 01.00.02	1
8	Edge disc support	U-740 01.04.00.2	2
9	Pin	U740 00.00.05	4
10	Pin V	U-710 01.00.13	2
11	Pin IV	U-710 01.09.00.1	1
12	Small actuator pin	U-710 02.00.04.1	2
13	Packer bracket plate II (assembly)	U-710 02.05.02M	2
14	Bolt 30x140 10.9 galv. 82101	POD-ELZ—000387	2
15	Nameplate U740/1	POD-OST-000194	1

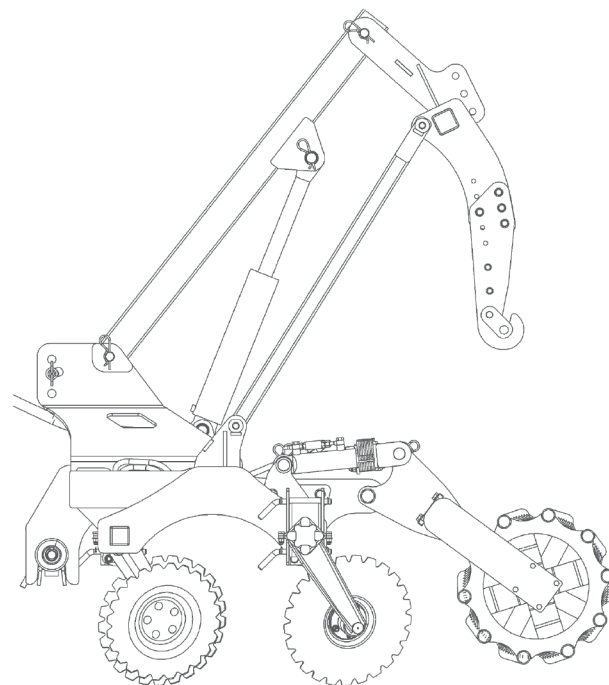
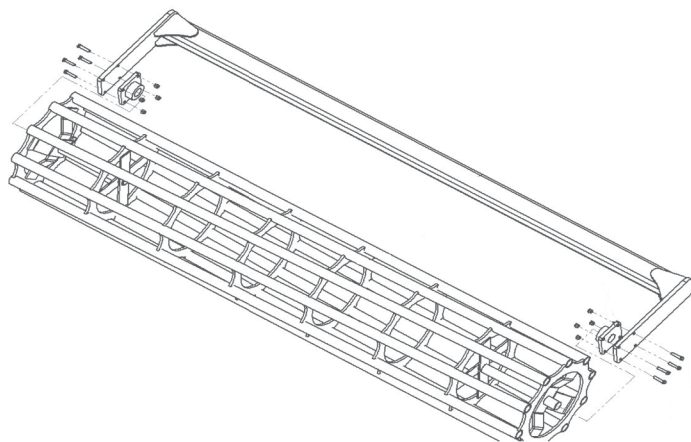
Designation on drawings	Name	Part Number	Qty (pcs)
16	Self-retaining nut, M16 galv. 82175 8	23NS16GALV	16
17	Round washer, 16 galv. 82005	23P160GALV	32
18	Round washer, 20 galv. 82005	23P200GALV	8
19	Bolt 16x45 10.9 82105	POD-ELZ-000402	8
20	Bolt, 20x90 galv. 82101	23S20-90 8.8 101	2
21	Self-retaining nut, M20 galv. 82175	23NS20 GALV. 82175	4
22	Bolt, 20x65 galv. 10.9 82101	POD-ELZ-000386	2
23	Round washer, 30 galv. 82005	23P300GALV	4
24	Bolt 16x180 10.9 82101	POD-ELZ-000385	8
25	Spring cotter pin, R6	23ZR6	4
26	Self-retaining nut, M30 galv. 82175	POD-ELZ -000042-1	2
27	Cotter pin w/ring 11	23PR11	3
28	Section stopper 70x70	POD-TSZ-000104	2
29	Spring cotter pin, R4	23ZR6	10
30	Round washer, 36 galv. 82005	23P360GALV	4

### 3. ROUND PACKER

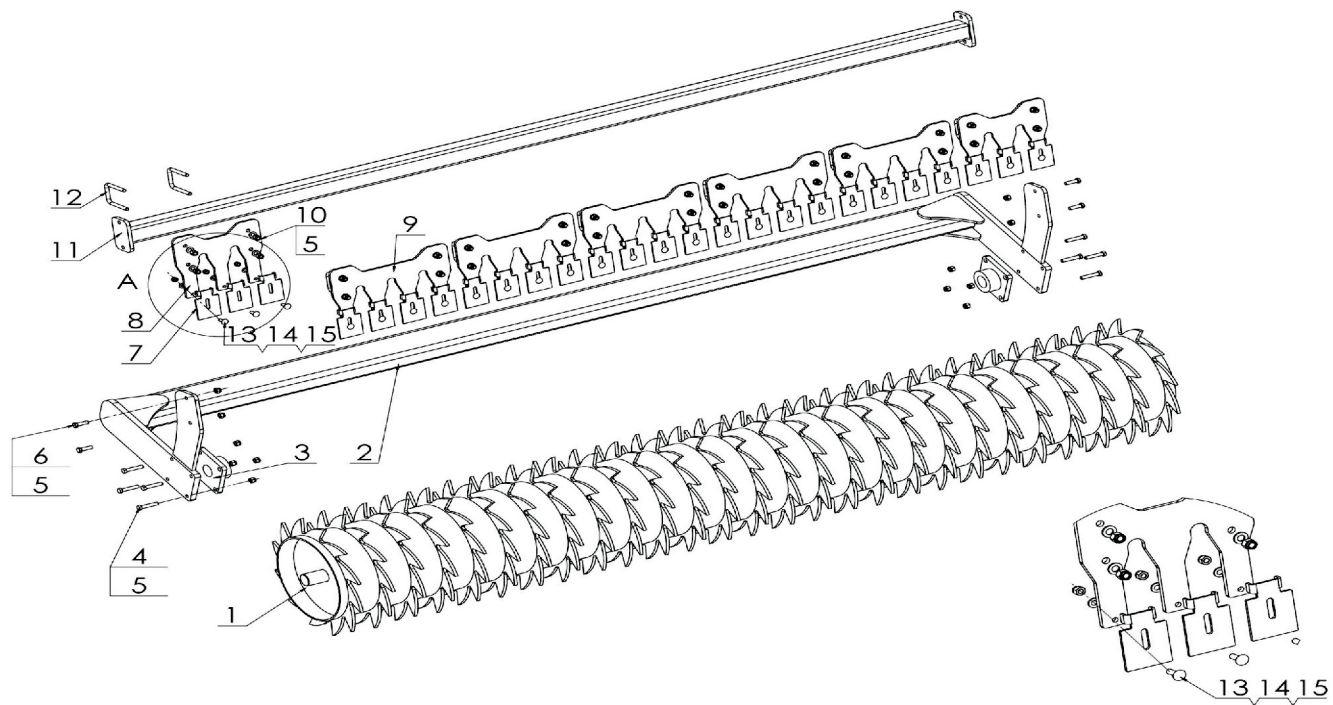




Designation on drawings	Name	Part Number	Qty (pcs)
1	Packer catch	U-710 04.01.00	1
2	Round packer	U-710 04.02.00	1
3	Bolt, 12x60 galv. 10.9 82101	POD-ELZ -000053-1	8
4	Self-retaining nut, M12 galv. 82175 8	23NS12GALV	8
5	Bearing, assy UCF210	POD-LOZ-000095	2

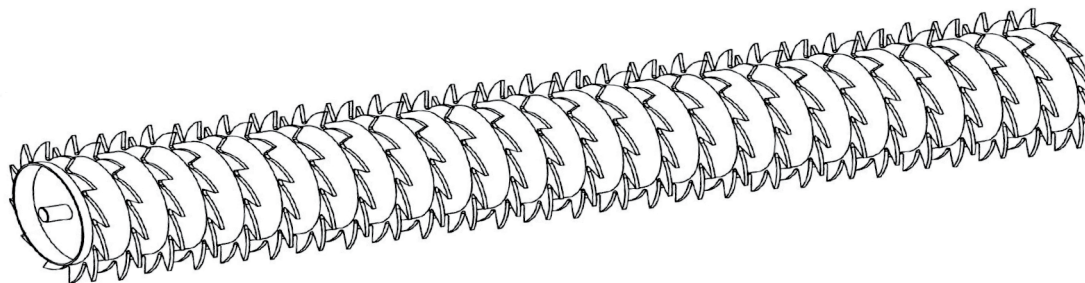


## 4. PACKER, SET

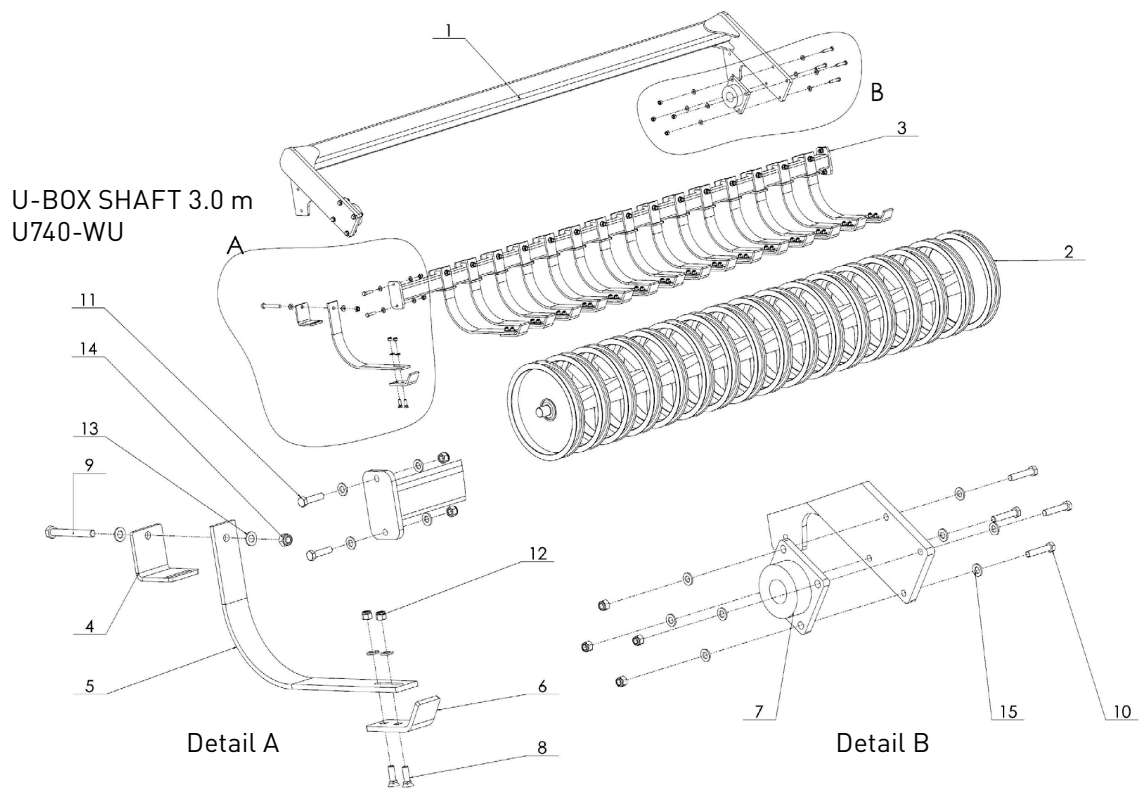


Designation on drawings	Name	Part Number mechanical/hydraulic adjustment	Qty (pcs)
1	Packer	U-710 14.02.00	1
2	Packer frame	U-710 14.01.00	1
3	Bearing, assy UCF210	POD-LOZ-000095	2
4	Bolt, 12x60 galv. 10.9 82101	POD-ELZ -000053-1	8
5	Self-retaining nut, M12, galv. 82175 8	23NS12GALV	40
6	Bolt, 12x40 galv. 8.8 82105	23S12/40GALV 8.8	4
7	Firmer plate	U-710/1 14.00.07	26
8	Firmer II	U-710/1 14.00.06	2

Designation on drawings	Name	Part Number mechanical/hydraulic adjustment	Qty (pcs)
9	Firmer I	U-710/1 14.00.05	5
10	Washer M12 galv. 82005	23P12GALV	28
11	Firmer pipe, set	U-710 14.03.00	1
12	Clamping ring	U-710/1 14.00.08	14
13	Bolt M10x30 galv. 8.8 82406	23S10/30GALV 8.8	26
14	Self-retaining nut, M10, galv. 82175	23NS10GALV	26
15	Washer M10 galv. 82005	23P10GALV	26

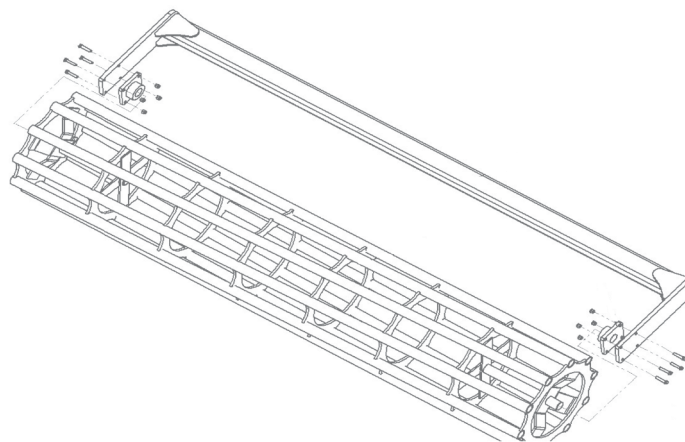


## 5. u-BOX SHAFT, SET



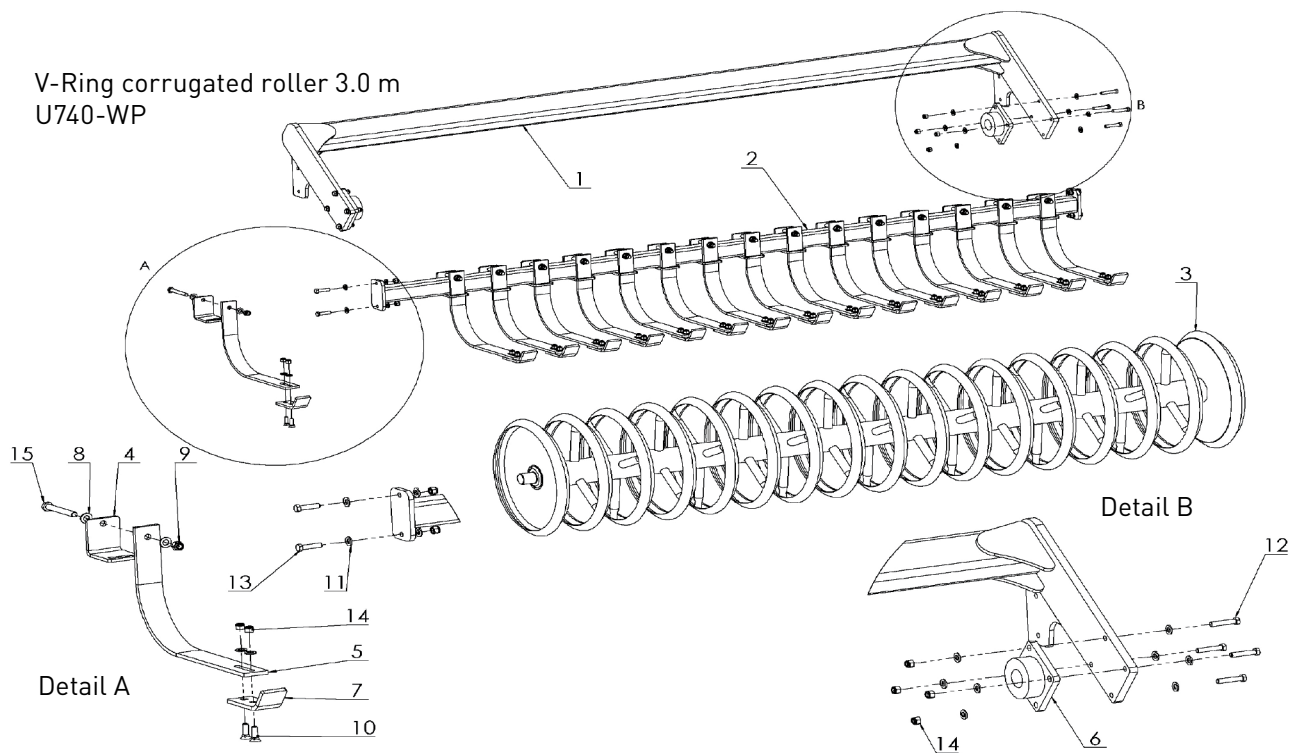
Designation on drawings	Name	Part Number mechanical/hydraulic adjustment	Qty (pcs)
1	U-box shaft frame	U-740 05.02.00	1
2	Shaft	U-740 05.01.00	1
3	Firmer pipe, set	U-710 14.03.00	1
4	Spring mounting	U-740 05.00.01	16
5	Planer arm	POD-EOS-000371	16
6	Tabo cultivator point	POD-OGL-000544	16
7	Bearing assembly, UCF 210	POD-LOZ-000095	2
8	Carriage bolt 12x40 82402 8.8 sec.	POD-ELZ-000647	32

Designation on drawings	Name	Part Number mechanical/hydraulic adjustment	Qty (pcs)
9	Bolt 14x120 GALV 82101 10.9	POD-ELZ-000635	16
10	Bolt, M12x60	POD-ELZ -00053-1	8
11	Bolt M12x50 GALV 8.8 82101	23S12-50GALV 8.8	4
12	Self-locking nut M12	23NS12GALV	44
13	Round washer, 14 galv. 82005	23P14GALV	32
14	Self-locking nut M14 GALV 82758	23NS14GALV	16
15	Washer, M12	23P12GALV	56



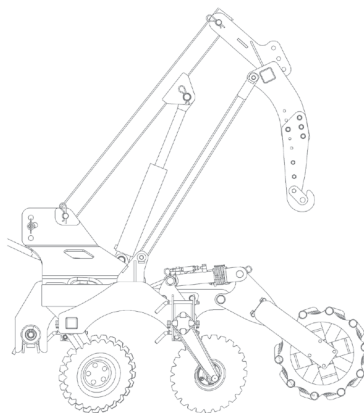
## 6. V-RING CORRUGATED ROLLER

V-Ring corrugated roller 3.0 m  
U740-WP



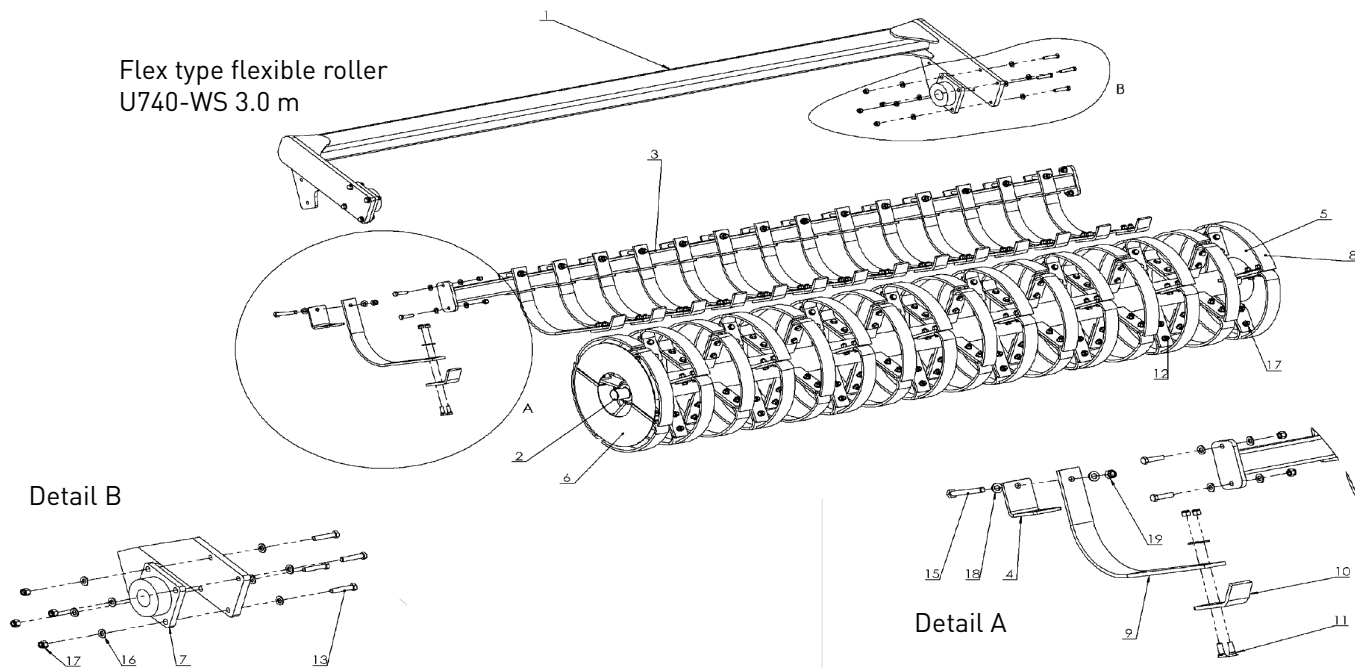
Designation on drawings	Name	Part Number mechanical/hydraulic adjustment	Qty (pcs)
1	Frame	U-740 05.02.00	1
2	Firmer pipe, set	U-710 14.03.00	1
3	Shaft	U-740 15.01.00	1
4	Spring mounting	U-740 05.00.01	16
5	Planer arm	POD-EOS-000371	16
6	Bearing assembly, UCF 210	POD-LOZ000095	2
7	Tabo cultivator point	POD-UGL-000544	16
8	Round washer, 14 galv. 82005	23P14GALV	32

Designation on drawings	Name	Part Number mechanical/hydraulic adjustment	Qty (pcs)
9	Self-retaining nut, M14 galv. 82175 8	23NS14GALV	16
10	Carriage bolt 12x40 82402 9.8 sec.	POD-ELZ-000647	32
11	Washer, M12	23P12GALV	56
12	Bolt, M12x60	POD-ELZ -000053-1	8
13	Bolt, M12x50	23S12/50 8.8	4
14	Self-locking nut M12	23NS12GALV	44
15	Bolt 14x120, galv. 82101 10.9	POD-ELZ-000635	16



## 7. FLEX type CULTIVATION ROLLER

Flex type flexible roller  
U740-WS 3.0 m



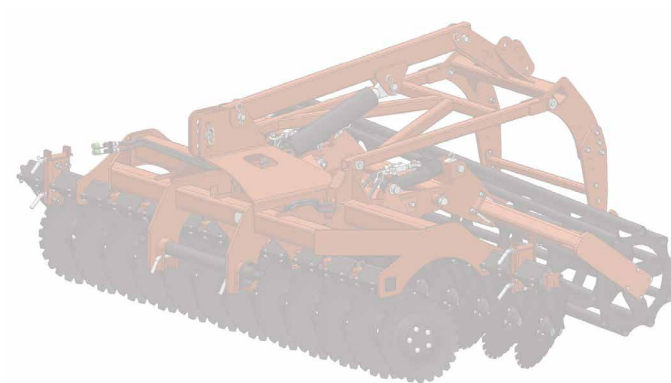




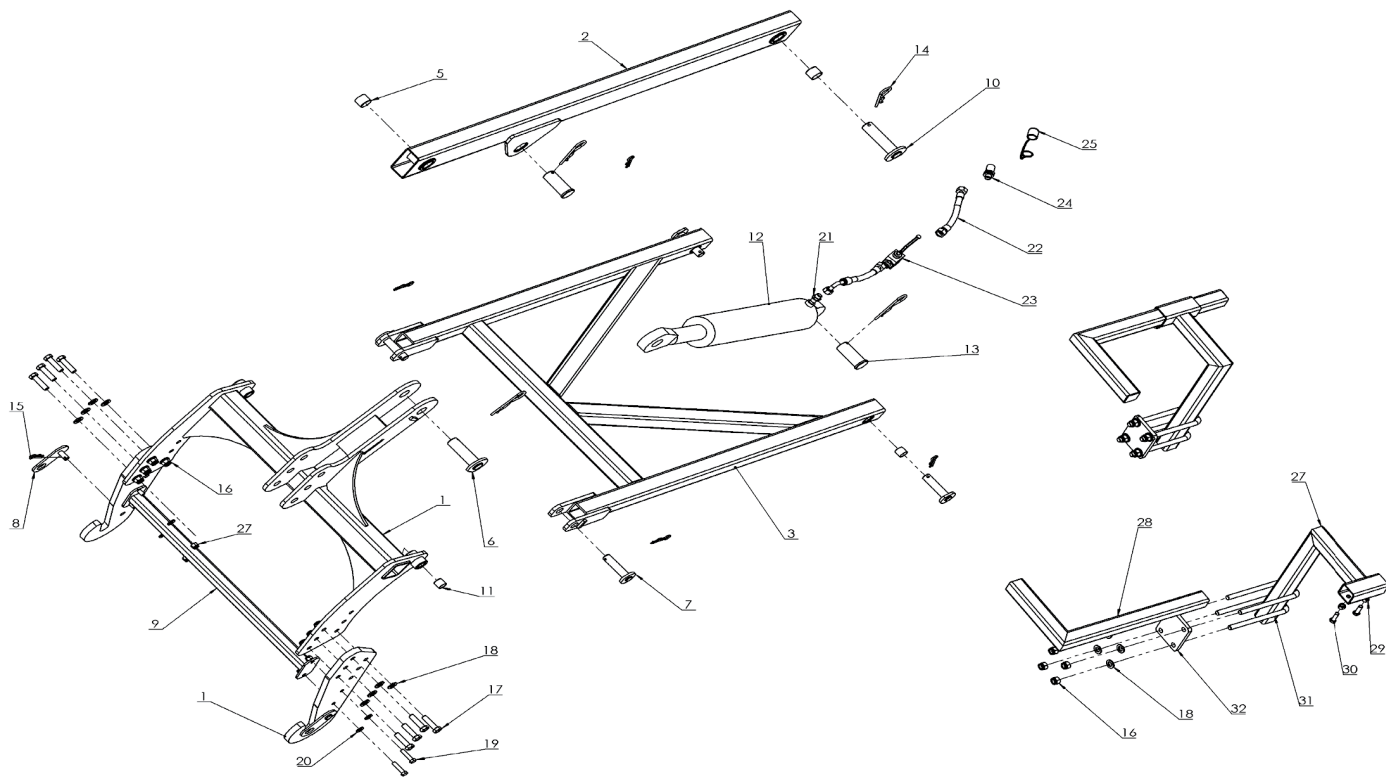
## FLEX type CULTIVATION ROLLER

Designation on drawings	Name	Part Number mechanical/hydraulic adjustment	Qty (pcs)
1	Frame	U-740 05.02.00	1
2	Shaft	U-740 04.01.00	1
3	Firmer pipe, set	U-710 14.03.00	1
4	Spring mounting	U-740 05.00.01	15
5	Guard 1	U-740 04.00.02	2
6	Guard 2	U-740 04.00.02	2
7	Bearing assembly, UCF 210	POD-LOZ-000095	2
8	FLEX roller hoop	POD-EOS-000372	56
9	Planer arm	POD-EOS-000371	15
10	Tabo cultivator point	POD-0GL-000544	15

Designation on drawings	Name	Part Number mechanical/hydraulic adjustment	Qty (pcs)
11	Carriage bolt 12x40 82402 8.8 sec.	POD-ELZ-000647	30
12	Bolt 12x45 GALV 82101	23S12/45 8.8 GALV	120
13	Bolt, M12x60	POD-ELZ -000053-1	8
14	Bolt 12x50 GALV 8.8 82101	23S12/50GALV	12
15	Bolt 14x120, galv. 82101 10.9	POD-ELZ-000635	15
16	Washer, M12	23P120GALV	340
17	Nut M12x1.5-8.8	23NS12GALV	185
18	Round washer, 14 galv. 82005	23P14GALV	16
19	Self-retaining nut, M14 galv. 82175 8	23NS14GALV	16



## 8. U740/1 HYDROPACK 3.0 m

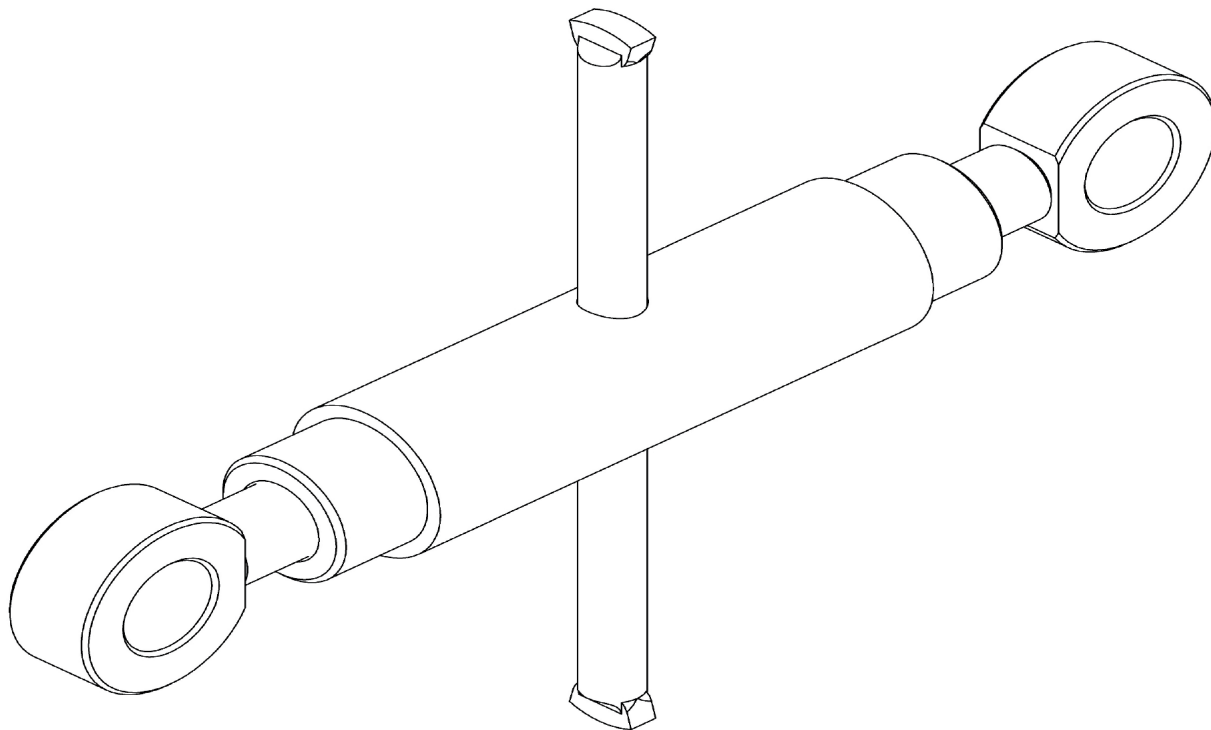


## U740/1 HYDROPACK 3.0 m

Designation on drawings	Name	Part Number mechanical adjustment	Qty (pcs)
1	Seeder 3-point hitch frame	U740/1 02.02.00	1
2	Upper beam for hydropack raising	U740/1 02.01.00	1
3	Lower hydropack frame	U740/1 02.04.00	1
4	Seeder lower suspension sheet metal part	U740/1 02.00.01	2
5	Bushing GSM 3529 30 1	POD-LOZ-000190	4
6	Hydropack top beam pin 1	U740/1 02.06.00	1
7	Hydropack bottom frame pin	U740/1 02.07.00	4
8	Seeder bottom pin safety	U740/1 02.05.00	2
9	Lower link hydropack hook stiffener	U740/1 02.03.00	1
10	Hydropack top beam pin 2	U740/1 02.08.00	1
11	Bush, GMS 2528 25 3	POD-LOZ-000179	8
12	Actuator U740/1 UCN07-80/400	POD-HSL-000098	1
13	Lift actuator pin	U740-1 02.00.00	2
14	Farming cotter pin, ø 6	23ZR6	4
15	Farming cotter pin f4	23ZRf4	6

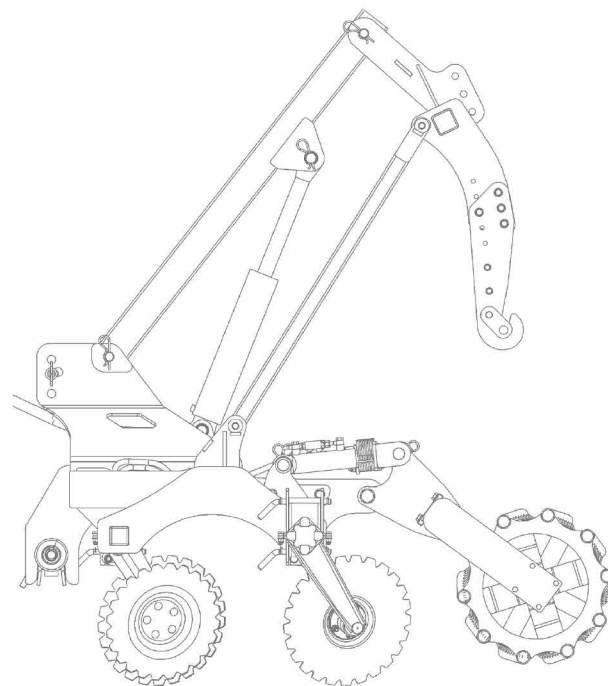
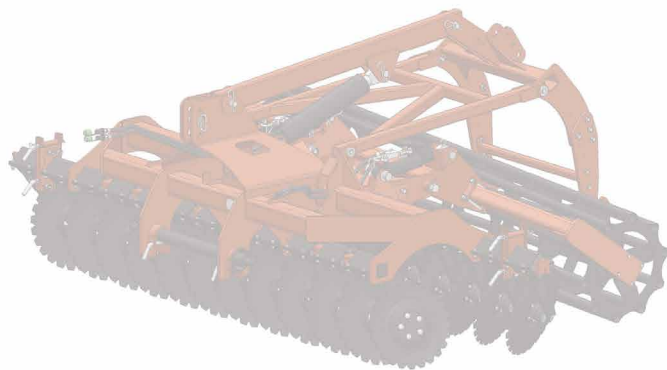
Designation on drawings	Name	Part Number mechanical adjustment	Qty (pcs)
16	Self-locking nut, M16	23NS16GALV	8
17	Bolt, M16x60	23S16-60 10.9	8
18	Plain washer, M16	23P160GALV	16
19	Bolt, M12x50	POD-ELZ-000429	4
20	Washer, M12	23P12GALV	8
21	Straight connector G1/2" x18x1.5	POD-HKR-000078	1
22	Hydraulic set no. 24-3	POD-HPR-000438	1
23	Ball valve RS2 15L	POD-HZW-000016-1	1
24	Euro 12 valve-plug M18x1.5	24ZWE13-M18x1.5	1
25	Euro 13 valve-plug cap	24ZWNE13	1
26	Self-locking nut M12	23NS12GALV	4
27	Seeder bracket, lower	U740/1 04.01.00	2
28	Seeder bracket, upper	U740/1 04.02.00	2
29	Nut, M12cz 82144 5	23N12	4
30	Bolt M12x40 galv. 10.9 82105	POD-ELZ-000421	4
31	Mounting plate	U740/1 04.00.01	2
32	Seeder bracket clamp	U740/1 04.00.02	4

## 9. BOTTLE SCREW, SET

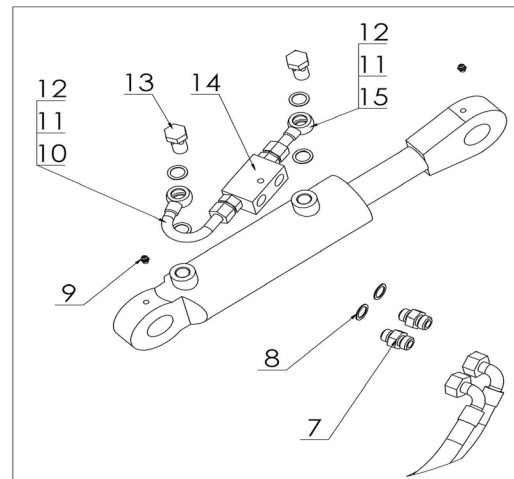
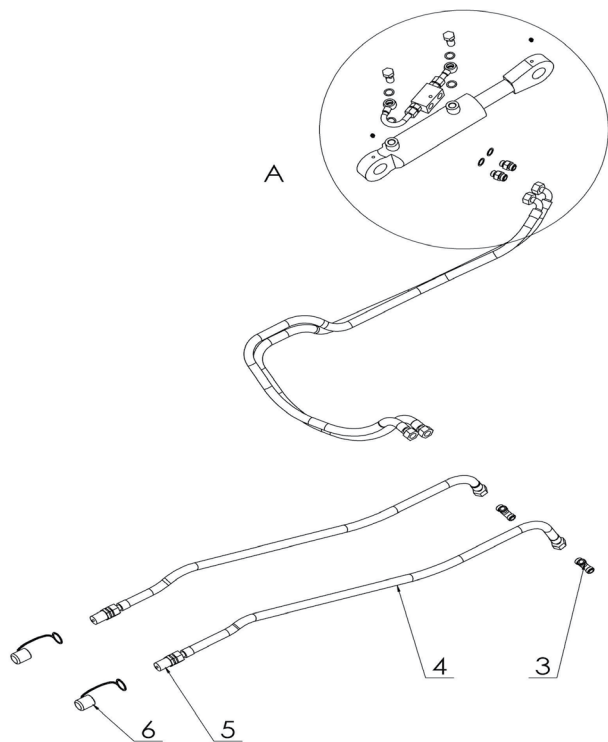


## BOTTLE SCREW, SET

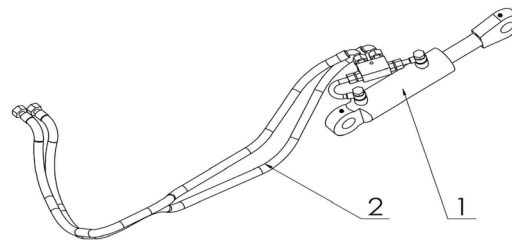
Designation on drawings	Name	Part Number mechanical adjustment	Qty (pcs)
1	Bottle screw, set	U-740 03.00.00	2



# 10. HYDRAULIC SYSTEM



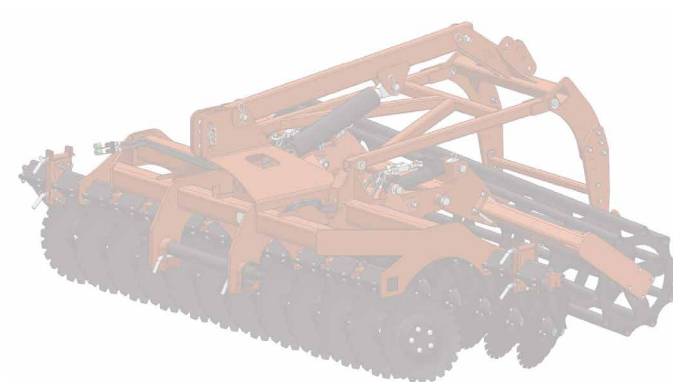
HYDRAULIC SYSTEM



## HYDRAULIC SYSTEM

Designation on drawings	Name	Part Number hydraulic adjustment	Qty (pcs)
1	Actuator CJ2F-63/36/100+KT2	POD-HSL-000042	2
2	Hydraulic line I	AA/244/10 L-1300	4
3	Tee-connector, 18x18x18	24KT18/18/18	2
4	Hydraulic line II	A90A/244/10 L-700	2
5	Euro 13 valve-plug, M18x1,5	24ZWE13-M18x1.5	2
6	EURO 13 plug valve adapter	24ZWNE13	2
7	Straight coupling, 3/8x18-1.5 12LR	24KP3/8 18	4
8	O-ring, PPM 16 24x16	24UPPM16	12

Designation on drawings	Name	Part Number hydraulic adjustment	Qty (pcs)
9	Straight grease nipple, M6x1.0	23SM	4
10	Eye terminal M16 – curved	POD-HPR-000272	2
11	Cutting ring 16-10 fi 12	24PZ	4
12	Hydraulic nut 16-10 (M18x1.5)	24NH	4
13	Eye bolt M16x1.5	24SO16/1,5	4
14	Twin control return valve VBPDE-3/8" L2CEXC	POD-HZW-000038	2
15	Eye terminal M16 – straight	POD-HPR-000241	2



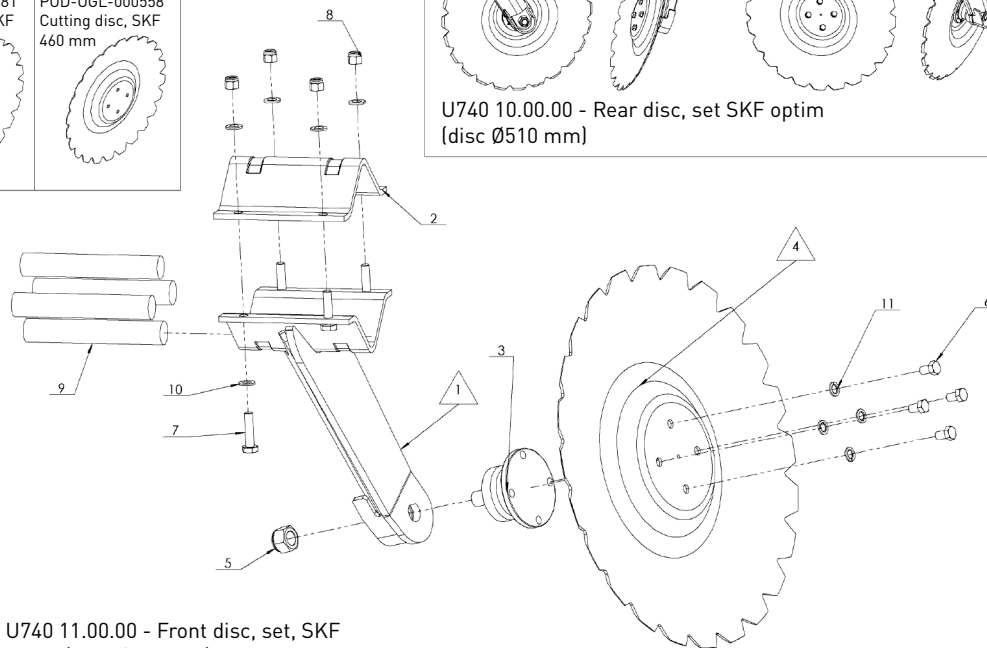


## 11. DISC, SET - SKF OPTIM – MAINTENANCE-FREE HUB

POD-OGL-000481  
Cutting disc, SKF  
510 mm



POD-OGL-000558  
Cutting disc, SKF  
460 mm



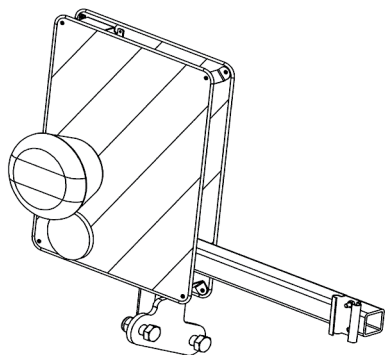
U740 11.00.00 - Front disc, set, SKF  
optim (disc Ø510 mm)

U740 10.00.00 - Rear disc, set SKF optim  
(disc Ø510 mm)

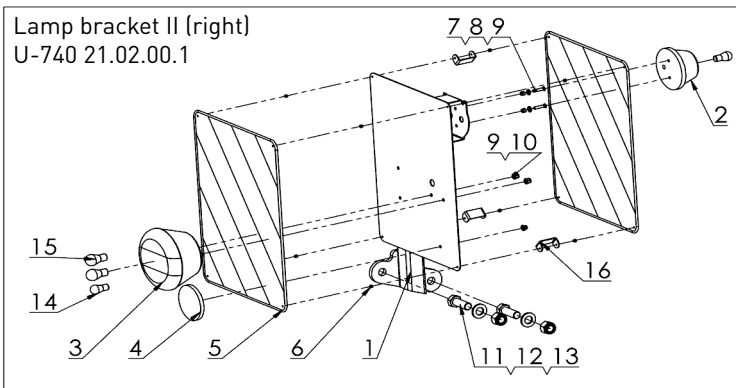
## DISC, SET - SKF OPTIM – MAINTENANCE-FREE HUB

Designation on drawings	Name	Part Number	U740 10.00.00 Rear disc, set SKF optim	U740 11.00.00 Front disc SKF optim, set	U740 12.00.00 Rear disc, set SKF optim EDGE DISC	U740 13.00.00 Front disc SKF optim, set EDGE DISC
1*	Front disc arm, SKF optim	U740 09.01.00	-	1	-	1
1*	Rear disc arm, SKF optim	U740 08.01.00	1	-	1	-
2	200 mm disc canopy bracket, stamped (assembly)	U740-1 09.01.03M	1	1	1	1
3	Maintenance-free hub, SKF	POD-LOZ-000174	1	1	1	1
4*	Cutting disc, SKF, fi 510 mm	POD-UGL-000481	1	1	-	-
4*	Cutting disc, SKF, fi 460 mm	POD-UGL-000558	-	-	1	1
5	Self-retaining nut, M22x1.5 galv. 10.9	POD-ELZ-000623	1	1	1	1
6	Bolt, 12x1.25x20 10.9 galv. 82105	POD-ELZ-000629	4	4	4	4
7	Bolt M12x50 10.9	POD-ELZ-000586	4	4	4	4
8	Self-retaining nut, M12 10.9	POD-ELZ-000589	4	4	4	4
9	Cultivator rubber shock absorber 35x210 SKF	POD-TSZ-000131	4	4	4	4
10	Round washer, fi 12, galv.	23P12GALV	8	8	8	8
11	Spring washer, 12 galv. 82008	23P12SP	4	4	4	4

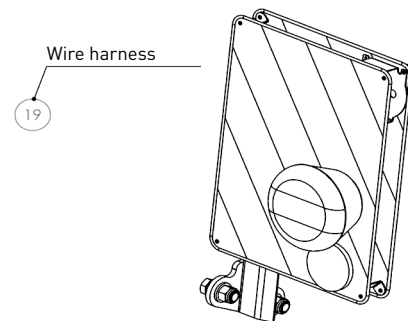
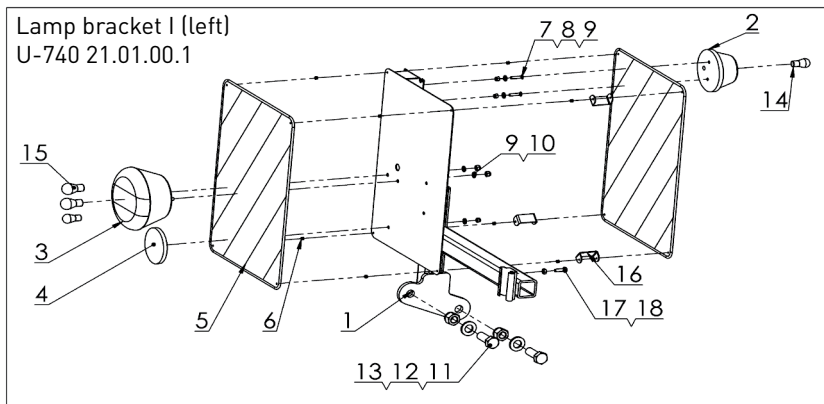
## 12. LIGHT SIGNALLING



Lamp bracket II (right)  
U-740 21.02.00.1



Lamp bracket I (left)  
U-740 21.01.00.1



Cultivator warning lights  
U-740 21.00.00

## LIGHT SIGNALLING

Designation on drawings	Name	Part no. Mechanical/hydraulic adjustment	Qty (pcs)	
			left bracket	right bracket
1	Lamp bracket I (left)	U-740 21.01.10.1	1	1
1	Lamp bracket II (right)	U-740 21.02.10.1	1	1
2	Front parking lamp E92D	26LP	1	1
3	Lamp cluster AVIA LTZ 239	POD-ELK-000064	1	1
4	Red round reflective light	POD-ELK-000149	1	1
5	Warning plate, red-white	POD-ELK-000155	2	2
6	Pop rivet, 3x10	23NIT3X10	8	8
7	Cone head bolt 5x25 galv. DIN 7991	POD-ELZ-000509	2	2
8	Self-retaining nut, M5, galv. 82175 8	POD-ELZ-000471	2	2
9	Self-retaining nut, M6, galv. 82175 8	23NS6GALV	2	2

Designation on drawings	Name	Part no. Mechanical/hydraulic adjustment	Qty (pcs)	
			left bracket	right bracket
10	Round washer, 6 galv. 82005	23P6OGALV	4	4
11	Bolt, M10x40 galv. 82101 8.8	POD-ELZ-000045-1	2	2
12	Self-retaining nut, M10 galv. 82175 8	23NS10GALV	2	2
13	Round washer, 10 galv. 82005	23P10 82005	2	2
14	Light bulb, 12 V 5 W	26Z12V5W	2	2
15	Light bulb, 12 V 21 W (P21W)	26Z12V21W	2	2
16	Strengthening element	U-710 21.00.01	3	3
17	Bolt, M6x25	23S6/25 GALV 105	1	-
18	Nut, M6 galv.	23N6GALV	1	-
19	Wire harness	POD-ELK-000176	1	





SALES **METAL-FACH®**

---

16-100 Sokółka, ul. Kresowa 62  
phone: +48 85 711 07 88, fax: +48 85 711 07 89  
handel@metalfach.com.pl

SERVICE **METAL-FACH®**

---

16-100 Sokółka, ul. Kresowa 62  
phone: +48 85 711 07 80, fax: +48 85 711 07 93,  
serwis@metalfach.com.pl

SPARE PARTS & SHOP **METAL-FACH®**

---

16-100 Sokółka, ul. Kresowa 62  
phone: +48 85 711 07 81, fax: +48 85 711 07 93,  
sklep.mf@metalfach.com.pl

**METAL-FACH®**

---

METAL-FACH Sp. z o.o. KRESOWA 62; 16-100 SOKÓŁKA