



METAL-FACH



**U710, U710/1 & U710/2
CULTIVATOR
PARTS CATALOGUE
REVISION IX MAY 2020**

TABLE OF CONTENTS

1. CULTIVATOR ASSY. SEMI-SUSPENDED VERSION	4
2. CULTIVATOR ASSY. SUSPENDED	6
3. THREE-POINT HITCH.....	8
4. HITCH BAR, CAT. 3 40HM	11
5. BOOM, LH	13
6. BOOM, RH	16
7. SPRING TINE MOUNT ASSEMBLY	19
8. OPTIM REAR DISC ASSY.....	21
9. OPTIM FRONT DISC ASSY.	23
10. CONNECTING LINK ASSY.....	25
11. OUTER DISC SIDE PLATES	27
12. SIDE PLATES	29
13. HITCH ASSY.....	31
14. DRAWBAR POSITIONER	34
15. MAIN BEAM, CAT. 3/3N.....	36
16. CLEVIS MAIN BEAM	38
17. CHASSIS FRAME	40
18. WHEEL AXLE ASSY.....	43
19. PARKING BRAKE	45
20. SMOOTHING HARROW	47
21. PIPE PACKER	51
22. STRING ROLLER	53
23. TYPE DD HEAVY ROLLER	55
24. WHEEL & TYRE PACKER.....	57

25.	PACKER ROLLER	59
26.	U-BOX PACKER	61
27.	DOUBLE U-BOX PACKER.....	63
28.	V-RING PACKER.....	65
29.	FLEX SPRING PACKER.....	67
30.	RUBBER RING ROLLER.....	70
31.	SUSPENDED SEEDER PLATFORM	73
32.	SEEDER PLATFORM, DRAWBAR MOUNTED	76
33.	LIGHT ASSEMBLY, SUSPENDED	79
34.	TRUCK-MOUNTED LIGHTS.....	82
35.	TRUCK HYDRAULIC SYSTEM.....	85
36.	TRUCK ACTUATOR CYLINDER, W/TWIN CHECK CONTROL VALVE VBPDE-1/2" L2 CC.....	87
37.	PACKER/ROLLER HYDRAULIC SYSTEM	89
38.	SIDE BOOM HYDRAULIC FOLDING SYSTEM	91
39.	ANTI-SHOCK SYSTEM	93
40.	PNEUMATIC BRAKE SYSTEM.....	96
41.	DOUBLE LINE HYDRAULIC BRAKE SYSTEM.....	98
42.	SINGLE LINE HYDRAULIC BRAKE SYSTEM	101
43.	HYDRAULIC LINE KITS.....	103
	NOTES	107

1. CULTIVATOR ASSY. SEMI-SUSPENDED VERSION

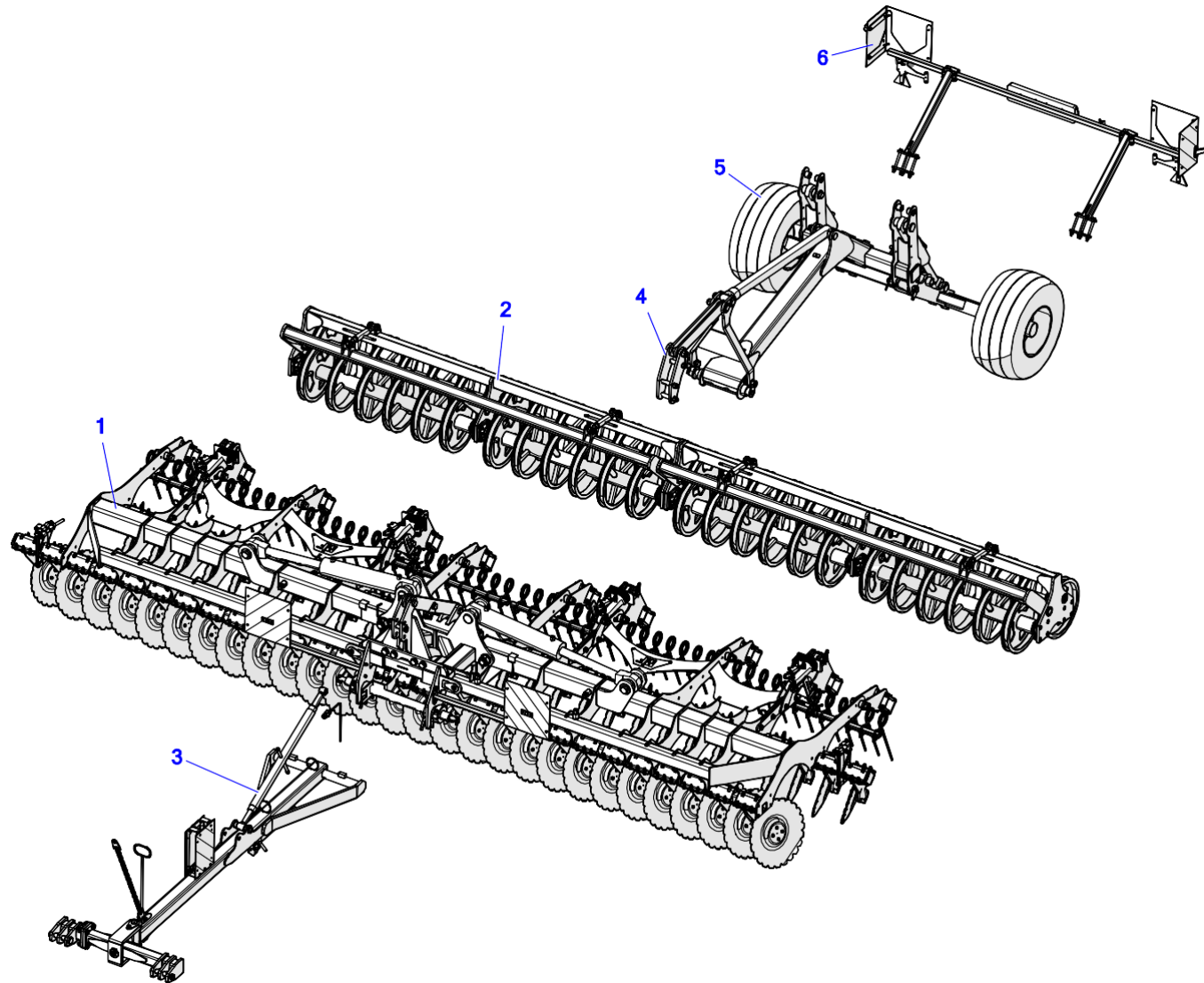


Table 1. Cultivator assy. suspended version

No.	U710 index	Name	U710 qty.
1	U710-GTS	6 m wide "KRUK" cultivator, OPTIM STRENX #6 mm dia., narrow spoke	1
2	U740-WUP	3 m wide U-box packer, double	2
3	U-710 05.00.00	Hitch assy.	1
4	U-710 06.00.00	Chassis frame assy.	1
5	U-710 07.00.00	Cultivator truck assy.	1
6	U710-SW	Cultivator lights, truck-mounted	2

2. CULTIVATOR ASSY. SUSPENDED

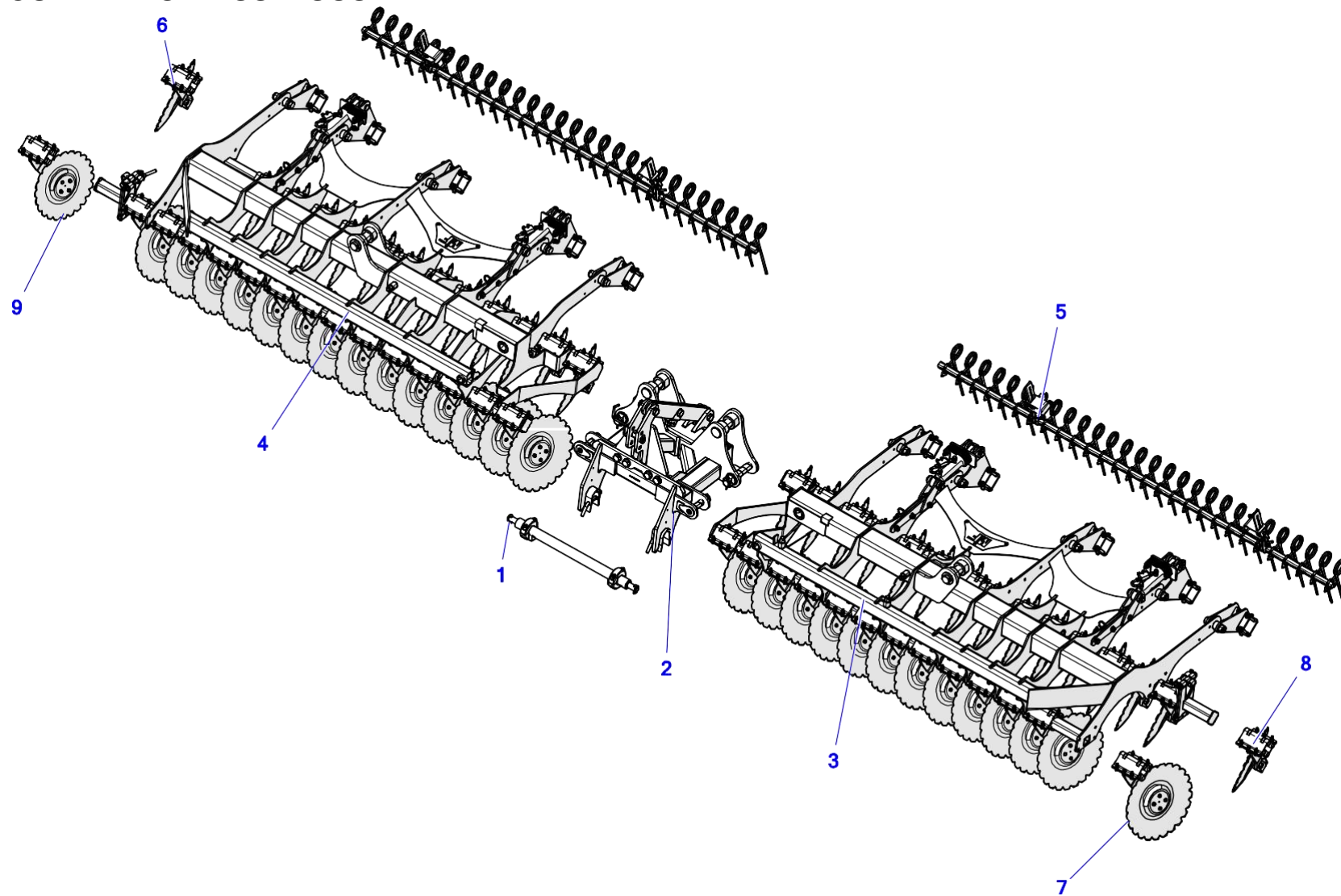


Table 2. Cultivator assy., suspended

No.	U710 index	U710 qty.	U710/1 index	U710/1 qty.	U710/2 index	U710/2 qty.	Name
1	U-710 31.00.00	1	U-710 31.00.00	1	U-710 31.00.00	1	Hitch bar, cat. 3 40HM
2	U-710 01.02.00	1	U-710 01.02.00	1	U-710 01.02.00	1	TPH frame
3	U-710 02.00.00	1	U-710/1 02.00.00	1	U-710/2 02.00.00	1	Boom, LH assy. (with brackets)
4	U-710 03.00.00	1	U-710/1 03.00.00	1	U-710/2 03.00.00	1	Boom, RH assy. (with brackets)
5	U740-0Z	2	U710/1-0Z	2	U-710/2 04.00.00	2	Scraper bar
6	U740 14.00.00	17	U740 14.00.00	23	U740 14.00.00	27	Rear disc assy., Optim (SKF or NKE) STRENX
7	U740 15.00.00	17	U740 15.00.00	23	U740 15.00.00	27	Front disc assy., Optim (SKF or NKE) STRENX
8	U740 16.00.00	1	U740 16.00.00	1	U740 16.00.00	1	Rear disc assy., dia. 510 mm, Optim (SKF or NKE) STRENX
9	U740 17.00.00	1	U740 17.00.00	1	U740 17.00.00	1	Front disc assy., dia. 510 mm Optim (SKF or NKE) STRENX
10	U-710 12.00.00	1	U-710 12.00.00	1	U-710 12.00.00	1	Connecting link assy.

3. THREE-POINT HITCH

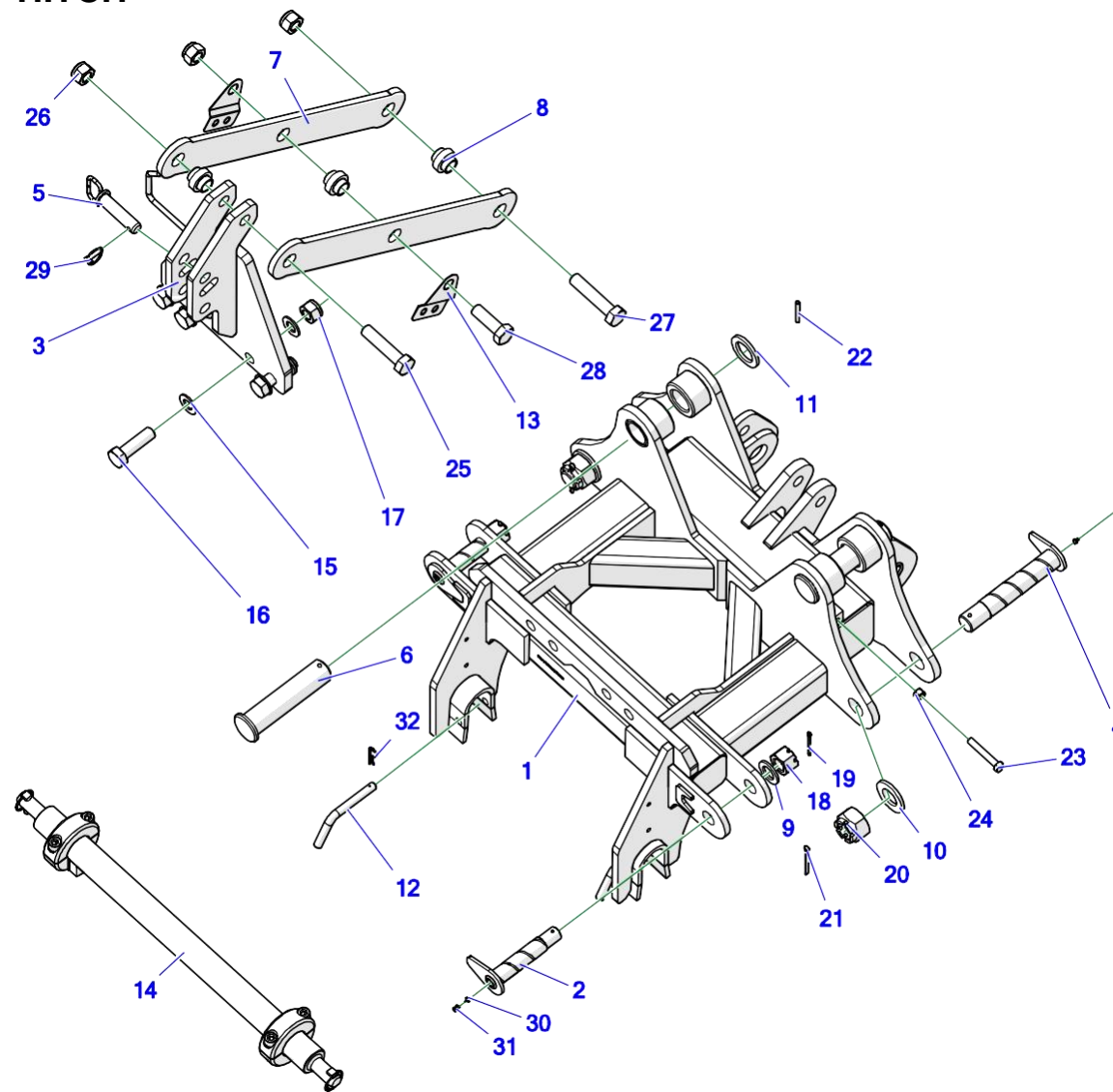


Table 3. Three-point hitch

No.	Index	Name	Qty.
1	U-710 01.02.00	TPH frame	1
2	U-710 01.03.00	Pin I	2
3	U-710 01.05.00	TPH upper fixture	1
4	U-710 01.08.00	Pin III	2
5	U-710 01.09.00.1	Pin IV	1
6	U-710 01.00.04.1	Pin II	2
7	U-710 01.00.06	Connecting plate	2
8	U-710 01.00.07	Spacer bushing	3
9	U-710 01.00.10	Washer I	2
10	U-710 01.00.11	Washer II	2
11	U-710 01.00.12	Washer III	2
12	U-710 01.00.13	Pin V	2
13	U-710 01.00.14	Tubing/wiring bracket	2
14	U-710 31.00.00	Hitch bar, cat. 3 40HM	1
15	23P30OOC	Round washer, dia. 30 galv., 82005 82005	8
16	POD-ELZ-000390	Bolt, 30 x 100 galv., 8.8 82101	4
17	POD-ELZ-000042-1	Self-locking nut, M30 galv., 82175	4
18	POD-ELZ-000382	Castellated nut, M36 grade 8 galv.	2
19	POD-ELZ-000388	Cotter pin, 6.3 x 80, galv.	2

20	POD-ELZ-000383	Castellated nut, M48 grade 8 galv., DIN735	2
21	POD-ELZ-000389	Cotter pin, 8 x 100 galv.	2
22	POD-ELZ-000350	Spring pin, 10 x 80 DIN 1481	2
23	23S16/100OC 8.8	Bolt, 16 x 100 galv., 8.8 82105 82105	2
24	23N16OC	Nut, M16 galv., 8.8 82144 5 82144 5	2
25	POD-ELZ-000391	Bolt, 30 x 130 galv., 8.8 82101	1
26	POD-ELZ-000042-1	Self-locking nut, M30 galv., 82175	3
27	POD-ELZ-000394	Bolt, 30 x 140 galv., 8.8 82101	1
28	POD-ELZ-000392	Bolt, 30 x 90 galv., 8.8 82101	1
29	23PR11	Cotter pin w/ring, dia. 11	1
30	23SM8	Grease nipple, M8 x 1.0 straight	4
31	23KOC	Dust cap, red	4
32	23ZRF14	Spring cotter pin, single, 4 (R-letter shaped, single)	2

4. HITCH BAR, CAT. 3 40HM

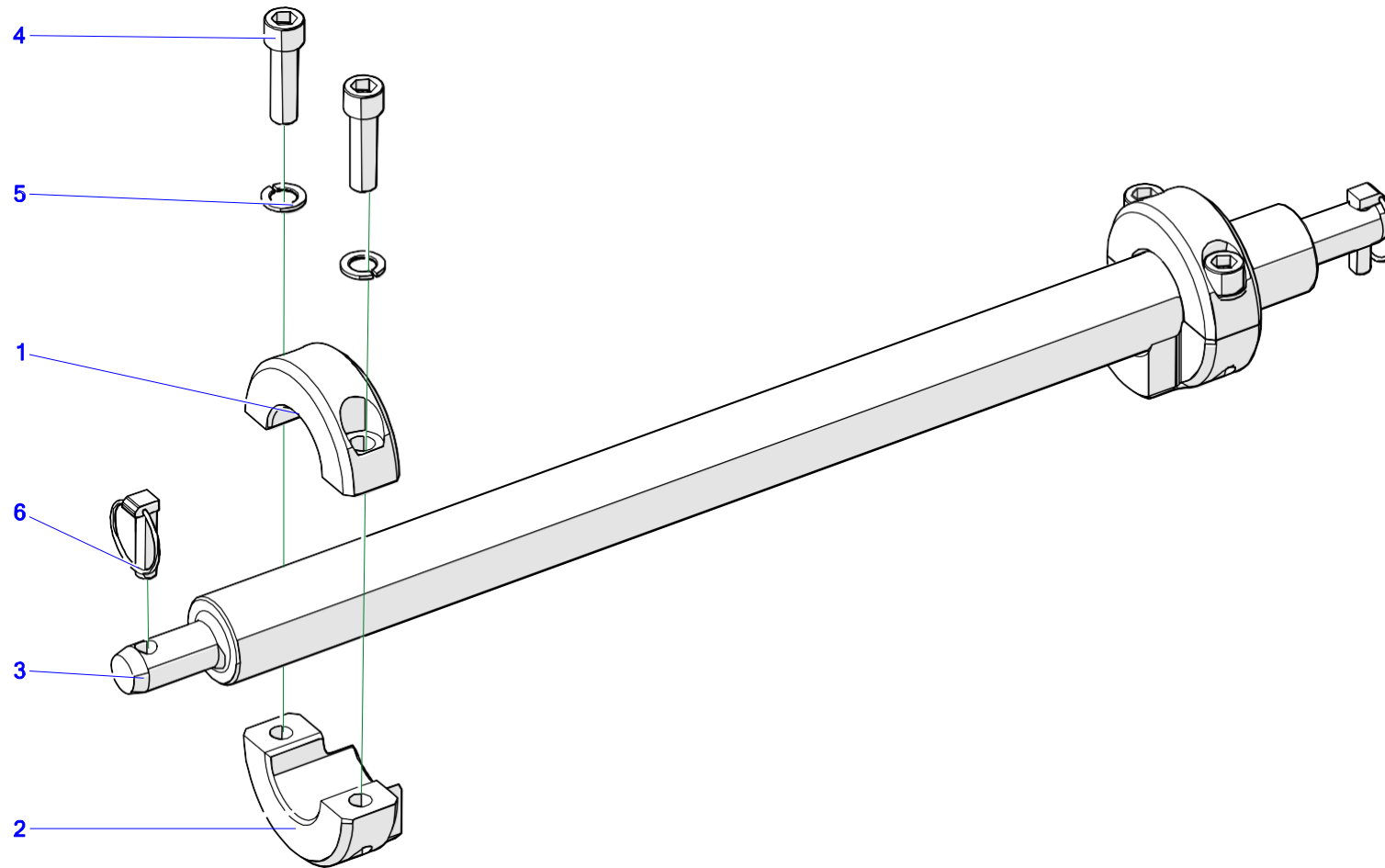


Table 4. Hitch bar, cat. 3 40HM

No.	Index	Name	Qty.
1	U-710 31.00.01	Split mount half	2
2	U-710 31.00.02	Split mount half w/thd. holes	2
3	U-710 31.00.03	Hitch bar, cat. 3	1
4	POD-ELZ-000866	Allen bolt, 20 x 70 galv., 10.9 82302	4
5	23P20SP	Spring washer, dia. 20.5 galv., 82008 82008	4
6	POD-ELZ-000931	Cotter pin w/ring, dia. 16	2

5. BOOM, LH

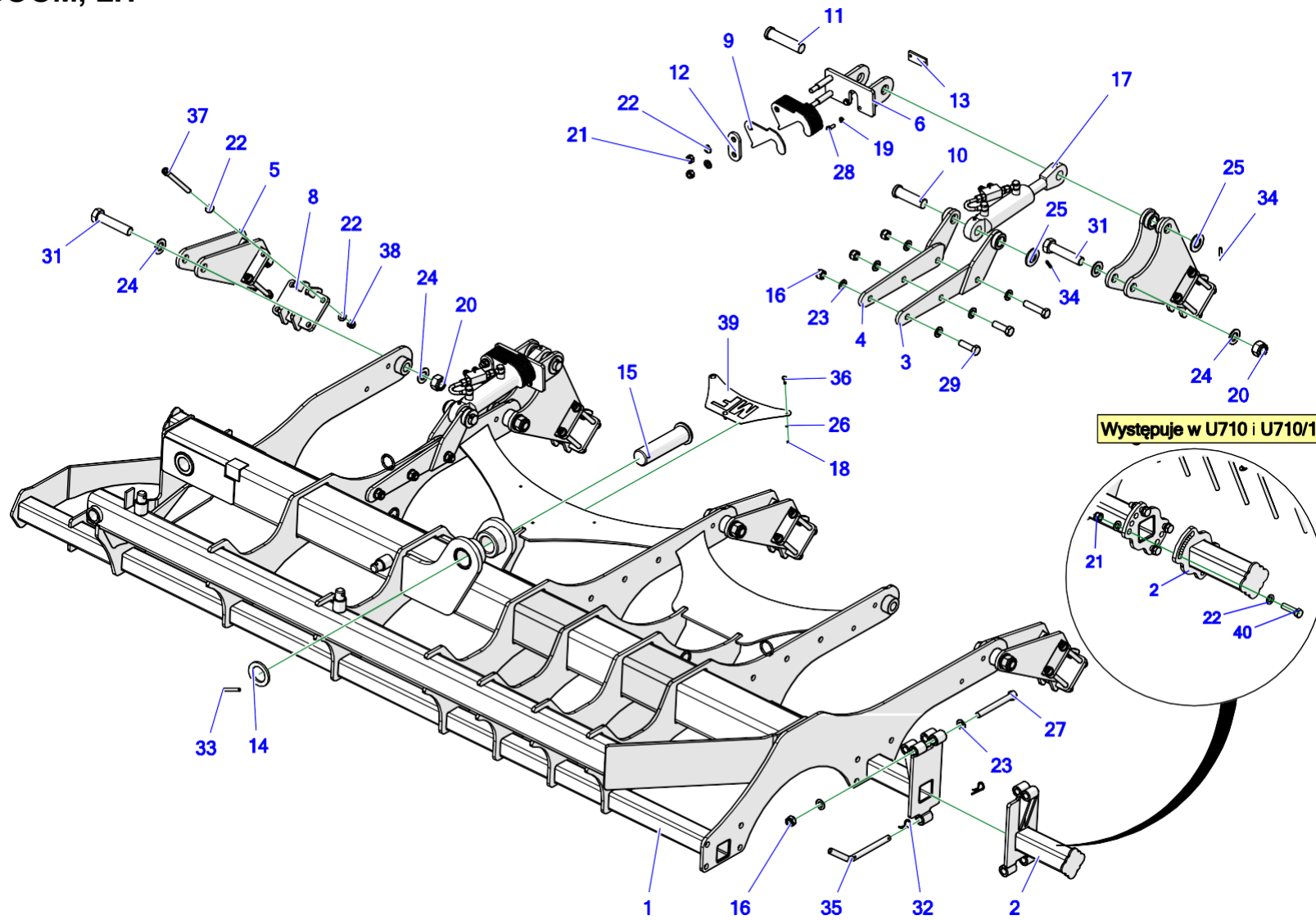


Table 5. Boom, LH

No.	U710 index	Qty. U710	U710/1 index	Qty. U710/1	U710/2 index	Qty. U710/2	Name
1	U-710 02.01.00	1	U-710/1 02.01.00	1	U-710/2 02.01.00	1	Boom, LH
2	U-710 02.09.00	1	U-710 02.09.00	1	U-710/2 02.02.00	1	Boom extension *Swung disc bracket
3	U-710 02.03.00.4	2	U-710 02.03.00.4	2	U-710 02.03.00.4	2	Packer cylinder mount II
4	U-710 02.04.00.4	2	U-710 02.04.00.4	2	U-710 02.04.00.4	2	Packer cylinder mount
5	U-710 02.05.00	2	U-710 02.05.00	2	U-710 02.05.00	3	Roller packer bracket I
6	U-710 02.07.00.2	2	U-710 02.07.00.2	2	U-710 02.07.00.2	2	Cylinder adjustment bracket
7	U-710 02.08.00	2	U-710 02.08.00	2	U-710 02.08.00	2	Roller packer bracket II
8	U-710 04.04.00	4	U-710 04.04.00	4	U-710 04.04.00	5	Packer fixture, 6-hole pattern
9	U-710 02.00.06.1	22	U-710 02.00.06.1	22	U-710 02.00.06.1	22	Cylinder clamp
10	U-710 02.00.05.1	2	U-710 02.00.05.1	2	U-710 02.00.05.1	2	Small cylinder pin I
11	U-710 02.00.04.1	2	U-710 02.00.04.1	2	U-710 02.00.04.1	2	Small cylinder pin
12	U-710 02.00.03	2	U-710 02.00.03	2	U-710 02.00.03	2	Steel plate I
13	U-710 02.00.02.2	2	U-710 02.00.02.2	2	U-710 02.00.02.2	2	Small cylinder plate
14	U-710 01.00.12	1	U-710 01.00.12	1	U-710 01.00.12	1	Washer III
15	U-710 02.00.09.1	1	U-710 02.00.09.1	1	U-710 02.00.09.1	1	Pin
16	23NS20OC 82175	6	23NS20OC 82175	6	23NS20OC 82175	7	Self locking nut, M20 galv., 82175 8 82175 8
17	U-710 13.02.00	2	U-710 13.02.00	2	U-710 13.02.00	2	Packer adjusting cylinder assy. U-710 13.02.00
18	23NS6OC	3	23NS6OC	3	23NS6OC	3	Self locking nut, M6 galv., 821758 82175 8
19	23P10OOC	4	23P10OOC	4	23P10OOC	4	Round washer, dia. 10 BS, 82005 82005

20	POD-ELZ-000042-1	4	POD-ELZ-000042-1	4	POD-ELZ-000042-1	5	Self-locking nut, M30 galv., 82175
21	23NS16OC	8	23NS16OC	8	23NS16OC	4	Self locking nut, M16 galv., 82175 8 82175 8
22	23P16OOC	60	23P16OOC	60	23P16OOC	64	Round washer, dia. 16 galv., 82005 82005
23	23P20OOC	12	23P20OOC	12	23P20OOC	14	Round washer, dia. 20 galv., 82005 82005
24	23P30OOC	8	23P30OOC	8	23P30OOC	10	Round washer, dia. 30 galv., 82005 82005
25	23P36OOC	4	23P36OOC	4	23P36OOC	4	Round washer, dia. 36, galv., 82005 82005
26	23P6OOC	3	23P6OOC	3	23P6OOC	3	Round washer, dia. 6 galv., 82005 82005
27	POD-ELZ-000660	-	POD-ELZ-000660	-	POD-ELZ-000660	1	Bolt, 20 x 180 galv., 8.8 82101
28	23S10/25OC 8.8	4	23S10/25OC 8.8	4	23S10/25OC 8.8	4	Bolt, 10 x 25 galv., 8.8 82105 82105
29	POD-ELZ-000386	4	POD-ELZ-000386	4	POD-ELZ-000386	4	Bolt, 20 x 65 galv., 10.9 82101
30	23S20/90 8.8 101	2	23S20/90 8.8101	2	23S20/90 8.8101	2	Bolt, 20 x 90 galv., 82101 82101
31	POD-ELZ-000387	4	POD-ELZ-000387	4	POD-ELZ-000387	5	Bolt, 30 x 140 galv., 10.9 82101
32	23ZRFI4	-	23ZRFI4	-	23ZRFI4	2	Spring cotter pin, single, 4 (R letter shaped, single)
33	POD-ELZ-000350	1	POD-ELZ-000350	1	POD-ELZ-000350	1	Spring pin, 10 x 80 DIN 1481
34	23K8/50	4	23K8/50	4	23K8/50	4	Spring pin, 8 x 50 DIN 1481
35	U-740 00.00.05	-	U-740 00.00.05	-	U-740 00.00.05	1	Pin
36	POD-ELZ-000932	3	POD-ELZ-000932	3	POD-ELZ-000932	3	Carriage bolt, 8 x 25 galv., 8.8 82406
37	POD-ELZ-001013	24	POD-ELZ-001013	24	POD-ELZ-001013	30	Allen bolt, 16 x 180 BS, 12.9 82302 DIN 912
38	POD-ELZ-000901	24	POD-ELZ-000901	24	POD-ELZ-000901	30	Self locking nut, M16 galv., 10.9 82175
39	U-710 02.01.10.LOGO	1	U-710 02.01.10.LOGO	1	U-710 02.01.10.LOGO	1	Metal sheet plaque, LOGO, galv., U-710 02.01.10.LOGO
40	23S16/60	4	23S16/60	4	-	-	Bolt, 16 x 60 galv., 8.8 82105 82105

*Name ref's. to U-710/2 02.02.00

6. BOOM, RH

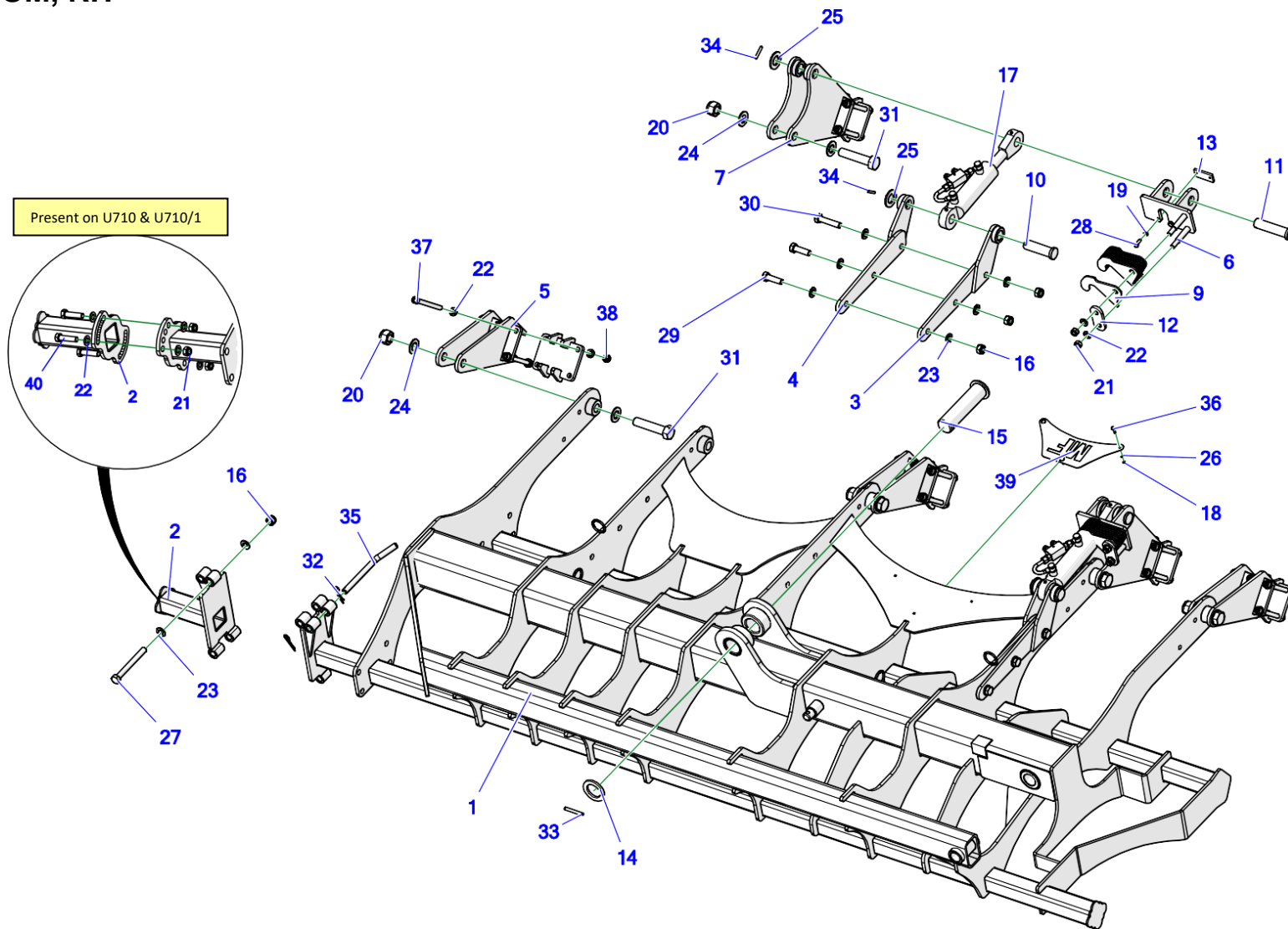


Table 6. Boom, RH

No.	U710 index	Qty. U710	U710/1 index	Qty. U710/1	U710/2 index	Qty. U710/2	Name
1	U-710 03.01.00	1	U-710/1 03.01.00	1	U-710/2 03.01.00	1	Boom, RH
2	U-710 02.09.00	1	U-710 02.09.00	1	U-710/2 02.02.00	1	Boom extension *Swung disc bracket
3	U-710 02.03.00.4	2	U-710 02.03.00.4	2	U-710 02.03.00.4	2	Packer cylinder mount II
4	U-710 02.04.00.4	2	U-710 02.04.00.4	2	U-710 02.04.00.4	2	Packer cylinder mount
5	U-710 02.05.00	2	U-710 02.05.00	2	U-710 02.05.00	3	Roller packer bracket I
6	U-710 02.07.00.2	2	U-710 02.07.00.2	2	U-710 02.07.00.2	2	Cylinder adjustment bracket
7	U-710 02.08.00	2	U-710 02.08.00	2	U-710 02.08.00	2	Roller packer bracket II
8	U-710 04.04.00	4	U-710 04.04.00	4	U-710 04.04.00	5	Packer fixture, 6-hole pattern
9	U-710 02.00.06.1	22	U-710 02.00.06.1	22	U-710 02.00.06.1	22	Cylinder clamp
10	U-710 02.00.05.1	2	U-710 02.00.05.1	2	U-710 02.00.05.1	2	Small cylinder pin I
11	U-710 02.00.04.1	2	U-710 02.00.04.1	2	U-710 02.00.04.1	2	Small cylinder pin
12	U-710 02.00.03	2	U-710 02.00.03	2	U-710 02.00.03	2	Steel plate I
13	U-710 02.00.02.2	2	U-710 02.00.02.2	2	U-710 02.00.02.2	2	Small cylinder plate
14	U-710 01.00.12	1	U-710 01.00.12	1	U-710 01.00.12	1	Washer III
15	U-710 02.00.09.1	1	U-710 02.00.09.1	1	U-710 02.00.09.1	1	Pin
16	23NS20OC 82175	6	23NS20OC 82175	6	23NS20OC 82175	7	Self-locking nut, M20 galv., 82175 8 82175 8
17	U-710 13.02.00	2	U-710 13.02.00	2	U-710 13.02.00	2	Packer adjusting cylinder assy. U-710 13.02.00
18	23NS6OC	3	23NS6OC	3	23NS6OC	3	Self-locking nut, M6 galv., 82175 82175 8
19	23P10OOC	4	23P10OOC	4	23P10OOC	4	Round washer, dia. 10 BS, 82005 82005
20	POD-ELZ-000042-1	4	POD-ELZ-000042-1	4	POD-ELZ-000042-1	5	Self-locking nut, M30 galv., 82175

21	23NS16OC	8	23NS16OC	8	23NS16OC	4	Self-locking nut, M16 galv., 82175 8 82175 8
22	23P16OOC	60	23P16OOC	60	23P16OOC	64	Round washer, dia. 16 galv., 82005 82005
23	23P20OOC	12	23P20OOC	12	23P20OOC	14	Round washer, dia. 20 galv., 82005 82005
24	23P30OOC	8	23P30OOC	8	23P30OOC	10	Round washer, dia. 30 galv., 82005 82005
25	23P36OOC	4	23P36OOC	4	23P36OOC	4	Round washer, dia. 36, galv., 82005 82005
26	23P6OOC	3	23P6OOC	3	23P6OOC	3	Round washer, dia. 6 galv., 82005 82005
27	POD-ELZ-000660	-	POD-ELZ-000660	-	POD-ELZ-000660	1	Bolt, 20 x 180 galv., 8.8 82101
28	23S10/25OC 8.8	4	23S10/25OC 8.8	4	23S10/25OC 8.8	4	Bolt, 10 x 25 galv., 8.8 82105 82105
29	POD-ELZ-000386	4	POD-ELZ-000386	4	POD-ELZ-000386	4	Bolt, 20 x 65 galv., 10.9 82101
30	23S20/90 8.8 101	2	23S20/90 8.8 101	2	23S20/90 8.8 101	2	Bolt, 20 x 90 galv., 82101 82101
31	POD-ELZ-000387	4	POD-ELZ-000387	4	POD-ELZ-000387	5	Bolt, 30 x 140 galv., 10.9 82101
32	23ZRFI4	-	23ZRFI4	-	23ZRFI4	2	Spring cotter pin, single, 4 (R letter shaped, single)
33	POD-ELZ-000350	1	POD-ELZ-000350	1	POD-ELZ-000350	1	Spring pin, 10 x 80 DIN 1481
34	23K8/50	4	23K8/50	4	23K8/50	4	Spring pin, 8 x 50 DIN 1481
35	U-740 00.00.05	-	U-740 00.00.05	-	U-740 00.00.05	1	Pin
36	POD-ELZ-000932	3	POD-ELZ-000932	3	POD-ELZ-000932	3	Carriage bolt, 6 x 25 galv., 8.8 82406
37	POD-ELZ-001013	24	POD-ELZ-001013	24	POD-ELZ-001013	30	Allen bolt, 16 x 180 BS, 12.9 82302 DIN 912
38	POD-ELZ-000901	24	POD-ELZ-000901	24	POD-ELZ-000901	30	Self locking nut, M16 galv., 10.9 82175
39	U-710 02.01.10.LOGO	1	U-710 02.01.10.LOGO	1	U-710 02.01.10.LOGO	1	Metal sheet plaque, LOGO, galv., U-710 02.01.10.LOGO
40	23S16/60	4	23S16/60	4	-	-	Bolt, 16 x 60 galv., 8.8 82105 82105

*Name ref's. to U-710/2 02.02.00

7. SPRING TINE MOUNT ASSEMBLY

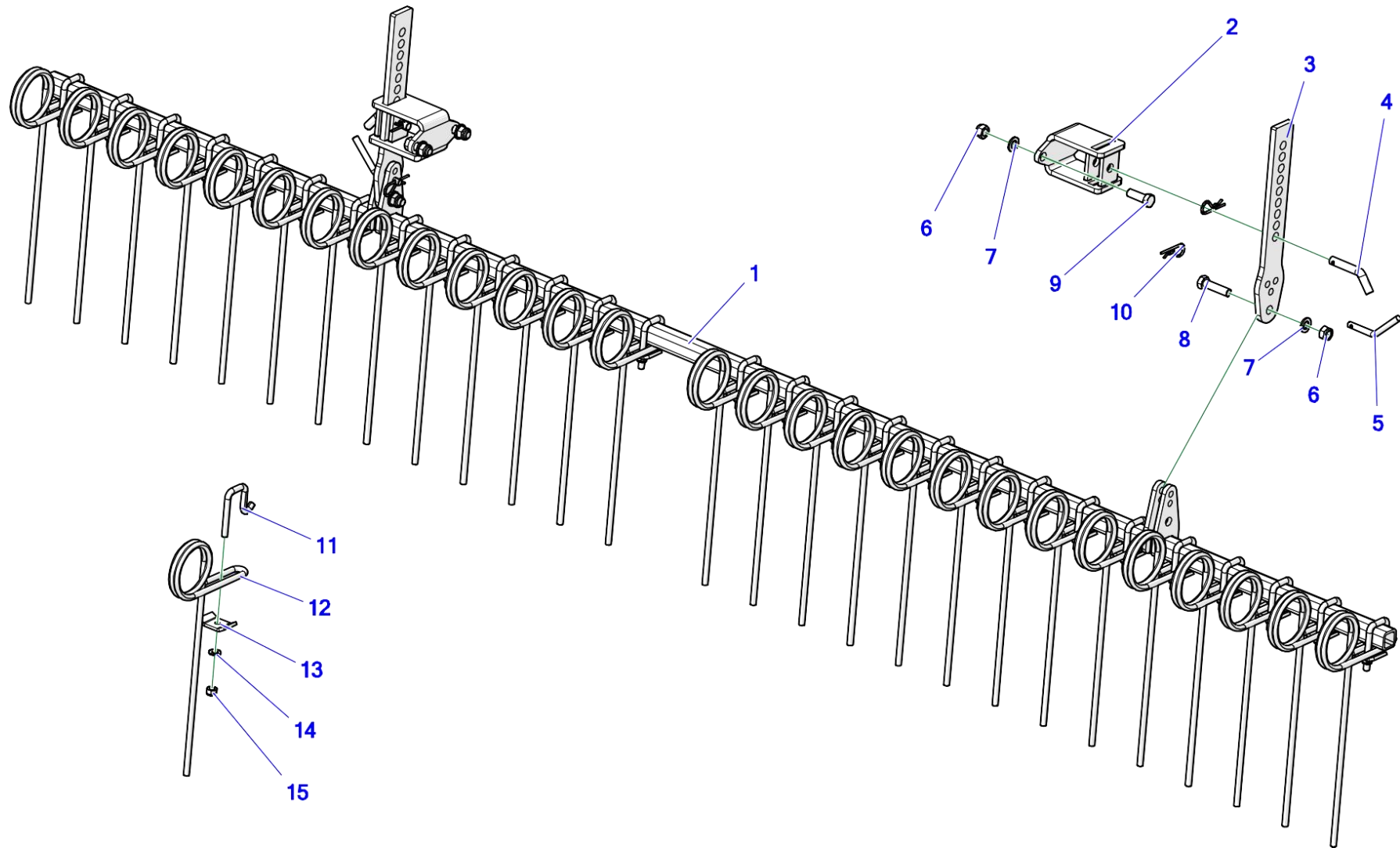


Table 7. Spring tine mount assembly

No.	U710 index	U710 qty.	U710/1 index	U710/1 qty.	U710/2 index	U710/2 qty.	Name
1	U-710 02.02.00	1	U-710/1 02.02.00	1	U-710/2 04.01.00	1	Spring tine mount assembly *3.5 m scraper bar
2	U-710 02.06.00	2	U-710 02.06.00	2	U-710 02.06.00	2	Flat bar holder
3	U-710 02.00.01	2	U-710 02.00.01	2	U-710 02.00.01	2	Adjustment flat bar
4	U-710 02.00.08	2	U-710 02.00.08	2	U-710 02.00.08	2	Adjustment pin II
5	U-710 02.00.07	2	U-710 02.00.07	2	U-710 02.00.07	2	Adjustment pin I
6	23NS16OC	6	23NS16OC	6	23NS16OC	6	Self-locking nut, M16 galv., 82175 8 82175 8
7	23P16OOC	6	23P16OOC	6	23P16OOC	6	Round washer, dia. 16 galv., 82005 82005
8	23S16/60 8.8 82101 OC	2	23S16/60 8.8 82101 OC	2	23S16/60 8.8 82101 OC	2	Bolt, 16 x 60 galv., 8.8 82101 82101
9	POD-ELZ-000402	4	POD-ELZ-000402	4	POD-ELZ-000402	4	Bolt, 16 x 45 galv., 10.9 82105
10	23ZRFI4	4	23ZRFI4	4	23ZRFI4	4	Spring cotter pin, single, 4 (R letter shaped, single)
11	U-710 02.10.01	24	U-710 02.10.01	17	U-710 02.10.01	28	Tine mounting
12	POD-SPR-000048	24	POD-SPR-000048	17	POD-SPR-000048	28	Scraper spring, 12/121/530/2 (RNT - U-710 02.10.03)
13	U-710 02.10.02	24	U-710 02.10.02	17	U-710 02.10.02	28	Spring retainer
14	23P12OC	24	23P12OC	17	23P12OC	28	Round washer 12 galv., 82005
15	23NS12OC	24	23NS12OC	17	23NS12OC	28	Self-locking nut, M12 galv., 82175 8 82175 8

*Name ref's. to U-710/2 04.01.00

8. OPTIM REAR DISC ASSY.

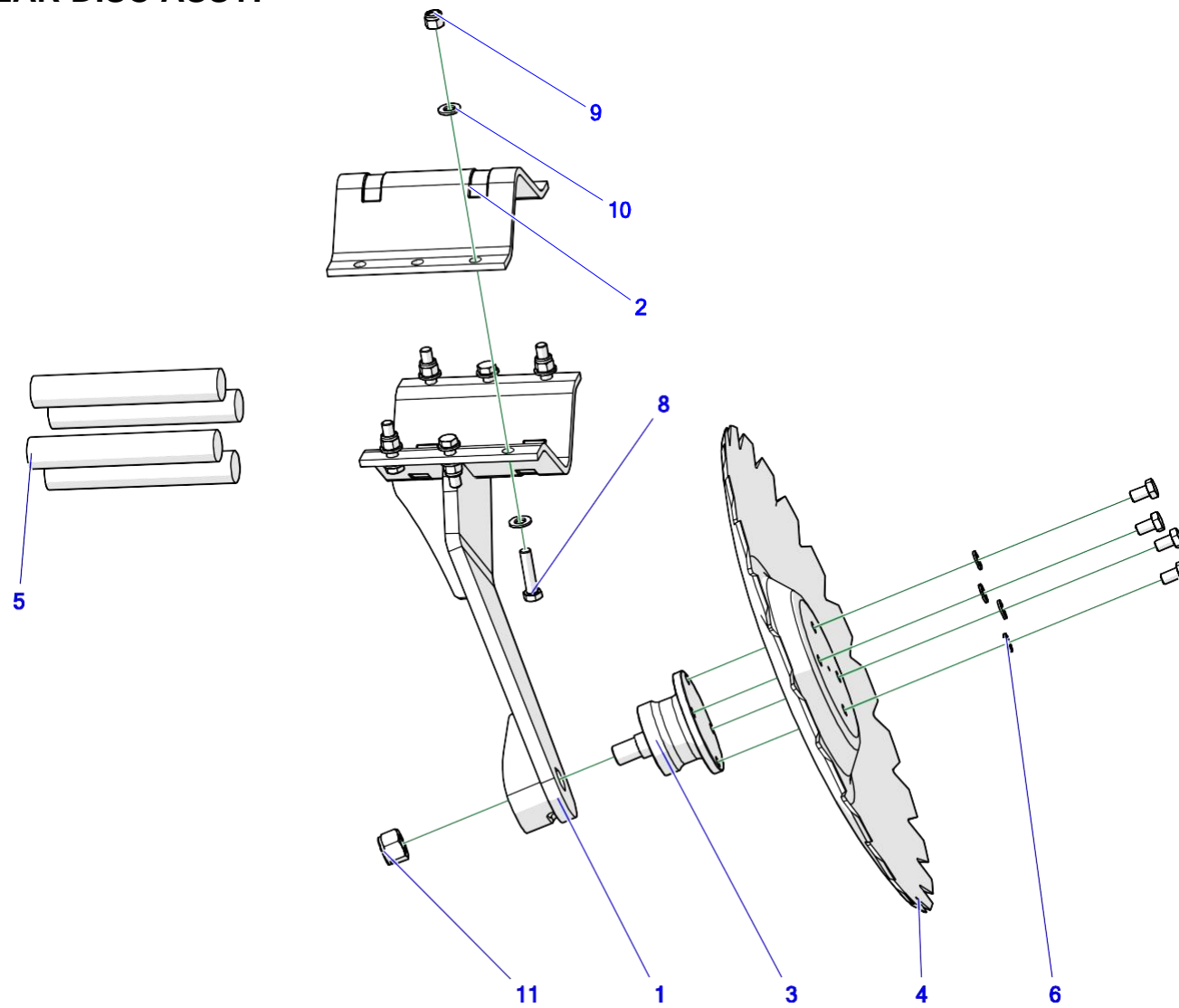


Table 8. Optim rear disc assy.

No.	U740 14.00.00 index	U740 14.00.00 qty.	U740 14.00.GT index	U740 14.00.GT qty.	U740 14.00.00 index	U740 14.00.00 qty.	U740 16.00.GT index	U740 16.00.GT qty.	Name
1	U740 14.01.00	1	U740 14.01.00	1	U740 14.01.00	1	U740 14.01.00	1	Rear arm, SKF Optim STRENX disc
2	U740-1 09.01.03M	1	U740-1 09.01.03M	1	U740-1 09.01.03M	1	U740-1 09.01.03M	1	Canopy, 200 mm, disc bracket, press-formed (assembled)
3	POD-LOZ- 000174	1	POD-LOZ- 000174	1	POD-LOZ- 000174	1	POD-LOZ- 000174	1	Hub, maintenance-free, BAA0004
4	POD-OGL- 000482	1	POD-OGL- 000718	1	POD-OGL- 000481	1	POD-OGL- 000717	1	Disc, serrated, dia. 560/4 * Serrated disc, dia. 560/4 g=6 narrow spoke ** Serrated disc, dia. 510/4 *** Serrated disc, dia. 510/4, g=6 narrow spoke
5	POD-TSZ- 000131	4	POD-TSZ- 000131	4	POD-TSZ- 000131	4	POD-TSZ- 000131	4	Rubber shock damper, 35 x 210
6	23P12SP	4	23P12SP	4	23P12SP	4	23P12SP	4	Spring washer, dia. 12 galv., 82008 82008
7	POD-ELZ- 000629	4	POD-ELZ- 000629	4	POD-ELZ- 000629	4	POD-ELZ- 000629	4	Bolt, 12 x 1.25 x 20 galv., 10.9 82105
8	POD-ELZ- 000586	6	POD-ELZ- 000586	6	POD-ELZ- 000586	6	POD-ELZ- 000586	6	Bolt, 12 x 50 galv., 10.9 82105
9	POD-ELZ- 000589	6	POD-ELZ- 000589	6	POD-ELZ- 000589	6	POD-ELZ- 000589	6	Self-locking nut, M12 galv., grade 10
10	23P12OC	12	23P12OC	12	23P12OC	12	23P12OC	12	Round washer, dia.12 galv., 82005
11	POD-ELZ- 000623	1	POD-ELZ- 000623	1	POD-ELZ- 000623	1	POD-ELZ- 000623	1	Self-locking nut, M22 x 1.5 galv., 10.9

Name references:

POD-OGL-000482 - Serrated disc, dia. 560/4

* POD-OGL-000718 - Serrated disc, dia. 560/4 g=6 narrow spoke

** POD-OGL-000481 - Serrated disc, dia. 510/4

*** POD-OGL-000717 - Serrated disc, dia. 510/4 g=6 narrow spoke

Bracket assy. index:

U740 14.00.00 - Rear disc assy., Optim (SKF or NKE) STRENX

U740 14.00.GT - Rear disc assy., Optim (SKF or NKE) STRENX #6 mm narrow spoke

U740 16.00.00 - Rear disc assy., dia. 510 mm, Optim (SKF or NKE) STRENX

U740 16.00.GT - Rear disc assy., dia. 510 mm, Optim (SKF or NKE) STRENX #6 mm narrow spoke

9. OPTIM FRONT DISC ASSY.

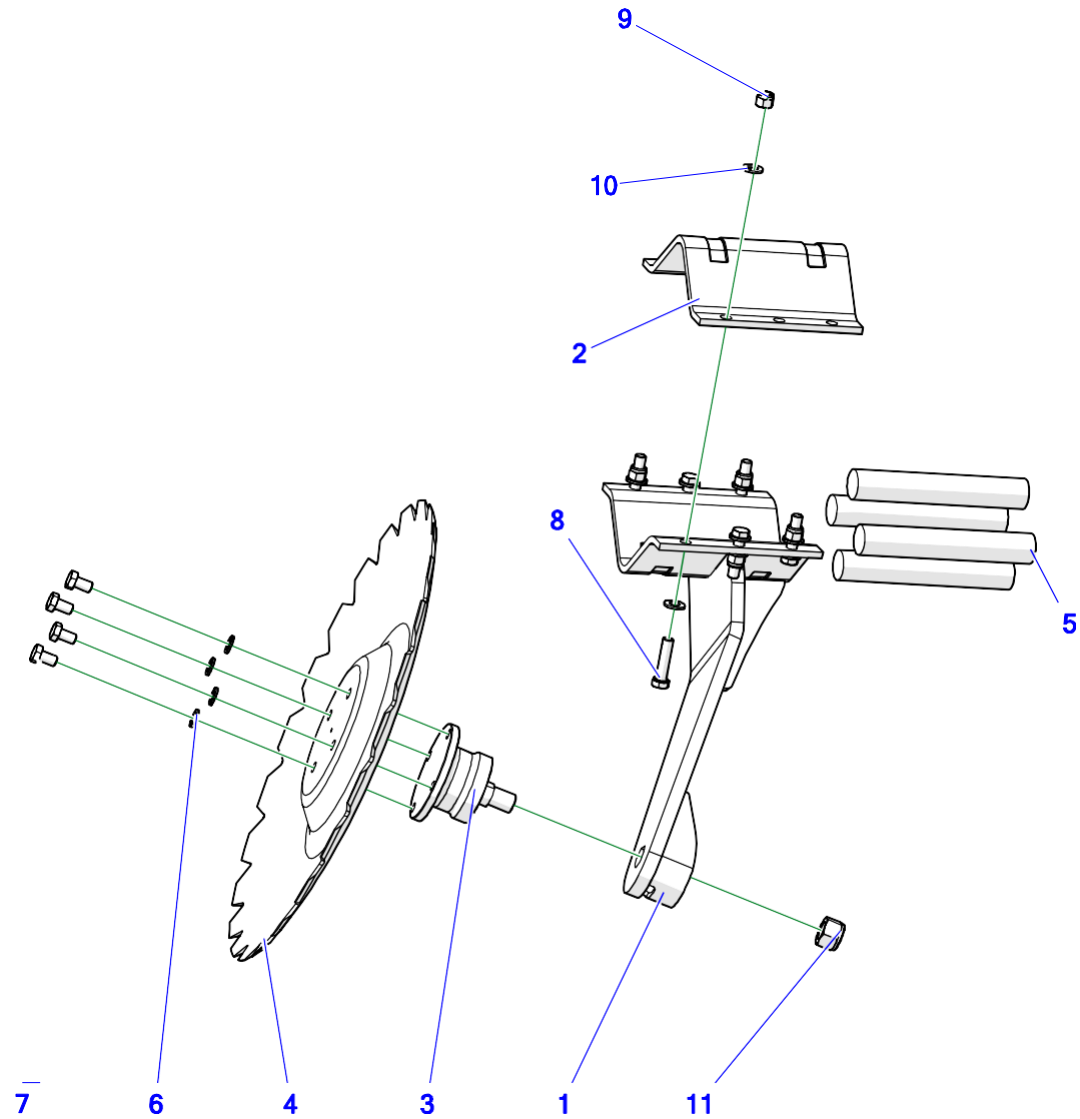


Table 9. Optim front disc assy.

No.	U740 14.00.00 index	U740 14.00.00 qty.	U740 14.00.GT index	U740 14.00.GT qty.	U740 14.00.00 index	U740 14.00.00 qty.	U740 16.00.GT index	U740 16.00.GT qty.	Name
1	U740 15.01.00	1	U740 15.01.00	1	U740 15.01.00	1	U740 15.01.00	1	Front arm, SKF Optim STRENX disc
2	U740-1 09.01.03M	1	U740-1 09.01.03M	1	U740-1 09.01.03M	1	U740-1 09.01.03M	1	Canopy, 200 mm, disc bracket, press-formed (assembled)
3	POD-LOZ- 000174	1	POD-LOZ- 000174	1	POD-LOZ- 000174	1	POD-LOZ- 000174	1	Hub, maintenance-free, BAA0004
4	POD-OGL- 000482	1	POD-OGL- 000718	1	POD-OGL- 000481	1	POD-OGL- 000717	1	Disc, serrated, dia. 560/4 * Serrated disc, dia. 560/4 g=6 narrow spoke ** Serrated disc, dia. 510/4 *** Serrated disc, dia. 510/4, g=6 narrow spoke
5	POD-TSZ- 000131	4	POD-TSZ- 000131	4	POD-TSZ- 000131	4	POD-TSZ- 000131	4	Rubber shock damper, 35 x 210
6	23P12SP	4	23P12SP	4	23P12SP	4	23P12SP	4	Spring washer, dia. 12 galv., 82008 82008
7	POD-ELZ- 000629	4	POD-ELZ- 000629	4	POD-ELZ- 000629	4	POD-ELZ- 000629	4	Bolt, 12 x 1.25 x 20 galv., 10.9 82105
8	POD-ELZ- 000586	6	POD-ELZ- 000586	6	POD-ELZ- 000586	6	POD-ELZ- 000586	6	Bolt, 12 x 50 galv., 10.9 82105
9	POD-ELZ- 000589	6	POD-ELZ- 000589	6	POD-ELZ- 000589	6	POD-ELZ- 000589	6	Self-locking nut, M12 galv., grade 10
10	23P12OC	12	23P12OC	12	23P12OC	12	23P12OC	12	Round washer, dia.12 galv., 82005
11	POD-ELZ- 000623	1	POD-ELZ- 000623	1	POD-ELZ- 000623	1	POD-ELZ- 000623	1	Self-locking nut, M22 x 1.5 galv., 10.9

Name references:

POD-OGL-000482 - Serrated disc, dia. 560/4

* POD-OGL-000718 - Serrated disc, dia. 560/4 g=6 narrow spoke

** POD-OGL-000481 - Serrated disc, dia. 510/4

*** POD-OGL-000717 - Serrated disc, dia. 510/4 g=6 narrow spoke

Bracket assy. index:

U740 15.00.00 - Front disc assy., Optim (SKF or NKE) STRENX

U740 15.00.GT - Front disc assy., Optim (SKF or NKE) STRENX #6 mm narrow spoke

U740 17.00.00 - Front disc assy., dia. 510 mm., Optim (SKF or NKE) STRENX

U740 17.00.GT - Front disc assy., dia. 510 mm., Optim (SKF or NKE) STRENX #6 mm narrow spoke

10. CONNECTING LINK ASSY.

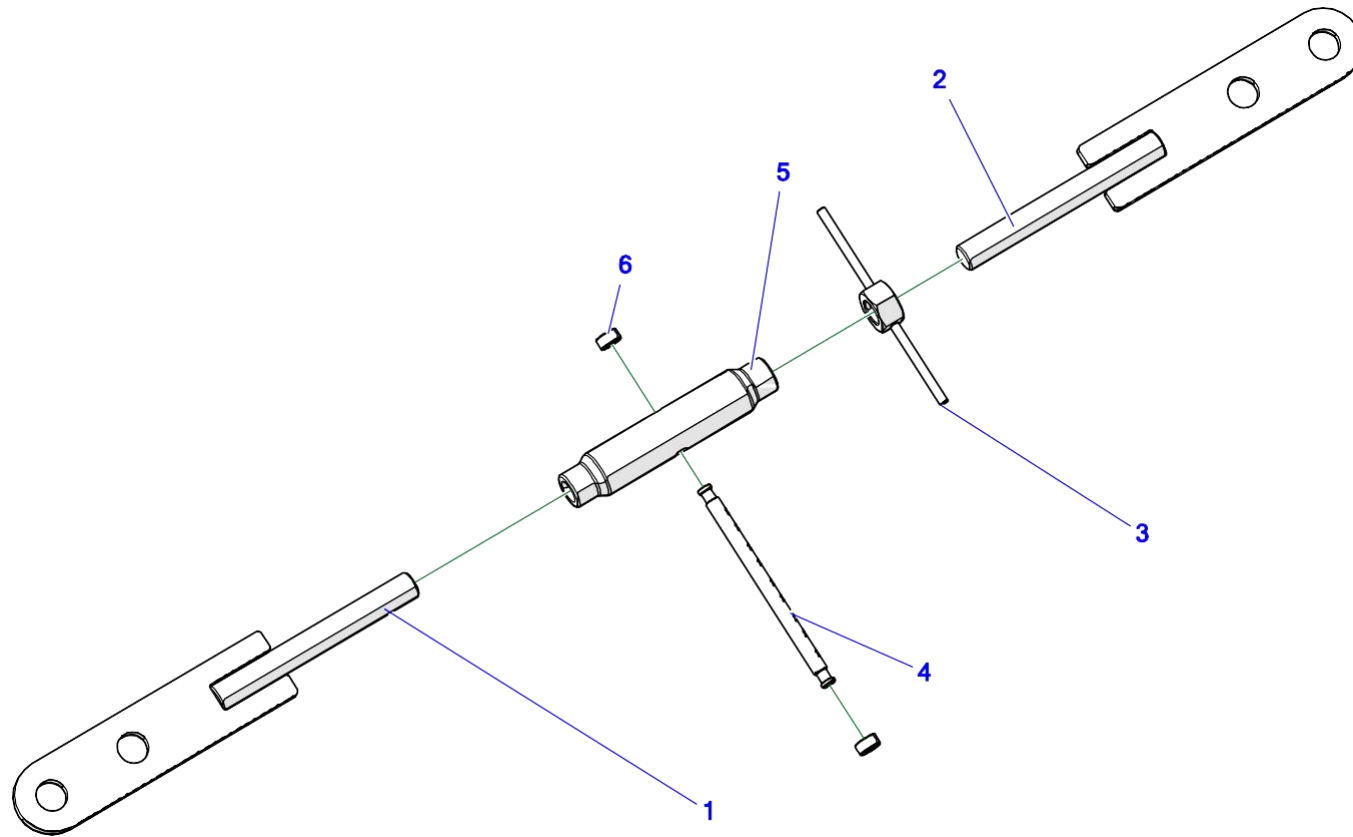


Table 10. Connecting link assy.

No.	Index	Name	Qty.
1	U-710 12.01.00	Connecting link fixture I	1
2	U-710 12.02.00	Connecting link fixture II	1
3	U-710 12.04.00	Counternut, M30	1
4	U-710 12.03.01.1	Connecting link bracket	1
5	POD-ELZ-000400	Pipe tensioner nut, dia. 30, 82268	1
6	POD-TSZ-000109	Rubber stop piece	2

11. OUTER DISC SIDE PLATES

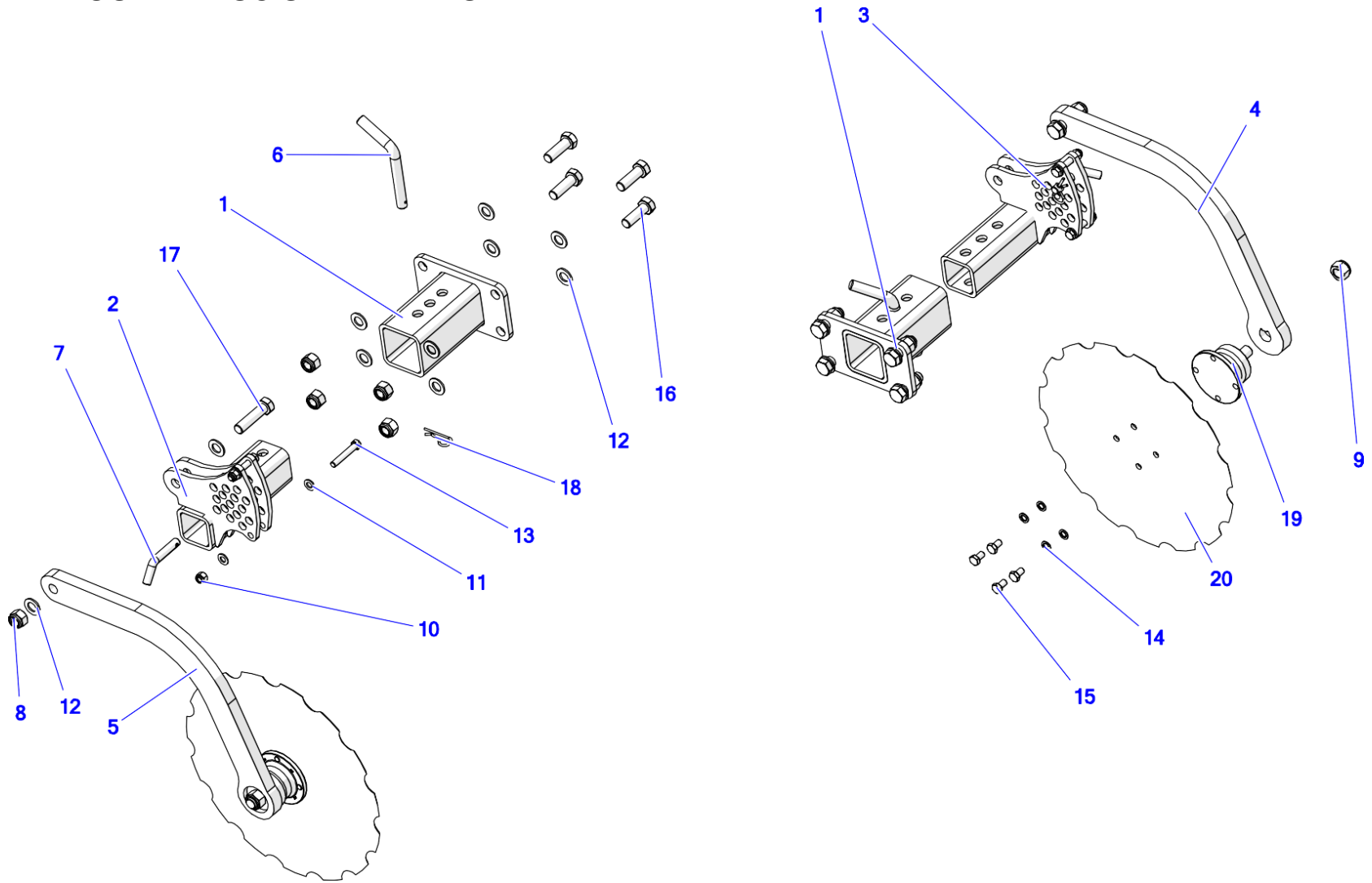


Table 11. Outer disc side plates

No.	Index	Name	Qty.
1	U740 28.01.00	Side plate bracket, bolt-on	2
2	U740 28.02.00	Bracket, LH	1
3	U740 28.03.00	Bracket, RH	1
4	U740 28.00.01	Disc arm, RH	1
5	U740 28.00.02	Disc arm, LH	1
6	U-710 01.00.13	Pin V	2
7	U-710 02.00.08	Adjustment pin II	2
8	23NS20OC 82175	Self-locking nut, M20 galv., 82175 8 82175 8	10
9	POD-ELZ-000623	Self-locking nut, M22 x 1.5 galv., 10.9	2
10	23NS12OC	Self-locking nut, M12 galv., 82175 8 82175 8	4
11	23P12OC	Round washer, dia.12 galv., 82005	8
12	23P20OOC	Round washer, dia. 20 galv. 82005 82005	20
13	23S12/70OC 8.8	Bolt, 12 x 70 galv., 8.8 82101 82101	4
14	23P12SP	Spring washer, dia. 12 galv., 82008 82008	8
15	POD-ELZ-000629	Bolt, 12 x 1.25 x 20 galv., 10.9 82105	8
16	23S20/60 10.9	Bolt, 20 x 60 galv., 10.9 82101 82101	8
17	23S20/80 8.8 OC	Bolt, 20 x 80 galv., 82101 82101	2
18	23ZRFI4	Spring cotter pin, single, 4 (R letter shaped, single)	4
19	POD-LOZ-000174	Hub, maintenance-free, BAA0004	2
20	POD-OGL-001024	Disc, dia. 475/4, thickness 6 mm	2

12. SIDE PLATES

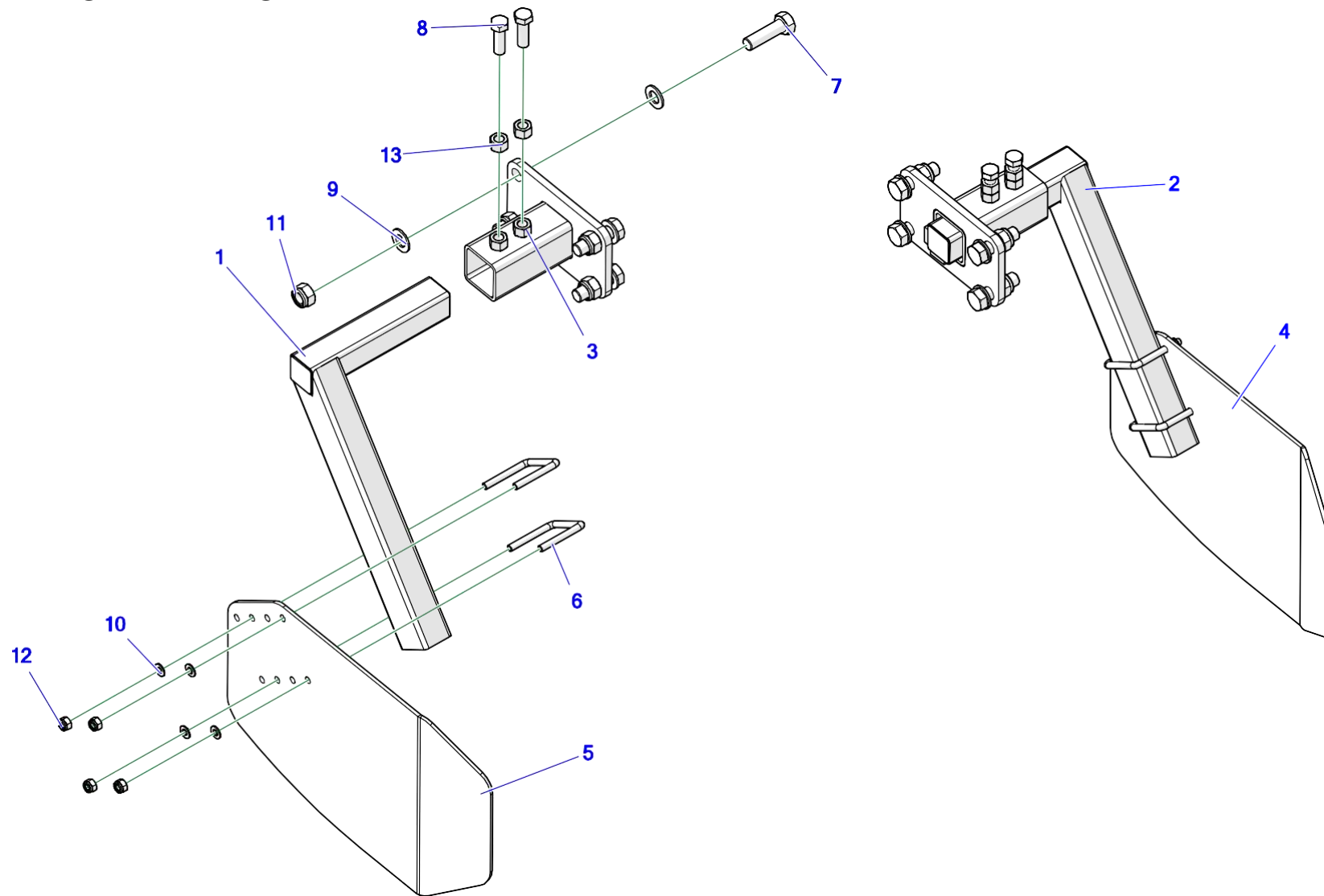


Table 12. Side plates

No.	Index	Name	Qty.
1	U-740 07.01.00	Side plate bracket, LH	1
2	U-740 07.02.00	Side plate bracket, RH	1
3	U-740 07.03.00	Bracket, side plate fixture	2
4	U-740 07.00.01	Limit plate, RH	1
5	U-740 07.00.02	Limit plate, LH	1
6	U741 00.00.03	Plate fixture	4
7	POD-ELZ-000386	Bolt, 20 x 65 galv., 10.9 82101	8
8	23S16/50 8.8	Bolt, 16 x 50 galv., 8.8 82101 82101	4
9	23P20OOC	Round washer, dia. 20 galv. 82005 82005	16
10	23P10OOC	Round washer, dia. 10 BS, 82005 82005	8
11	23NS20OC 82175	Self-locking nut, M20 galv., 82175 8 82175 8	8
12	23NS10OC	Self-locking nut, M10 galv., 82175 8 82175 8	8
13	23N16	Nut, M16 galv., 8.8 82144 5 82144 5	4

13. HITCH ASSY.

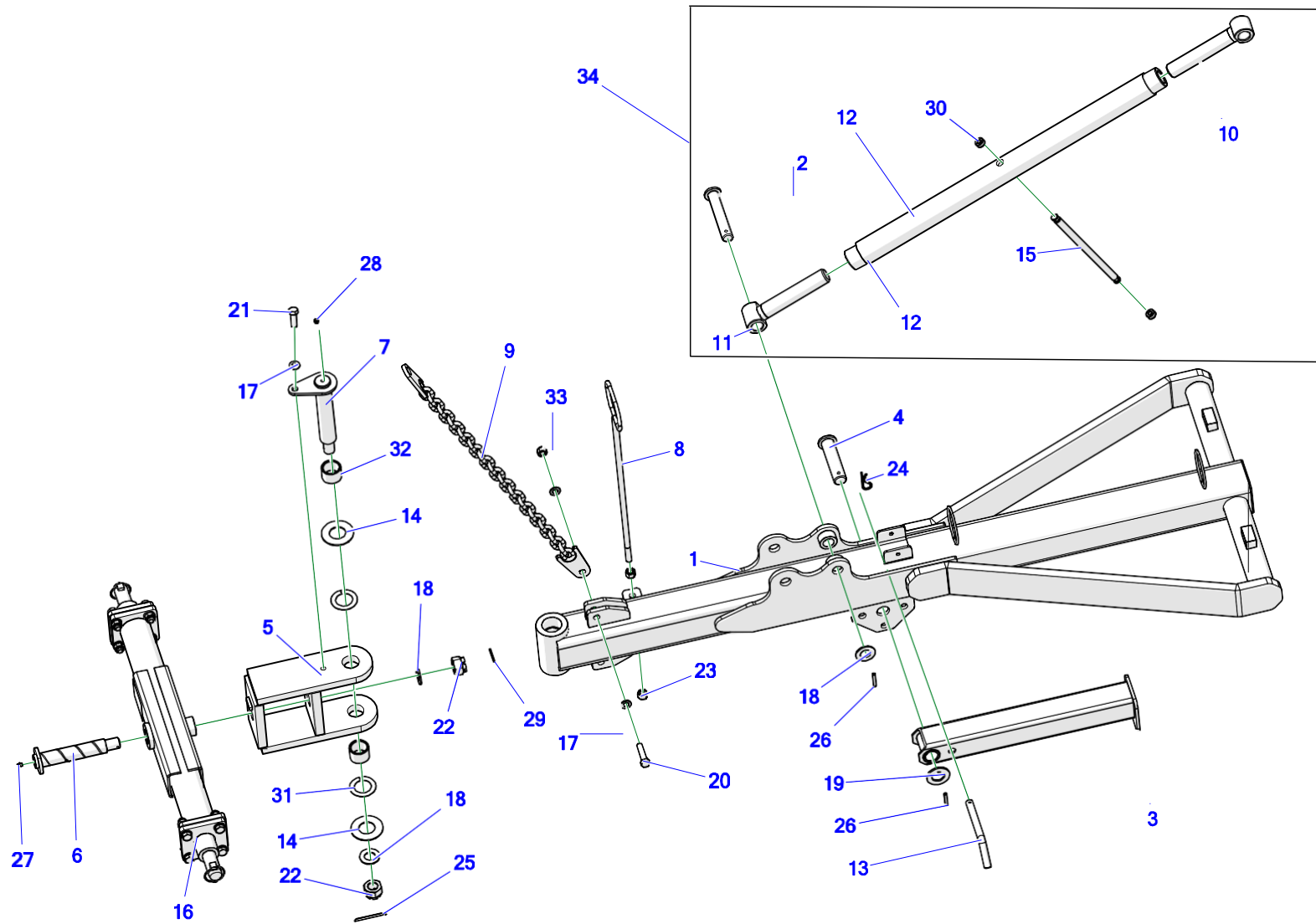


Table 13. Hitch assy.

No.	Index	Name	Qty.
1	U-710 05.01.00	Hitch main frame	1
1*	U-710 05.01.F0	Hitch main frame, long	1
2	U-710 05.02.00	Linkage rod assy.	1
3	U-710 05.03.00	Kickstand	1
4	U-710 05.04.00	Pin, kickstand	1
5	U-710 05.07.00	Swivel frame	1
6	U-710 05.08.00	Swivel pin	1
7	U-710 05.09.00	Frame pin	1
8	U-710 05.10.00	Cable support	1
9	U-710 05.11.00	Chain assy.	1
10	U-710 05.12.00	Connecting link fixture I	1
11	U-710 05.13.00	Connecting link fixture II	1
12	U-710 05.14.00	Connecting link	1
13	U-710 05.00.01	Lock, kickstand	1
14	U-710 05.00.02	Shim, drawbar frame	2
15	U-710 05.00.03	Connecting link handle	1
16	U-710 29.00.00	Main beam, cat. 3/4N	1
16*	U-710 28.00.00	Main beam, cat. 3/3N	1
17	23P16OOC	Round washer, dia. 16 galv., 82005 82005	3

18	23P30OOC	Round washer, dia. 30 galv., 82005 82005	3
19	23P36OOC	Round washer, dia. 36, galv., 82005 82005	1
20	POD-ELZ-000403	Bolt, 16 x 65 galv., 8.8 82105	1
21	POD-ELZ-000402	Bolt, 16 x 45 galv., 10.9 82105	1
22	POD-ELZ-000404	Castellated nut, M30 x 2 galv., 82148	2
23	23N16OC	Nut, M16 galv., 8.8 82144 5 82144 5	2
24	23ZRFI4	Spring cotter pin, single, 4 (R letter shaped, single)	1
25	POD-ELZ-000388	Cotter pin, 6.3 x 80, galv.	1
26	23K8/50	Spring pin, 8 x 50 DIN 1481	2
27	23SM8	Grease nipple, M8 x 1.0 straight	1
28	23SM10/1	Grease nipple, M10 x 1.0 straight	1
29	23Z4/50	Cotter pin, 4 x 50 galv.	1
30	POD-TSZ-000109	Rubber stop piece	2
31	POD-LOZ-000262	Washer, GTM-4874-020	2
32	POD-LOZ-000263	Bush, A-45-55-40	2
33	23NS16OC	Self-locking nut, M16 galv., 82175 8 82175 8	1
34*	U-710 27.00.00	Drawbar positioner	1

14. DRAWBAR POSITIONER

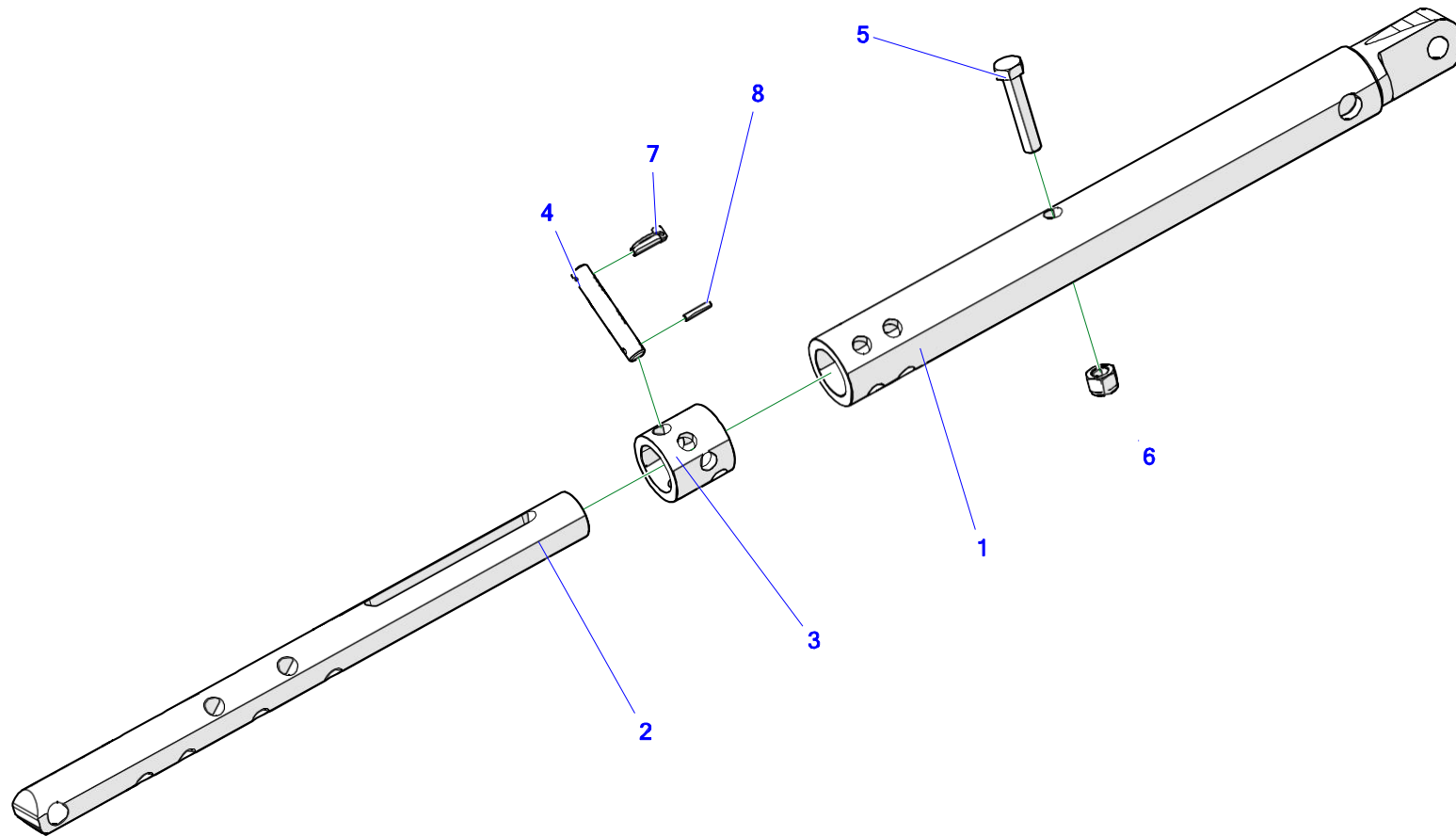


Table 14. Drawbar positioner

No.	Index	Name	Qty.
1	U-710 27.01.00	Top mount, drawbar positioner	1
2	U-710 27.00.01	Position adjustment rod	1
3	U-710 27.00.02	Adjustment thrust bushing	1
4	U-710 27.00.03	Positioner lock	1
5	POD-ELZ-000448	Bolt, 24 x 120 galv., 8.8 82105	1
6	POD-ELZ-000399	Self locking nut, M24 galv., 8 82175	1
7	23PR11	Cotter pin w/ring, dia. 11	1
8	POD-ELZ-000540	Spring pin, 8 x 40 DIN 1481	1

15. MAIN BEAM, CAT. 3/3N

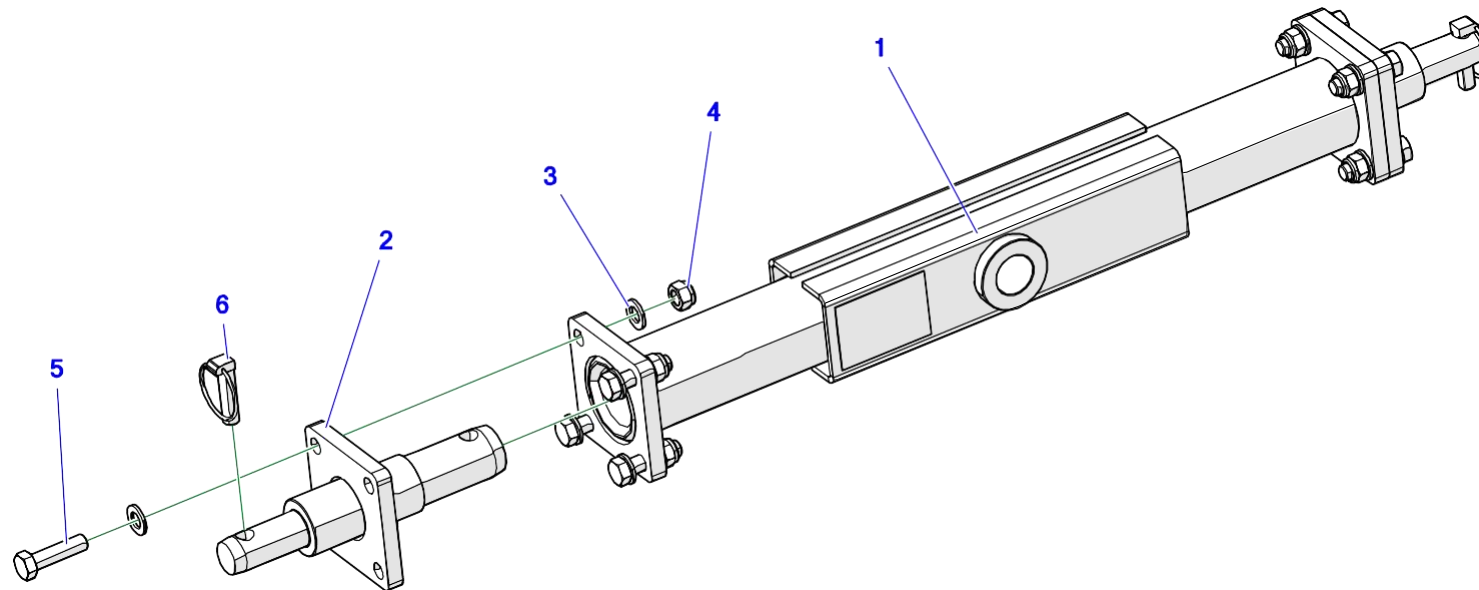


Table 15. Main beam, cat. 3/3N

No.	Index	Name	Qty.
1	U-710 28.01.00	Hitch beam 1	1
2	U-710 28.02.00	Hitch beam 2	1
3	U-710 28.00.01	Linkage rod pin	2
4	POD-ELZ-000368	Self locking nut, M20 x 1.5 galv.	4
5	23P20OOC	Round washer, dia. 20 galv., 82005 82005	8
6	23S20/80 10.9	Screw, 20 x 80 galv., 10.9 82101 82101	4
7	23PR11	Cotter pin w/ring, dia. 11	2

16. CLEVIS MAIN BEAM

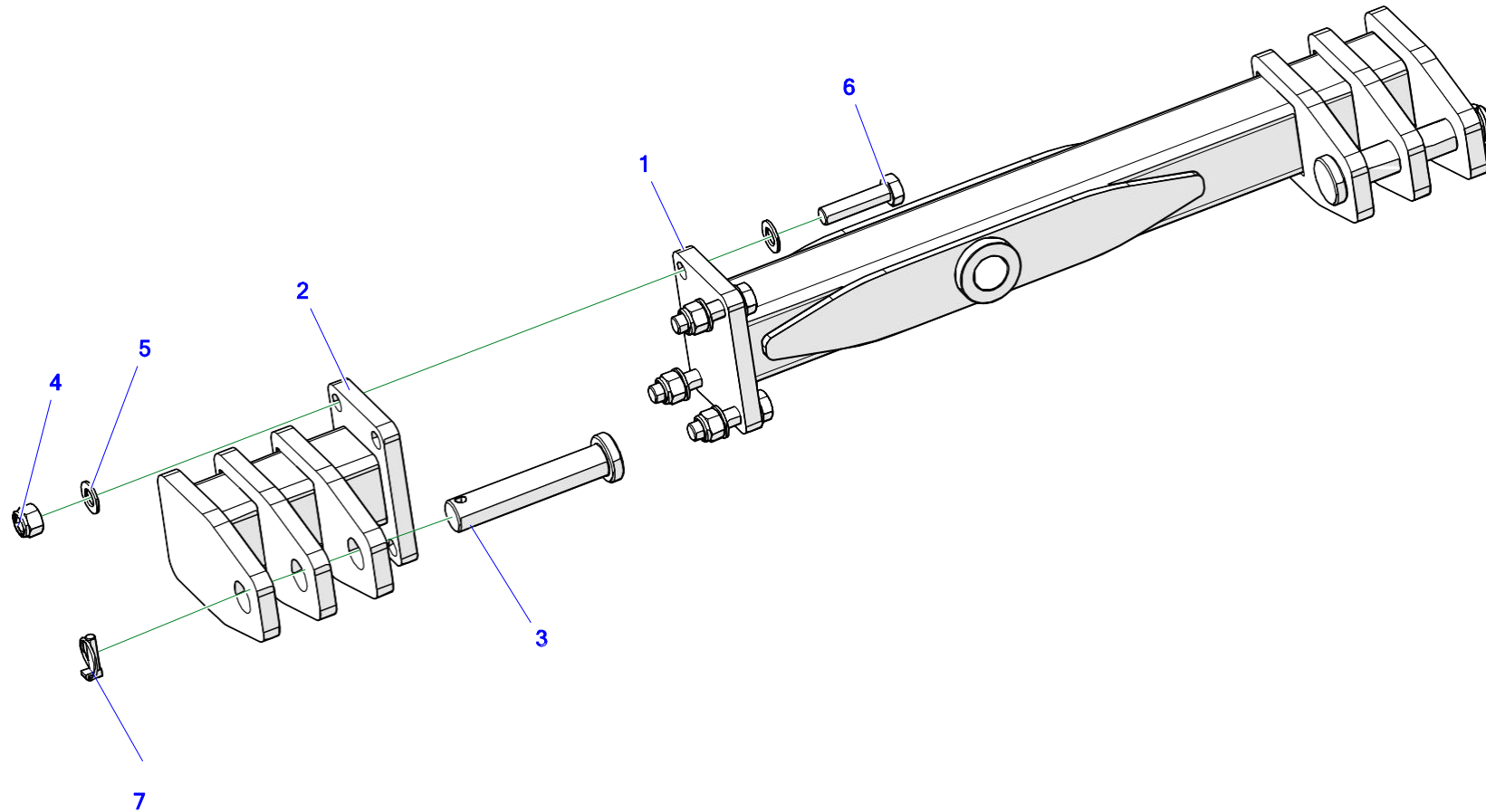


Table 16. Clevis main beam

No.	Index	Name	Qty.
1	U-710 28.01.00	Hitch beam 1	1
2	U-710 28.02.00	Hitch beam 2	1
3	U-710 28.00.01	Linkage rod pin	2
4	POD-ELZ-000368	Self locking nut, M20 x 1.5 galv.	4
5	23P20OOC	Round washer, dia. 20 galv., 82005 82005	8
6	23S20/80 10.9	Screw, 20 x 80 galv., 10.9 82101 82101	4
7	23PR11	Cotter pin w/ring, dia. 11	2

Table 17. Chassis frame

No.	Index	Name	Qty.
1	U-710 06.01.00	Chassis frame	1
1*	U-710/2 06.01.00	Chassis frame, HD	1
2	U-710 06.03.00	Fixture, hydraulic power pack	1
3	U-710 06.04.00	Fixture, hydraulic power pack III	1
4	U-710 06.05.00	Link piece, hydraulic power pack	1
5	U-710 06.06.00	Link bolt	1
6	U-710 06.07.00	Pin	1
7	U-710 06.02.01	Sheet metal plate	2
8	U-710 06.02.02	Pin V	3
9	U-710 06.02.03	Pin IV	3
10	U-710 06.00.08	Washer I	1
11	U-710 06.00.09	Pin II	1
11*	U-710/2 06.00.01	Truck pin, HD	1
12	U-710 06.00.10.1	Pin III	2
13	U-710 06.00.11	Washer II	2
14	POD-ELZ-000042-1	Self-locking nut, M30 galv., 82175	5
15	23P30OOC	Round washer, dia. 30 galv., 82005 82005	6
16	POD-ELZ-000397	Bolt, 14 x 110 galv., 8.8 82101	2
17	POD-ELZ-000383	Castellated nut, M48 grade 8 galv., DIN735	1

18	POD-ELZ-000389	Cotter pin, 8 x 100 galv.	1
19	POD-ELZ-000398	Spring pin, 10 x 60 DIN 1481	2
20	U-710 06.00.13	Sleeve, self-lubricating, 60H7-75-70	2
21	POD-ELZ-000042-1	Self-locking nut, M30 galv., 82175	1
22	POD-ELZ-000399	Self locking nut, M24 galv., 8 82175	3
23*	U-710/2 06.00.02	Truck spacer bushing, HD U-710/2 06.00.02	2

* Applies to the HD (heavy duty) chassis frame

18. WHEEL AXLE ASSY.

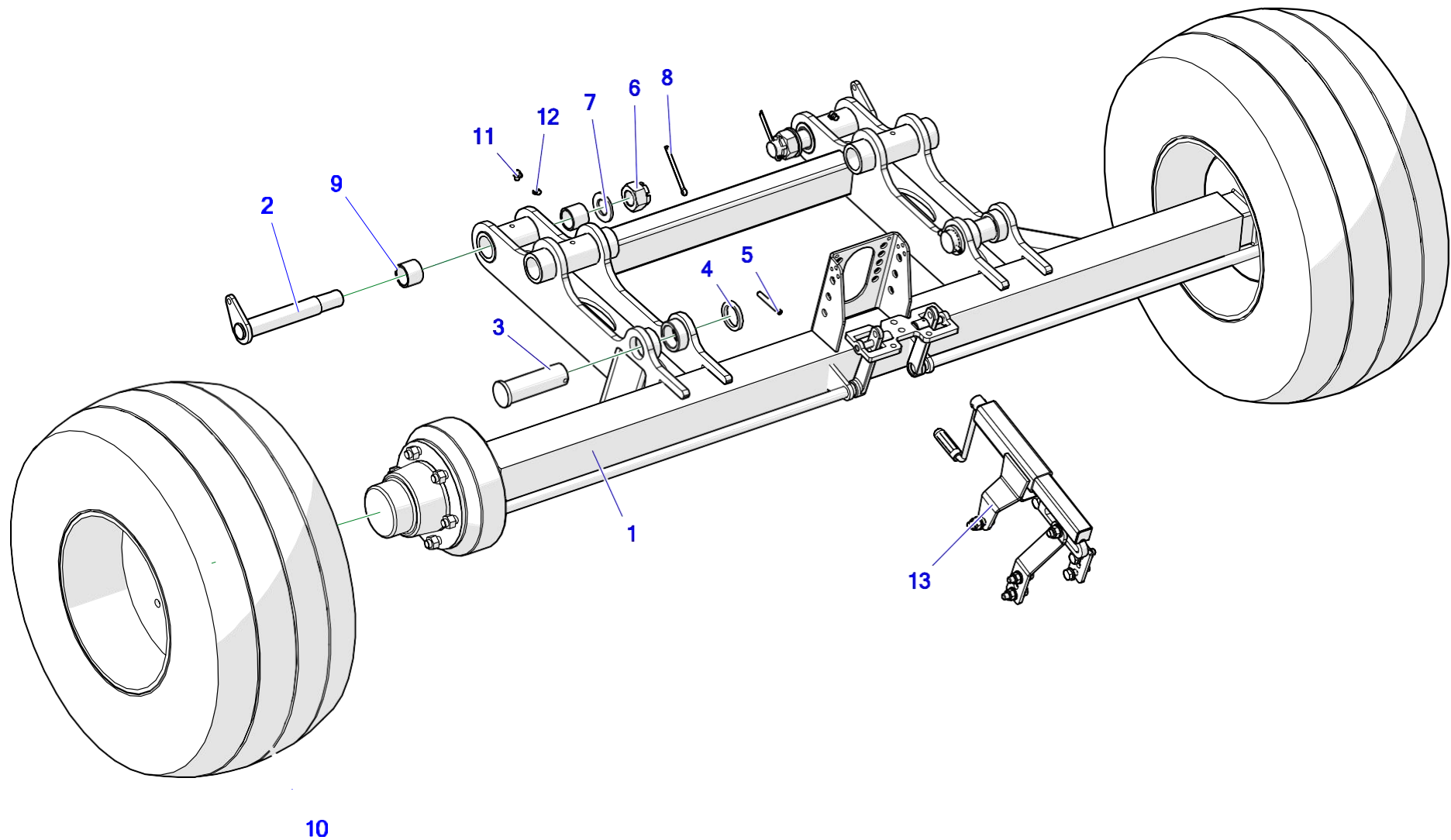


Table 18. Wheel axle assy.

No.	Index	Name	Qty.
1	U-710 07.01.00	Cultivator truck	1
2	U-710 07.04.00	Locking pin	2
3	U-710 07.00.03.1	Cylinder pin I	2
4	U-710 07.00.07	Pin washer	2
5	POD-ELZ-000350	Spring pin, 10 x 80 DIN 1481	2
6	POD-ELZ-000054-1	Castellated nut, M36 x 1.5 grade 8 DIN935	2
7	23P36OOC	Round washer, dia. 36, galv., 82005 82005	2
8	POD-ELZ-000389	Cotter pin, 8 x 100 galv.	2
9	25T40/50/40	Sleeve, self-lubricating, 40H8/50R7x40	4
10	POD-KOJ-000014	Wheel, 19.0/45-17 14PR IM-07	2
11	23SM10KAT90	Grease nipple, M10 x 1.0, 90 deg.	2
12	23KOC	Dust cap, red	2
13	U-710 07.00.00.HR	Hand brake assy.	1

19. PARKING BRAKE

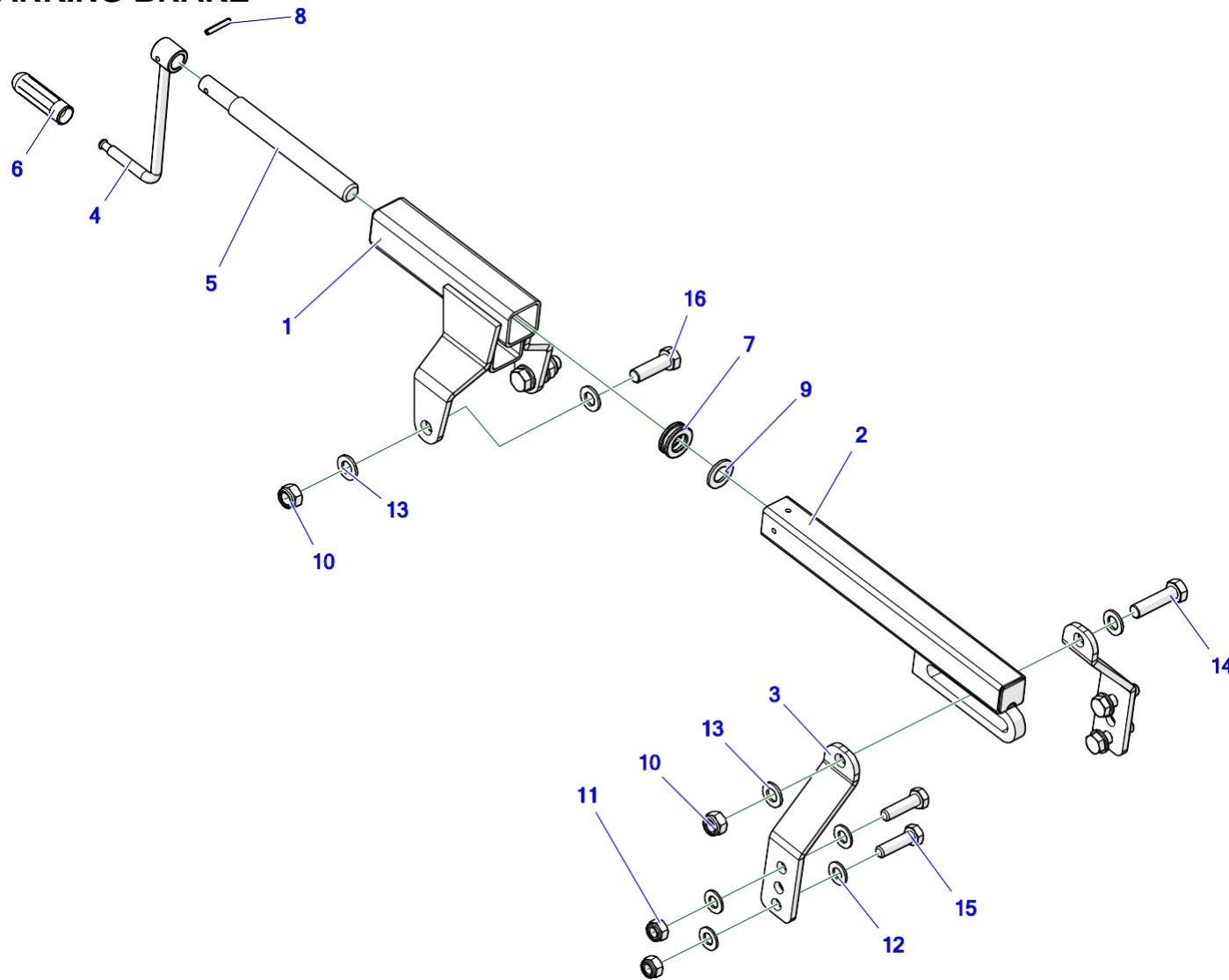


Table 19. Parking brake

No.	Index	Name	Qty.
1	U-710 07.05.00	Brake slider mount	1
2	U-710 07.06.00	Hand brake slider	1
3	U-710 07.00.08	Lever, hand brake	2
4	U910 11.03.00	Crank handle, hand brake operating	1
5	POD-ELZ-000514	Screw, trapezoid thread	1
6	25RP	Feeder handle	1
7	25L51204	Bearing, 51204	1
8	POD-ELZ-000537	Spring pin, 6 x 35 DIN 1481	1
9	23P20OOC	Round washer, dia. 20 galv., 82005 82005	1
10	23NS16OC	Self-locking nut, M16 galv., 82175 8 82175 8	3
11	23NS14OC	Self-locking nut M14 galv., 82175 8 82175 8	4
12	23P14OC	Round washer 14 galv., 82005 82005	8
13	23P16OOC	Round washer, dia. 16 galv., 82005 82005	6
14	23S16/60 8.8 82101 OC.	Bolt, 16 x 60 galv., 8.8 82101 82101	1
15	23S14/50 8.8 82105 OC.	Bolt, 14 x 50 galv., 8.8 82105 82105	4
16	23S16/50 8.8	Bolt, 16 x 50 galv., 8.8 82101 82101	2

20. SMOOTHING HARROW

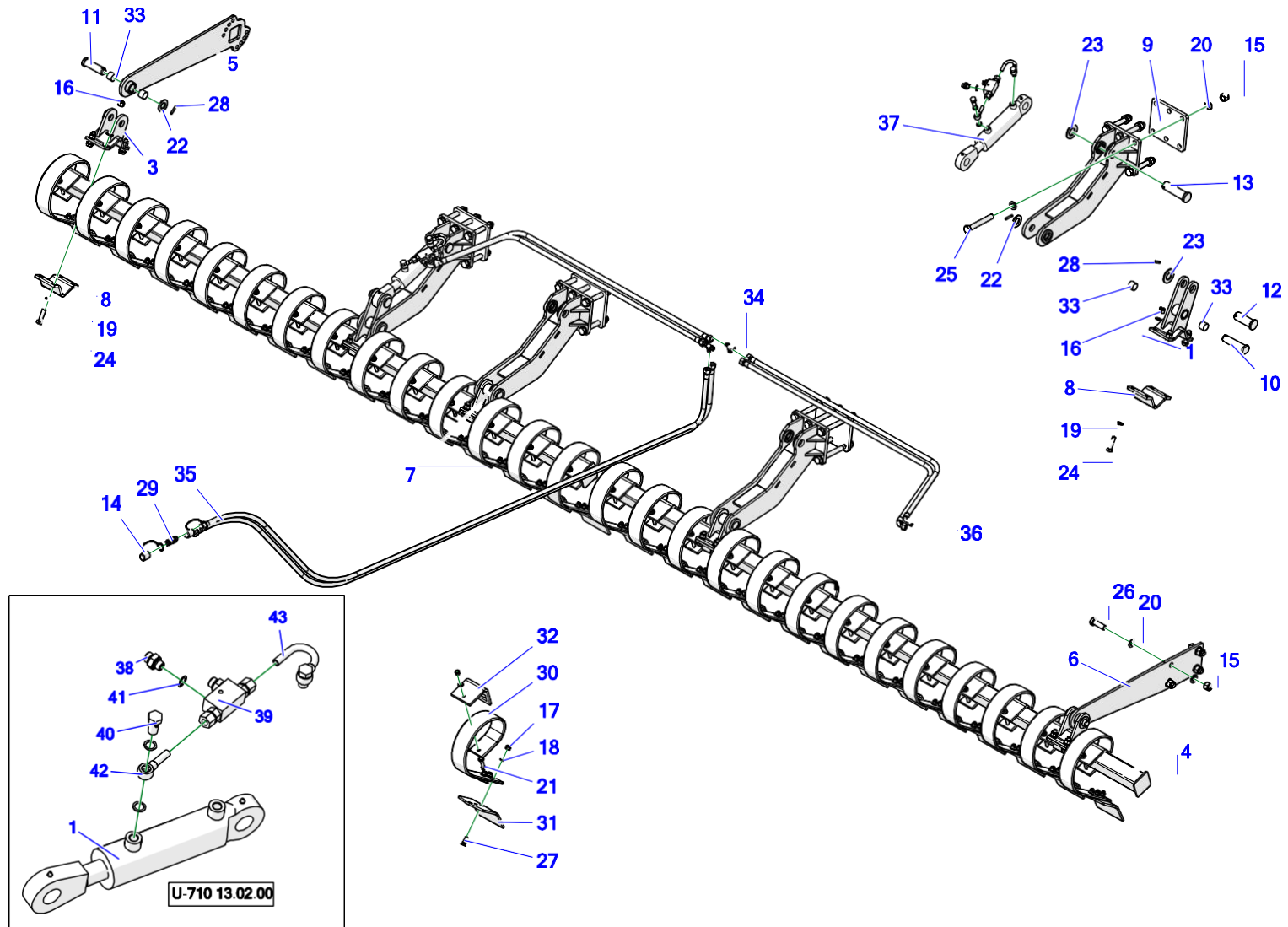


Table 20. Smoothing harrow

No.	U710 index	Qty. U710	U710/1 index	Qty. U710/1	U710/2 index	Qty. U710/2	Name
1	U-710 30.01.00	4	U-710 30.01.00	4	-	-	Smoothing harrow bracket
2	U-710 30.02.00	2	U-710 30.02.00	2	-	-	Bar mounting
3	U-710 30.03.00	2	U-710 30.03.00	2	-	-	Bar mounting, short
4	U-710 30.04.00	2	U-710 30.04.00	2	-	-	Smoothing harrow bar
5	U-710 30.05.00	1	U-710 30.05.00	1	-	-	Outward bracket, RH
6	U-710 30.06.00	1	U-710 30.06.00	1	-	-	Outward bracket, LH
7	U-710 30.07.00	2	U-710 30.07.00	2	-	-	Bar mounting, short
8	U-710 30.00.01	6	U-710 30.00.01	6	-	-	Canopy assy.
9	U-710 30.00.02	4	U-710 30.00.02	4	-	-	Mounting plate
10	U-710 30.00.03	4	U-710 30.00.03	4	-	-	Pin, dia. 30
11	U-710 30.00.04	2	U-710 30.00.04	2	-	-	Pin, dia. 30, short
12	U-710 30.00.05	2	U-710 30.00.05	2	-	-	Pin, dia. 35
13	U-710 02.00.05.1	2	U-710 02.00.05.1	2	-	-	Small cylinder pin I
14	24ZWNE13	2	24ZWNE13	2	-	-	Dust cap, EURO 13 valve plug (green, yellow, blue, red)
15	23NS20OC 82175	28	23NS20OC 82175	28	-	-	Self-locking nut, M20 galv., 82175 8 82175 8
16	23NS16OC	24	23NS16OC	24	-	-	Self-locking nut, M16 galv., 82175 8 82175 8
17	23NS12OC	112	23NS12OC	88	-	-	Self-locking nut, M12 galv., 82175 8 82175 8
18	23P12OC	140	23P12OC	100	-	-	Round washer, dia.12 galv., 82005

19	23P16OOC	48	23P16OOC	48	-	-	Round washer, dia. 16 galv., 82005 82005
20	23P20OOC	56	23P20OOC	56	-	-	Round washer, dia. 20 galv., 82005 82005
21	23S12/120OC	28	23S12/120OC	22	-	-	Bolt, 12 x 120 galv., 8.8 82101 82101
22	23P30OOC	6	23P30OOC	6	-	-	Round washer, dia. 30 galv., 82005 82005
23	23P36OOC	4	23P36OOC	4	-	-	Round washer, dia. 36, galv. 82005 82005
24	POD-ELZ-000733	24	POD-ELZ-000733	24	-	-	Bolt, 16x55 galv., 8.8 82101
25	POD-ELZ-000833	24	POD-ELZ-000833	24	-	-	Bolt, 20 x 150 galv., 8.8 82101
26	23S20/60 10.9	4	23S20/60 10.9	4	-	-	Bolt, 20 x 60 galv., 10.9 82101 82101
27	POD-ELZ-000393	84	POD-ELZ-000393	66	-	-	Carriage bolt, 12 x 40 galv., 8.8 82406
28	POD-ELZ-000540	10	POD-ELZ-000540	10	-	-	Spring pin, 8 x 40 DIN 1481
29	24ZWE13-M18X1,5	2	24ZWE13-M18X1,5	2	-	-	Plug valve, Euro 13, M18 x 1.5
30	POD-OGL-001018	28	POD-OGL-001018	22	-	-	Smoothing harrow spring, 80 x 10
31	POD-OGL-001017	28	POD-OGL-001017	22	-	-	Smoothing harrow plate, 150 x 08
32	POD-OGL-001016	28	POD-OGL-001016	22	-	-	Yoke, smoothing harrow spring, 80 x 10
33	POD-LOZ-000197	12	POD-LOZ-000197	12	-	-	Sleeve, GSM 3034 25
34	24KT18/18/18	2	24KT18/18/18	2	-	-	T-coupling, 18 x 18 x 18 12 L
35	AA/222/08/08 L-5500	2	AA/222/08/08 L-5500	2	-	-	Line, hydraulic, AA/222/08/08 L-5500
36	A90A/222/08 L-1700	4	A90A/222/08 L-1700	4	-	-	Line, hydraulic, A90A/222/08 L-1700
37	POD-HSL-000042	2	POD-HSL-000042	2	-	-	Cylinder, U710-63/36/100+KT2*L-312
38	24KP3-8 18	4	24KP3-8 18	4	-	-	Straight coupling, 3/8 x 18-1.5 12LR

39	POD-HZW-000038	2	POD-HZW-000038	2	-	-	Valve, twin check control, VBPDE 3/8" L 2 CEXC
40	24SO16/1.5	4	24SO16/1.5	4	-	-	Eye bolt, M16 x 1.5
41	24U16	12	24U16	12	-	-	Copper washer, dia.16 x 22 x 1.5
42	POD-HPR-000241	2	POD-HPR-000241	2	-	-	Banjo coupling, M16 L-25, Dwg. U-710 13.02.02
43	POD-HPR-000272	2	POD-HPR-000272	2	-	-	Banjo coupling M16 L-140 Dwg. U-710, bent

* Hydraulic lines are fitted with POD-HPR-000686 – Kit No. 30-4, U710 smoothing harrow

21. PIPE PACKER

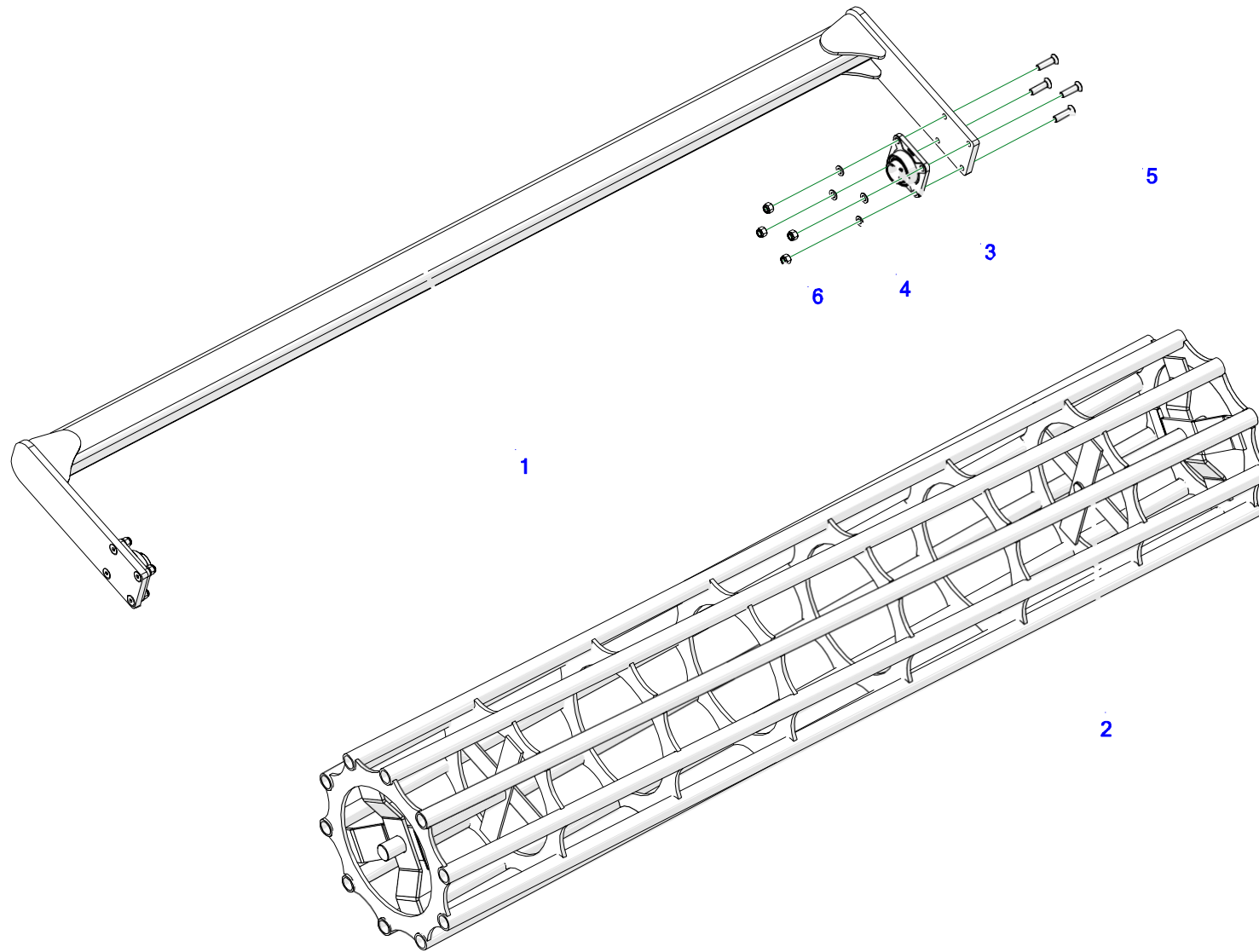


Table 21. Pipe packer

No.	U710 index	Qty. U710	U710/1 index	Qty. U710/1	U710/2 index	Qty. U710/2	Name
1	U-710 04.01.00	1	U-710/1 04.01.00	1	U786/1 04.01.00	1	Packer hitch * 3.5 m packer frame
2	U-710 04.02.00	1	U-710/1 04.02.00	1	U786/1 04.02.00	1	Pipe packer
3	POD-LOZ-000244	2	POD-LOZ-000244	2	POD-LOZ- 000244	2	Bearing assy., FY 50 TR
4	23P16OOC	8	23P16OOC	8	23P16OOC	8	Round washer, dia. 16 galv., 82005 82005
5	POD-ELZ-000693	8	POD-ELZ-000693	8	POD-ELZ-000693	8	Allen bolt, countersunk, 16 x 60 galv., 10.9 DIN7991
6	23NS16OC	8	23NS16OC	8	23NS16OC	8	Self-locking nut, M16 galv., 82175 8 82175 8

* Name refers to U786/1 04.01.00

22. STRING ROLLER

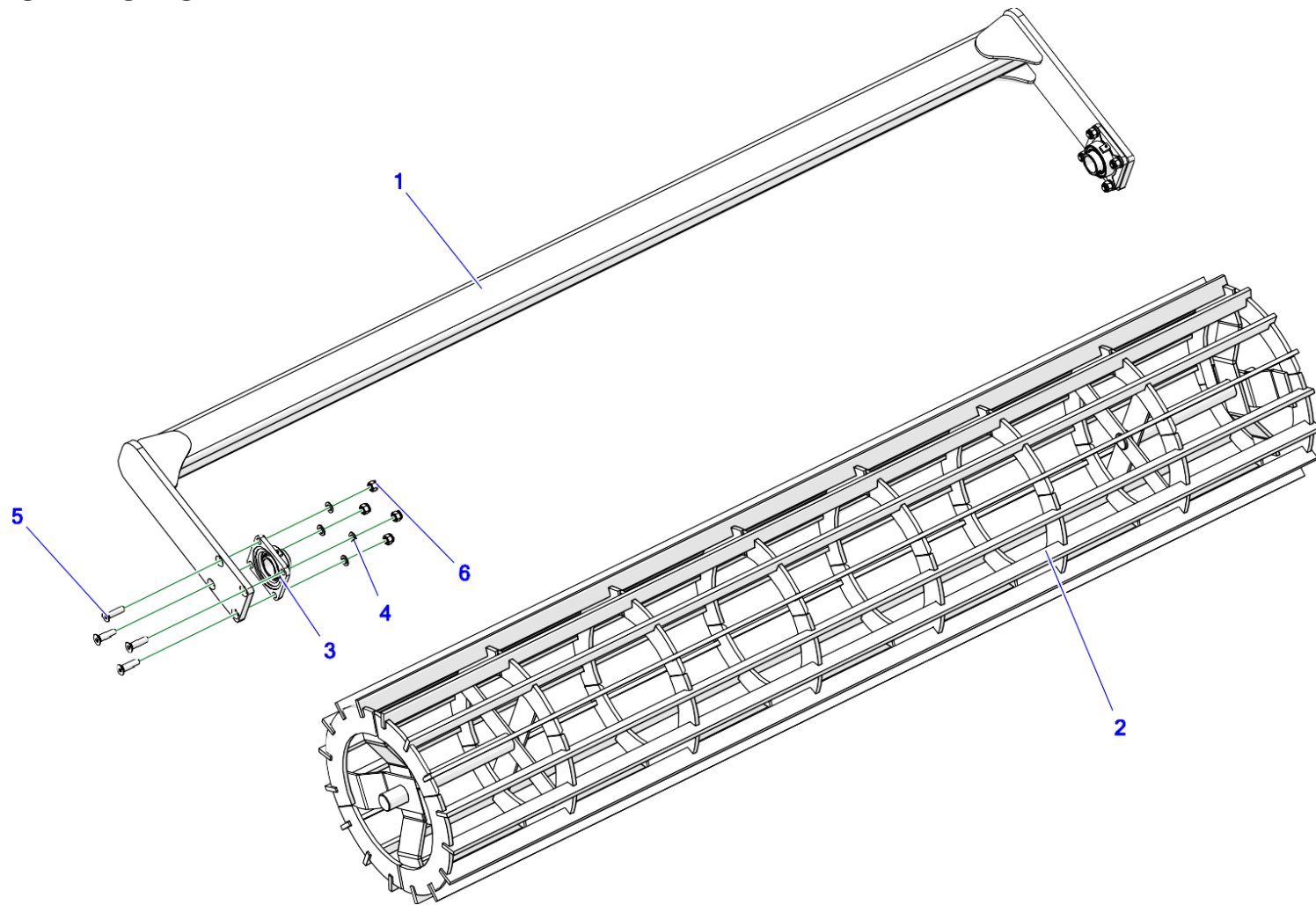


Table 22. String roller

No.	U710 index	Qty. U710	U710/1 index	Qty. U710/1	U710/2 index	Qty. U710/2	Name
1	U-710 04.01.00	1	U-710/1 04.01.00	1	-	-	Packer hitch
2	U-740 18.01.00	1	U-710/1 18.01.00	1	-	-	String roller
3	POD-LOZ-000244	2	POD-LOZ-000244	2	-	-	Bearing assy., FY 50 TR
4	23P16OOC	8	23P16OOC	8	-	-	Round washer, dia. 16 galv., 82005 82005
5	POD-ELZ-000693	8	POD-ELZ-000693	8	-	-	Allen bolt, countersunk, 16 x 60 galv., 10.9 DIN7991
6	23NS16OC	8	23NS16OC	8	-	-	Self locking nut, M16 galv., 82175 8 82175 8

23. TYPE DD HEAVY ROLLER

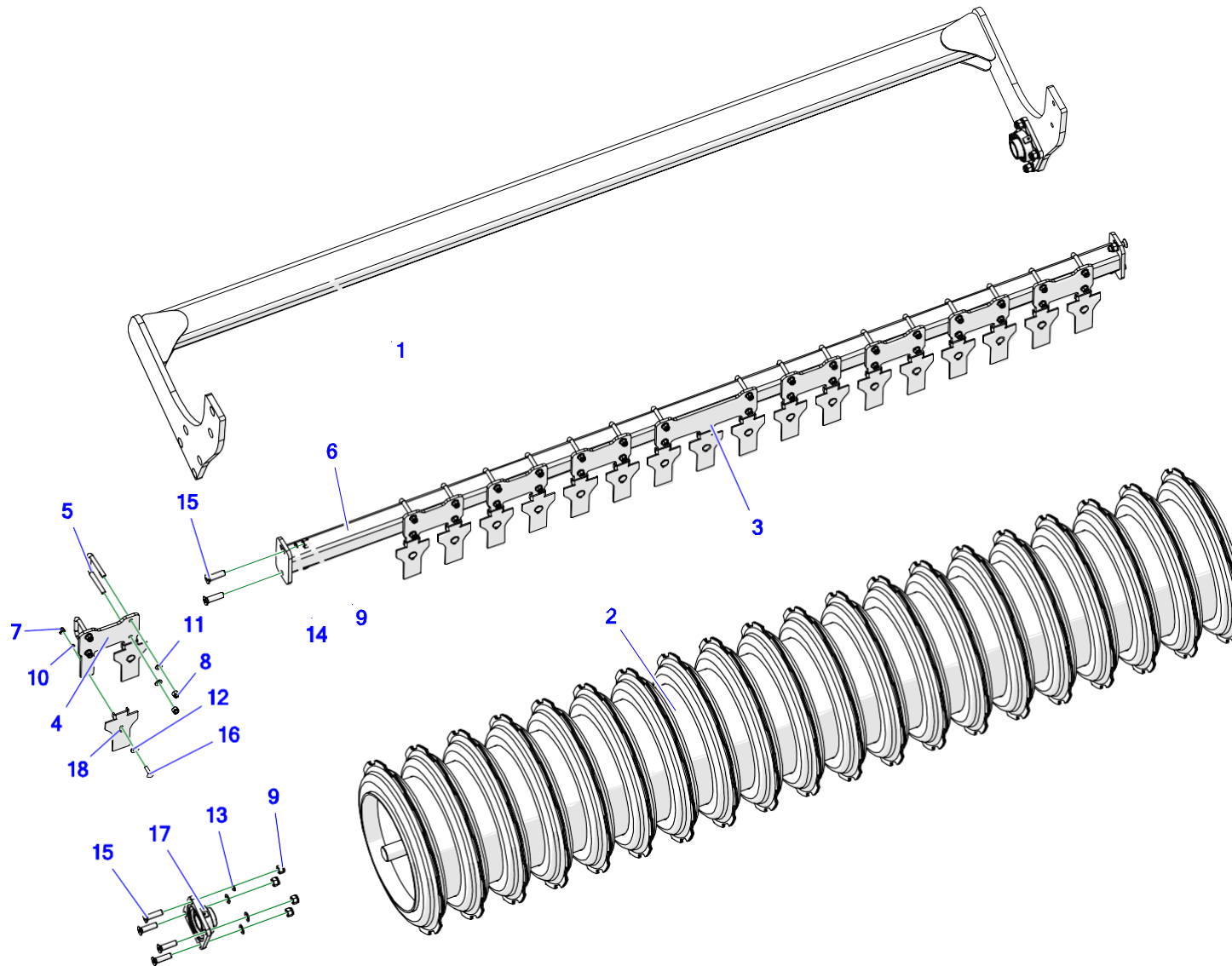


Table 23. Type DD heavy roller

No.	U710 index	Qty. U710	U710/1 index	Qty. U710/1	U710/2 index	Qty. U710/2	Name
1	U-740 17.01.00	1	U-710/1 17.01.00	1	-	-	D-D Shaft frame
2	U-740 17.02.00	1	U-710/ 17.02.00	1	-	-	D-D roller
3	U-740 17.00.01	1	-	-	-	-	Scraper bracket
4	U-740 17.00.02	8	U-740 17.00.02	7	-	-	Scraper bracket II
5	U-710/1 14.00.08	18	U-710/1 14.00.08	14	-	-	Clamp
6	U490 02.03.00	1	U-710/1 17.03.00	1	-	-	Scraper tube assy. *2.25 m scraper bar
7	23NS10OC	19	23NS10OC	14	-	-	Self-locking nut, M10 galv., 82175 8 82175 8
8	23NS12OC	36	23NS12OC	28	-	-	Self-locking nut, M12 galv., 82175 8 82175 8
9	23NS16OC	12	23NS16OC	12	-	-	Self-locking nut, M16 galv., 82175 8 82175 8
10	23P10 82005	19	23P10 82005	14	-	-	Round washer, dia. 10 galv., 82005 82005
11	23P12OC	36	23P12OC	28	-	-	Round washer, dia.12 galv., 82005
12	23P14OC	19	23P14OC	14	-	-	Round washer, dia. 14 galv., 82005 82005
13	23P16OOC	8	23P16OOC	8	-	-	Round washer, dia. 16 galv., 82005 82005
14	POD-ELZ-000705	4	POD-ELZ-000705	4	-	-	Toothed washer, fem. dia. 16 galv., DIN 6798A
15	POD-ELZ-000693	12	POD-ELZ-000693	12	-	-	Allen bolt, countersunk, 16 x 60 galv., 10.9 DIN7991
16	POD-ELZ-000084	19	POD-ELZ-000084	14	-	-	Carriage bolt, 10 x 35 galv., 8.8 82406
17	POD-LOZ-000244	2	POD-LOZ-000244	2	-	-	Bearing assy., FY 50 TR
18	POD-OGL-000724	19	POD-OGL-000724	14	-	-	Scraper

* Name refers to U-710/1 02.02.00

24. WHEEL & TYRE PACKER

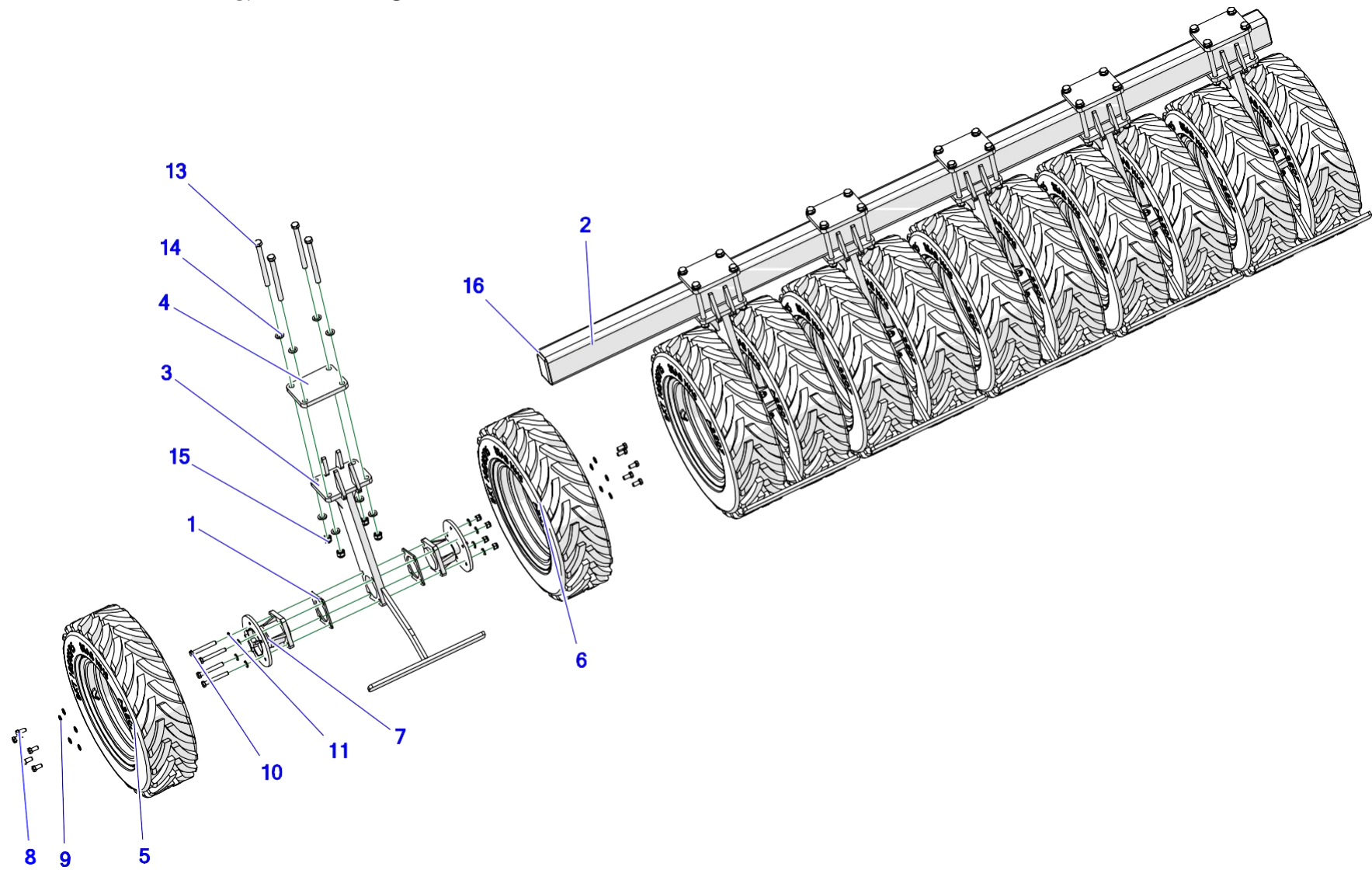


Table 24. Wheel & tyre packer

No.	U710 index	Qty. U710	U710/1 index	Qty. U710/1	U710/2 index	Qty. U710/2	Name
1	U-740 16.00.01	12	U-740 16.00.01	10	-	-	Wheel hub spacer
2	U-740 16.00.02	1	U-710/1 16.00.01	1	-	-	Bracket mounting bar
3	U-740 16.01.00	6	U-740 16.01.00	5	-	-	Wheel bracket
4	U-710 02.05.02M	6	U-710 02.05.02M	5	-	-	Packer mounting plate II
5	POD-KOL-000037	6	POD-KOL-000037	5	-	-	Wheel, tyre packer, LH
6	POD-KOL-000038	6	POD-KOL-000038	5	-	-	Wheel, tyre packer, RH
7	POD-KOS-000174	12	POD-KOS-000174	10	-	-	Hub, wheel & tyre packer
8	POD-ELZ-000689	60	POD-ELZ-000689	50	-	-	Bolt, 12 x 25 galv., 10.9 82105
9	POD-ELZ-000690	60	POD-ELZ-000690	50	-	-	Spring washer, dia. 12, for 12 wheels DIN 74361 C
10	23S12/90 101OC	24	23S12/90 101OC	20	-	-	Bolt, 12 x 90 galv., 8.8 82101 82101
11	23P12OC	48	23P12OC	40	-	-	Round washer, dia.12 galv., 82005
12	23NS12OC	24	23NS12OC	20	-	-	Self-locking nut, M12 galv., 82175 8 82175 8
13	POD-ELZ-000385	24	POD-ELZ-000385	20	-	-	Bolt, 30 x 150 galv., 10.9 82101
14	23P16OOC	48	23P16OOC	40	-	-	Round washer, dia. 16 galv. 82005 82005
15	23NS16OC	24	23NS16OC	20	-	-	Self-locking nut, M16 galv., 82175 8 82175 8
16	POD-TSZ-000173	2	POD-TSZ-000173	2	-	-	Plug, square male, 110 x 70 mm, black (Es-057815069903)

25. PACKER ROLLER

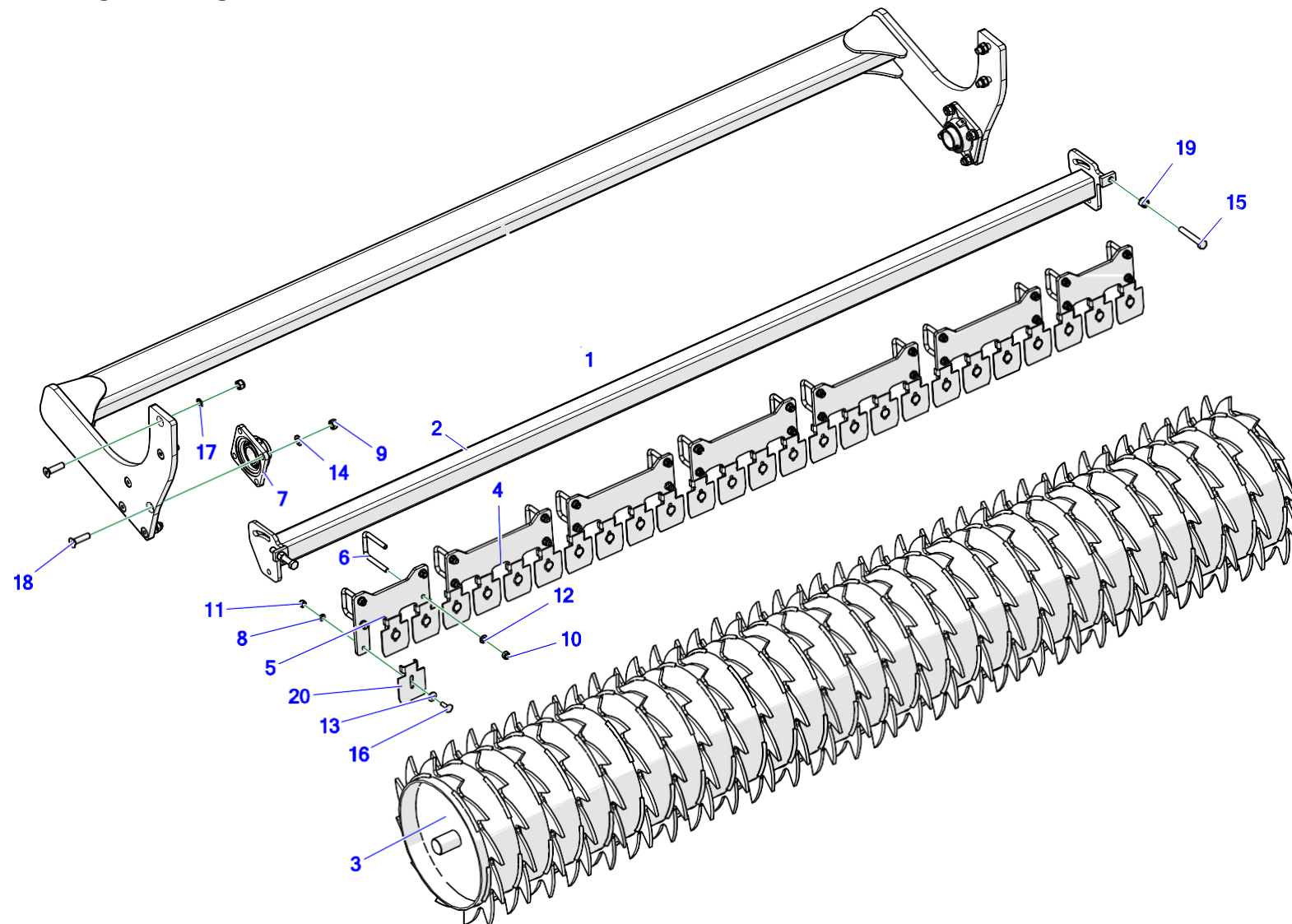


Table 25. Packer roller

No.	U710 index	Qty. U710	U710/1 index	Qty. U710/1	U710/2 index	Qty. U710/2	Name
1	U-740 17.01.00	1	U-710/1 17.01.00	1	-	-	D-D roller frame
2	U-710 26.02.00	1	U-710/1 26.02.00	1	-	-	Scraper bar, packer roller, dia. 400 mm
3	U-710 26.01.00	1	U-710/1 26.01.00	1	-	-	Packer roller, dia. 400 mm
4	U-710 26.00.02	5	U-710 26.00.02	4	-	-	Scraper mount 2
5	U-710 26.00.01	2	U-710 26.00.01	1	-	-	Scraper mount 1
6	U-710/1 14.00.08	14	U-710/1 14.00.08	10	-	-	Clamp
7	POD-LOZ-000244	2	POD-LOZ-000244	2	-	-	Bearing assy., FY 50 TR
8	23P10OOC	26	23P10OOC	19	-	-	Round washer, dia. 10 BS, 82005 82005
9	23NS16OC	12	23NS16OC	12	-	-	Self-locking nut, M16 galv., 82175 8 82175 8 8
10	23NS12OC	28	23NS12OC	20	-	-	Self-locking nut, M12 galv., 82175 8 82175 8
11	23NS10OC	26	23NS10OC	19	-	-	Self-locking nut, M10 galv., 82175 8 82175 8
12	23P12OC	28	23P12OC	20	-	-	Round washer, dia.12 galv., 82005
13	23P14OC	26	23P14OC	19	-	-	Round washer, dia. 14 galv., 82005 82005
14	23P16OOC	8	23P16OOC	8	-	-	Round washer, dia. 16 galv., 82005 82005
15	23S16/100OC 8.8	2	23S16/70	2	-	-	Screw, 16 x 70 galv., 8.8 82101 82101
16	POD-ELZ-000084	26	POD-ELZ-000084	19	-	-	Carriage bolt, 10 x 35 galv., 8.8 82406
17	POD-ELZ-000705	4	POD-ELZ-000705	4	-	-	Toothed washer, fem. dia. 16 galv., DIN 6798A
18	POD-ELZ-000693	12	POD-ELZ-000693	12	-	-	Allen bolt, countersunk, 16 x 60 galv., 10.9 DIN7991
19	23N16OC	2	23N16OC	2	-	-	Nut, M16 galv., 8.8 82144 5 82144 5
20	POD-OGL-000788	26	POD-OGL-000788	19	-	-	Cleaning plate, packer roller

26. U-BOX PACKER

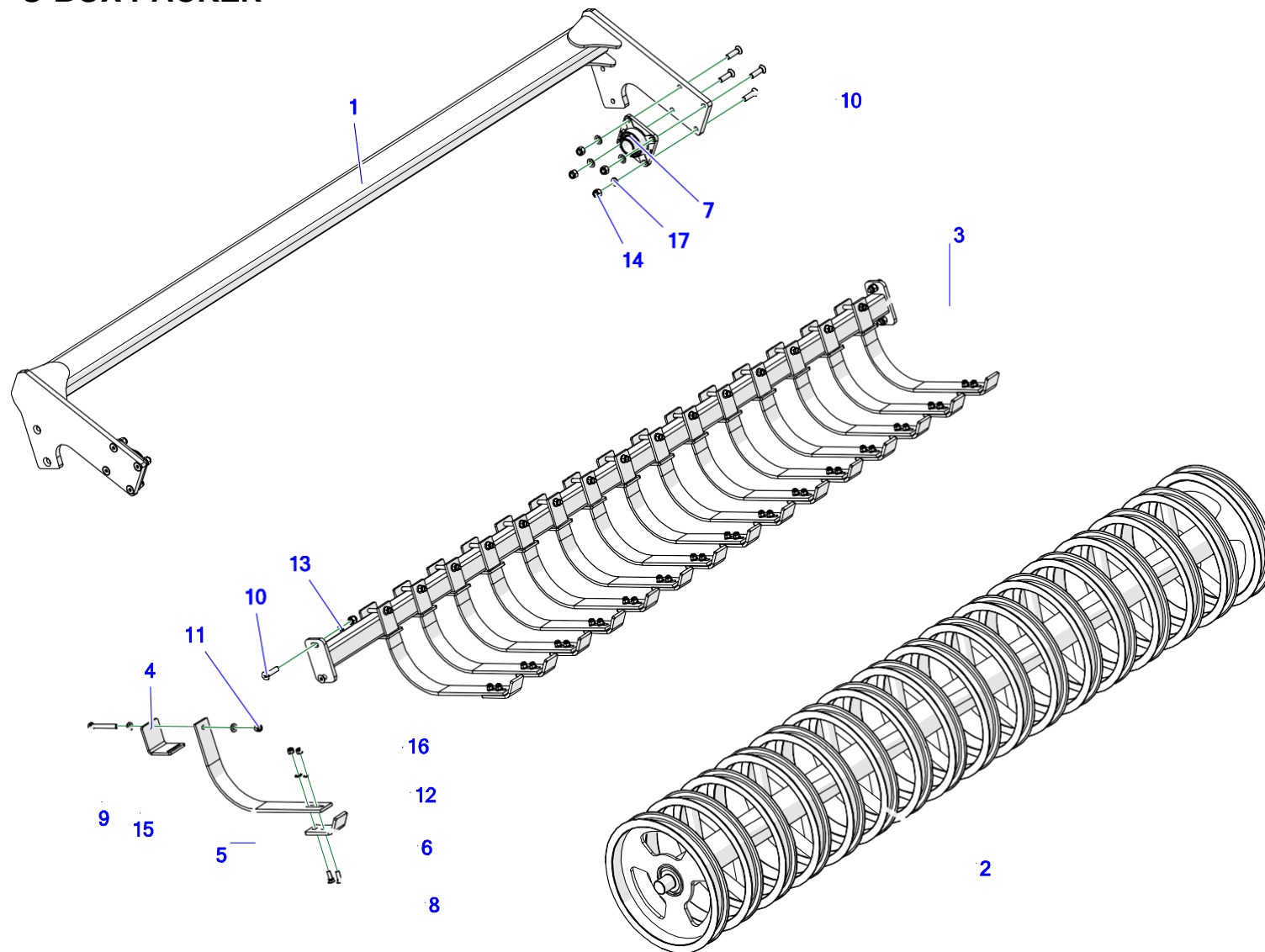


Table 26. U-box packer

No	U710 index	Qty. U710	U710/1 index	Qty. U710/1	U710/2 index	Qty. U710/2	Name
1	U-740 05.02.00.1	1	U-710/1 05.02.00.1	1	U786/1 05.01.00	1	U-box packer frame
2	U-740 05.01.00	1	U-710/1 05.01.00	1	U490/1 02.03.00	2	Packer
3	U490 02.03.00	1	U-710/1 17.03.00	1	U490/1 02.02.00	2	Scraper tube assy. *2.25 m scraper bar
4	U-740 05.00.01	16	U-740 05.00.01	12	U-740 05.00.01	18	Spring mount
5	POD-EOS-000371	16	POD-EOS-000371	12	U-740 05.00.01	18	Boom, smoothing harrow
6	POD-OGL-000544	16	POD-OGL-000544	12	POD-OGL-000544	18	Point, Tabo
7	POD-LOZ-000244	2	POD-LOZ-000244	2	POD-LOZ-000244	4	Bearing assy., FY 50 TR
8	POD-ELZ-000647	32	POD-ELZ-000647	24	POD-ELZ-000647	36	Plough bolt, 12 x 40 BS, 8.8 82402
9	POD-ELZ-000635	16	POD-ELZ-000635	12	POD-ELZ-000635	18	Bolt, 14 x 120 galv., 10.9 82101
10	POD-ELZ-000693	12	POD-ELZ-000693	12	POD-ELZ-000693	12	Allen bolt, countersunk, 16 x 60 galv., 10.9 DIN7991
11	23NS14OC	16	23NS14OC	12	23NS14OC	18	Self-locking nut, M14 galv., 82175 8 82175 8
12	23P12OC	32	23P12OC	24	23P12OC	36	Round washer, dia.12 galv., 82005
13	POD-ELZ-000705	4	POD-ELZ-000705	4	POD-ELZ-000705	4	Toothed washer, fem. dia. 16 galv., DIN 6798A
14	23NS16OC	12	23NS16OC	12	23NS16OC	16	Self-locking nut, M16 galv., 82175 8 82175 8
15	23P14OC	32	23P14OC	24	23P14OC	36	Round washer, dia. 14 galv., 82005 82005
16	23NS12OC	32	23NS12OC	24	23NS12OC	36	Self-locking nut, M12 galv., 82175 8 82175 8
17	23P16OOC	8	23P16OOC	8	23P16OOC	16	Round washer, dia. 16 galv., 82005 82005
18	-	-	-	-	23S16/70	4	Screw, 16 x 70 galv., 8.8 82101 82101

*Name refers to U-710/1 17.03.00

27. DOUBLE U-BOX PACKER

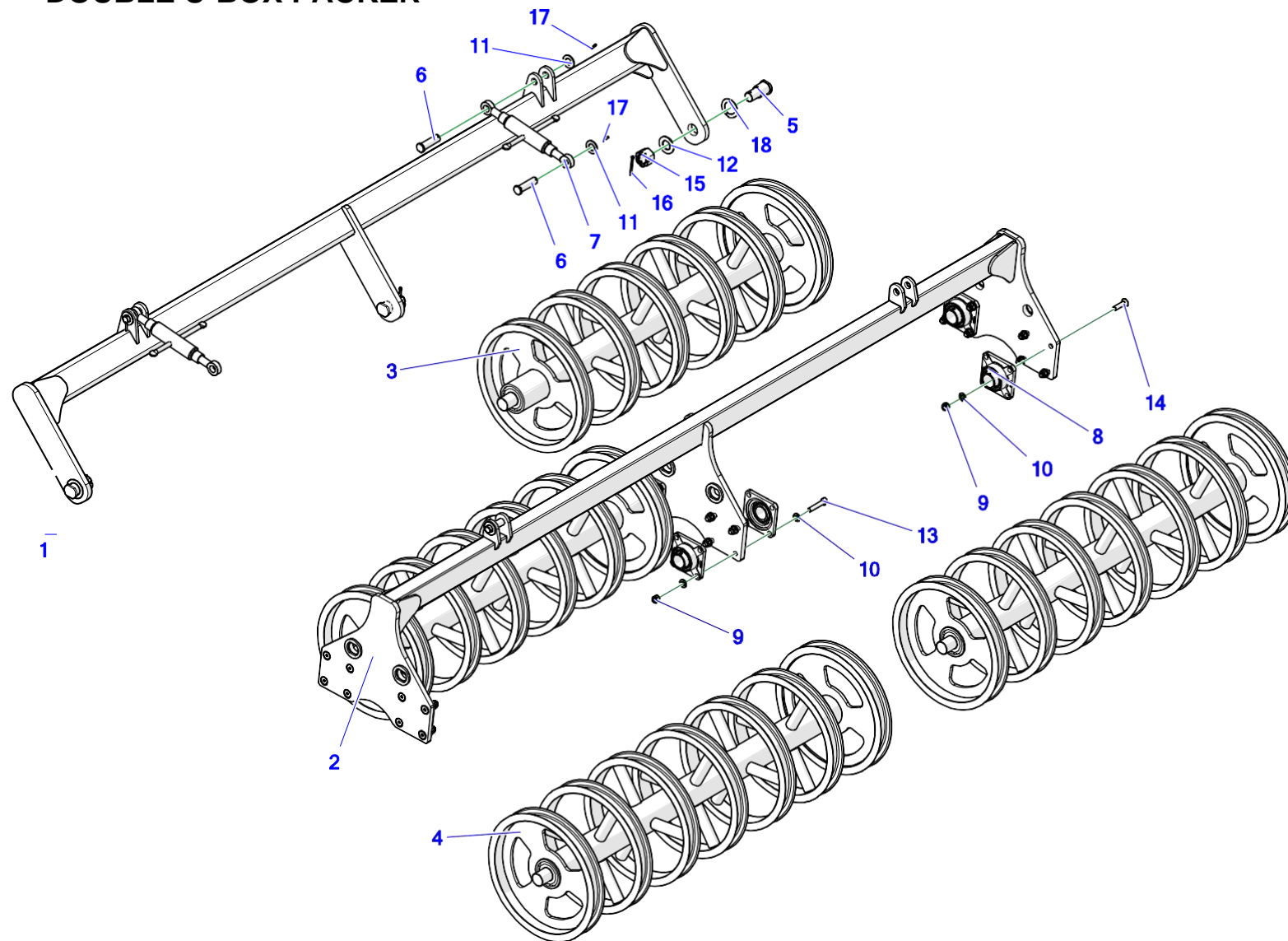


Table 27. Double U-box packer

No.	U710 index	U710 qty.	U710/1 index	U710/1 qty.	U710/2 index	U710/2 qty.	Name
1	U-740 05.05.00	1	U-710/1 05.05.00	1	U-710/2 10.01.00	1	Frame, U-box packer 1
2	U-740 05.06.00	1	U-710/1 05.06.00	1	U-710/2 10.02.00	1	Frame, U-box packer 2
3	U-740 05.03.00	1	U-710/1 05.03.00	1	U-710/2 10.03.00	2	Packer 1, double U-box
4	U-740 05.04.00	1	U-710/1 05.04.00	1	U-710/2 10.04.00	2	Packer 2, double U-box
5	U-740 05.00.02	2	U-740 05.00.02	2	U-740 05.00.02	3	Pin, packer frame
6	U-740 05.00.03	4	U-740 05.00.03	4	U-740 05.00.03	4	Link pin 1
7	POD-OGL-001302	2	POD-OGL-001302	2	POD-OGL-001302	2	Top link, 355-490 mm, 25.7 x 25.7 mm Mizar 19549
8	POD-LOZ-000244	4	POD-LOZ-000244	4	POD-LOZ-000244	8	Bearing assy., FY 50 TR
9	23NS16OC	16	23NS16OC	16	23NS16OC	24	Self-locking nut, M16 galv., 82175 8 82175 8
10	23P16OOC	16	23P16OOC	16	23P16OOC	32	Round washer, dia. 16 galv., 82005 82005
11	23P27OC	4	23P27OC	4	23P27OC	4	Round washer, dia. 27 galv., 82005 82005
12	23P36OOC	2	23P36OOC	2	23P36OOC	3	Round washer, dia. 36, galv., 82005 82005
13	-	-	-	-	23S16/80OC 8.8	8	Bolt, 16 x 80 galv., 8.8 82101 82101
14	POD-ELZ-000693	16	POD-ELZ-000693	16	POD-ELZ-000693	16	Allen bolt, countersunk, 16 x 60 galv., 10.9 DIN7991
15	POD-ELZ-000382	2	POD-ELZ-000382	2	POD-ELZ-000382	3	Castellated nut, M36 grade 8 galv.
16	23Z6.3/71OC	2	23Z6.3/71OC	2	23Z6.3/71OC	3	Cotter pin, 6.3 x 71, galv.
17	23K6/32	4	23K6/32	4	23K6/32	4	Spring pin, 6 x 32 DIN 1481
18	POD-LOZ-000262	2	POD-LOZ-000262	2	POD-LOZ-000262	2	Washer, GTM-4874-020

28. V-RING PACKER

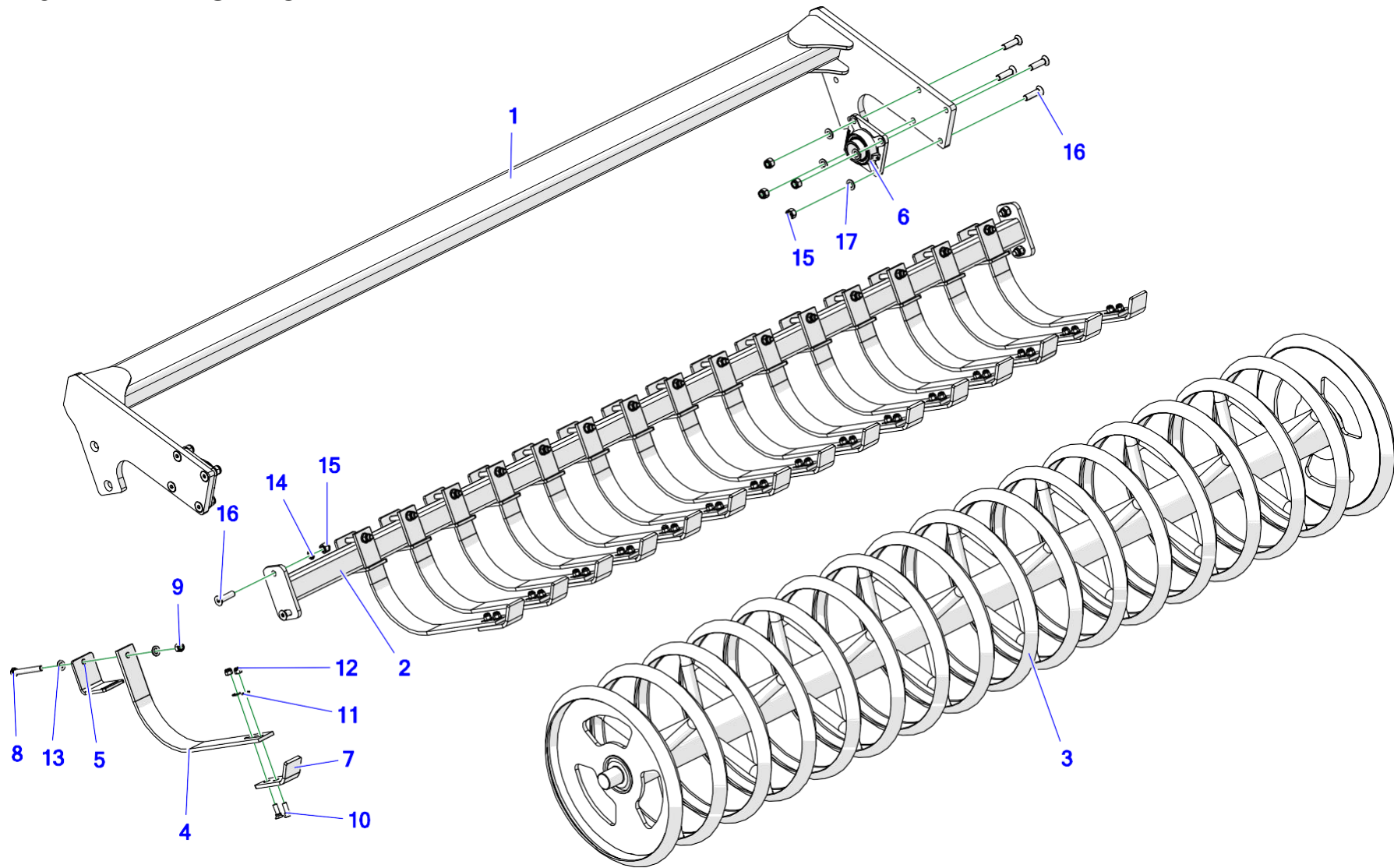


Table 28. V-ring packer

No.	U710 index	Qty. U710	U710/1 index	Qty. U710/1	U710/2 index	Qty. U710/2	Name
1	U-740 05.02.00.1	1	U-710/1 05.02.00.1	1	-	-	U-box packer frame
2	U490 02.03.00	1	U-710/1 17.03.00	1	-	-	Scraper tube assy. *2.25 m packer scraper bar
3	U-740 15.01.00	1	U-710/1 15.01.00	1	-	-	Packer
4	POD-EOS-000371	16	POD-EOS-000371	12	-	-	Boom, smoothing harrow
5	U-740 05.00.01	16	U-740 05.00.01	12	-	-	Spring mount
6	POD-LOZ-000244	2	POD-LOZ-000244	2	-	-	Bearing assy., FY 50 TR
7	POD-OGL-000544	16	POD-OGL-000544	12	-	-	Point, Tabo
8	POD-ELZ-000635	16	POD-ELZ-000635	12	-	-	Bolt, 14 x 120 galv., 10.9 82101
9	23NS14OC	16	23NS14OC	12	-	-	Self-locking nut, M14 galv., 82175 8 82175 8
10	POD-ELZ-000647	32	POD-ELZ-000647	24	-	-	Plough bolt, 12 x 40 BS, 8.8 82402
11	23P12OC	32	23P12OC	24	-	-	Round washer, dia.12 galv., 82005
12	23NS12OC	32	23NS12OC	24	-	-	Self-locking nut, M12 galv., 82175 8 82175 8
13	23P14OC	32	23P14OC	24	-	-	Round washer, dia. 14 galv., 82005 82005
14	POD-ELZ-000705	4	POD-ELZ-000705	4	-	-	Toothed washer, fem. dia. 16 galv., DIN 6798A
15	23NS16OC	12	23NS16OC	12	-	-	Self-locking nut, M16 galv., 82175 8 82175 8
16	POD-ELZ-000693	12	POD-ELZ-000693	12	-	-	Allen bolt, countersunk, 16 x 60 galv., 10.9 DIN7991
17	23P16OOC	8	23P16OOC	8	-	-	Round washer, dia. 16 galv., 82005 82005

* Name refers to U-710/1 17.03.00

29. FLEX SPRING PACKER

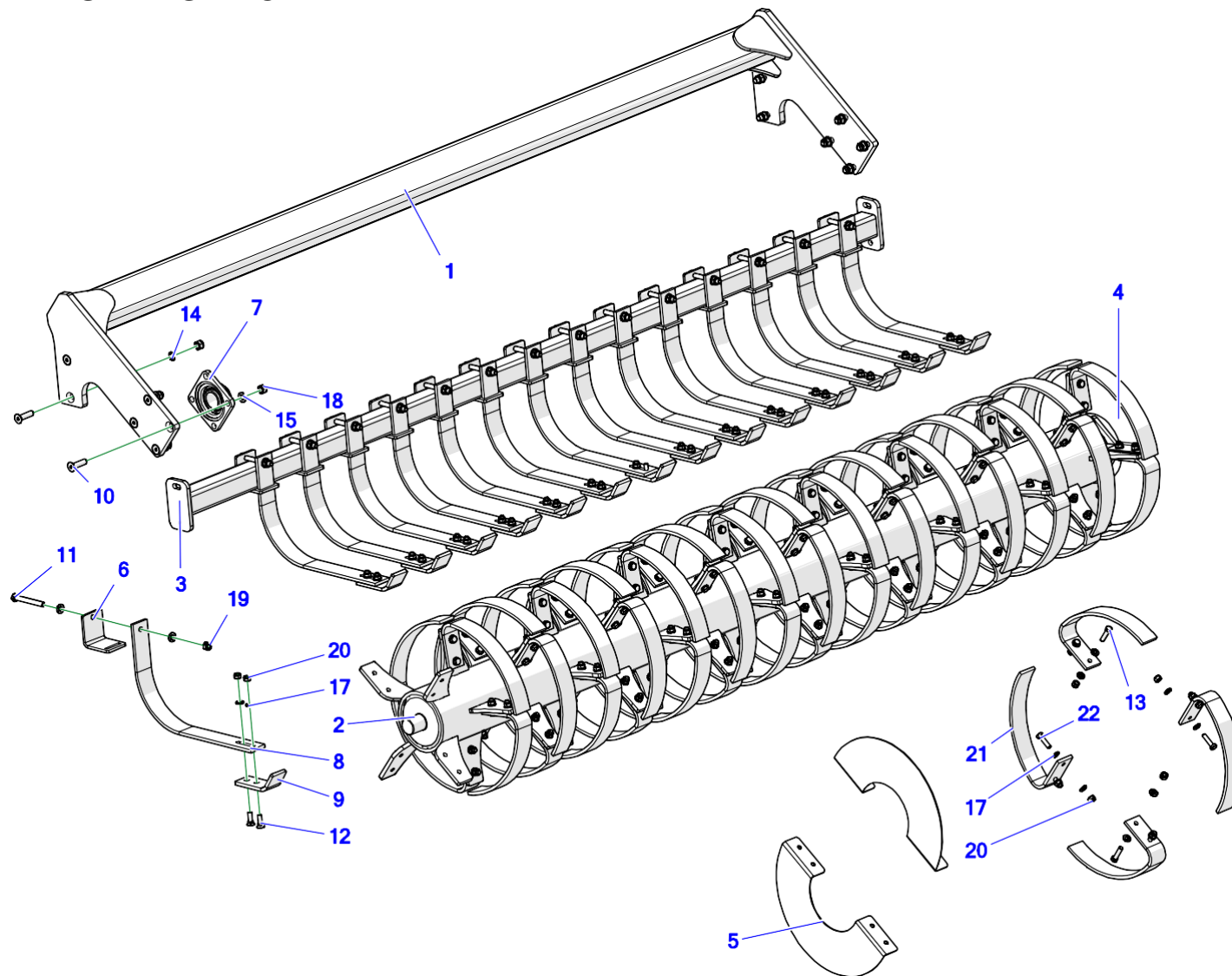


Table 29. Flex spring packer

No.	U710 index	Qty. U710	U710/1 index	Qty. U710/1	U710/2 index	Qty. U710/2	Name
1	U-740 05.02.00.1	1	U-710/1 05.02.00.1	1	-	-	U-box packer frame
2	U-740 04.01.00	1	U-710/1 07.01.00	1	-	-	Packer
3	U490 02.03.00	1	U-710/1 17.03.00	1	-	-	Scraper tube assy. *2.25 m scraper bar
4	U-740 04.00.01	2	U-740 04.00.01	2	-	-	Guard 1
5	U-740 04.00.02	2	U-740 04.00.02	2	-	-	Guard 2
6	U-740 05.00.01	15	U-740 05.00.01	11	-	-	Spring mount
7	POD-LOZ-000244	2	POD-LOZ-000244	2	-	-	Bearing assy., FY 50 TR
8	POD-EOS-000371	15	POD-EOS-000371	11	-	-	Boom, smoothing harrow
9	POD-OGL-000544	15	POD-OGL-000544	11	-	-	Point, Tabo
10	POD-ELZ-000693	12	POD-ELZ-000693	12	-	-	Allen bolt, countersunk, 16 x 60 galv., 10.9 DIN7991
11	POD-ELZ-000635	15	POD-ELZ-000635	11	-	-	Bolt, 14 x 120 galv., 10.9 82101
12	POD-ELZ-000647	30	POD-ELZ-000647	22	-	-	Plough bolt, 12 x 40 BS, 8.8 82402
13	23S12/50OC 8.8	8	23S12/50OC 8.8	8	-	-	Bolt, 12 x 50 galv., 8.8 82101 82101
14	POD-ELZ-000705	4	POD-ELZ-000705	4	-	-	Toothed washer, fem. dia. 16 galv., DIN 6798A
15	23P16OOC	8	23P16OOC	8	-	-	Round washer, dia. 16 galv., 82005 82005
16	23P14OC	30	23P14OC	22	-	-	Round washer, dia. 14 galv., 82005 82005
17	23P12OC	286	23P12OC	214	-	-	Round washer, dia.12 galv., 82005
18	23NS16OC	12	23NS16OC	12	-	-	Self-locking nut, M16 galv., 82175 8 82175 8

19	23NS14OC	15	23NS14OC	11	-	-	Self-locking nut, M14 galv., 82175 8 82175 8
20	23NS12OC	158	23NS12OC	118	-	-	Self-locking nut, M12 galv., 82175 8 82175 8
21	POD-EOS-000372	64	POD-EOS-000372	48	-	-	Rim, flex packer

*Name refers to U-710/1 17.03.00

30. RUBBER RING ROLLER

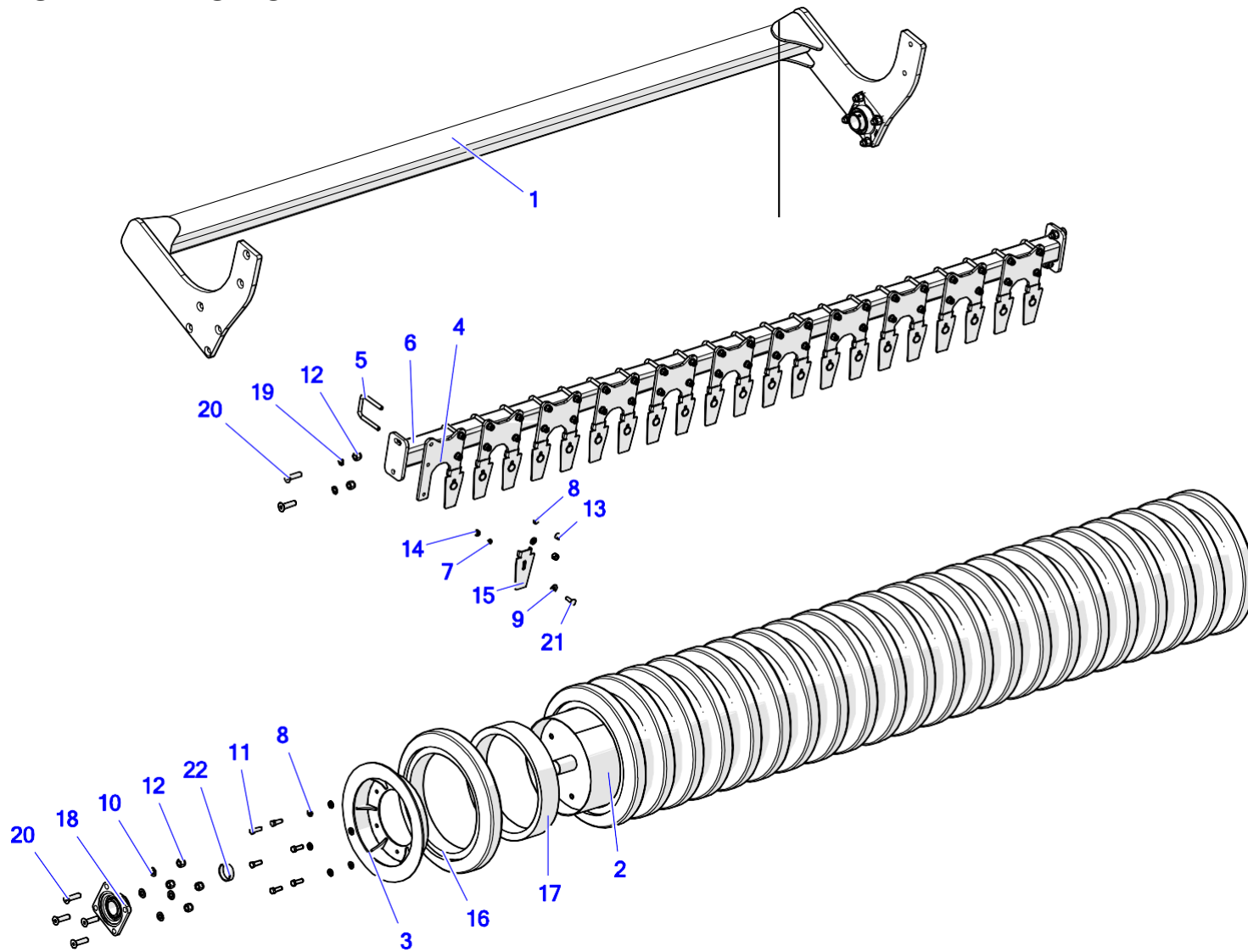


Table 30. Rubber ring roller

No.	U710 index	Qty. U710	U710/1 index	Qty. U710/1	U710/2 index	Qty. U710/2	Name
1	U-740 17.01.00	1	U-710/1 17.01.00	1	-	-	D-D roller frame
2	U-740 06.01.00	1	U-710/1 06.01.00	1	-	-	Packer
3	U-740 06.02.00	2	U-740 06.02.00	2	-	-	Flange
4	U-740 06.00.01	11	U-740 06.00.01	8	-	-	Scraper bracket, rubber ring roller
5	U-710/1 14.00.08	22	U-710/1 14.00.08	16	-	-	Clamp
6	U490 02.03.00	1	U-710/1 17.03.00	1	-	-	Scraper tube assy. *2.25 m scraper bar
7	23P10 82005	22	23P10 82005	16	-	-	Round washer, dia. 30 galv., 82005 82005
8	23P12OC	56	23P12OC	44	-	-	Round washer, dia.12 galv., 82005
9	23P14OC	22	23P14OC	16	-	-	Round washer, dia. 14 galv., 82005 82005
10	23P16OOC	8	23P16OOC	8	-	-	Round washer, dia. 16 galv., 82005 82005
11	23S12/35OC 8.8	12	23S12/35OC 8.8	12	-	-	Bolt, 12 x 35 galv., 8.8 82105 82105
12	23NS16OC	12	23NS16OC	12	-	-	Self-locking nut, M16 galv., 82175 8 82175 8
13	23NS12OC	44	23NS12OC	32	-	-	Self-locking nut, M12 galv., 82175 8 82175 8
14	23NS10OC	21	23NS10OC	16	-	-	Self-locking nut, M10 galv., 82175 8 82175 8
15	POD-OGL-000754	22	POD-OGL-000754	16	-	-	Scraper, rubber ring roller
16	POD-TSZ-000187	23	POD-TSZ-000187	17	-	-	Rubber ring, dia. 500 mm, rubber ring roller
17	POD-TSZ-000188	23	POD-TSZ-000188	17	-	-	Rubber spacer, rubber ring roller
18	POD-LOZ-000244	2	POD-LOZ-000244	2	-	-	Bearing assy., FY 50 TR

19	POD-ELZ-000705	4	POD-ELZ-000705	4	-	-	Toothed washer, fem. dia. 16 galv., DIN 6798A
20	POD-ELZ-000693	12	POD-ELZ-000693	12	-	-	Allen bolt, countersunk, 16 x 60 galv., 10.9 DIN7991
21	POD-ELZ-000084	22	POD-ELZ-000084	16	-	-	Carriage bolt, 10 x 35 galv., 8.8 82406

*Name refers to U-710/1 17.03.00

31. SUSPENDED SEEDER PLATFORM

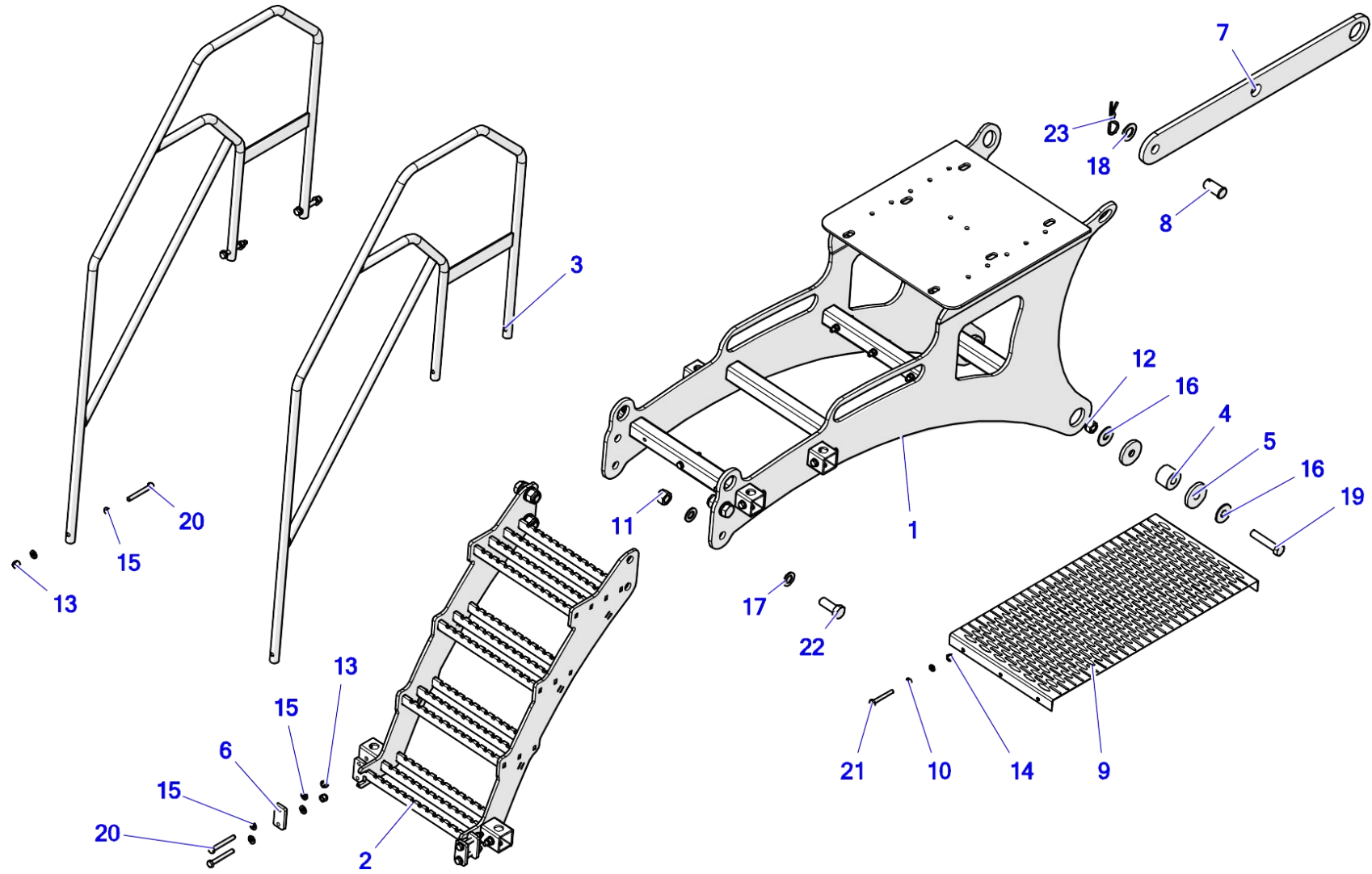


Table 31. Suspended seeder platform

No.	Index	Name	Qty.
1	U-710 19.01.00	Platform frame	1
2	U-710 19.02.00	Platform steps	1
3	U-710 19.03.00	Handrail, steps	2
4	U-710 19.00.02	Sleeve 1, mounting	2
5	U-710 19.00.03	Sleeve 2, mounting	4
6	U-710 19.00.04	Bracket mounting, lamp cluster	2
7	U-710 25.00.01	TPH link, lamp cluster bracket	1
8	U-710 25.00.02	Pin, TPH link	1
9	U-710 19.00.01	Deck plate	1
10	23P10OOC	Round washer, dia. 10 BS, 82005 82005	12
11	POD-ELZ-000399	Self locking nut, M24 galv., 8 82175	4
12	23NS20OC 82175	Self-locking nut, M20 galv., 82175 8 82175 8	2
13	23NS12OC	Self-locking nut, M12 galv., 82175 8 82175 8	10
14	23NS10OC	Self-locking nut, M10 galv., 82175 8 82175 8	6
15	23P12OC	Round washer, dia.12 galv., 82005	20
16	POD-ELZ-000459	Round washer, dia. 20 galv., 82030	4
17	23P24OC	Round washer, dia. 24 galv., 82005 82005	8
18	23P30OOC	Round washer, dia. 30 galv., 82005 82005	1
19	23S20/100OC 8.8	Bolt, 20 x 100 galv., 8.8 82101 82101	2

20	23S12/90 101OC	Bolt, 12 x 90 galv., 8.8 82101 82101	10
21	POD-ELZ-000452	Bolt, 10 x 80 galv., 8.8 82101	6
22	POD-ELZ-000729	Bolt, 24 x 60 galv., 8.8 82105	4
23	23ZR6	Spring cotter pin, single, 6 (R letter shaped, single)	1

32. SEEDER PLATFORM, DRAWBAR MOUNTED

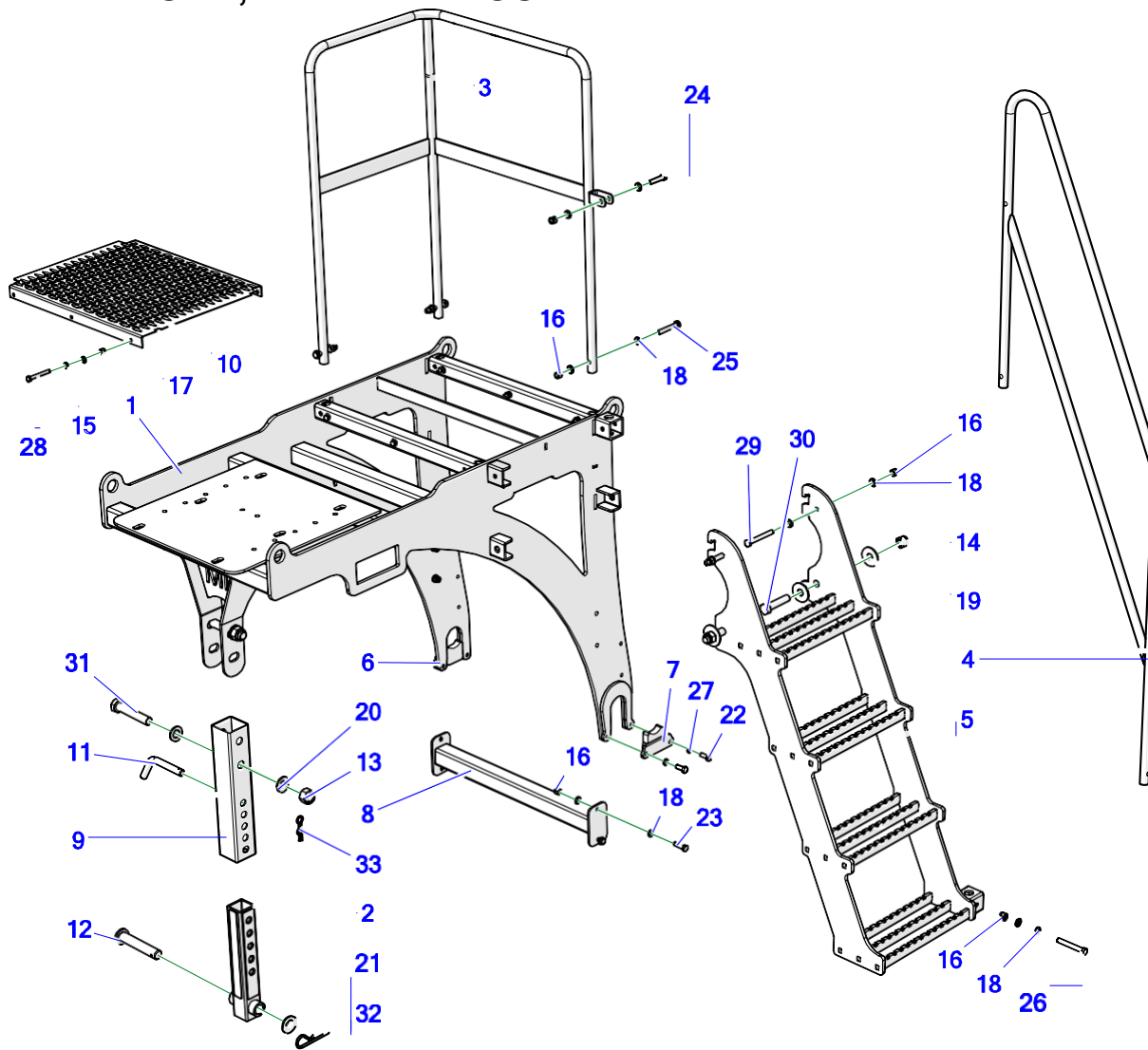


Table 32. Seeder platform, drawbar mounted

No.	Index	Name	Qty.
1	U-710 18.01.00	Platform frame	1
2	U-710 18.02.00	Platform support	1
3	U-710 18.03.00	Handrai, deck	1
4	U-710 18.04.00	Handrail, steps	1
5	U-710 18.05.00	Platform steps	1
6	U-710 18.06.00	Platform guard, RH	1
7	U-710 18.07.00	Platform guard, LH	1
8	U-710 18.08.00	Brace bar, platform	1
9	U-710 18.00.01	Support pipe, platform	1
10	U-710 18.00.02	Deck plate	1
11	U-710 01.00.13	Pin V	1
12	U-710 05.02.00	Linkage rod assy.	1
13	POD-ELZ-000399	Self locking nut, M24 galv., 8 82175	2
14	23NS20OC 82175	Self-locking nut, M20 galv., 82175 8 82175 8	2
15	23P10 82005	Round washer, dia. 30 galv., 82005 82005	12
16	23NS12OC	Self-locking nut, M12 galv., 82175 8 82175 8	11
17	23NS10OC	Self-locking nut, M10 galv., 82175 8 82175 8	6
18	23P12OC	Round washer, dia.12 galv., 82005	22
19	POD-ELZ-000459	Round washer, dia. 20 galv., 82030	4

20	23P24OC	Round washer, dia. 24 galv., 82005 82005	4
21	23P30OOC	Round washer, dia. 30 galv., 82005 82005	1
22	23S12/30OC 8.8	Bolt, 12 x 30 galv., 8.8 82105 82105	4
23	23S12/40OC	Bolt, 12 x 40 galv., 8.8 82101 82101	4
24	23S12/60OC 8.8	Bolt, 12 x 60 galv., 8.8 82101 82101	1
25	23S12/80OC 8.8	Bolt, 12 x 80 galv., 8.8 82101 82101	4
26	23S12/90 101OC	Bolt, 12 x 90 galv., 8.8 82101 82101	1
27	23P12SP	Spring washer, dia. 12 galv., 82008 82008	4
28	POD-ELZ-000452	Bolt, 10 x 80 galv., 8.8 82101	6
29	23S12/100OC 8.8	Bolt, 12 x 100 galv., 8.8 82101 82101	1
30	23S20/90 8.8 101	Bolt, 20 x 90 galv., 82101 82101	2
31	POD-ELZ-000668	Bolt, 24 x 140 galv., 8.8 82101	2
32	23ZR6	Spring cotter pin, single, 6 (R letter shaped, single)	1
33	23ZRF14	Spring cotter pin, single, 4 (R letter shaped, single)	1

33. LIGHT ASSEMBLY, SUSPENDED

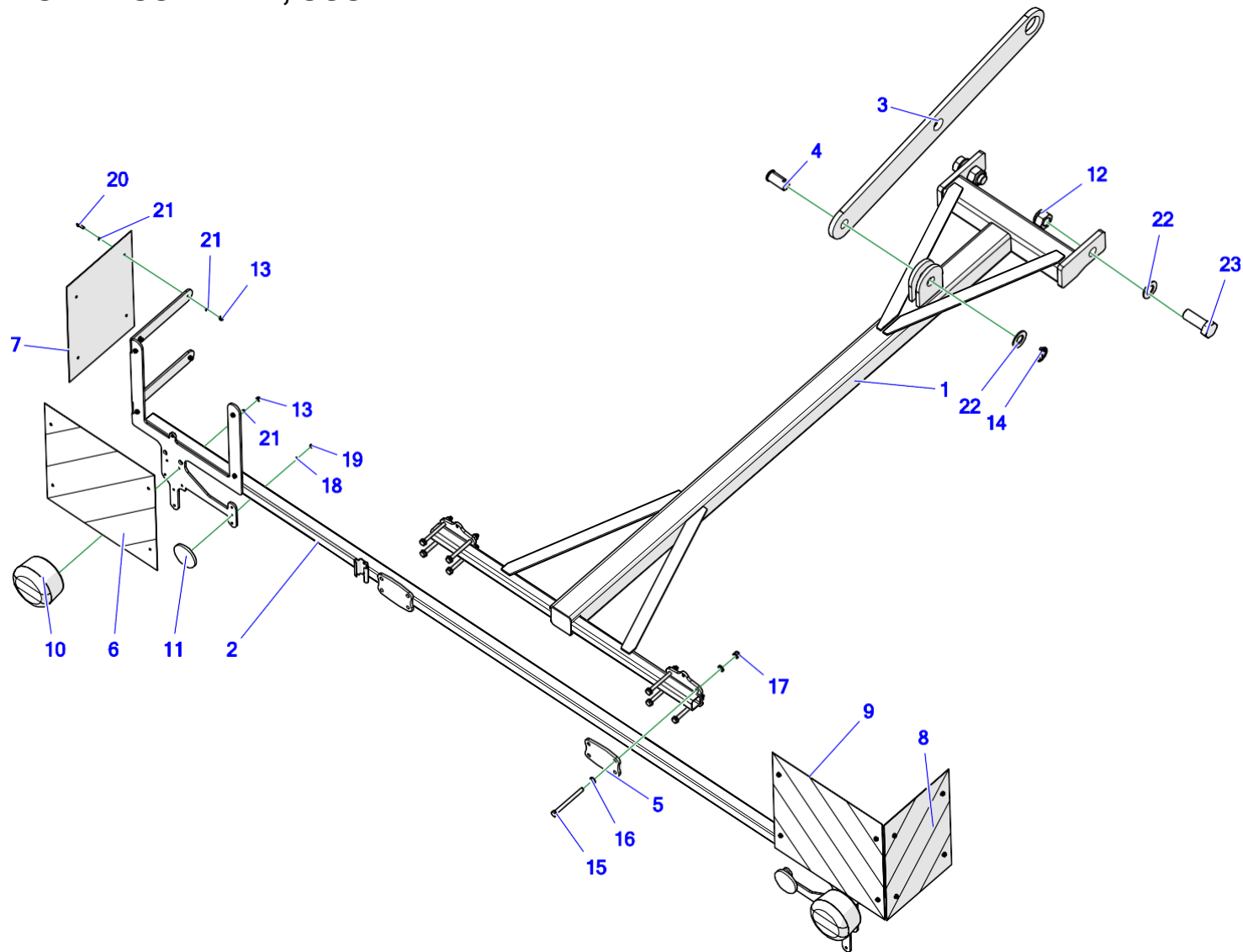


Table 33. Light assembly, suspended

No.	Index	Name	Qty.
1	U-710 25.01.00	Suspended lamp cluster bracket, frame	1
2	U-710 22.03.00	Beam, tail lights	1
3	U-710 25.00.01	TPH link, lamp cluster bracket	1
4	U-710 25.00.02	Pin, TPH link	1
5	U-710 22.00.03	Mounting plate, tail light beam	2
6	POD-ELK-000293	Warning plate, white/red striped, 423 mm x 423 mm, LH	1
7	POD-ELK-000295	Warning plate, white/red striped, 423 mm x 282 mm, LH	1
8	POD-ELK-000294	Warning plate, white/red striped, 423 mm x 282 mm, RH	1
9	POD-ELK-000292	Warning plate, white/red striped, 423 mm x 423 mm, RH	1
10	POD-ELK-000297	Light, 6001110485	2
11	POD-ELK-000178	Reflector, red, M5 x 14	2
12	POD-ELZ-000042-1	Self-locking nut, M30 galv., 82175	2
13	23NS6OC	Self-locking nut, M6 galv., 82175 8 82175 8	20
14	23PR6	Cotter pin w/ring, dia. 6	1
15	23S10/120OC	Bolt, 10 x 120, galv., 8.8 82101 82101	8
16	23P10 82005	Round washer, dia. 30 galv., 82005 82005	16
17	23NS10OC	Self-locking nut, M10 galv., 82175 8 82175 8	8
18	23P5,3OC 82005	Round washer, dia. 5.3 galv., 82005 82005	2
19	POD-ELZ-000471	Self-locking nut, M5 galv., 82175 8	2

20	23S6/20	Bolt, 6 x 20 galv., 8.8 82105 82105 8.8	16
21	23P6OOC	Round washer, dia. 6 galv., 82005 82005	36
22	23P30OOC	Round washer, dia. 30 galv., 82005 82005	2
23	POD-ELZ-000397	Bolt, 14 x 110 galv., 8.8 82101	2
24	POD-ELK-000175	Wiring harness, electrical, U710 cultivator	1

34. TRUCK-MOUNTED LIGHTS

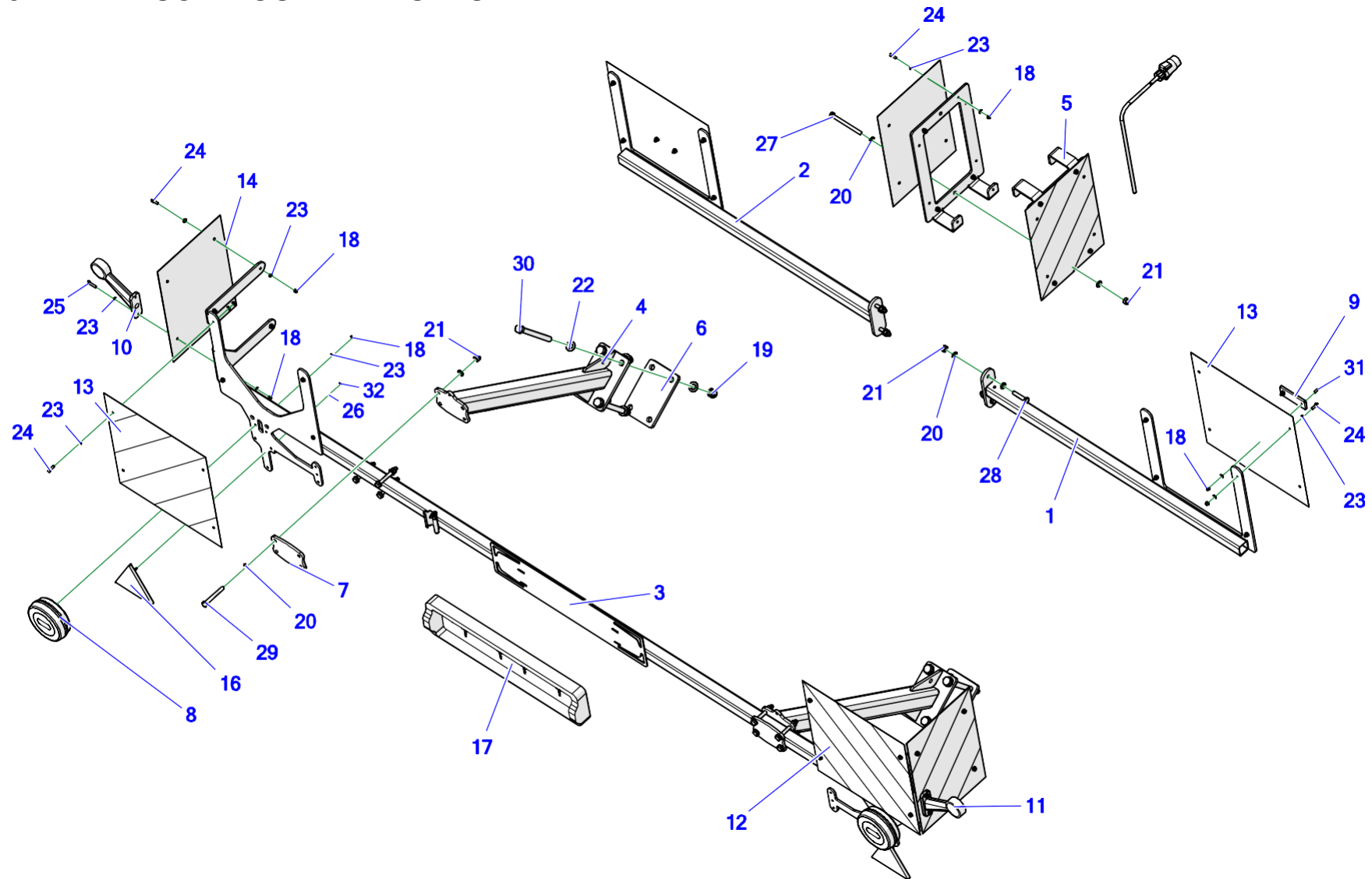


Table 34. Truck-mounted lights

No.	Index	Name	Qty.
1	U-710 22.01.00	Bracket, warning plate, front RH	1
2	U-710 22.02.00	Bracket, warning plate, front LH	1
3	U-710 22.03.00	Beam, tail lights	1
4	U-710 22.04.00	Bracket, tail light beam	2
5	U-710 22.00.01	Bracket, drawbar panel	1
6	U-710 22.00.02	Mounting plate, bracket-to-axle	2
7	U-710 22.00.03	Mounting plate, tail light beam	2
8	POD-ELK-000413	Light, FT-110 LED 12 / 24 V, round, w/1 m wiring	2
9	POD-ELK-000440	Marker/clearance light, white, MD-013 LED	2
10	POD-ELK-000523	Marker/clearance light, LD 726/L LED (HOR)	1
11	POD-ELK-000524	Marker/clearance light, LD 726/P LED (HOR)	1
12	POD-ELK-000292	Warning plate, white/red striped, 423 mm x 423 mm, RH	2
13	POD-ELK-000293	Warning plate, white/red striped, 423 mm x 423 mm, LH	2
14	POD-ELK-000295	Warning plate, white/red striped, 423 mm x 282 mm, LH	2
15	POD-ELK-000294	Warning plate, white/red striped, 423 mm x 282 mm, RH	2
16	26TO	Triangle, slow-moving vehicle, reflective	2
17	POD-ELK-000409	Bracket, license plate, w/light	1
18	23NS6OC	Self-locking nut, M6 galv., 82175 8 82175 8	44
19	23NS16OC	Self-locking nut, M16 galv., 82175 8 82175 8	8

20	23P10 82005	Round washer, dia. 30 galv., 82005 82005	26
21	23NS10OC	Self-locking nut, M10 galv., 82175 8 82175 8	13
22	23P16OOC	Round washer, dia. 16 galv., 82005 82005	16
23	23P6OOC	Round washer, dia. 6 galv., 82005 82005	76
24	23S6/20	Bolt, 6 x 20 galv., 8.8 82105 82105 8.8	31
25	23S6/30 8.8 82105OC	Bolt, 6 x 30 galv., 8.8 82105 82105	4
26	23P5,1SPOC	Spring washer, dia. 5.1 galv., 82008 82008	4
27	23S10/120OC	Bolt, 10 x 120, galv., 8.8 82101 82101	1
28	POD-ELZ-000051-1	Bolt, 14 x 110 galv., 8.8 82101	4
29	POD-ELZ-000452	Bolt, 10 x 80 galv., 8.8 82101	8
30	POD-ELZ-000385	Bolt, 30 x 150 galv., 10.9 82101	8
31	POD-ELZ-000754	Bolt, countersunk, 6 x 20 galv., 8.8 82208	4
32	23N5OC	Nut, M5 galv., 82144 5 82144 5	4
33	POD-ELK-000538	Wiring harness, electrical, U710 EU cultivator	1

35. TRUCK HYDRAULIC SYSTEM

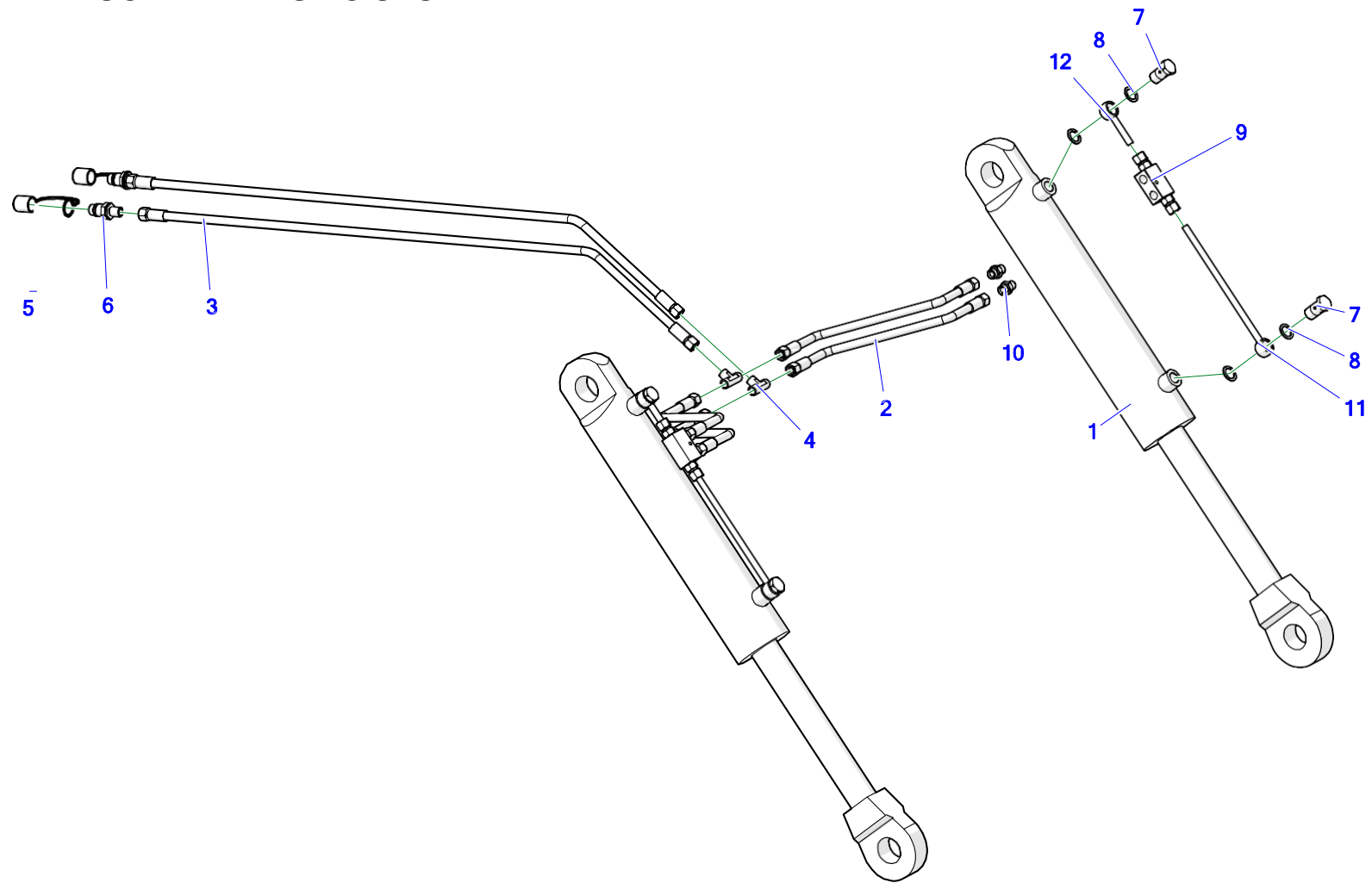


Table 35. Truck hydraulic system

No.	Index	Name	Qty.
1	POD-HSL-000045	Cylinder, u710w-100/56/320+KT truck*L-725	2
2	AA/222/08 L-600	Line, hydraulic, AA/222/08 L-600	4
3	AA/222/08 L-7000	Line, hydraulic, AA/222/08 L-7000	2
4	POD-HKR-000124	T-coupling, 18 x 18 x 18 12 L (Fe)	2
5	24ZWNE13	Dust cap, EURO 13 valve plug (green, yellow, blue, red)	2
6	24ZWE13-M18X1,5	Plug valve, Euro 13, M18 x 1.5	2
7	POD-HPZ-000009-1	Eye bolt, M22 x 1.5, 22 L38	4
8	24U22	Copper washer, dia. 22 x 28 x 1.5	8
9	POD-HZW-000038	Valve, twin check control, VBPDE 3/8" L 2 CEXC	2
10	24KP3/8 18	Straight coupling, 3/8 x 18-1.5 12LR	4
11	POD-HPR-000239	Banjo coupling, M22 L-260, Dwg. U-710 13.03.03	2
12	POD-HPR-000240	Banjo coupling, M22 L-50, Dwg. U-710.13.03.02	2

*** Hydraulic lines are fitted out with the following:**

- POD-HPR-000260 - Kit No. 30, cultivator truck
- POD-HPR-000429 - Kit N.o. 30-2, cultivator truck w/hydraulic brakes
- POD-HPR-000685 - Kit No. 30-3, cultivator truck, long
- POD-HPR-000824 - Kit No. 30-6, cultivator truck, long, w/o brakes

36. TRUCK ACTUATOR CYLINDER, W/TWIN CHECK CONTROL VALVE VBPDE-1/2" L2 CC

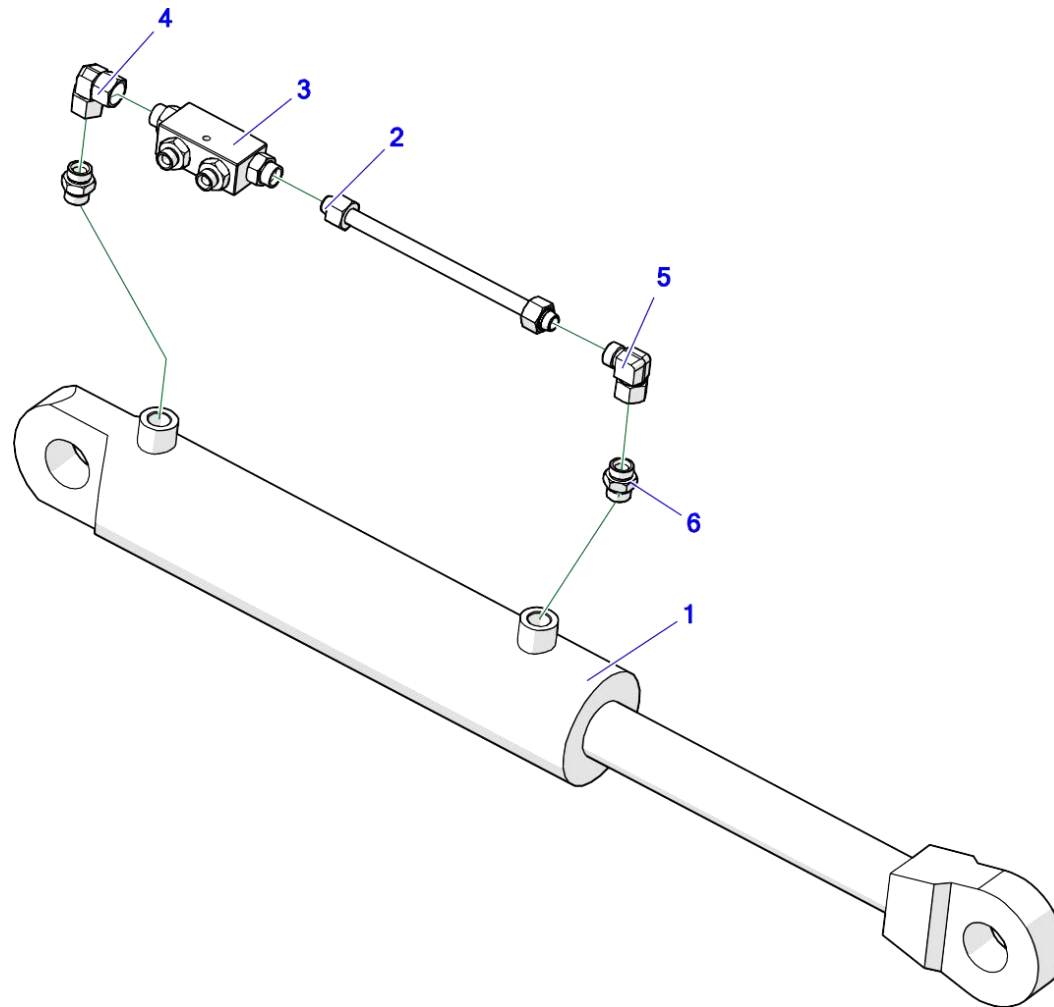


Table 36. Truck actuator cylinder, w/twin check control valve VBPDE-1/2" L2 CC

No	Index	Name	Qty.
1	POD-HSL-000045	Cylinder, u710w-100/56/320+KT truck*L-725	1
2	U-710 13.03.00	Tubing, hydrauling line, dia. 15 L=260 mm	1
3	POD-HZW-000137	Twin check control valve, VBPDE-1/2" L2 CC (M22 x 1.5)	1
4	POD-HKR-000174	Elbow coupling, adjustable, AA M22 x 1.5 15 L (2 x coupling nuts)	1
5	24KPKN22X1,5	Elbow coupling, adjustable, AB M22 x 1.5 15 L	1
6	24K22/22	Straight coupling, 22 x 22	2

37. PACKER/ROLLER HYDRAULIC SYSTEM

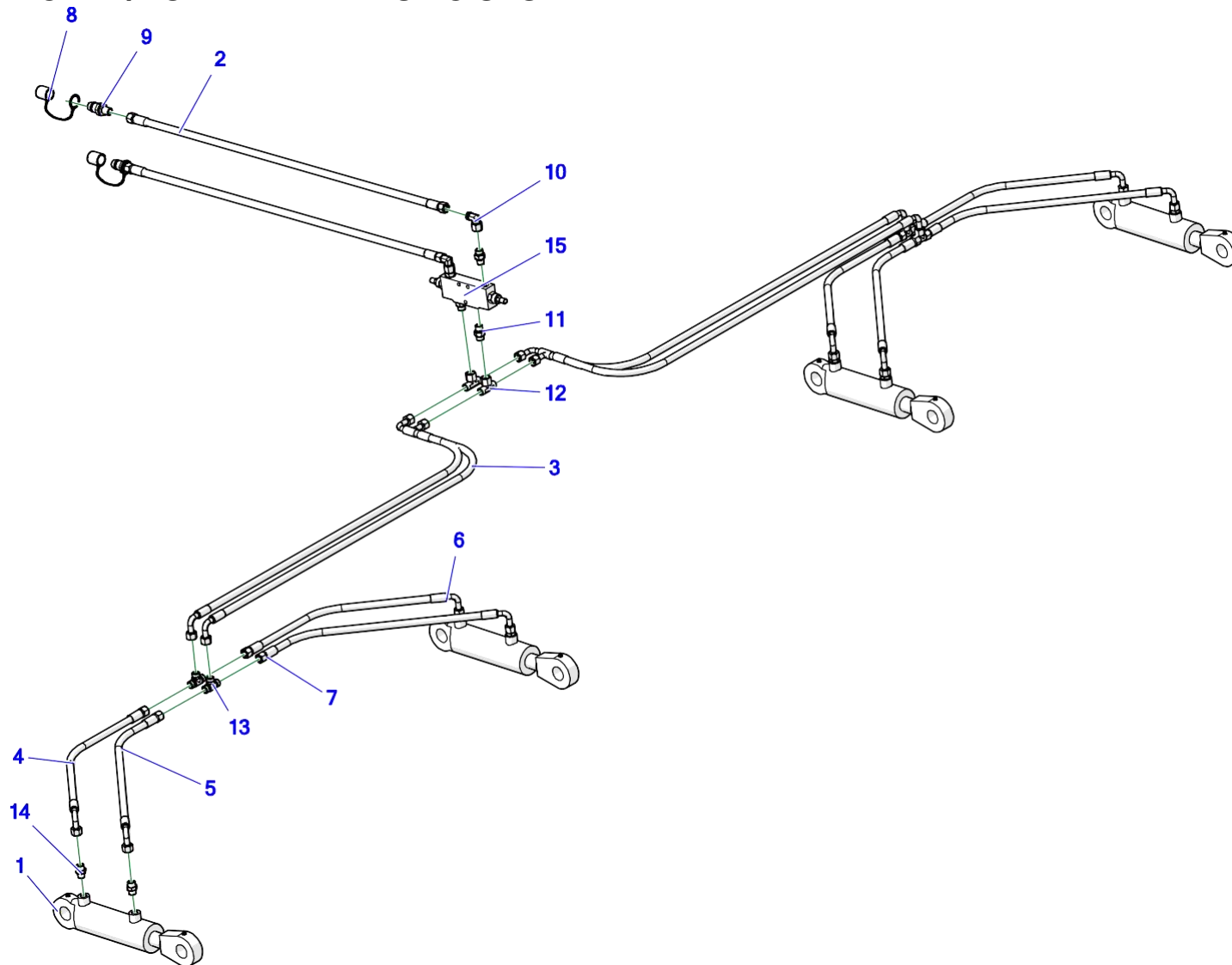


Table 37. Packer/roller hydraulic system

No.	U710 index	Qty. U710	U710/1 index	Qty. U710/1	U710/2 index	Qty. U710/2	Name
1	POD-HSL-000042	4	POD-HSL-000042	4	POD-HSL-000042	4	Cylinder, U710-63/36/100+KT2*L-312
2	AA/222/08 L-2500	2	AA/222/08 L-2500	2	AA/222/08 L-2500	2	Line, hydraulic, AA/222/08 L-2500
3	A90A90/222/08 L-2000	4	A90A90/222/08 L-1800	4	A90A90/222/08 L-1500	4	Line, hydraulic, A90A90/222/08 L-2000 *Line, hydraulic, A90A90/222/08 L-1800 **Line, hydraulic, A90A90/222/08 L-1500
4	A90A/222/08 L-1100	4	A90A/222/08 L-900	4	A90A/222/08 L-2400	2	Line, hydraulic, A90A/222/08 L-1100 *Line, hydraulic, A90A/222/08 L-900 ** Line, hydraulic, A90A/222/08 L-2400
5	A90A/222/08 L-1300	4	A90A/222/08 L-1100	4	A90A/222/08 L-2600	2	Line, hydraulic, A90A/222/08 L-1300 * Line, hydraulic, A90A/222/08 L-1100 ** Line, hydraulic, A90A/222/08 L-2600
6	-	-	-	-	A90A/222/08 L-700	2	**Line, hydraulic, A90A/222/08 L-700
7	-	-	-	-	A90A/222/08 L-900	2	**Line, hydraulic, A90A/222/08 L-900
8	24ZWNE13	2	24ZWNE13	2	24ZWNE13	2	Dust cap, EURO 13 valve plug (green, yellow, blue, red)
9	24ZWE13-M18X1,5	2	24ZWE13-M18X1,5	2	24ZWE13-M18X1,5	2	Plug valve, Euro 13, M18 x 1.5
10	24KPKN18X1,5	2	24KPKN18X1,5	2	24KPKN18X1,5	2	Elbow coupling, adjustable, AB M18 x 1.5 12 L
11	24KP3/8 18	4	24KP3/8 18	4	24KP3/8 18	4	Straight coupling, 3/8 x 18-1.5 12LR
12	POD-HKR-000002-1	2	POD-HKR-000002-1	2	POD-HKR-000002-1	2	T-coupling, symmetr., 18 x 18 x 18 - 1.5 w/top coupling nut
13	24KT18/18/18	4	24KT18/18/18	4	24KT18/18/18	4	T-coupling, 18 x 18 x 18 12 L
14	POD-HKR-000078	8	POD-HKR-000078	8	POD-HKR-000078	8	Straight coupling, 16 x 1.5-18 x 1.5
15	POD-HZW-000060	1	POD-HZW-000060	1	POD-HZW-000060	1	Overload lock valve, VBCD 3/8" DE-A (V0422)

* Name refers to U710/1
** Name refers to U710/2

The hydraulic power pack lines are available in these:

- POD-HPR-000225 - Kit. No. 24, U710 6 m cultivator

- POD-HPR-000838 - Kit. No. 24-11, U710/1 4.5 m cultivator
- POD-HPR-000832 - Kit. No. 24-10, U710/2 KRUK 7 m cultivator
The kit includes lines for the packer/roller hydraulic system and the side boom folding system

38. SIDE BOOM HYDRAULIC FOLDING SYSTEM

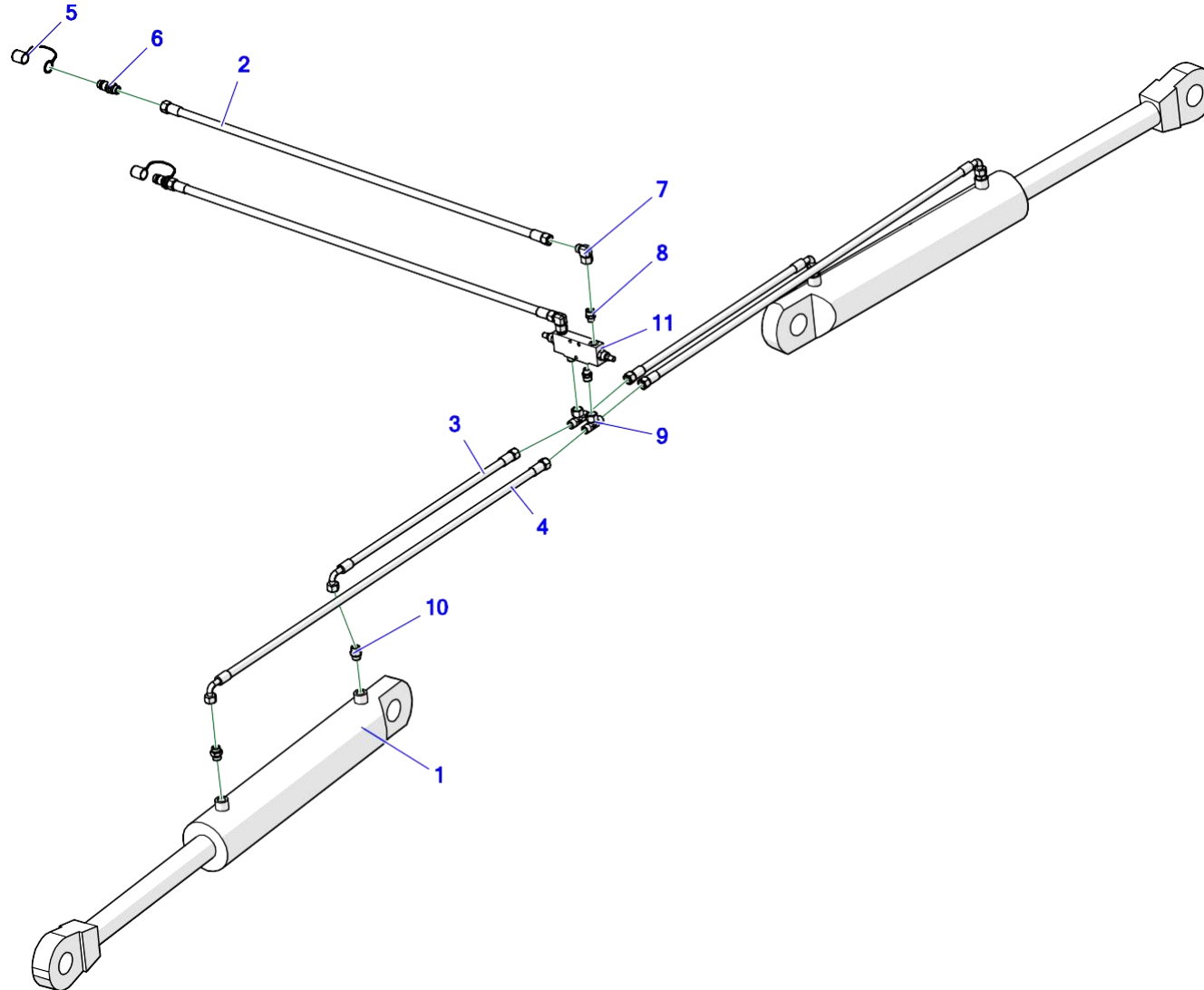


Table 38. Side boom hydraulic folding system

No.	Index	Name	Qty.
1	POD-HSL-000043	Cylinder, U710-125/70/500*L-973	2
2	AA/244/10 L-2500	Line, hydraulic, AA/244/10 L-2500	2
3	A90A/244/10 L-700	Line, hydraulic, A90A/244/10 L-700	2
4	A90A/244/10 L-1200	Line, hydraulic, A90A/244/10 L-1200	2
5	24ZWNE13	Dust cap, EURO 13 valve plug (green, yellow, blue, red)	2
6	24ZWE13	EURO 13 plug valve, M22 x 1.5	2
7	24KPKN22X1,5	Elbow coupling, adjustable, AB M22 x 1.5 15 L	2
8	POD-HKR-000001-1	Straight coupling, 3/8 x 22 x 1.5	4
9	24TN22/22/22	T-coupling, symmetr., 22 x 22 x 22 (w/top coupling nut)	2
10	24K22/22	Straight coupling, 22 x 22	4
11	POD-HZW-000060	Overload lock valve, VBCD 3/8" DE-A (V0422)	1

The hydraulic power pack lines are available in these:

- POD-HPR-000225 - Kit. No. 24, U710 6 m cultivator
- POD-HPR-000838 - Kit. No. 24-11, U710/1 4.5 m cultivator
- POD-HPR-000832 - Kit. No. 24-10, U710/2 KRUK 7 m cultivator

The kit includes lines for the packer/roller hydraulic system and the side boom folding system.

39. ANTI-SHOCK SYSTEM

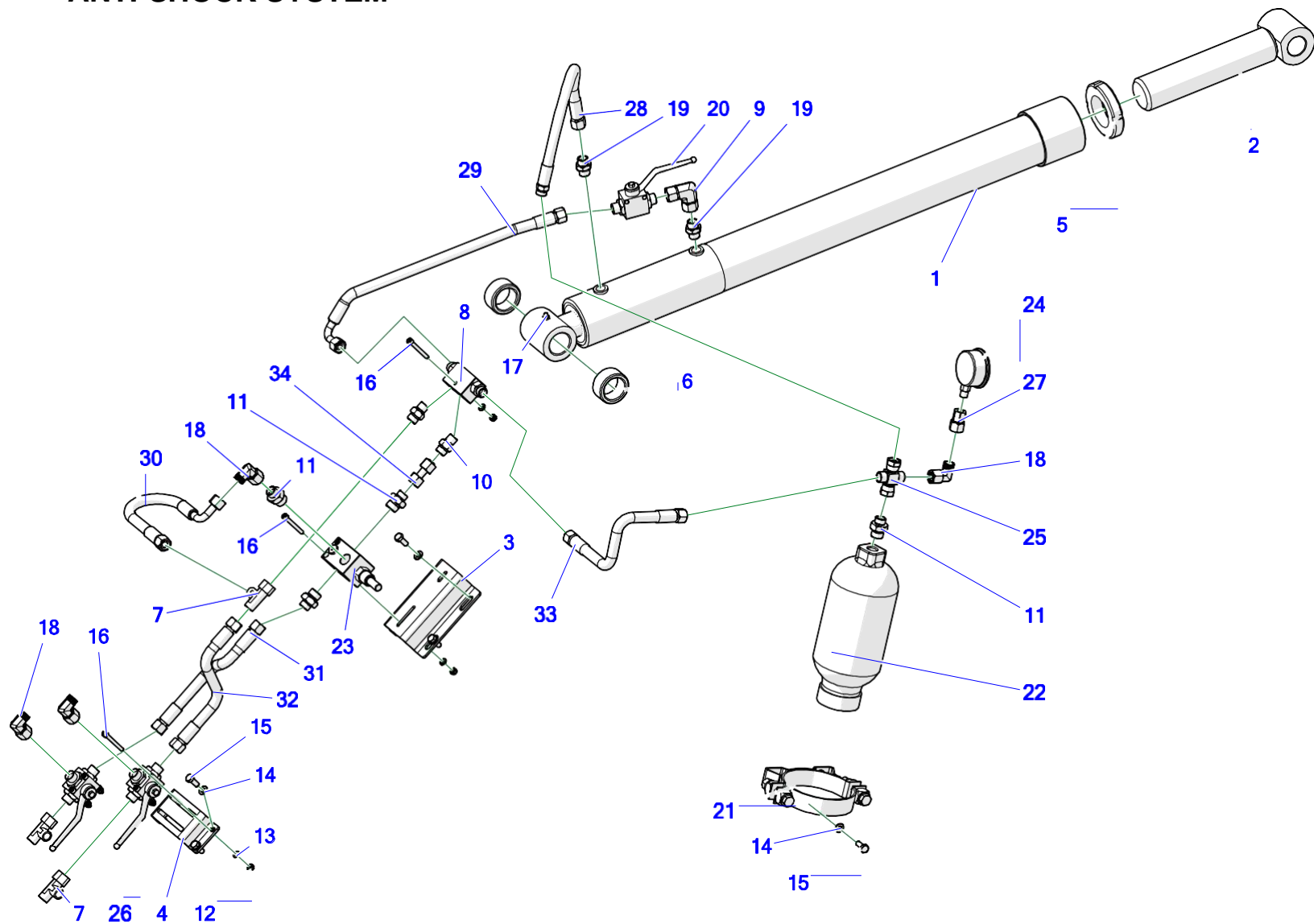


Table 39. Anti-shock system

No.	Index	Name	Qty.
1	U-710 33.01.00	Link piece w/cylinder	1
2	U-710 06.06.00	Link bolt	1
3	U-710 33.00.01	Valve bracket, 1	1
4	U-710 33.00.02	Valve bracket, 2	1
5	U-710 33.00.03	Lock nut	1
6	U-710 33.00.04	Spacer bushing	2
7	POD-HKR-000110	T-coupling, 18 x 18 x 18 12 L (Fe)	3
8	POD-HZW-000038	Valve, twin check control, VBPDE 3/8" L 2 CEXC	1
9	POD-HKR-000120	Elbow coupling, adjustable, AA M18 x 1.5 12 L (2 x coupling nuts)	1
10	24KP3/8 18	Straight coupling, 3/8 x 18-1.5 12LR	2
11	24KP1/2 18	Straight connection 1/2 edx18-1.5	4
12	23NS6OC	Self-locking nut, M6 galv., 82175 8 82175 8	7
13	23P6OOC	Round washer, dia. 6 galv., 82005 82005	7
14	23P8OOC	Round washer, dia. 8 galv., 82005 82005	10
15	23S8/20OC 8.8	Bolt, 8 x 20 galv., 8.8 82105 82105	10
16	POD-ELZ-000752	Allen bolt, 6 x 50 galv., 8.8 82302	7
17	23SM10/1	Grease nipple, M10 x 1.0 straight	1
18	24KPKN18X1,5	Elbow coupling, adjustable, AB M18 x 1.5 12 L	4
19	POD-HKR-000040	Straight coupling, 18 x 18-1.5	2

20	POD-HZW-000032	Ball valve, RS2 12 L (w/bolt holes)	1
21	POD-HPZ-000116	Clamp, brake pressure cyl. 0.75 L and 1.5 L (21001623)	1
22	POD-HPZ-000115	Brake pressure cyl. 0.75 L (21001969)-100 bar	1
23	POD-HZW-000134	Overflow valve, VMP 1/2" 50-250 bar	1
24	24MA	Pressure gauge, 250 bar 1/4" male (bottom)	1
25	POD-HKR-000175	Four-way coupling, M18 x 1.5 12 L (w/2 coupling nuts)	1
26	POD-HZW-000107	Ball valve, 3-way, RS3L12L M18 x 1.5 (w/bolt holes)	2
27	POD-HKR-000150	Coupling, pressure gauge, 1/4-M18 x 1.5, nut-to-nut	1
28	AB/111/10 L-700	Line, hydraulic, AB/111/10 L-700	1
29	AA90/111/10 L-740	Line, hydraulic, AA90/111/10 L-740	1
30	AA90/111/10 L-440	Line, hydraulic, AA90/111/10 L-440	1
31	AA/111/10 L-210	Line, hydraulic, AA/111/10 L-210	1
32	AA/111/10 L-245	Line, hydraulic, AA/111/10 L-245	1
33	AA/111/10 L-510	Line, hydraulic, AA/111/10 L-510	1
34	24KZP18/18	Straight coupling, female thd., 18 x 18-1.5 (tube)	1

Hydraulic lines are fitted with POD-HPR-000829 – Kit No. 30-7, U710 anti-shock system.

40. PNEUMATIC BRAKE SYSTEM

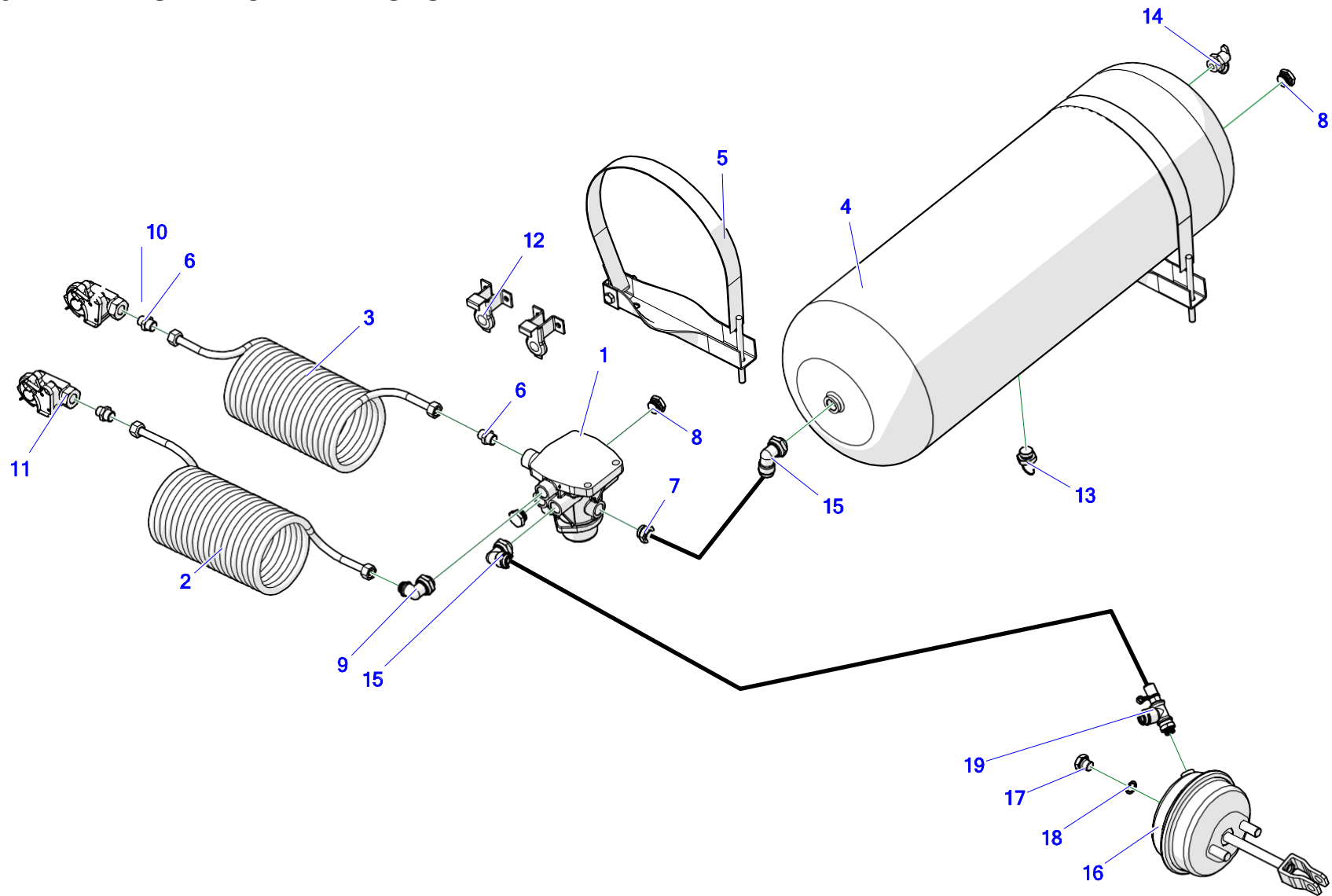


Table 40. Pneumatic brake system

No.	Index	Name	Qty.
1	POD-OGL-000630	Brake valve, trailer, w/Knorr brake release	1
2	POD-OGL-000620	Tubing, spiral flex, yellow, Haldex	1
3	POD-OGL-000619	Tubing, spiral flex, red, Haldex	1
4	POD-OGL-000846	Air tank, 60 L, dia. 310, Knorr	1
5	POD-OGL-000785	Clamp, air tank 60 L, dia. 310, Knorr	2
6	POD-PZŁ-000009	Straight coupling, air, M16-M18	3
7	POD-PZŁ-000008	Straight coupling, air, M22 TK12	1
8	POD-PZŁ-000037	Plug, air, M22	3
9	POD-PZŁ-000098	Coupling, air, ZŁW-M18K/M22-col	1
10	POD-OGL-000624	Tubing coupling, front, red, Haldex	1
11	POD-OGL-000625	Tubing coupling, front, yellow, Haldex	1
12	POD-OGL-000573	Holder, air coupling	2
13	POD-OGL-000634	Valve, condensate drain, M22 x 1.5 Knorr	1
14	POD-OGL-000069	Service coupling, air, M22 x 1.5	1
15	POD-PZŁ-000056	Coupling, air, ZŁW-15/M22-kol	2
16	POD-OGL-000320	Actuator, membrane, dia. 20 + yoke	1
17	POD-PZŁ-000036	Plug, air, M16	1
18	24U16	Copper washer, dia.16 x 22 x 1.5	1
19	POD-PZŁ-000090	Coupling, air tee, ZŁW-15/HPM16/M16	1

41. DOUBLE LINE HYDRAULIC BRAKE SYSTEM

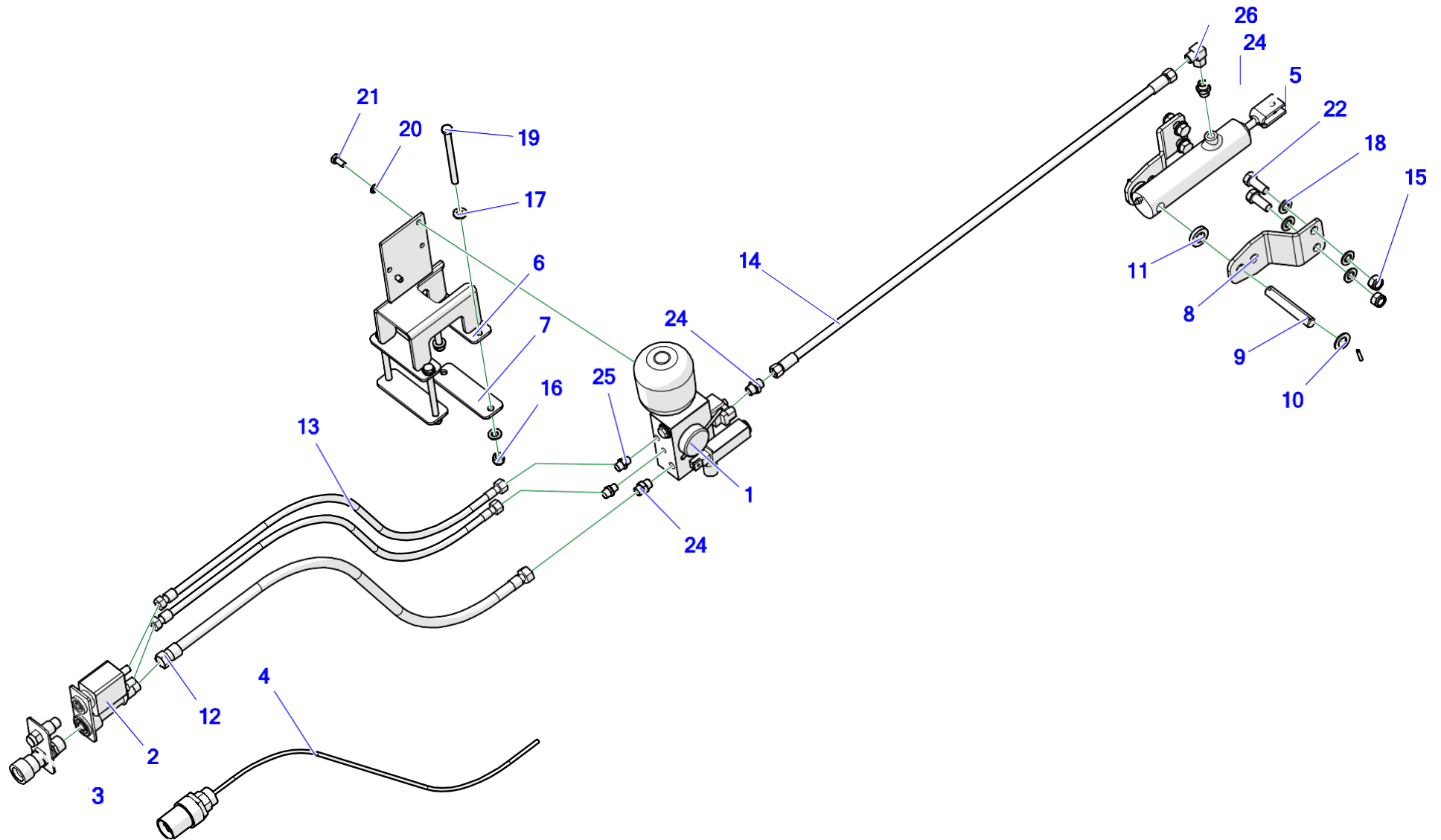


Table 41. Double line hydraulic brake system

No.	Index	Name	Qty.
1	POD-HPZ-000265	Automatic valve, 2-line brakes, AVR + pressure cyl., 0.75 L 70 bar (21007157)	1
2	POD-HPZ-000264	QR coupling, DLC, 2-line brakes, 205873/G60 (21007093)	1
3	POD-HPZ-000268	Adapter, SLTA, for 1-line, 2-line brakes, 206115-(21007097)	1
4	POD-HPZ-000267	Electrical wire, AVC valve, 3 m long, 2-line brakes, MO18202/3 (21007096)	1
5	POD-HPZ-000327	Cylinder, brake, 303061/P30 (21001464-1)	1
6	U-710/2 12.01.00	Bracket, brake valve	1
7	U-710/2 12.00.01	Flat bar	2
8	U910 12.00.01	Bracket, hydraulic actuator	2
9	U910 12.00.02	Brake cylinder pin	1
10	23P20OOC	Round washer, dia. 20 galv., 82005 82005	2
11	U910 02.00.11	Spring washer, Tecamid	1
12	C11A/221/10 L-2250	Line, hydraulic, C11A/221/10 L-2250	1
13	AC11/141/6 L-2250 1/4"	Line, hydraulic, AC11/141/6 L-2250 1/4"	2
14	AA/211/10 L-6600	Line, hydraulic, AA/211/10 L-6600	1
15	23NS16OC	Self-locking nut, M16 galv., 82175 8 82175 8	4
16	23NS12OC	Self-locking nut, M12 galv., 82175 8 82175 8	4
17	23P12OC	Round washer, dia.12 galv., 82005	8
18	23P16OOC	Round washer, dia. 16 galv., 82005 82005	8
19	POD-ELZ-000621	Bolt, 12 x 150 galv., 8.8 82101	4

20	23P10SP	Spring washer, dia. 10.2 galv., 82008 82008	2
21	23S10/20OC 8.8	Bolt, 10 x 20, galv., 8.8 82105 82105	2
22	23S16/40 8.8OC	Bolt, 16 x 40 galv., 8.8 82105 82105	4
23	23K6/30	Spring pin, 6 x 30 DIN 1481	2
24	POD-HKR-000040	Straight coupling, 18 x 18-1.5	3
25	POD-HKR-000031	Straight coupling, M14 x 1.5-M16 x 1.5	2
26	24KZ18/18	Elbow coupling, female thd., 18/18 x 1,.5 (short tube)	1

The hydraulic lines are kitted with POD-HPR-000936 - Kit. No. 24-12 U710 Double-line hydraulic brake system

42. SINGLE LINE HYDRAULIC BRAKE SYSTEM

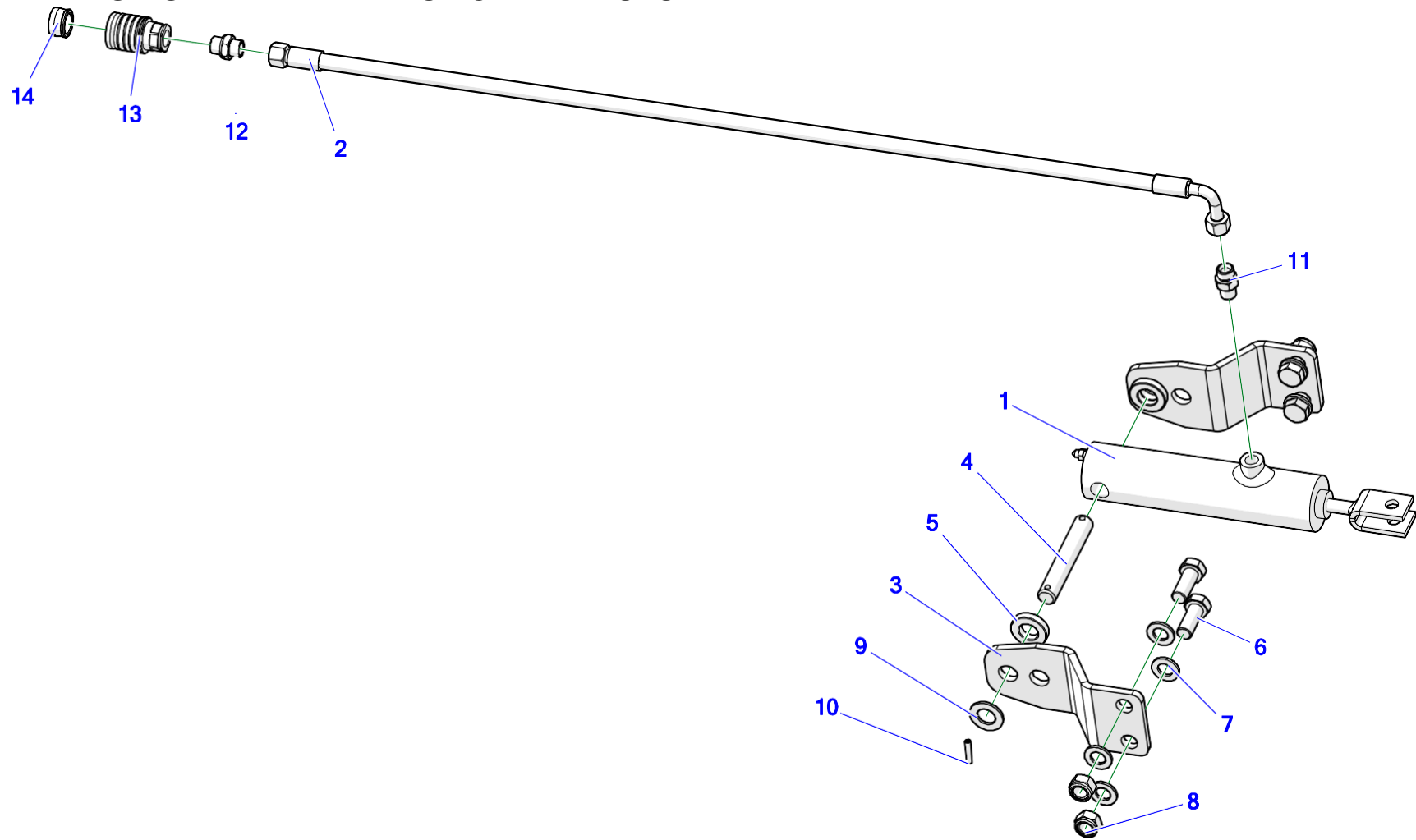


Table 42. Single line hydraulic brake system

No.	Index	Name	Qty.
1	POD-HPZ-000327	Cylinder, brake, 303061/P30 (21001464-1)	1
2	A90A/244/10 L-9000	Line, hydraulic, A90A/244/10 L-9000	1
3	U910 12.00.01	Bracket, hydraulic actuator	2
4	U910 12.00.02	Brake cylinder pin	1
5	U910 02.00.11	Spring washer, Tecamid	2
6	23S16/40 8.8OC	Bolt, 16 x 40 galv., 8.8 82105 82105	4
7	23P16OOC	Round washer, dia. 16 galv., 82005 82005	8
8	23NS16OC	Self-locking nut, M16 galv., 82175 8 82175 8	4
9	23P20OOC	Round washer, dia. 20 galv., 82005 82005	2
10	23K6/30	Spring pin, 6 x 30 DIN 1481	2
11	24KP3/8 18	Straight coupling, 3/8 x 18-1.5 12LR	1
12	POD-HKR-000040	Straight coupling, 18 x 18-1.5	1
13	POD-HPZ-000117	QR coupling, 900410 (21001462)	1
14	POD-HPZ-000117 (base)	Base, QR coupling	1

Hydraulic lines are fitted out with the following:

- POD-HPR-000260 - Kit No. 30, cultivator truck
- POD-HPR-000685 - Kit No. 30-3, cultivator truck, long

43. HYDRAULIC LINE KITS

Kit index: POD-HPR-000225		Kit No. 24, U710 6 m cultivator
No.	Name	Qty.
1	AA/244/10 L-2500	2
2	A90A/244/10 L-1200	2
3	A90A/244/10 L-700	2
4	AA/222/08 L-2500	2
5	A90A/222/08 L-1100	4
6	A90A/222/08 L-1300	4
7	A90A90/222/08 L-2000	4

Kit index: POD-HPR-000838		Kit. No. 24-11, U710/1 4.5 m cultivator
No.	Name	Qty.
1	AA/244/10 L-2500	2
2	A90A/244/10 L-1200	2
3	A90A/244/10 L-700	2
4	AA/222/08 L-2500	2
5	A90A/222/08 L-1100	4
6	A90A/222/08 L-900	4
7	A90A90/222/08 L-1800	4

Kit index: POD-HPR-000832		Kit. No. 24-10, U710/2 KRUK 7 m cultivator
No.	Name	Qty.
1	AA/244/10 L-2500	2
2	A90A/244/10 L-1200	2
3	A90A/244/10 L-700	2
4	AA/222/08 L-2500	2
5	A90A/222/08 L-1500	4
6	A90A/222/08 L-700	2
7	A90A/222/08 L-900	2
8	A90A/222/08 L-2400	2
9	A90A/222/08 L-2600	2

Kit index: POD-HPR-000260		Kit No. 30, cultivator truck (hydraulic brakes)
No.	Name	Qty.
1	A90A/244/10 L-9000	1
2	AB/243/10 L-2100	2
3	AB/222/08 L-2100	2
4	AA/222/08 L-7000	2
5	AA/222/08 L-600	4

Kit index: POD-HPR-000429		Kit No. 30-2, Pneumatic brakes, cultivator truck
No.	Name	Qty.
1	AB/243/10 L-2100	2
2	AB/222/08 L-2100	2
3	AA/222/08 L-7000	2
4	AA/222/08 L-600	4

Kit index: POD-HPR-000685		Kit No. 30-3, cultivator truck, long
No.	Name	Qty.
1	AB/222/08 L-3100	2
2	AA/222/08 L-8000	2
3	AA/222/08 L-600	4
4	AB/243/10 L-3100	2
5	A90A/244/10 L-10000	1

Kit index: POD-HPR-000824		Kit No. 30-6, cultivator truck, long, w/o brakes
No.	Name	Qty.
1	AB/243/10 L-3100	2
2	AB/222/08 L-3100	2
3	AA/222/08 L-8000	2
4	AA/222/08 L-600	4

Kit index: POD-HPR-000936		Kit No. 24-12, U710 double line hydraulic brake system
No.	Name	Qty.
1	C11A/221/10 L-2250	1
2	AC11/141/6 L-2250	2
3	AA/211/10 L-6600	1

Kit index: POD-HPR-000686		Kit No. 30-4 U710 smoothing harrow
No.	Name	Qty.
1	A90A/222/08 L-1700	4
2	AA/222/08 L-5500	2

Kit index: POD-HPR-000829		Kit No. 30-7, U710 anti-shock system
No.	Name	Qty.
1	AA/111/10 L-210	1
2	AA/111/10 L-245	1
3	AA/111/10 L-510	1
4	AB/111/10 L-700	1
5	AA90/111/10 L-740	1
6	AA90/111/10 L-440	1

NOTES

A series of horizontal dotted lines providing space for handwritten notes.

A series of horizontal dotted lines spanning the width of the page, providing a template for handwritten text or notes.

A series of horizontal dotted lines spanning the width of the page, providing a template for handwritten text or notes.



Since Metal-Fach Sp. z o.o. is continuously improving its products and adapting its commercial range to match the customers' needs, Metal-Fach Sp. z o.o. reserves the right to modify our products without prior notice. Therefore, Metal-Fach Sp. z o.o. advises contacting a Metal-Fach Sp. z o.o. authorised dealer or sales representative prior to making your decision about any purchase.

Metal-Fach Sp. z o.o. will not accept any claims regarding the data and pictures contained in the catalogue, as the presented offer shall not constitute a commercial offer within the meaning of the provisions of the Polish Civil Code.

The pictures do not necessarily show standard accessories.

Original spare parts are available from authorised dealers, both in Poland and abroad, and also at the Metal-Fach retail outlet.

TECHNICAL SERVICE

16-100 Sokółka, ul. Kresowa 62
Telephone: +48 85 711 07 80; Fax: +48 85 711 07 93
serwis@metalfach.com.pl

SALES

16-100 Sokółka, ul. Kresowa 62
Telephone: +48 85 711 07 78; Fax: +48 85 711 07 89
handel@metalfach.com.pl

SPARE PARTS WHOLESALE STORE

16-100 Sokółka, ul. Kresowa 62

Wholesale:

Telephone: +48 85 711 07 80; Fax: +48 85 711 07 93
serwis@metalfach.com.pl

Retail

Telephone: +48 85 711 07 80; Fax: +48 85 711 07 93
serwis@metalfach.com.pl

FIND THE LATEST INFORMATION ABOUT OUR PRODUCTS ON WWW.METALFACH.COM.PL

