



METAL-FACH

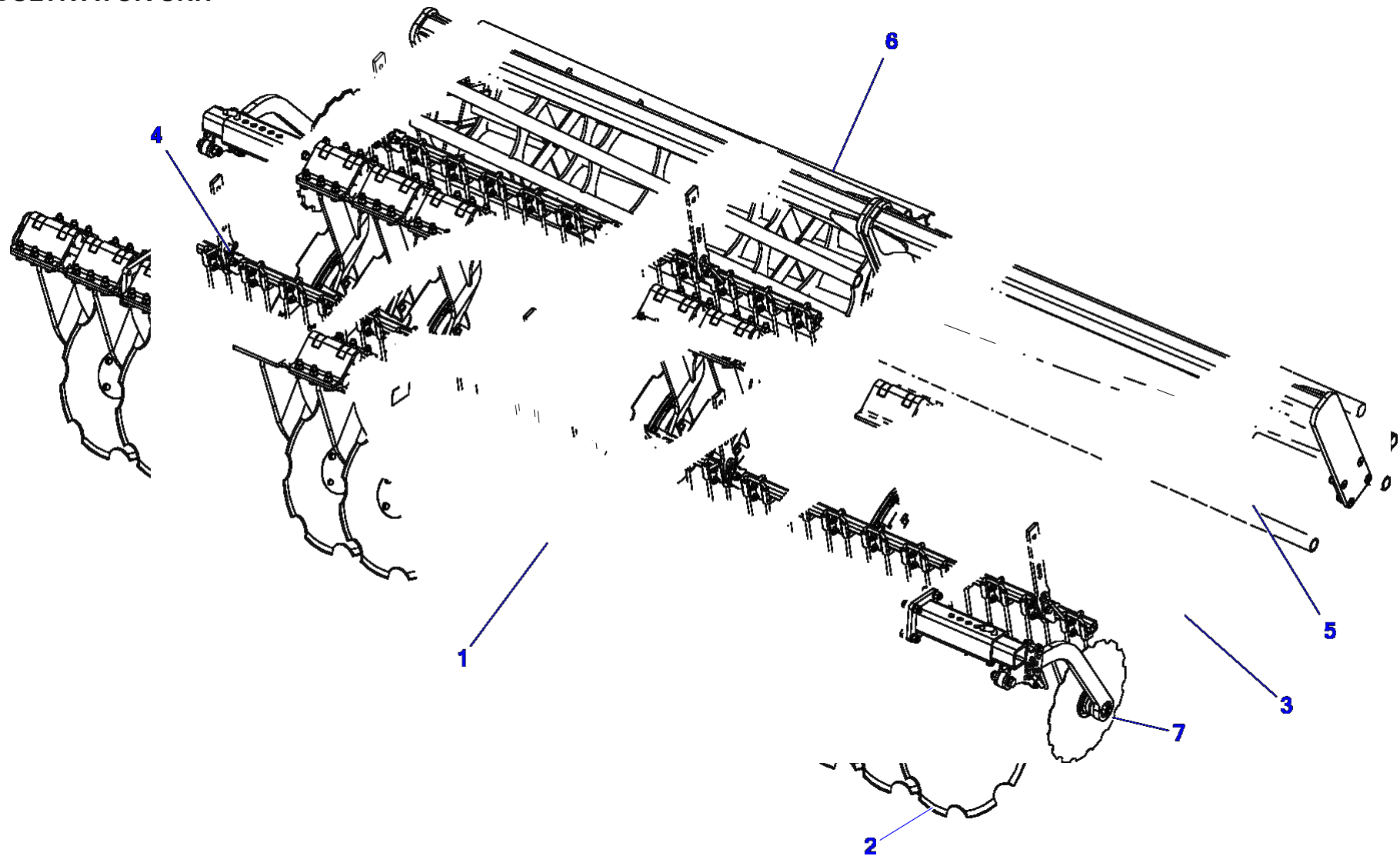


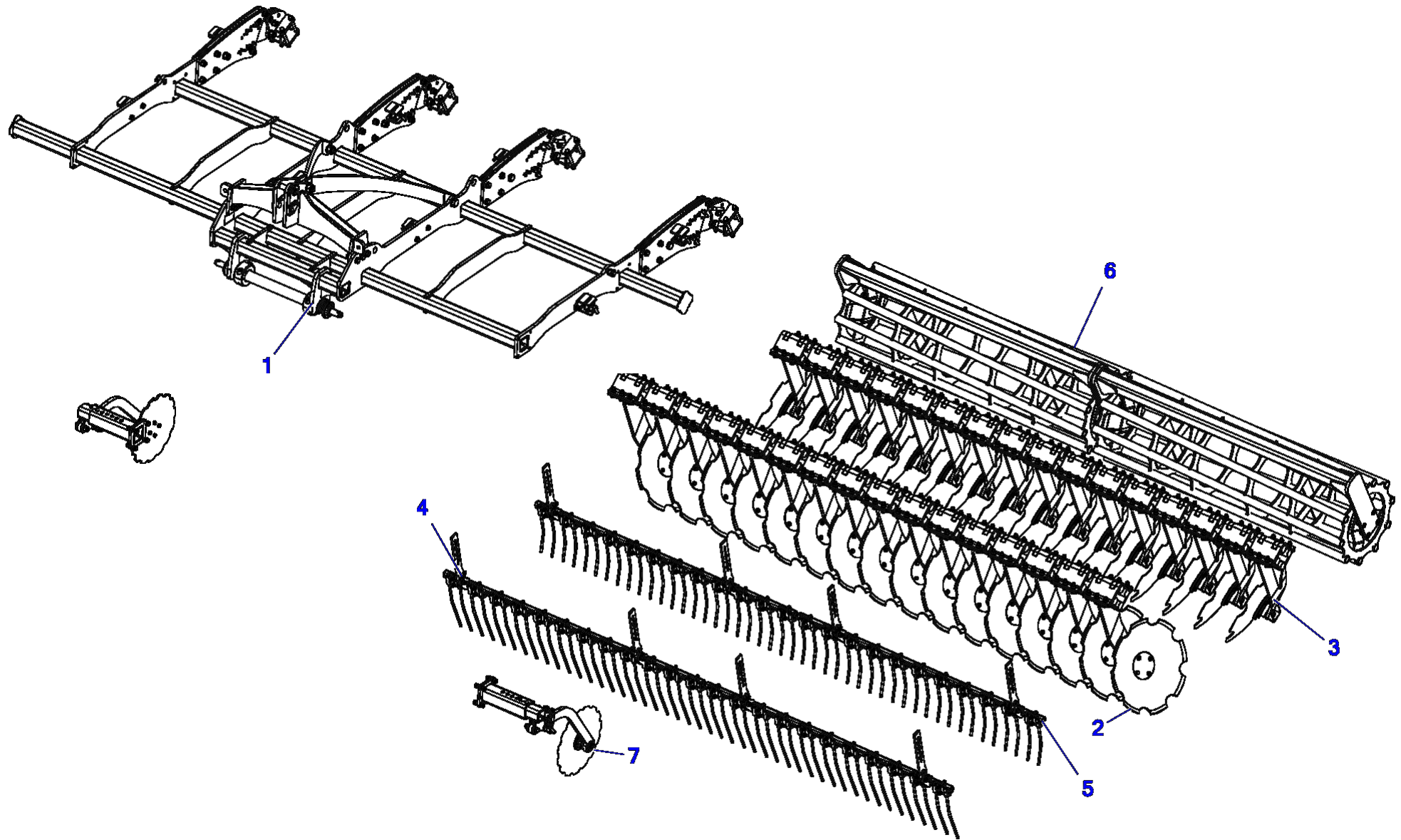
DISC-TYPE STUBBLE CULTIVATOR UNIT U786, U786/1, U786/2 SPARE PARTS CATALOGUE REV. I, SEPTEMBER 2017 EN

TABLE OF CONTENTS

1. U786, U786/1, U786/2 DISC-TYPE STUBBLE CULTIVATOR UNIT	4
2. U786 DISC-TYPE STUBBLE CULTIVATOR UNIT MAIN FRAME	7
3. DISC SET U786, U786/1, U786/2	10
4. U786 DISC-TYPE STUBBLE CULTIVATOR UNIT EXTREME DISC - (OPTIONAL)	12
5. U786, U786/1, U786/2 SCRAPER MOUNT	15
6. U786, U786/1, U786/2 TUBULAR SHAFT	18
7. U786, U786/1, U786/2 LIGHT-SIGNALLING	20
NOTES	22

1. U786, U786/1, U786/2 DISC-TYPE STUBBLE CULTIVATOR UNIT

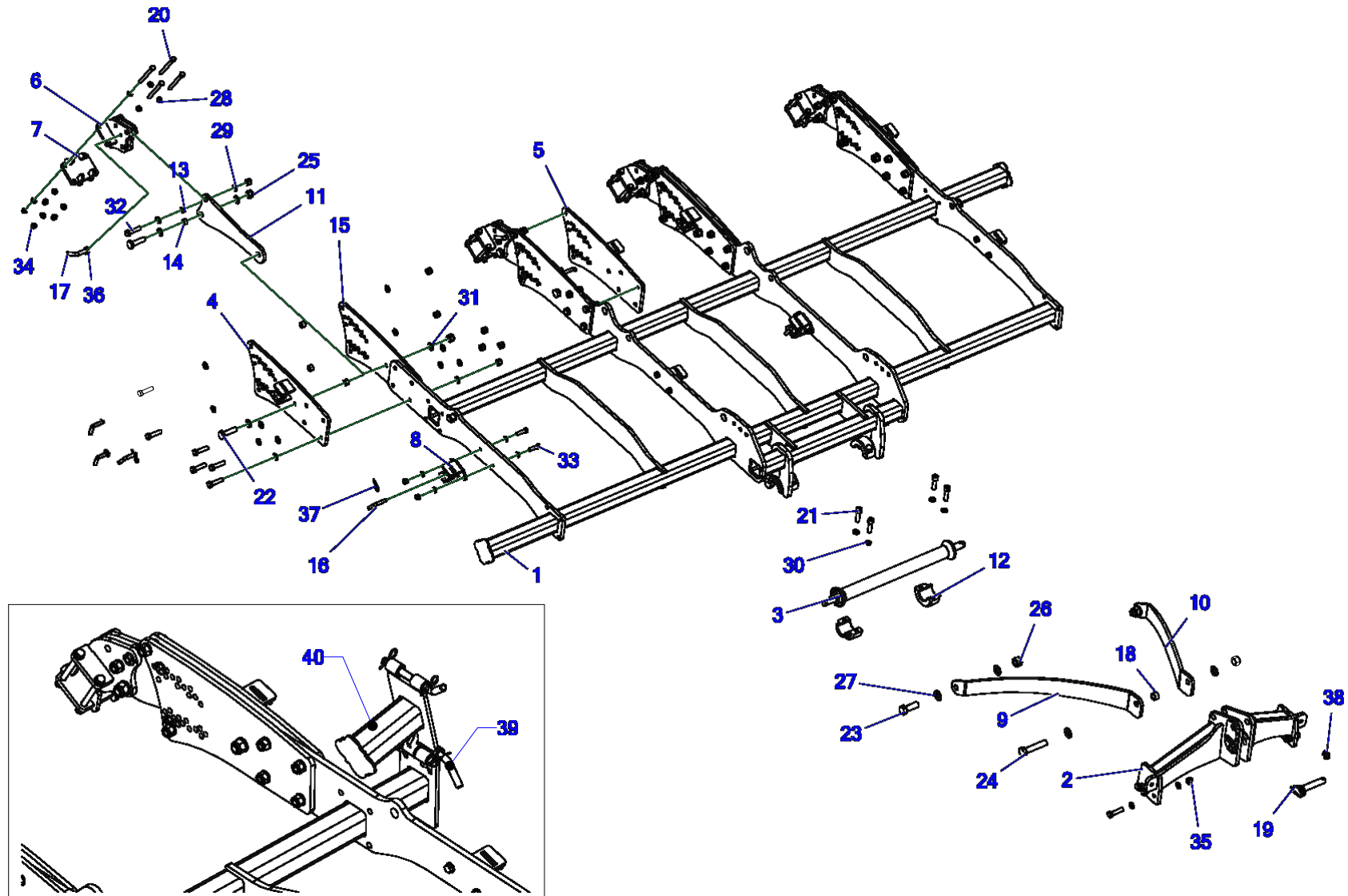




No.	Name	U786 – 4m		U786/1 – 3.5m		U786/2 – 3m	
		Fig. or index no.	Quantity	Fig. or index no.	Quantity	Fig. or index no.	Quantity
1	Unit frame	U786 01.00.00	1	U786/1 01.00.00	1	U786/2 01.00.00	1
2	Disc support 620mm - front - set	U786 02.00.00	16	U786 02.00.00	14	U786 02.00.00	12
3	Disc support 620mm - front - set	U786 03.00.00	16	U786 03.00.00	14	U786 03.00.00	12
4	Scraper bar, right, set	U786 04.00.00	1	U786/1 02.00.00	1	U786/2 02.00.00	1
4	Scraper bar, right, set	U786 04.00.00	1	U786/1 02.00.00	1	U786/2 02.00.00	1
5	Scraper bar, left, set	U786 05.00.00	1	U786/1 03.00.00	1	-	-
5	Scraper bar, left, set	U786 05.00.00	1	U786/1 03.00.00	1	-	-
6	Tubular shaft, set	U786 06.00.00	2	U786/1 04.00.00	1	U-710 04.00.00	1
7	Extreme disc, set (OPTIONAL)	U786 07.00.00	1	U786 07.00.00	1	U786 07.00.00	1
8	Light-signalling (OPTIONAL)	-	-	U786 06.00.00	1	U786 06.00.00	1

*The markings in the parts catalogue are consistent with the markings used by Metal-Fach.

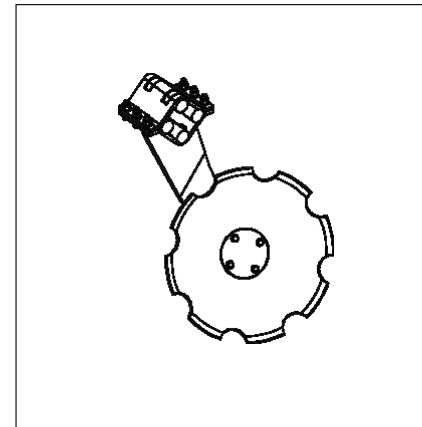
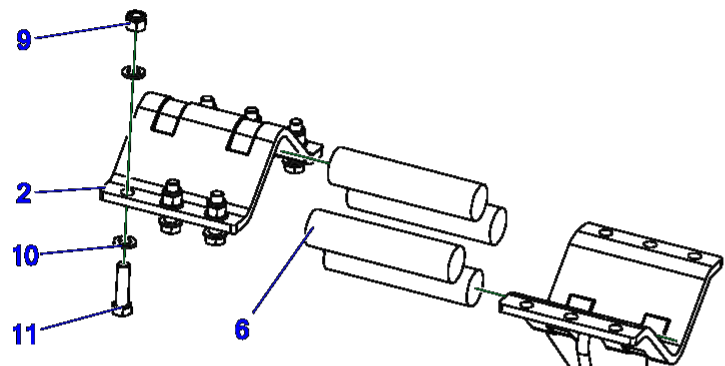
2. U786 DISC-TYPE STUBBLE CULTIVATOR UNIT MAIN FRAME



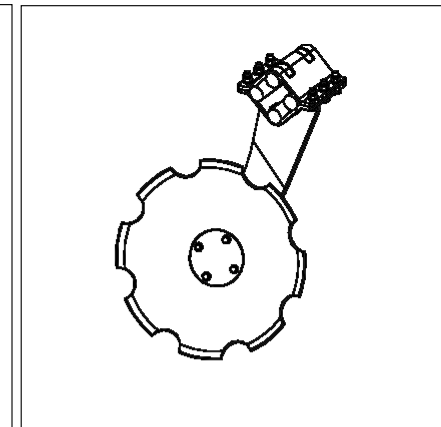
No.	Name	U786 – 4m		U786/1 – 3.5m		U786/2 – 3m	
		Fig. or index no.	Quantity	Fig. or index no.	Quantity	Fig. or index no.	Quantity
1	Main frame	U786 01.01.00	1	U786 01.01.00	1	U786/2 01.01.00	1
2	Triangle, upper	U786 01.02.00	1	U786 01.02.00	1	U786 01.02.00	1
3	Bottom bar	U786 01.03.00	1	U786 01.03.00	1	U786 01.03.00	1
4	Shaft plate with mount right scraper	U786 01.04.00	2	U786 01.04.00	2	U786 01.04.00	1
5	Shaft plate with mount left scraper	U786 01.05.00	2	U786 01.05.00	2	U786 01.05.00	1
6	Shaft mount	U786 01.06.00	4	U786 01.06.00	4	U786 01.06.00	3
7	Screw-on shaft mount	U786 01.07.00	4	U786 01.07.00	4	U786 01.07.00	3
8	Scraper mount	U786 01.08.00	4	U786 01.08.00	4	U786 01.08.00	2
9	Upper frame sheet, right	U786 01.00.01	1	U786 01.00.01	1	U786 01.00.01	1
10	Upper frame sheet, left	U786 01.00.02	1	U786 01.00.02	1	U786 01.00.02	1
11	Shaft sheet	U786 01.00.03	4	U786 01.00.03	4	U786 01.00.03	3
12	Threaded ploughshare	U786 01.00.04	2	U786 01.00.04	2	U786 01.00.04	2
13	Spacer bushing	U786 01.00.05	12	U786 01.00.05	12	U786 01.00.05	9
14	Shaft sheet sleeve	U786 01.00.06	8	U786 01.00.06	8	U786 01.00.06	6
15	Shaft sheet	U786 01.04.01M	4	U786 01.04.01M	4	U786 01.04.01M	4
16	Adjusting pin II	U-710 02.00.08	16	U-710 02.00.08	16	U-710 02.00.08	10
17	Shaft adjusting pin	U741 00.00.04	4	U741 00.00.04	4	U741 00.00.04	3
18	Spacer bushing	U490 01.00.03	1	U490 01.00.03	1	U490 01.00.03	1
19	Upper triangle pin	U490 01.04.00	1	U490 01.04.00	1	U490 01.04.00	1
20	Screw 16x180 10.9 gal 82101	POD-ELZ-000385	16	POD-ELZ-000385	16	POD-ELZ-000385	12
21	Allen screw 20x70gal 10.9 82302	POD-ELZ-000866	4	POD-ELZ-000866	4	POD-ELZ-000866	4

No.	Name	U786 – 4m		U786/1 – 3.5m		U786/2 – 3m	
		Fig. or index no.	Quantity	Fig. or index no.	Quantity	Fig. or index no.	Quantity
22	Screw 24x80 gal 10.9 82101	POD-ELZ-000470	8	POD-ELZ-000470	8	POD-ELZ-000470	6
23	Screw 30x90 gal 8.8 82101	POD-ELZ-000392	2	POD-ELZ-000392	2	POD-ELZ-000392	2
24	Screw 30x150 10.9 gal 82101	POD-ELZ-000696	1	POD-ELZ-000696	1	POD-ELZ-000696	1
25	Nut, self-locking M24 gal 8 82175	POD-ELZ-000399	8	POD-ELZ-000399	8	POD-ELZ-000399	6
26	Self-locking nut M30 gal 82175	POD-ELZ-000042-1	3	POD-ELZ-000042-1	3	POD-ELZ-000042-1	3
27	Round washer 30, 5 mm thickness, gal	POD-ELZ-000507	6	POD-ELZ-000507	6	POD-ELZ-000507	6
28	Round washer 16gal 82005	23P16OOC	48	23P16OOC	48	23P16OOC	32
29	Round washer 20gal 82005	23P20OC	68	23P20OC	68	23P20OC	54
30	Spring washer 20.5gal 82008	23P20SPOC	4	23P20SPOC	4	23P20SPOC	4
31	Round washer 24gal 82005	23P24OC	16	23P24OC	16	23P24OC	12
32	Screw 20x80gal 82101	23S20-80 8.8OC	34	23S20-80 8.8OC	34	23S20-80 8.8OC	27
33	Screw 16x60gal 82101 82101	23S16-60 8.8 82101 OC	8	23S16-60 8.8 82101 OC	8	23S16-60 8.8 82101 OC	4
34	Nut, self-locking M16 gal 82175 8	23NS16OC	24	23NS16OC	24	23NS16OC	16
35	Nut, self-locking M20 gal 82175 8	23NS20OC 82175	34	23NS20OC 82175	34	23NS20OC 82175	27
36	Cotter pin with a ring 4.5mm	POD-ELZ-000444	11	POD-ELZ-000444	11	POD-ELZ-000444	9
37	Spring safety pin cap. 4 (letter R cap.)	23ZRFI4	8	23ZRFI4	16	23ZRFI4	12
38	Cotter pin with a ring 11	23PR11	1	23PR11	1	23PR11	1
39	Pin	-	-	U-740 00.00.05	4	U-740 00.00.05	4
40	Retractable disc support	-	-	U786/1 01.02.00	2	U786/1 01.02.00	2

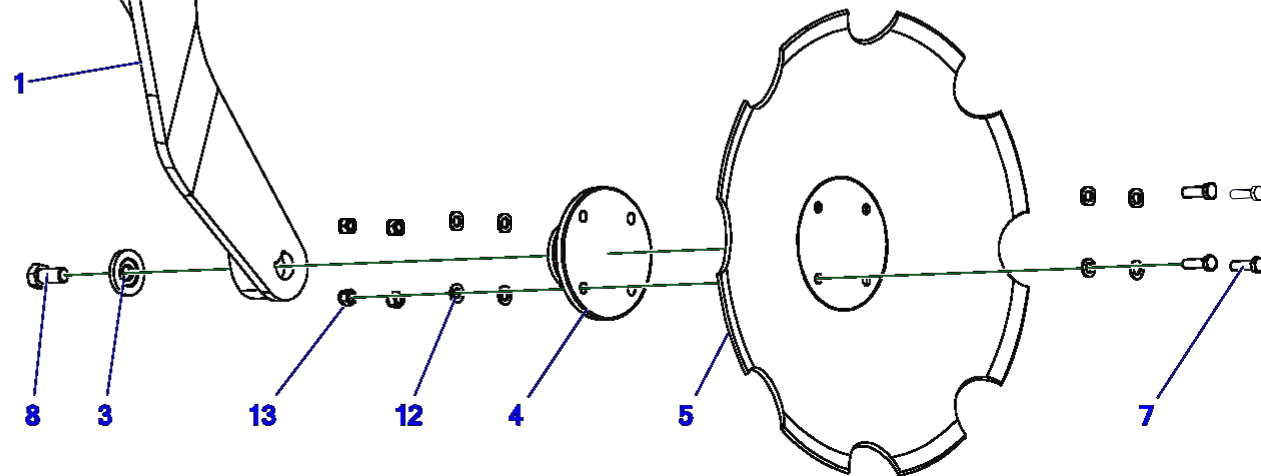
3. DISC SET U786, U786/1, U786/2



U786 02.00.00
Disc support 620 mm
-front -set

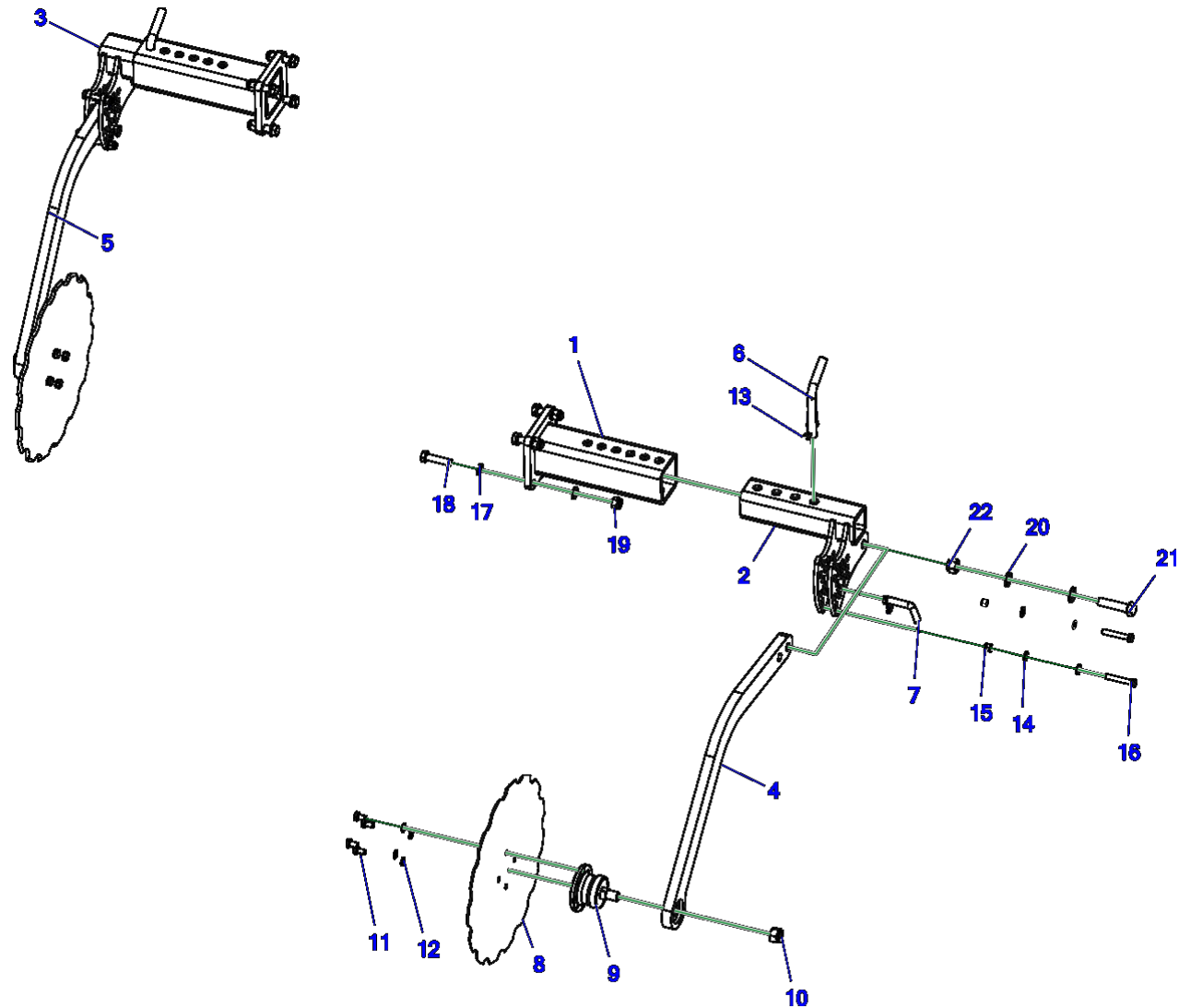


U786 03.00.00
Disc support 620 mm
-rear -set



No.	Name	U786 – 4m		U786/1 – 3.5m		U786/2 – 3m	
		Fig. or index no.	Quantity	Fig. or index no.	Quantity	Fig. or index no.	Quantity
1	Disc support 620mm - front	U786 02.01.00	1		1		1
2	Roof of the disc support 200 mm pressed	U786 02.00.01	1		1		1
3	Hub screw washer	U786 02.00.02	1		1		1
4	BAA0026 maintenance-free hub	POD-LOZ-000266	1		1		1
5	Serrated disc fi 620/8	POD-OGL-000826	1		1		1
6	Unit rubber shock absorber 50x210	POD-TSZ-000213	4		4		4
7	Bolt 12x40gal 10.9 82105	POD-ELZ-000421	4		4		4
8	Inch screw 3/4x1.1/2 UNF (38-42mm) 10.9 82105 gal	POD-ELZ-000735	1		1		1
9	Nut, self-locking M16 gal 82175 8	23NS16OC	6		6		6
10	Round washer 16gal 82005	23P16OOC	12		12		12
11	Screw 16x60gal 82101 82101	23S16-60 10.9 82101 OC	6		6		6
12	Round washer 12gal 82005	23P12OC	8		8		8
13	Self locking nut M12	23NS12OC	4		4		4

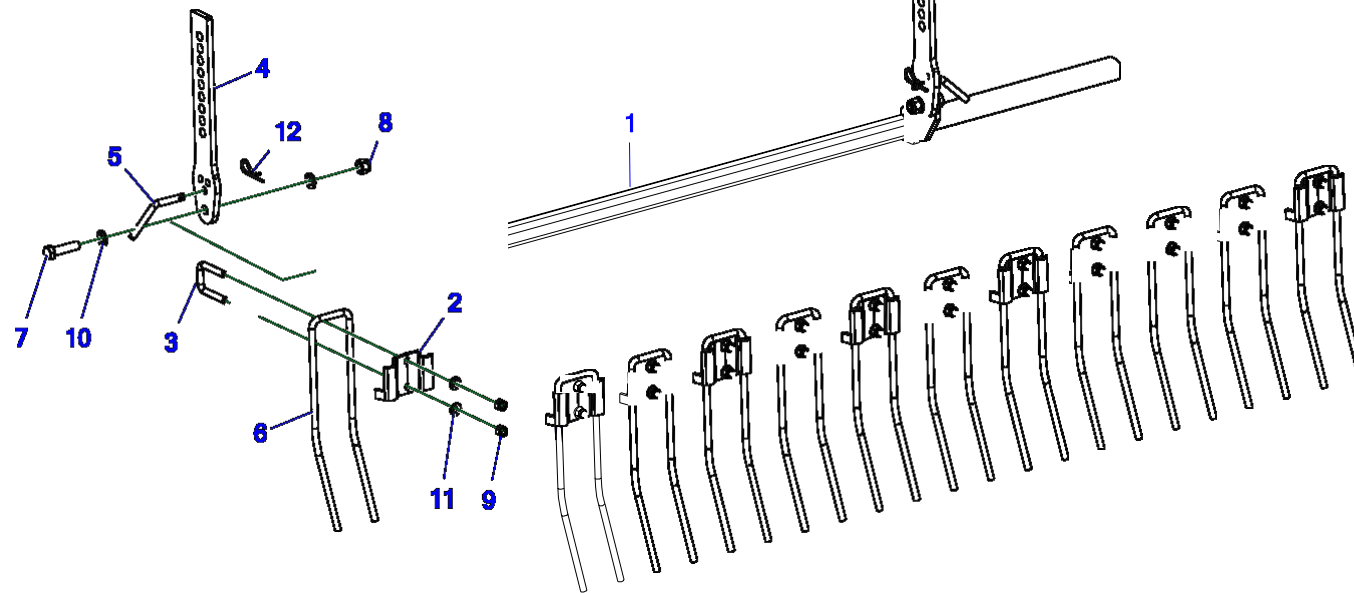
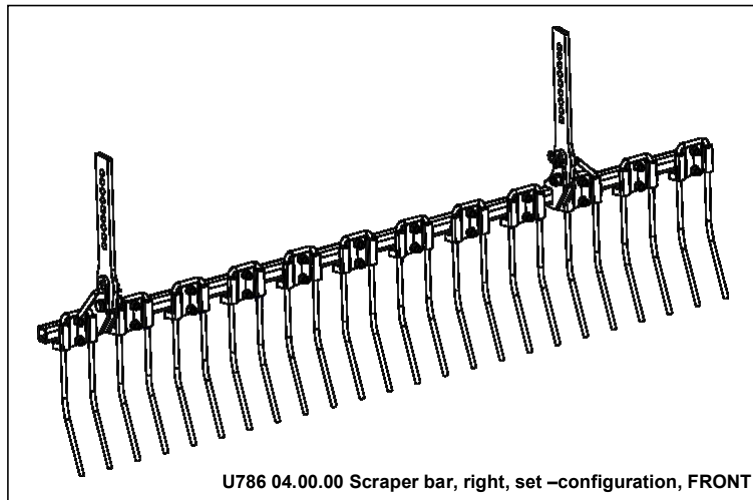
4. U786 DISC-TYPE STUBBLE CULTIVATOR UNIT EXTREME DISC - (OPTIONAL)



No.	Name	U786 – 4m		U786/1 – 3.5m		U786/2 – 3m	
		Fig. or index no.	Quantity	Fig. or index no.		Fig. or index no.	Quantity
1	Cut-off disc support	U786 07.01.00	2		2		2
2	Right support	U786 07.02.00	1		1		1
3	Left support	U786 07.03.00	1		1		1
4	Disc support arm, right	U786 07.00.01	1		1		1
5	Disc support arm, left	U786 07.00.02	1		1		1
6	Pin V	U-710 01.00.13	2		2		2
7	Adjusting pin II	U-710 02.00.08	2		2		2
8	Disc fi 475/4 thickness 6mm	POD-OGL-001024	2		2		2
9	SKF maintenance-free hub	POD-LOZ-000174	2		2		2
10	Self-locking nut M22x1.5 gal 10.9	POD-ELZ-000623	2		2		2
11	Bolt 12x1.25x20 10.9 82105 gal	POD-ELZ-000629	8		8		8
12	Spring washer 12gal 82008	23P12SP	8		8		8
13	Spring safety pin cap. 4 (letter R cap.)	23ZRFI4	4		4		4
14	Round washer 12gal 82005	23P12OC	8		8		8
15	Self locking nut M12	23NS12OC	4		4		4
16	Screw 12x70gal 82101	23S12-70OC 8.8	4		4		4
17	Round washer 16gal 82005	23P16OOC	16		16		16
18	Screw 16x65gal 8.8 82101 82101	23S16-65OC 8.8	8		8		8

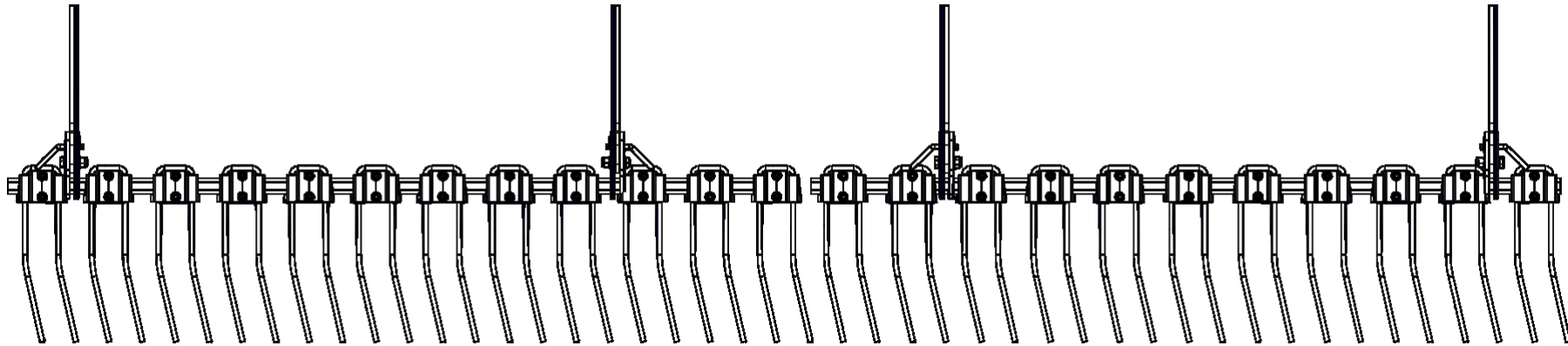
No.	Name	U786 – 4m		U786/1 – 3.5m		U786/2 – 3m	
		Fig. or index no.	Quantity	Fig. or index no.		Fig. or index no.	Quantity
19	Nut, self-locking M16 gal 82175 8	23NS16OC	8		8		8
20	Round washer 20gal 82005	23P20OC	4		4		4
21	Screw 20x80gal 82101	23S20-80 8.8OC	2		2		2
22	Nut, self-locking M20gal 82175 8 82175 8	23NS20OC 82175	2		2		2

5. U786, U786/1, U786/2 SCRAPER MOUNT



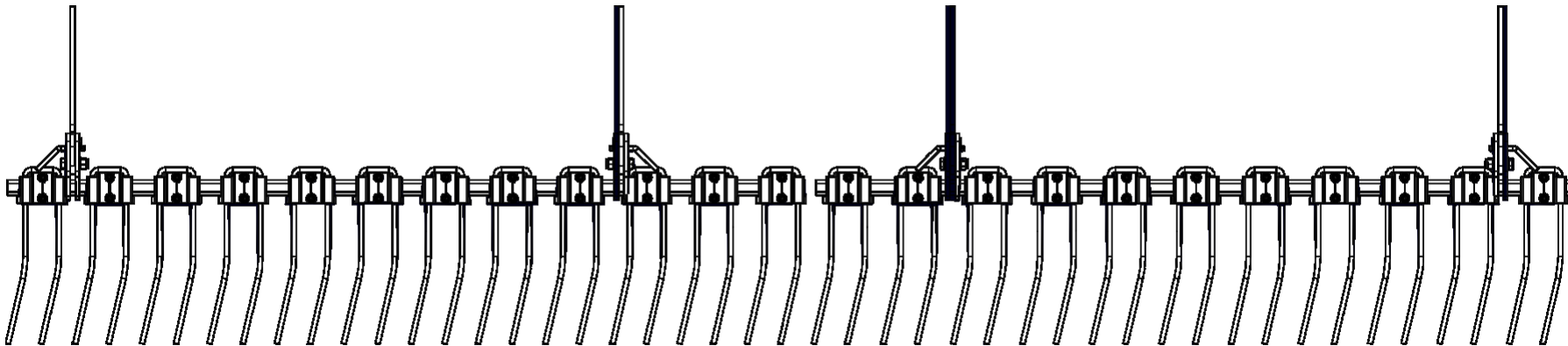
U786 04.00.00 Scraper bar, right, set –configuration, FRONT
U786 04.01.00 Scraper bar, right

U786 05.00.00 Scraper bar, left, set –configuration, FRONT
U786 05.01.00 Scraper bar, left



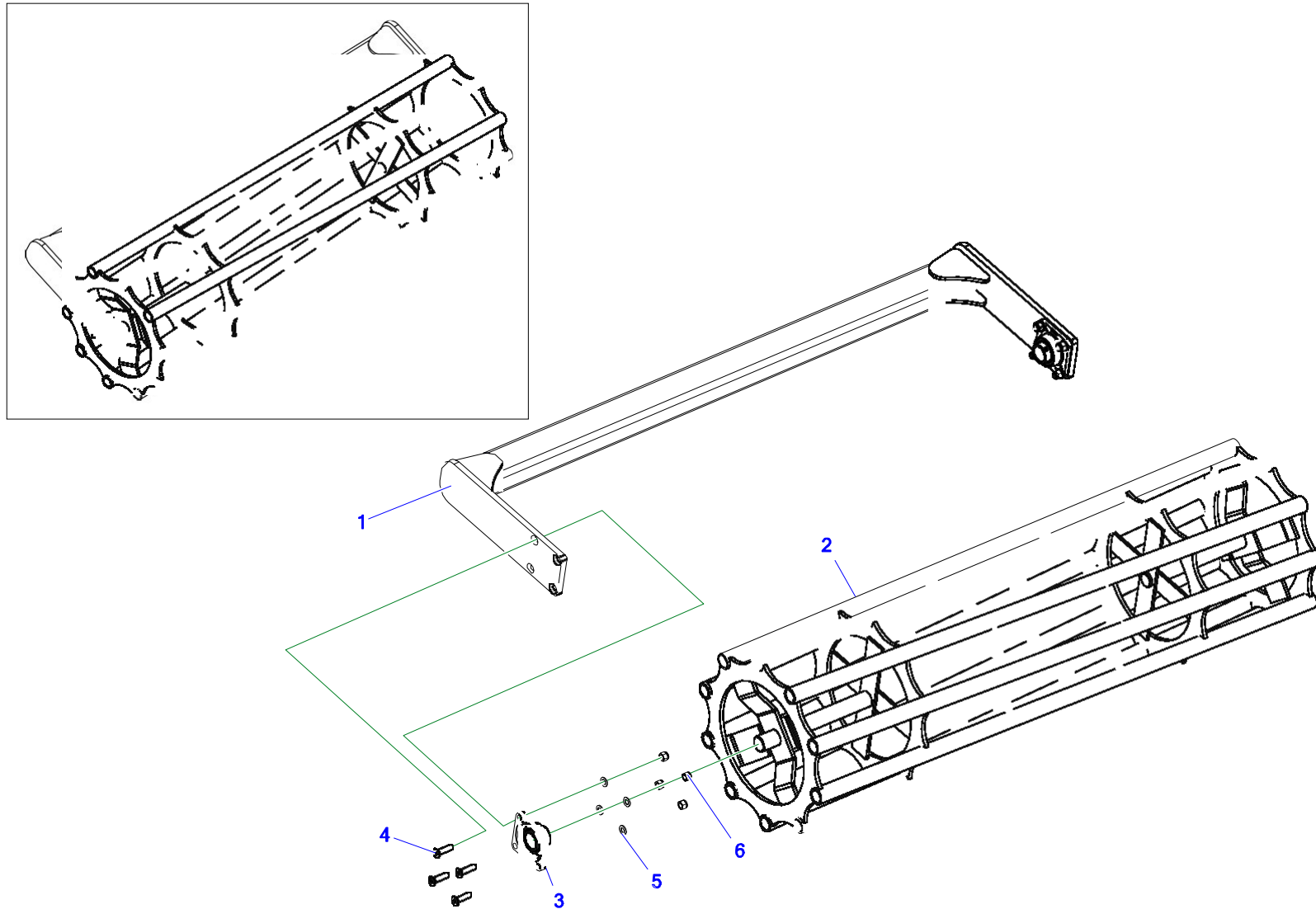
U786 04.00.00 Scraper bar, right, set - configuration BACK
U786 04.01.00 Scraper bar, right

U786 05.00.00 Scraper bar, left, set - configuration BACK
U786 05.01.00 Scraper bar, left



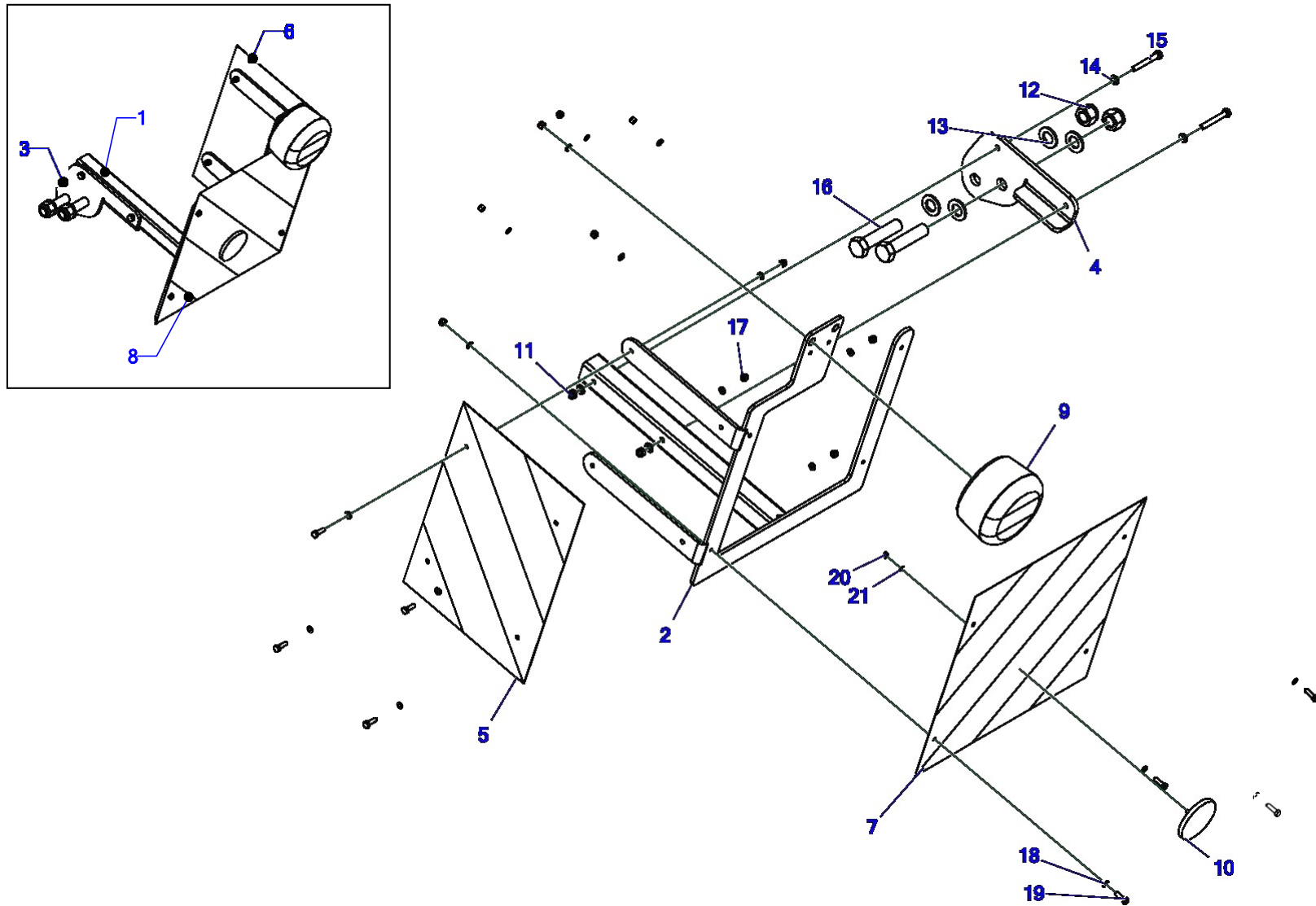
No.	Name	U786 – 4m		U786/1 – 3.5m		U786/2 – 3m	
		Fig. or index no.	Quantity	Fig. or index no.	Quantity	Fig. or index no.	Quantity
1	Scraper bar, right	U786 04.01.00	1	U786/1 02.01.00	1	U786/2 02.01.00	1
2	Scraper mount	U786 04.00.01	12	U786 04.00.01	11	U786 04.00.01	17
3	U-bolt clamp scraper mount	U786 04.00.02	12	U786 04.00.02	11	U786 04.00.02	17
4	Adjustment flat bar	U-710 02.00.01	2	U-710 02.00.01	2	U-710 02.00.01	2
5	Adjusting pin	U-710 02.00.07	2	U-710 02.00.07	2	U-710 02.00.07	2
6	Scraping spring 12/452/98 painted (maz-7654)	POD-SPR-000089	12	POD-SPR-000089	11	POD-SPR-000089	17
7	Screw 16x60gal 82101 82101	23S16-60 10.9 82101 OC	2	23S16-60 10.9 82101 OC	2	23S16-60 10.9 82101 OC	2
8	Nut, self-locking M16 gal 82175 8	23NS16OC	2	23NS16OC	2	23NS16OC	2
9	Self locking nut M12	23NS12OC	24	23NS12OC	22	23NS12OC	34
10	Round washer 16gal 82005	23P16OOC	4	23P16OOC	4	23P16OOC	4
11	Round washer 12gal 82005	23P12OC	24	23P12OC	22	23P12OC	34
12	Spring safety pin cap. 4 (letter R cap.)	23ZRFI4	2	23ZRFI4	2	23ZRFI4	2

6. U786, U786/1, U786/2 TUBULAR SHAFT



No.	Name	U786 – 4m		U786/1 – 3.5m		U786/2 – 3m	
		Fig. or index no.	Quantity	Fig. or index no.	Quantity	Fig. or index no.	Quantity
1	Shaft frame	U786 06.01.00	1	U786/1 04.01.00	1	U-710 04.01.00	1
2	String shaft 600mm	U786 06.02.00	1	U786 04.02.00	1	U-710 04.02.00	1
3	Bearing unit FY 50 TR SKF	POD-LOZ-000244	2	POD-LOZ-000244	2	POD-LOZ-000244	2
4	Countersunk screw 16x60gal DIN7991 10.9	POD-ELZ-000693	8	POD-ELZ-000693	8	POD-ELZ-000693	8
5	Round washer 16gal 82005	23P16OOC	8	23P16OOC	8	23P16OOC	8
6	Nut, self-locking M16 gal 82175 8	23NS16OC	8	23NS16OC	8	23NS16OC	8

7. U786, U786/1, U786/2 LIGHT-SIGNALLING



No.	Name	Fig. or index no.	Quantity
1	Lights support, right	U490 02.10.00	1
2	Rear light support, left	U490 02.11.00	1
3	Lighting support - right	U786-1 06.00.01	1
4	Lighting support - left	U786-1 06.00.02	1
5	Warning plate white and red 423mm x 282mm left	POD-ELK-000295	1
6	Warning plate white and red 423mm x 282mm right	POD-ELK-000294	1
7	Warning plate white and red 423mm x 423mm left	POD-ELK-000293	1
8	Warning plate white and red 423mm x 423mm right	POD-ELK-000292	1
9	Lamp 6001110485	POD-ELK-000297	2
10	Red reflector M5x14	POD-ELK-000178	2
11	Nut, self-locking m8gal 82175 8 82175 8	23NS8OC	4
12	Nut, self-locking M20 gal 82175 8 82175 8	23NS20OC 82175	4
13	Round washer 20gal 82005 82005	23P20OOC	8
14	Round washer 8gal 82005 82005	23P8OOC	8
15	Screw 8x60gal 8.8 82105	POD-ELZ-000369	4
16	Screw 20x90gal 82101 82101	23S20/90 8.8 101	4
17	Nut, self-locking m6gal 82175 8 82175 8	23NS6OC	20
18	Round washer 6gal 82005 82005	23P6OOC	36
19	Screw 6x20gal 8.8 82105 82105 8.8	23S6/20	16
20	Self locking nut m5gal 82175 8	POD-ELZ-000471	2
21	Round washer 5.3gal 82005 82005	23P5,3OC 82005	2

NOTES

A series of 15 horizontal dotted lines provided for taking notes.

A series of 20 horizontal dotted lines spanning the width of the page, intended for handwritten notes or a table of contents.



Since Metal-Fach Sp. z o.o. is continuously improving its products and adapting its commercial package to fit the customers' needs, we reserve the right to modify our products without prior notice. Therefore, we advise you to contact an authorised dealer or sales representative of Metal-Fach Sp. z o.o., prior to making your decision to purchase.

Metal-Fach Sp. z o.o. will not accept any complaints regarding the data and pictures contained in the catalogue, as the presented range shall not constitute an offer within the meaning of the provisions of the Civil Code.

The pictures do not necessarily show standard accessories.

Original spare parts are available from authorised dealers, both in Poland and abroad, and also at the Metal-Fach retail outlet.

SERVICE

16-100 Sokółka, ul. Kresowa 62
Tel.: +48 85 711 07 80; Fax: +48 85 711 07 93
serwis@metalfach.com.pl

SALES

16-100 Sokółka, ul. Kresowa 62
Tel.: +48 85 711 07 78; Fax: +48 85 711 07 89
handel@metalfach.com.pl

SPARE-PARTS WHOLESALE STORE

16-100 Sokółka, ul. Kresowa 62

WHOLESALE

Tel.: +48 85 711 07 81; fax: +48 85 711 07 93
serwis@metalfach.com.pl

RETAIL SALES

24/7 PHONE: +48 533 111 477
Tel.: +48 85 711 07 90
serwis@metalfach.com.pl

CURRENT INFORMATION ABOUT OUR PRODUCTS CAN BE FOUND ON WWW.METALFACH.COM.PL

