



METAL-FACH



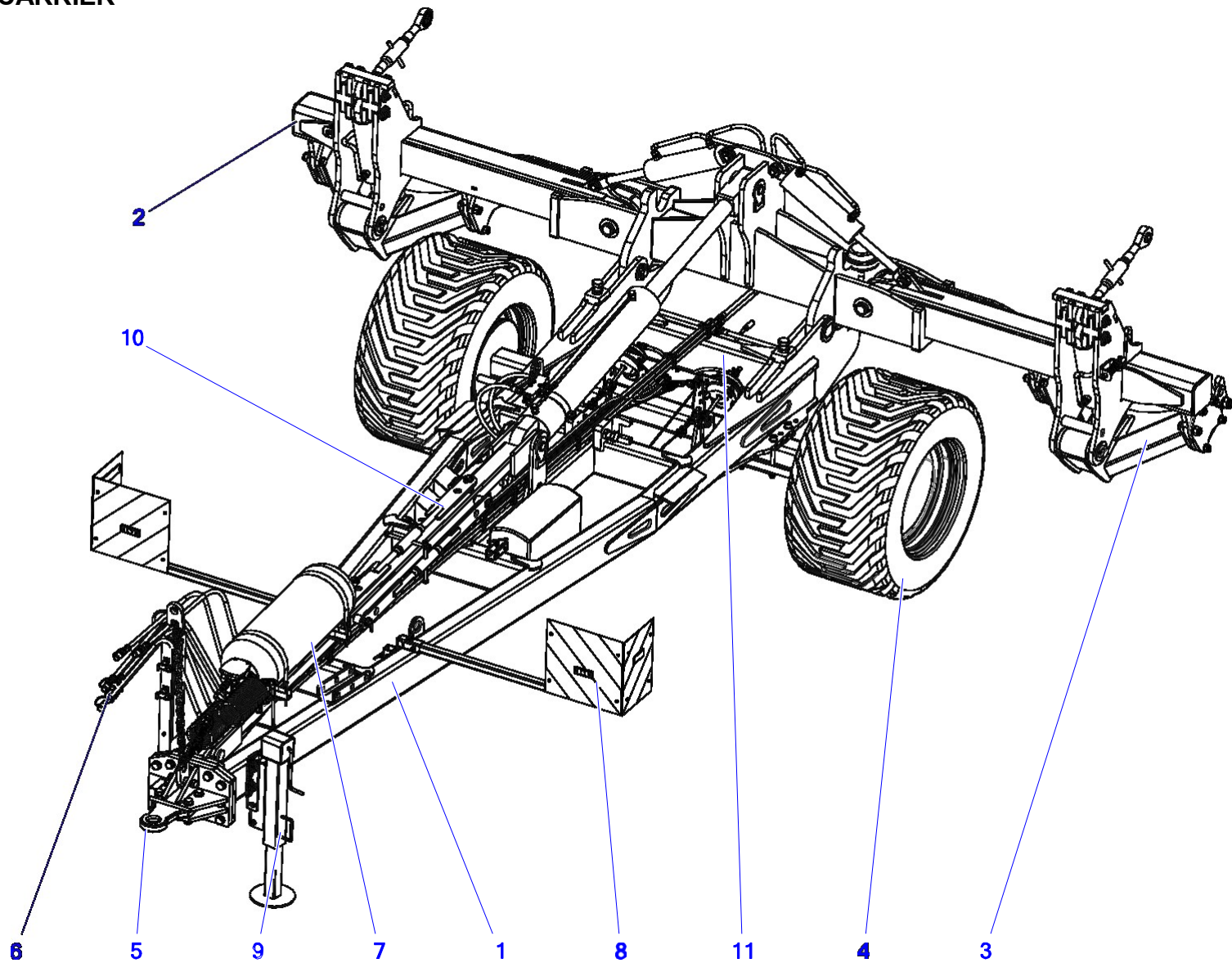
U910 TOOL CARRIER

SPARE PARTS CATALOGUE
REV. I, SEPTEMBER 2017 EN

TABLE OF CONTENTS

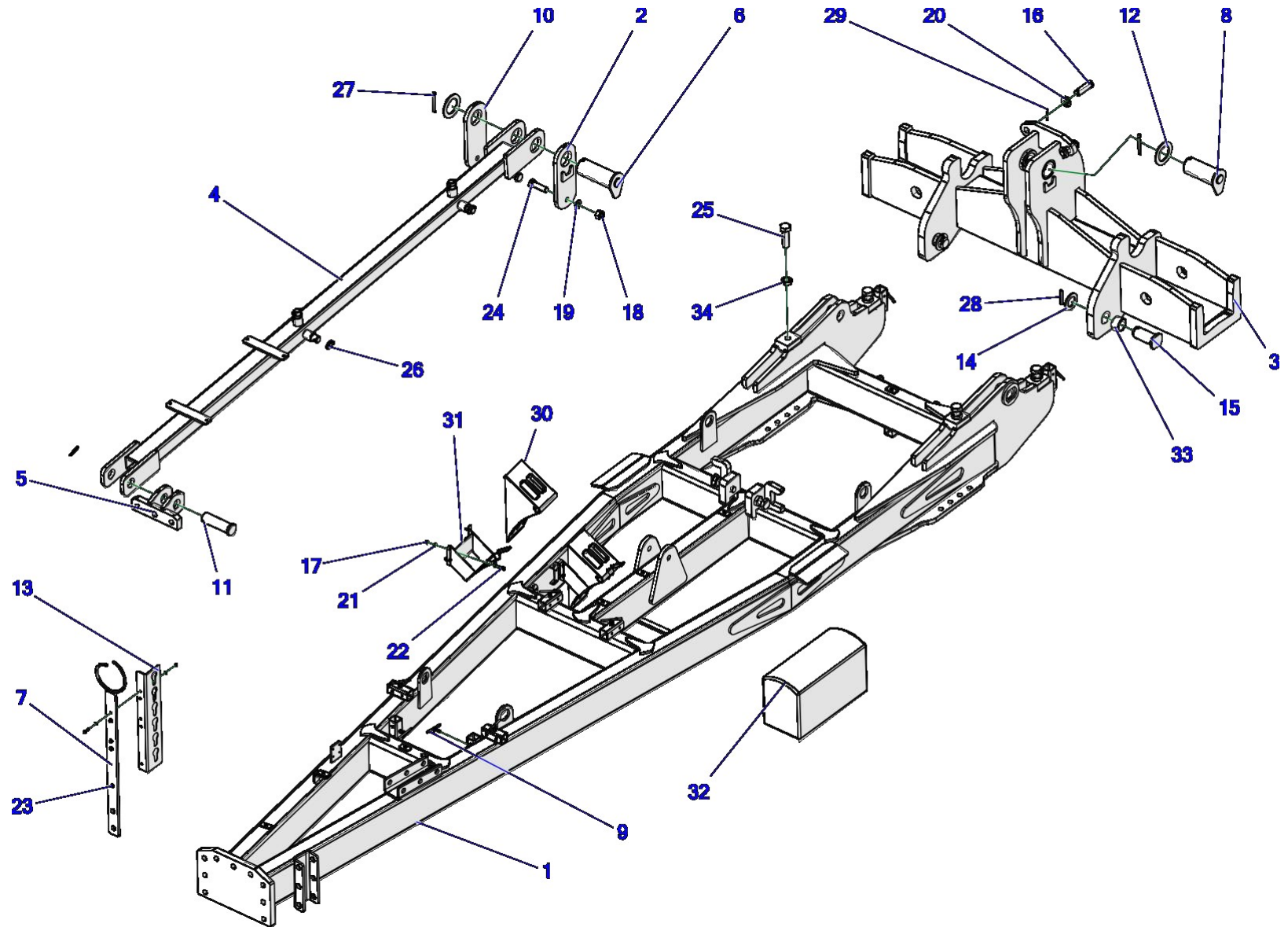
1. U910 TOOL CARRIER	4
2. CHASSIS FRAME	6
3. RIGHT ARM	8
4. LIFT	10
5. LEFT ARM	12
6. TOOL CARRIER AXIS	14
7. HITCH	16
8. CENTRAL ACTUATOR – HYDRAULICS	18
9. FOLDING ARMS	20
10. LIFT	22
11. DUAL-CIRCUIT PNEUMATIC BRAKE SYSTEM	24
12. LIGHTING	26
13. SUPPORT FOOT	28
14. TRANSPORT-SAFETY COUPLING	30
15. PARKING BRAKE	32
16. DUAL-CIRCUIT BRAKE SYSTEM	34

1. U910 TOOL CARRIER



No.	Index	Name	Quantity
1	U910 01.00.00	Chassis frame	1
2	U910 02.00.00	Right arm, set	1
3	U910 03.00.00	Left arm, set	1
4	U910 04.00.00	Tool carrier axis, set	1
5	U910 05.00.00	Hitch, set	1
6	U910 06.00.00	Hydraulic system	1
7	U910 07.00.00	U910 Dual-circuit brake system, set	1
8	U910 08.00.00	Lighting U-910 tool carrier	1
9	U910 09.00.00	Support foot, set Mechanical	1
10	U910 10.00.00	Transport-safety coupling	2
11	U910 11.00.00	Parking brake	1

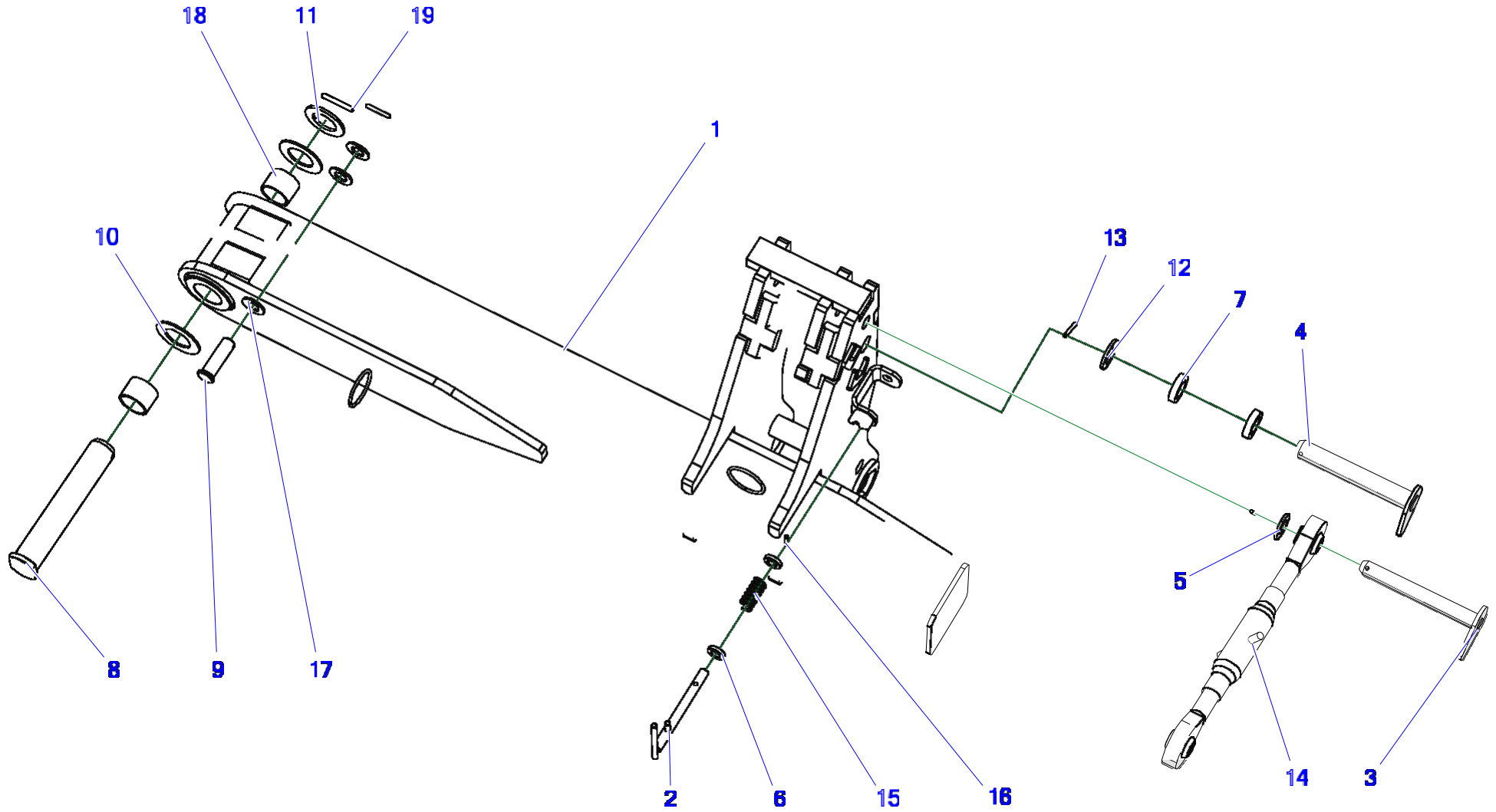
2. CHASSIS FRAME



No.	Index	Name	Quantity
1	U910 01.01.00	Chassis frame	1
2	U910 01.02.00	Actuator mounting plate with lock	1
3	U910 01.03.00	Trolley arms mounting	1
4	U910 01.04.00	Tilt actuator extractor	1
5	U910 01.05.00	Welded extractor eye	1
6	U910 01.06.00	Tilt cylinder pin 1	1
7	U910 01.07.00	Hydraulic conductor support	1
8	U910 01.08.00	Tilt cylinder pin 2	1
9	U910 01.09.00	Set screw	8
10	U910 01.00.01	Actuator mounting plate	1
11	U910 01.00.02	Extraction pin	1
12	U910 01.00.03	Washer 80	2
13	U910 01.00.04	Conductor hanger 6 pcs.	1
14	U910 01.00.05	Pin washer 55	2
15	U910 01.00.06	Tilt pin	2
16	U910 02.00.07	Actuator pin for folding arms	2
17	23NS8OC	Nut, self-locking m8gal 82175 882175 8	13
18	POD-ELZ-000399	Self locking nut M24 gal 8 82175	2

No.	Index	Name	Quantity
19	23P24OC	Round washer 24gal 82005 82005	2
20	23P30OOC	Round washer 30gal 82005 82005	2
21	23P8OOC	Round washer 8gal 82005 82005	26
22	23S8/25OC8.8	Screw 8x25gal 8.8 82105 82105	8
23	23S8/30OC 8.8	Screw 8x30gal 8.8 82105 82105	5
24	POD-ELZ-000470	Screw 24x80gal 10.9 82101	2
25	POD-ELZ-000390	Screw 30x100gal 8.8 82101	6
26	23PR11	Cotter pin with a ring 11	4
27	POD-ELZ-000408	Cotter pin 10x100gal	2
28	POD-ELZ-000350	Resilient stud 10x80 DIN 1481	2
29	POD-ELZ-000009-1	Resilient stud 8x60 DIN 1481 DIN 1481	3
30	POD-OGL-000027-1	Wheel chock	2
31	POD-OGL-000028-1	Chock grip	2
32	POD-OGL-000960	Toolbox, 515x220x277	1
33	POD-LOZ-000280	Sleeve TX 1 SM 5565-40	2
34	POD-ELZ-000855	Nut M30gal low 82153	6

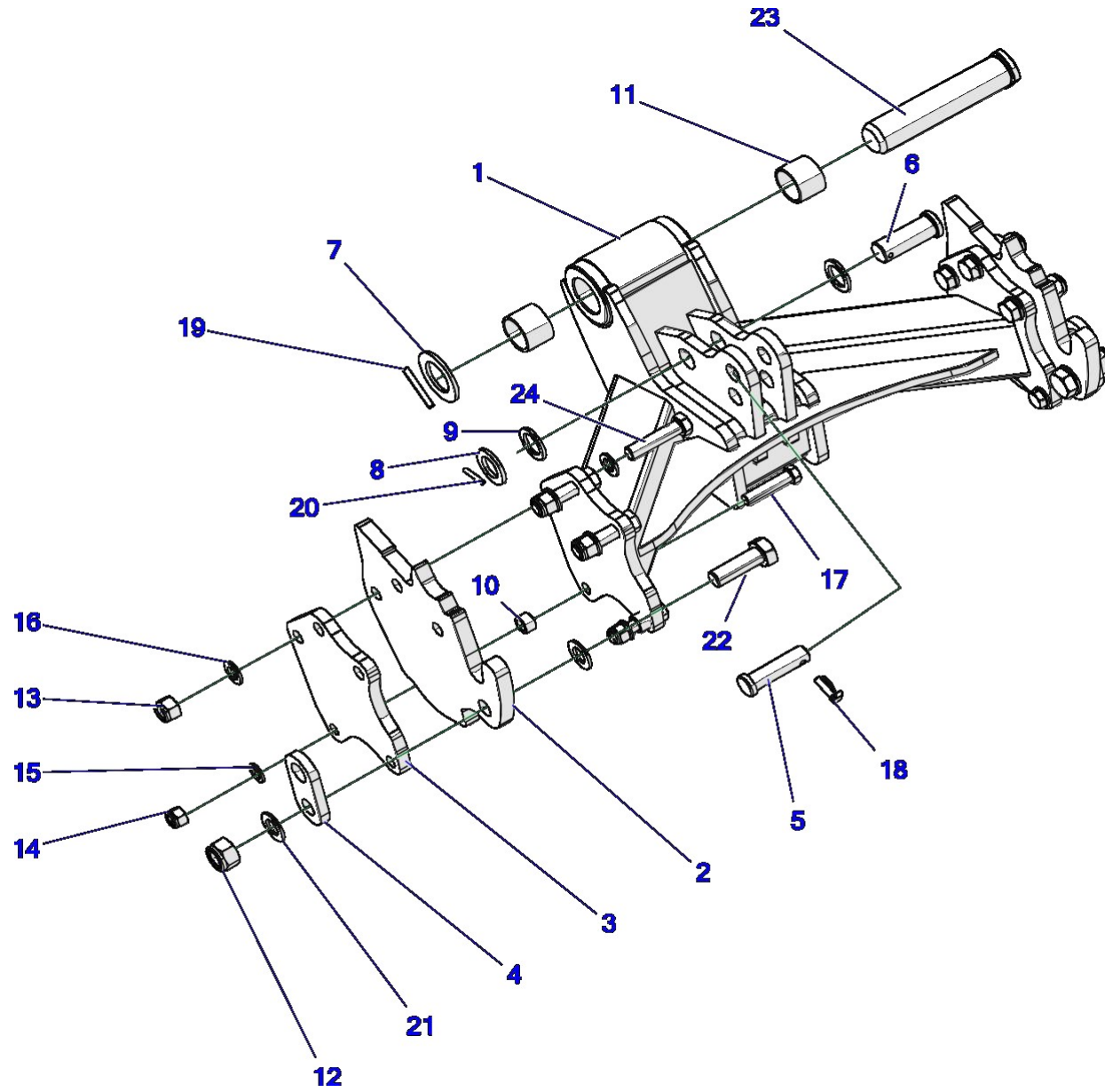
3. RIGHT ARM



No.	Index	Name	Quantity
1	U910 02.01.00	Right arm	1
2	U910 02.03.00	Protective pin, welded	1
3	U910 02.04.00	Coupler pin	1
4	U910 02.05.00	Coupler pin	1
5	U910 02.00.10	Pin washer	1
6	U910 02.00.11	TECAMID Spring washer	2
7	U910 02.00.12	Spacer sleeve of the lift actuator 1	2
8	U910 02.00.16	Lateral arm pin	1
9	U910 02.00.07	Actuator pin for folding arms	1
10	U910 02.00.08	Hardox arm washer	2
11	U910 02.00.06	Pin safety washer 60	1
12	U910 02.00.09	Pin washer	1
13	POD-ELZ-000009-1	Resilient stud 8x60 DIN 1481 DIN 1481	2
14	POD-OGL-000984	Upper coupling M 36 TL3003633KR	1
15	POD-SPR-000050	Compression spring 3/32/70/7 gal (maz-4257)	1
16	POD-ELZ-000540	Resilient stud 8x40 DIN 1481	1
17	POD-ELZ-000507	Round washer M30 gal DIN 125	3
18	POD-LOZ-000279	Sleeve TX 1 SM 6070-50	2

No.	Index	Name	Quantity
19	POD-ELZ-000350	Resilient stud 10x80 DIN 1481	1

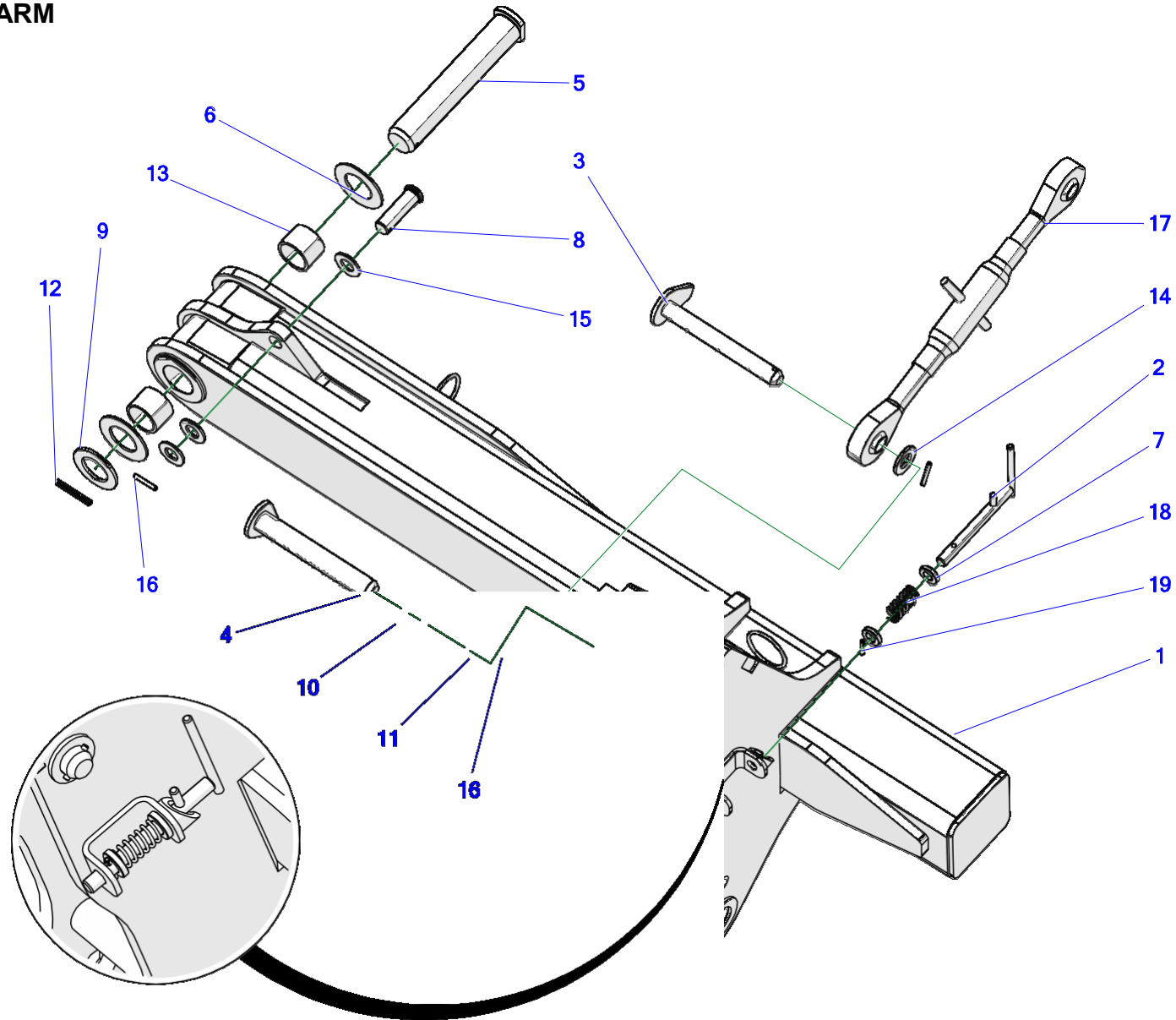
4. LIFT



No.	Index	Name	Quantity
1	U910 02.02.00	Lift triangle assembly	1
2	U910 02.00.01	Sheet 1 for bar mounting	2
3	U910 02.00.02	Sheet 2 for bar mounting	2
4	U910 02.00.03	Lower link bar protection	2
5	U910 02.00.04	Triangle protection pin	1
6	U910 02.00.05	Lift actuator pin	1
7	U910 02.00.06	Pin safety washer 60	1
8	U910 02.00.09	Pin washer	1
9	U910 02.00.13	Spacer sleeve of the actuator 1	2
10	U910 02.00.14	Spacer sleeve	2
11	POD-LOZ-000279	Sleeve TX 1 SM 6070-50	2
12	POD-ELZ-000042-1	Nut, self-locking M30 gal 82175	2
13	POD-ELZ-000399	Nut, self-locking M24 gal 82175	6
14	23NS20OC 82175	Nut, self-locking M20gal 82175 8 82175 8	4
15	23P20OOC	Round washer 20gal 82005 82005	8
16	23P24OC	Round washer 24gal 82005 82005	12
17	POD-ELZ-000825	Screw 20x90 gal 10.9 82101	4
18	23PR11	Cotter pin with a ring 11	1

No.	Index	Name	Quantity
19	POD-ELZ-000350	Resilient stud 10x80 DIN 1481	1
20	23K8/50	Resilient stud 8x50 DIN 1481	1
21	POD-ELZ-000507	Round washer M30 gal DIN 125	4
22	POD-ELZ-000854	Screw 30x90gal 10.9 82101	2
23	U910 02.00.15	Lift pin	1
24	POD-ELZ-000852	Screw 24x100gal 10.9 82101	6

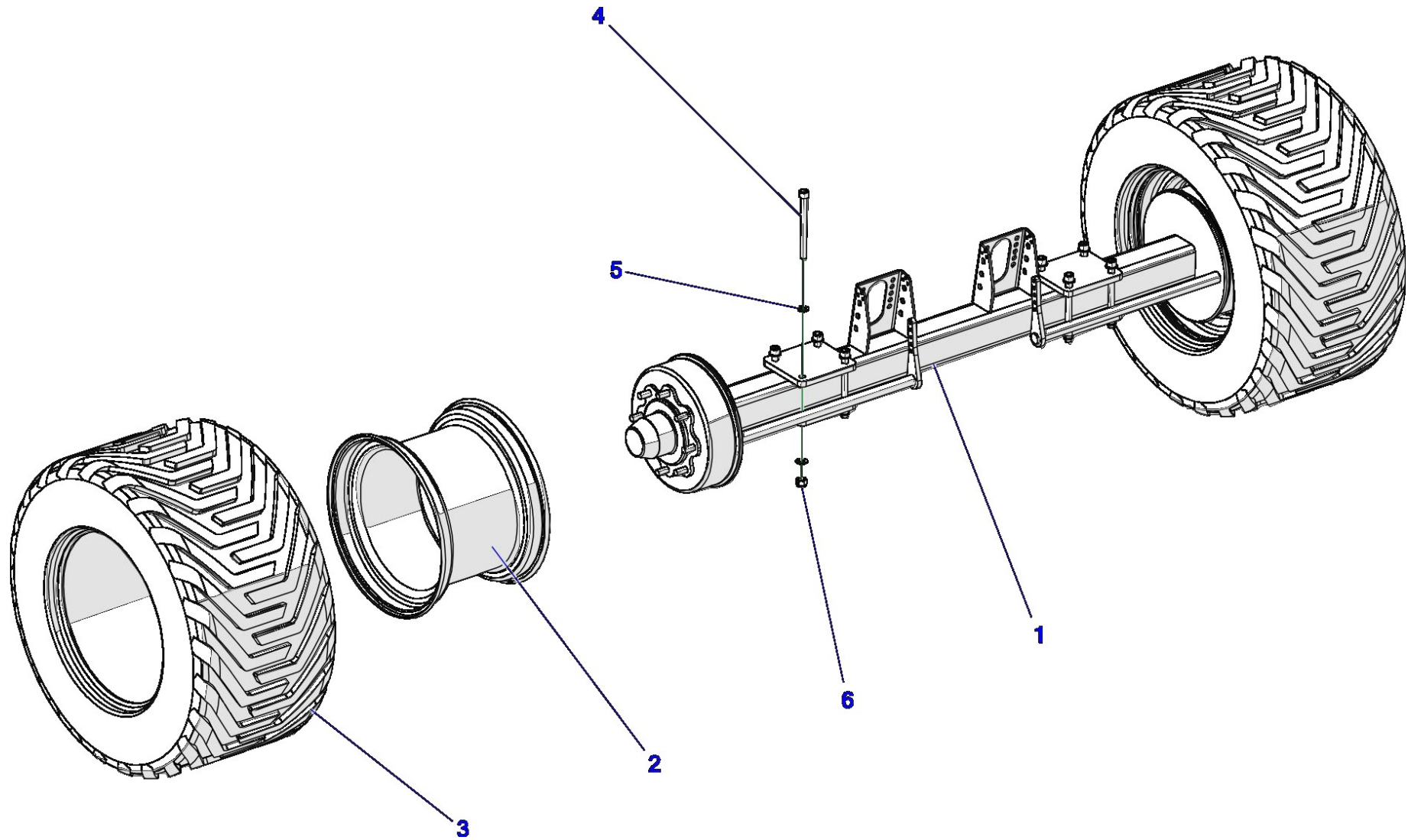
5. LEFT ARM



No.	Index	Name	Quantity
1	U910 03.01.00	Left arm	1
2	U910 02.03.00	Protective pin, welded	1
3	U910 02.04.00	Coupler pin	1
4	U910 02.05.00	Coupler pin	1
5	U910 02.00.16	Lateral arm pin	1
6	U910 02.00.08	Hardox arm washer	2
7	U910 02.00.11	TECAMID Spring washer	2
8	U910 02.00.07	Actuator pin for folding arms	1
9	U910 02.00.06	Pin safety washer 60	1
10	U910 02.00.12	Spacer sleeve of the lift actuator 1	2
11	U910 02.00.09	Pin washer	1
12	POD-ELZ-000350	Resilient stud 10x80 DIN 1481	1
13	POD-LOZ-000279	Sleeve TX 1 SM 6070-50	2
14	U910 02.00.10	Pin washer	1
15	POD-ELZ-000507	Round washer M30 gal DIN 125	3
16	23K8/50	Resilient stud 8x50 DIN 1481	3
17	POD-UGL-000984	Upper coupling M 36 TL3003633KR	1
18	POD-SPR-000050	Compression spring 3/32/70/7 gal (maz-4257)	1

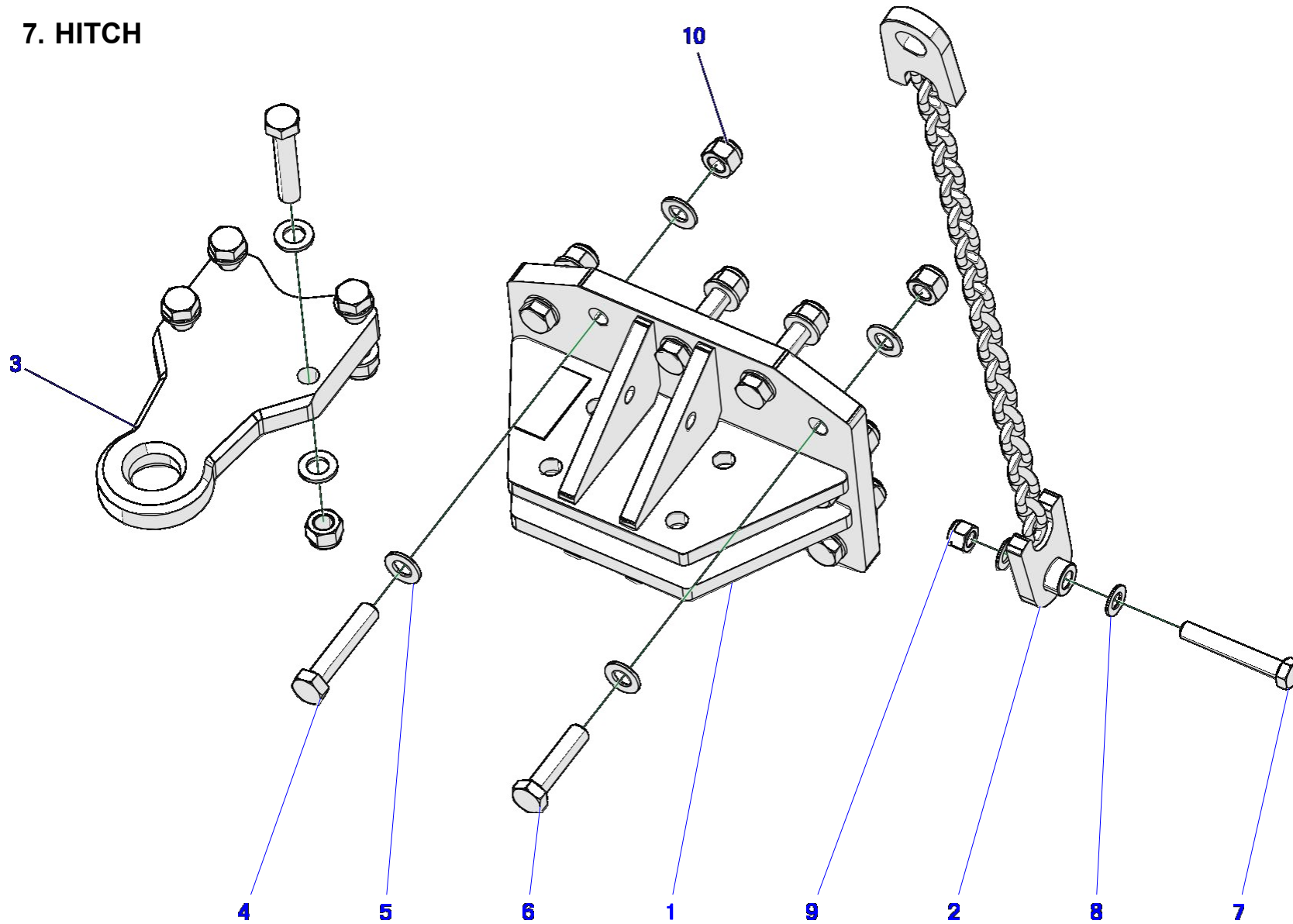
No.	Index	Name	Quantity
19	POD-ELZ-000540	Resilient stud 8x40 DIN 1481	1

6. TOOL CARRIER AXIS



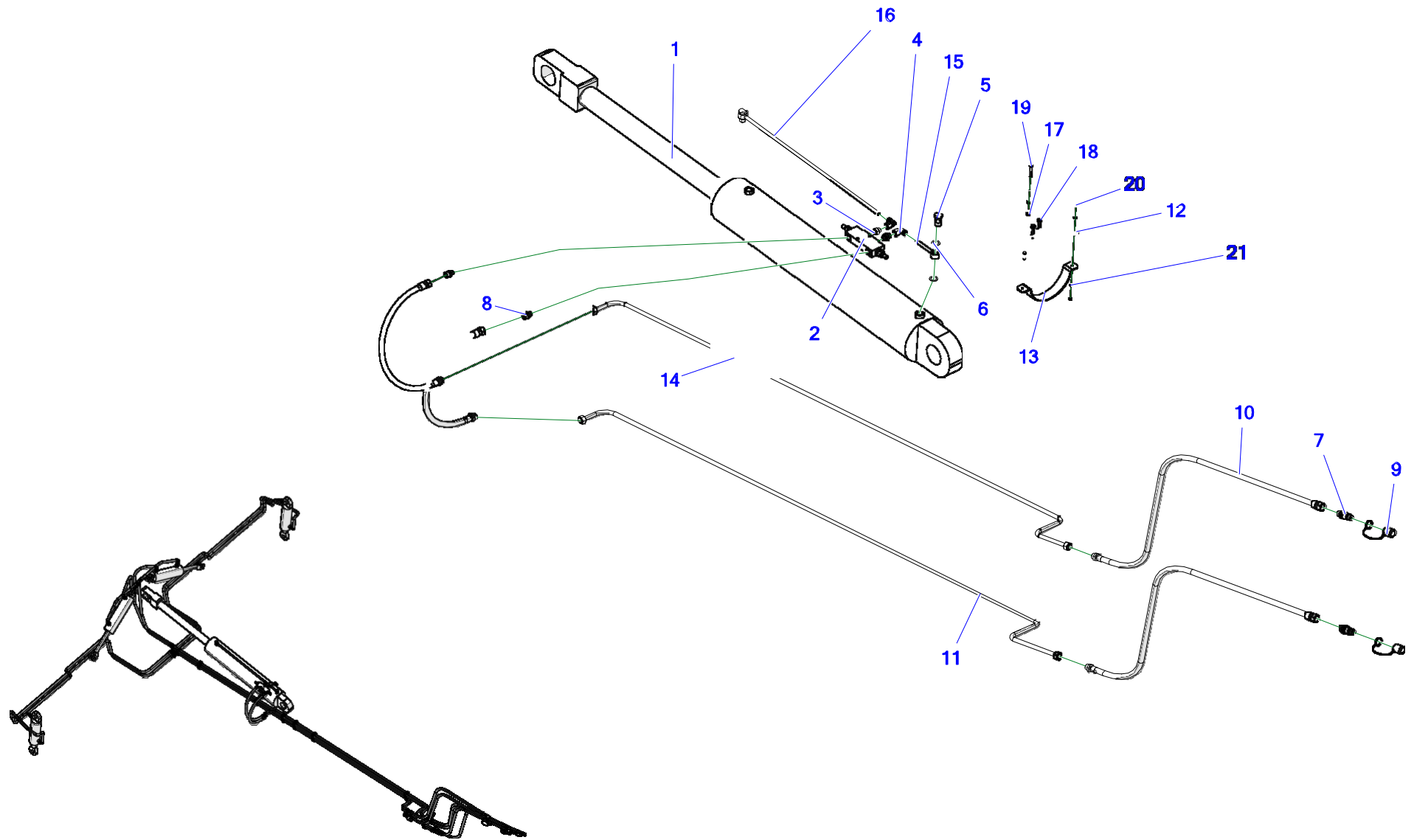
No.	Index	Name	Quantity
1	POD-KOS-000236	Axis T SPE 248-15- 01 AS2TG8TGN002	1
2	POD-KOJ-000178	Rim, 16.00x22.5 225.16.167	2
3	POD-KOJ-000180	Tyre 550/45-22.5 16PR TL ALLIANCE 328 VP	2
4	POD-ELZ-000857	Allen screw 20x220cz 12.9 DIN 912	8
5	23P20OOC	Round washer 20gal 82005 82005	16
6	23NS20OC 82175	Nut, self-locking M20gal 82175 8 82175 8	8

7. HITCH



No.	Index	Name	Quantity
1	U910 05.01.00	Hitch mounting	1
2	U910 05.02.00	Chain, set	1
3	U910 05.00.01	Fixing eye fi 58mm	1
4	POD-ELZ-000448	Screw 24x120 gal 8.8 82105	7
5	23P24OC	Round washer 24gal 82005 82005	26
6	POD-ELZ-000852	Screw 24x100gal 10.9 82101	6
7	POD-ELZ-000736	Screw 20x130gal 10.9 82101	1
8	23P20OOC	Round washer 20gal 82005 82005	2
9	23NS20OC 82175	Nut, self-locking M20gal 82175 8 82175 8	1

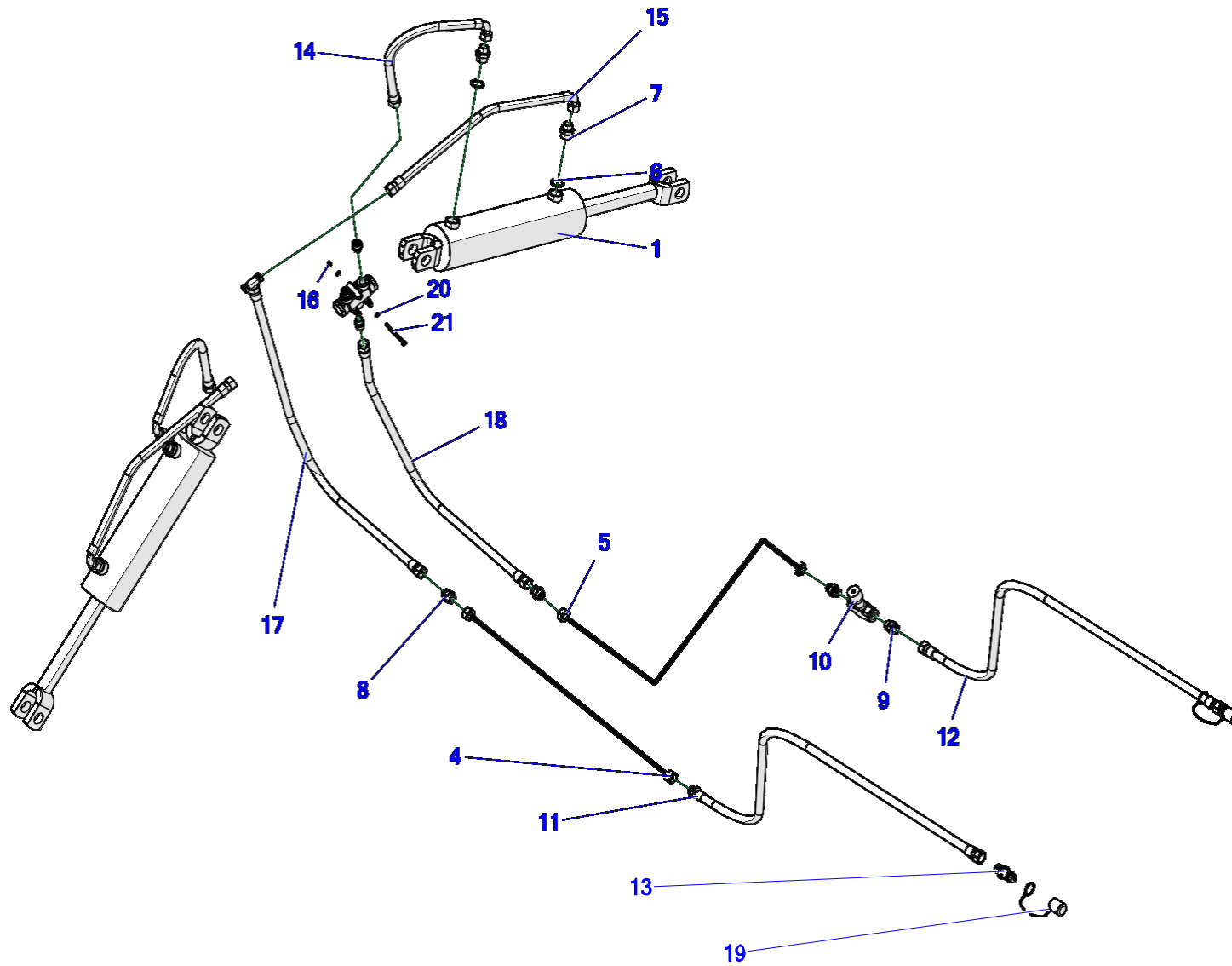
8. CENTRAL ACTUATOR – HYDRAULICS



No.	Index	Name	Quantity
1	POD-HSL-000174	Actuator CJ-S50- 160/80/800*L-1381	1
2	POD-HZW-000060	VBCD overload-blocking valve 3/8" DE-A (V0422)	1
3	24KP3-8 18	Straight connection 3/8x18-1.5 12LR	2
4	24KPKN18X1.5	Adjustable elbow coupling AB M18x1.5 12L	2
5	POD-HPZ-000009-1	Eye screw M22x1.5 22 L38	2
6	24U22	Copper washer fi22x28x1.5	4
7	24ZWE13	EURO valve-plug 13 M22x1.5	2
8	POD-HKR-000001-1	Straight connector 3/8x22x1,5	2
9	24ZWNE13	EURO valve-plug cap 13 (green, yellow, blue, red)	2
10	AB/233/13 L-3000	Hydraulic hose AB/233/13 L-3100	2
11	U910 06.06.00	Tilt actuator tube 1	1
12	U910 06.01.00	Valve support	1
13	U910 06.01.01	Actuator bracket	1
14	U910 06.07.00	Tilt actuator tube 2	1
15	U910 06.09.00	Tilt actuator tube with eye 2	1
16	U910 06.08.00	Tilt actuator tube with eye 1	1
17	23NS8OC	Nut, self-locking m8gal 82175 8 82175 8	3

No.	Index	Name	Quantity
18	23P8OOC	Round washer 8gal 82005 82005	6
19	23S8/50	Screw 8x50cz 8.8 82101 82101	3
20	POD-ELZ-000525	Screw 6x30gal 8.8 82101	2
21	23P6OOC	Round washer 6gal 82005 82005	4

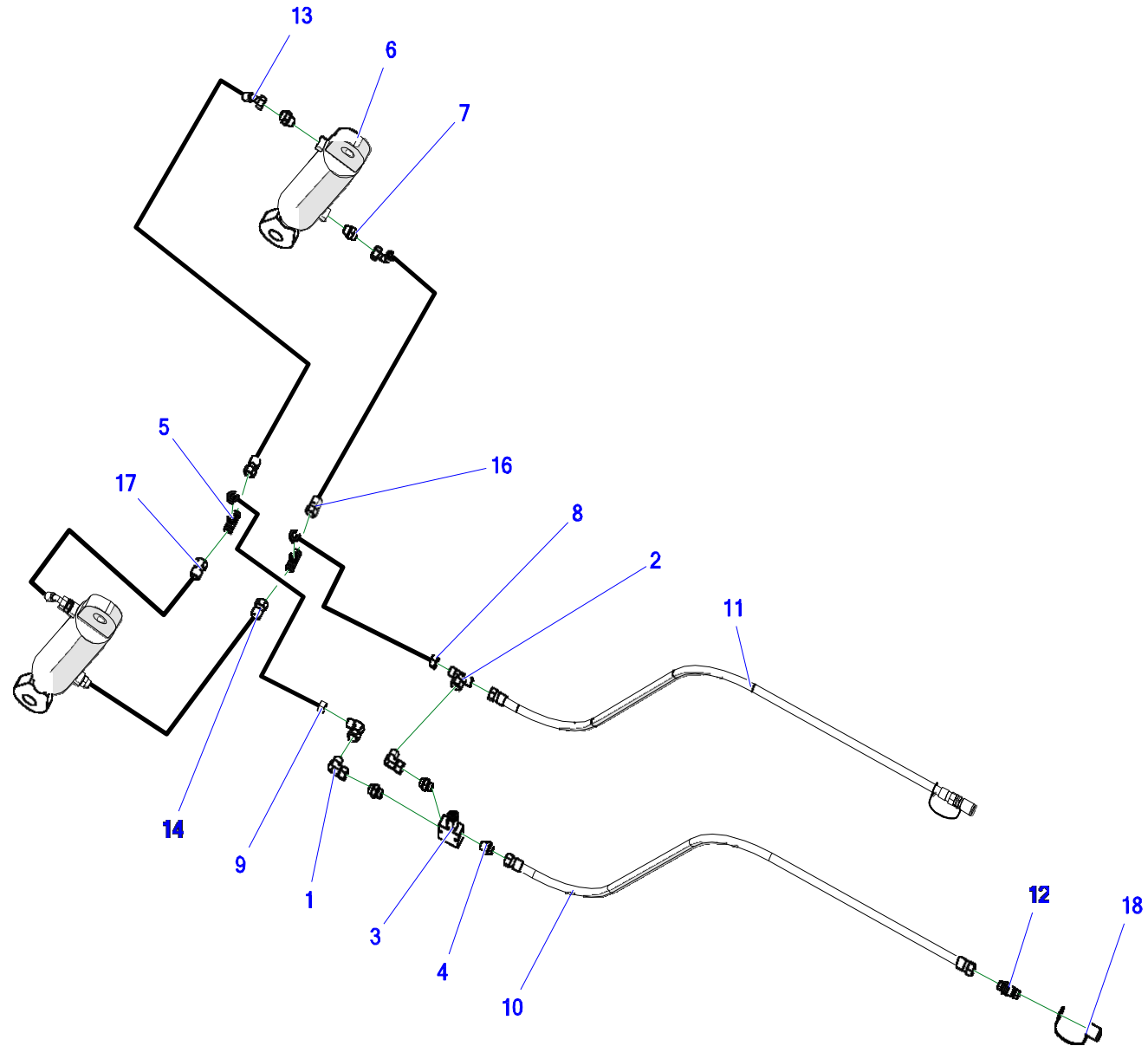
9. FOLDING ARMS



No.	Index	Name	Quantity
1	POD-HSL-000177	Actuator CJ-S343-100/45/250*L-593	2
2	POD-HKR-000001-1	Straight connector 3/8x22x1,5	3
3	POD-HZW-000118	Flow divider V-EQ20	1
4	U910 06/04/2000	Folding-out arms actuator tube 1	1
5	U910 06/05/2000	Folding-out arms actuator tube 2	1
6	POD-HPZ-000052	Metal & rubber washer PPM 3/4" (M27)	4
7	POD-HKR-000074	Straight connection M27x2- M22x1.5	4
8	POD-HKR-000037	Straight connector 22x1.5 15L	2
9	24K1/2 22	Straight connection 1/2 edx22-1.5	2
10	POD-HZW-000116	Throttle valve VRFB 1/2" (VO587)	1
11	AB/233/13 L-3100	Hydraulic hose AB/233/13 L-3100	1
12	AA/233/13 L-3000	Hydraulic hose AA/233/13 L-3000	1
13	24ZWE13	EURO valve-plug 13 M22x1.5	2
14	A90A/233/13 L-450	Hydraulic hose A90A- 233- 13 L-450	2
15	A90A/233/13 L-620	Hydraulic hose A90A- 233-13 L-620	1
16	A90A/233/13 L-620	Hydraulic hose A90A- 233- 13 L-620	1
17	AA/233/13 L1420	Hydraulic hose AA-233- 13 L-1420	1

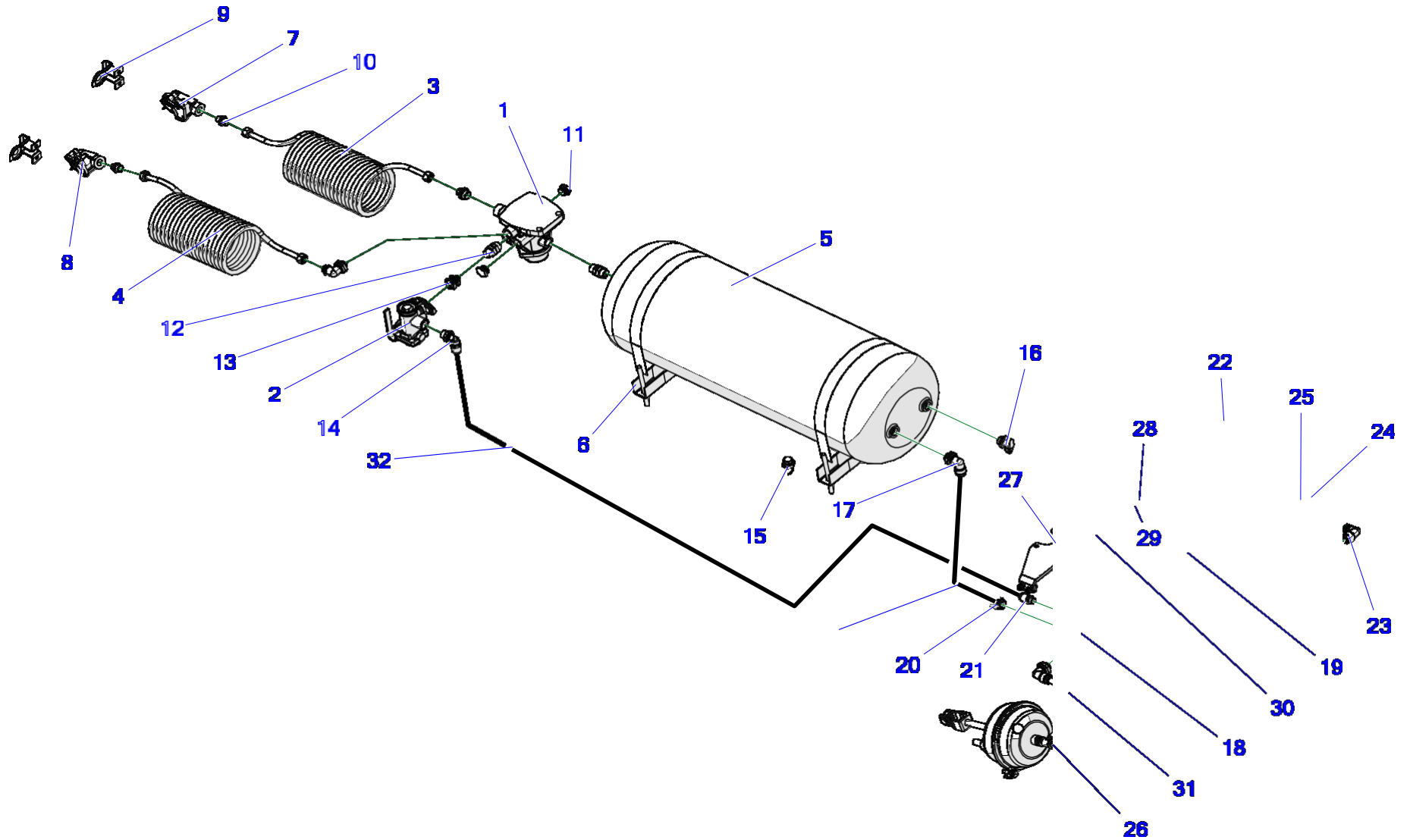
No.	Index	Name	Quantity
18	AA/233/13 L-1200	Hydraulic hose AA-233- 13 L-1200	1
19	24ZWNE13	EURO valve-plug cap 13 (green, yellow, blue, red)	2
20	23P6OOC	Round washer 6gal 82005 82005	6
21	23S6/70 105	Screw 6x70gal 8.8 82101 82101 8.8	3
22	23NS6OC	Nut, self-locking m6gal 82175 8 82175 8	3

10. LIFT



No.	Index	Name	Quantity
1	24KPKN22X1.5	Adjustable elbow connector AB M22x1.5 15L	3
2	24TN22/22/22	T-coupling symmetr.22x22x22 (upper nut)	1
3	POD-HZW-000117	Overflow valve VMP 1/2" (250bar)	1
4	24K1/2 22	Straight connection 1/2 edx22-1.5	3
5	POD-HKR-000007-1	T-coupling 22x22x22 15L	2
6	POD-HSL-000180	Actuator CJ337-16-100/45/200- 16*L-605	2
7	24K22-22	Straight connector 22x22	4
8	U910 06.02.00	Lift tube 1	1
9	U910 06.03.00	Lift tube 2	1
10	AA/233/13 L-3100	Hydraulic hose AA/233/13 L-3100	1
11	AA/233/13 L-3100	Hydraulic hose AA/233/13 L-3100	1
12	24ZWE13	EURO valve-plug 13 M22x1.5	2
13	A90A/233/13 L-3160	Hydraulic hose A90A/233/13 L-3160	1
14	A45A/233/13 L3160	Hydraulic hose A45A/233/13 L-3160	1
16	A90A/233/13 L3570	Hydraulic hose A90A/233/13 L-3570	1
17	A90A/233/13 L3570	Hydraulic hose A90A/233/13 L-3570	1
18	24ZWNE13	EURO valve-plug cap 13 (green, yellow, blue, red)	2

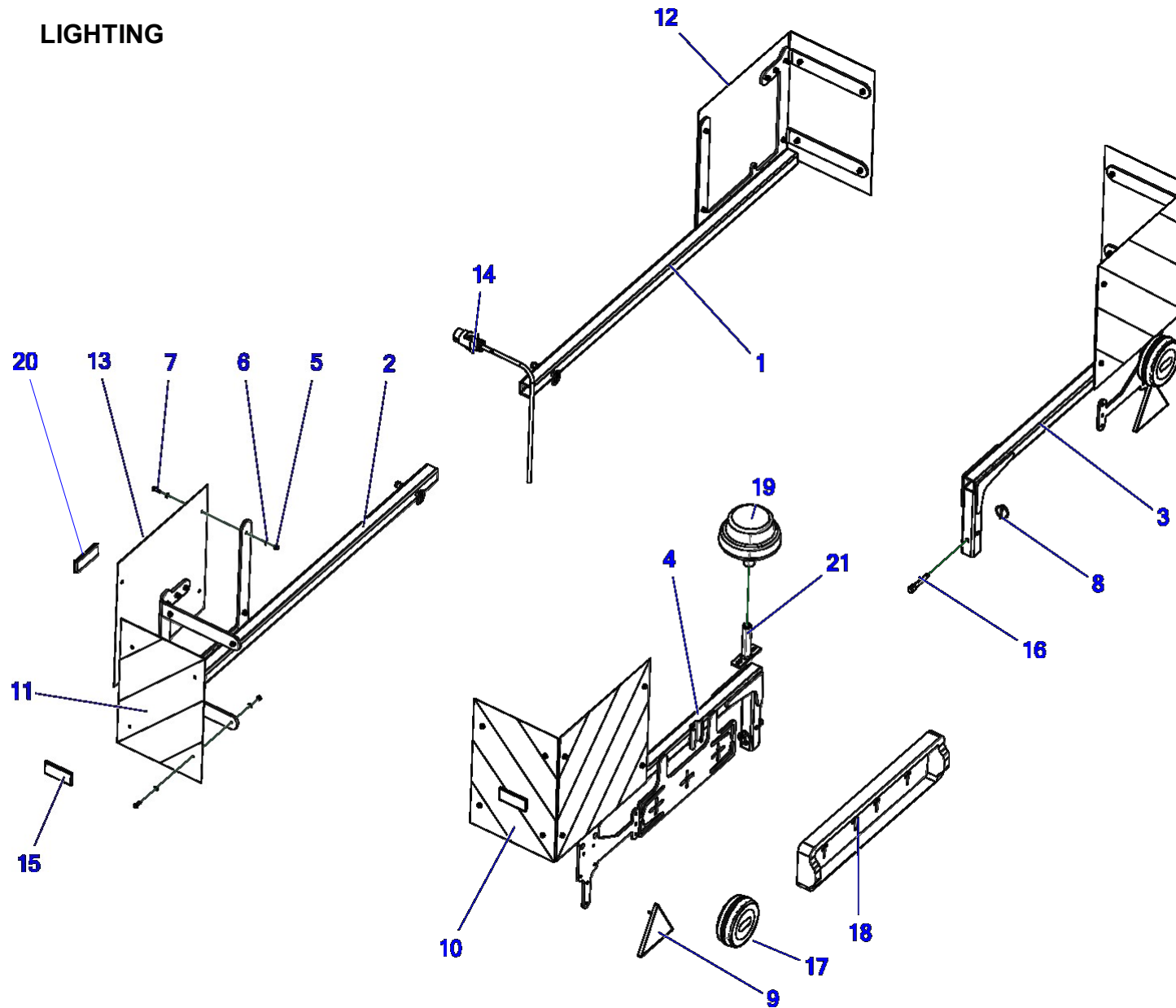
11. DUAL-CIRCUIT PNEUMATIC BRAKE SYSTEM



No.	Index	Name	Quantity
1	POD-OGL-000630	Trailer brake valve with a KNORR brake release	1
2	POD-OGL-000994	HALDEX braking force controller, 2-scale	1
3	POD-OGL-000619	Spiral cable red HALDEX	1
4	POD-OGL-000620	Spiral cable yellow HALDEX	1
5	POD-OGL-000846	Air tank 60L Fi 310 KNORR	1
6	POD-OGL-000785	Air tank clamp 60L Fi 310 KNORR	2
7	POD-OGL-000624	Conductor connector red front HALDEX	1
8	POD-OGL-000625	Conductor connector yellow front HALDEX	1
9	POD-OGL-000573	Pneumatic connector holder	2
10	POD-PZŁ-000009	Pneumatic straight coupling M16-M18	2
11	POD-PZŁ-000037	M22 Pneumatic plug	2
12	POD-PZŁ-000086	Pneumatic bulkhead coupling z.M22/z.M22/w.M16	2
13	POD-PZŁ-000063	Pneumatic bulkhead coupling M16x1.5/M22x1.5/M16x1.5 int.	1
14	POD-PZŁ-000016	Pneumatic elbow M22-12x1.5	1
15	POD-OGL-000634	KNORR drain valve M22x1.5	1
16	POD-OGL-000069	Pneumatic control connector M22x1.5	1
17	POD-PZŁ-000056	Pneumatic coupling ZŁW-15/M22-kol	1

No.	Index	Name	Quantity
18	POD-OGL-000850	KNORR relay valve	1
19	POD-PZŁ-000056	Pneumatic coupling ZŁW-15/M22-kol	2
20	POD-PZŁ-000008	Pneumatic straight coupling M22-15x1.5	1
21	POD-PZŁ-000006	Pneumatic straight coupling M16-12x1.5	1
22	POD-OGL-000452	Diaphragm actuator 24+ HALDEX short forks	2
23	POD-PZŁ-000089	Pneumatic coupling ZŁW-15/M16-kol	1
24	POD-PZŁ-000036	M16 Pneumatic plug	2
25	24U16	Copper washer fi16x22x1.5	2
26	POD-PZŁ-000090	Pneumatic coupling ZŁW-15/HPM16/M16 T-piece	1
27	U910 07.00.01	Relay valve support	1
28	23NS8OC	Nut, self-locking m8gal 82175 8 82175 8	4
29	23P8OOC	Round washer 8gal 82005 82005	8
30	23S8/25OC8.8	Screw 8x25gal 8.8 82105 82105	4
31	POD-TSZ-000051	Tekalan tube DN15x1.5	2
32	POD-TSZ-000050	Tekalan tube DN12x1.5	1
33	POD-TSZ-000051	Tekalan tube DN15x1.5	1

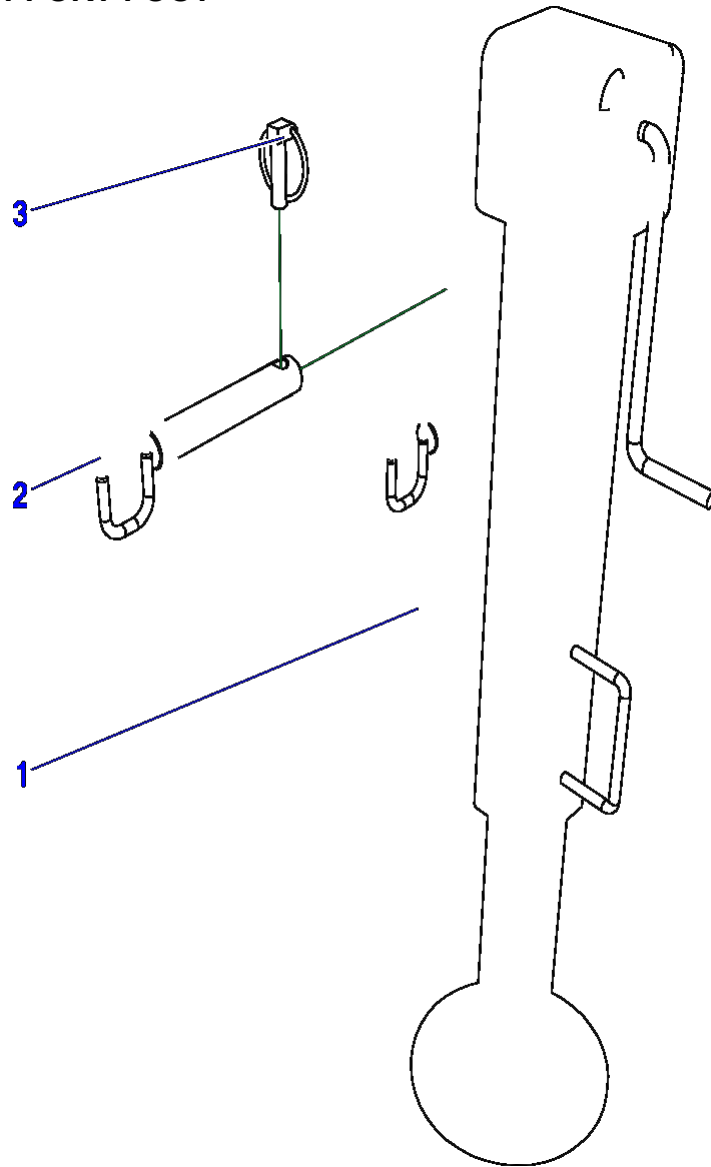
12. LIGHTING



No.	Index	Name	Quantity
1	U910 08.01.00	Plate support right front	1
2	U910 08.02.00	Plate support left front	1
3	U910 08.03.00	Plate support right rear	1
4	U910 08.04.00	Plate support left rear	1
5	23NS6OC	Nut, self-locking m6gal 82175 8 82175 8	44
6	23P6OOC	Round washer 6gal 82005 82005	76
7	23S6/20	Screw 6x20gal 8.8 82105 82105 8.8	32
8	POD-ELZ-000444	Cotter pin with a ring 4.5mm	4
9	26TO	Reflective triangle	2
10	POD-ELK-000295	Warning plate white and red 423mm x 282mm left	2
11	POD-ELK-000294	Warning plate white and red 423mm x 282mm right	2
12	POD-ELK-000293	Warning plate white and red 423mm x 423mm left	2
13	POD-ELK-000292	Warning plate white and red 423mm x 423mm right	2
14	POD-ELK-000391	U910 tool carrier wiring harness	1
15	DOB-035Z	Rectangular reflector, yellow, on adhesive	4

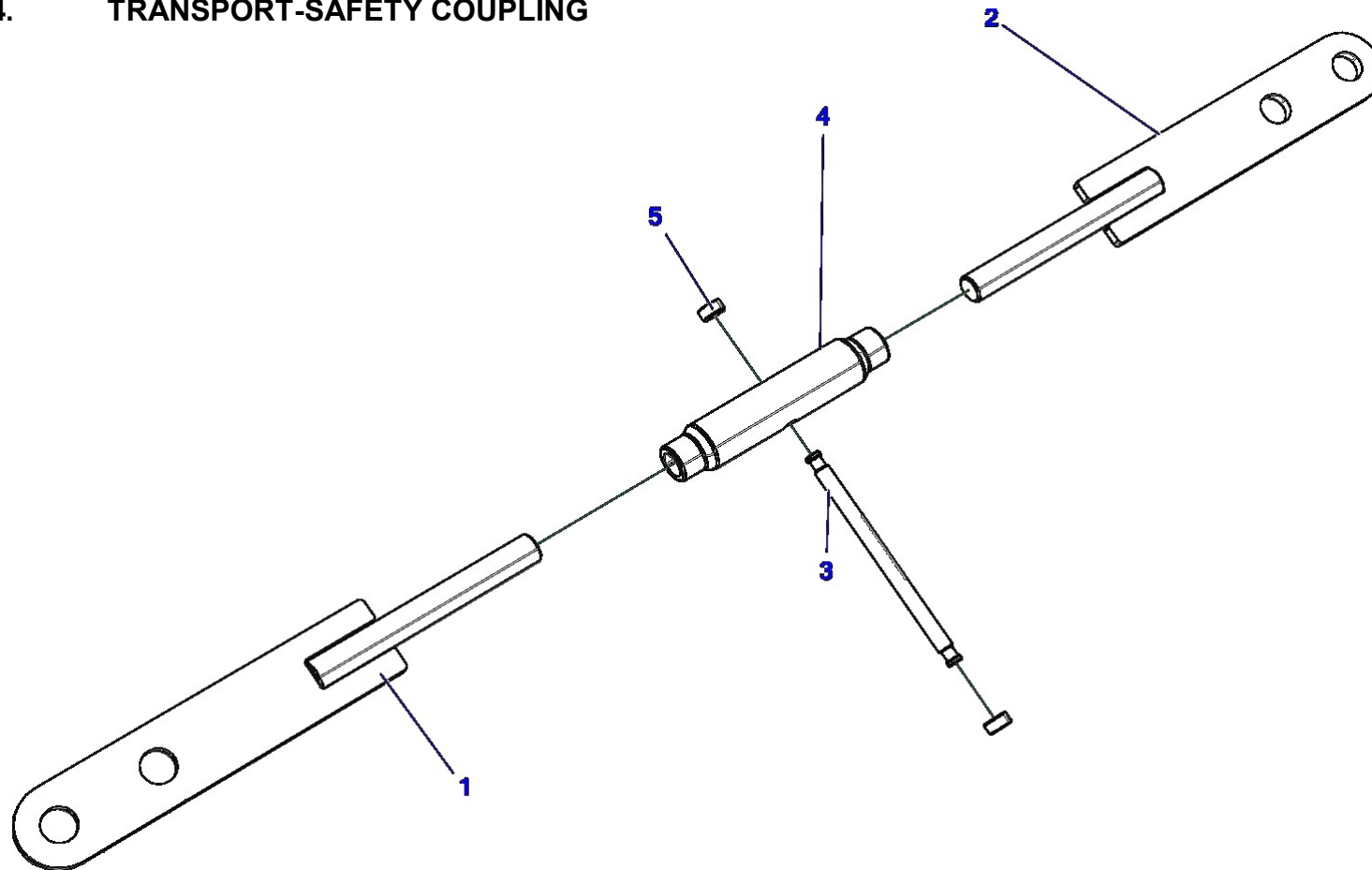
No.	Index	Name	Quantity
16	U910 08.00.01	Lighting support pin	4
17	POD-ELK-000413	Lamp FT-110 LED 12 / 24V, round, with 1 m cable	2
18	POD-ELK-000409	Registration plate frame with lighting	1
19	POD-ELK-000439	Beacon FT-100 DF LED PI 5907556009028	1
20	POD-ELK-000440	White clearance lamp MD-013 LED	2
21	POD-ELZ-000420	Beacon lamp fixing to the hella straight mandrel	1

13. SUPPORT FOOT



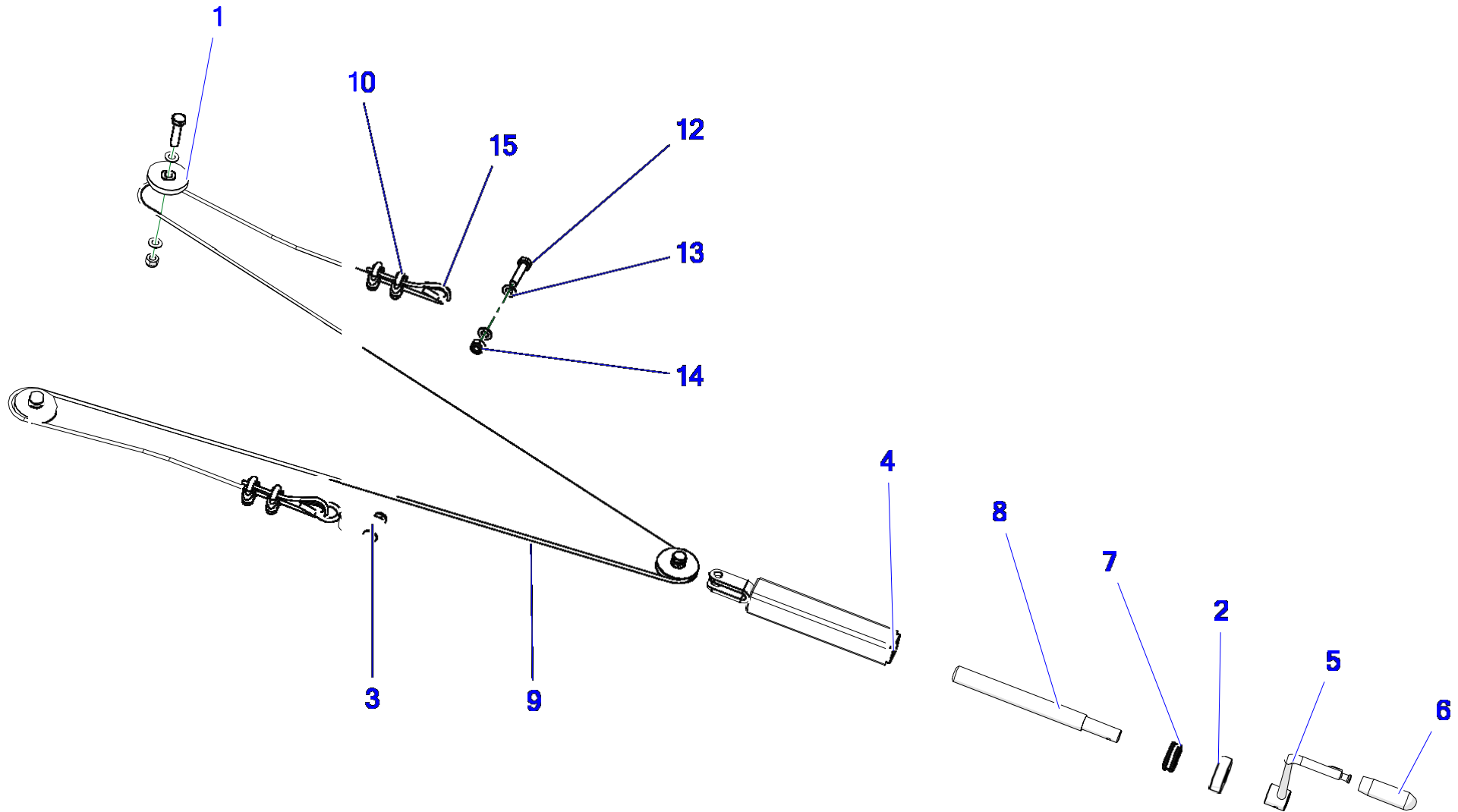
No.	Index	Name	Quantity
1	U910 09.01.00	Support foot, welded	1
2	U910 09.02.00	Support foot pin	2
3	23PR11	Cotter pin with a ring 11	2

14. TRANSPORT-SAFETY COUPLING



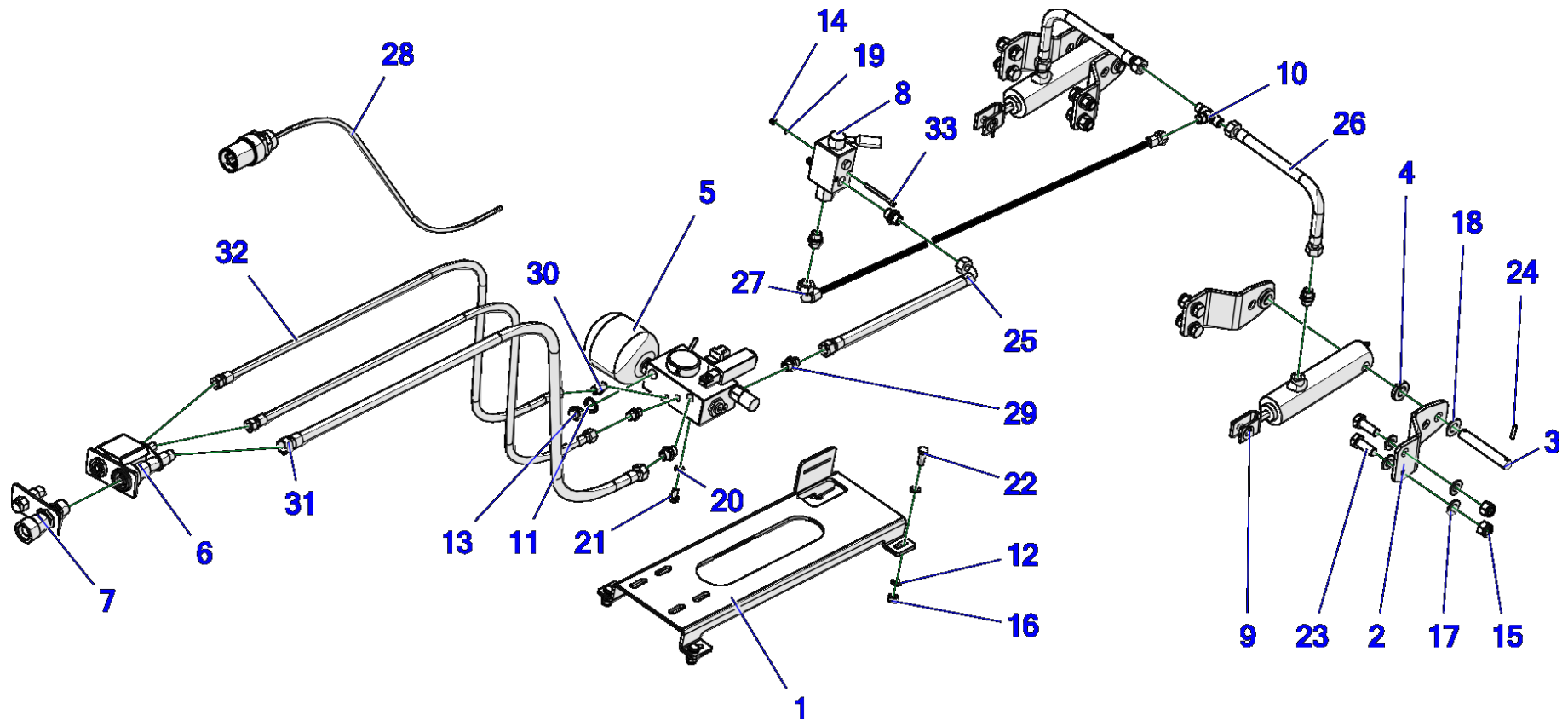
No.	Index	Name	Quantity
1	U910 10.01.00	Eyelet 1	1
2	U910 10.02.00	Eyelet 2	1
3	U-710 12.03.01.1	Coupling handle	1
4	POD-ELZ-000400	Pipe tensioner nut fi30 82268	1
5	POD-TSZ-000109	Unit rubber limiter	2

15. PARKING BRAKE



No.	Index	Name	Quantity
1	U910 11.00.01	Line pulley	3
2	U910 11.00.02	Bearing guard	1
3	U910 11.01.00	Cord holder	2
4	U910 11.02.00	Tensioning slide	1
5	U910 11.03.00	Brake handle	1
6	25RP	Feeder handle	1
7	25L51204	Bearing 51204	1
8	POD-ELZ-000514	Trapezoidal screw 24x5	1
9	23LS6	Cable 3.2m	1
10	POD-ELZ-000075	Cable clamp 10 mm	4
11	U910 11.00.00	Parking brake	1
12	23S10/45OC	Screw 10x45gal 8.8 82105 82105	5
13	23P10 82005	Round washer 10gal 82005 82005	10
14	23NS10OC	Nut, self-locking m10gal 82175 8 82175 8	5
15	POD-ELZ-000365	Rope thimble 6 mm	2

16. DUAL-CIRCUIT HYDRAULIC BRAKE SYSTEM



No.	Index	Name	Quantity
1	U910 12.01.00	Valve support	1
2	U910 12.00.01	Hydraulic actuator support	4
3	U910 12.00.02	Brake actuator pin	2
4	U910 02.00.11	TECAMID Spring washer	4
5	POD-HPZ-000265	Brakes 2 - automatic valve AVR + batt. 0.75L 70bar (21007157)	1
6	POD-HPZ-000264	Brakes 2 -DLC quick-coupling 205873/G60 (21007093)	1
7	POD-HPZ-000268	Brakes 2 -SLTA adapter for 1 circ.206115-(21007097)	1
8	POD-HPZ-000266-	Brakes 2 -manual regulator BPA-206120 (21007095)	1
9	POD-HPZ-000113	Brakes -actuator T730-900413 (21001465)	2
10	24KT18/18/18	T-coupling 18x18x18 12L	1
11	24U22	Copper washer fi22x28x1.5	1
12	23P10 82005	Round washer 10gal 82005	8
13	24K22/1.5	Plug M22x1,5	1
14	23NS6OC	Nut, self-locking m6gal 82175 8 82175 8	2
15	23NS16OC	Nut, self-locking m16gal 82175 8 82175 8	8
16	23NS10OC	Nut, self-locking m10gal 82175 8 82175 8	4
17	23P16OOC	Round washer 16gal 82005 82005	16

No.	Index	Name	Quantity
18	23P20OOC	Round washer 20gal 82005 82005	4
19	23P6OOC	Round washer 6gal 82005 82005	2
20	23P10SP	Spring washer 10.2gal 82008 82008	2
21	23S10/20OC 8.8	Screw 10x20gal 8.8 82105 82105	2
22	23S10/30OC 8.8	Screw 10x30gal 8.8 82105 82105	4
23	23S16/40 8.8OC	Screw 16x40gal 8.8 82105 82105	8
24	23K6/30	Resilient stud 6x30 DIN 1481	4
25	A90A/211/10 L-430	Hydraulic hose A90A/211/10 L-430	1
26	AA/211/10 L-300	Hydraulic hose AA/211/10 L-300	2
27	A90A/211/10 L-3400	Hydraulic hose A90A/211/10 L-3400	1
28	POD-HPZ-000267	Brakes 2 - electrical cable for valve AVC 3m -MO18202/3 (21007096)	1
29	POD-HKR-000040	Straight connection 18x18-1.5	6
30	POD-HKR-000031	Straight Connector M14x1.5 - M16x1.5	2
31	C11A/221/10 L-2250	Hydraulic hose C11A/221/10 L-2250	1
32	AC11/111/6 L-2250 1/4"	Hydraulic hose AC11/111/6 L-2250 1/4"	2
33	POD-ELZ-000925	Allen screw 6x70gal 8.8 82302	2



Since Metal-Fach Sp. z o.o. is continuously improving its products and adapting its commercial offer to fit the customers' needs, we reserve the right to modify our products without prior notice. Therefore, we advise contacting an authorised dealer or sales representative of Metal-Fach Sp. z o.o., prior to making your decision about purchase.

Metal-Fach Sp. z o.o. will not accept any complaints, regarding the data and pictures contained in the catalogue, as the presented offer shall not constitute an offer, within the meaning of the provisions of the Civil Code.

The pictures do not necessarily show standard accessories.

Original spare parts are available from authorised dealers, both in Poland and abroad, and also at the Metal-Fach retail outlet.

SERVICE

16-100 Sokółka, ul. Kresowa 62
Tel.: +48 85 711 07 80; Fax: +48 85 711 07 93
serwis@metalfach.com.pl

SALES

16-100 Sokółka, ul. Kresowa 62
Tel.: +48 85 711 07 78; Fax: +48 85 711 07 89
handel@metalfach.com.pl

SPARE PARTS WHOLESALE STORE

16-100 Sokółka, ul. Kresowa 62

Wholesale:

Tel.: +48 85 711 07 81; fax: +48 85 711 07 93
serwis@metalfach.com.pl

Retail sales

24/7 PHONE: +48 533 111 477
Tel.: +48 85 711 07 90